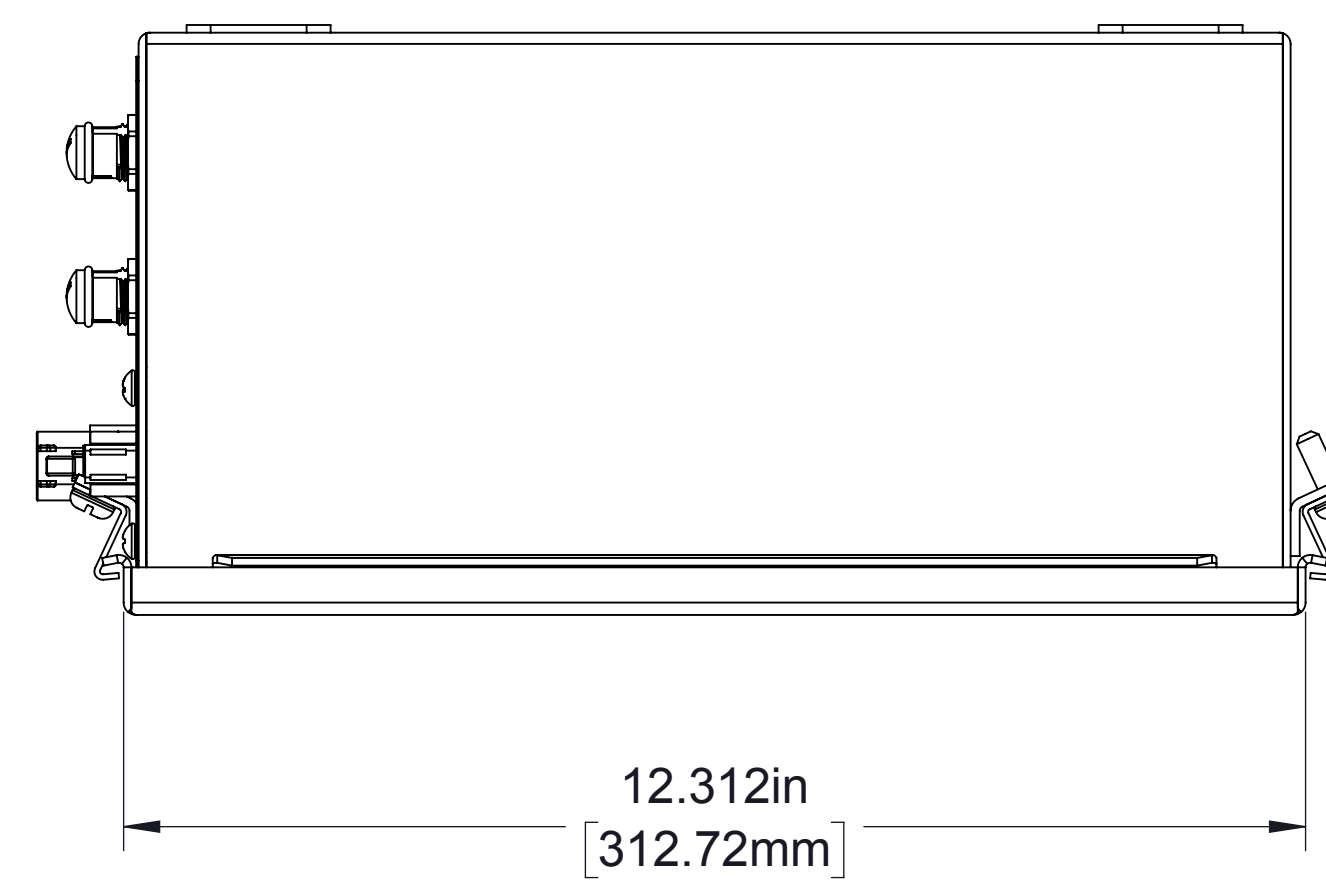
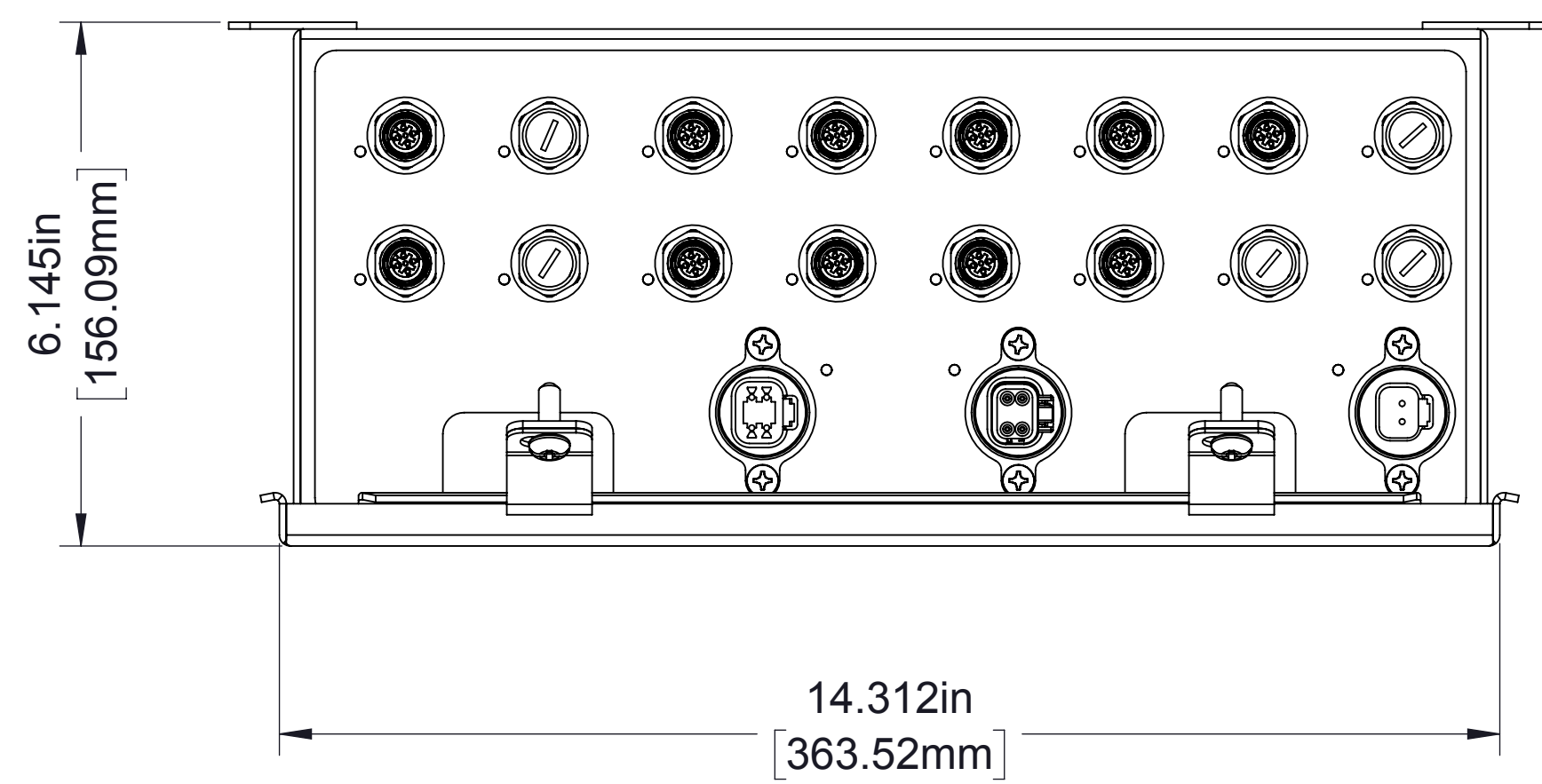
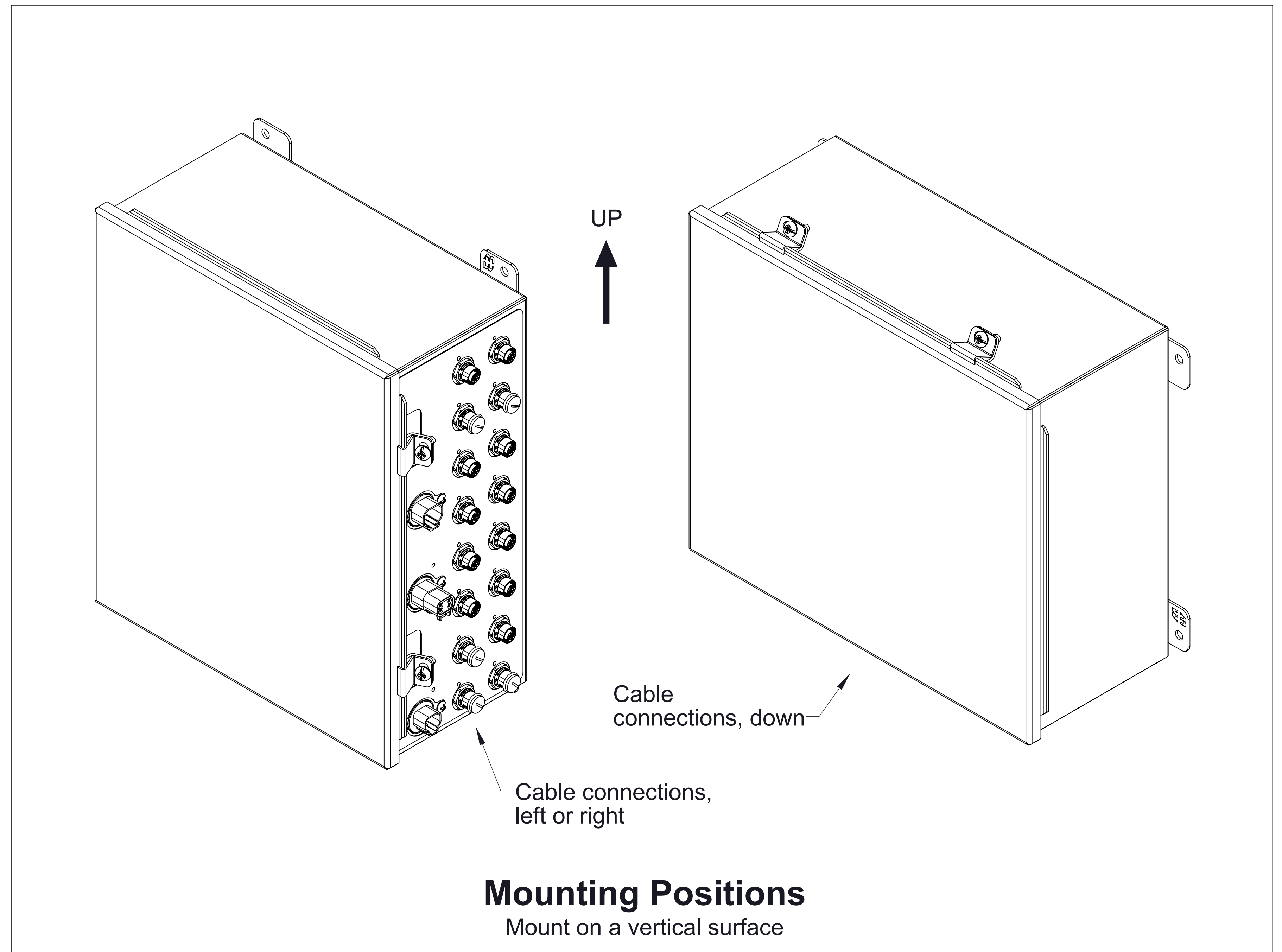
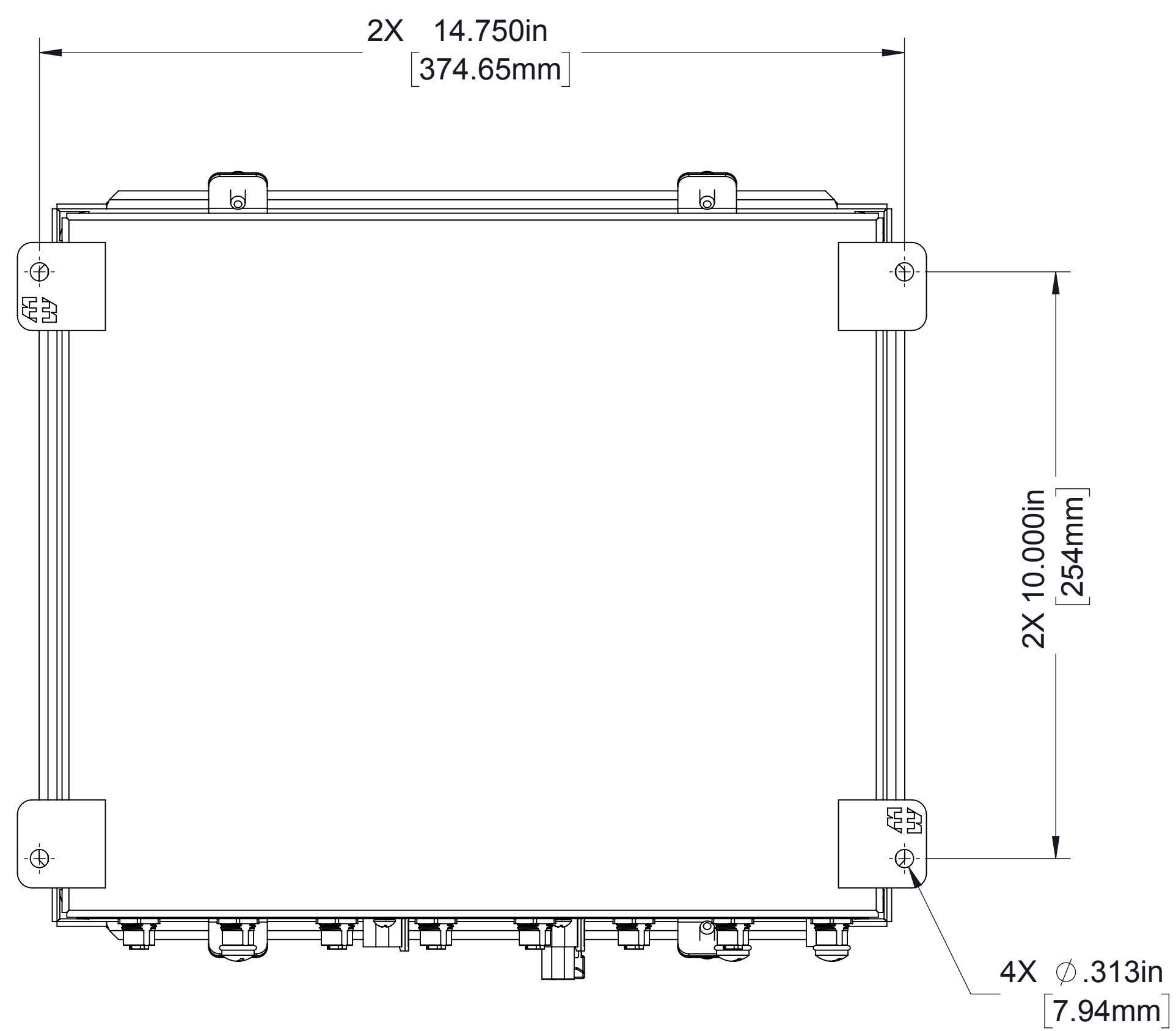


Aquis ULTRAFLOW Foam System Dimensional Drawings

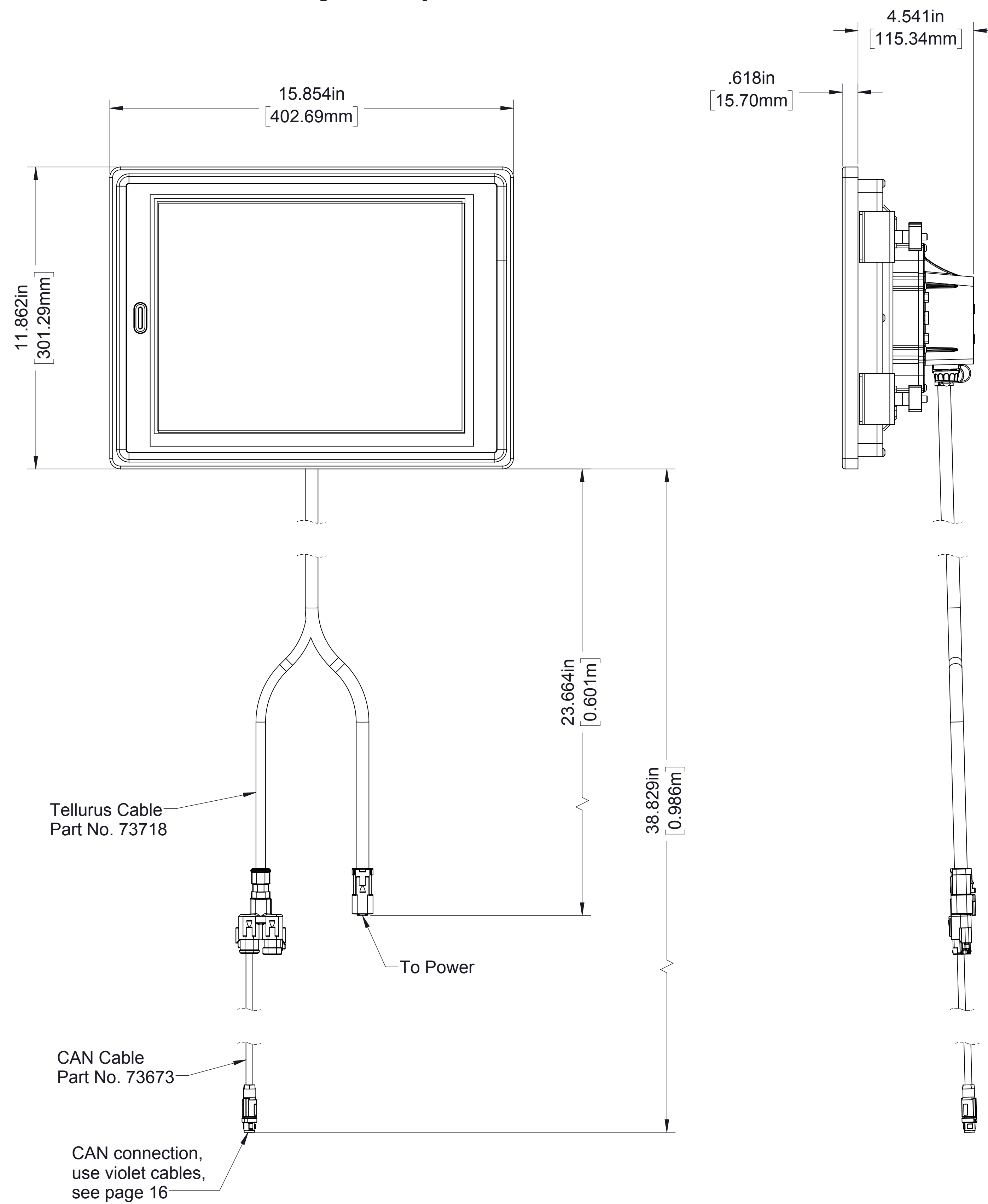
	Component	See Page	
Standard Components	Control Box	2	
	Tellurus Control Panel	3	
	Foam Concentrate System	Relief Valve	4
		Wye Strainer	
		Foam Concentrate Pump	
		Pressure Transducer	
		Foam Tank Level Switch	
		Water Pressure Transducer	
	Hydraulic System	Hydraulic Pump	6
		Hydraulic Motor	7
		Oil Reservoir	8
		Filter Head	9
		Oil Filter	
		Oil Filter Life Indicator	
		Heat Exchanger	
	Foam Concentrate Pump and Hydraulic Motor	11	
Valves	1 in Discharge Line Assembly	12	
	2 in Discharge Line Assembly	13	
	Supply Tank Fill	14	
	Priming Valve Assembly	15	
	Cables	16	
Optional Components	Valves	Concentrate Transfer	17
		1 in Low Flow By-Pass Assembly	18
	Manual Override Control Panel	19	
	Additional I/O Node	20	



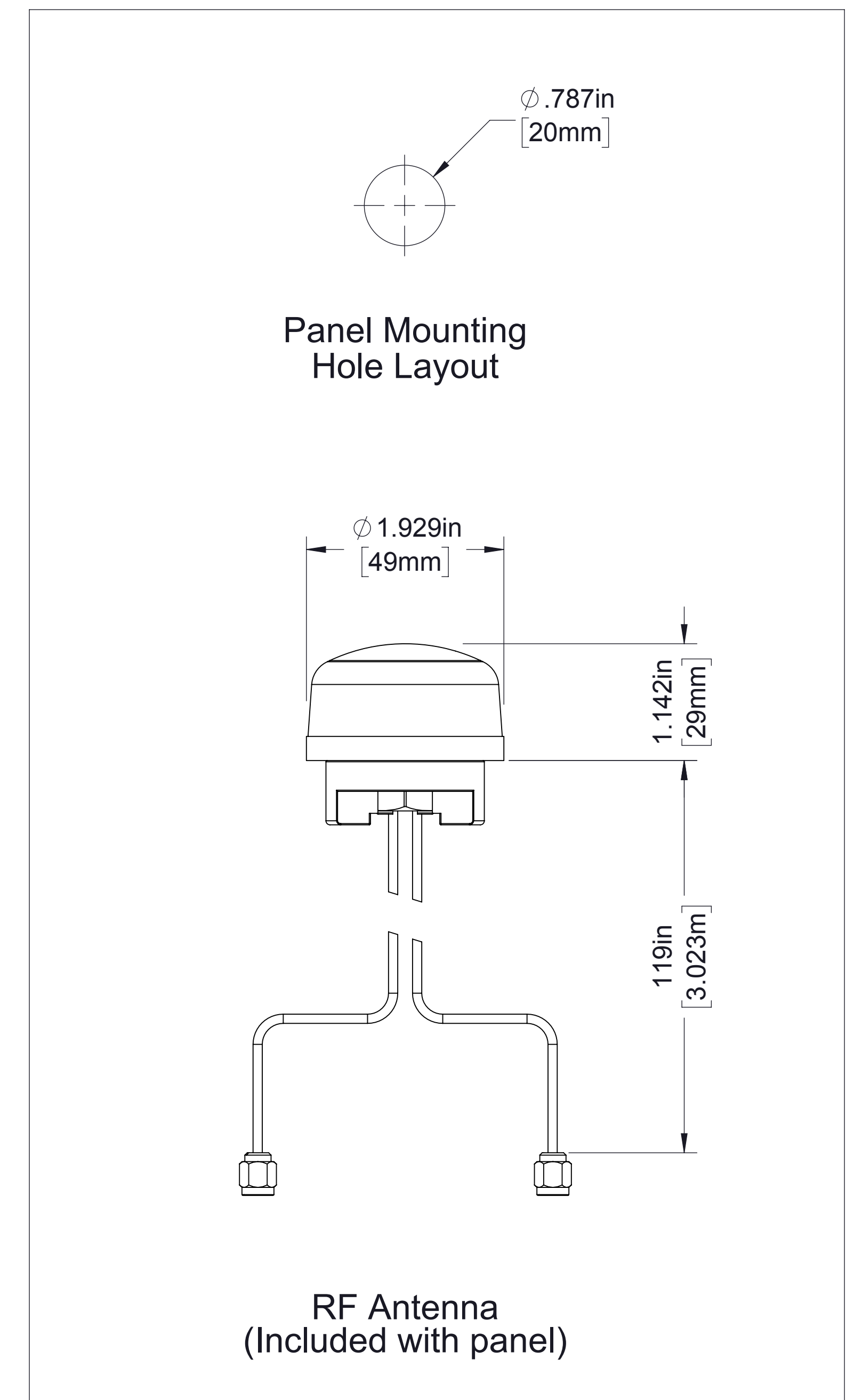
Control Box
Part No. 9472-1 or 9472-2

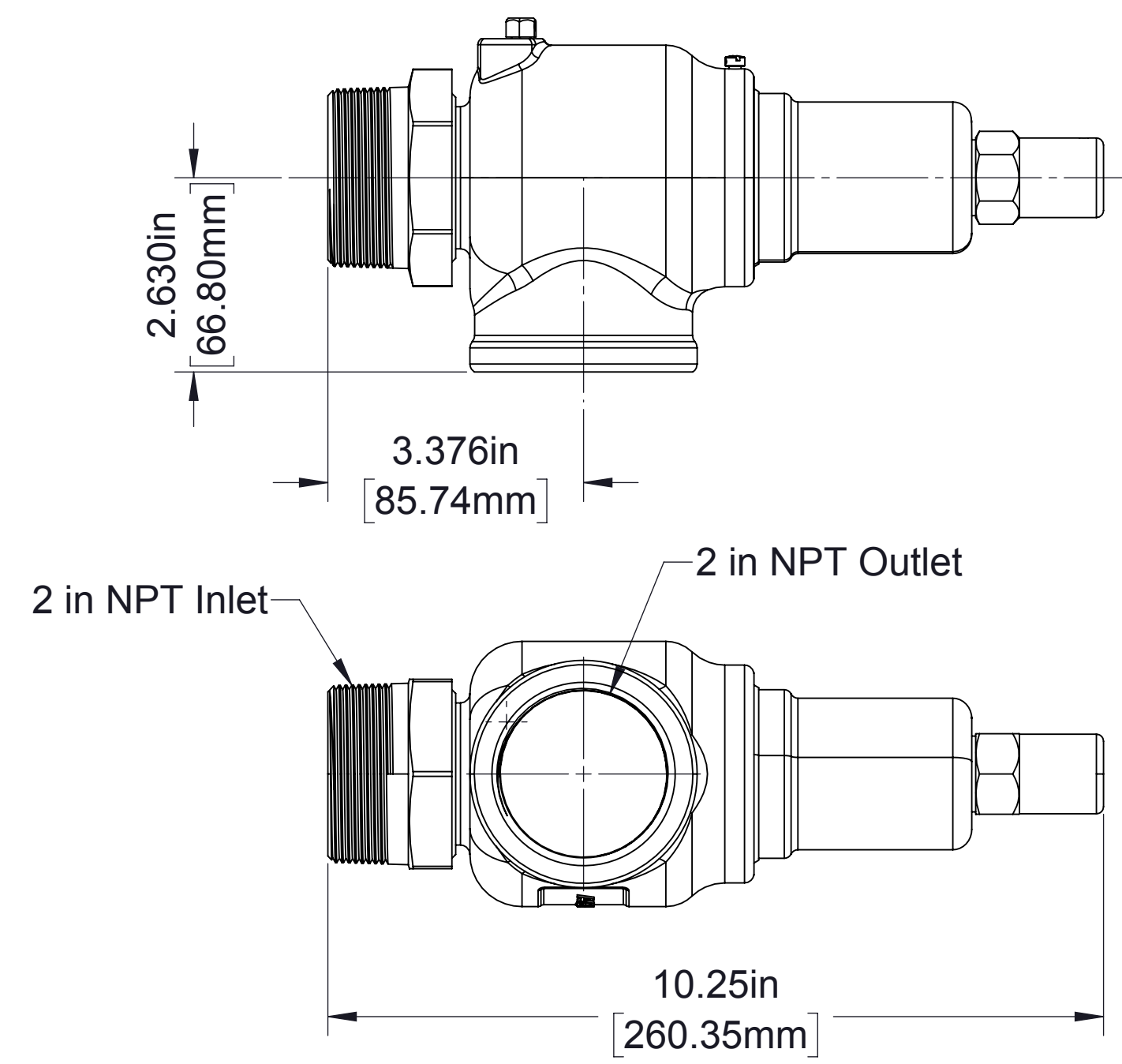


Panel Mounting Hole Layout

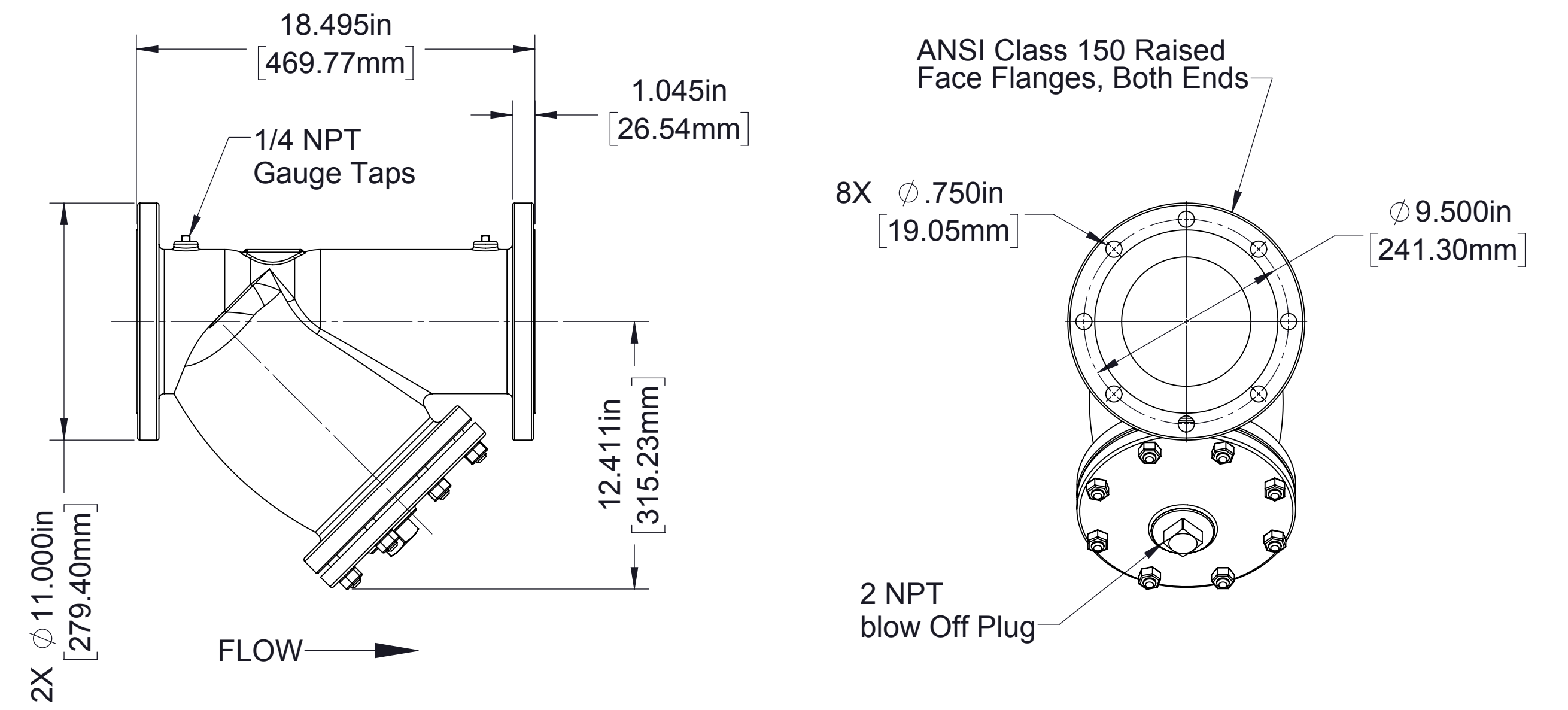


Tellurus Control Panel, 15 in
Part No. 83826

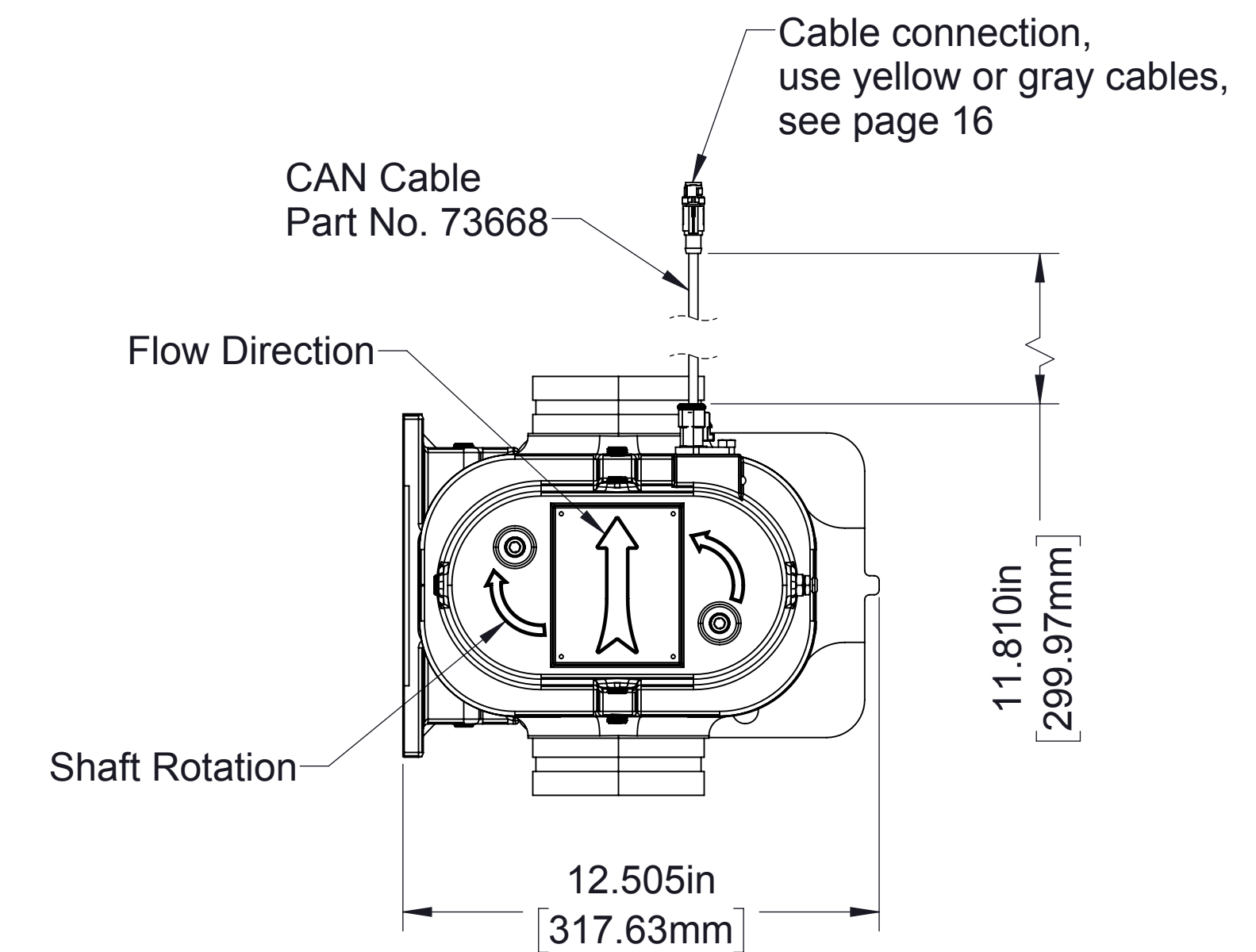
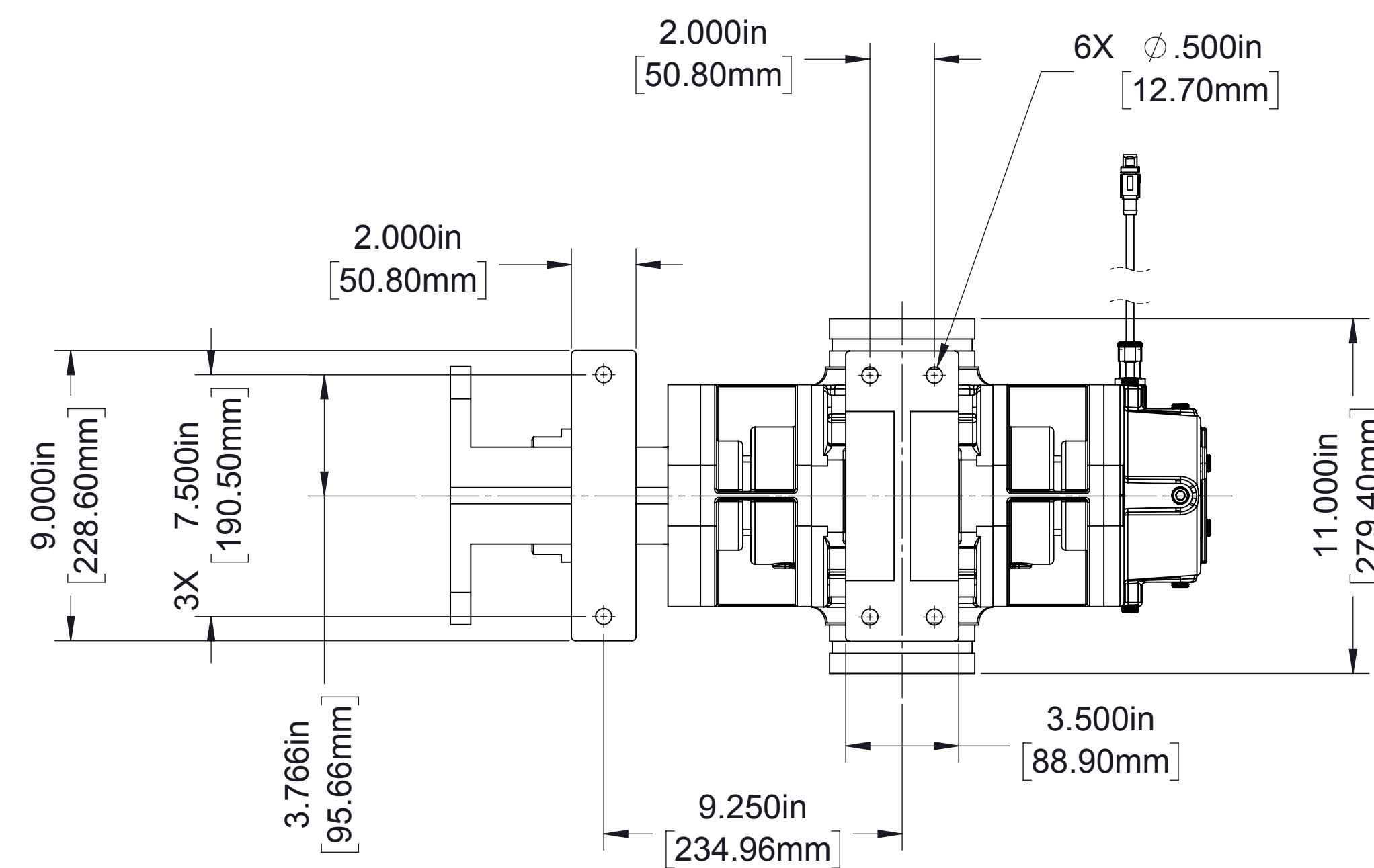
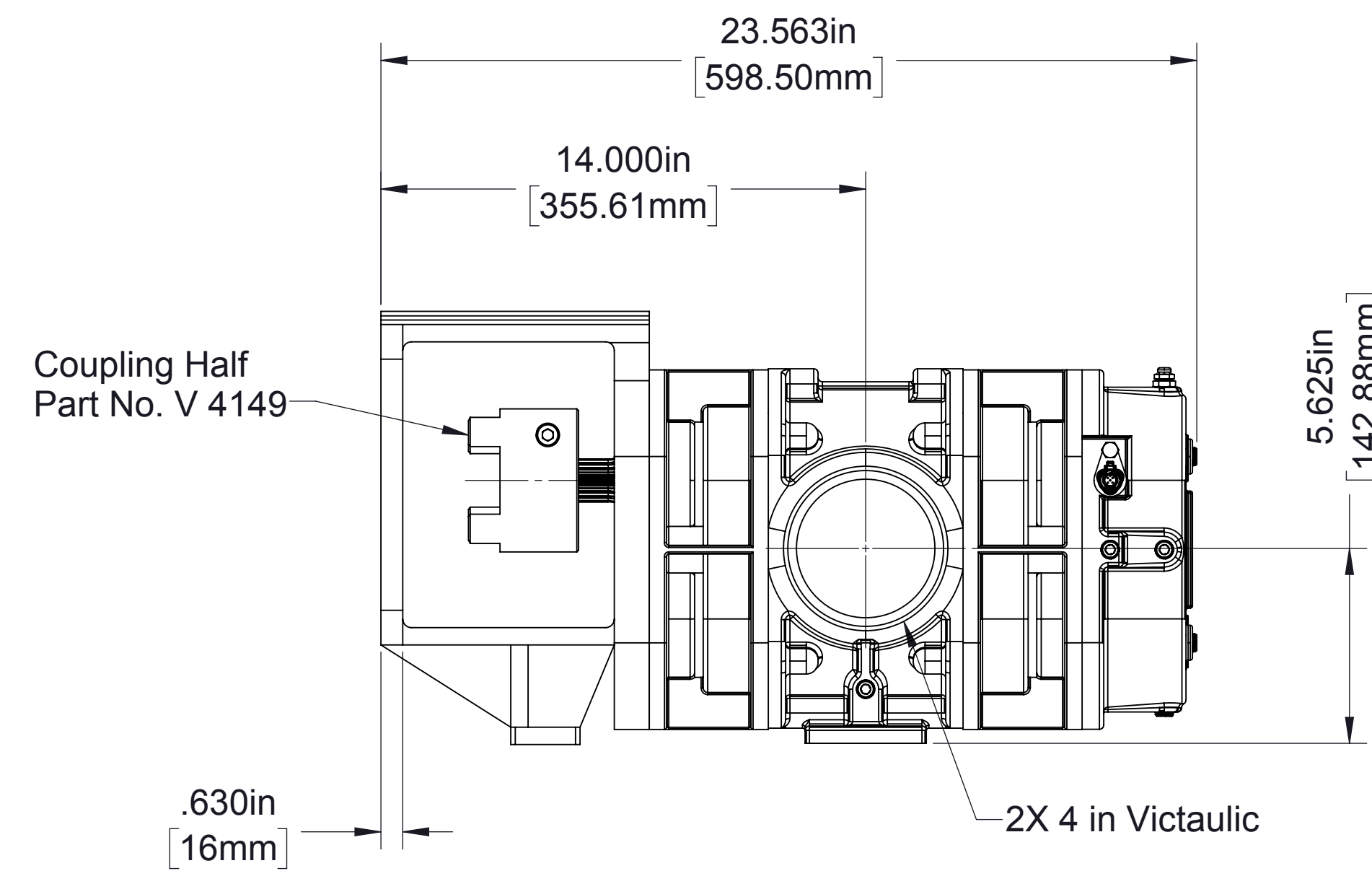
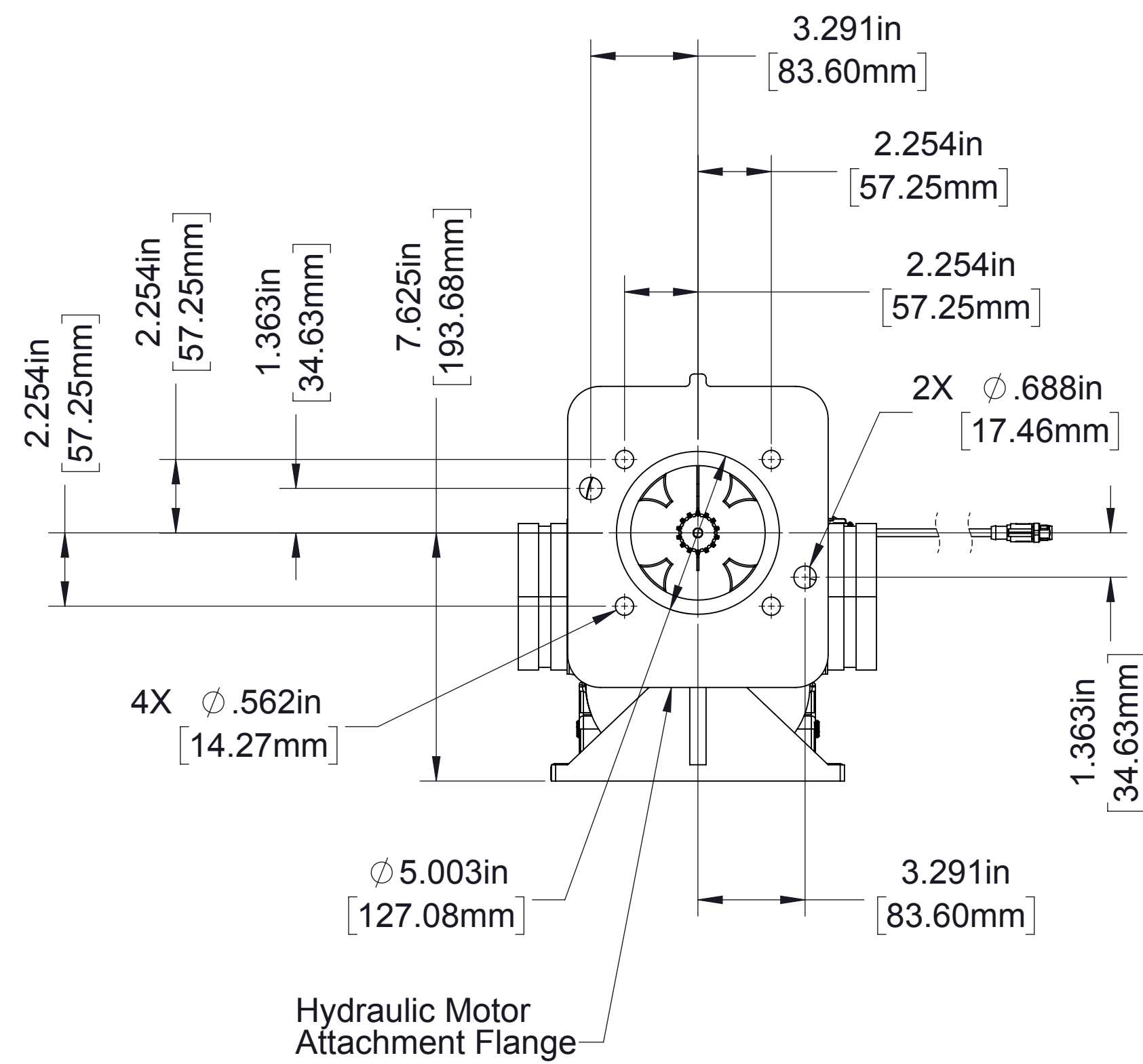




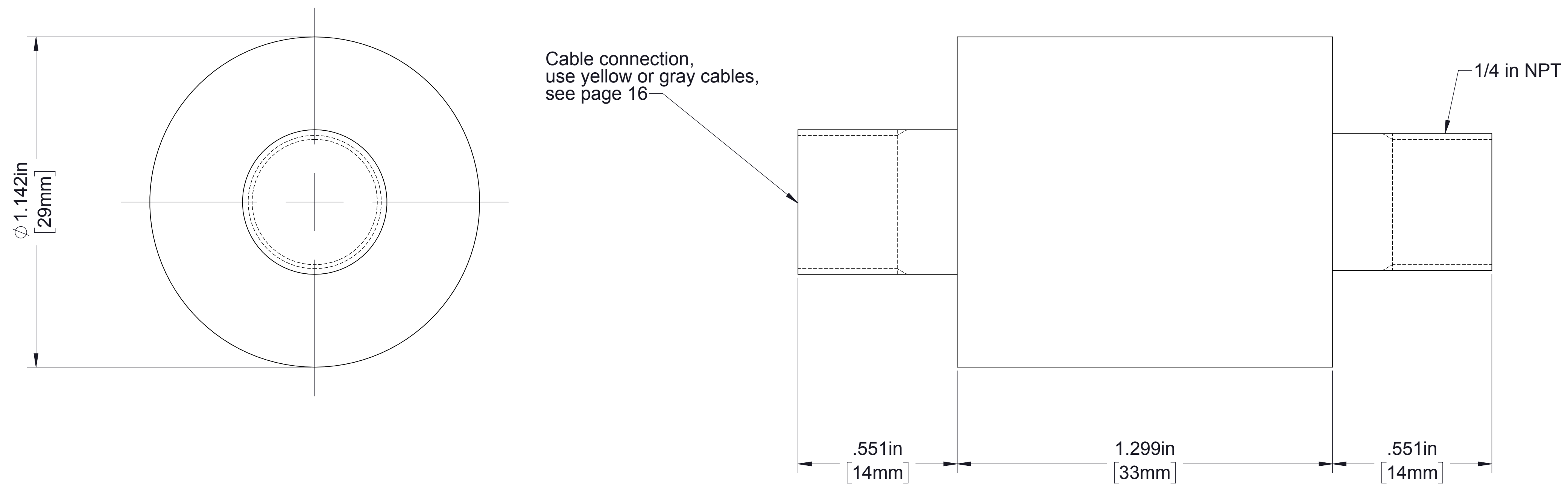
Relief Valve
Part No. V 4151



Wye Strainer
Part No. V 4177



Foam Concentrate Pump
Part No. 83803

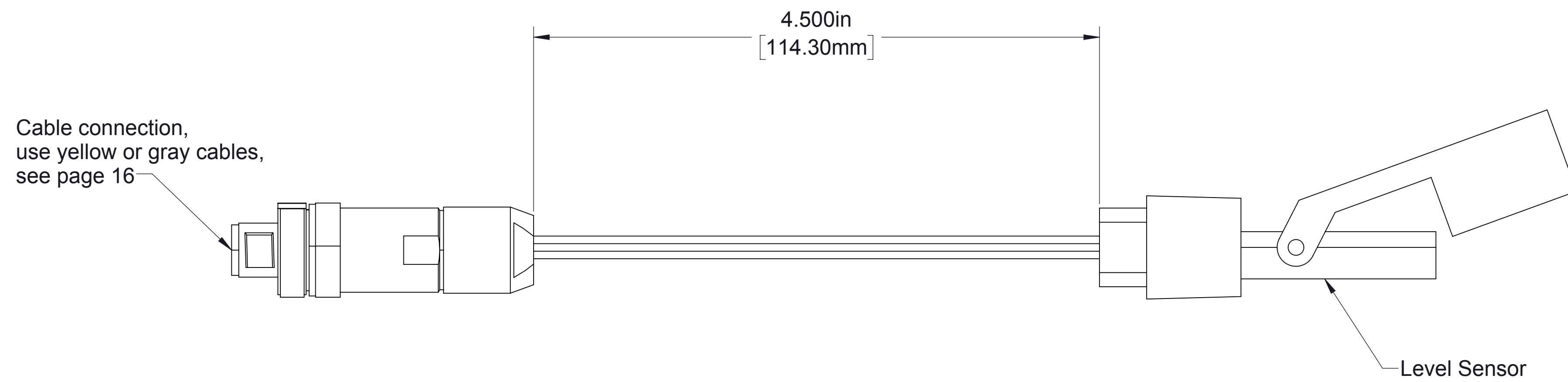


Cable connection,
use yellow or gray cables,
see page 16

1/4 in NPT

Pressure Transducer

Used for Foam Concentrate Pump Pressure
and Water Pump Pressure
Part No. V 4168

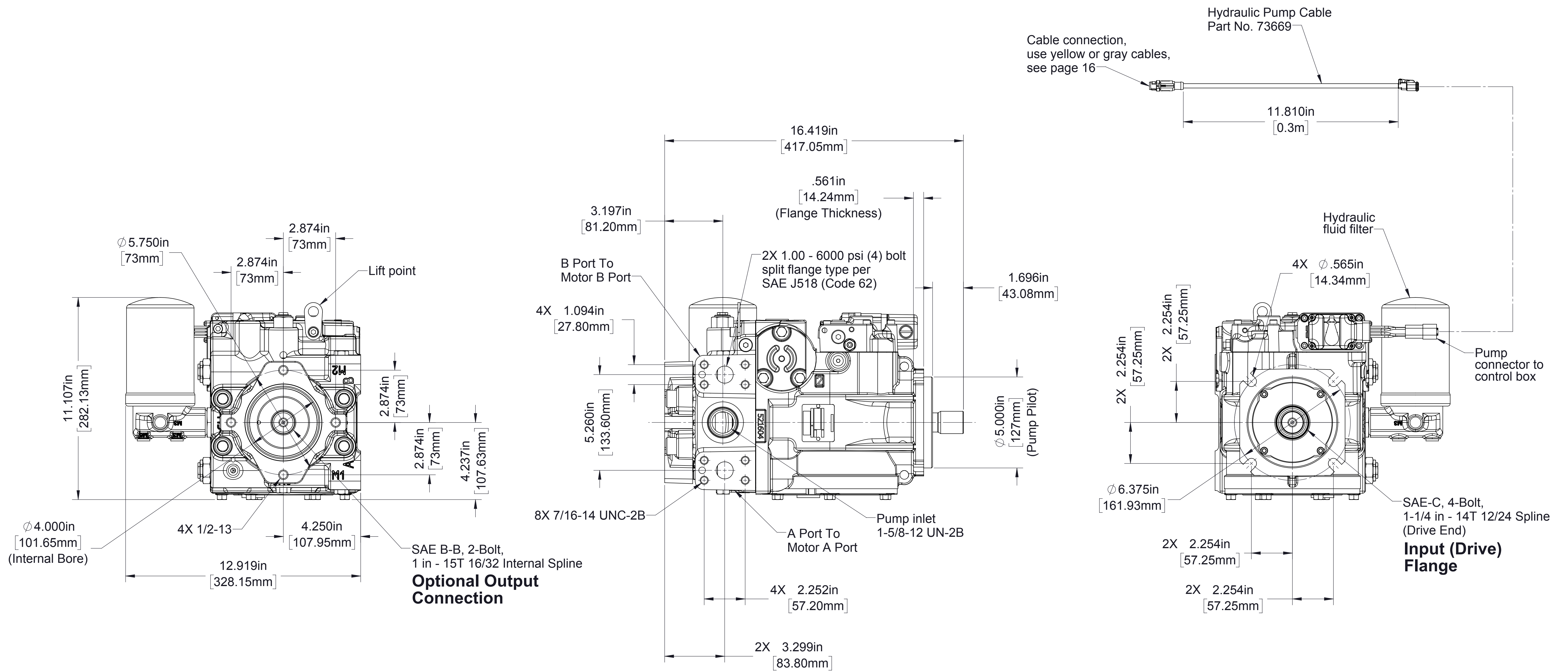


Cable connection,
use yellow or gray cables,
see page 16

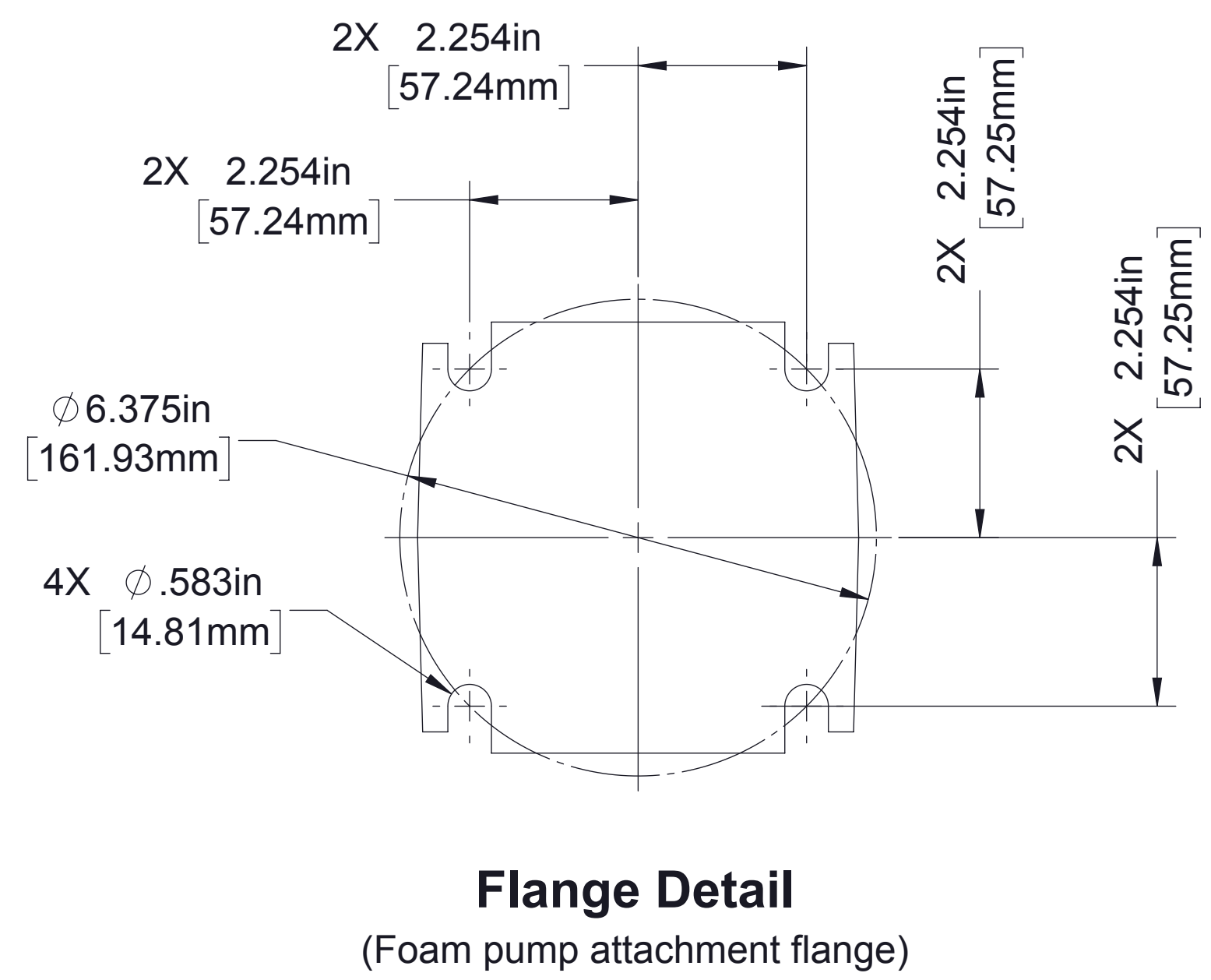
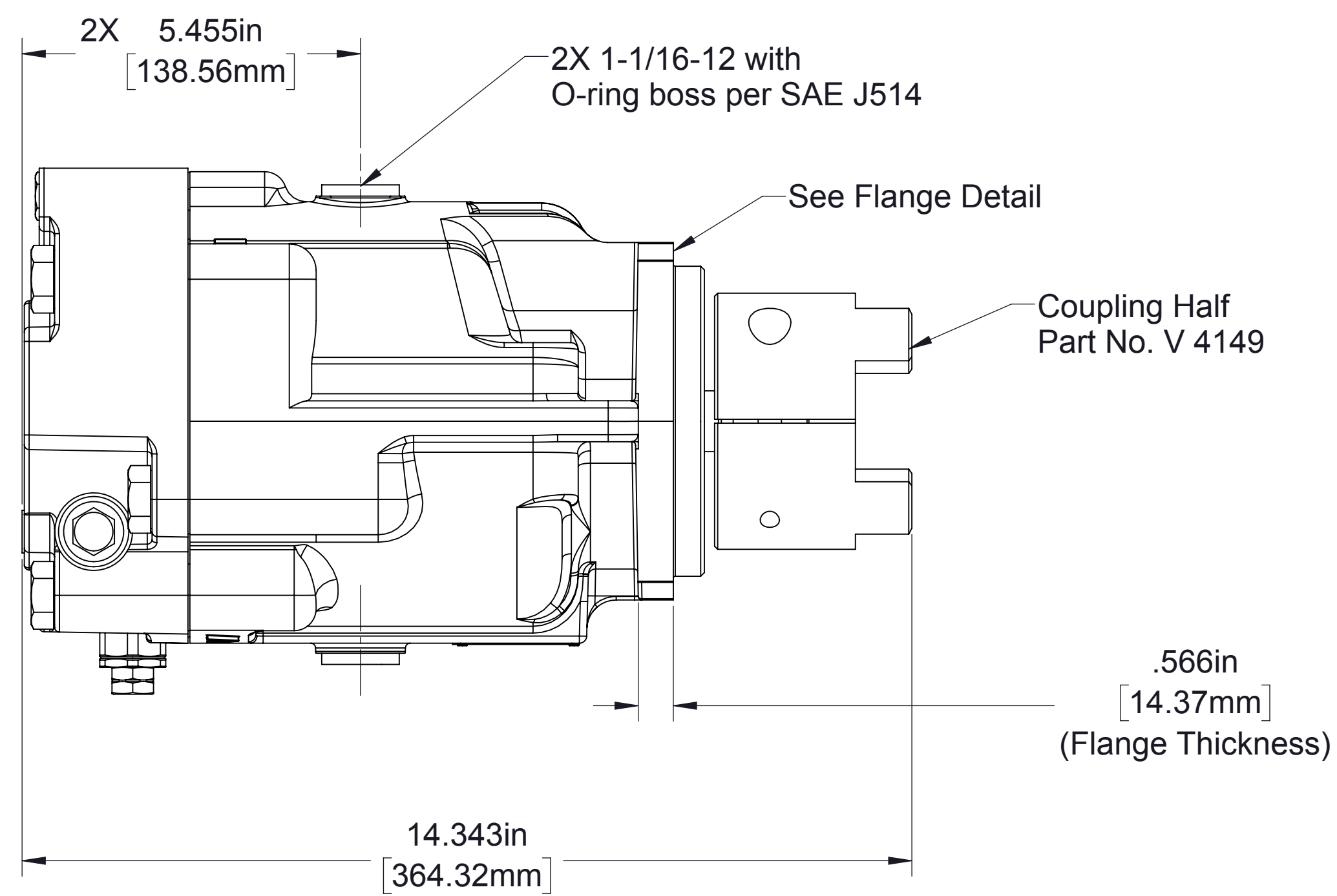
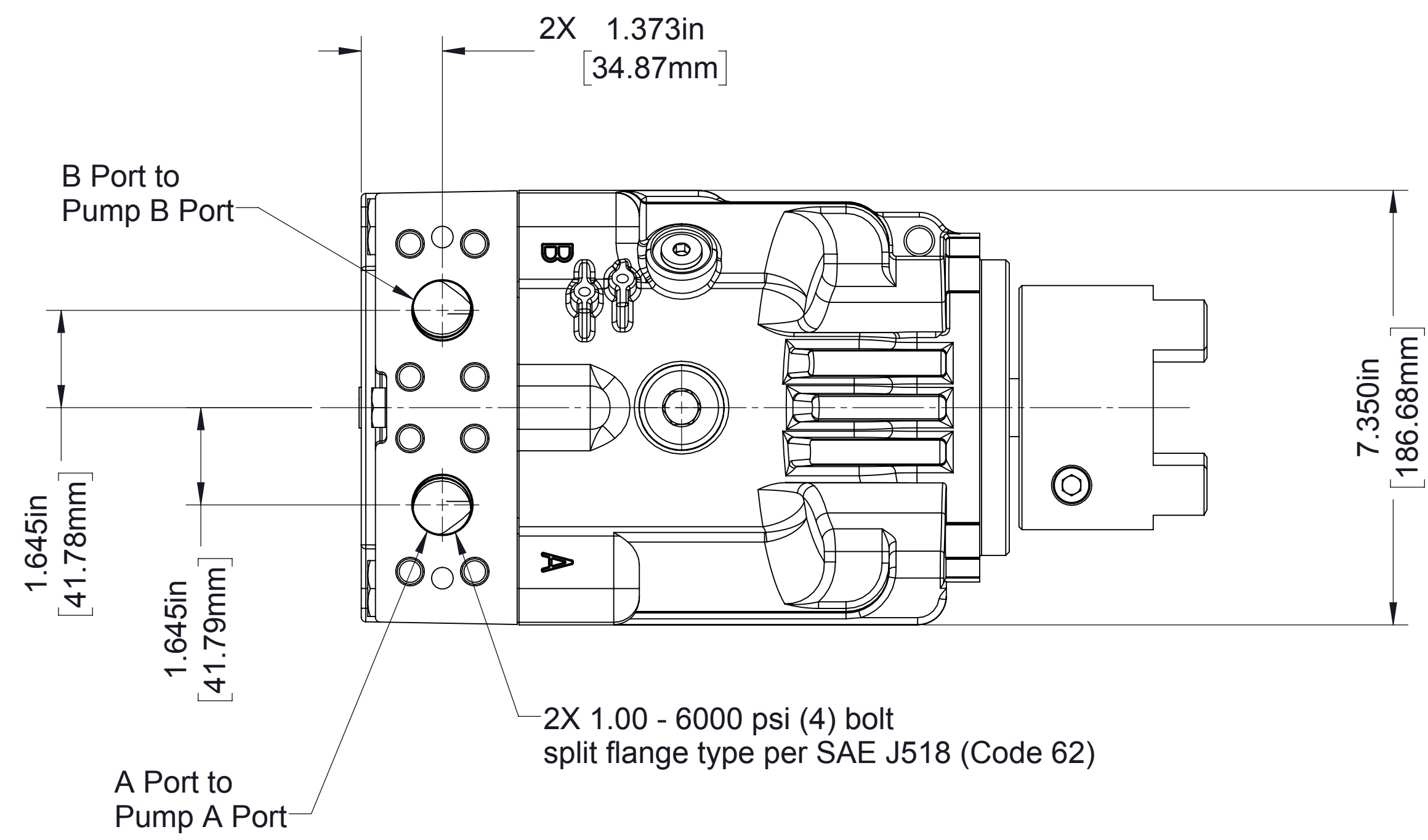
Level Sensor

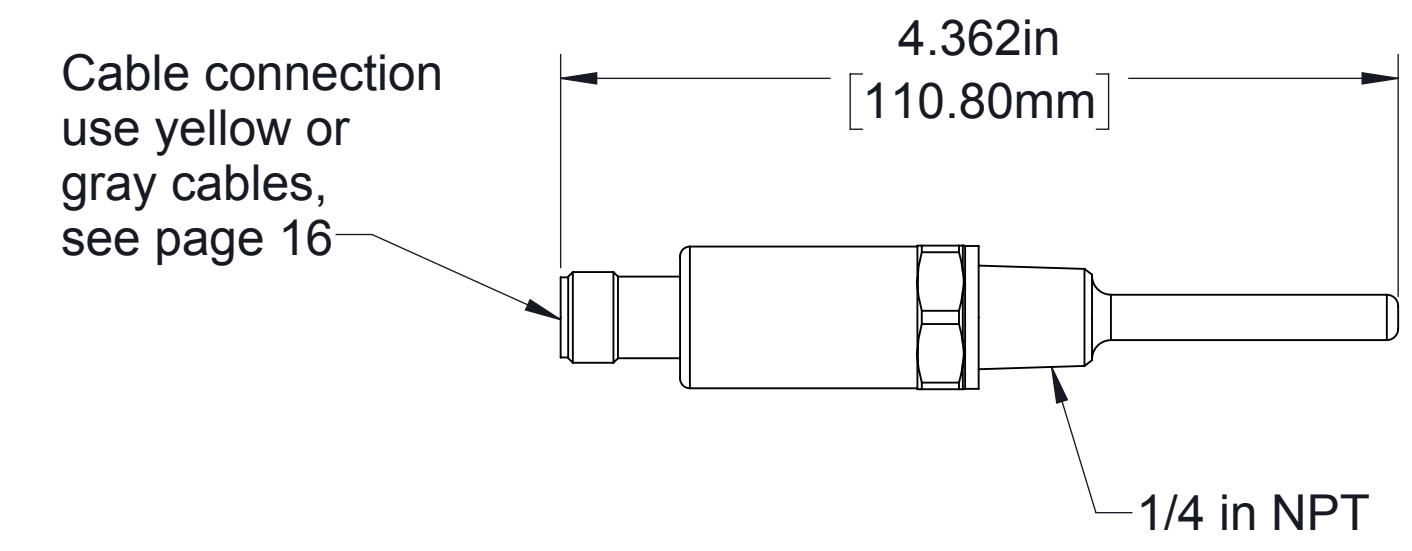
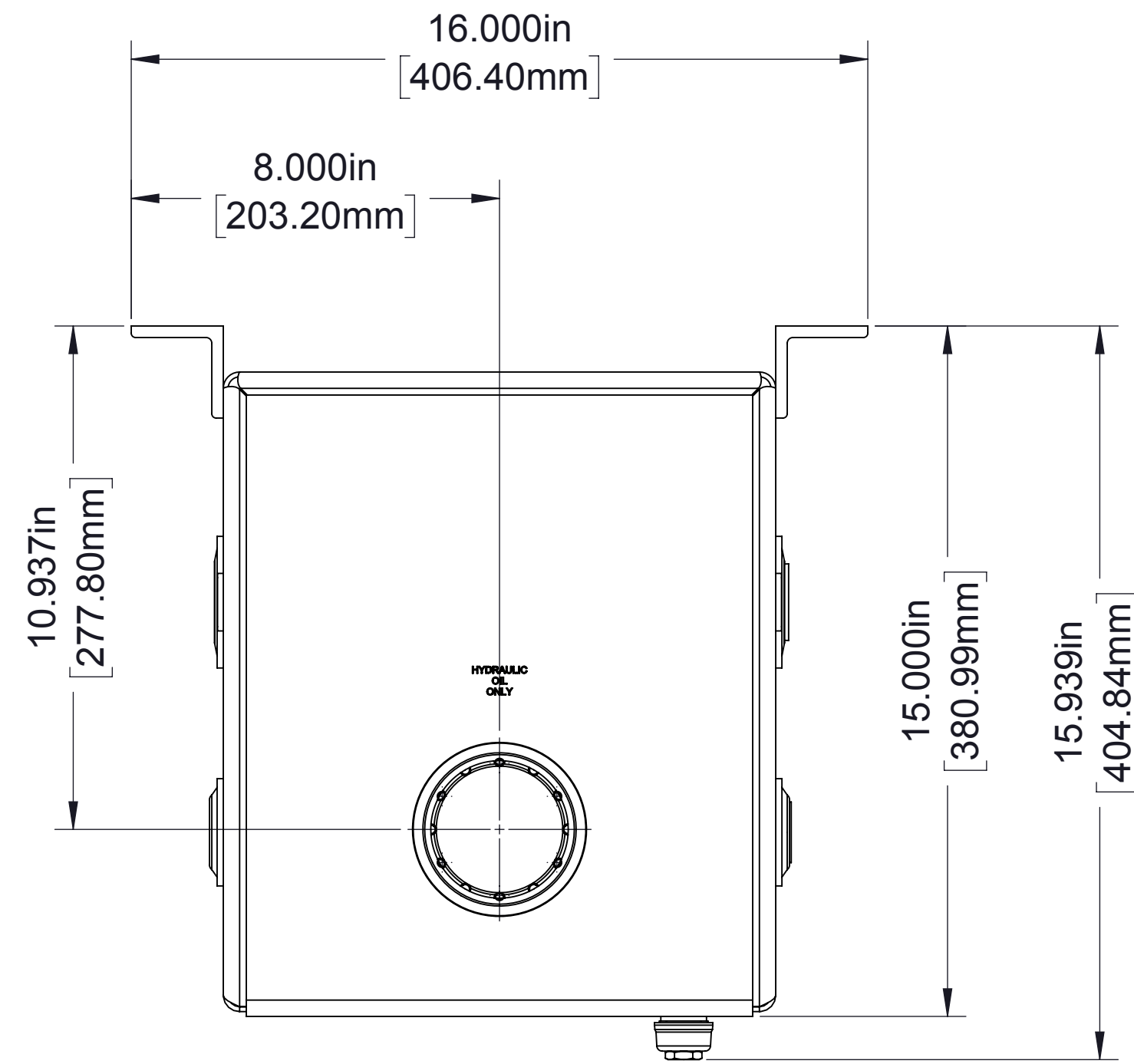
Foam Tank Level Switch

Part No. 53474

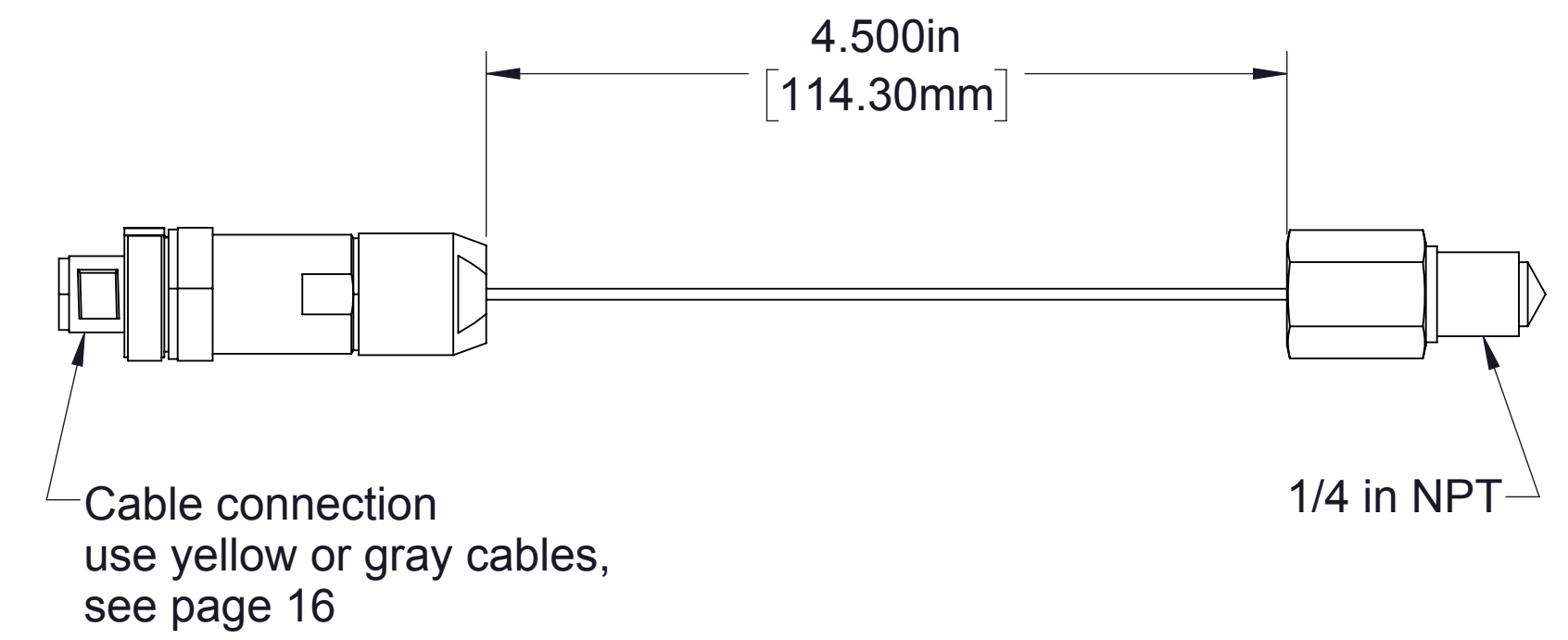


Hydraulic Pump
Part No. V 4140

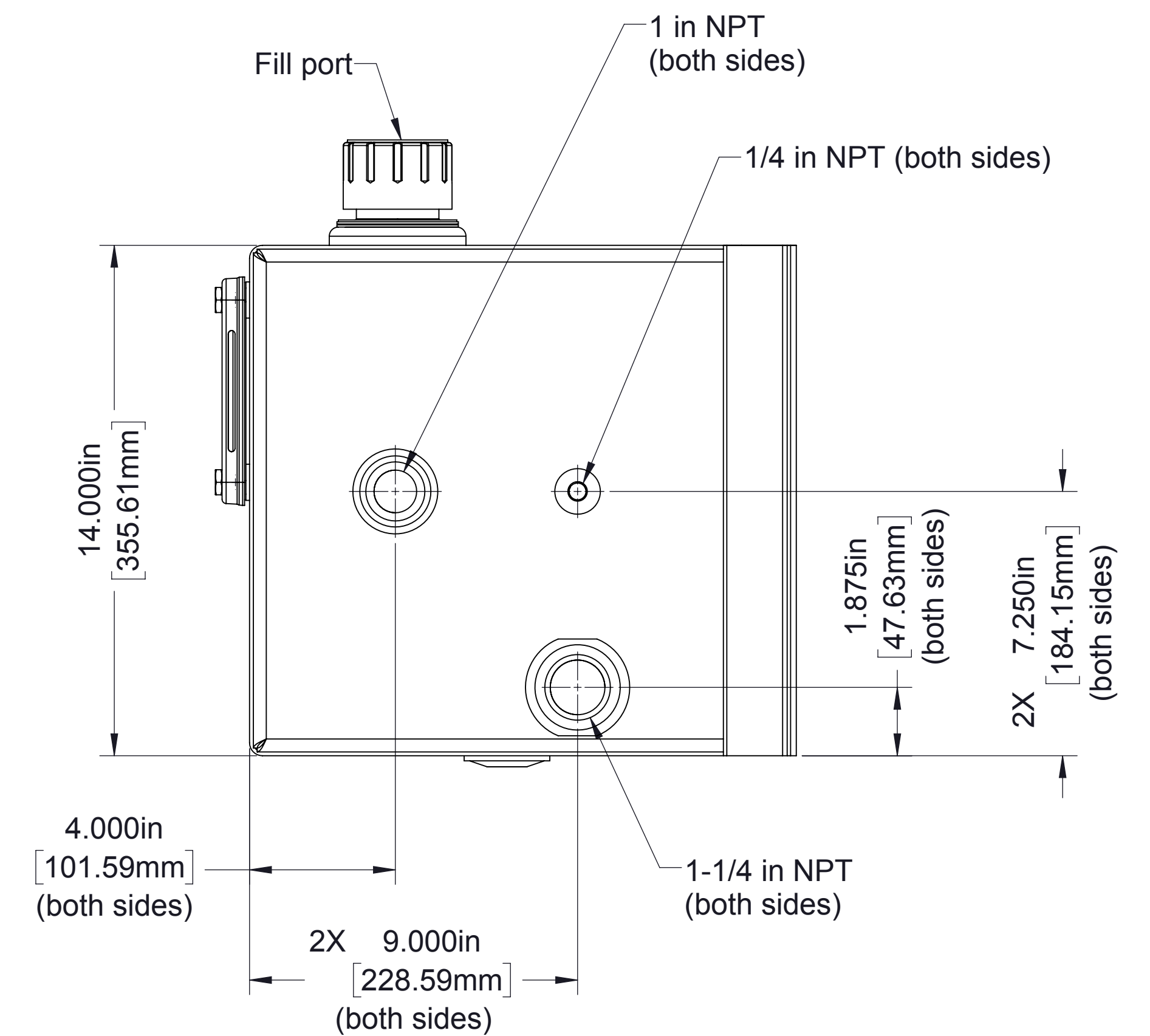
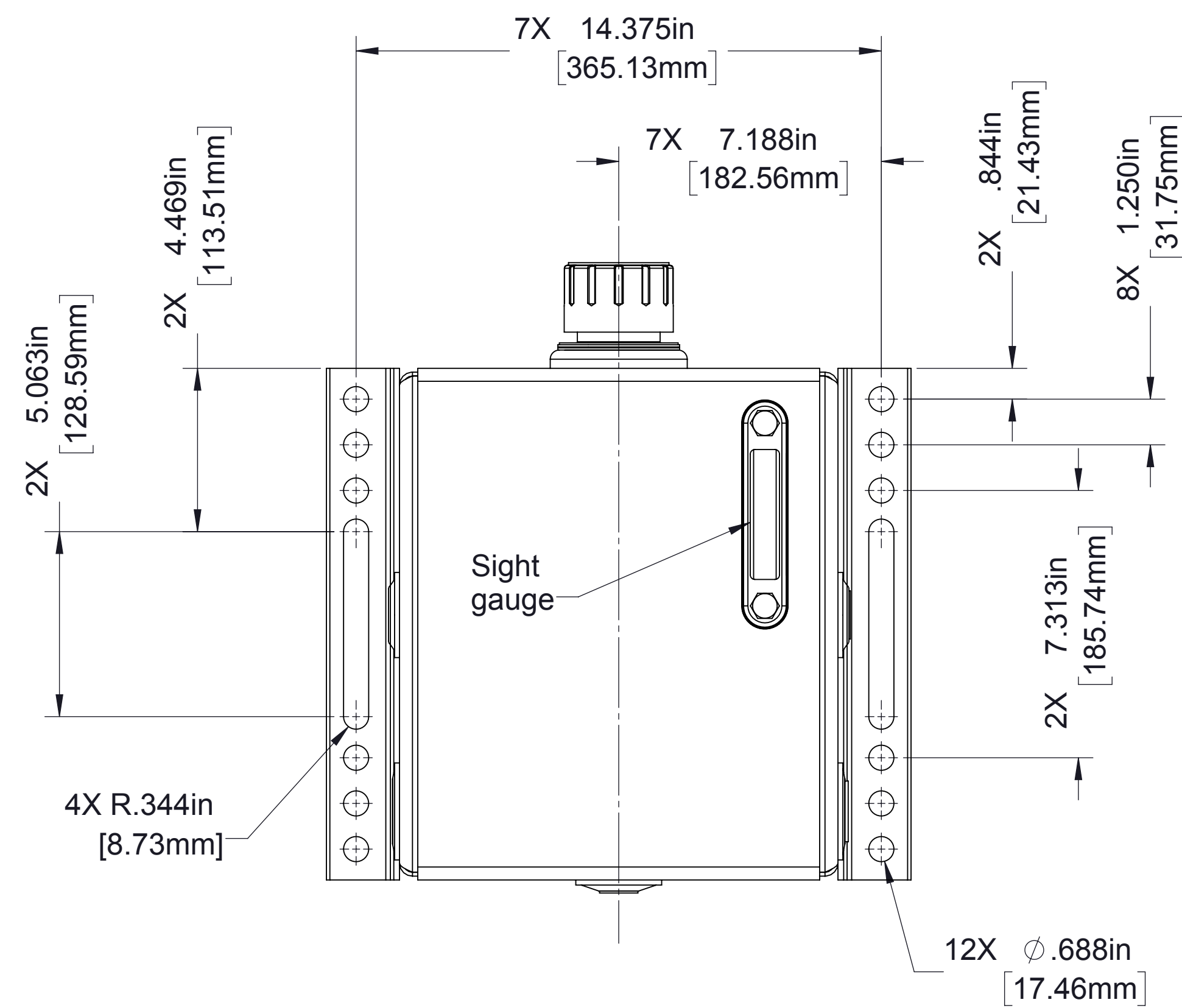
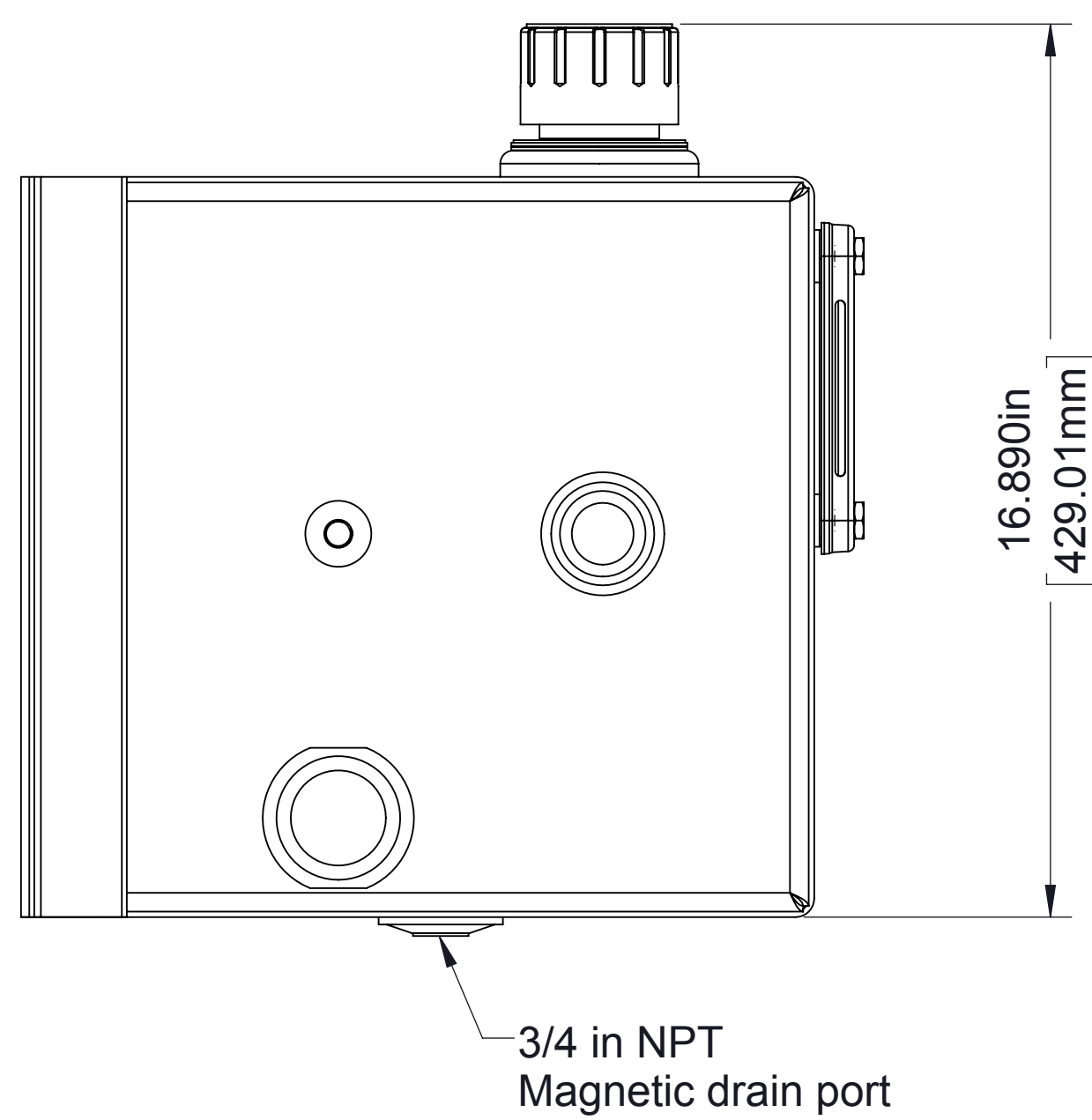




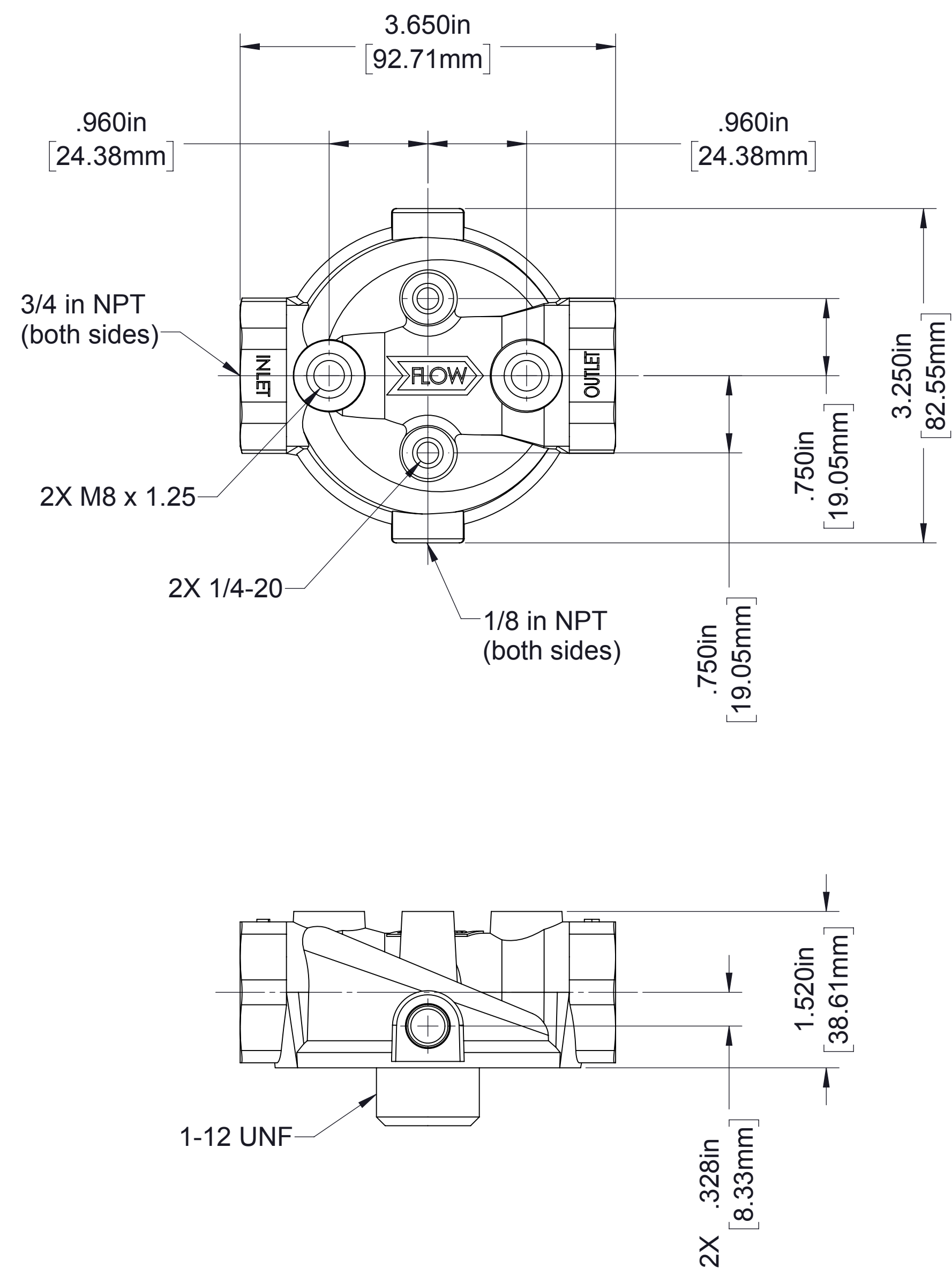
Temperature Transmitter
Part No. V 3887



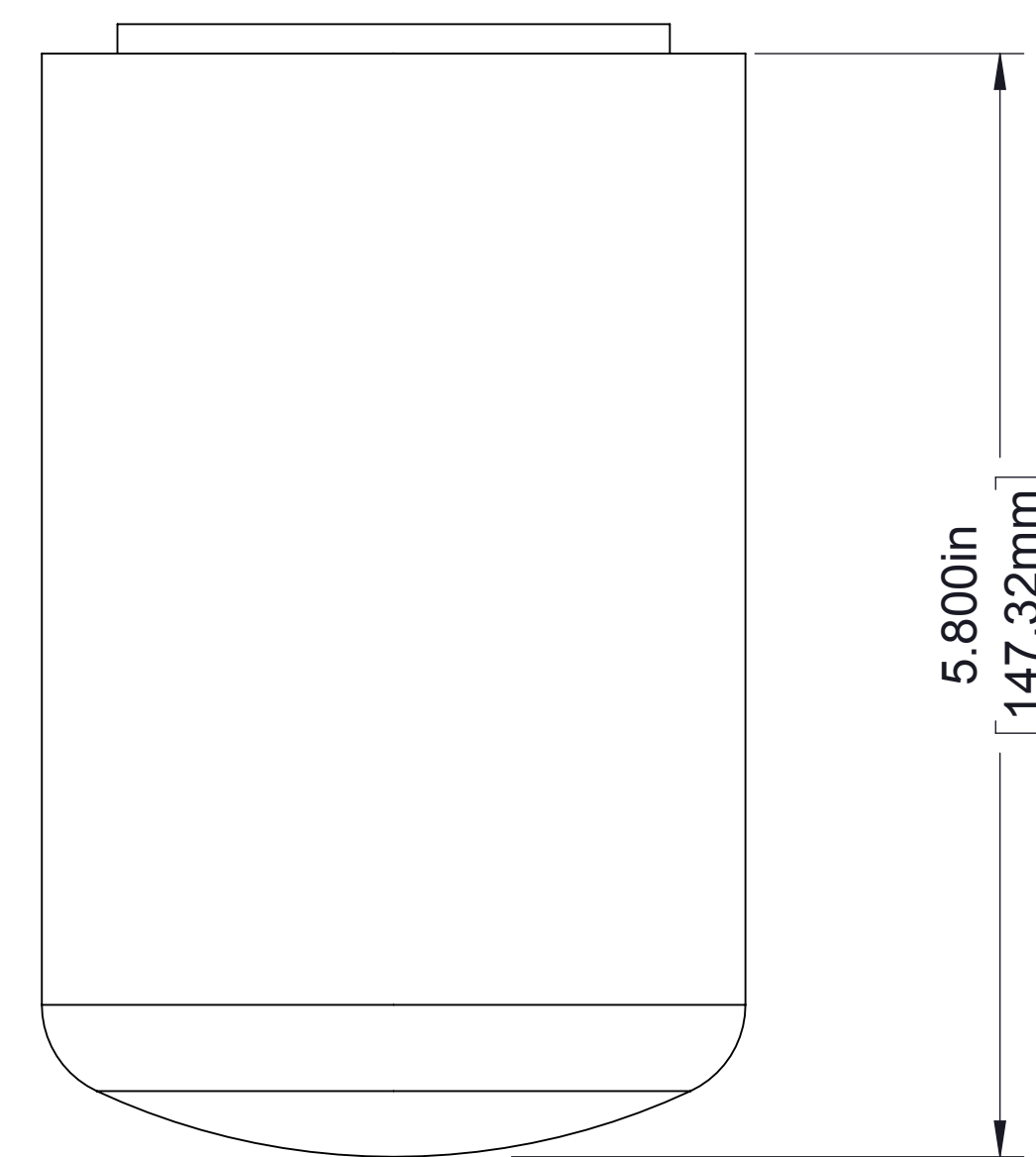
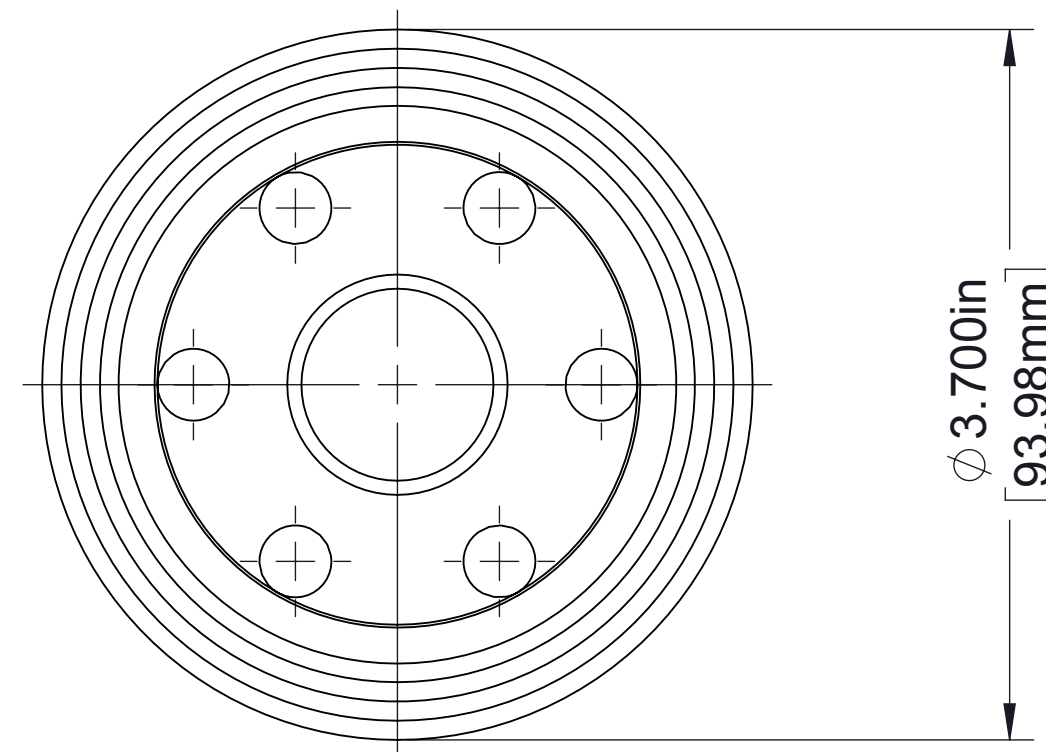
Level Sensor
Part No. 53473



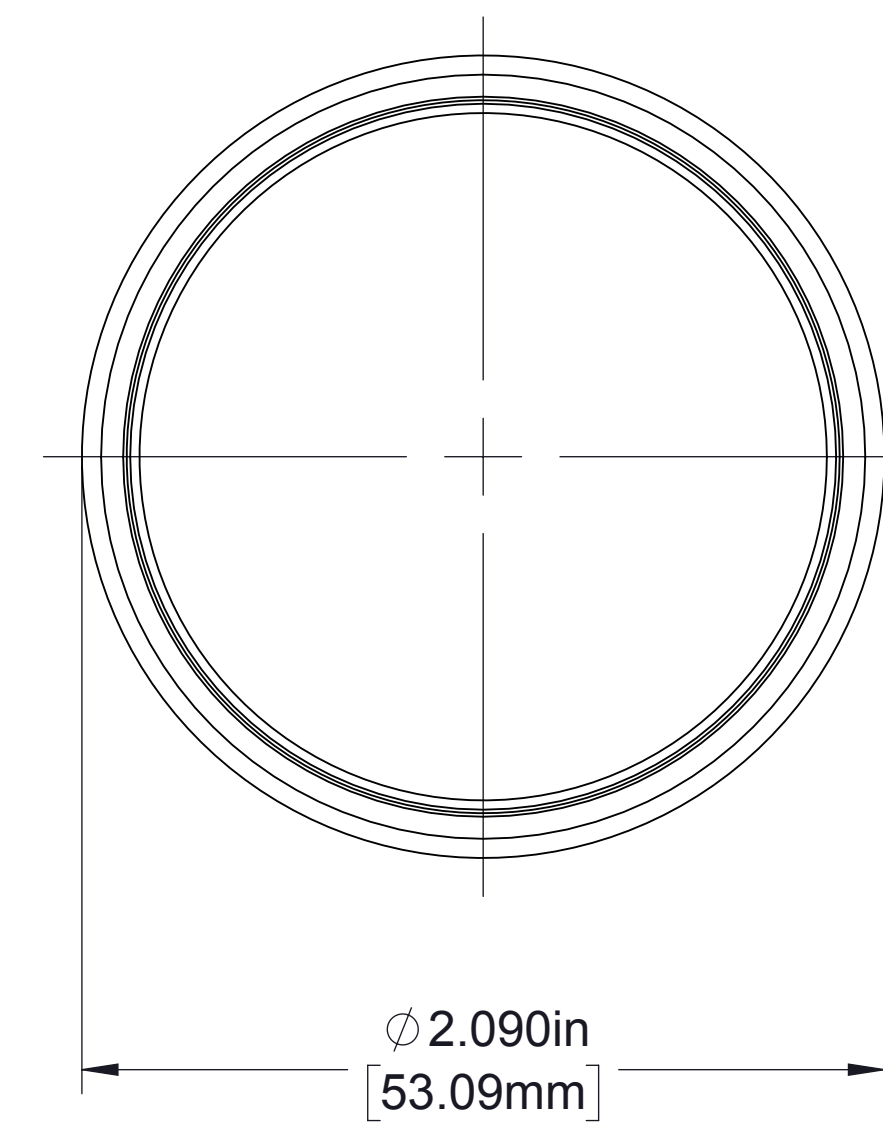
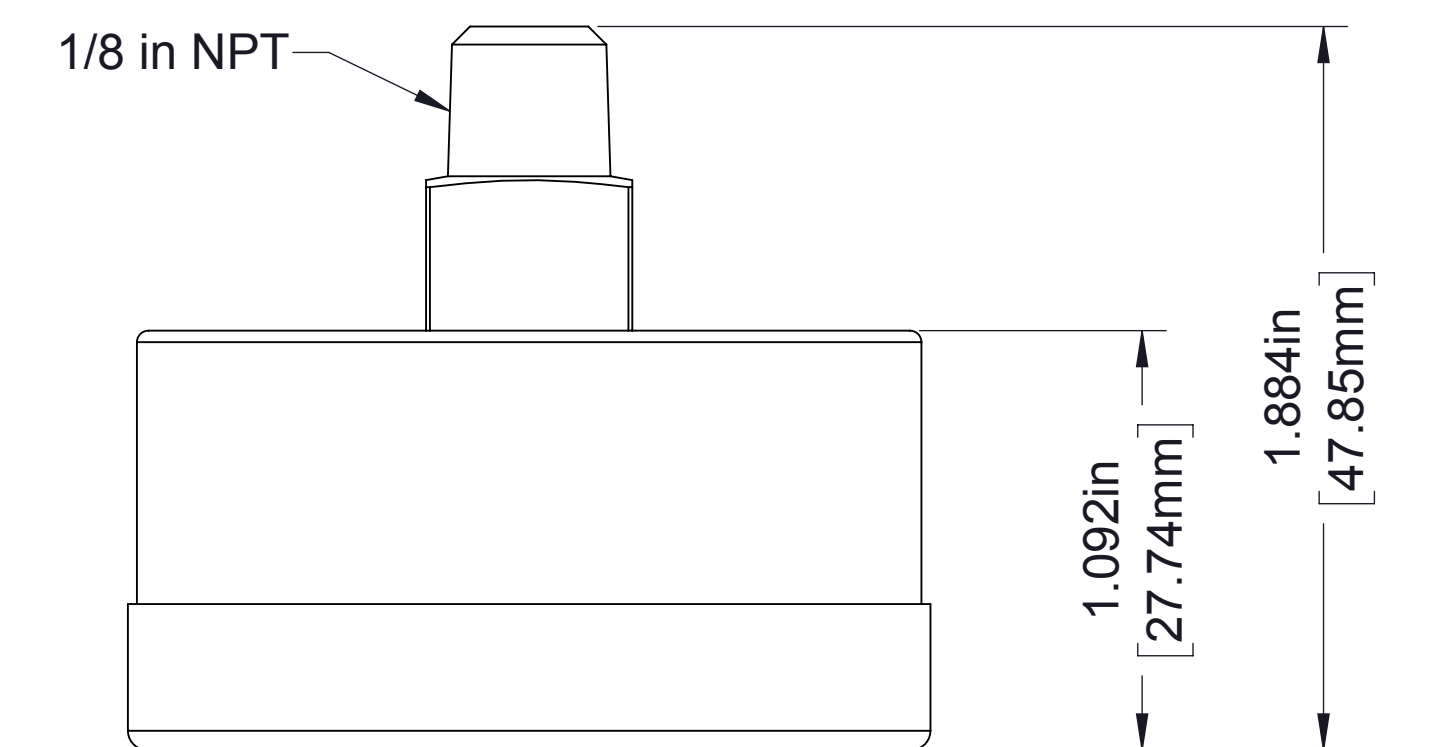
Oil Reservoir
Part No. V 4142
Capacity - 10 Gallons (13.8 liters)



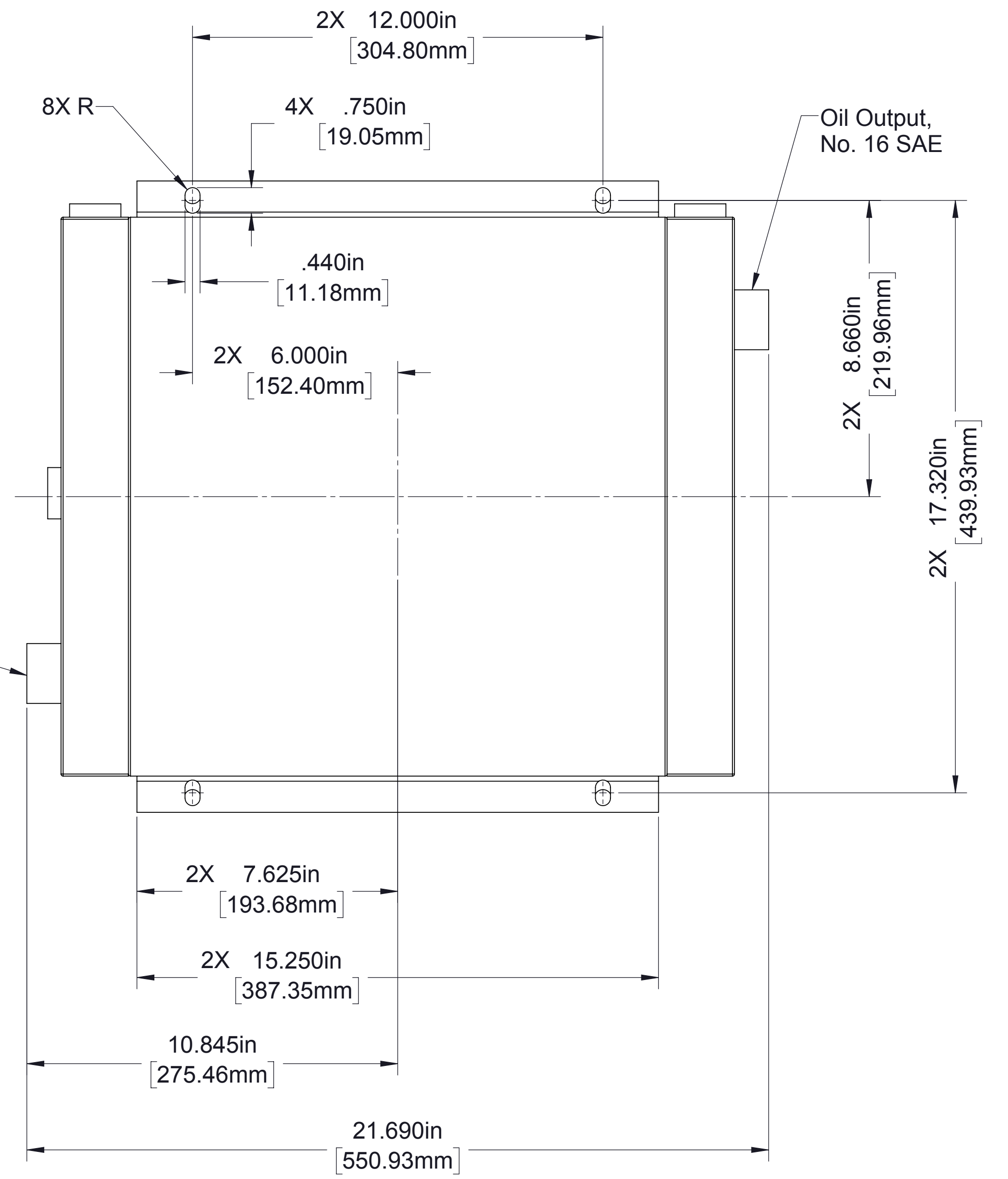
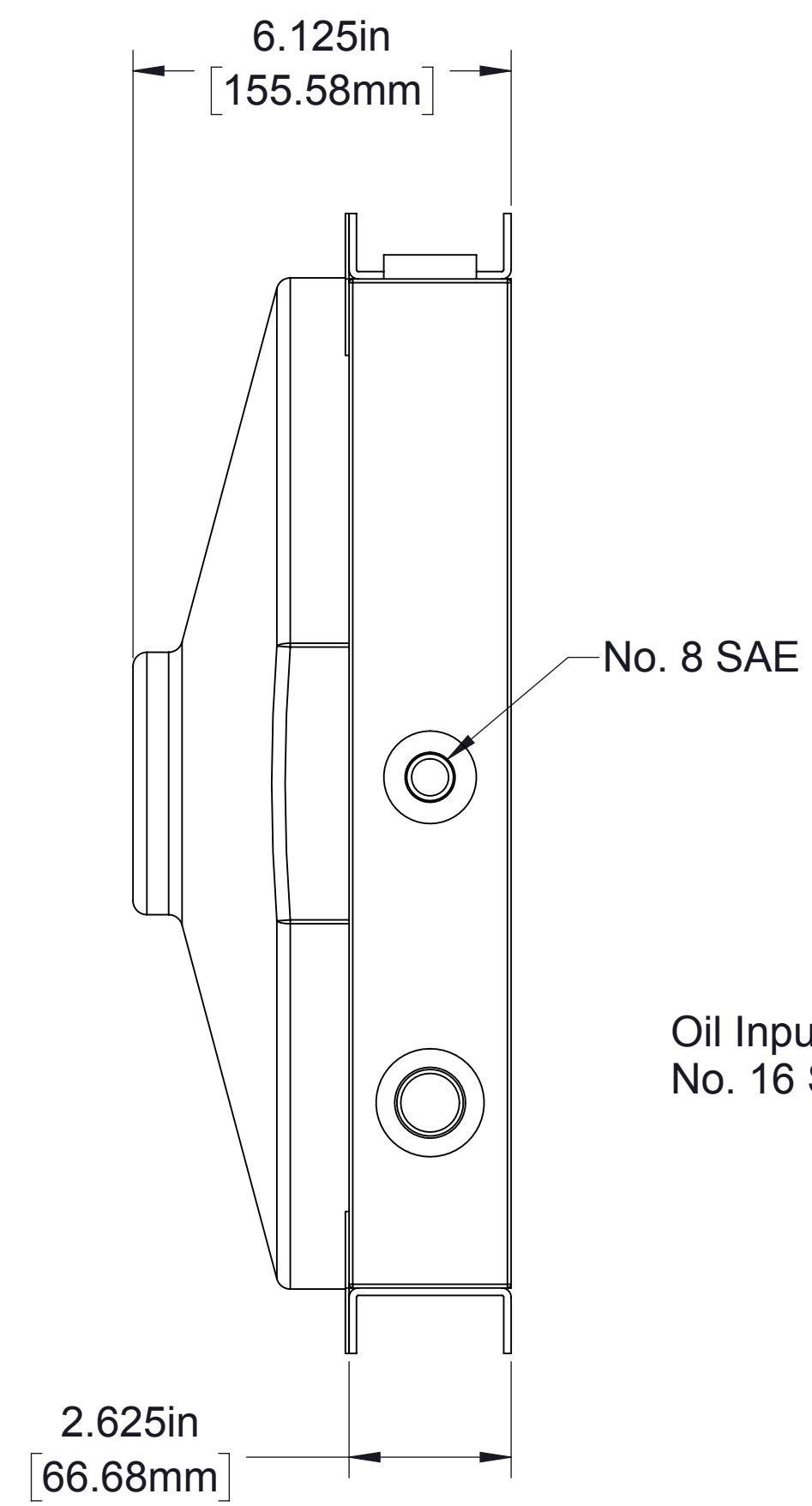
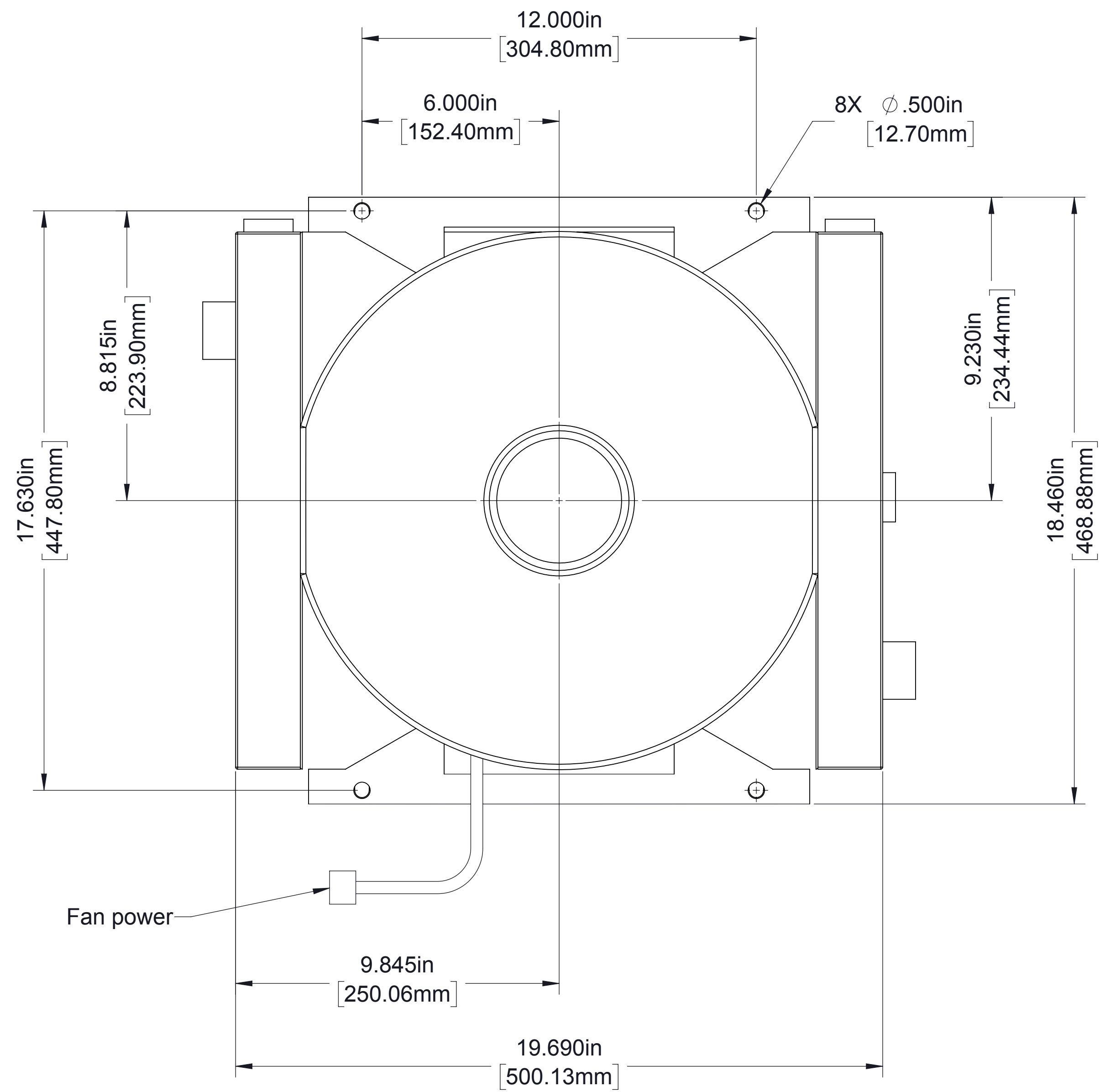
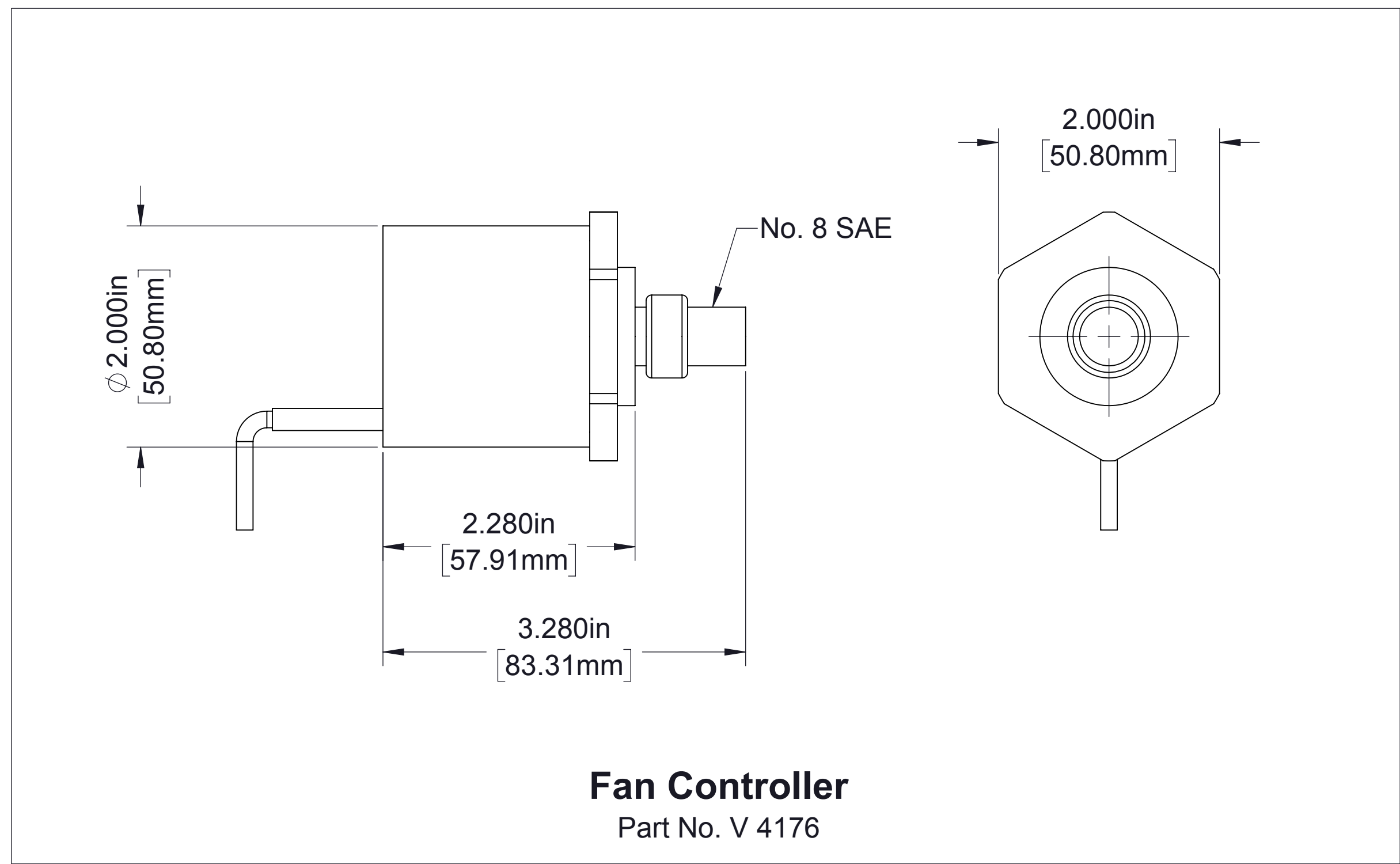
Filter Head
Part No. V 4146



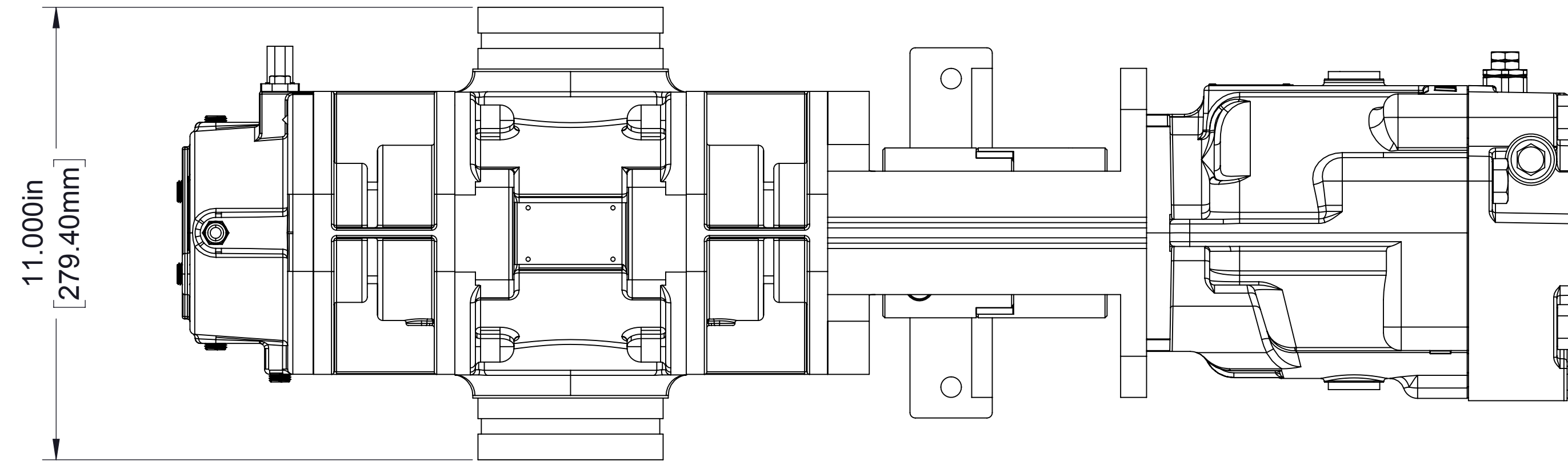
Oil Filter
Part No. V 4147



Oil Filter Life Indicator
Part No. V 4148

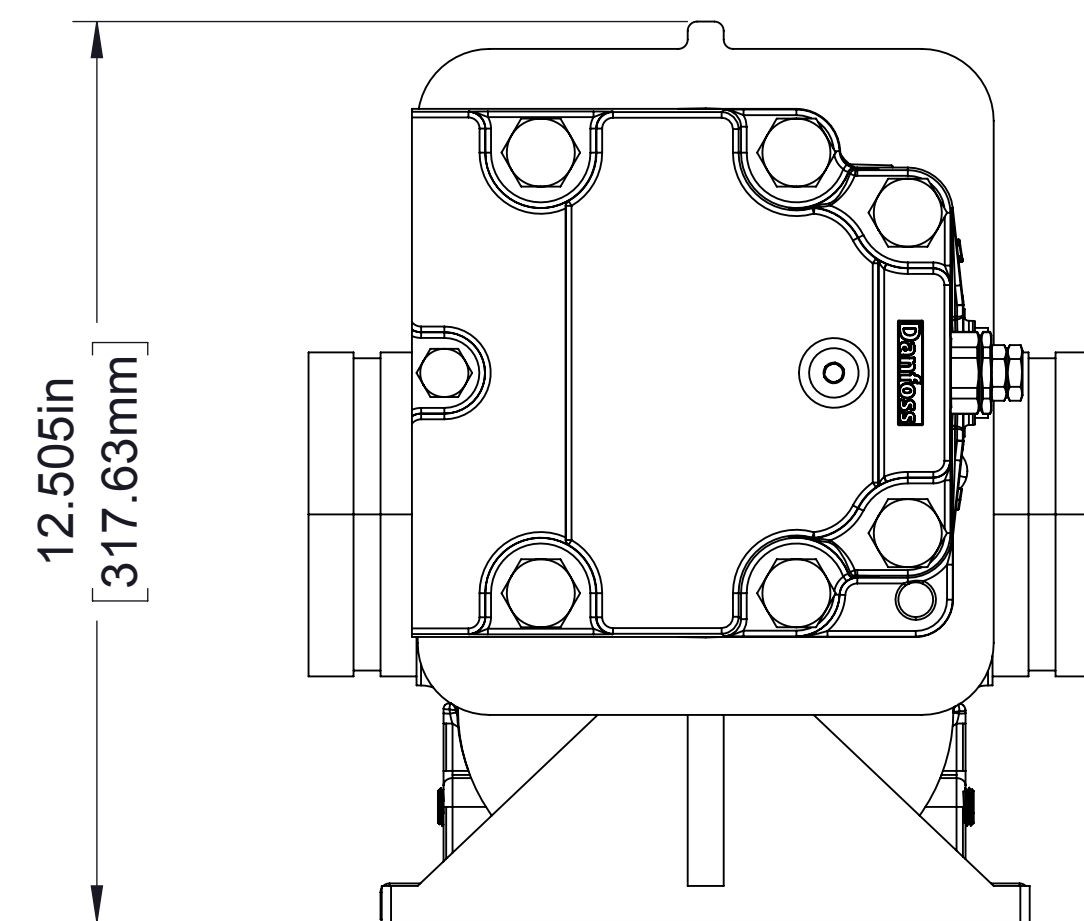
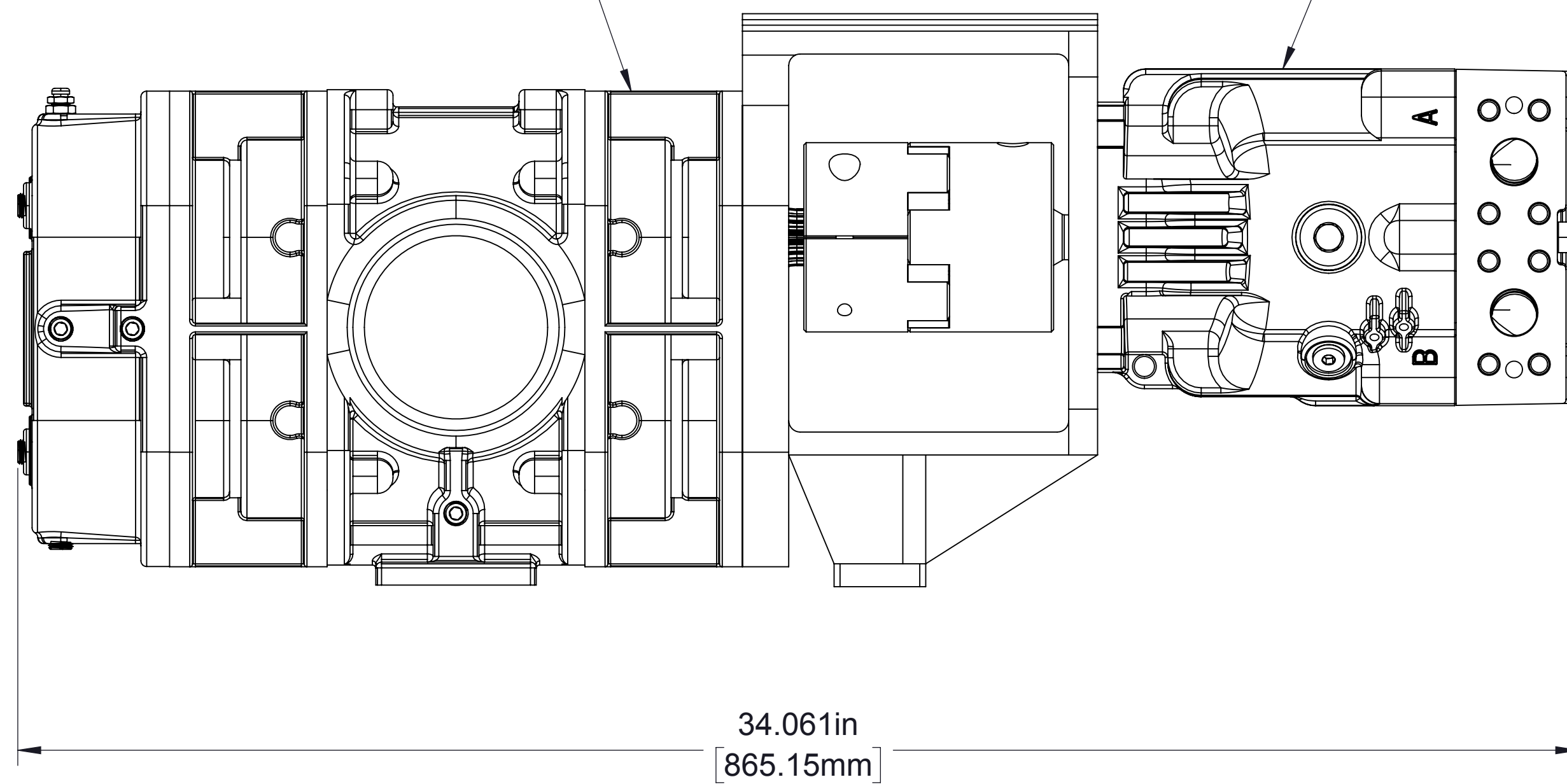


Heat Exchanger
Part No. V 4144

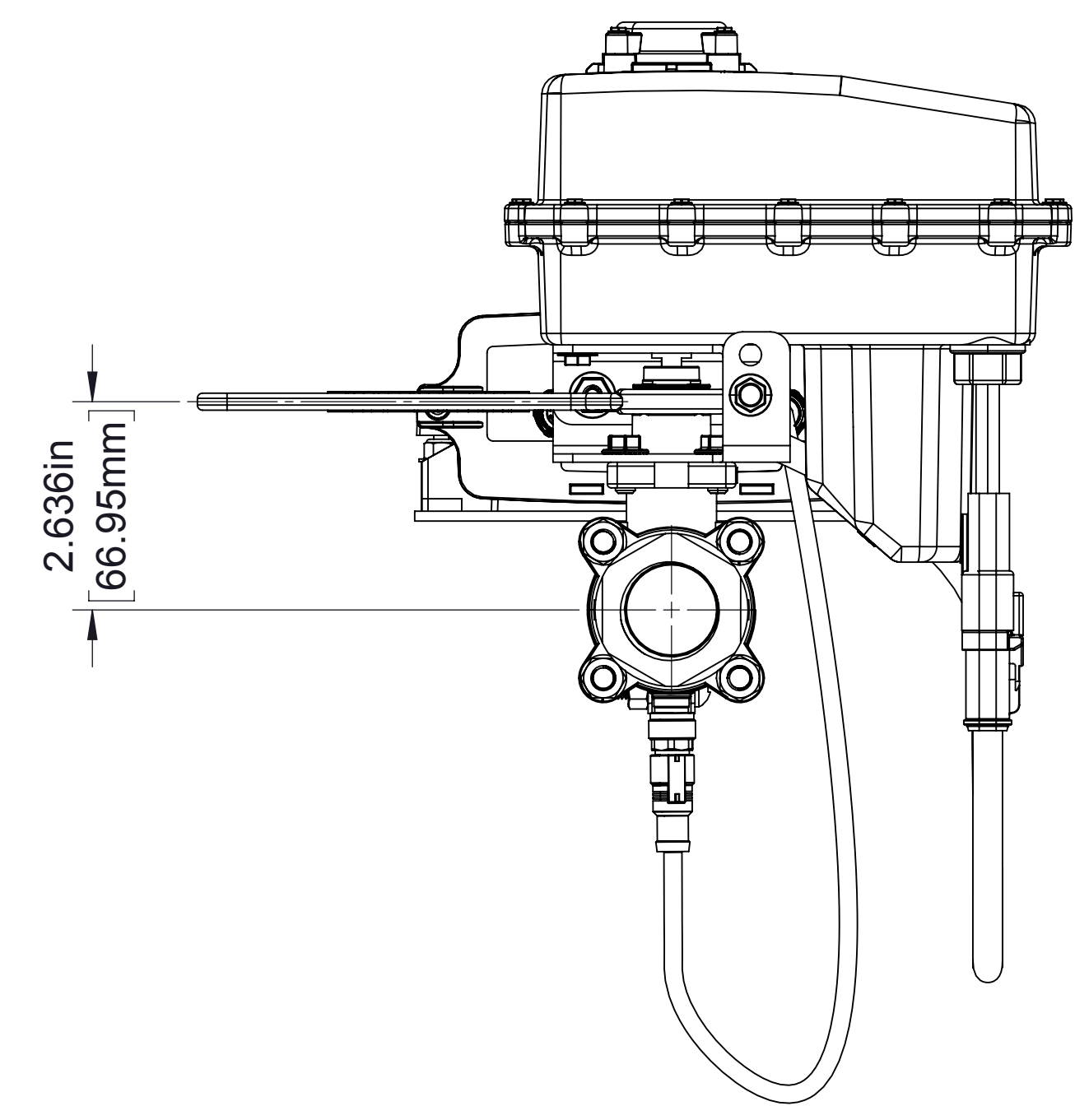
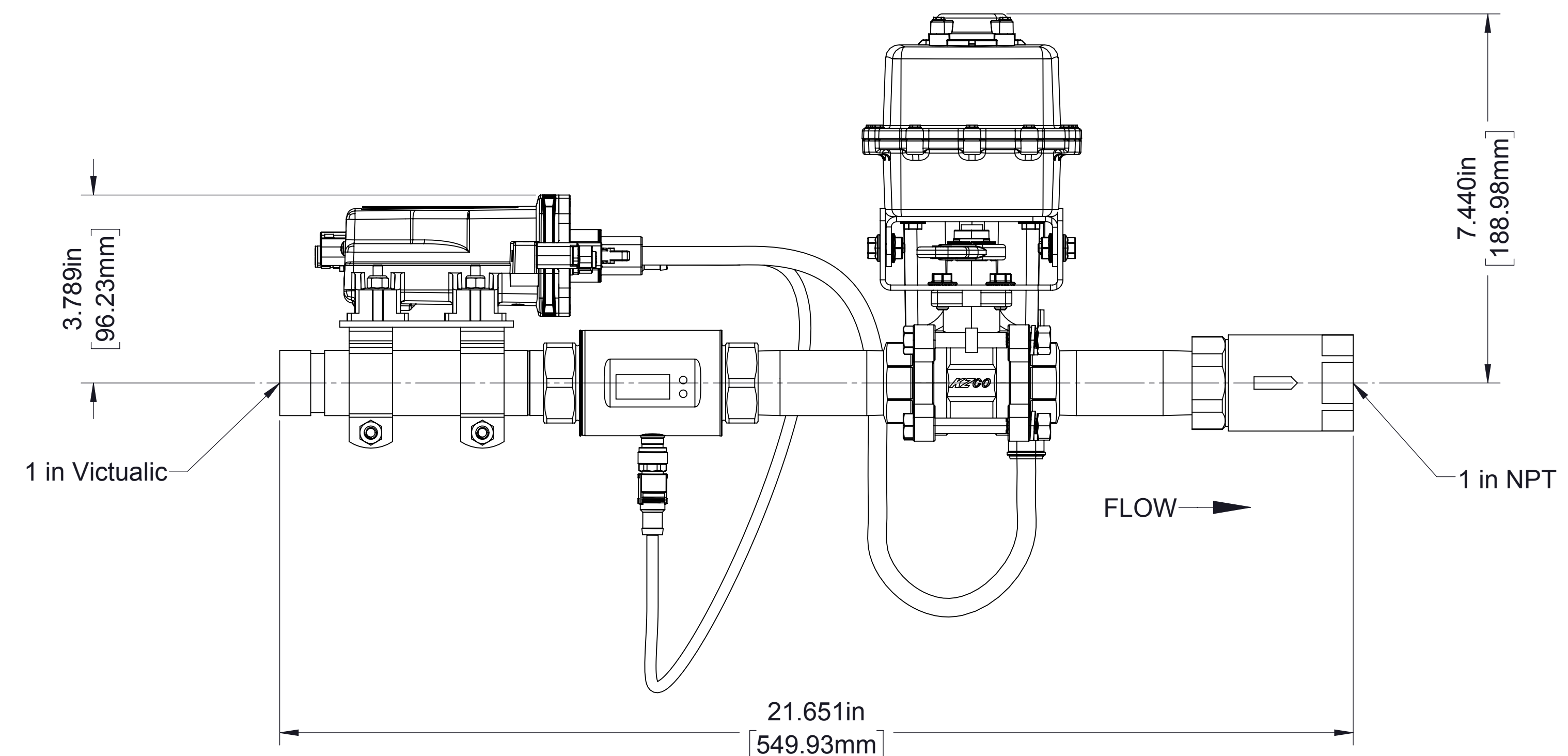
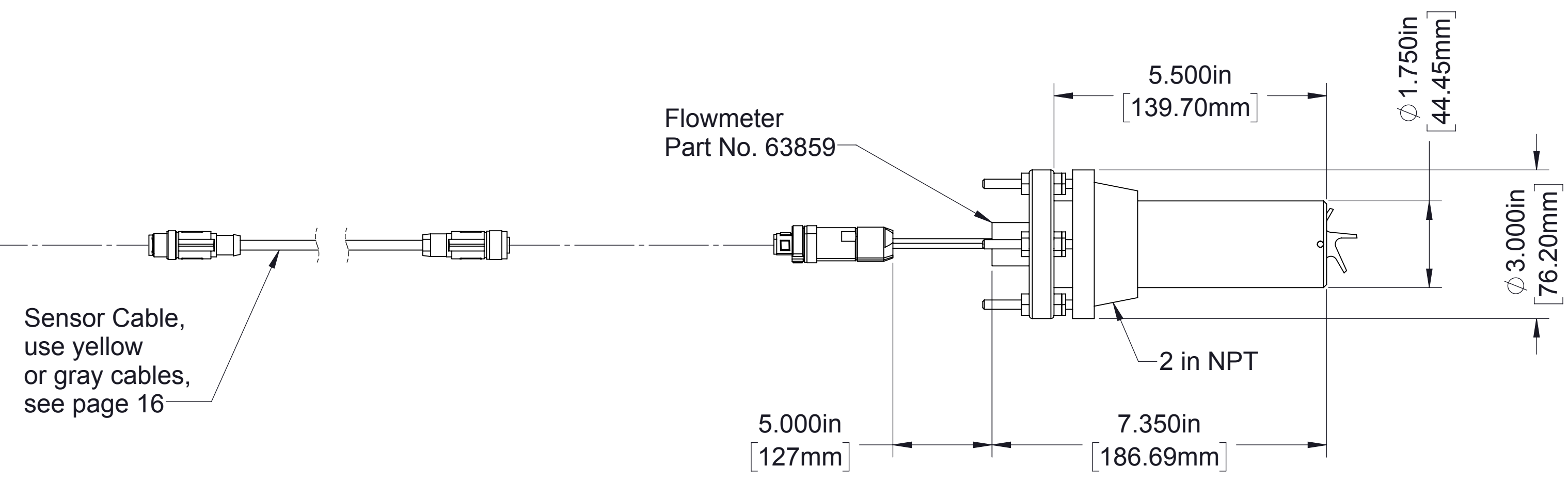
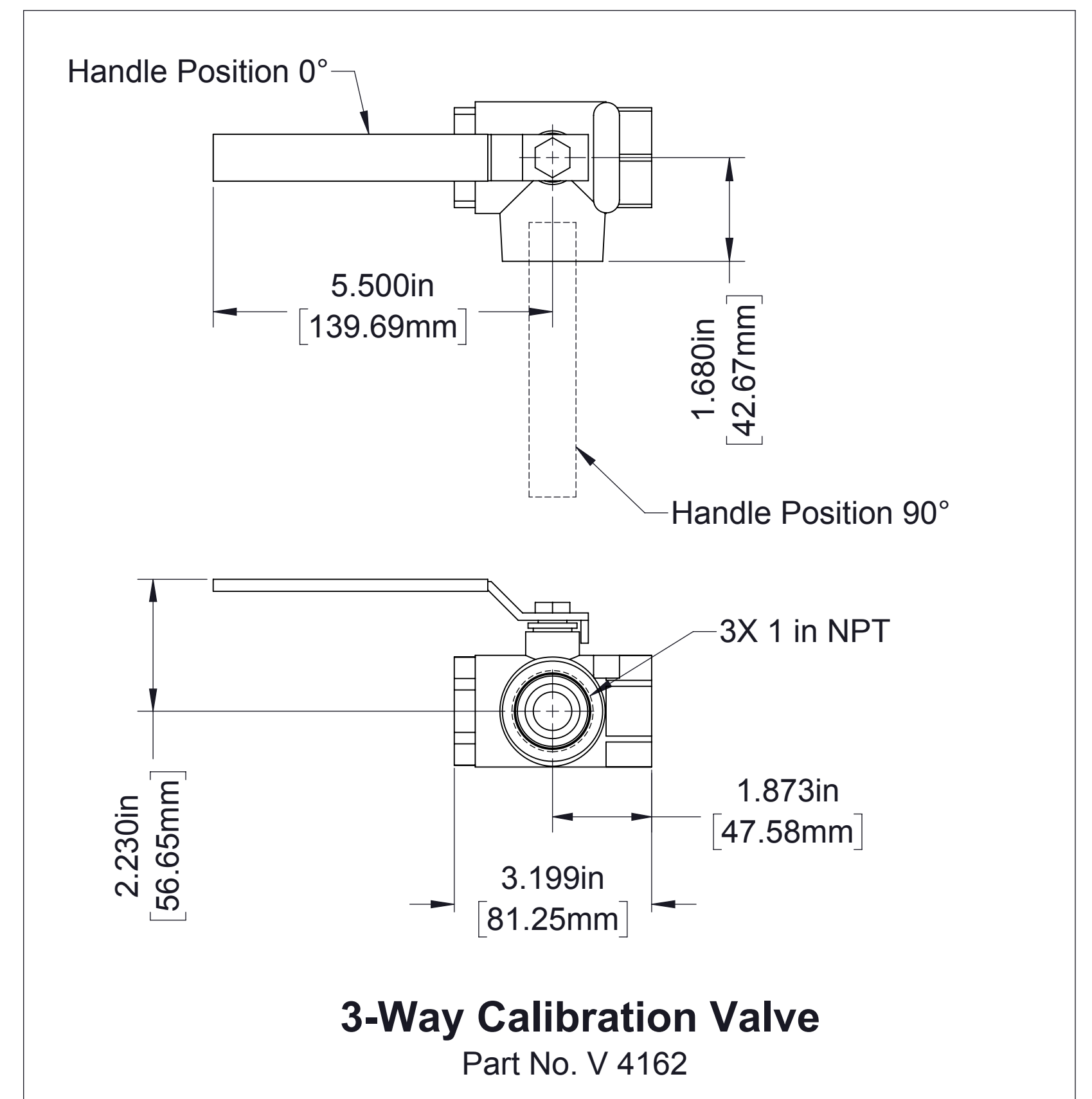
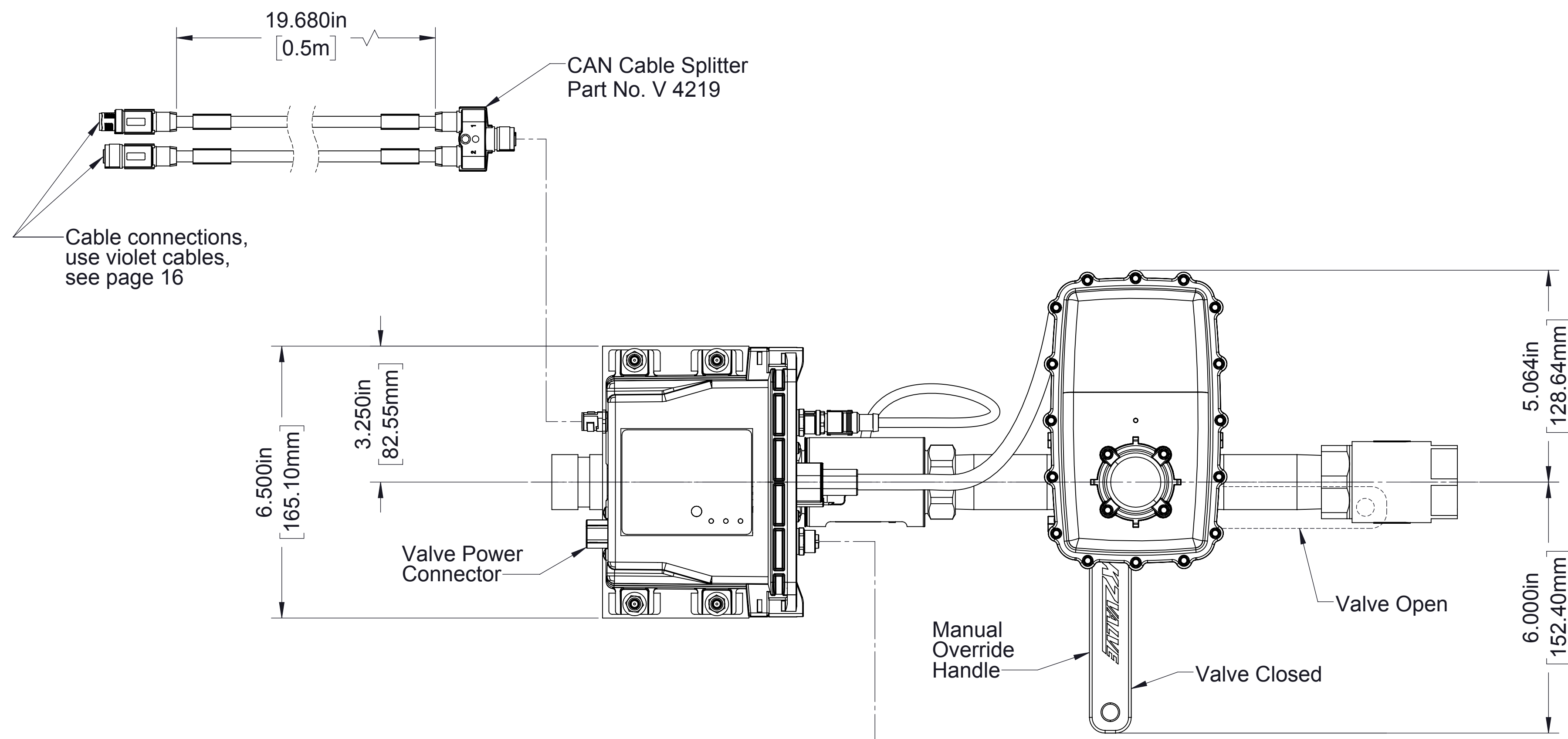


Foam Concentrate Pump
Part No. 83803
(See page 4 for dimensional views)

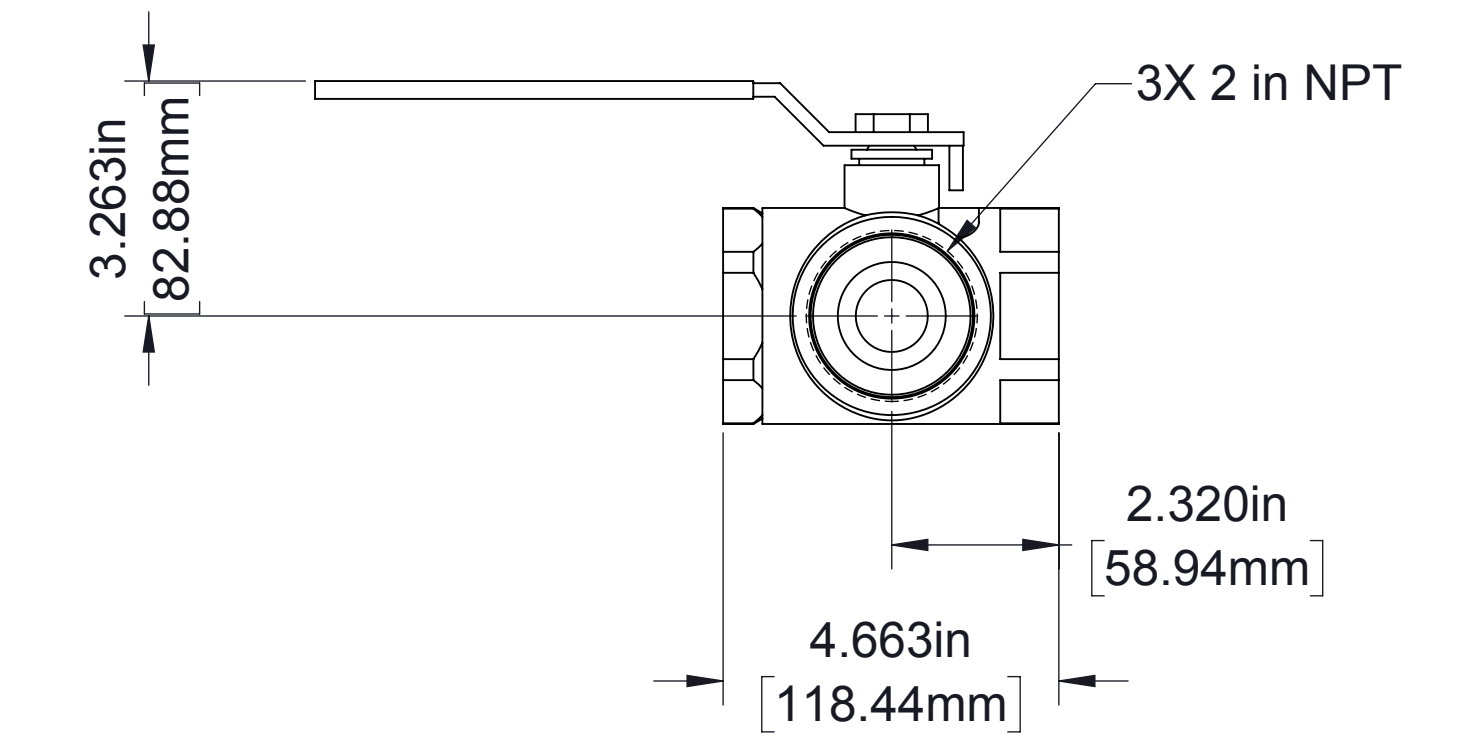
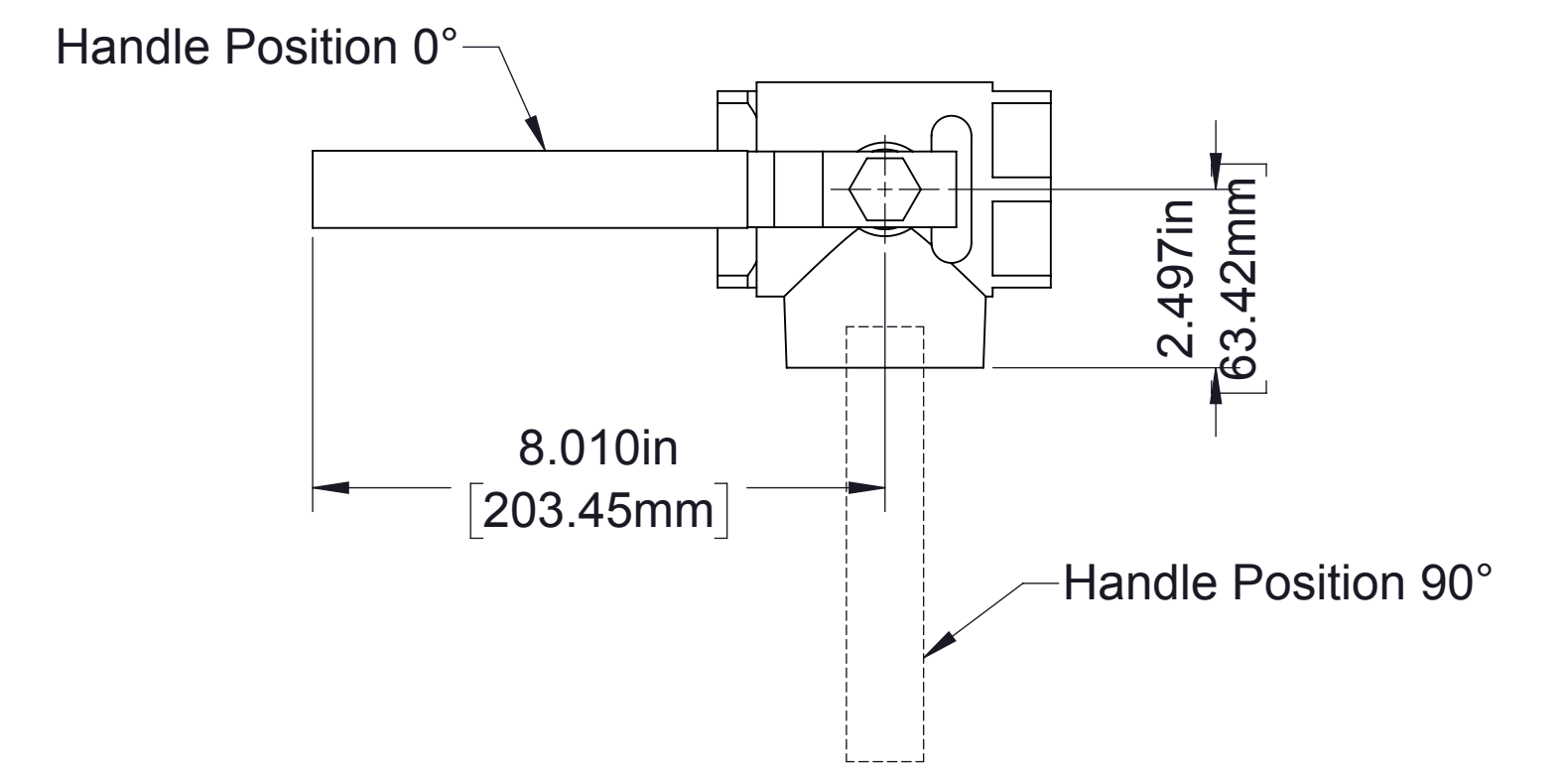
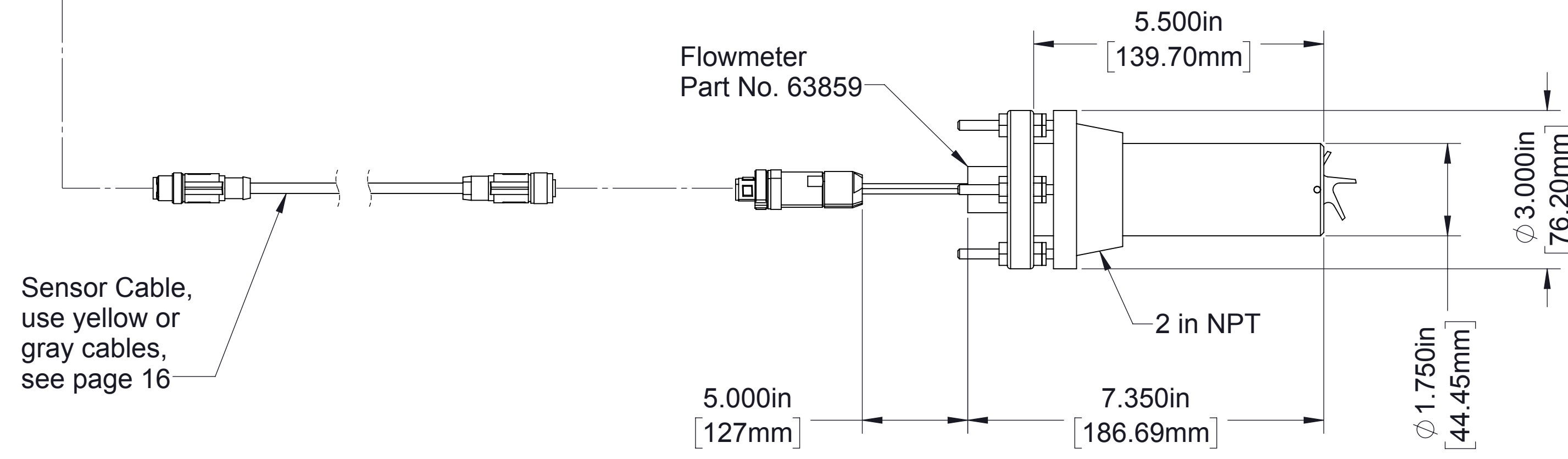
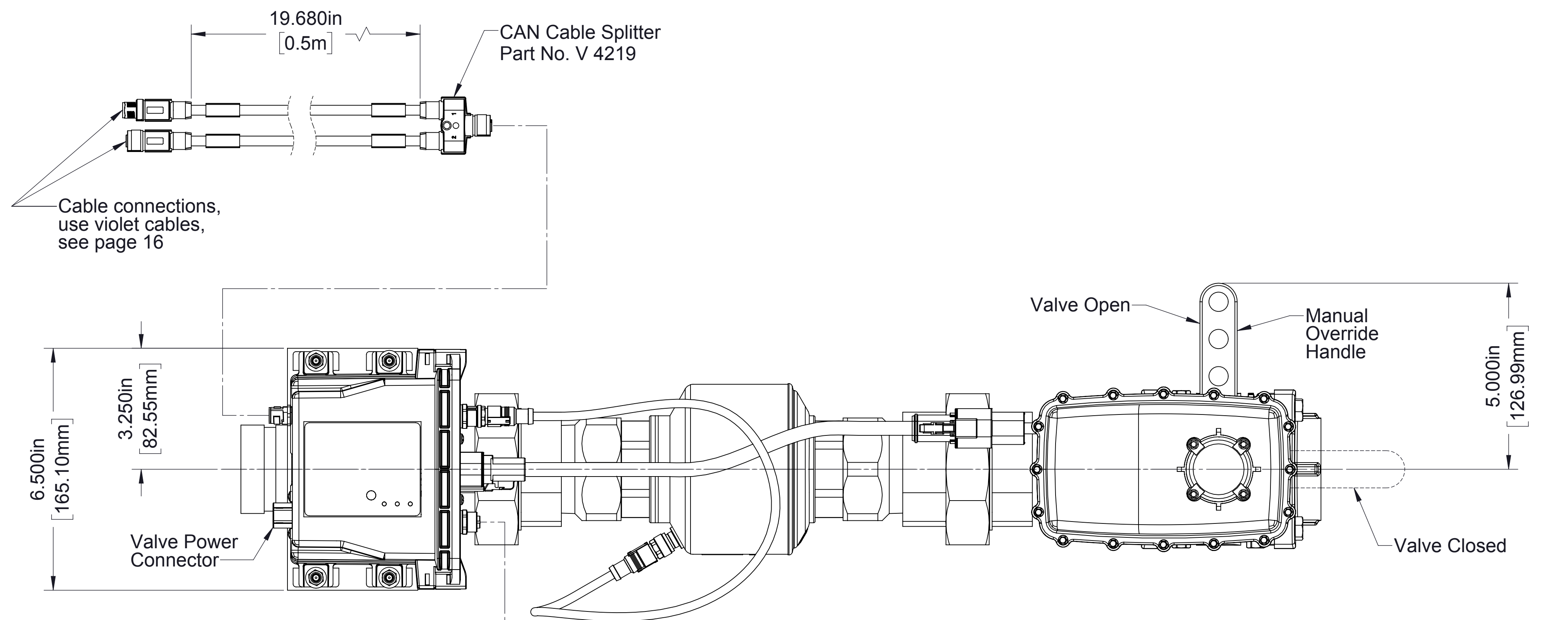
Hydraulic Motor
Part No. V 4141
(See page 6 for dimensional views)



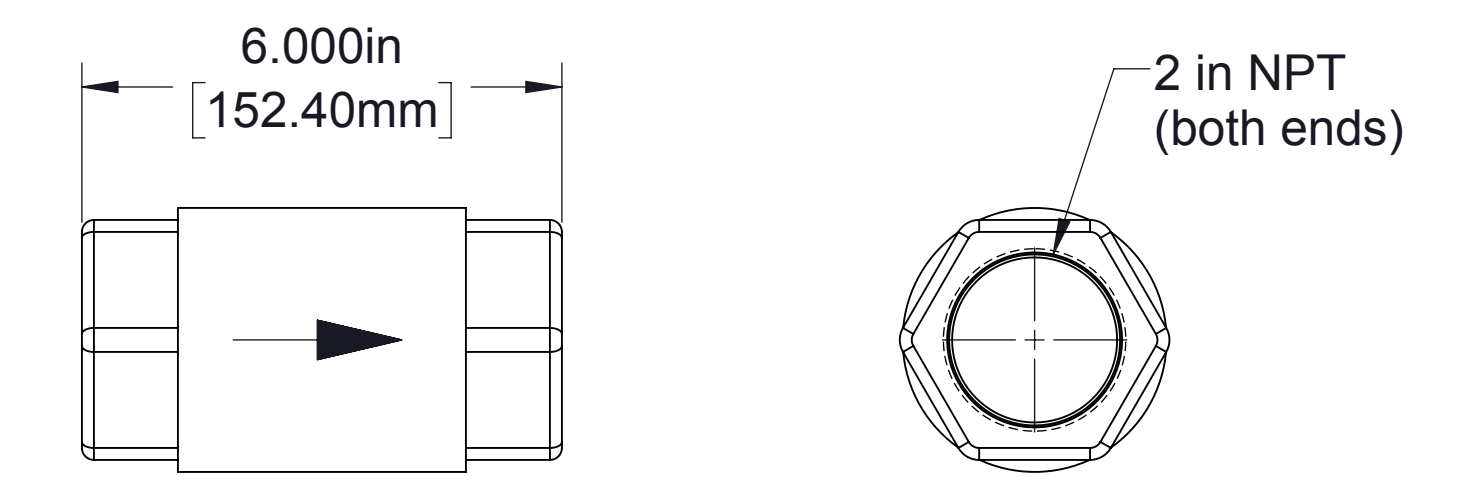
Foam Concentrate Pump and Hydraulic Motor



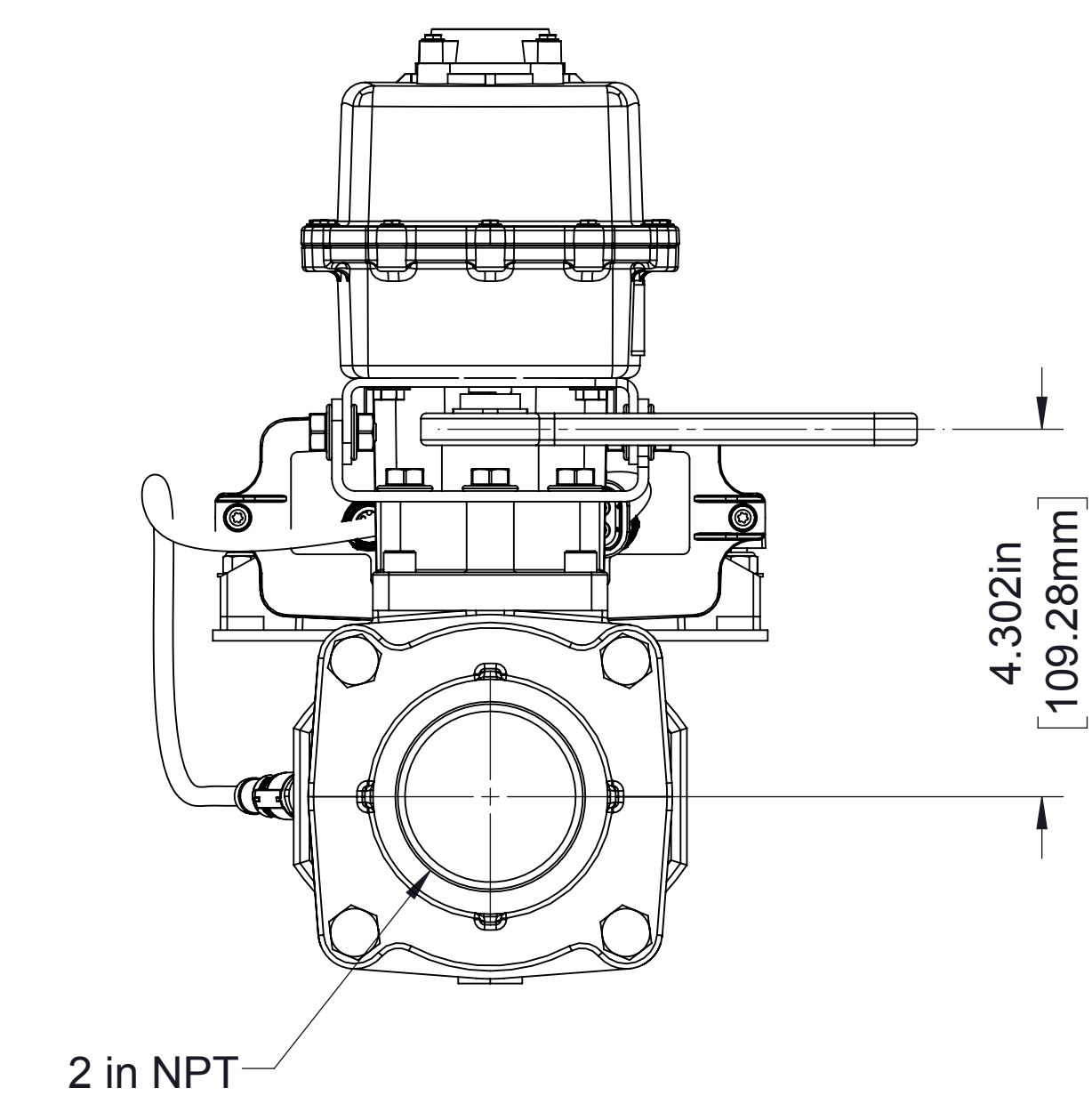
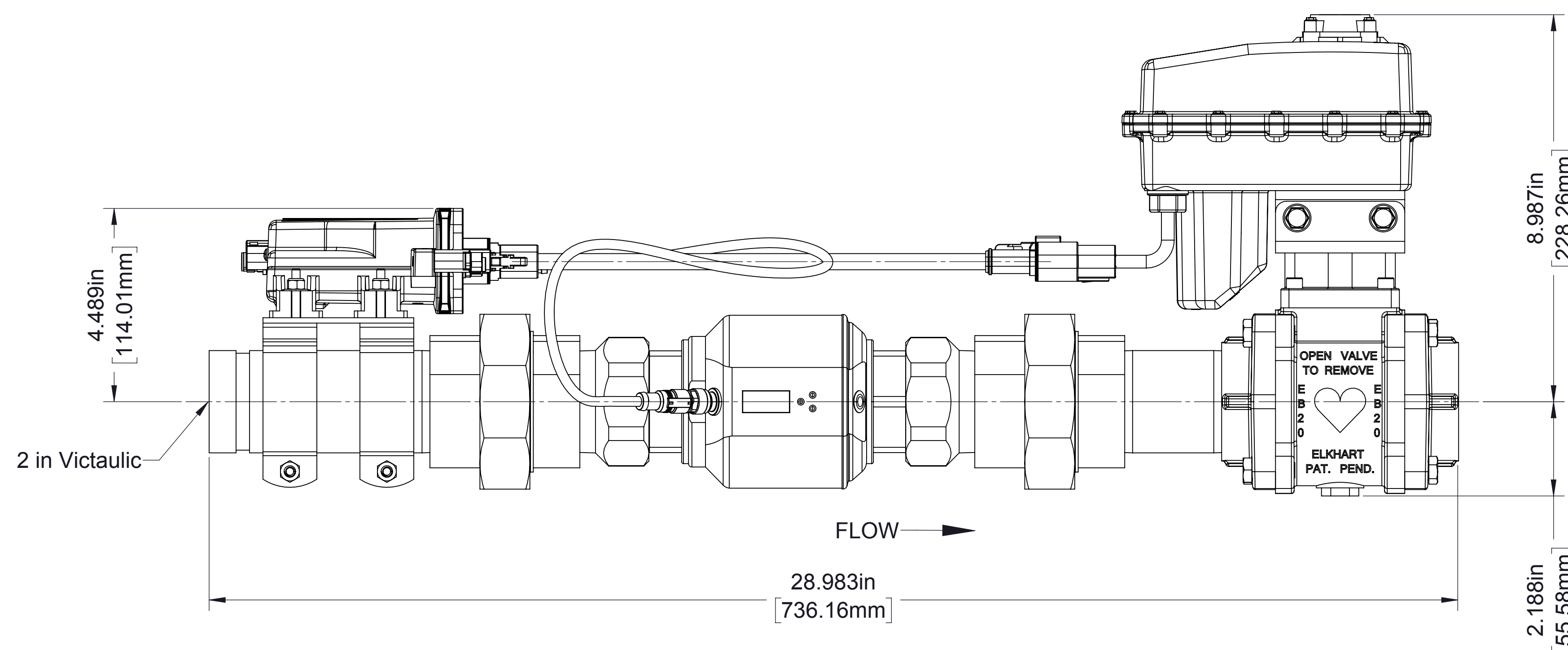
1 in Discharge Line Assembly
Part No. 9463



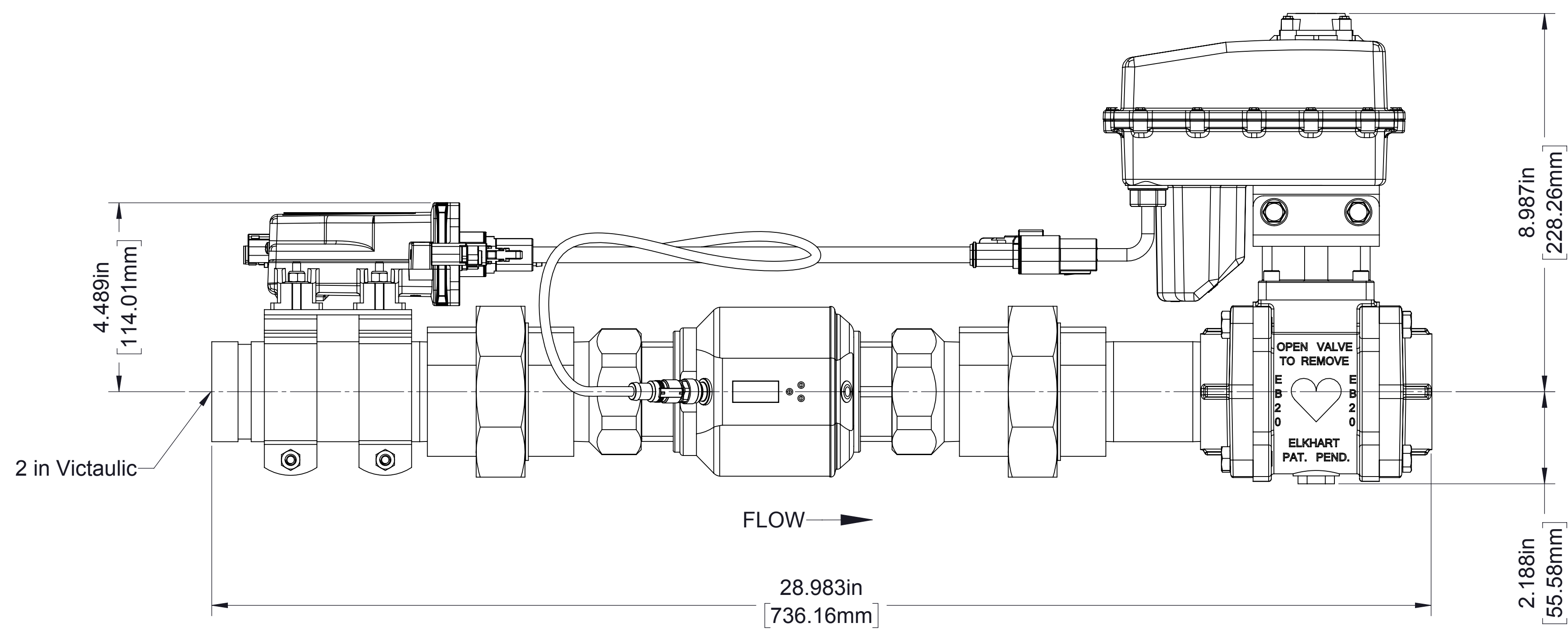
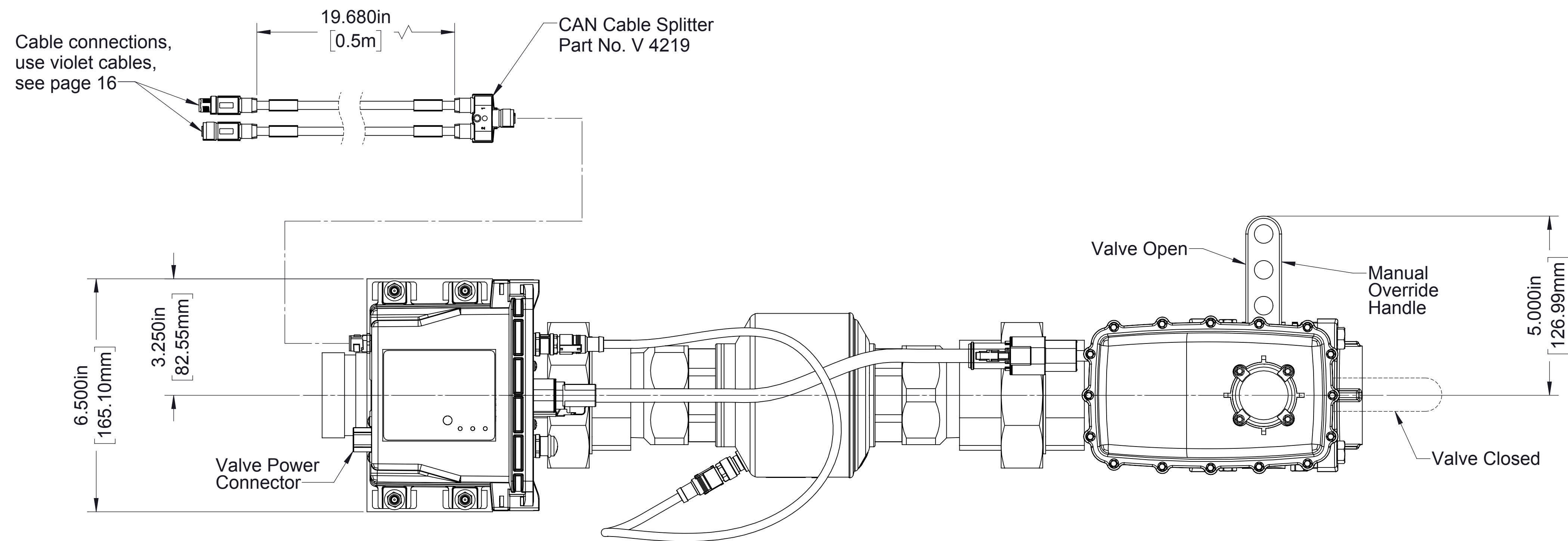
3-Way Calibration Valve
Part No. V 4163



2 in In-line Check Valve
Part No. Q-2410050

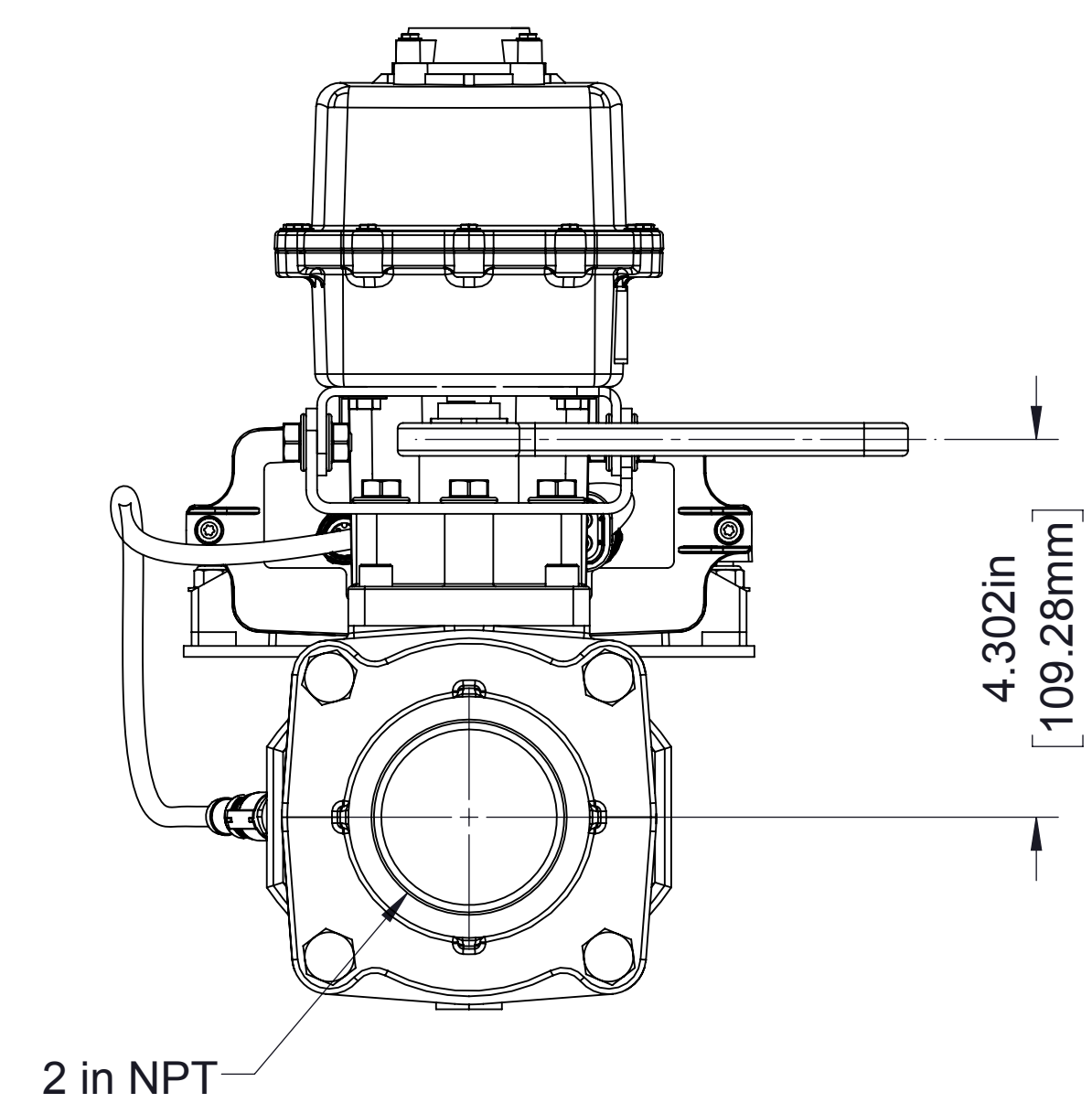
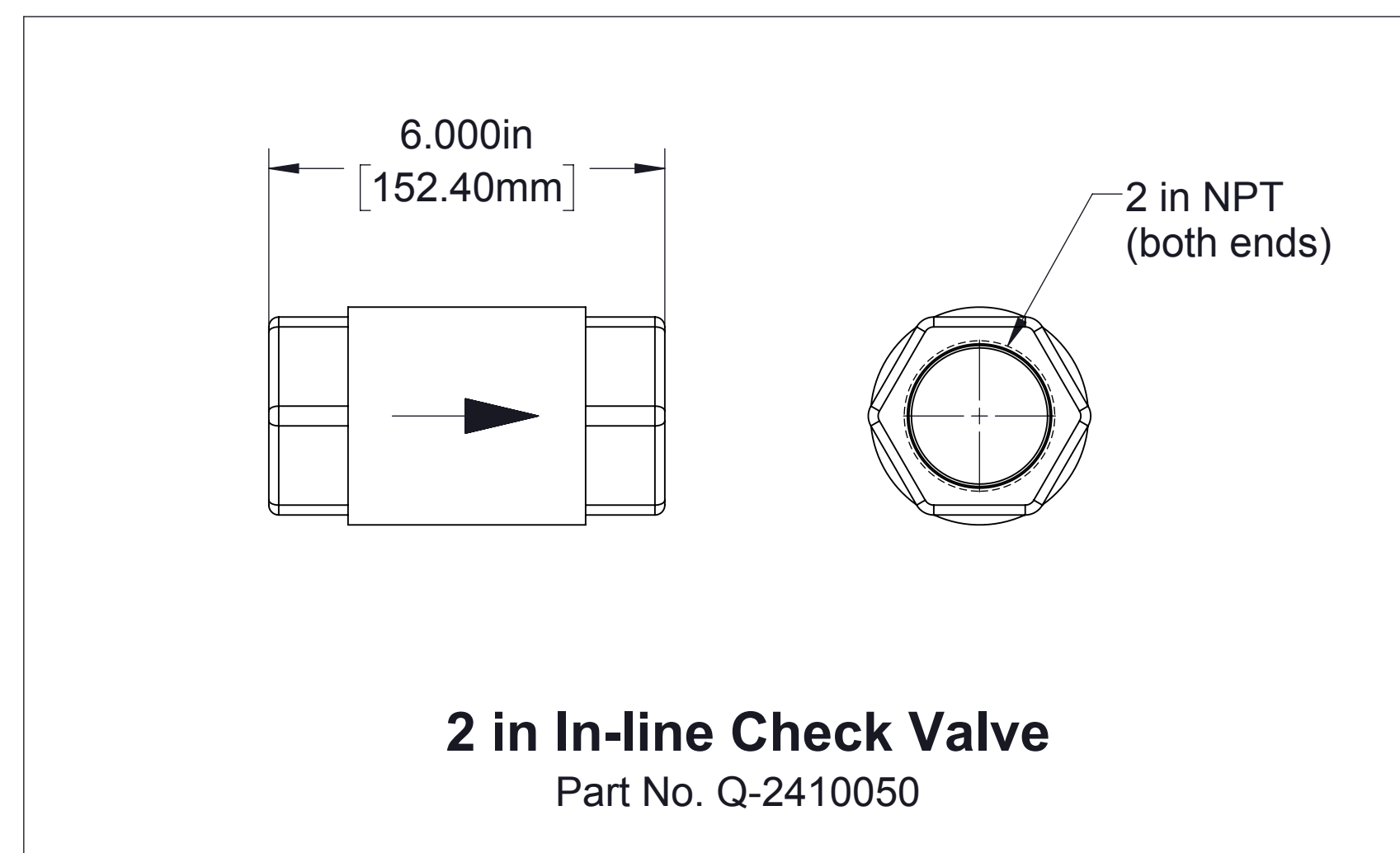


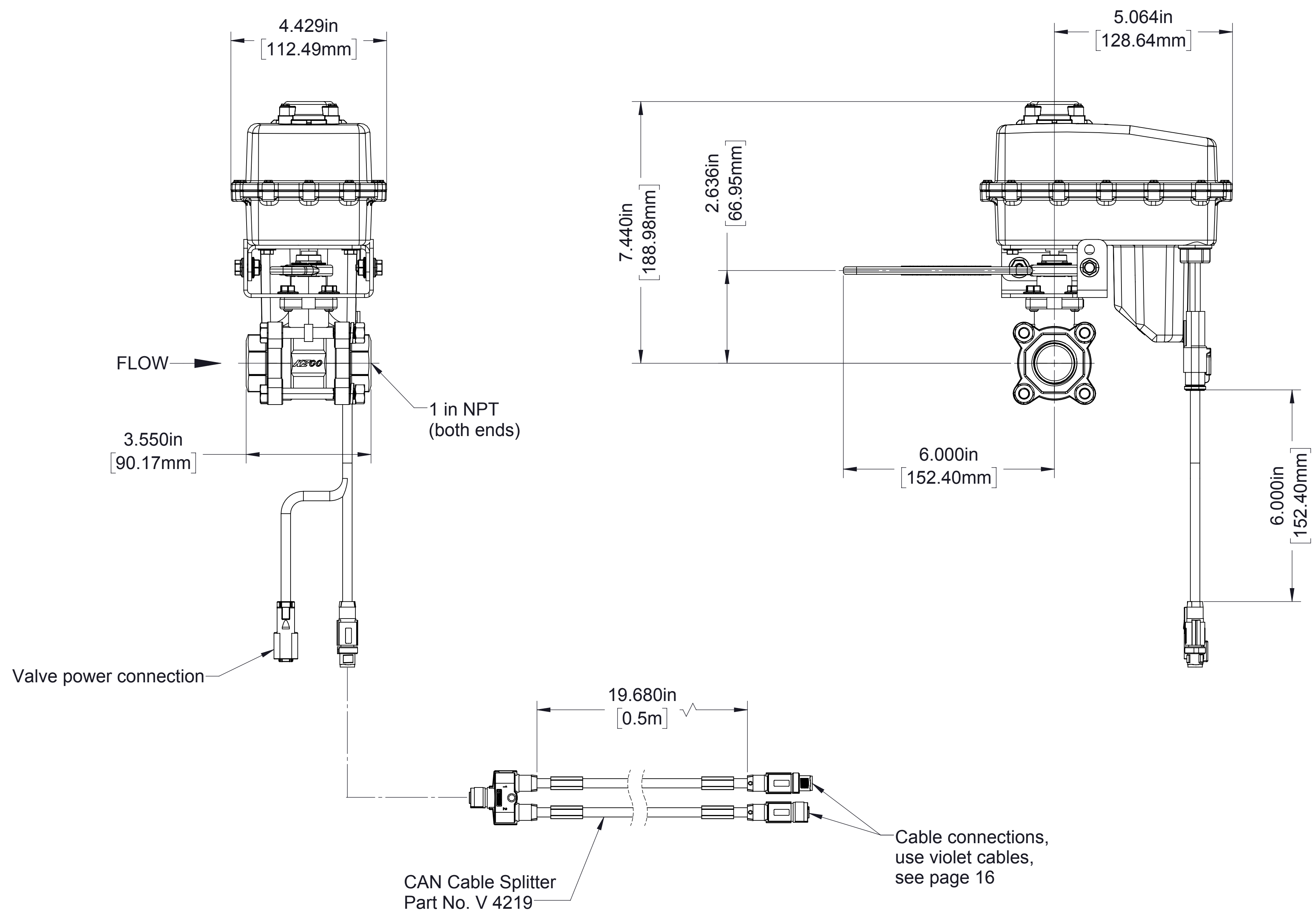
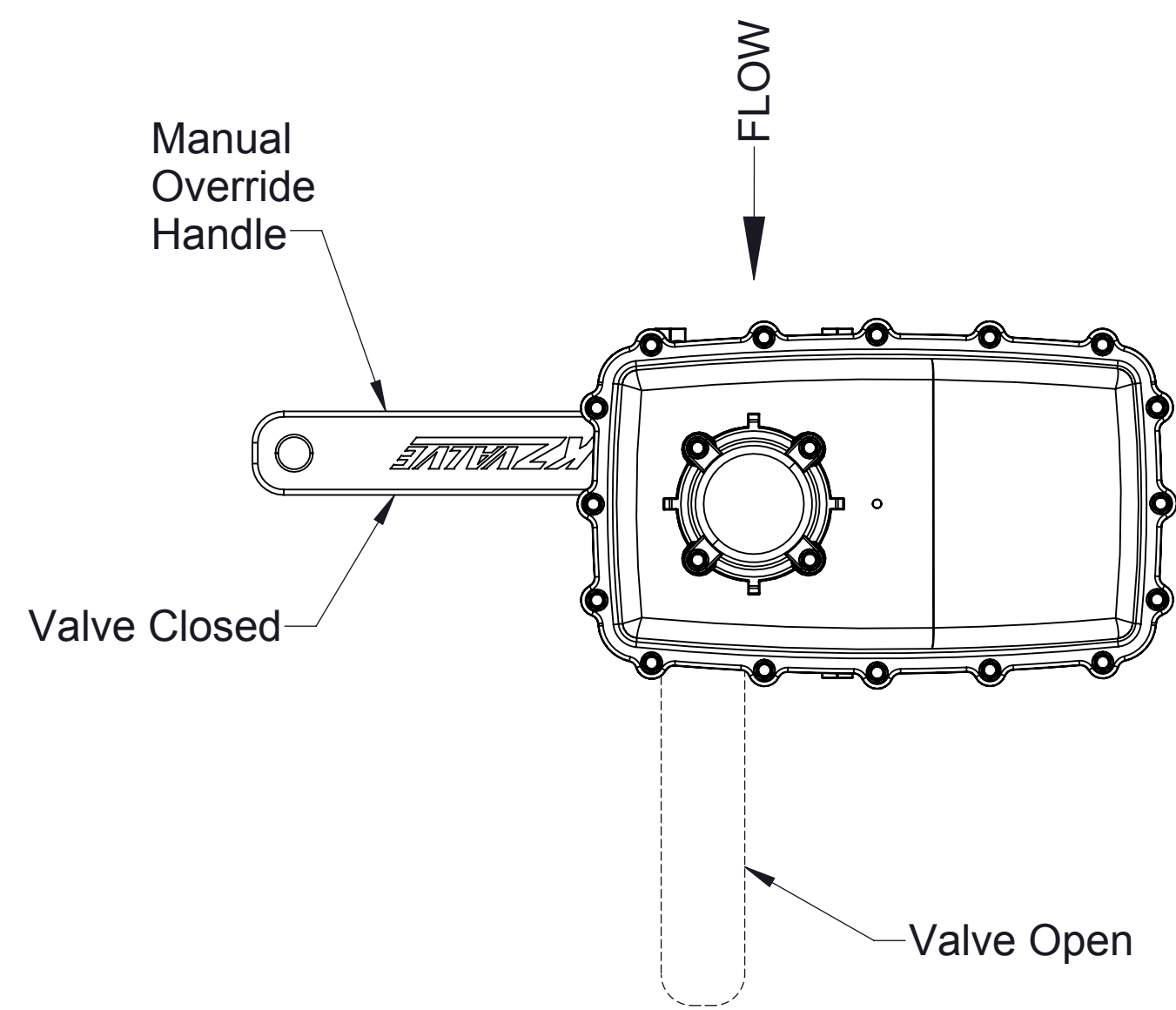
2 in Discharge Line Assembly
Part No. 9470-1



2 in, Supply Tank Fill Valve

Part No. 9470-2

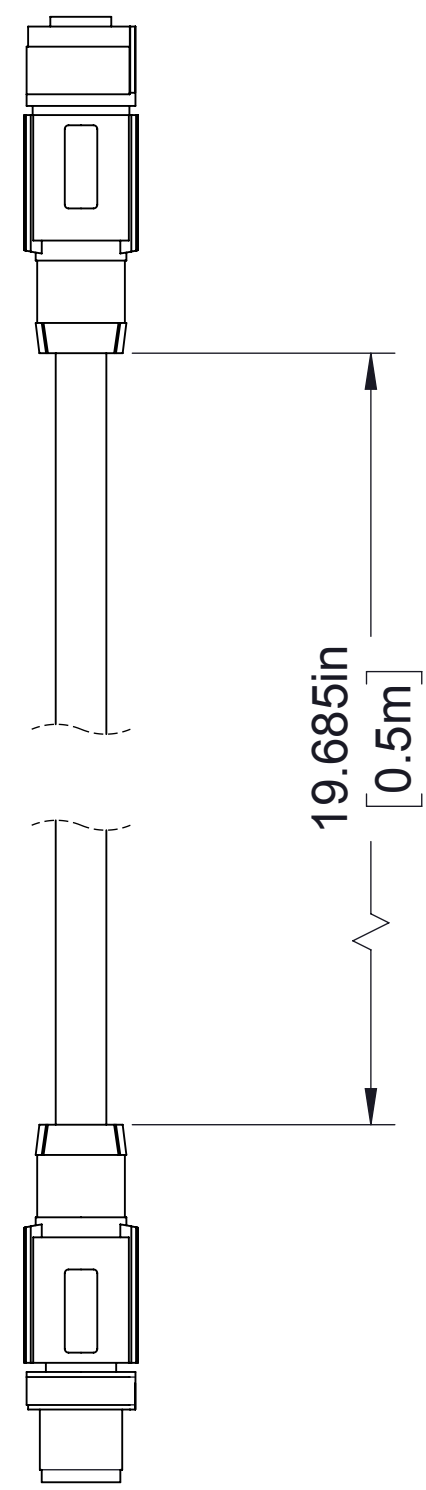




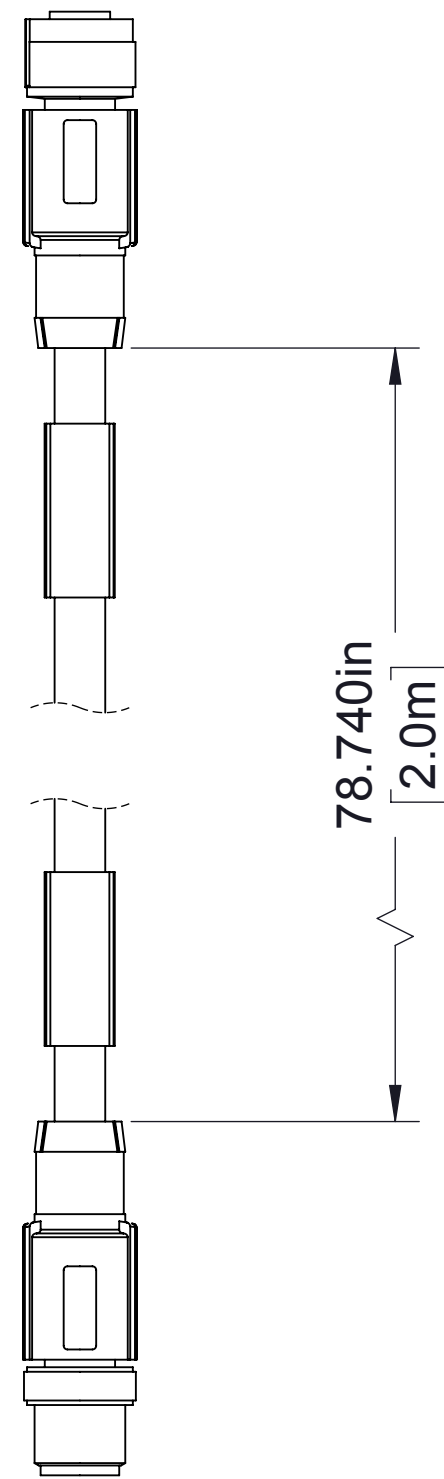
Priming Valve
Part No. 9471

CANbus Cables - Violet

One of each is furnished for each connection,
discard un-used cables



0.5 Meters
Part No. V 4188

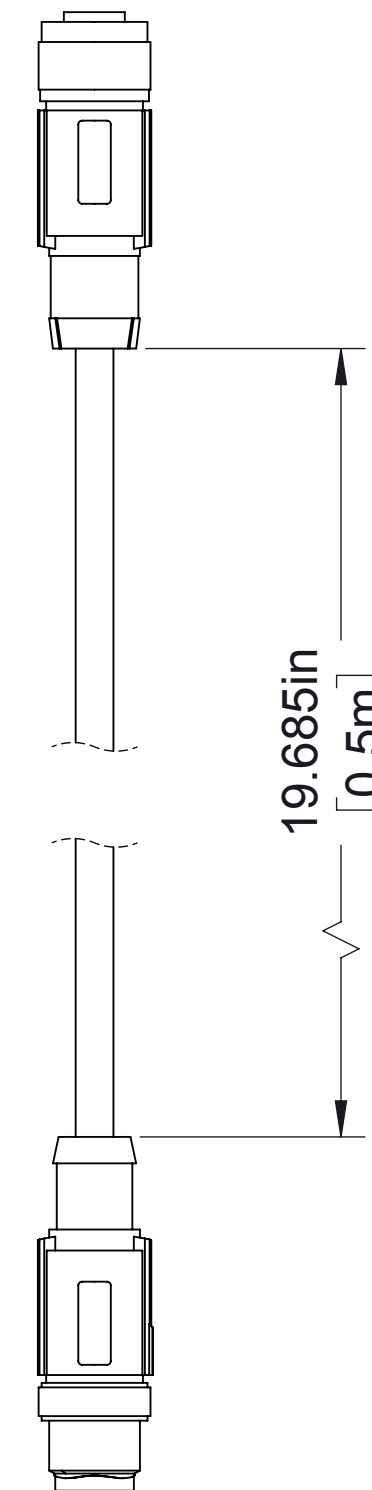


2.0 Meters
Part No. V4189

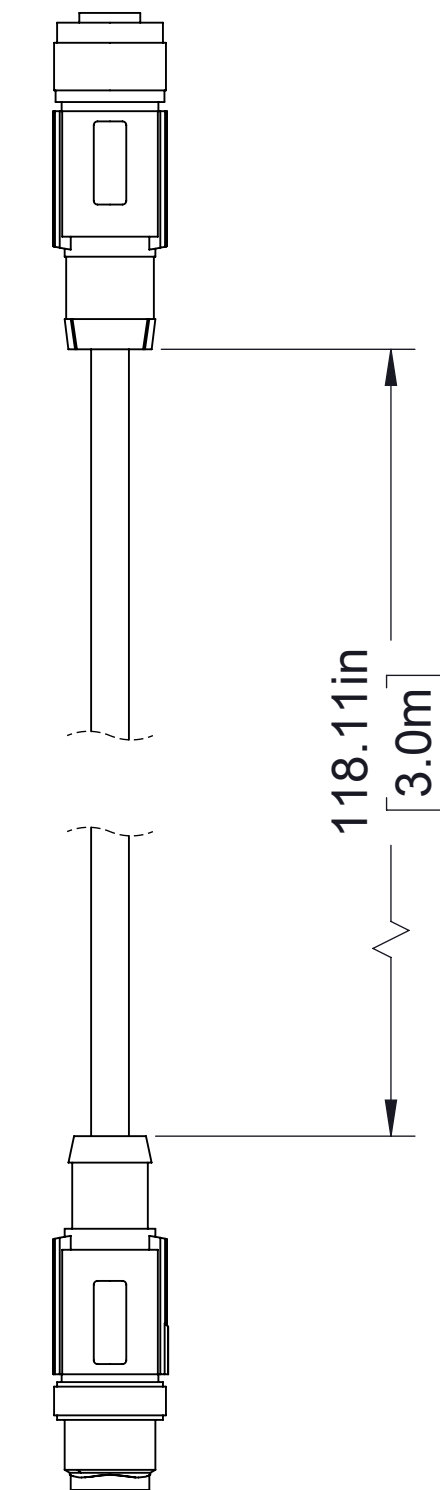
If additional cables are required,
order part numbers shown

Sensor Cables - Yellow or Gray

One of each is furnished for each connection,
discard un-used cables

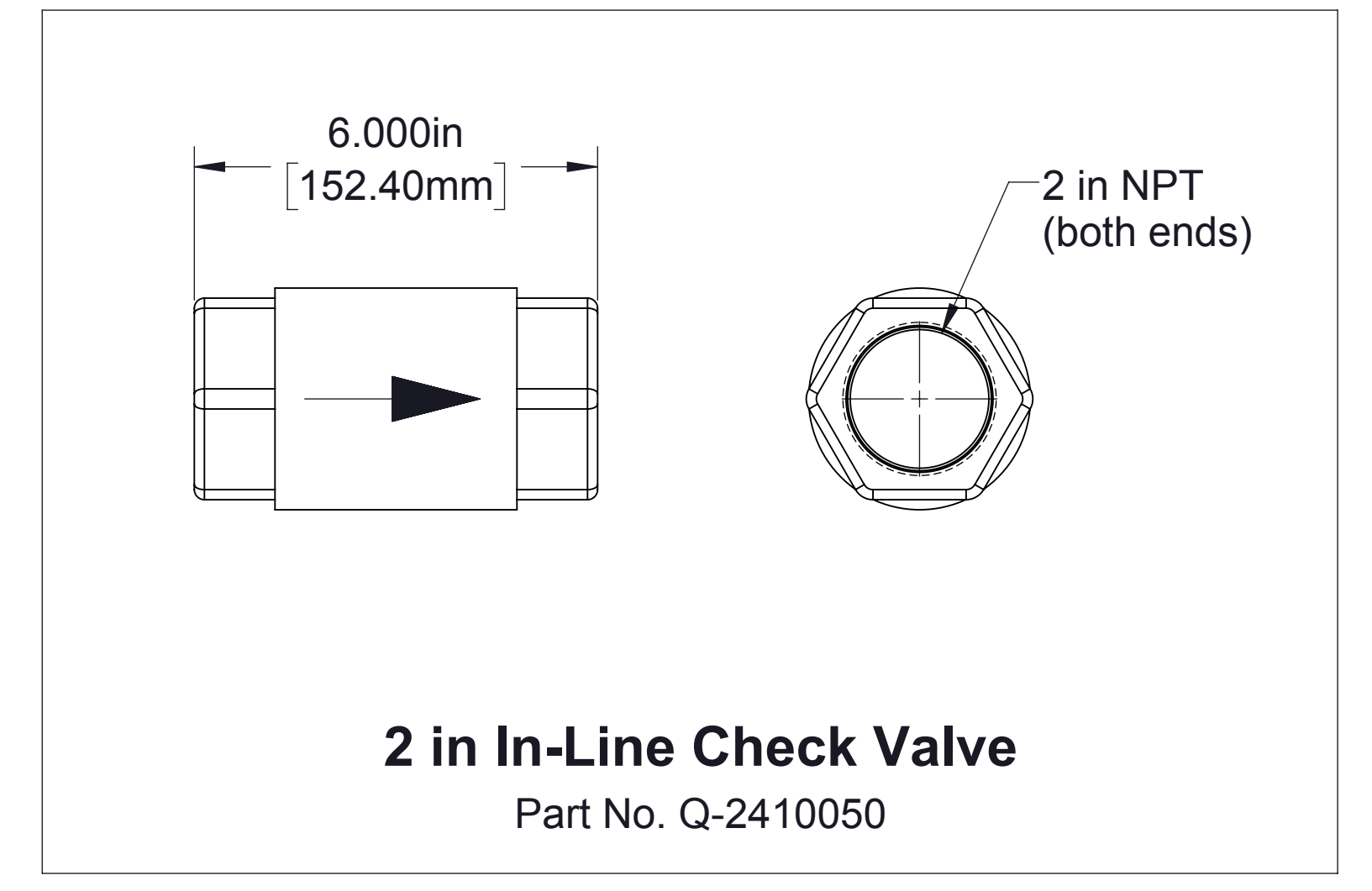
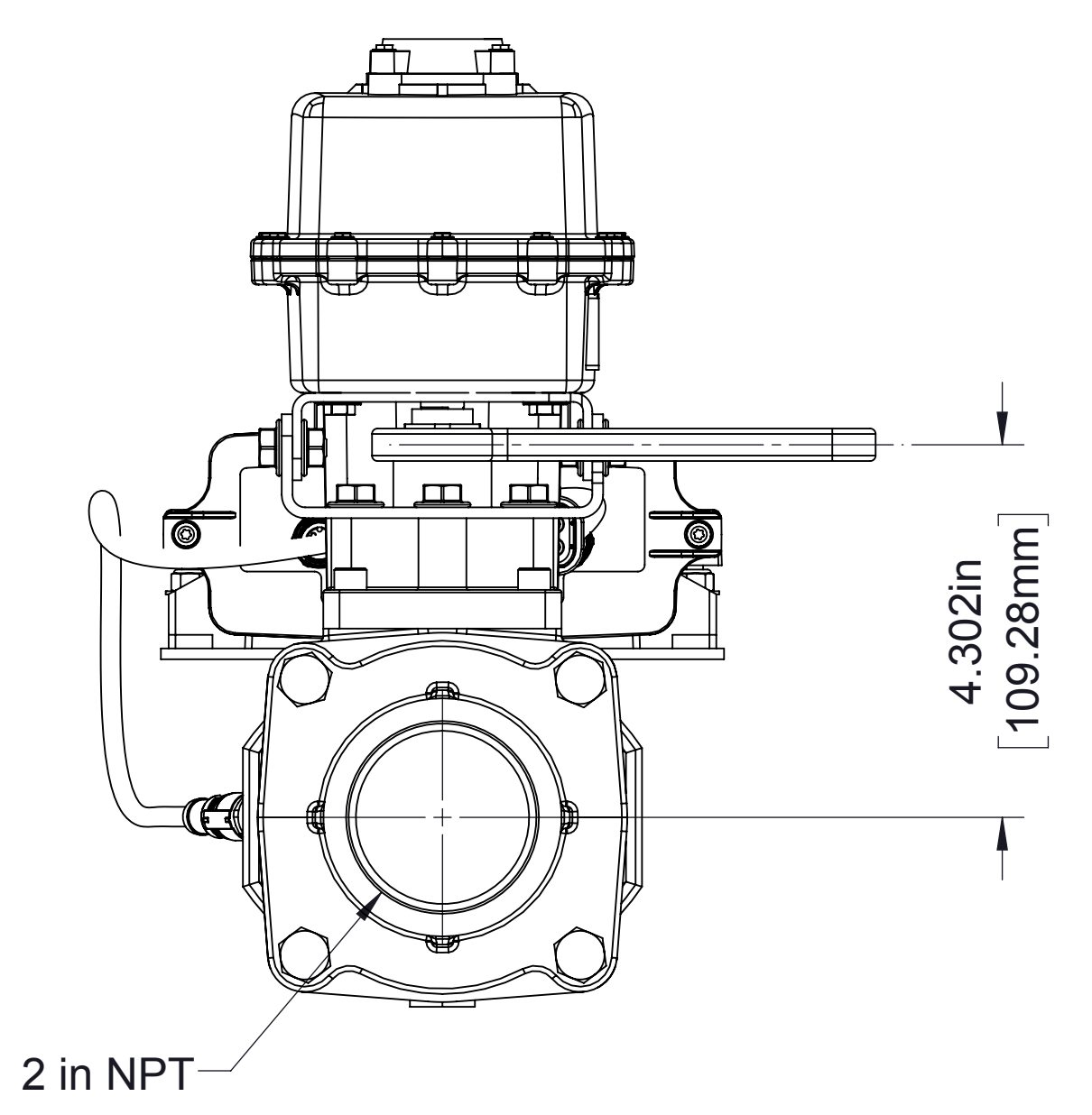
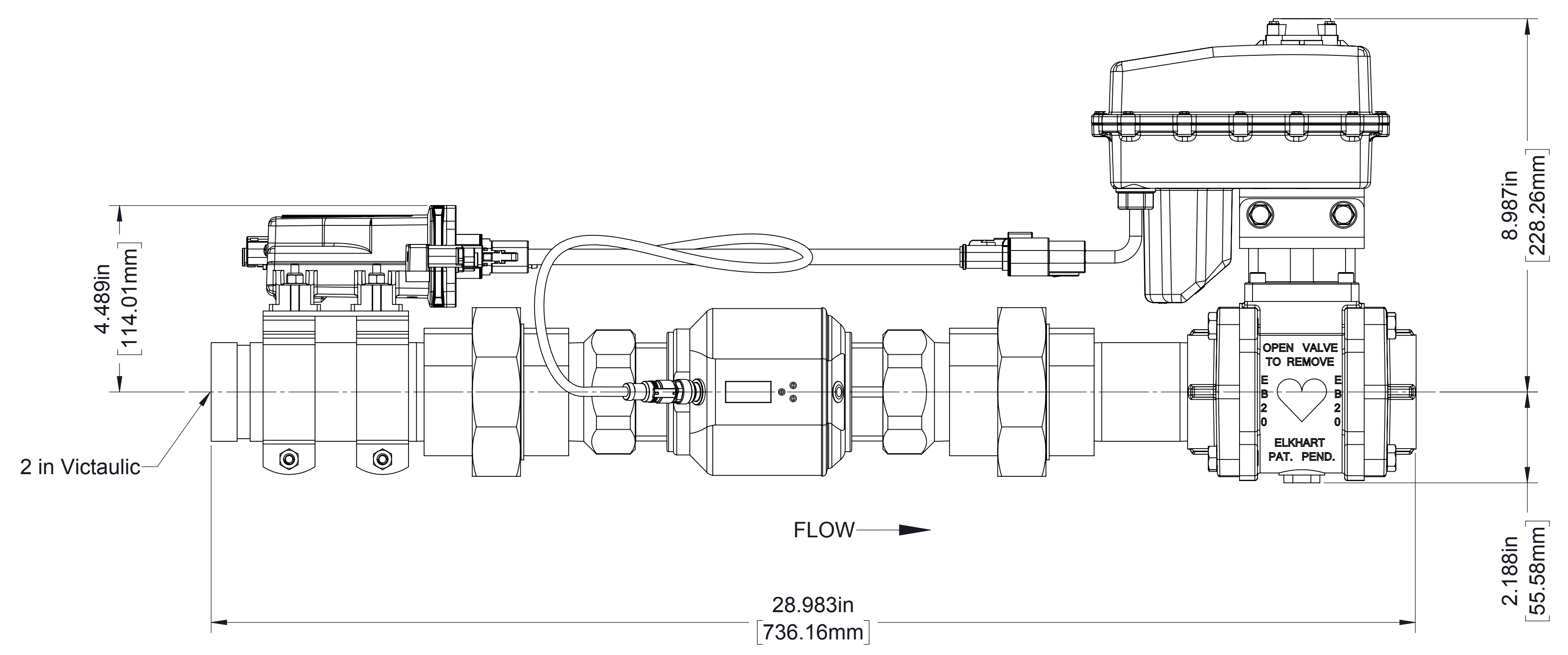
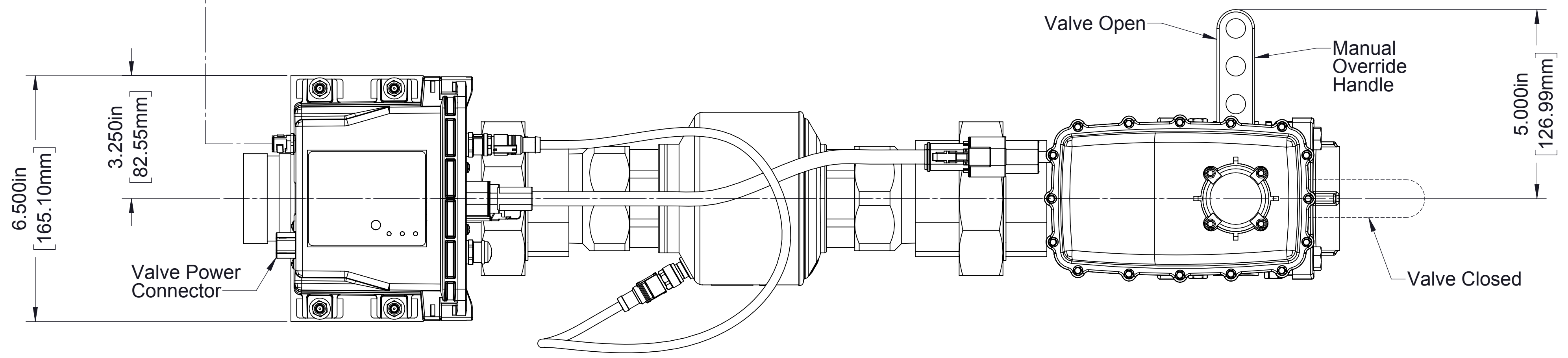
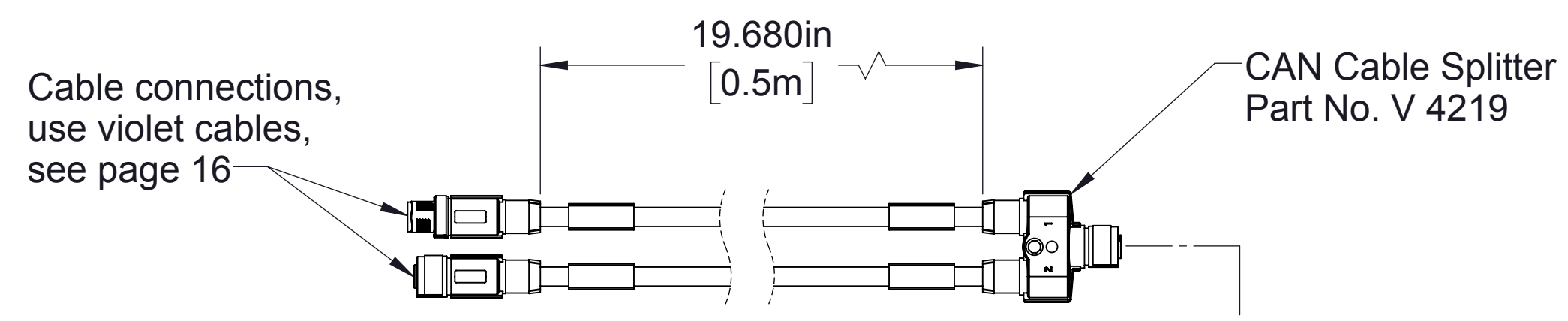


0.5 Meters
Part No. V 4190

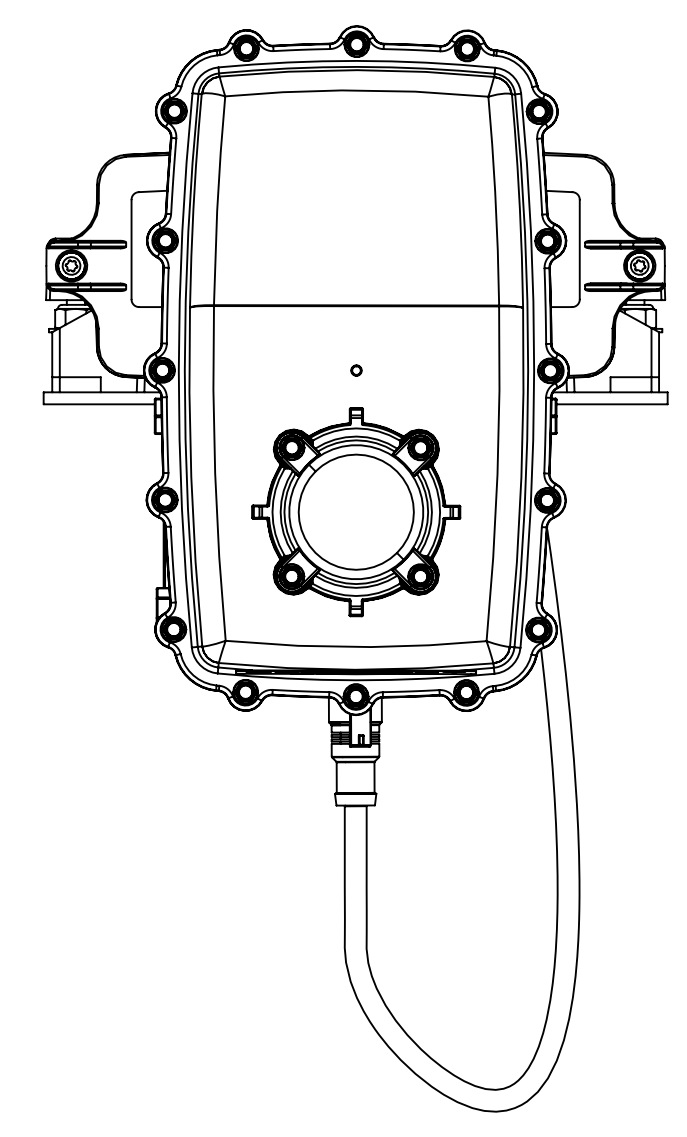
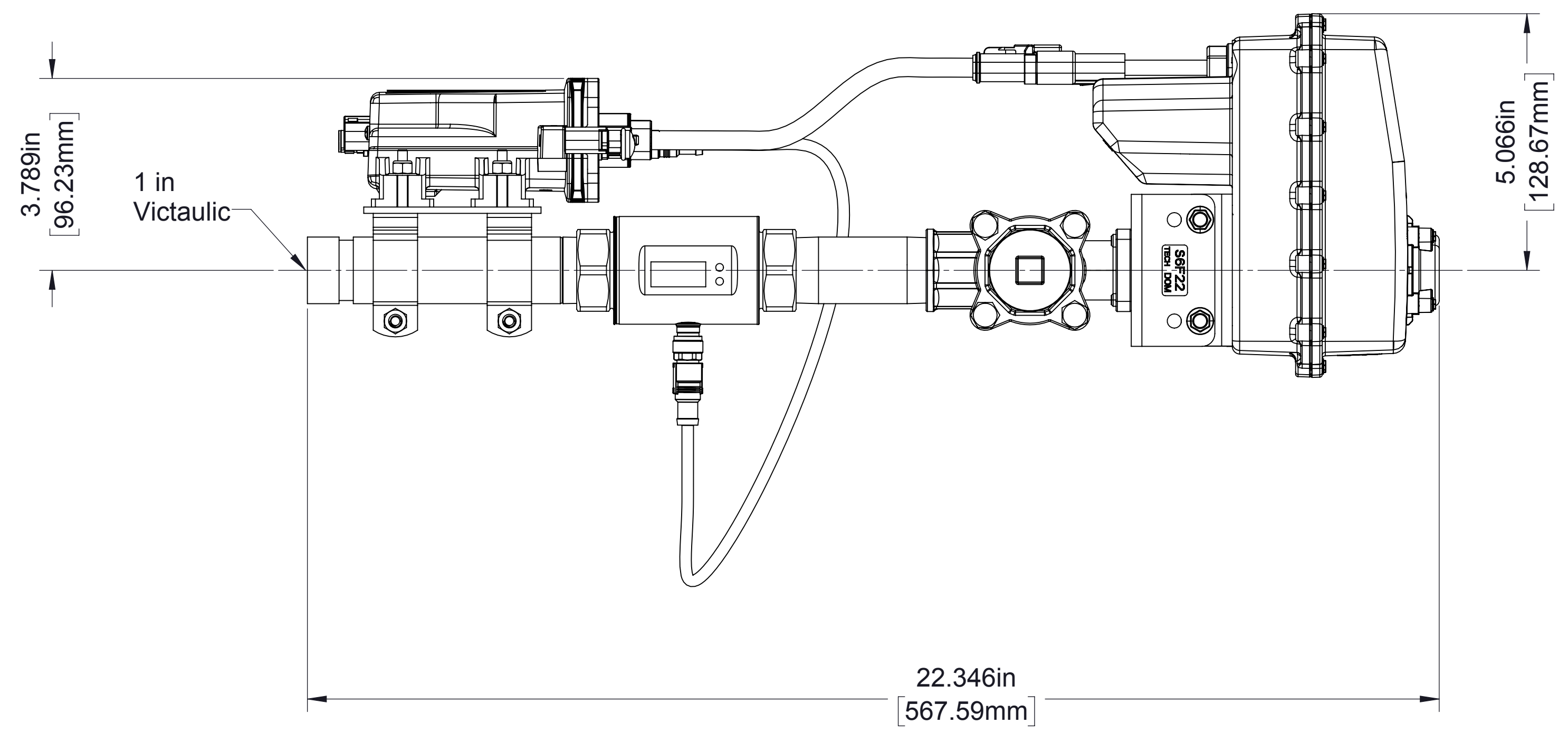
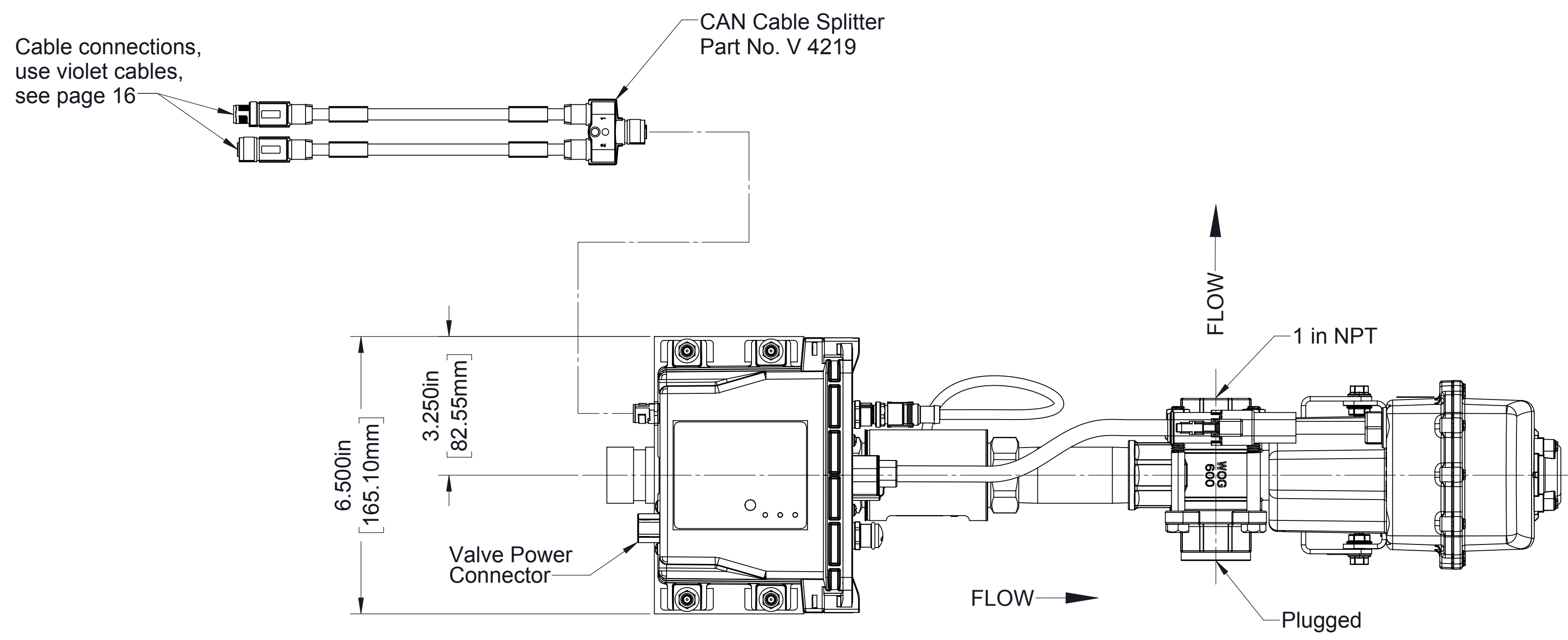


3.0 Meters
Part No. V 4191

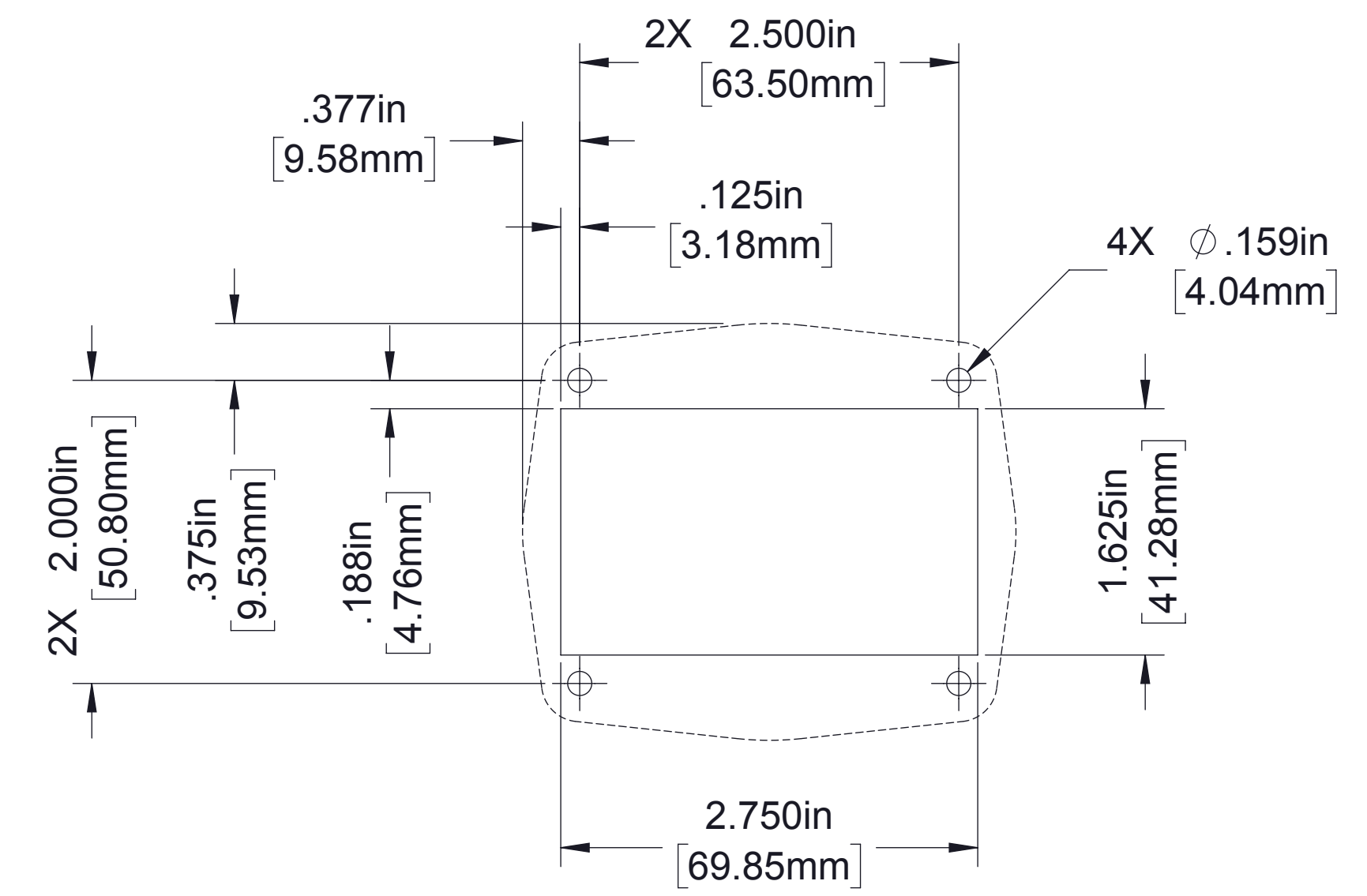
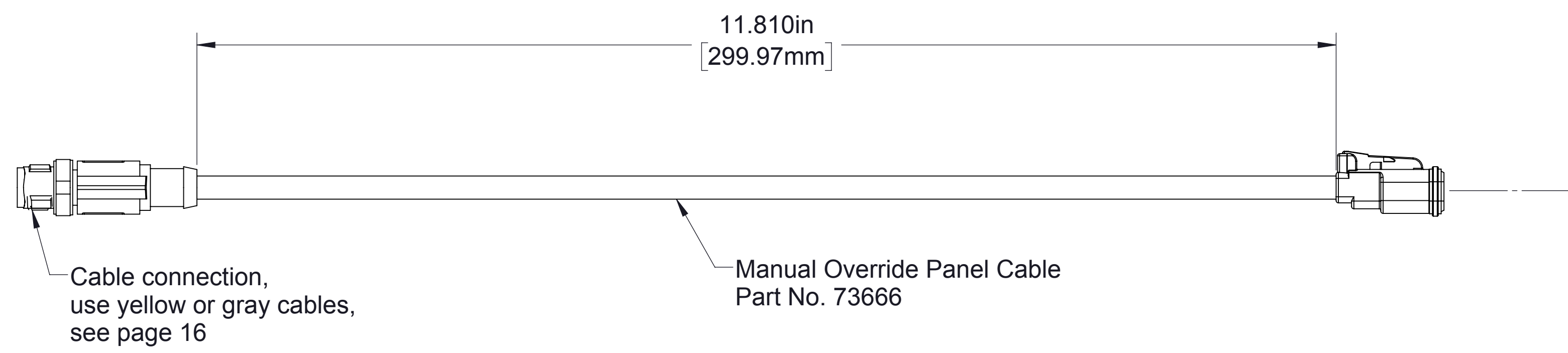
If additional cables are required,
order part numbers shown



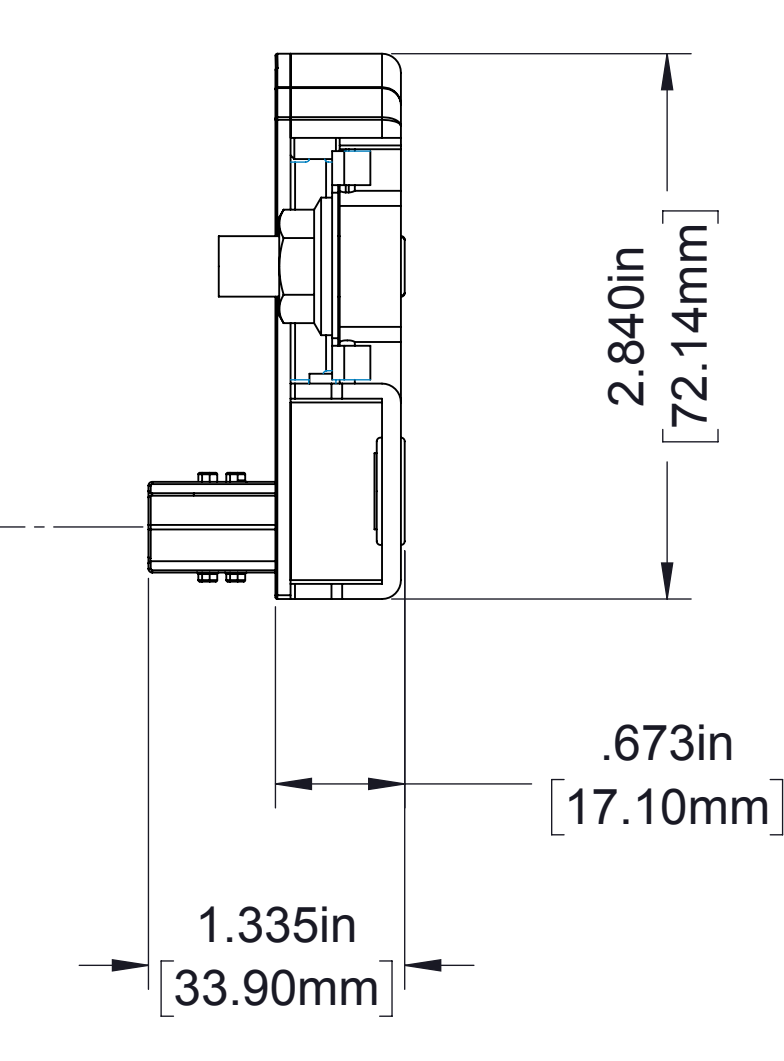
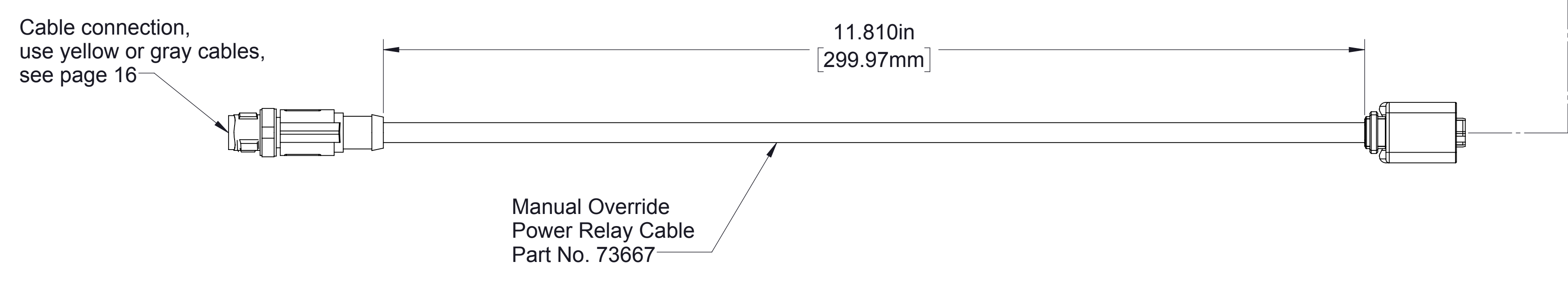
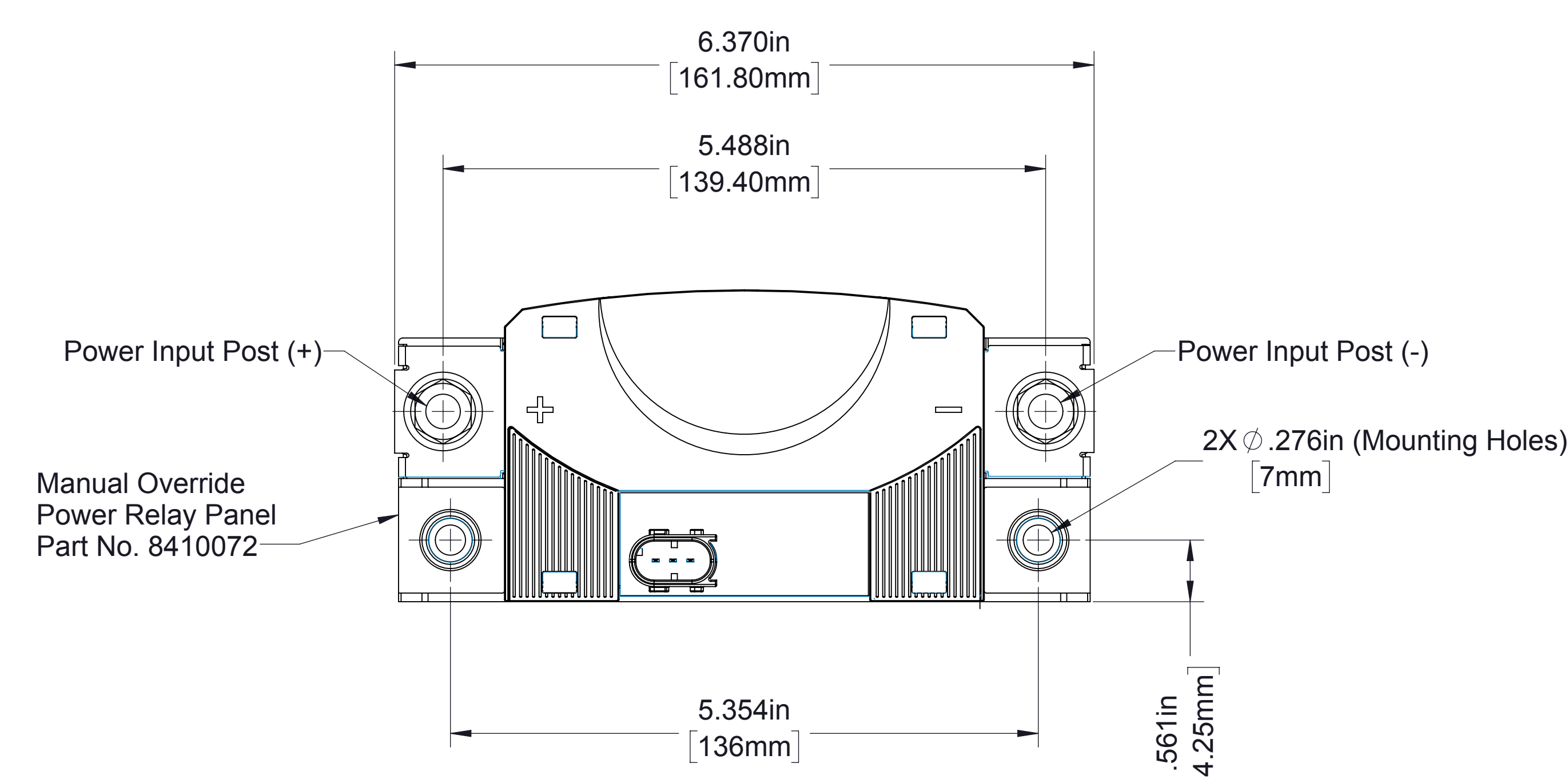
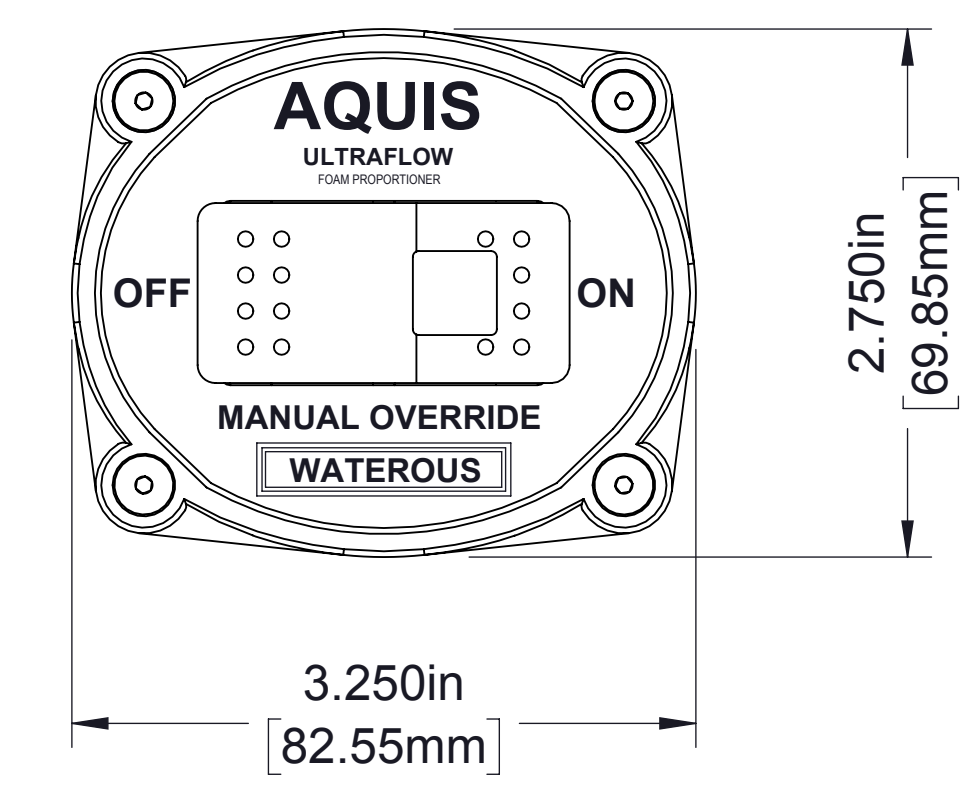
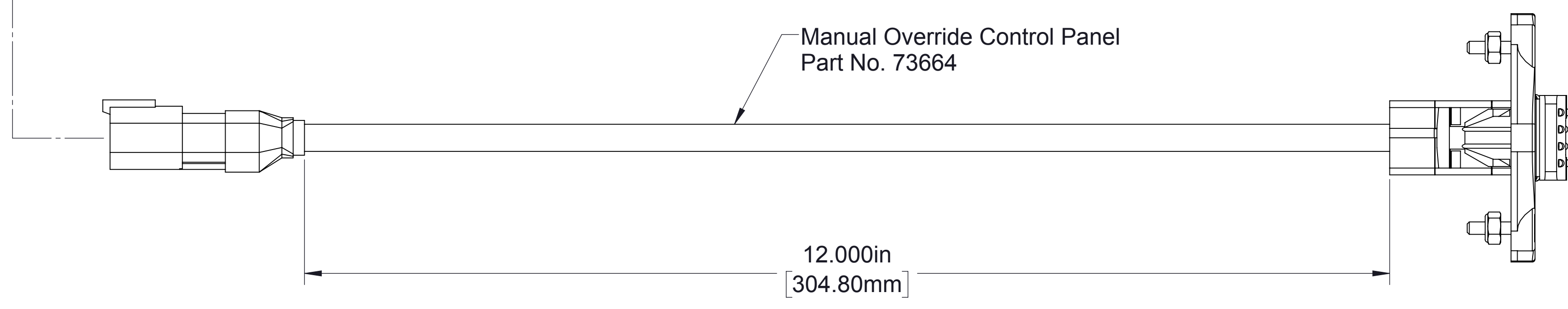
2 in, Concentrate Transfer Valve
Part No. 9470-3



1 in Low Flow By-Pass Valve
Part No. 9466



Panel Hole Layout



Manual Override Control Panel
Part No. L 1222-9

