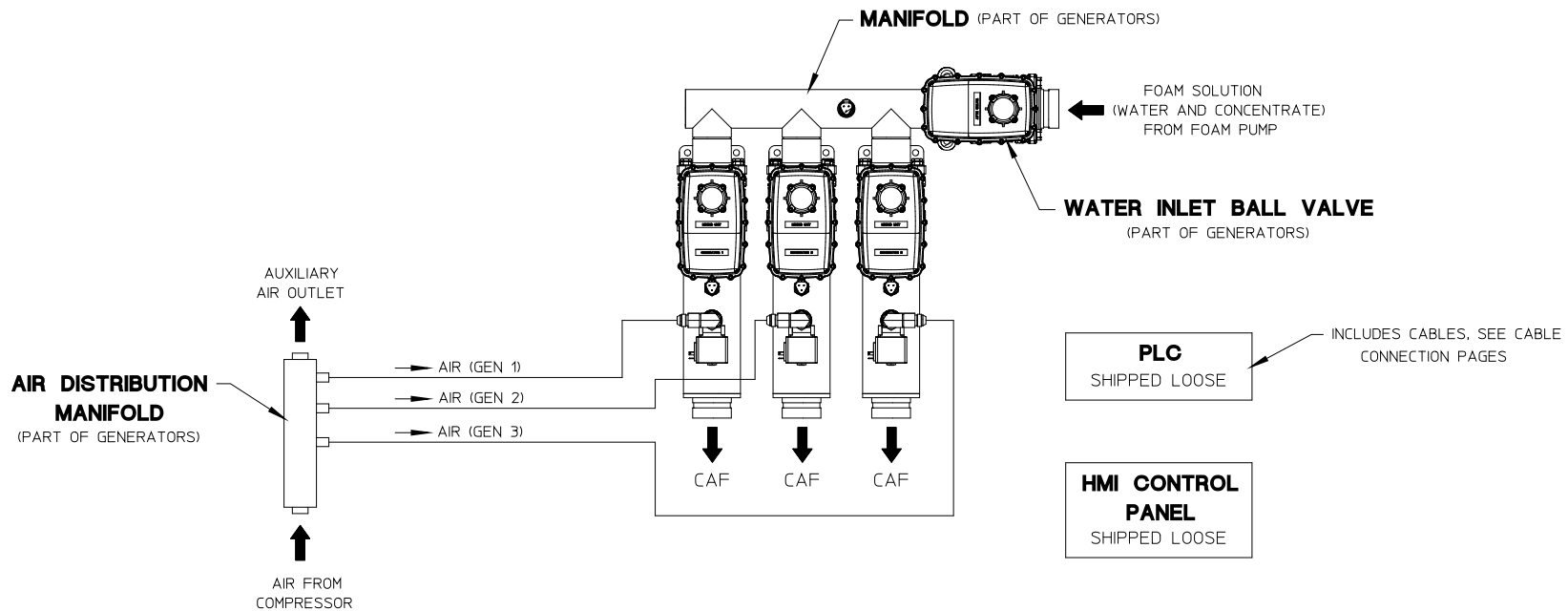


## Foam Generator Components Eclipse GEN 2.0 CAFS

For details of specific components, see the following Dimensional Drawings:

Item	See Page		
	Double Generators	Triple Generators	
		Without High Rise	With High Rise
Components	2	2	2
Cable Connections	3	4	5
PLC Distribution Block Functions	6	6	7

Product	Drawing
Foam Generators	DPL83637

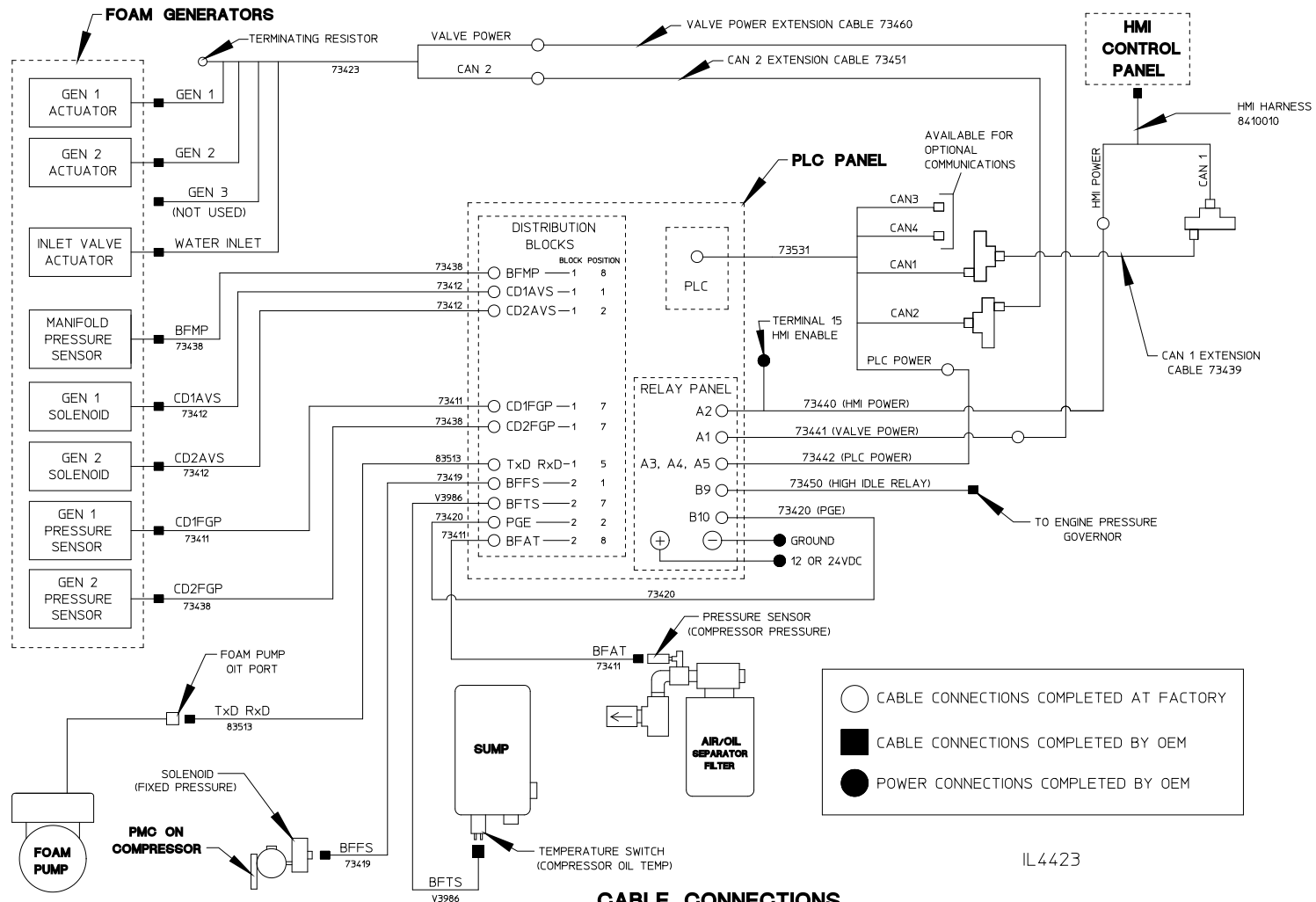


IL4422

## FOAM GENERATOR COMPONENTS

ECLIPSE GEN 2.0 CAFS

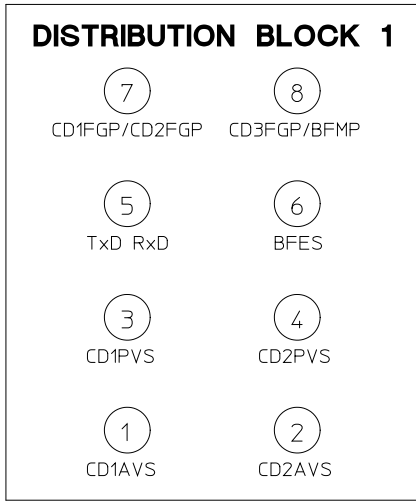
ITEMS IN BOLD TEXT ARE FURNISHED WITH EACH SYSTEM



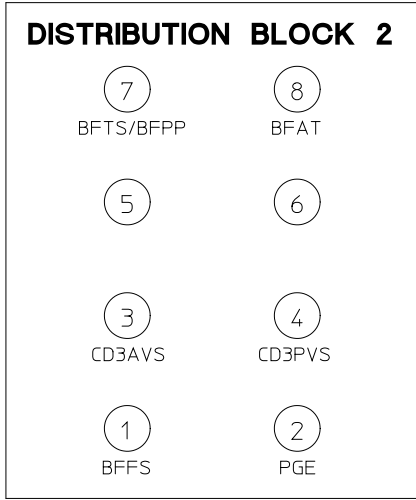
**CABLE CONNECTIONS**  
DOUBLE GENERATORS







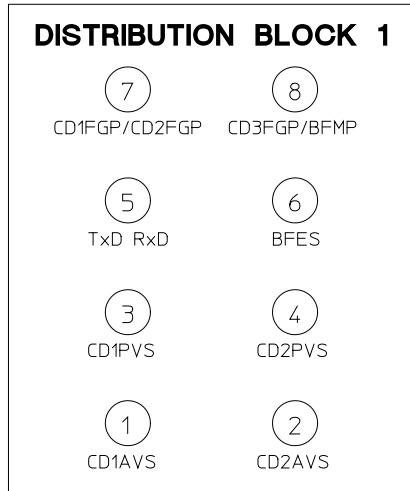
POSITION	LABEL	FUNCTION
8	CD3FGP	GENERATOR 3 PRESSURE SENSOR
	BFMP	GENERATOR MANIFOLD PRESSURE
7	CD1FGP	GENERATOR 1 PRESSURE SENSOR
	CD2FGP	GENERATOR 2 PRESSURE SENSOR
6	BFES	NOT USED (USED FOR ENGINE SPEED ON SLIDE-IN UNITS)
5	TxD RxD	FOAM PUMP
4	CD2PVS	NOT USED
3	CD1PVS	NOT USED
2	CD2AVS	GENERATOR 2 AIR SOLENOID
1	CD1AVS	GENERATOR 1 AIR SOLENOID



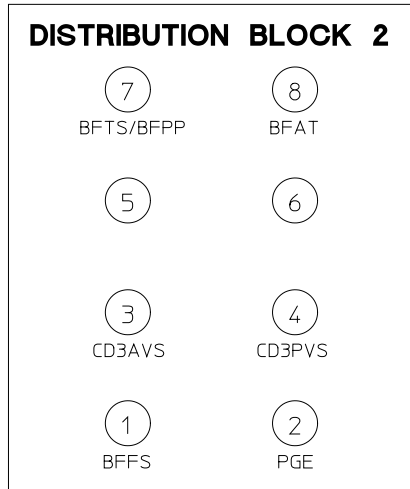
POSITION	LABEL	FUNCTION
8	BFAT	COMPRESSOR AIR PRESSURE (SEPARATOR FILTER)
7	BFTS	COMPRESSOR OIL TEMPERATURE SENSOR (SUMP)
	BFPP	NOT USED (USED FOR PUMP PRESSURE ON SLIDE-IN UNITS)
6	NOT USED	NOT USED
5	NOT USED	NOT USED
4	CD3PVS	NOT USED
3	CD3AVS	GENERATOR 3 AIR SOLENOID
2	PGE	PRESSURE GOVERNOR ENABLE
1	BFFS	FIXED SOLENOID AIR PRESSURE (COMPRESSOR PMC)

IL4426

**PLC DISTRIBUTION BLOCK FUNCTIONS**  
NON-HIGH RISE CONFIGURATIONS



POSITION	LABEL	FUNCTION
8	CD3FGP	GENERATOR 3 PRESSURE SENSOR
	BFMP	GENERATOR MANIFOLD PRESSURE
7	CD1FGP	GENERATOR 1 PRESSURE SENSOR
	CD2FGP	GENERATOR 2 PRESSURE SENSOR
6	BFES	NOT USED (USED FOR ENGINE SPEED ON SLIDE-IN UNITS)
5	TxD RxD	FOAM PUMP
4	CD2PVS	NOT USED
3	CD1PVS	NOT USED
2	CD2AVS	GENERATOR 2 AIR SOLENOID
1	CD1AVS	GENERATOR 1 AIR SOLENOID



POSITION	LABEL	FUNCTION
8	BFAT	COMPRESSOR AIR PRESSURE (SEPARATOR FILTER)
7	BFTS	COMPRESSOR OIL TEMPERATURE SENSOR (SUMP)
	BFPP	NOT USED (USED FOR PUMP PRESSURE ON SLIDE-IN UNITS)
6	NOT USED	NOT USED
5	NOT USED	NOT USED
4	CD3PVS	HIGH RISE PRESSURE SOLENOID (AUTO-SYNC)
3	CD3AVS	GENERATOR 3 AIR SOLENOID
2	PGE	PRESSURE GOVERNOR ENABLE
1	BFFS	NORMAL PRESSURE SOLENOID (AUTO-SYNC)

IL4427

## PLC DISTRIBUTION BLOCK FUNCTIONS

HIGH RISE CONFIGURATIONS