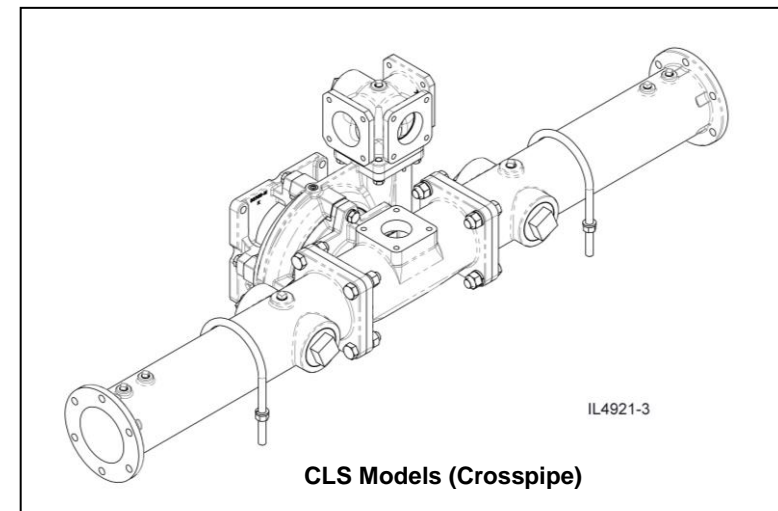
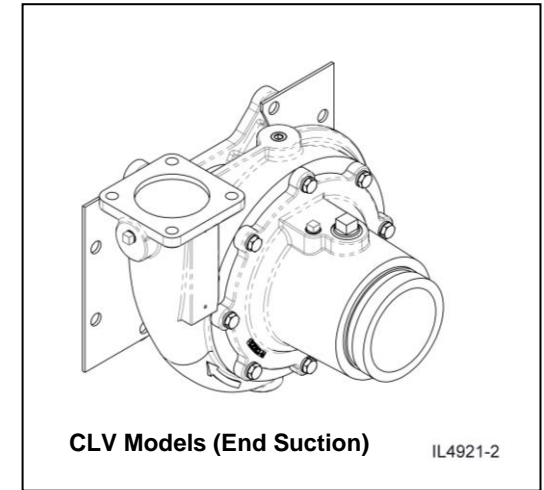
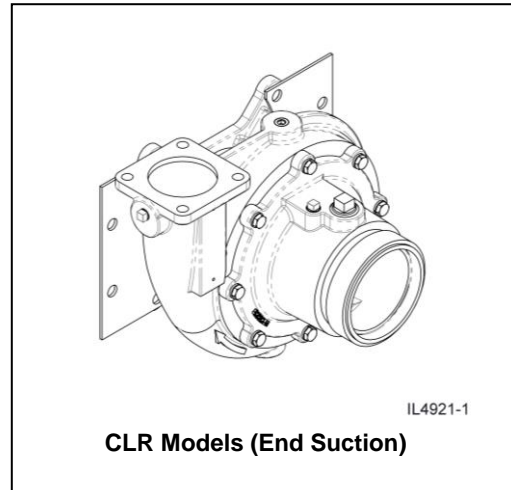


## Fire Pump Models CLR, CLS and CLV Installation Instructions

Waterous Fire Pumps may be ordered with a variety of accessories.  
Refer to the following separate installation instructions as necessary:

- Auto Tank Fill System
- Butterfly Valves
- CAF System
- Discharge Valves
- Drain Valves
- Foam System:
  - Foam Pump
  - Foam Pump Flush Kit
  - Foam Fill
  - Dual Foam Injection Kit
  - Dual Tank Selector
  - Overboard Foam Pick-up
  - Remote Start Kit
- Overheat Protection Manager (OPM)
- Pump Shift (Pneumatic)
- Pressure Control System:
  - Discharge Relief Valve
  - Intake Relief Valve
  - Pressure Governor
- Priming System



**Read through safety information  
and installation instructions  
carefully before installing your  
Waterous Fire Pump.**

Note that Instructions are subject to change  
without notice.

F-1031, Section 3020  
Revised: 10/27/20

## Table on Contents:

<b>Safety Information</b> .....	3
<b>Pump Intake and Discharge Connections</b> .....	4
<b>Pump Orientation Definitions</b> .....	4
<b>Available Pump Drives</b> .....	4
<b>Pump Mounting</b> .....	5
<b>Mounting Locations:</b>	
<b>CLR and CLV End Suction Models:</b>	
With K Model Transmission.....	6
With PA Model Transmission.....	7
With T Model Transmission.....	8
<b>CLS Crosspipe Models:</b>	
With K Model Transmission.....	9
With PA Model Transmission.....	10
<b>Optional Suspension Pin Mounting Method:</b>	
With Model K Transmissions Only.....	11
<b>Tachometer Connection:</b>	
Available on PA Transmissions Only.....	12
<b>Optional Corrosion Protection</b> .....	13
<b>Final Checks:</b>	
Lubrication.....	14
Testing.....	14



Read through and communicate safety information to the end user of this Waterous Fire Pump.

 **WARNING**

Death or serious personal injury might occur if proper operating procedures are not followed. The pump operator, as well as individuals connecting supply or discharge hoses to the apparatus must be familiar with these pump operating instructions as well as other operating instructions and manuals for the apparatus, water hydraulics and component limitation.

 **WARNING**

**Pressure Hazard. May result in personal injury.**

Prior to connection or removal of hoses, caps or other closures with pump intake or pump discharge connections, relieve pressure by opening drains or bleeder valves. Bleeder valves should also be used while filling a hose connected to an intake with water.

 **WARNING**

**Scalding Water Hazard. May result in serious burns.**

When operating the pump, be sure to open at least one discharge valve slightly to prevent the pump from overheating. If the pump runs for a few minutes completely closed, it may heat the water enough to scald someone when the valve is opened. Overheating can damage the packing, seals and other pump parts. If the apparatus builder has installed a by-pass system or other provision designed to prevent overheating, opening a discharge valve may be unnecessary.

 **WARNING**

**Rotating Parts Hazard or Unexpected Truck Movement. May result in serious personal injury or death.**

Stop the engine, set parking brake and chock the wheels before going under the truck to adjust packing or to check packing gland temperature.

## OEM Installation Warnings

 **WARNING**

**Unexpected Truck Movement. May result in serious personal injury or death.**

Failure to properly install the pump shift control and pump shift indicator system in the apparatus or failure to incorporate in the Pump Operator's Panel Engine Speed Interlock System may result in unexpected truck movement which may result in serious personal injury or death.

 **WARNING**

**Inability to Pump Water. May result in serious personal injury or death.**

Failure to properly install the pump shift control and pump shift indicator system in the apparatus or failure to incorporate in the Pump Operator's Panel Engine Speed Interlock System may result in the inability to pump water which may result in serious personal injury or death.

 **WARNING**

**Exceeding Power Train Torque Ratings. May result in inability to pump water causing serious personal injury or death.**

This fire pump may have the capability under certain pumping conditions to exceed the torque rating of the power train.

A means to control the engine output to a torque level no greater than the power train's continuous-duty torque rating must be considered when specifying power train components and engine control system parameters.

## Pump Orientation Definitions

Pump and Vehicle Location Definitions used in this Instruction

Fire Pump Location	Relative to Vehicle Location (Vehicle with Left Side Driver's Controls)
Front	Front (Driver's Controls)
Rear	Rear (Rear Wheels)
Left	Driver's Side
Right	Passenger or Curb Side
Top	Up
Bottom	Down

## Pump Intake and Discharge Connections

Pump Model	Intake	Discharge
CLR	4 in. NH or 4 in. BSP Thread	Various Options: Waterous 2-1/2 in. 4-Bolt Flange, Discharge Head with 2-1/2 in. 4-Bolt Flanges, 3 in. NPT (F) Tapped Flange, 3 in. Victaulic ® Connection
CLS	Left and Right Flanges, 4 in. Flange Waterous Flange, (6) 1/2 in. Bolts on a 5-3/4 in. Bolt Circle	
CLV	4 in. Victaulic ®	

## Available Pump Drives

Drive	Transmission				Complete Pump and Transmission Model		
	Type	Series	Model	Input Shaft Rotation	CLR	CLS	CLV
PTO	Two Gear Speed Increaser	K	K	Clockwise or Counter Clockwise	CLRK	CLSK	CLVK
	Chain Drive Speed Increaser	P	PA	Clockwise	CLRPA	CLSPA	CLVPA
Directly Mounted to an Engine	Two Gear Speed Increaser	T	T	Clockwise or Counter Clockwise	CLRT	-	CLVT

## Pump Mounting

Select a mounting location which will make the pump and its accessories readily accessible for maintenance and which will make the pump driveshaft parallel with the output shaft of the chassis transmission or transfer case. Also, select the location so that when the apparatus is loaded, the universal joints on the propeller shaft will have a proper working angle. Be sure the propeller shaft used are of the slip-joint design. Frame deflection, temperature changes and similar factors may cause a propeller shaft without slip-joints to produce severe axial loads on the bearings and damage the pump.

Be sure to keep at least a minimum of 1° U-joint operating angle. This is the preferred method of propeller shaft installation. For additional information on this method, or for alternative methods, see drive shaft installation guidelines such as Spicer® / Driveshaft Installation Techniques.

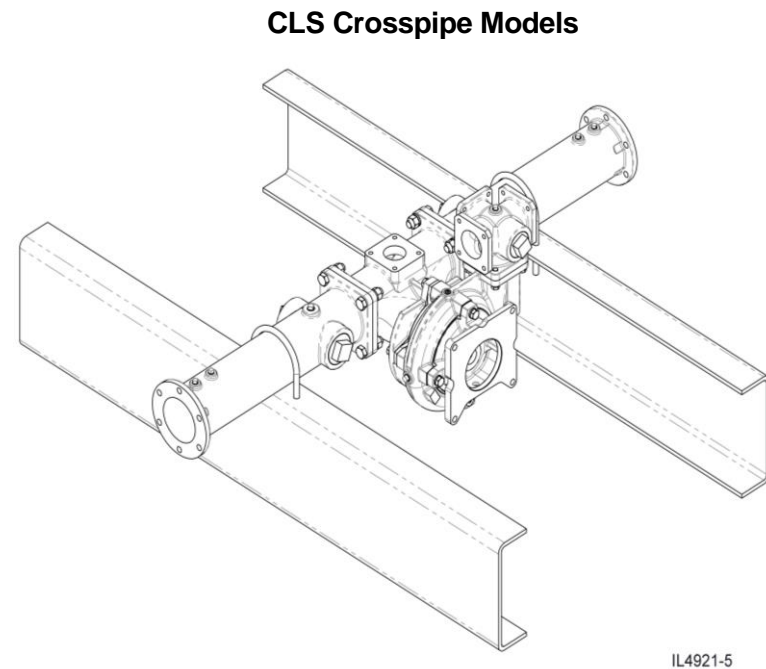
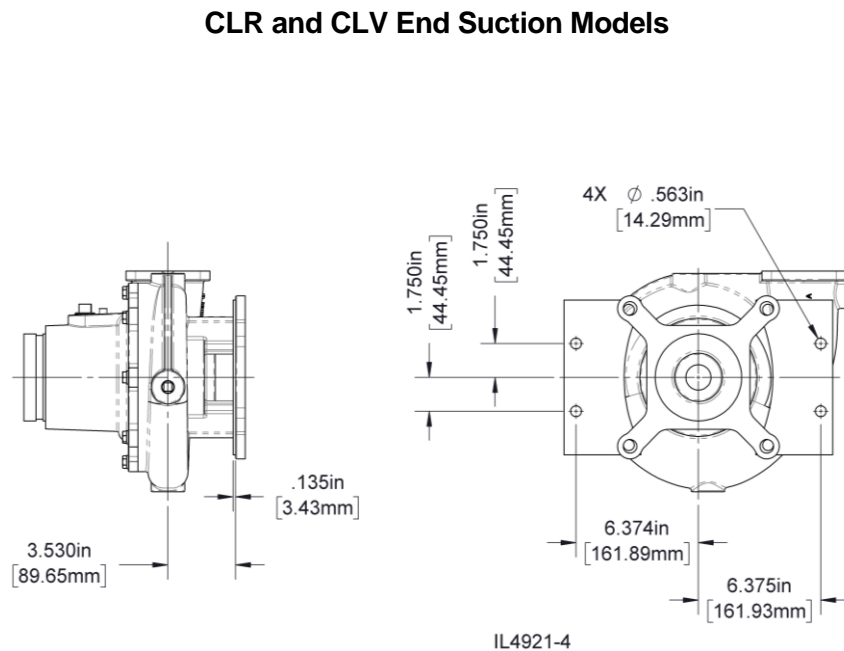
**Driveline End Yokes and Companion Flanges:** Anti-seize should be applied to the shaft threads before installing end yoke or companion flange. Use self-locking nuts supplied, torque to 275-325 lb-ft. Do not re-use nuts if end yoke or companion flange is removed.

### CLR and CLV End Suction Models:

Brackets must be fabricated to attach to the mounting points of the pump and the chassis frame. Tighten the mounting hardware to standard torque specifications.

### CLS Crosspipe Models:

The diagram below shows a typical installation where the pump crosspipe is attached to the chassis frame rails with U-bolts. To mount the pump, drill suitably sized holes corresponding to the u-bolts. The u-bolts are furnished with the pump along with hex nuts and washers.

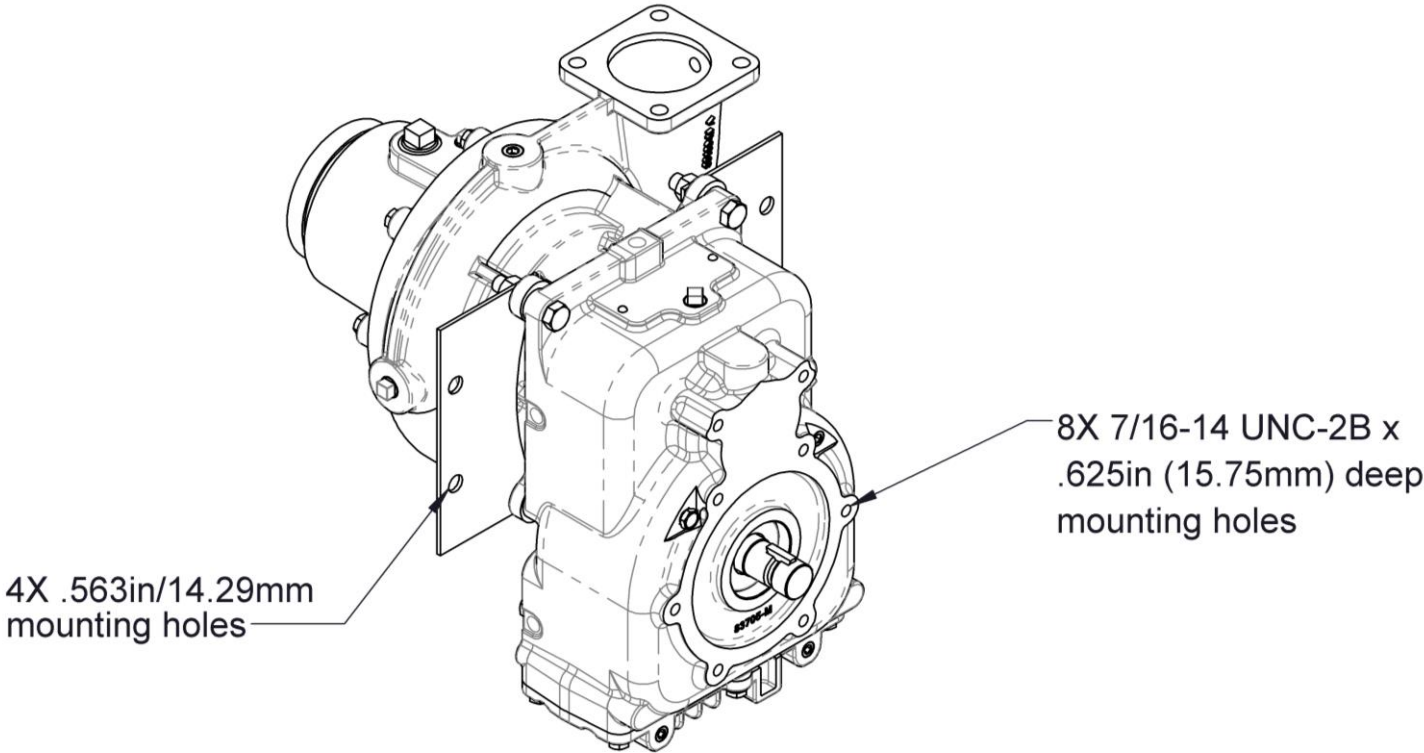


# Mounting Locations

## CLR and CLV End Suction with Model K Transmission

Note that the Pump Discharge only may be positioned Up, Right, Left or Down. The Transmission may be mounted Vertical, Right, Left or Inverted.

Refer to the configuration of the pump you ordered and Pump Dimensional Drawing for details specific to your pump.



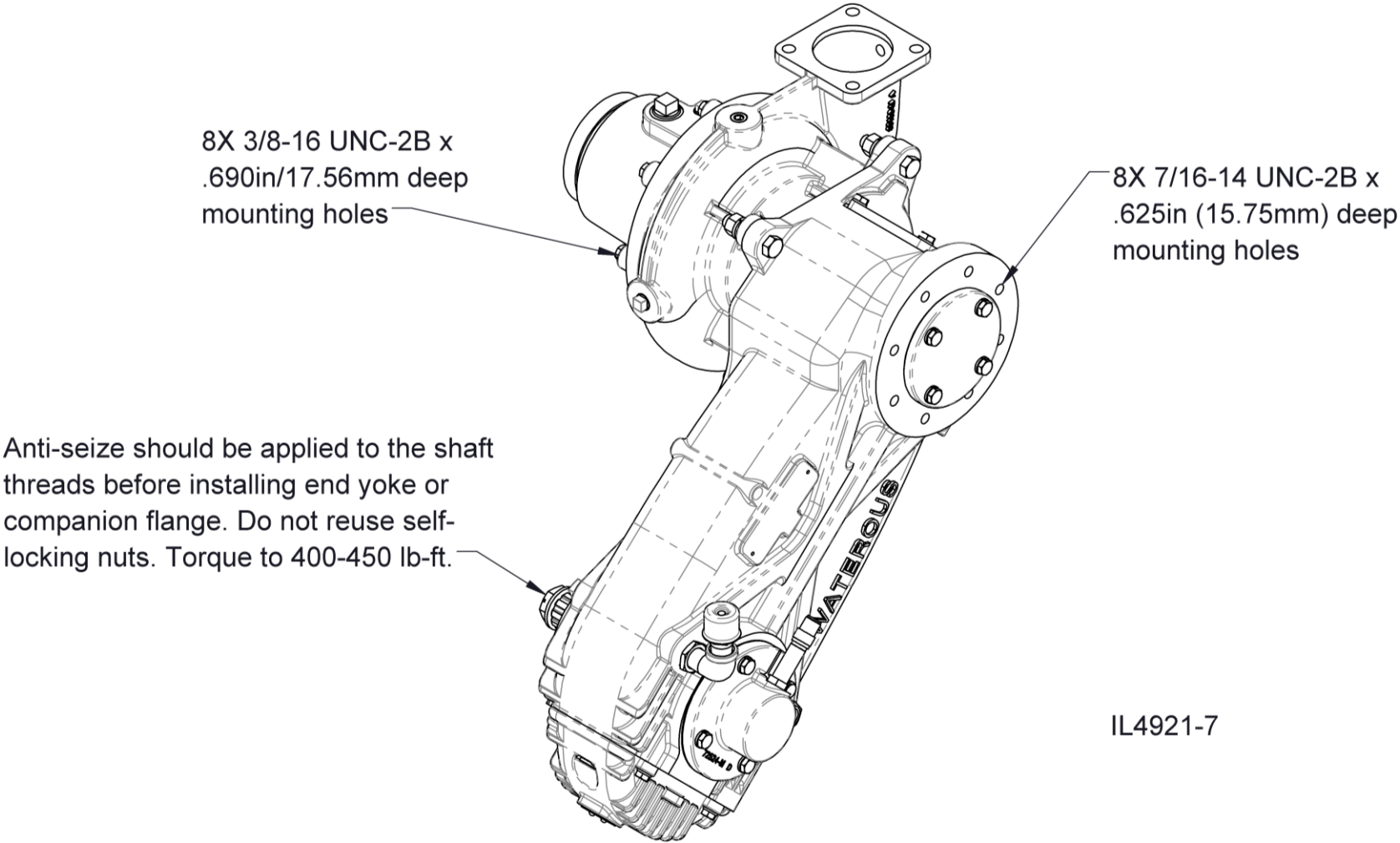
IL4921-6

# Mounting Locations

## CLR and CLV End Suction with Model PA Transmission

Refer to the Pump Dimensional Drawing for details specific to your pump.

Anti-seize should be applied to the shaft threads before installing end yoke or companion flange. Do not reuse self-locking nuts, torque to 400-450 lb-ft.

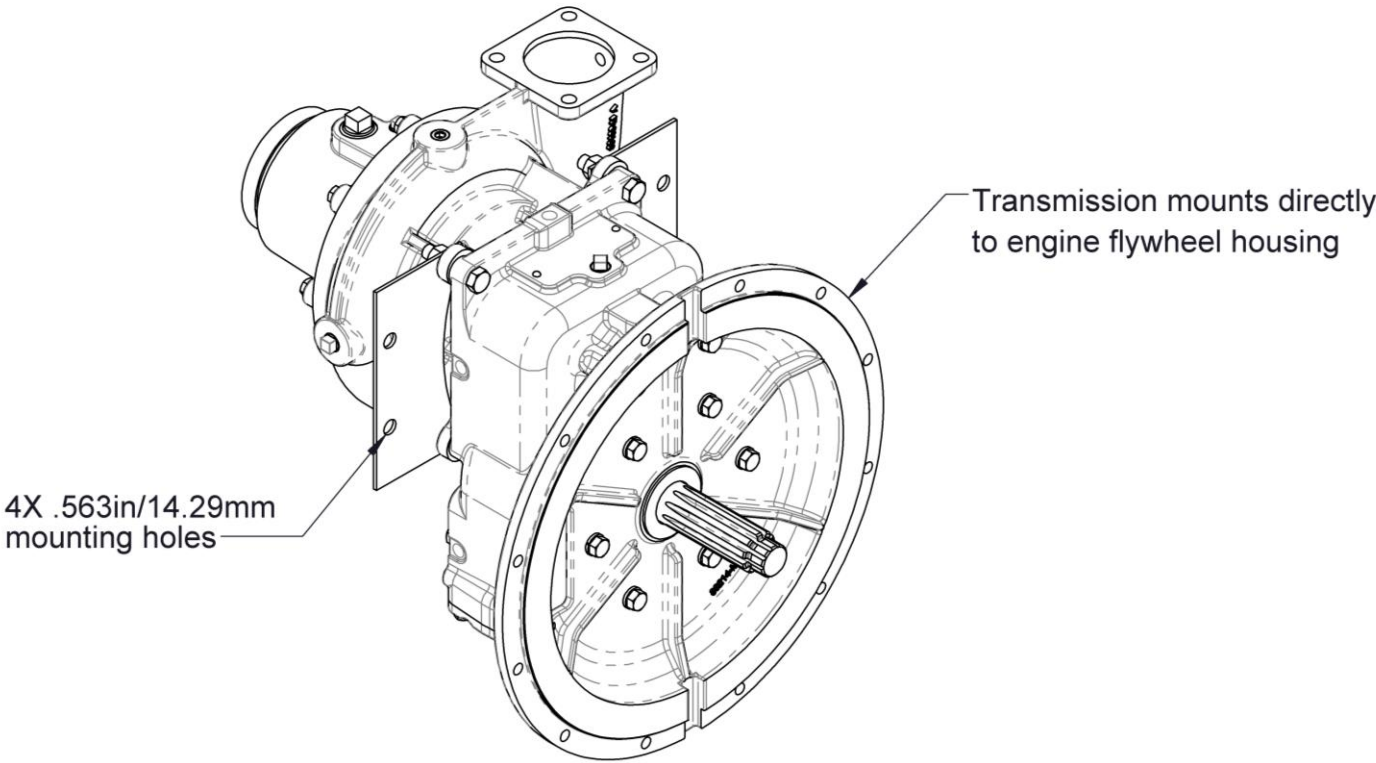




# Mounting Locations

## CLR and CLV End Suction with Model T Transmission

Note that the Pump Discharge only may be positioned Up, Right, Left or Down. The Transmission may be mounted Vertical, Right, Left or Inverted.  
Refer to the configuration of the pump you ordered and Pump Dimensional Drawing for details specific to your pump.



IL4921-8

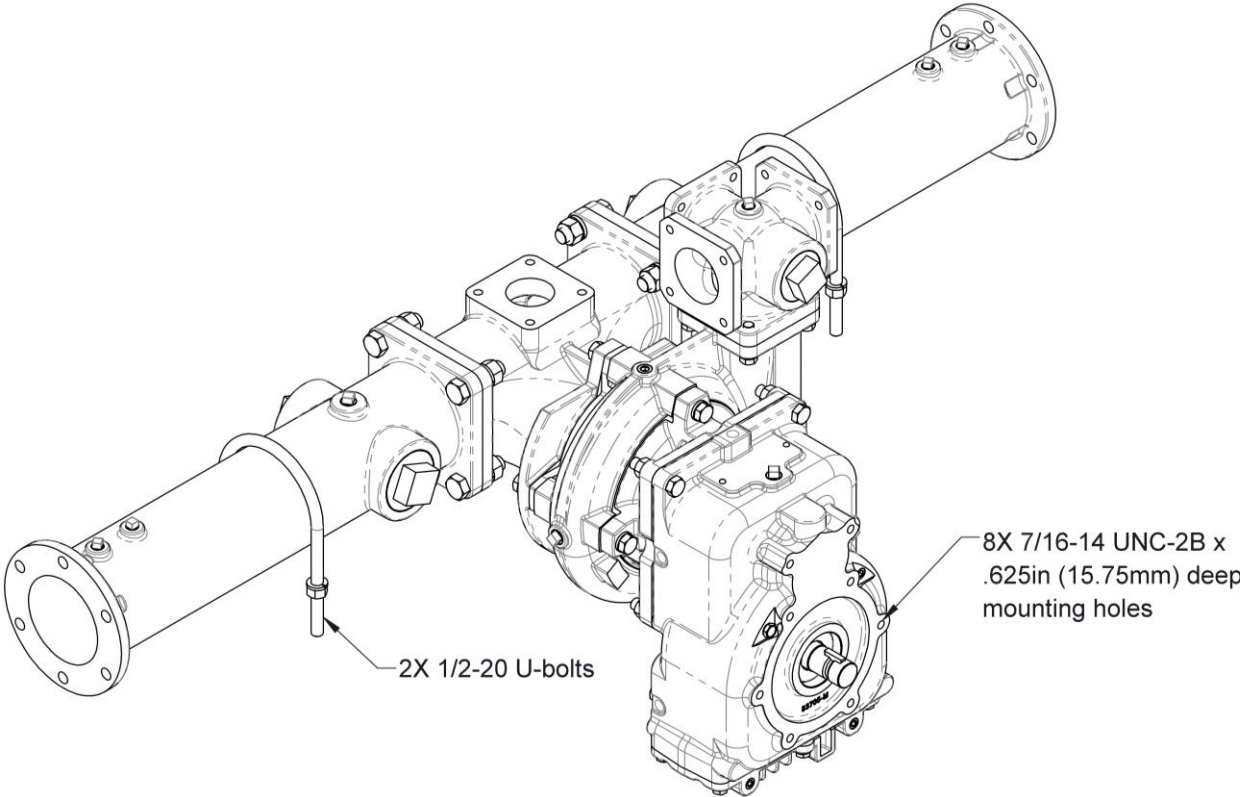


# Mounting Locations

## CLS Crosspipe with Model K Transmission

Note that the Pump Discharge only may be positioned Up, Right, Left or Down, The Transmission may be mounted Vertical, Right, Left or Inverted.

Refer to the configuration of the pump you ordered and Pump Dimensional Drawing for details specific to your pump.



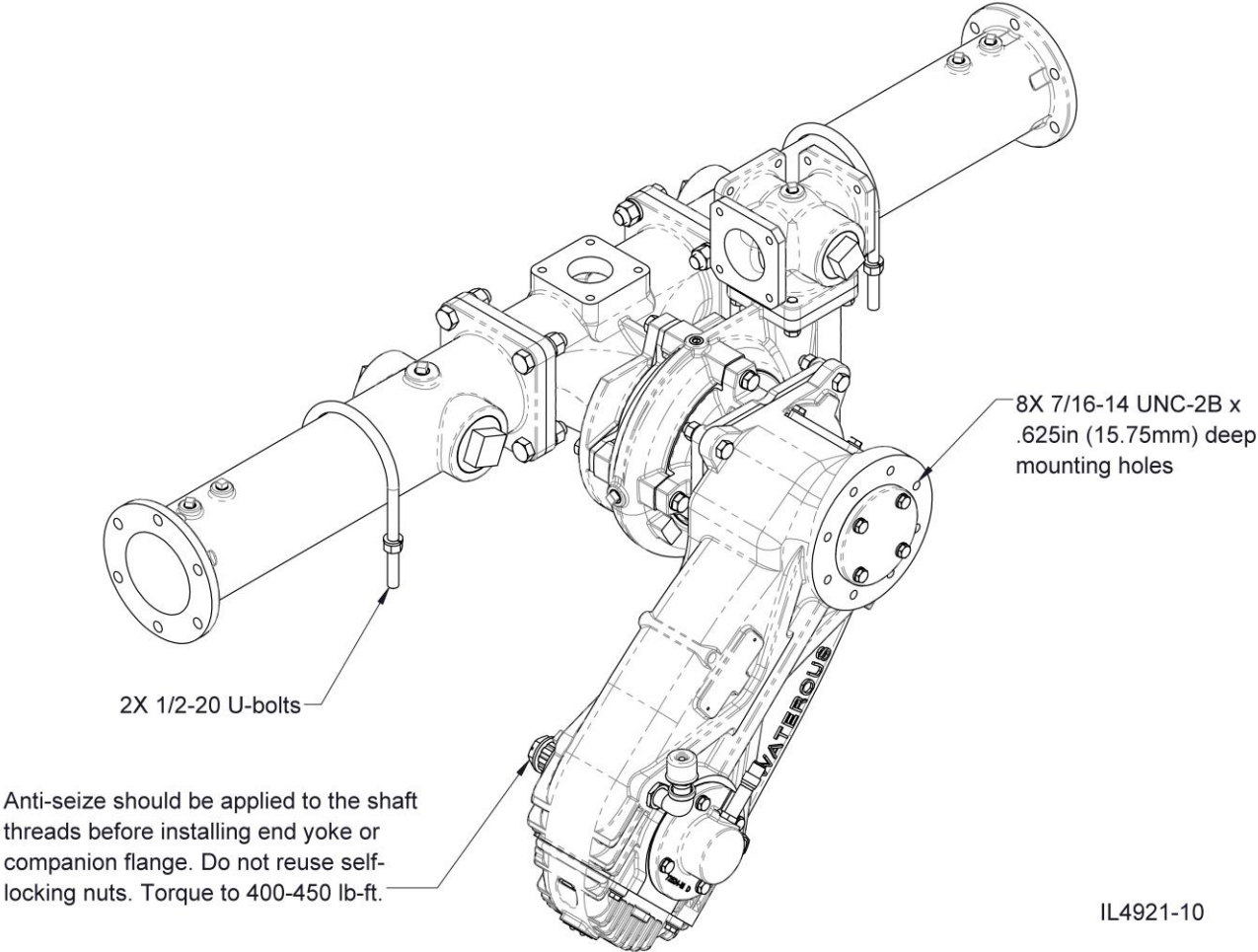
IL4921-9

# Mounting Locations

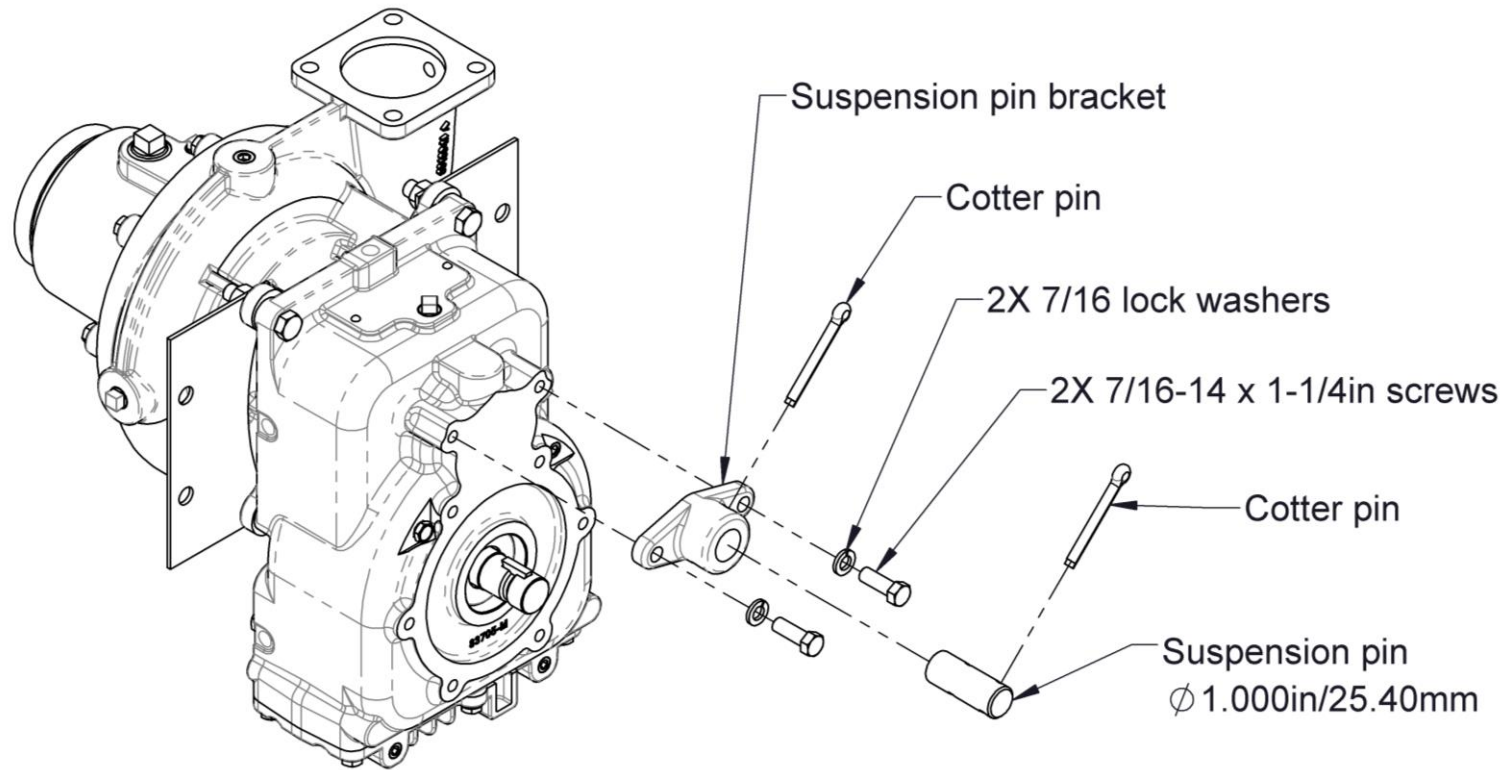
## CLS Crosspipe with Model PA Transmission

Refer to the pump Dimensional Drawing for details specific to your pump.

Anti-seize should be applied to the shaft threads before installing end yoke or companion flange. Do not reuse self-locking nuts, torque to 400-425 lb-ft.



## Optional Suspension Pin Mounting Method With Model K Transmissions Only



IL4921-11

# **Tachometer Connection**

## **Electronic Tachometer**

### **Standard on PA Model Transmissions**

The magnetic pick-up in the transmission mates with an Amphenol connector (P/N MS3106A-10SL-4S).

This connector should be wired to a wall mount receptacle on the operator's panel.

Cable assembly part number 63033 is available from Waterous.

To verify the rotational speed of the drive shaft, the frequency (Hz) reading from the tachometer sensor should be multiplied by 6.

$$\text{Hz} \times 6 = \text{RPM}$$

NOTE: Frequency reading can be measured with a hand-held multimeter.

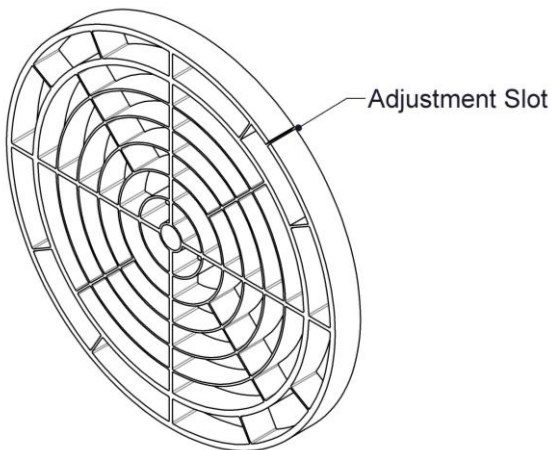
Cable connector assembly part number V 3398 is available from Waterous for connecting panel mounted receptacle to multimeter.

## Optional Corrosion Protection

### Intake Screens

Waterous offers intake screens that fit 4, 4-1/2, 5 and 6 inch intake fittings sizes. The screen is designed to fit in the counter bore in the inside diameter of the fittings. There must be a strong electrical contact between the screen and the intake fitting. Remove any corrosion, debris or paint from the counter bore that will insulate the screen from the intake fitting. If the screen does not fit tightly, adjust the gap of the slot on the outside diameter of the screen to ensure a tight fit.

**NOTE: Intake screen are die-cast which results in a slight taper from one side to the other. Install the screen with the thinner cross-section facing out to minimize flow restriction.**



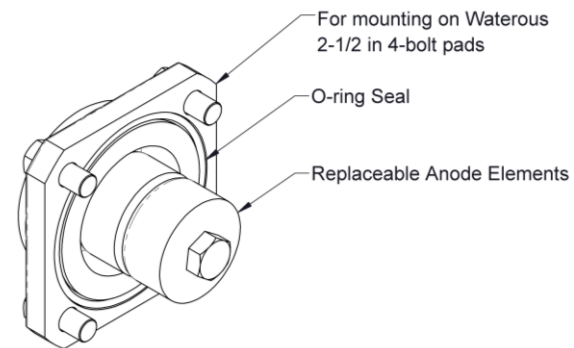
Intake Screen

IL4417-1

### Anodes

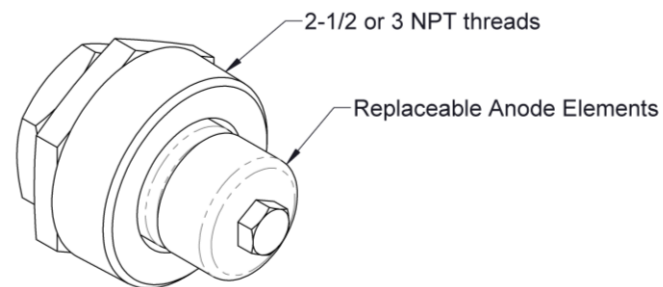
Anodes may be mounted in the intake piping or, if no intake pads are available, in the discharge piping.

**NOTE: The replaceable elements must make contact with water to be effective. Do not paint or use any other coating on the replaceable elements.**



4-Bolt Anode

IL4417-2



Threaded Anode

IL4417-3

## Final Checks

### Lubrication

Transmissions are shipped without lubricant and must be filled before the pump is operated.

<b>NOTICE</b>
Failure to properly lubricate the pump transmission may result in serious damage to the equipment.

The types of recommended lubricants are listed below:

Transmission Model	Capacity (Quarts or Liters) <i>(See Note 1)</i>	Lubricant <i>(See Note 2)</i>
PA	1	ATF (All Climates), or for Ambient Temperatures over 90°F/32°C: SAE 20 Oil 300 SSU @ 100°F with service classification SA, SB, SC should be used
K	1	SAE 80W-90 Gear Oil
T	1	

**Notes:**

- 1) Capacities shown are approximate Quarts or Liters, always fill to the bottom of the plug labeled "Oil Level" or sight glass. Quantities listed vary based on ratio and/or mounting orientation.
- 2) Synthetic ATF and oil substitutes are acceptable.

### Testing

Perform the tests listed in F-1031, Section 1000, "Centrifugal Fire Pump Principles of Operation, Inspection Tests and Troubleshooting Guide." During the running tests, monitor the smoothness of operation, listen for unusual noises and check for leaks.