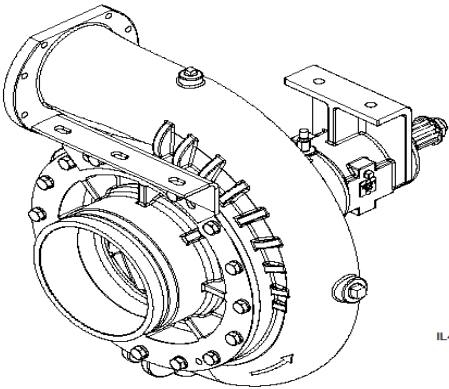


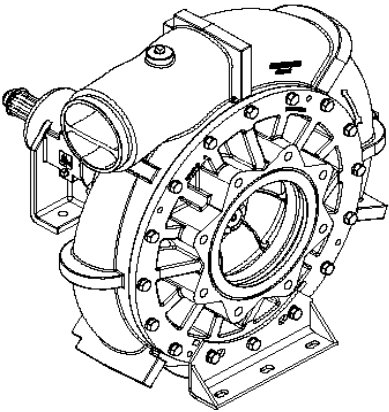
Table of Contents

- General Overhaul Information..... 2
- Disassembly:
 - Remove Intake End of Pump..... 3
 - Remove Pump from Bearing Housing
or Transmission..... 4
- Inspection and Repair..... 5, 6
- Reassembly:
 - Install Mechanical Seal.....7, 8
 - Install Impeller and Intake Adapter..... 9
- Lubrication..... 10
- Testing..... 10



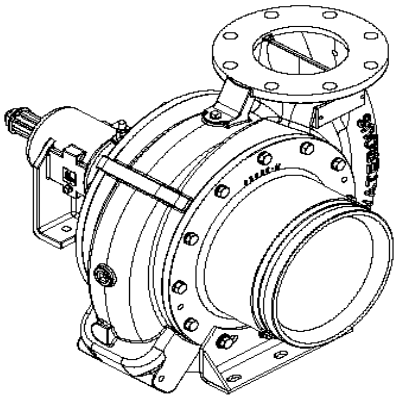
IL4879

CR Pump



IL4880

CRU-1 Pump



IL4881

CRU-2 Pump

General Overhaul Information

Tools and Equipment

The following tools and equipment are needed to overhaul a pump:

1. Usual automotive mechanic's hand tools.
2. An arbor press for assembling or disassembling components.
3. An engine lathe for turning impeller hubs.
4. A suitable hoist and slings.
5. Torque capability up to 325 lb-ft.

While no special tools and equipment are required, a few special items are illustrated or described so the mechanic can make them or they are available from the apparatus manufacturer or the Waterous Company. These special items are not absolutely necessary, but they will make the mechanic's work much easier.

Preliminary Testing

Before disassembling a pump, test it thoroughly, if possible, and record the results. A comparison of this test with periodic tests recommended in form F-1031, Section 1000 can often reveal specific pump troubles. Excessive speed, for instance, indicates that impellers and/or wear rings are probably worn.

Cleaning

The continued satisfactory operation of a pump depends to a great extent upon the cleanliness of its internal parts. Sand, dirt or other abrasive material will wear bearings, gears and related parts. Before disassembling a pump for repairs, be sure to clean its exterior. Make sure the working space, benches and tools are clean. Use only clean, lint-free cloths to wipe off components. Before reassembling a pump or its components, be sure to clean them thoroughly.

Pump Bodies and Impellers

Flush out these components and related parts with clean water. Use a stiff brush to remove loose scale, caked sediment, etc. Examine pump bodies, covers, adapters and fittings for cracks, severe corrosion or other damage. Almost all damage to these parts results from improper use or maintenance, or from freezing. Replace defective parts.

Bearings, Gaskets, Seals and O-rings

Parts of this nature are frequently damaged during removal or disassembly. In addition, they sometimes deteriorate or lose their effectiveness because of age or misuse. Replacing these parts whenever overhauling a pump is a good policy.

Impeller Shafts

Examine shaft for severe scratches, grooves or corrosion - especially under packing or mechanical seals. If scratches are not severe, and are not under packing and seals, clean them with a fine-cut file. Grooves are usually permissible if they are not sharp or too deep. Even slight longitudinal scratches will cause leaks and should be removed.

Installing Ball Bearings

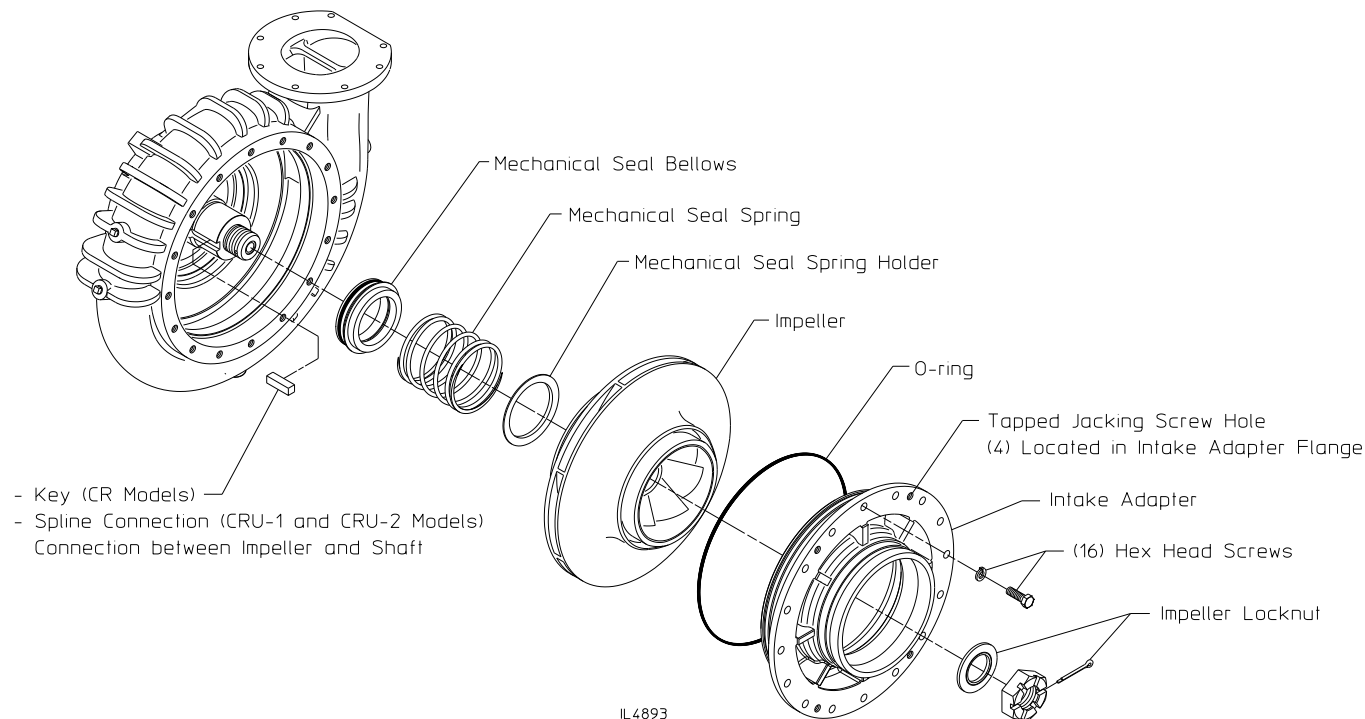
Most Waterous pumps are designed so that ball bearings fit tightly on their shafts and have relatively loose fits in the bearing housings. When mounting these bearings on shafts, always apply force to the inner races. When bearings have a tight fit in the housings, and a heavy force is necessary to install them, be sure to apply force only to the outer bearing races. For either type of fit, applying force to the wrong bearing race may damage the balls and race.

Disassembly - Remove Intake End of Pump

Intake Adapter, Impeller & Mechanical Seal Removal

NOTE: The wear ring in the intake adapter cannot be removed without being destroyed. Inspect the wear rings and impeller per instructions on Page 5 to determine if replacement is required.

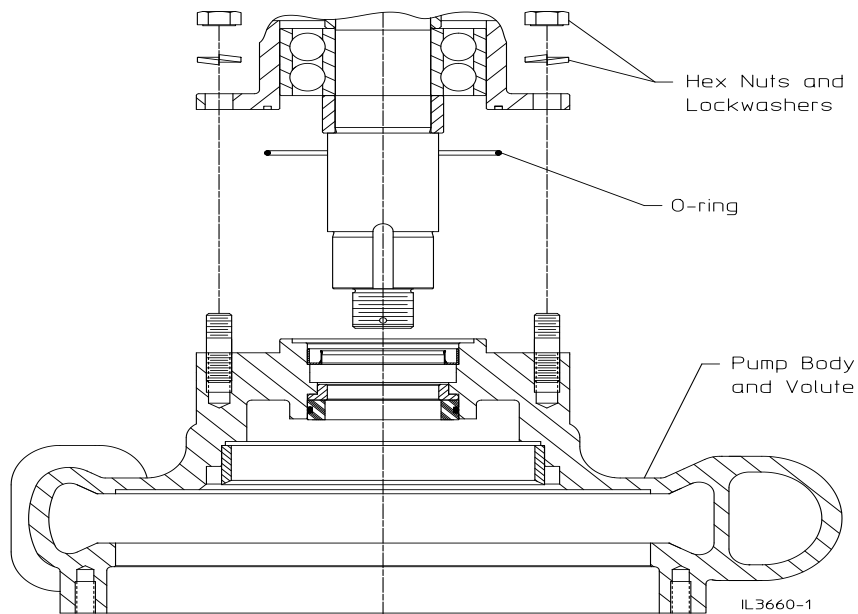
- Make a witness mark on the intake adapter and volute body to indicate their relationship to each other which will be referenced during reassembly.
 - Remove the sixteen (16) hex head screws attaching the intake adapter to the volute body. The screws may be threaded into the four (4) jacking screw holes in the adapter flange and tightened in a circular sequence to separate the intake adapter from the pump volute body.
 - Pull the intake adapter off of the pump body volute. Remove and discard the O-ring.
 - Remove the cotter pin, impeller locknut and washer from the end of the impeller shaft.
1. Remove the impeller. Tapping the impeller lightly with a soft hammer will help to break it loose from the shaft. If necessary, the seven (7) 3/8-16 UNC tapped holes through the impeller vanes may be used to attach a puller. If the seal spring retainer remains attached to the back of the impeller, remove and discard.
 2. Remove the impeller key from the shaft.
 3. Remove the mechanical seal spring.
 4. Remove the mechanical seal bellows. First apply a light coating of oil to the mechanical seal journal then grasp the seal bellows by hand and try to remove with a combined pulling and twisting motion. If this method fails, proceed with the steps on the next page to remove the pump from the transmission. The seal bellows will be forced off the shaft during this step.



Disassembly - Remove Pump from Transmission or Bearing Housing

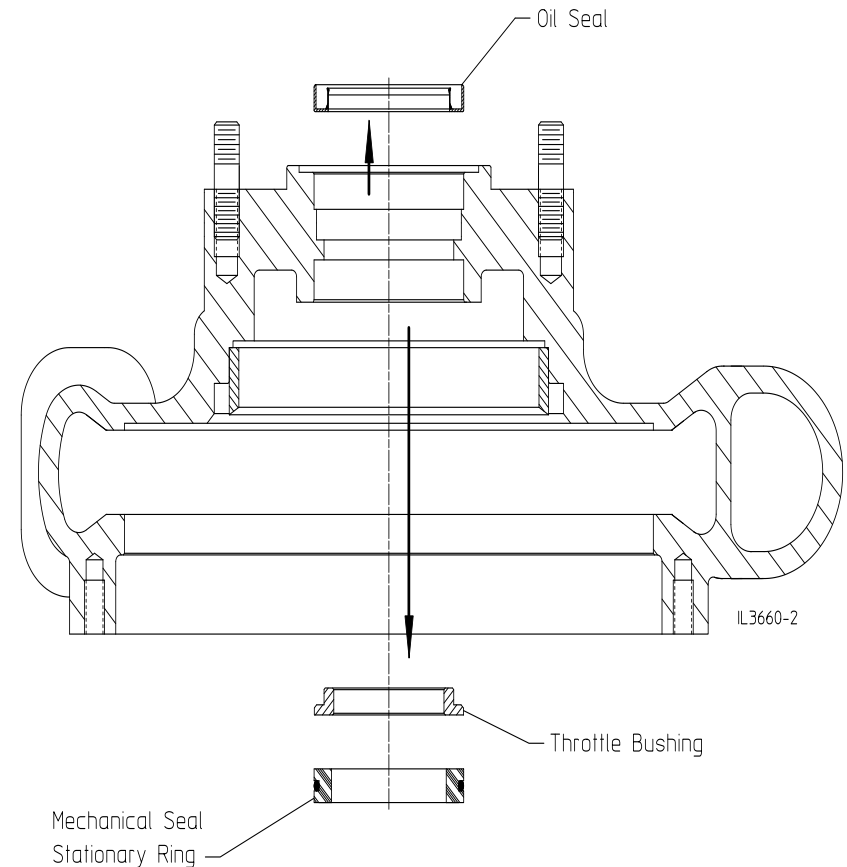
Removal of End Yoke

1. Stand the pump in a vertical position with the intake adapter flange of the pump body volute facing down.
2. Note the orientation of the pump discharge flange relative to the transmission as the pump must be reassembled with the same relation.
3. Remove the eight (8) hex nuts and lock washers attaching the pump volute to the transmission.
4. With a hoist, lift the pump volute body off of the transmission. If the body does not break free, tap the body with a soft hammer while lifting until separation is achieved.
5. Once the pump volute body is free of the transmission, remove the O-ring from the groove in the transmission pump mounting flange.



Removal of Oil Seal, Throttle Bushing, Mechanical Seal Stationary Ring

1. Remove the oil seal from the bore in the volute body.
2. From the transmission side of the body, drive the throttle bushing out of the body bore. This will also remove the mechanical seal stationary ring.
3. Inspect the throttle bushing per instructions on Page 16 to determine if replacement is required.



Inspection and Repair

Impeller and Wear Rings

Check wear rings and impeller hubs for deep grooves or scratches. Spiral grooves or grooves parallel to the impeller shaft increase leakage. Inspect for excessive wear ring clearance. Diametric clearances in excess of .027 inches may warrant wear ring replacement. Original factory clearance is .019 to .023 diametrically. The diametric clearance should be determined by averaging the results of four measurements taken at 90 degree increments as follows:

Clean and remove small burrs or other protrusions from the wear ring inner diameters and the impeller hub O.D. and I.D. Position each wear ring

on the impeller hub on which it was used. Hold the wear ring firmly against one side of the hub and measure total clearance on the opposite side, using a feeler gauge. Do not bottom the wear ring against the bottom of the groove in the impeller.

Ball Bearings

When cleaning bearings, bearing manufacturers recommend placing them in a basket and suspending the basket in a container of solvent, preferably overnight. Avoid rotating the bearings before solid particles are removed, to prevent damaging races and balls.

After cleaning, spin them immediately in light oil and check each one as described below:

5. Examine bearing for rusted or pitted balls, races or cages.

6. Check cage and races for cracks or other damage. Examine balls and races for brinelling, abrasion and serious discoloration. If in doubt about condition of bearing, replace it.
7. Rotate bearing slowly, and check for roughness or excessive internal looseness. If a rough spot is found, it may be dirt caked on a race. Try cleaning it again. If endplay is doubtful, compare it with a new bearing. If the bearings are not to be installed right away, wrap them in clean, oil proof paper.

Inspection and Repair (Cont'd)

Impeller Shaft

Examine shaft for signs of severe scratches, grooves or corrosion, especially under the oil seal or mechanical seals. If scratches are not severe, and are not under seals, they can be ignored. Check for cracks, pitting, twisted splines or damaged keyway.

Scratches in the area of the bellows of the mechanical seal can possibly be removed by spinning the shaft in a lathe and polishing with a fine emery cloth.

Installing Oil Seals

Before installing an oil seal in a housing, be sure that the seal, shaft and housing are clean.

Apply force to the outer edge of the seal and press in evenly.

Oil Seal Sleeve

Check for wear and scratches where the seal contacts the sleeve. The journal may be polished with a fine emery cloth, however; any polishing that leaves a spiral pattern may lead to an oil leak. If a groove has been worn in the sleeve, it can be reused by turning it end for end. If question-

able, replace the sleeve or fit with a thin replacement sleeve. This replacement sleeve allows use of the same size oil seal. This type of repair sleeve is available through most sources of oil seals.

Volute Body and Intake Adapter

Examine for cracks, severe corrosion or other damage. Almost all damage to these parts results from improper use or maintenance, or from freezing. Replace defective parts.

Clean out drainage hole in volute body, located between the seat for the throttle bushing and oil seal.

Throttle Bushing

Note: The bushing serves as a restriction to fluid leakage if the mechanical seal fails.

Examine the bore in the bushing for wear due to contact with the shaft. The size of the bore is 2.760/2.762.

Reassembly

Install Mechanical Seal

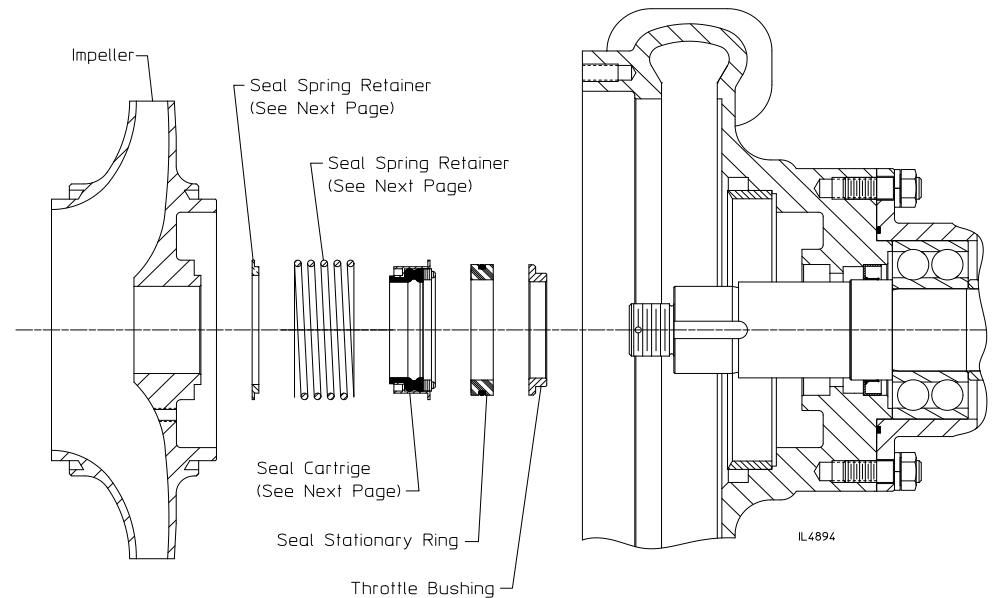
NOTICE

The mechanical seal primary and stationary rings are made of brittle material. The material can be cracked or chipped. Extra care must be taken when handling these rings.

Note: If Waterous Mechanical Seal Lubricant part no. 52608 is not available, P80 rubber lubricant, straight dish soap or glycerin may be substituted.

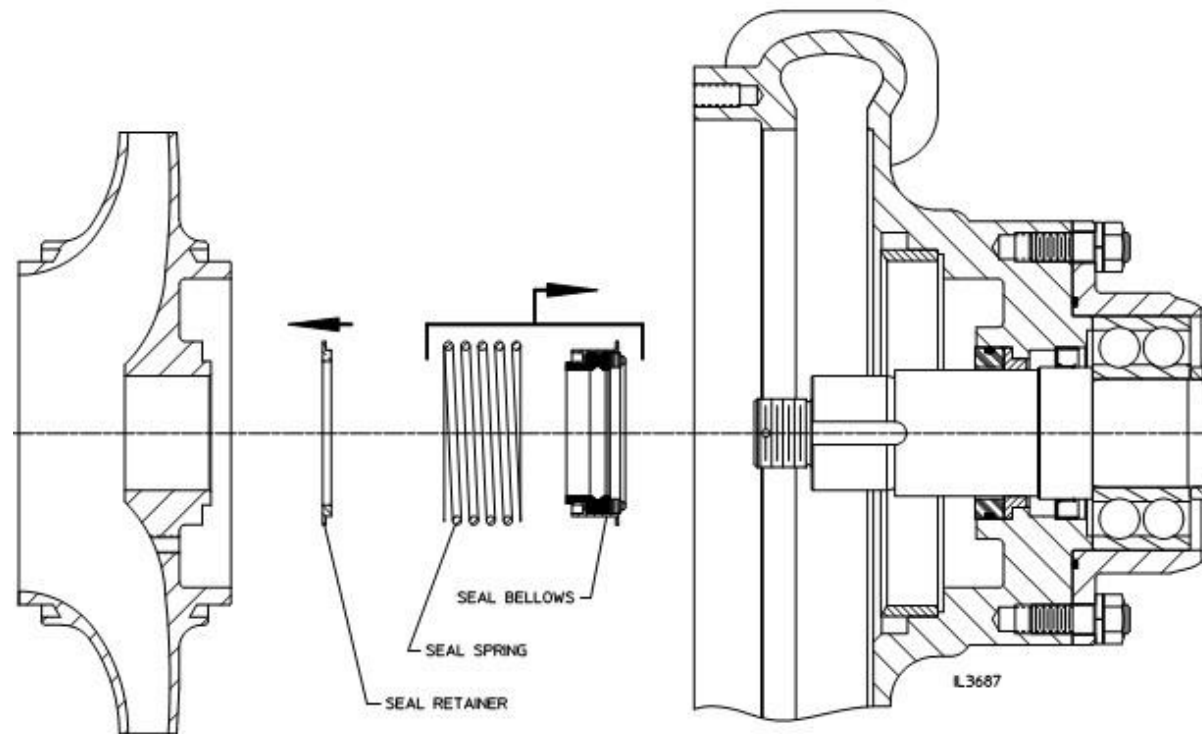
1. Temporarily install the impeller key and impeller on the shaft. Rotate the impeller. There should be no contact between the impeller and wear ring in the pump body. If there is contact, correct before proceeding. Check for the following causes of the contact:
 - a). Raised burr or nick on either the impeller hub or wear ring.
 - b). Wear ring was cocked when installed in volute body and is deformed sufficiently to contact the impeller.
 - c). Impeller shaft not assembled or installed correctly. Check that correct spacers and other components were used.
2. Remove the impeller and key.
3. Slide the throttle bushing over the shaft and down into the bore in the volute body. Tap into position until it is seated in the volute body bore.

4. Install the seal stationary ring:
 - a). Apply a light coating of seal lubricant to the O-ring in the stationary seal ring.
 - b). Identify the lapped surface of the seal stationary ring. The unlapped face of the stationary ring has a mark. The lapped surface has no mark.
 - c). Slide the stationary ring over the end of the shaft with the lapped face facing out. Push the stationary ring along the shaft and into the bore in the volute body. If it cannot be seated by hand, lightly tap into place with piece of wood being careful not to scratch or mar the lapped face.
 - d). Wipe the lapped face of the stationary ring with a clean, lint-free cloth or tissue paper to remove any seal lubricant.



Install Mechanical Seal (*Continued*)

5. Install the seal bellows:
 - a). Apply a piece of tape over the shaft keyway which will protect the seal bellows during installation. Ensure all the tape can be removed once the bellows is installed.
 - b). Apply a few drops of seal lubricant on the inside of the seal bellows. Wipe the carbon ring on the end of the bellows with a lint-free cloth or tissue paper to remove any seal lubricant.
 - c). Slide the bellows onto the shaft with the carbon ring end facing inward taking care when passing over the shaft keyway. Slide the seal bellows inward until the carbon ring contacts the seal stationary ring.
6. Install the seal spring over the seal bellows.
7. Install the seal spring retainer on the back side of the impeller.
8. Install the impeller and intake adapter (see next page for instructions).



Install Impeller and Intake Adapter

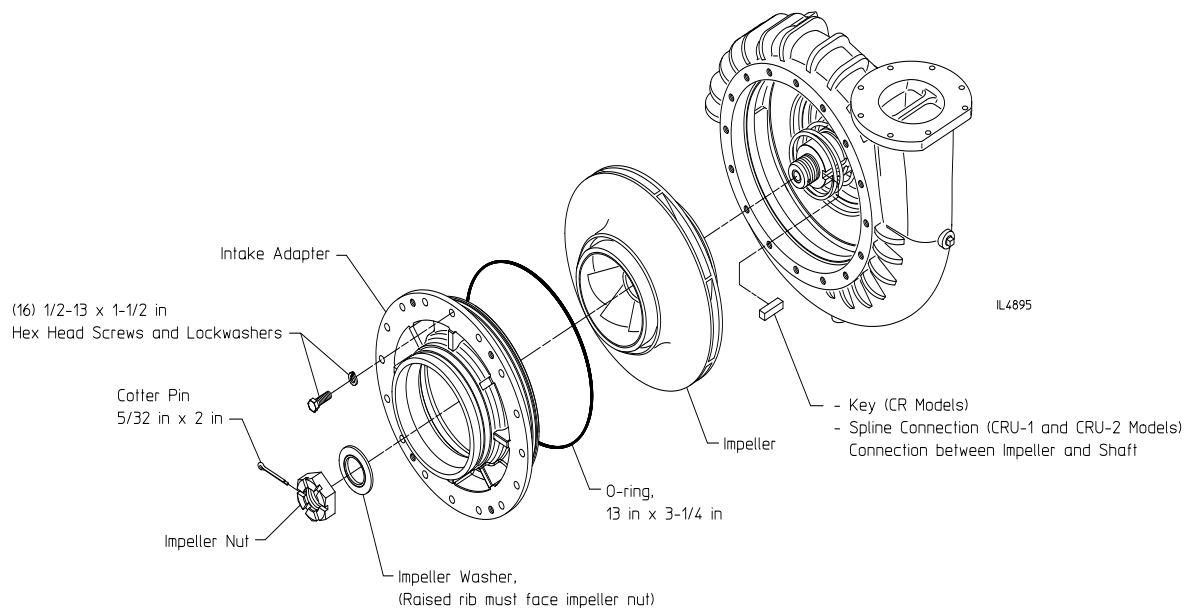
1. Install the impeller key and impeller on the shaft. Install the impeller washer and nut. Note that the raised rib on the washer must face the impeller nut. Tighten the nut finger tight.
2. Rotate the impeller to assure the seal spring is seated in the spring holder on the back of the impeller. If the seal spring is not properly seated, rotating the impeller will cause it to snap into the spring holder.
3. Finish tightening the impeller nut. Tighten until a slot in the nut is lined-up with the hole in the shaft. Install and secure the cotter pin.
4. Grease and install the O-ring in the groove on the intake adapter.
5. Position the intake adapter in its original location on the volute body by aligning the witness marks made during disassembly. Ensure the intake adapter holes and volute body tapped holes are aligned.
6. Tap the intake adapter into position in the volute body bore.
7. Install the sixteen (16) screws and lockwashers. Tighten the screws until the flange of the intake adapter contacts the volute body.
8. Rotate the impeller shaft. There should be no contact between the impeller and wear ring in the intake adapter.

If there is no contact, tighten the screws evenly from side to side. Torque to 75 lb-ft.

If there is contact, correct before proceeding: Check for the following causes of the contact:

 - a). Raised burr or nick on either the impeller hub or wear ring.
 - b). Wear ring was cocked when installed in intake adapter and is deformed sufficiently to contact the impeller.
 - c). If a new undersize wear ring was installed, the impeller hub was not re-worked to the correct size.

Once the contact issue is resolved, tighten the screws evenly from side to side. Torque to 75 lb-ft.



Testing

Before the pump is returned to service, it is advisable to give it vacuum, hydrostatic and operational tests to check it for leaks and to make sure the pump operates properly.

Vacuum Test

1. Remove all caps except openings without valves. Close discharge, intake and drain valves and other similar openings. Operated priming device to create a vacuum of about 22 in. Hg/.735 atmosphere in pump, then stop primer and engine.
2. Watch the pressure gauge; if vacuum drops more than 10 in. Hg/.334 atmospheres in five (5) minutes, listen for air leaks around the packing gland, gaskets, valves, etc.
3. Replace gaskets, re-adjust packing, repack or otherwise repair source of trouble.
4. Repeat test.

Hydrostatic Testing

1. Connect pump to a hydrant or other pressurized water supply.
2. Close all drain lines and open discharge and priming valves.
3. Open hydrant until water runs out through discharge valves and discharge pipe in priming pump. Close all valves. Be sure to evacuate all air from pump.
4. Apply water pressure to pump for 15 minutes. Do not exceed 350 psi (24.2 bar). With a portable light, check pump for leaks. If leaks are discovered, tighten connections or attaching parts as necessary.

NOTE: If a mechanical seal is used, it may leak under hydrostatic pressure. However, it should stop leaking after the seal faces are run-in during operational testing.

5. After all leaks are eliminated, shut hydrant valve, drain pump completely and disconnect intake hose.

Operational Testing

1. Operate pump at it's maximum intended service pressure. Do not exceed 350 psi (24.2 bar) (450 psi, 31 bar with positive intake).
2. With a portable light, check pump for leaks. If leaks are discovered, stop pump and tighten connections or attaching parts as necessary. Repeat until all leaks are eliminated.
3. While pump is running, check for unusual noises, oil leaks, overheated bearings, etc. If anything unusual is discovered, stop pump immediately and determine the cause.

Lubrication

Fill pump bearing housing or transmission with lubricant specified on pump or transmission Operation and Maintenance instructions.