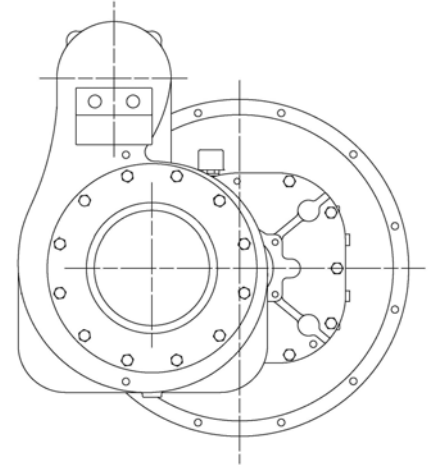




SPECIFICATIONS – ARFF: MODEL RFT-600 PUMP
Designed for Aircraft Service Vehicles
(Refueling/Water Handling)

The RFT-600 is designed for aircraft service vehicles to handle refueling, de-fueling, and water handling. Compact and lightweight the RFT-600 is mounted directly to the engine bellhousing and produces a nominal 600 GPM (2250 L/min) rating with generous surplus capacity.



Design Features:

Waterous RFT-600 is constructed of hard anodized aluminum, is self-priming and uses Victaulic piping connections for ease of piping and service.

you in determining which combination pump, truck chassis and engine will produce maximum performance to suit your needs.

Waterous pumps are built to fit individual requirements. A qualified apparatus application engineer can assist

Every pump is tested under full power before shipment to assure it meets established performance criteria.

Pump Specifications:

Pump Body:

Single piece aluminum, hard anodized

Impeller Shaft and Hardware:

Stainless Steel

Intake and Discharge Fittings:

Victaulic connections, aluminum, hard anodized

Shaft Seal:

Face-type mechanical seal

Impeller:

End suction, Flame-plated (tungsten carbide), double hubs, hard anodized aluminum

Wear Rings:

Reverse-flow, stainless steel

Transmission Specifications:

Case:

High-tensile strength gray iron

Mounting:

Directly to engine bellhousing

Gears:

Helical, precision cut, crown shaved for proper load distribution and quiet operation.

Industry-Leading Sales and Support

When you purchase Waterous equipment, not only do you get quality products, you get quality service. Our expert service technicians are the best in the business and they are always happy to answer any service questions you might have.

Sales/Applications Assistance
 Phone: 651-450-5234 (Press 3)
 pumpsales@waterousco.com

Service Assistance
 Phone: 651-450-5200
 Fax: 800-488-1228
 service@waterousco.com

SPECIFICATIONS - ARFF: MODEL RFT-600

