



**SALES BULLETIN  
No. 0110**

**AQUIS™ FOAM PROPORTIONING  
SYSTEM**

Waterous introduces the updated AQUIS™ Foam Proportioning System. The AQUIS systems will replace all ADVANTUS® Systems on all orders received as of July 10, 2017 (see **Technical Bulletin No. 123**).

Three models are available: AQUIS 1.5, AQUIS 3.0 and AQUIS 6.0 (see **Figures 1 through 4**). All models feature flow based proportioning and have been engineered with design features to improve operation, maintenance and flow. Each model features a positive displacement pump and powered by either a 12 or 24-volt DC motor. These models will be available with existing AQUIS Flowmeter Tees as standard (see **Figure 5**). If the flowmeter tee is used, existing optional master waterway check valves will still be available (see **Figure 5**). A new option will be a manifold engineered for better flows in a compact design. The manifold includes a waterway check valve and flowmeter in one component (see **Figure 6**).

*Figure 1. AQUIS Models*

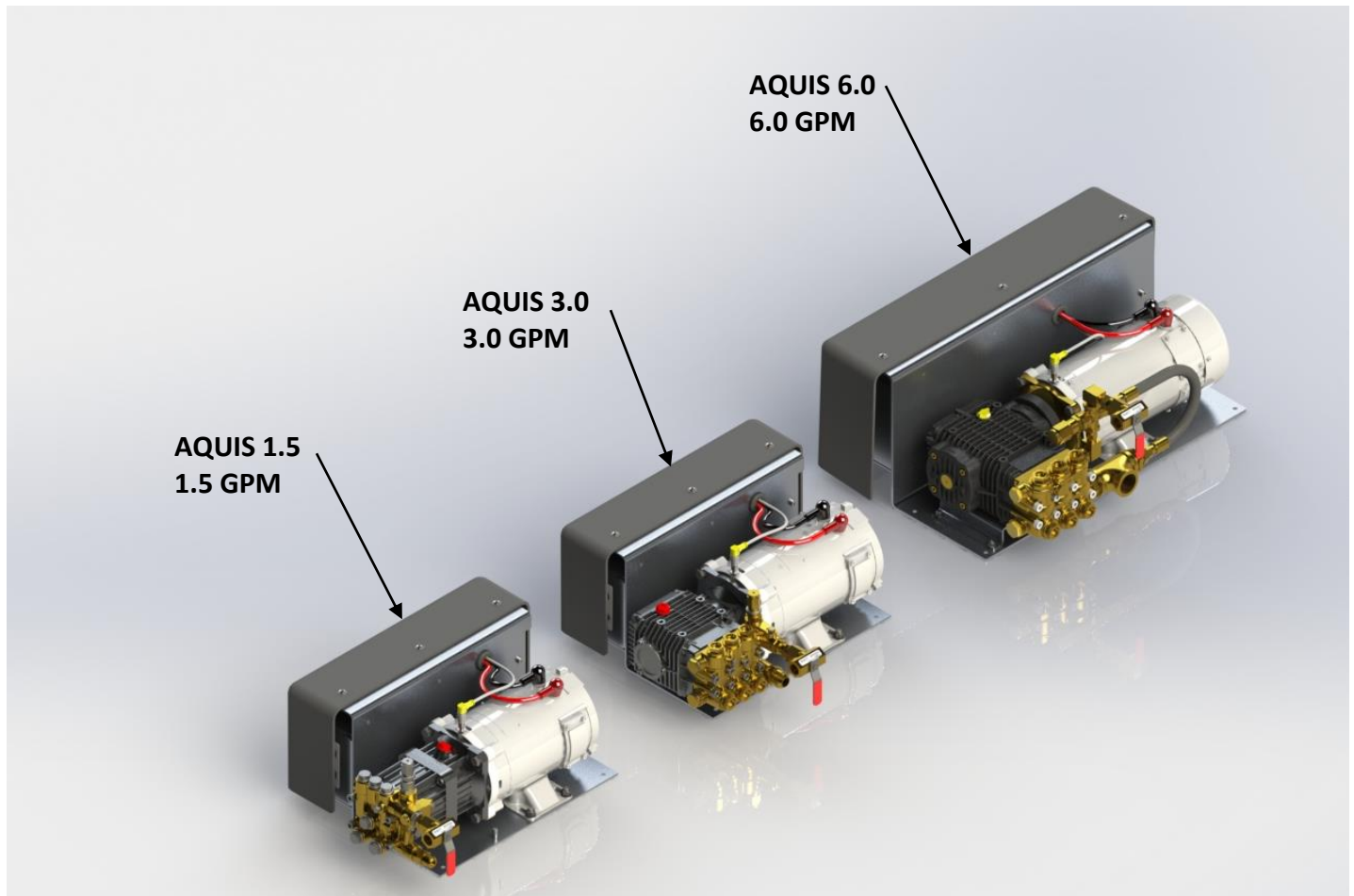
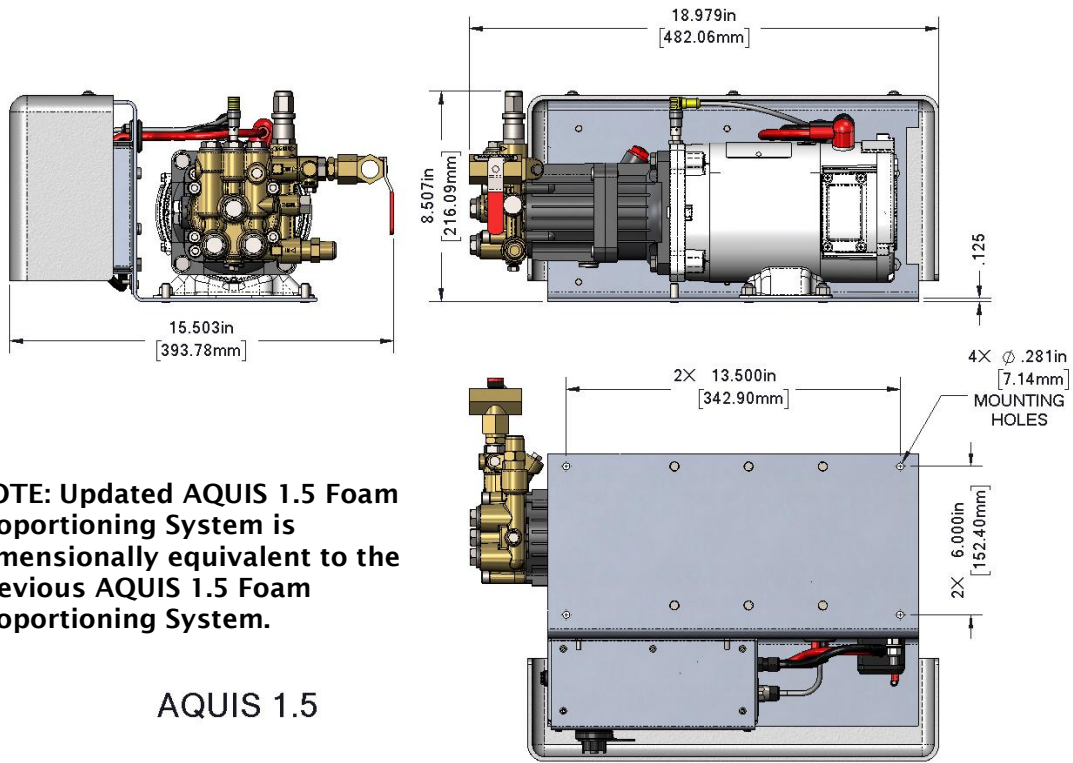


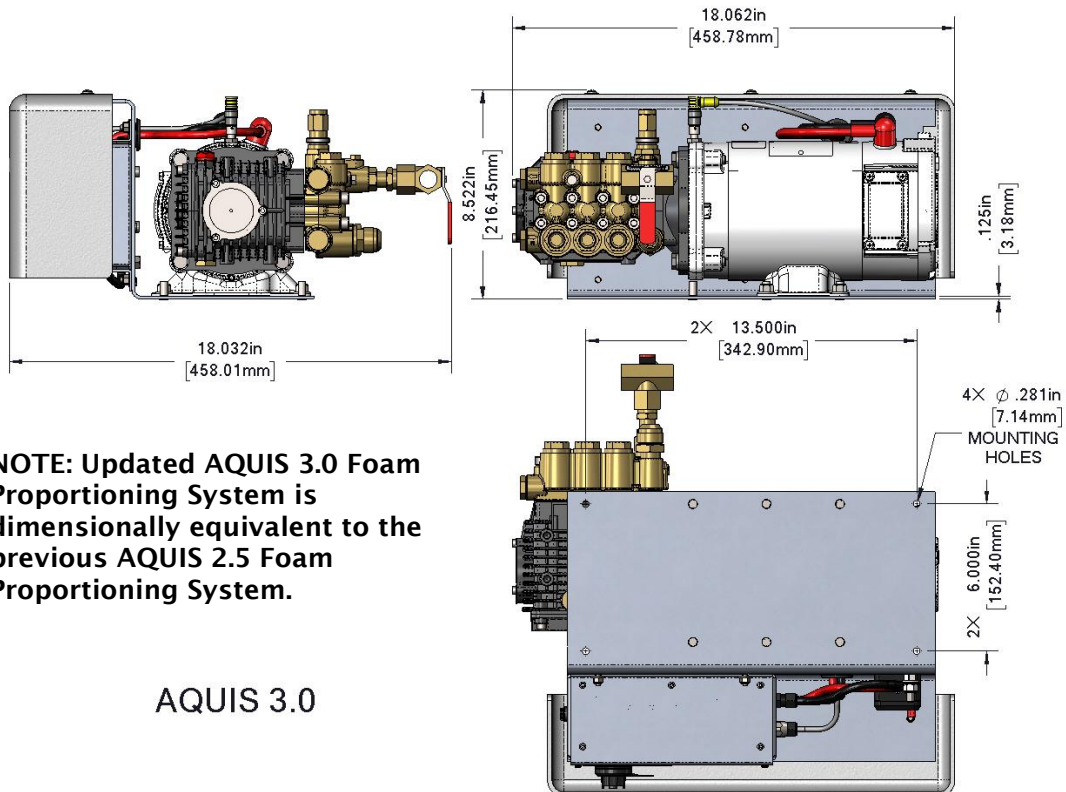
Figure 2. AQUIS 1.5 Dimensions



**NOTE: Updated AQUIS 1.5 Foam Proportioning System is dimensionally equivalent to the previous AQUIS 1.5 Foam Proportioning System.**

AQUIS 1.5

Figure 3. AQUIS 3.0 Dimensions



**NOTE: Updated AQUIS 3.0 Foam Proportioning System is dimensionally equivalent to the previous AQUIS 2.5 Foam Proportioning System.**

AQUIS 3.0

Figure 4. AQUIS 6.0 Dimensions

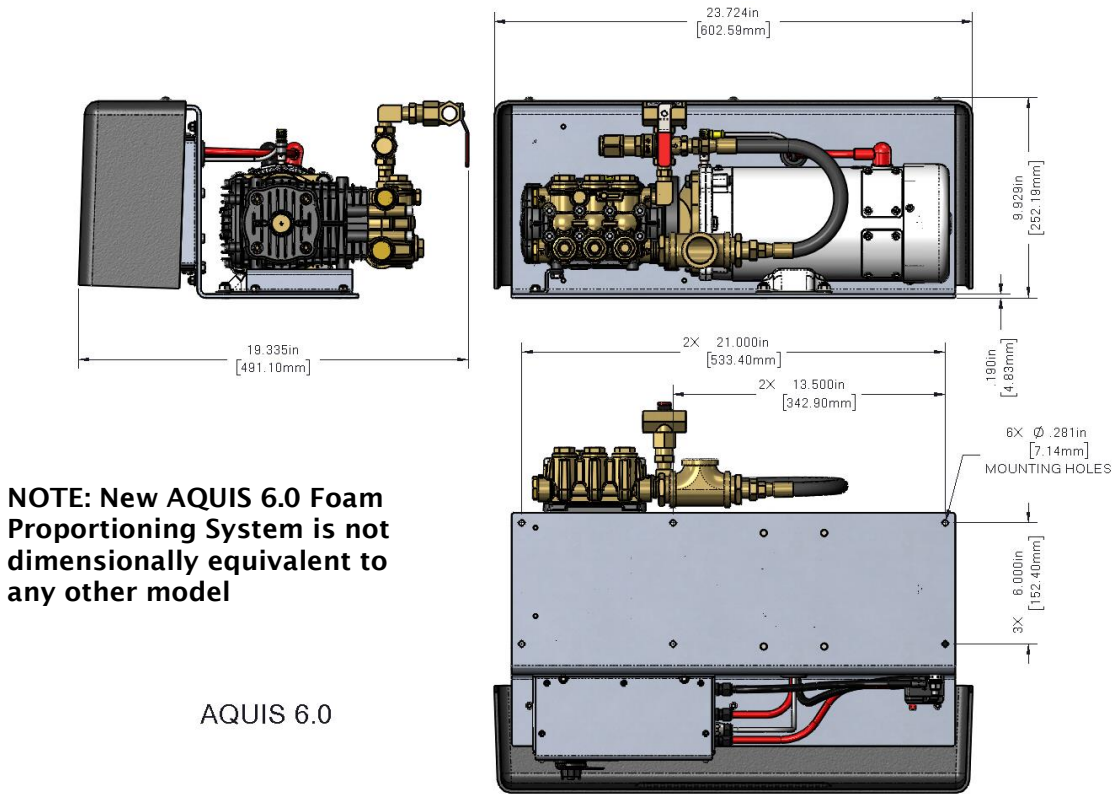


Figure 5. Flowmeter Tees / Waterway Check Valves

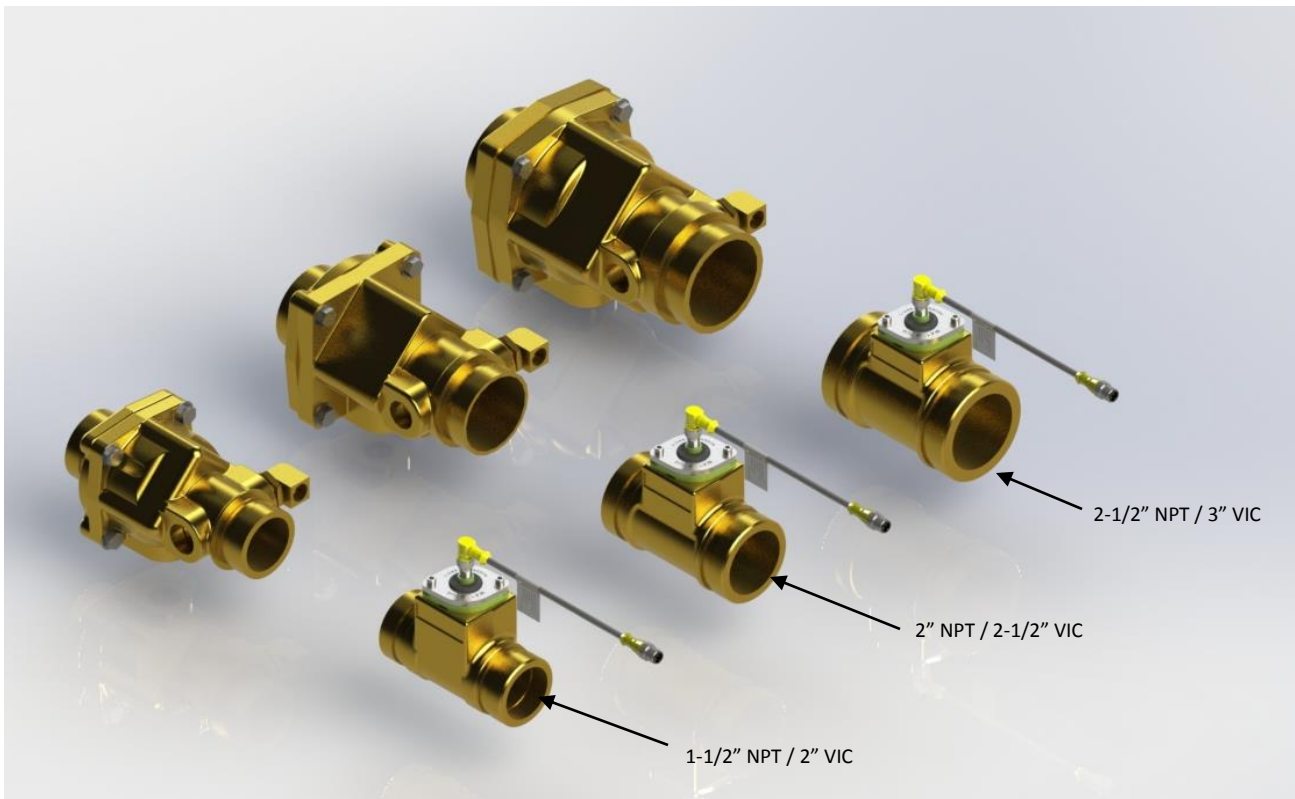
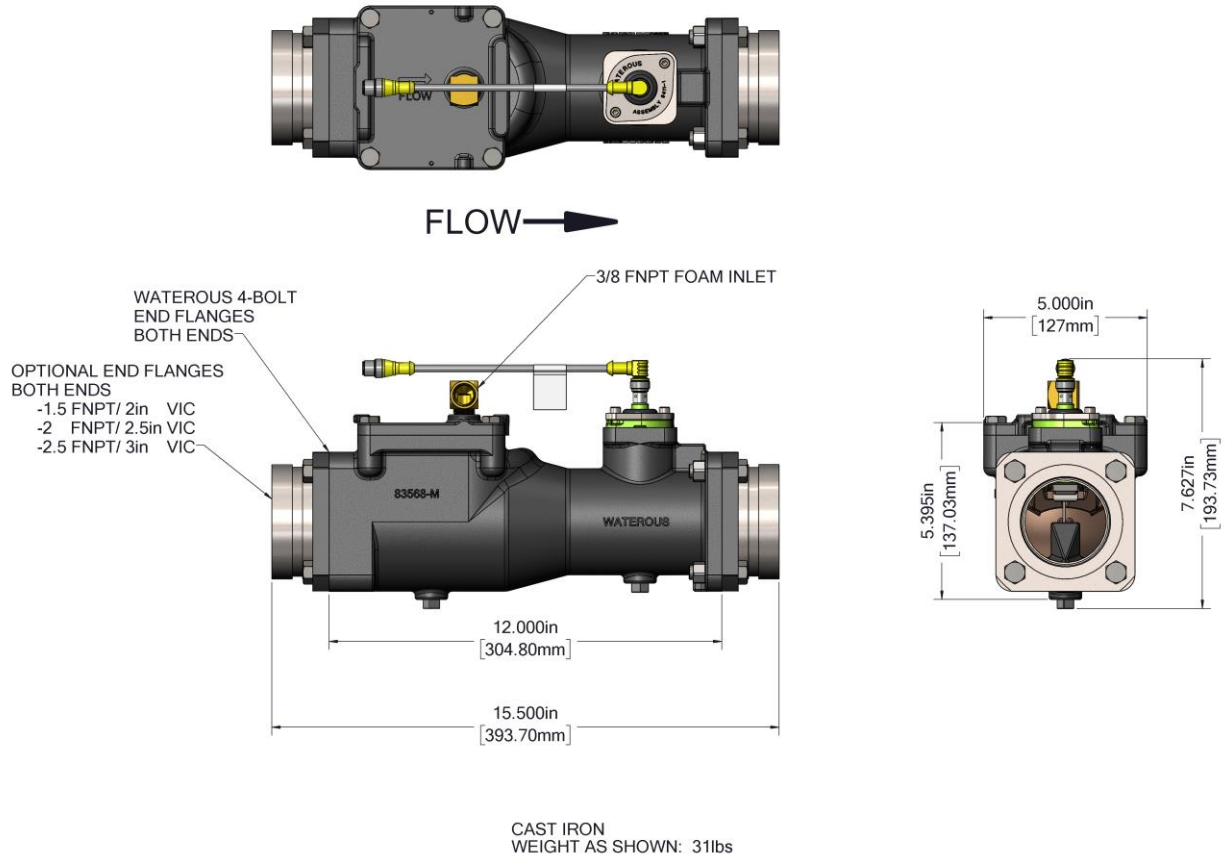


Figure 6. Optional Foam Manifold Dimensions



**NOTE:** The information in this Sales Bulletin was current at the time of printing. Waterous reserves the right to change this information.