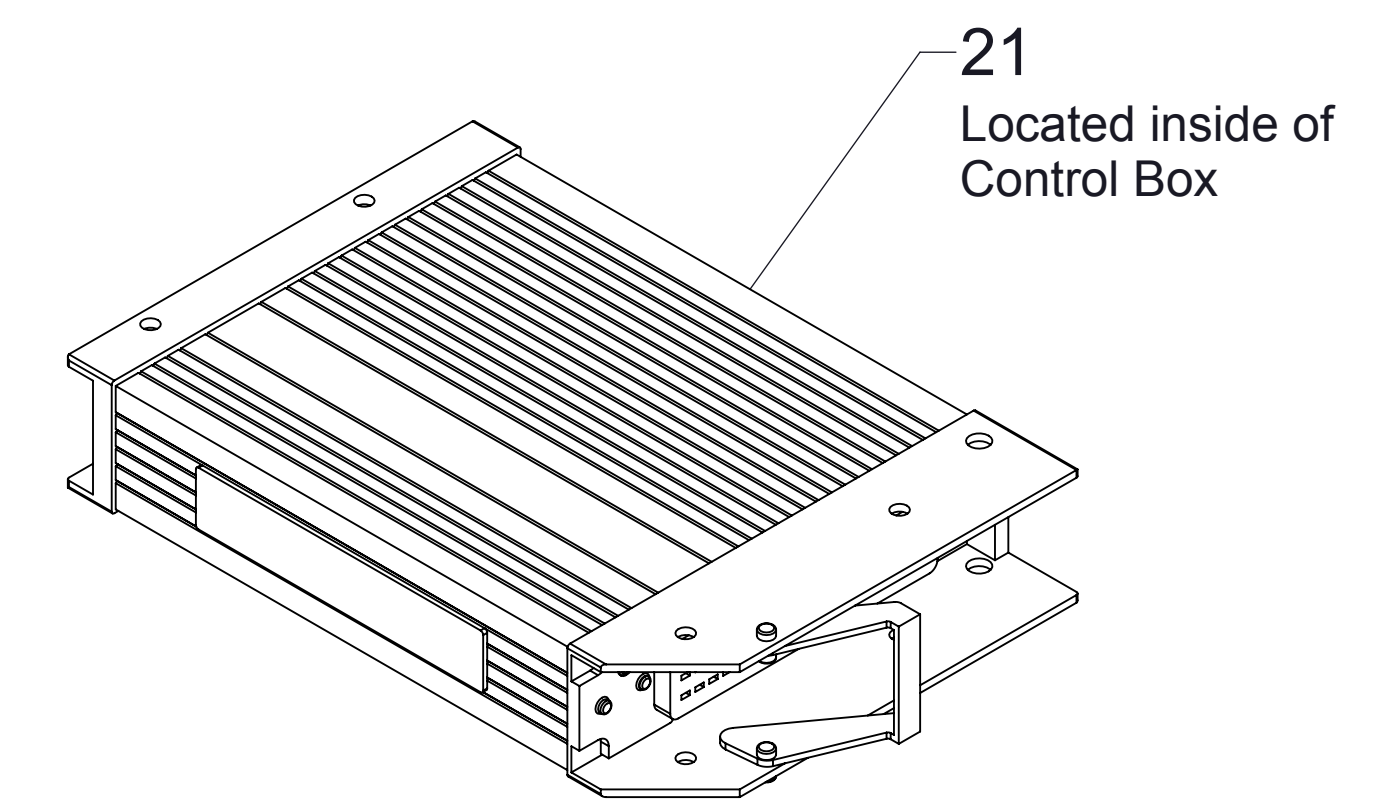
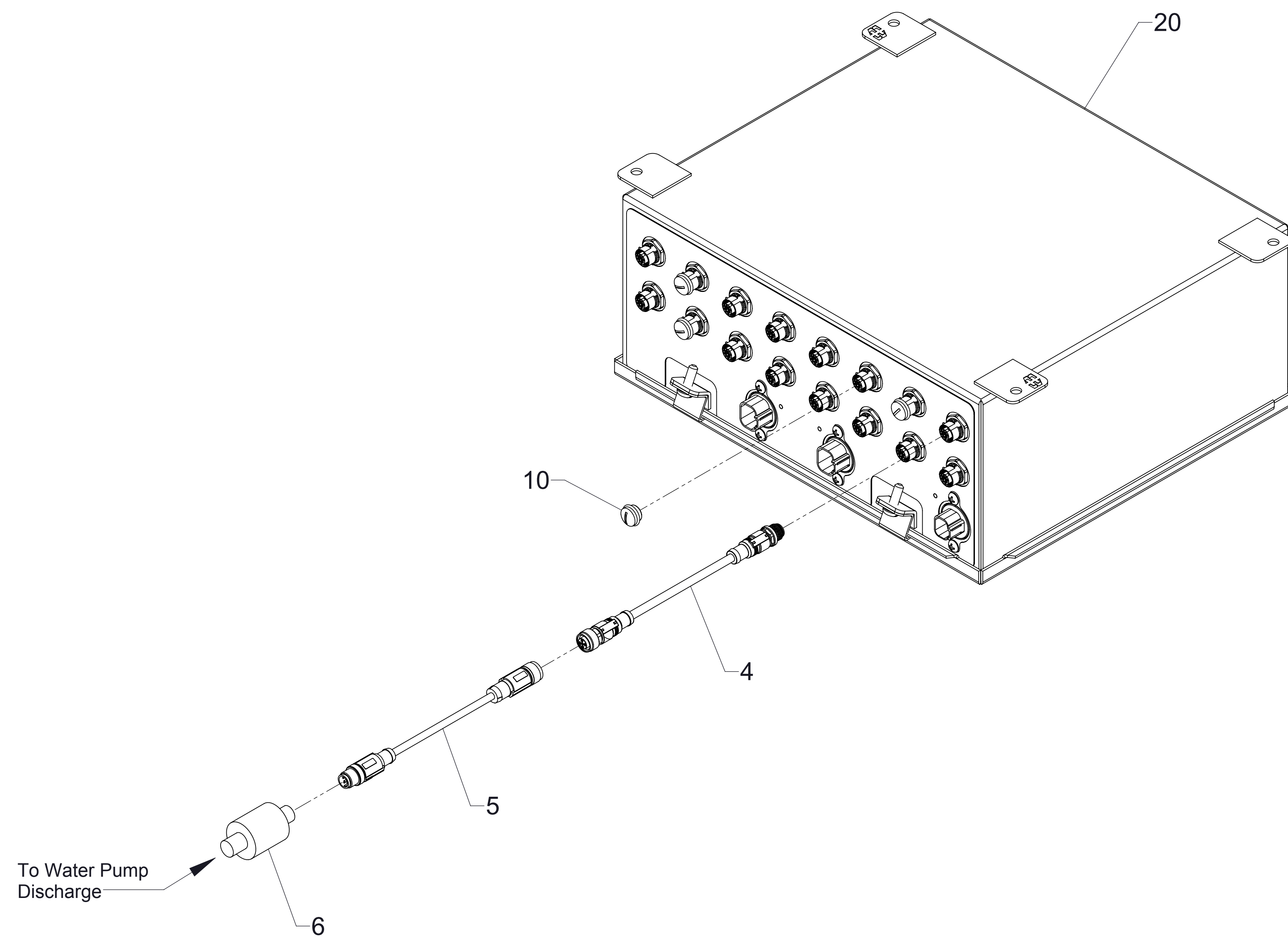


### Aquis ULTRAFLOW Foam System Service Parts List

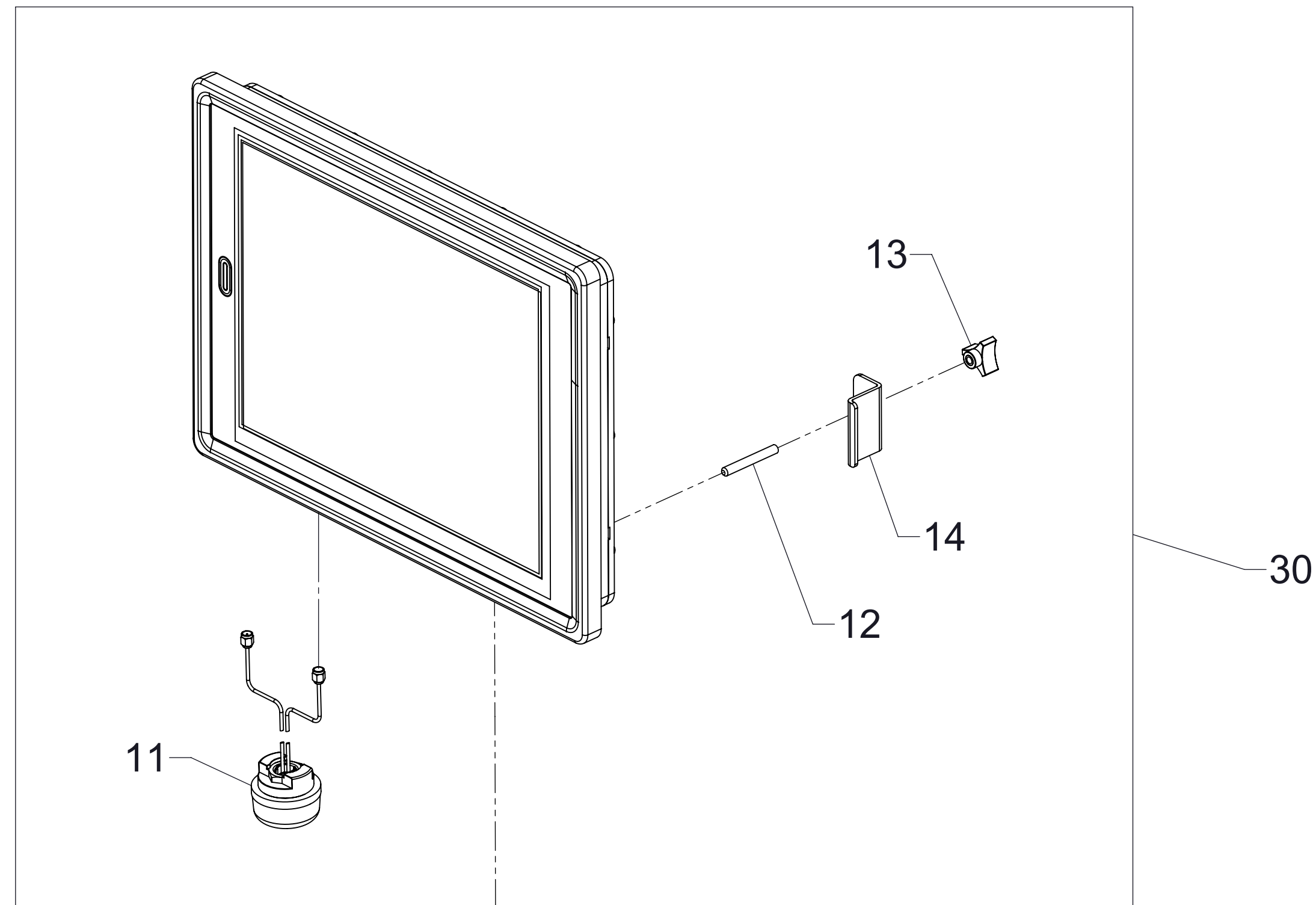
| Component               |                               | See Page |
|-------------------------|-------------------------------|----------|
| Control Box             |                               | 2        |
| Tellurus Control Panel  |                               | 3        |
| Valves                  | 1 in Discharge Line Assembly  | 4        |
|                         | 2 in Discharge Line Assembly  | 5        |
|                         | Priming Valve Assembly        | 6        |
|                         | Low Flow By-Pass Assembly     | 7        |
|                         | Supply Tank Fill Assembly     | 8        |
|                         | Concentrate Transfer Assembly |          |
| Foam Concentrate System |                               | 9        |
| Hydraulic System        |                               | 10, 11   |
| Manual Override         |                               | 12       |
| Additional I/O Node     |                               |          |

Note: Foam Concentrate Plumbing, Water Plumbing,  
Hydraulic Hoses, Fittings and Electrical Connections  
furnished by Truck Builder.

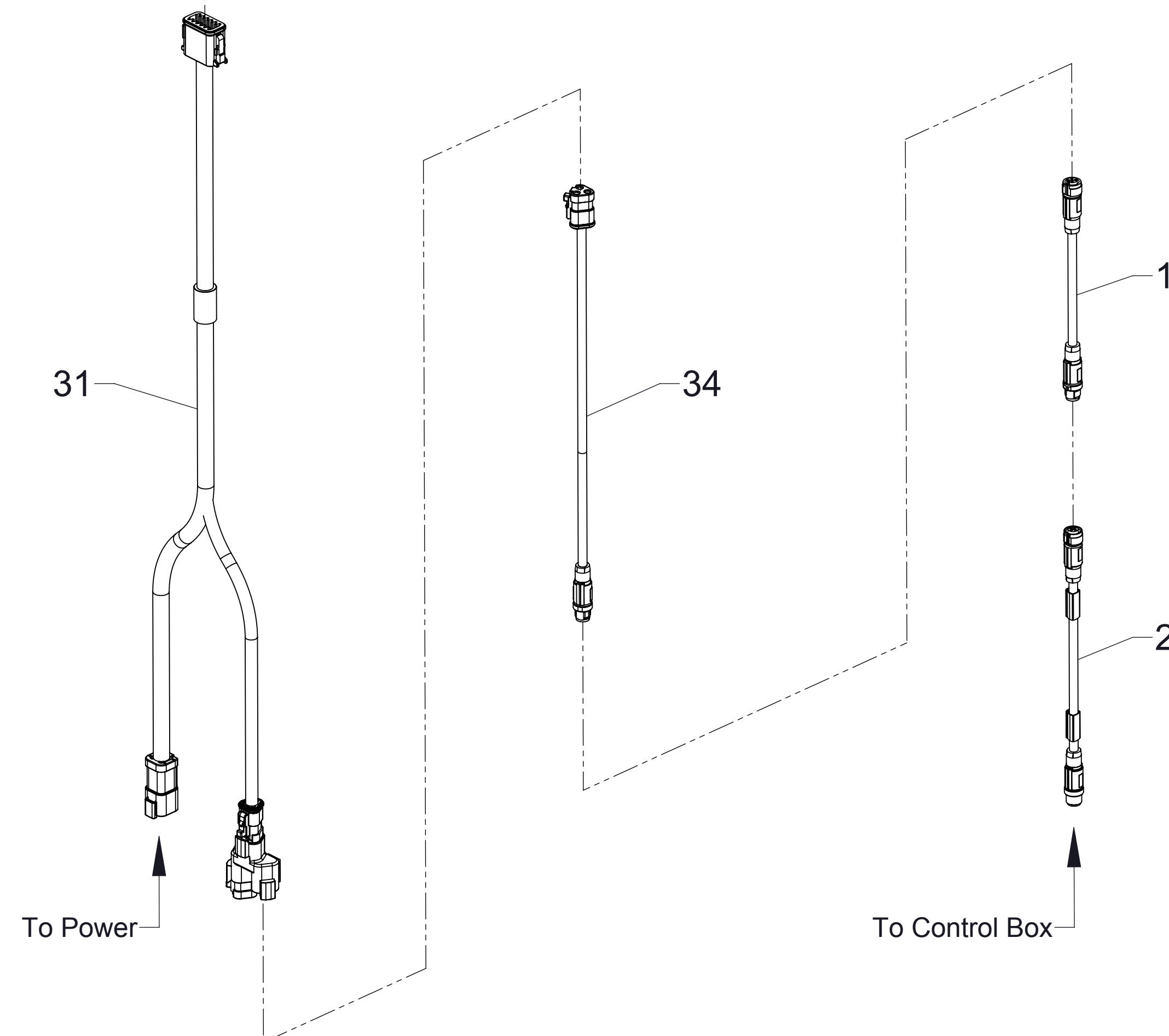
| Ref No. | Description                             |
|---------|---|
| 4       | Yellow or Gray Sensor Cable, .50 Meters |
| 5       | Yellow or Gray Sensor Cable, 3.0 Meters |
| 6       | Pressure Transducer, M12 x 1/4 in NPT   |
| 10      | M12 Sealing Cap                         |
| 20      | Control Box                             |
| 21      | PLC Controller                          |



**Control Box**  
(Single and Dual PLC)



| Ref No. | Description                     |
|---------|---------------------------------|
| 1       | Violet CAN Cable, .50 Meters    |
| 2       | Violet CAN Cable, 2.0 Meters    |
| 11      | RF Antenna                      |
| 12      | Screw-Socket Set, 1/4-20 x 2 in |
| 13      | Three Arm Knob                  |
| 14      | Panel Clamp                     |
| 30      | Tellurus Control Panel, Repairs |
| 31      | Tellurus HMI Cable              |
| 34      | Violet Tellurus CAN Cable       |



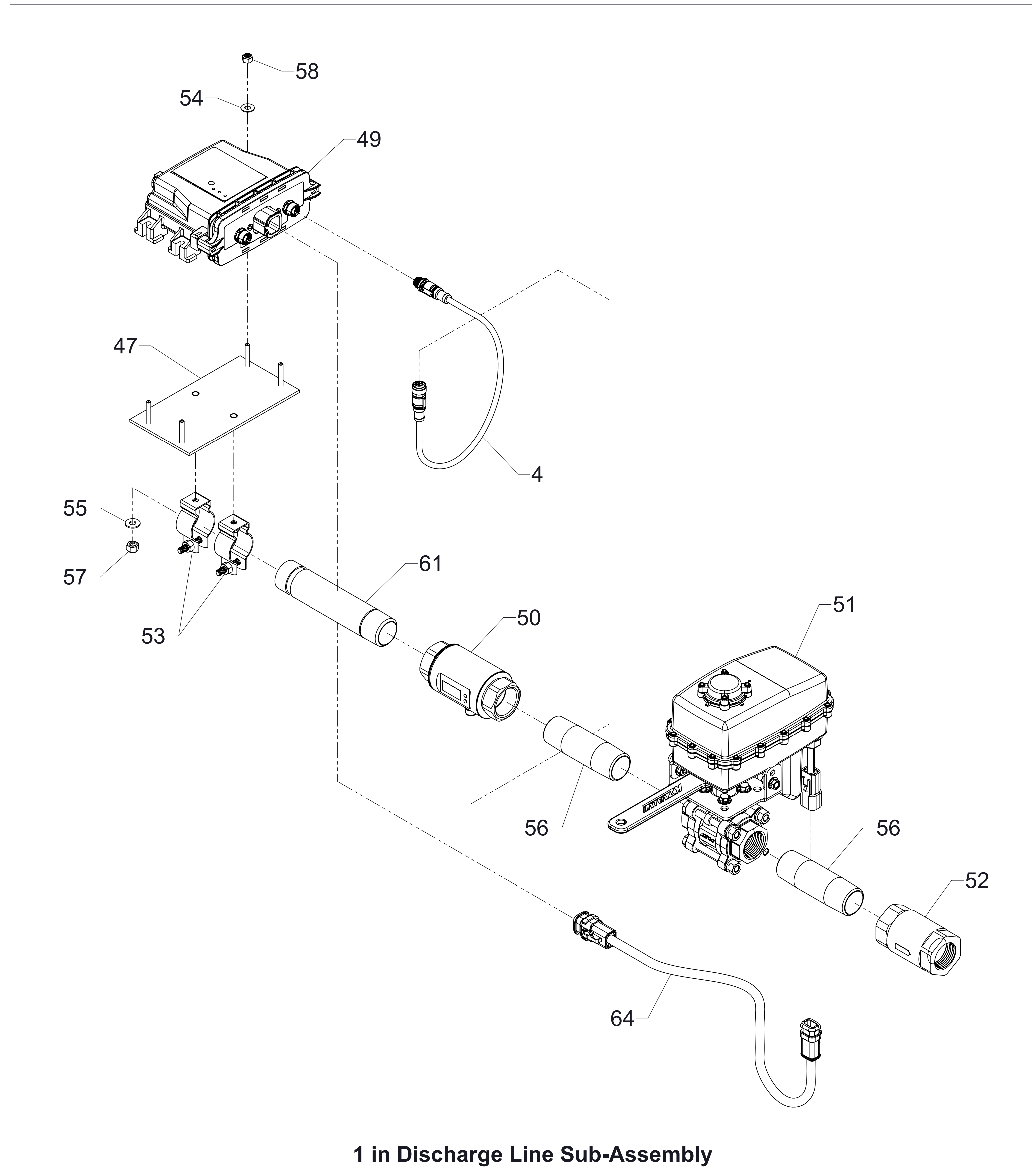
## Tellurus Control Panel



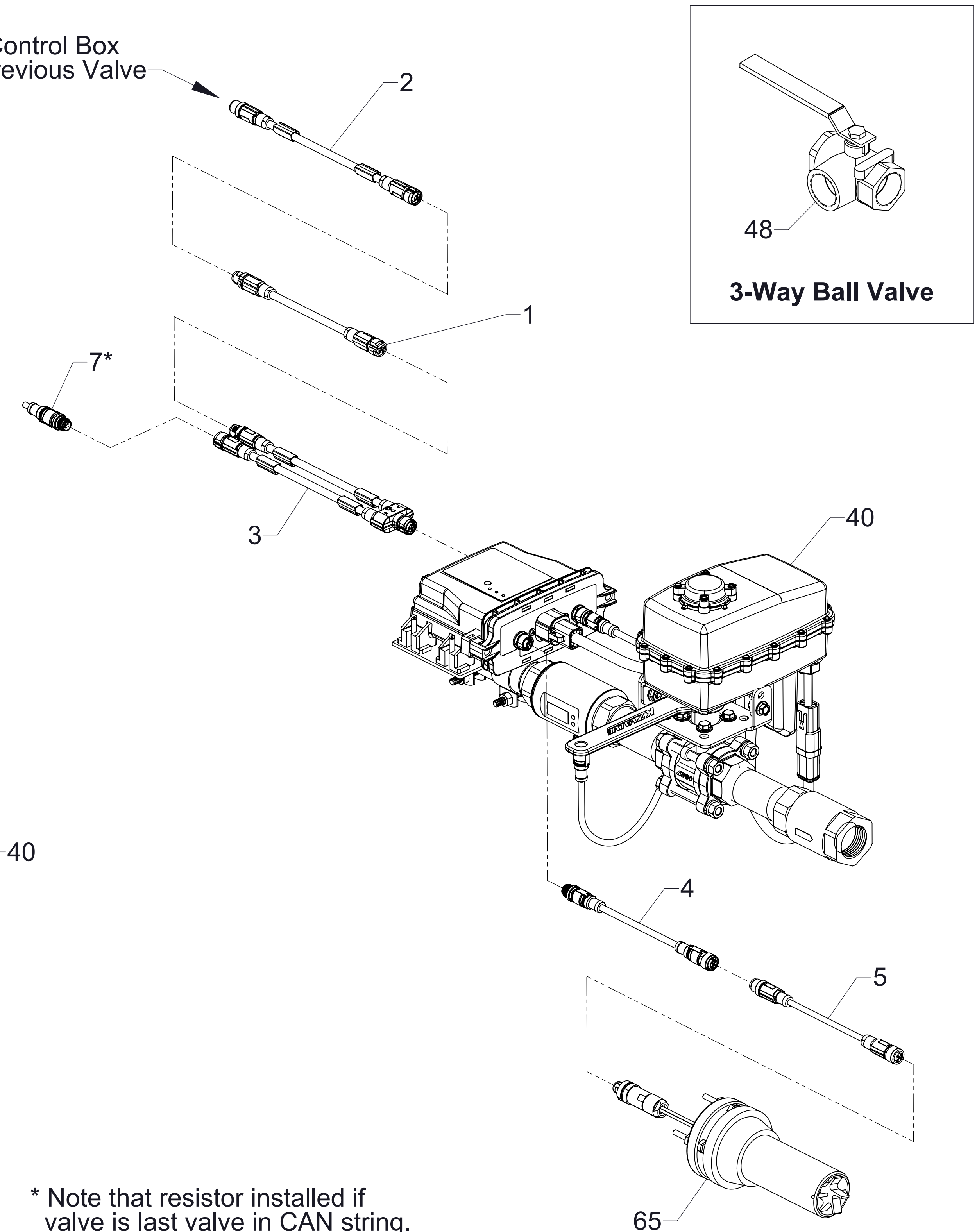
| Ref No. | Description                             |
|---------|---|
| 1       | Violet CAN Cable, .50 Meters            |
| 2       | Violet CAN Cable, 2.0 Meters            |
| 3       | CAN Cable Splitter                      |
| 4       | Yellow or Gray Sensor Cable, .50 Meters |
| 5       | Yellow or Gray Sensor Cable, 3.0 Meters |
| 7*      | CAN Termination Resistor                |
| 40      | Discharge Line Sub-Assembly, 1 in       |
| 47      | Node Mounting Plate                     |

| Ref No. | Description                           |
|---------|---------------------------------------|
| 48      | Manual 3-Way Ball Valve, 1 in NPT (F) |
| 49      | Node Controller                       |
| 50      | Magnetic Flowmeter, 1 in              |
| 51      | Electric Ball Valve, 1 in, SS         |
| 52      | Check Valve, 1 in                     |
| 53      | Mounting Clamp, 1 in                  |
| 54      | Plain Washer, 3/16 in, SS             |

| Ref No. | Description                            |
|---------|--|
| 55      | Plain Washer, 1/4 in. SS               |
| 56      | Pipe Nipple, 1 in NPT x 4 in, SS       |
| 57      | Nylok Hex Nut, 1/4-20, SS              |
| 58      | Nylok Hex Nut, Finished, 10-32, SS     |
| 61      | Pipe, 1 in Victaulic x 1 in NPT x 6 in |
| 64      | Valve Motor Cable                      |
| 65      | Paddlewheel Flowmeter                  |



To Control Box  
or previous Valve



**3-Way Ball Valve**

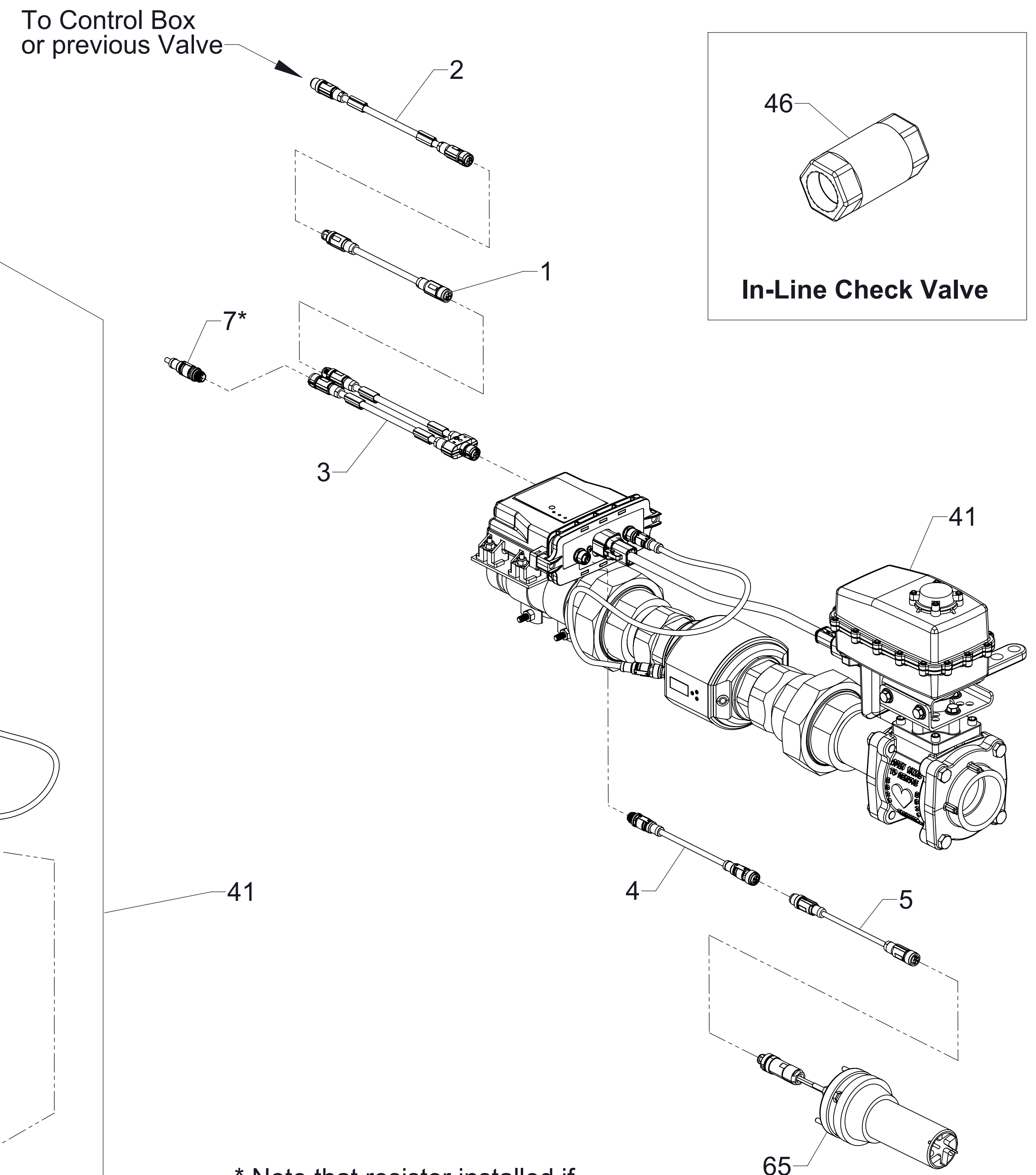
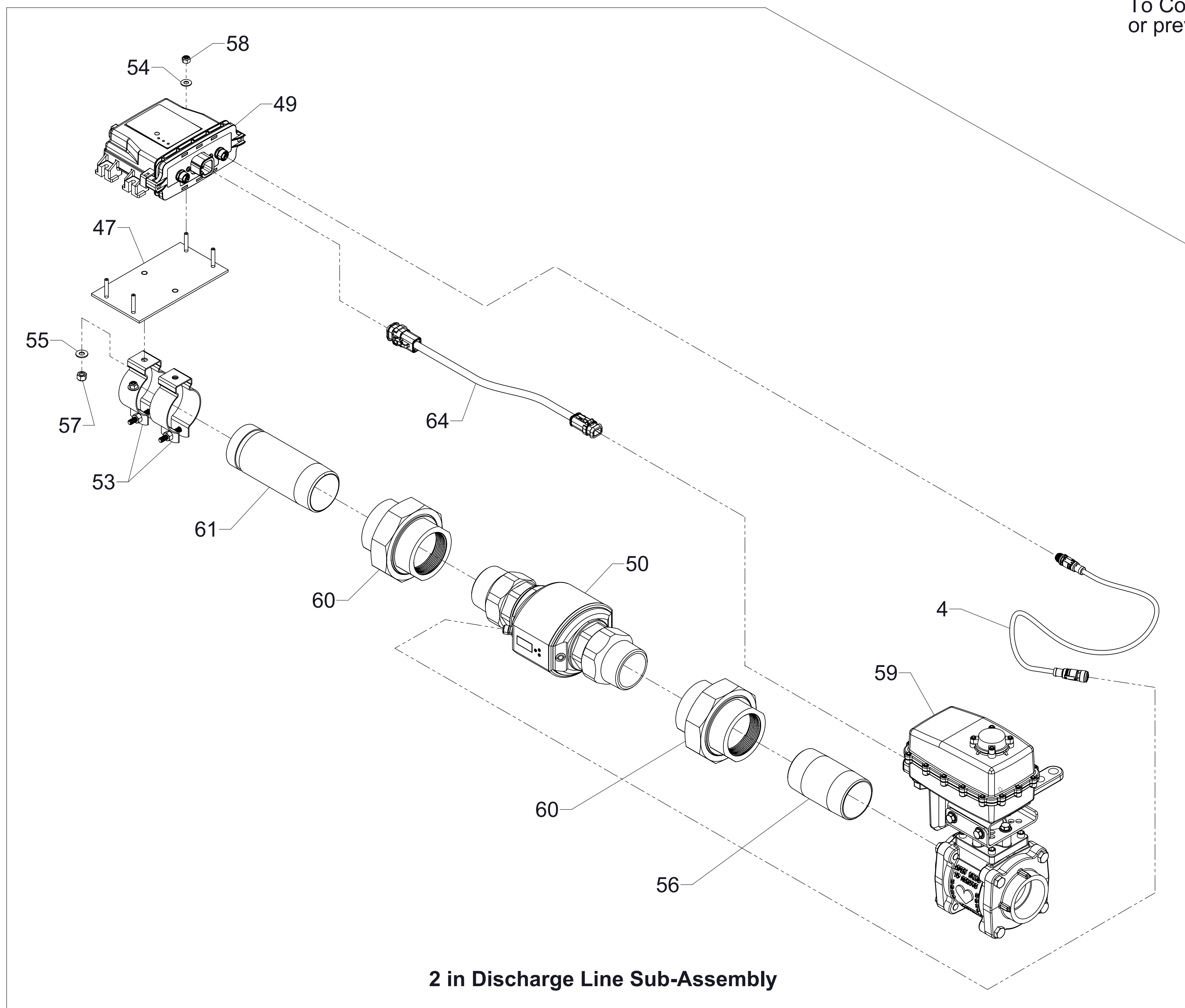
\* Note that resistor installed if  
valve is last valve in CAN string.

**1 in Discharge Line Assembly**

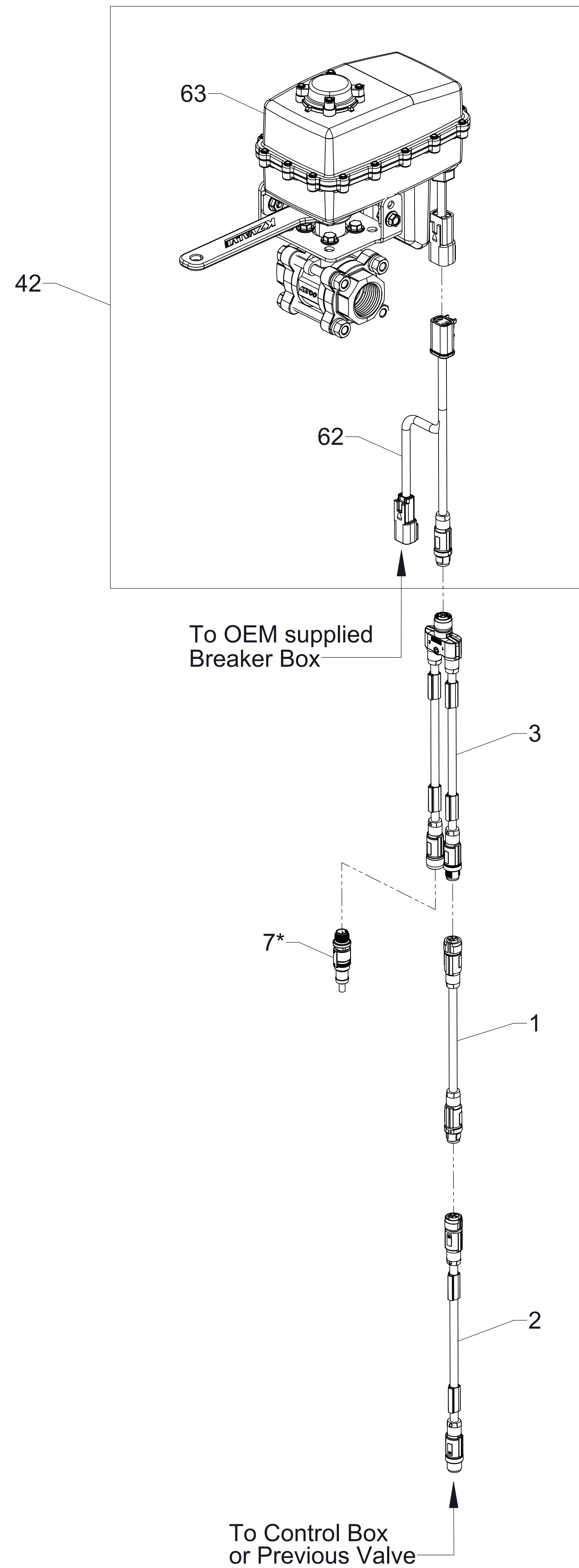


| Ref No. | Description                             |
|---------|---|
| 1       | Violet CAN Cable, .50 Meters            |
| 2       | Violet CAN Cable, 2.0 Meters            |
| 3       | CAN Cable Splitter                      |
| 4       | Yellow or Gray Sensor Cable, .50 Meters |
| 5       | Yellow or Gray Sensor Cable, 3.0 Meters |
| 7*      | CAN Termination Resistor                |
| 41      | Discharge Line Sub-Assembly, 2 in       |
| 46      | In-Line Check Valve, 2 in               |
| 47      | Node Mounting Plate                     |
| 48      | Manual 3-Way Ball Valve, 2 in NPT (F)   |
| 49      | Node Controller                         |

| Ref No. | Description                                |
|---------|--|
| 50      | Magnetic Flowmeter, 2 in                   |
| 53      | Mounting Clamp, 2 in                       |
| 54      | Plain Washer, 3/16 in, SS                  |
| 55      | Plain Washer, 1/4 in. SS                   |
| 56      | Pipe Nipple, 2 in NPT x 4 in, SS           |
| 57      | Nylok Hex Nut, 1/4-20, SS                  |
| 58      | Nylok Hex Nut, Finished, 10-32, SS         |
| 59      | Ball Valve Sub-Assembly, 2 in              |
| 60      | Pipe Union, 2 in                           |
| 61      | Pipe, 2 in Victaulic x 2 in NPT x 6 in, SS |
| 64      | Valve Motor Cable                          |
| 65      | Paddlewheel Flowmeter                      |



**2 in Discharge Line Assembly**



| Ref No. | Description                              |
|---------|--|
| 1       | Violet CAN Cable, .50 Meters             |
| 2       | Violet CAN Cable, 2.0 Meters             |
| 3       | CAN Cable Splitter                       |
| 7*      | CAN Termination Resistor                 |
| 42      | Priming Valve Sub-Assembly               |
| 62      | CAN and Valve Power Cable                |
| 63      | 2-Position Electric Ball Valve, 1 in, SS |

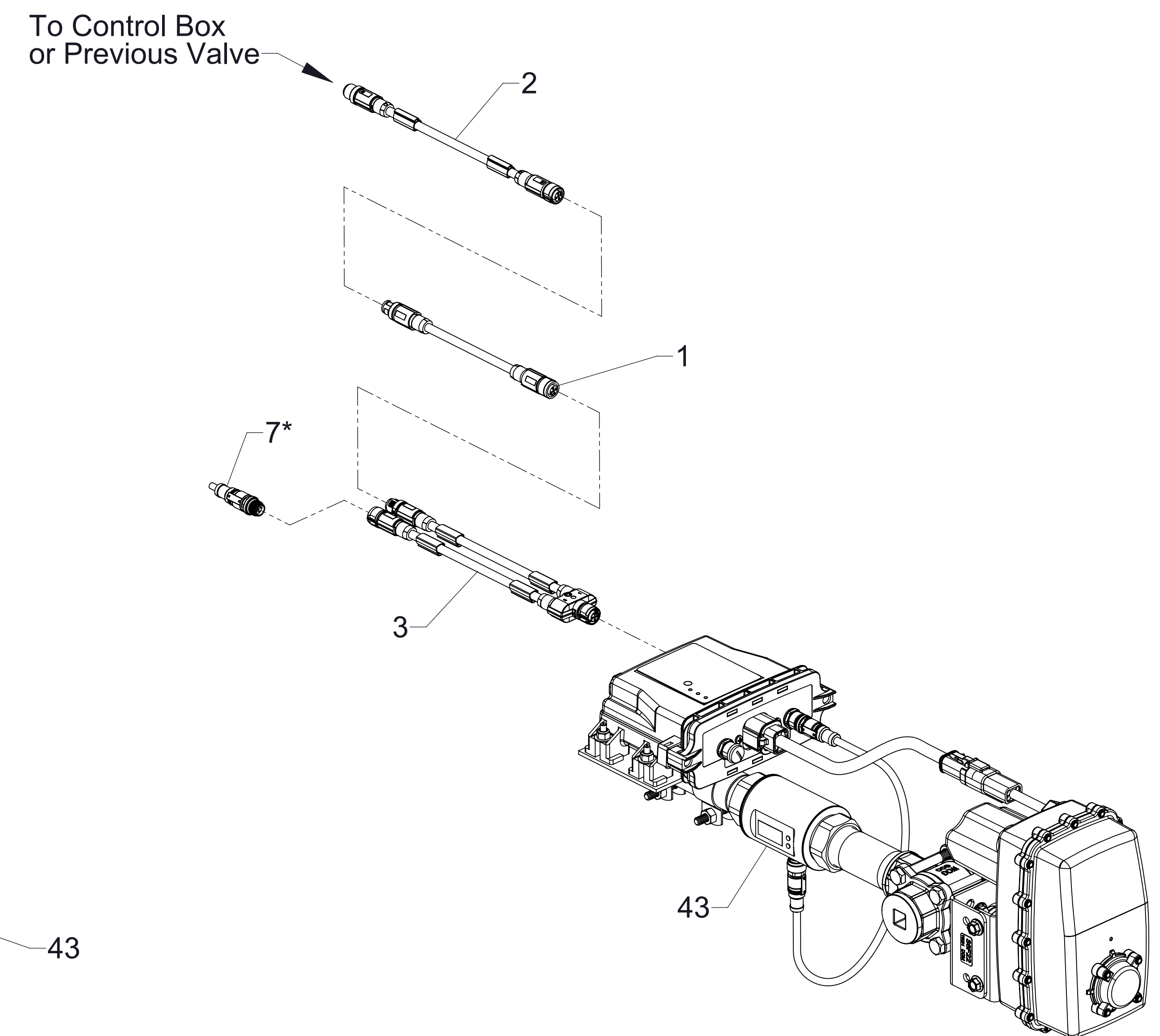
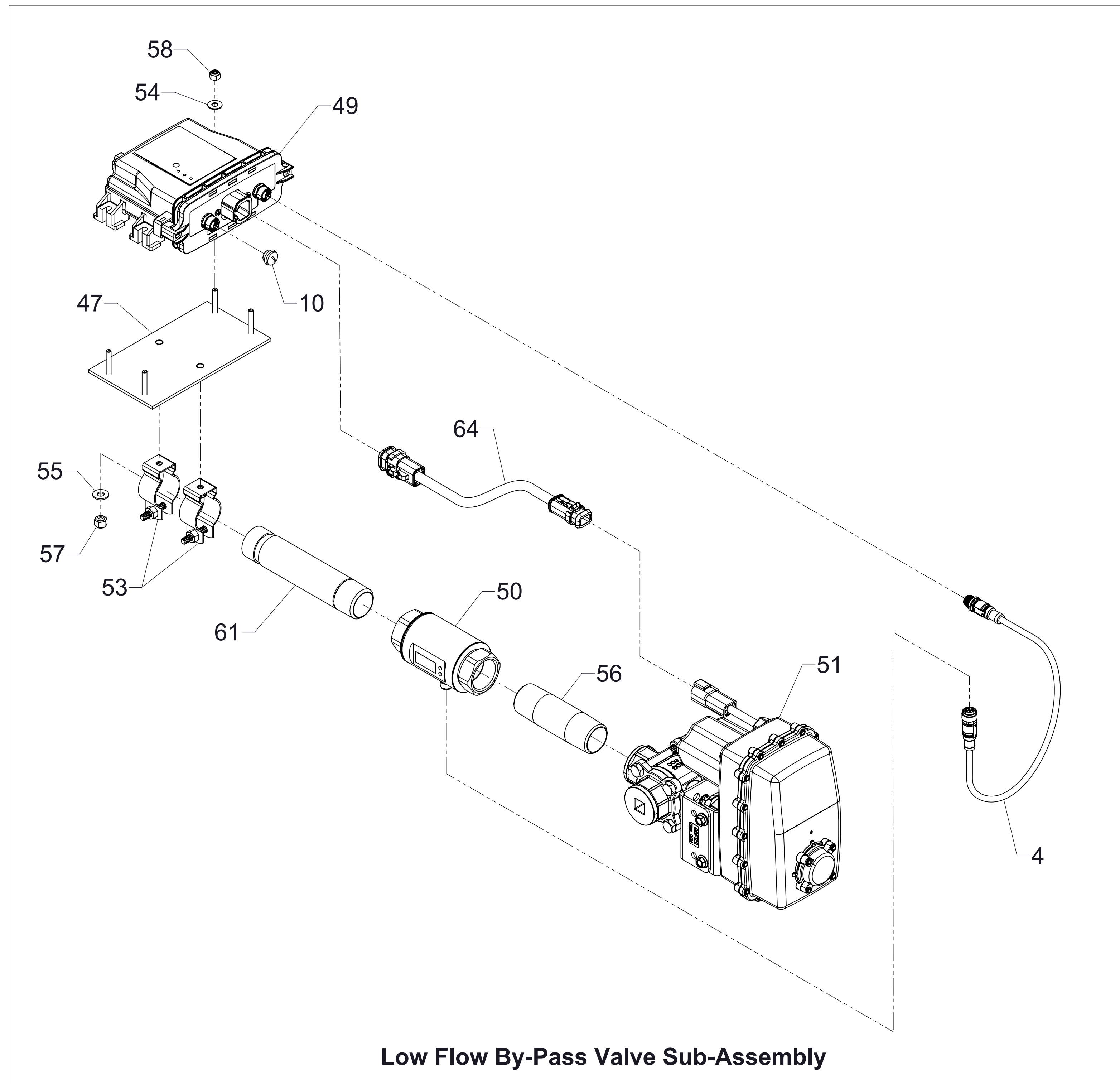
\* Note that resistor installed if valve is last valve in CAN string.

### Priming Valve Assembly



| Ref No. | Description                            |
|---------|--|
| 1       | Violet CAN Cable, .50 Meters           |
| 2       | Violet CAN Cable, 2.0 Meters           |
| 3       | CAN Cable Splitter                     |
| 4       | Yellow or Gray Sensor Cable, .50 Meter |
| 7*      | CAN Termination Resistor               |
| 10      | Sealing Cap, M12                       |
| 43      | Low Flow By-Pass Valve Sub-Assembly    |
| 47      | Node Mounting Plate                    |
| 49      | Node Controller                        |
| 50      | Magnetic Flowmeter, 2 in               |

| Ref No. | Description                                |
|---------|--|
| 51      | Electric Ball Valve, 1 in, SS              |
| 53      | Mounting Clamp, 2 in                       |
| 54      | Plain Washer, 3/16 in, SS                  |
| 55      | Plain Washer, 1/4 in, SS                   |
| 56      | Pipe Nipple, 1 in NPT x 4 in, SS           |
| 57      | Nylok Hex Nut, 1/4-20, SS                  |
| 58      | Nylok Hex Nut, Finished, 10-32, SS         |
| 61      | Pipe, 1 in Victaulic x 1 in NPT x 6 in, SS |
| 64      | Valve Motor Cable                          |

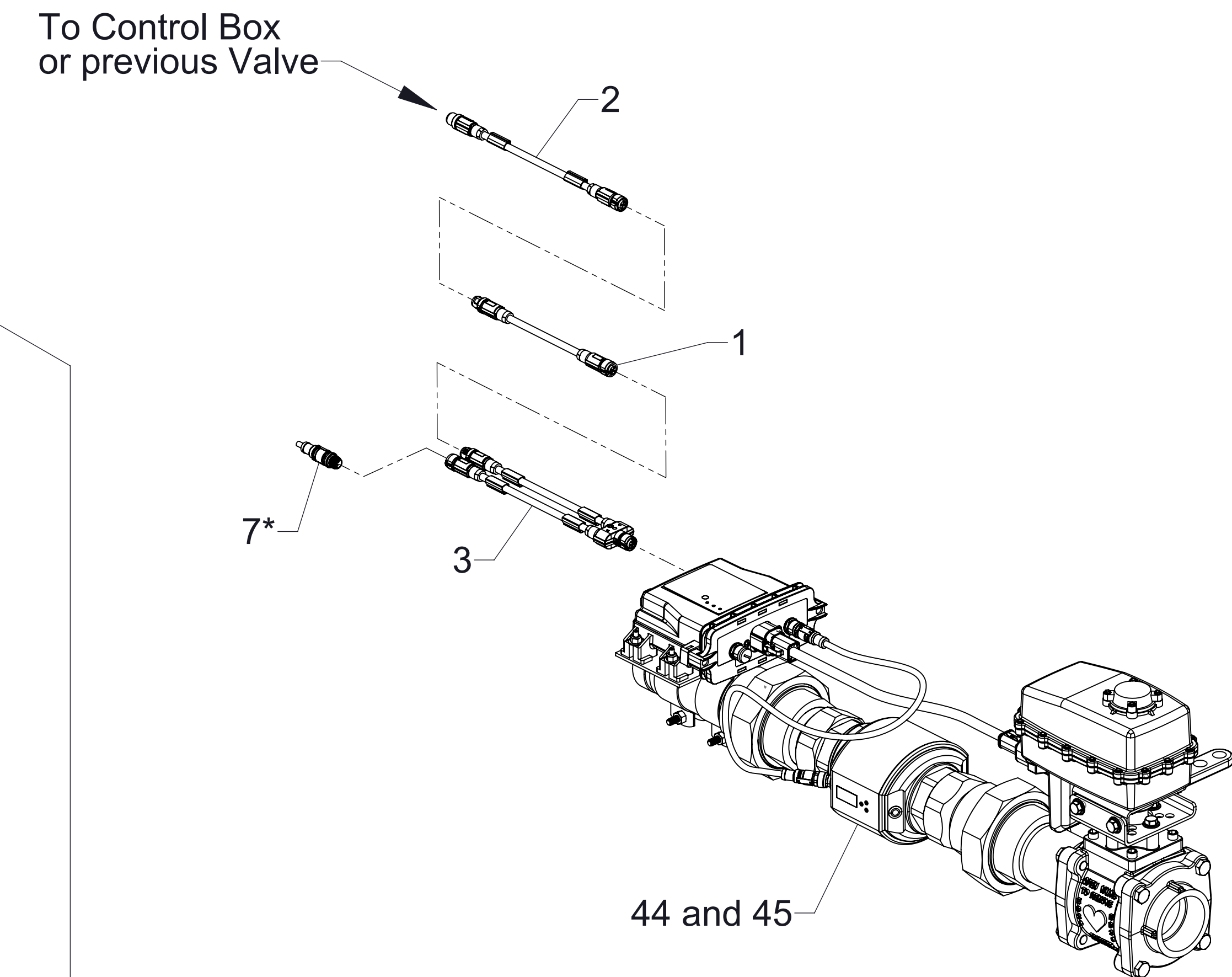
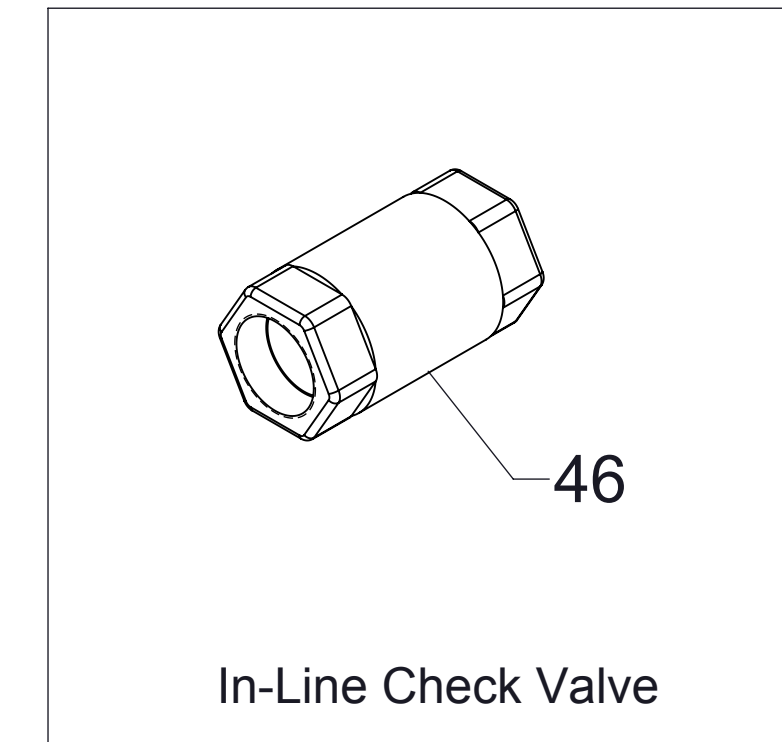
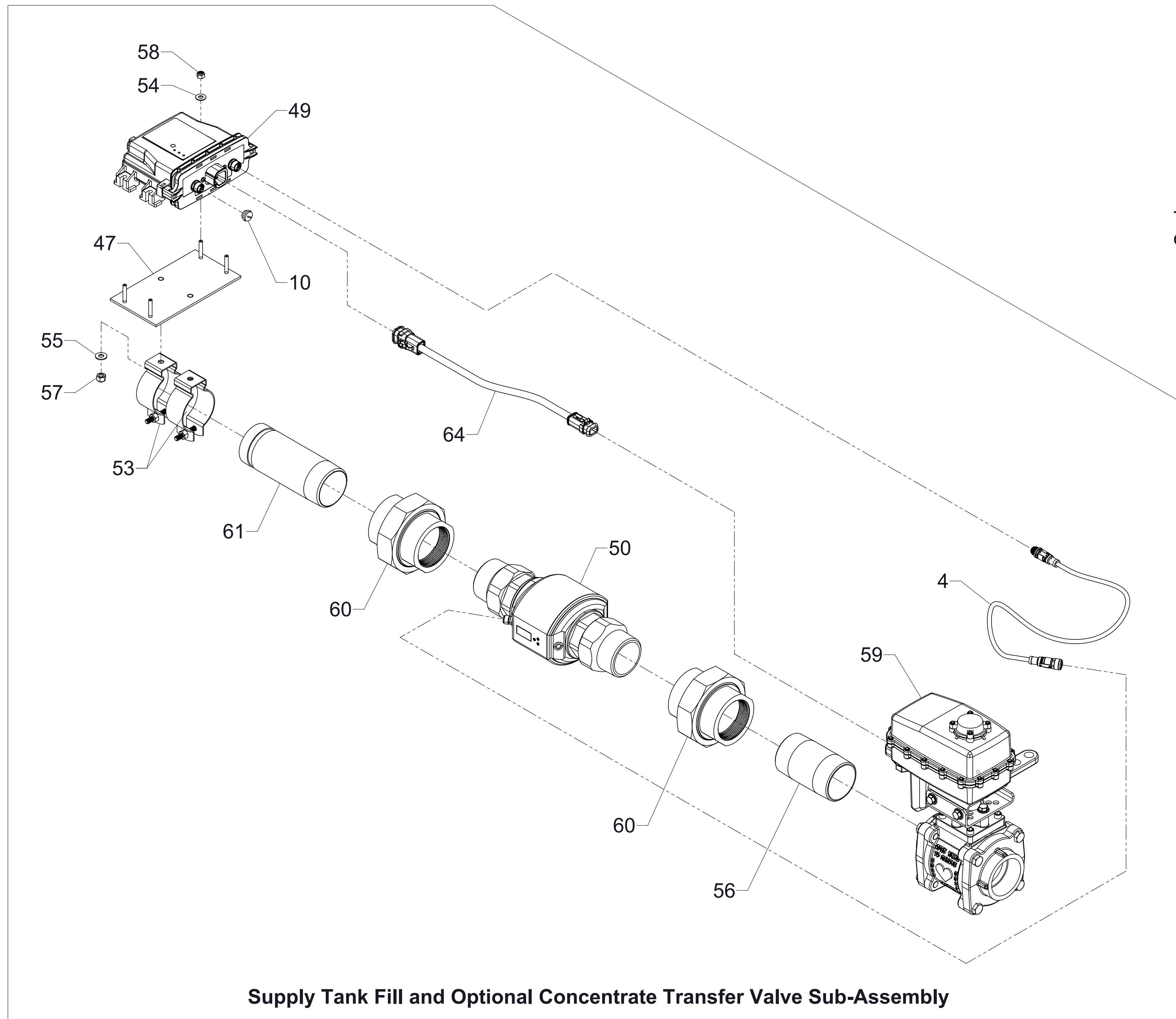


\* Note that resistor installed if valve is last valve in CAN string.

### Optional Low Flow By-Pass Valve Assembly

| Ref No. | Description                             |
|---------|---|
| 1       | Violet CAN Cable, .50 Meters            |
| 2       | Violet CAN Cable, 2.0 Meters            |
| 3       | CAN Cable Splitter                      |
| 4       | Yellow or Gray Sensor Cable, .50 Meter  |
| 7*      | CAN Termination Resistor                |
| 10      | Sealing Cap, M12                        |
| 44      | Supply Tank Fill Valve Sub-Assembly     |
| 45      | Concentrate Transfer Valve Sub-Assembly |
| 46      | In-Line Check Valve, 2 in               |
| 47      | Node Mounting Plate                     |
| 49      | Node Controller                         |

| Ref No. | Description                                |
|---------|--|
| 50      | Magnetic Flowmeter, 2 in                   |
| 53      | Mounting Clamp, 2 in                       |
| 54      | Plain Washer, 3/16 in, SS                  |
| 55      | Plain Washer, 1/4 in. SS                   |
| 56      | Pipe Nipple, 2 in NPT x 4 in, SS           |
| 57      | Nylok Hex Nut, 1/4-20, SS                  |
| 58      | Nylok Hex Nut, Finished, 10-32, SS         |
| 59      | Ball Valve Sub-Assembly, 2 in              |
| 60      | Pipe Union, 2 in                           |
| 61      | Pipe, 2 in Victaulic x 2 in NPT x 6 in, SS |
| 64      | Valve Motor Cable                          |



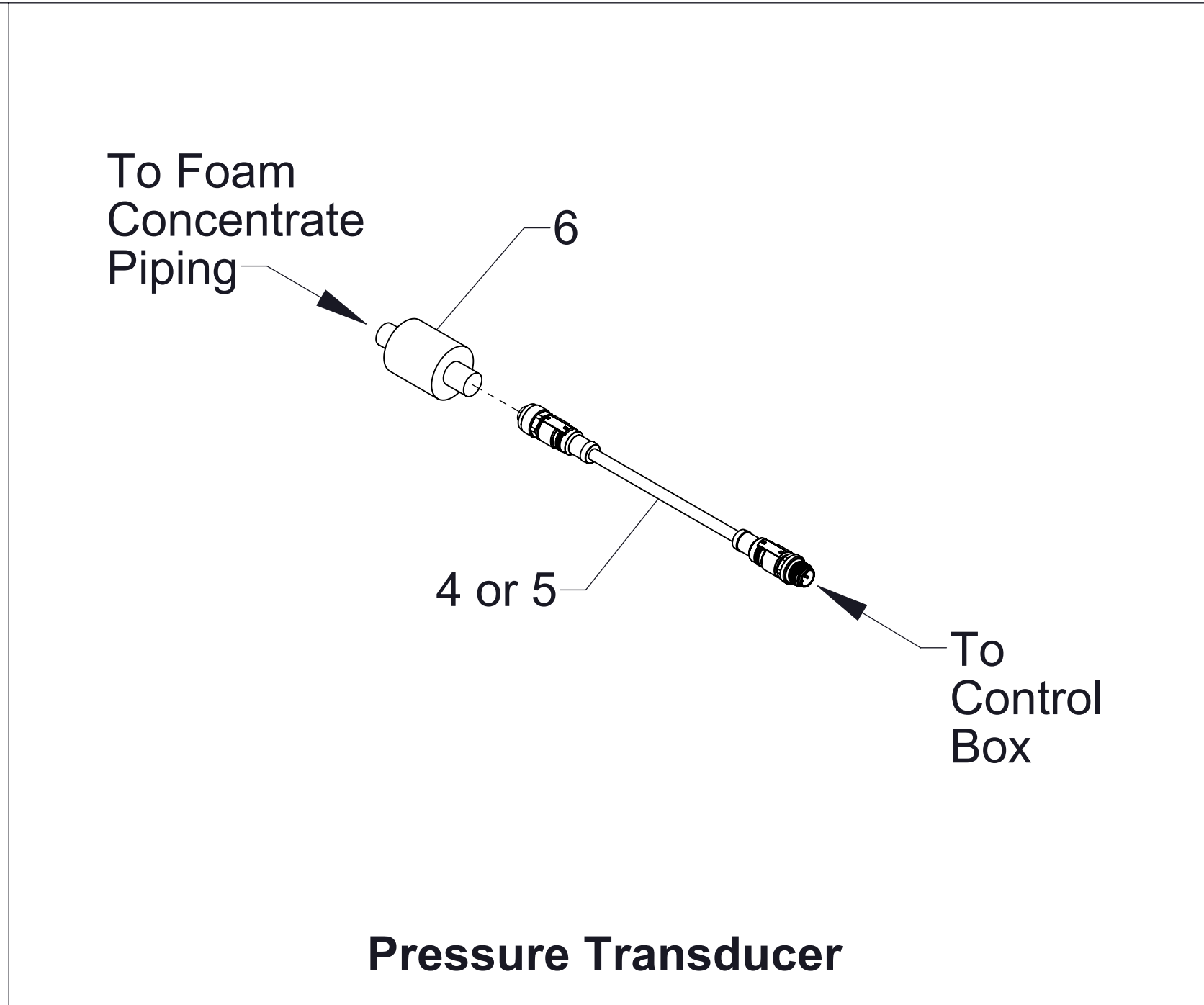
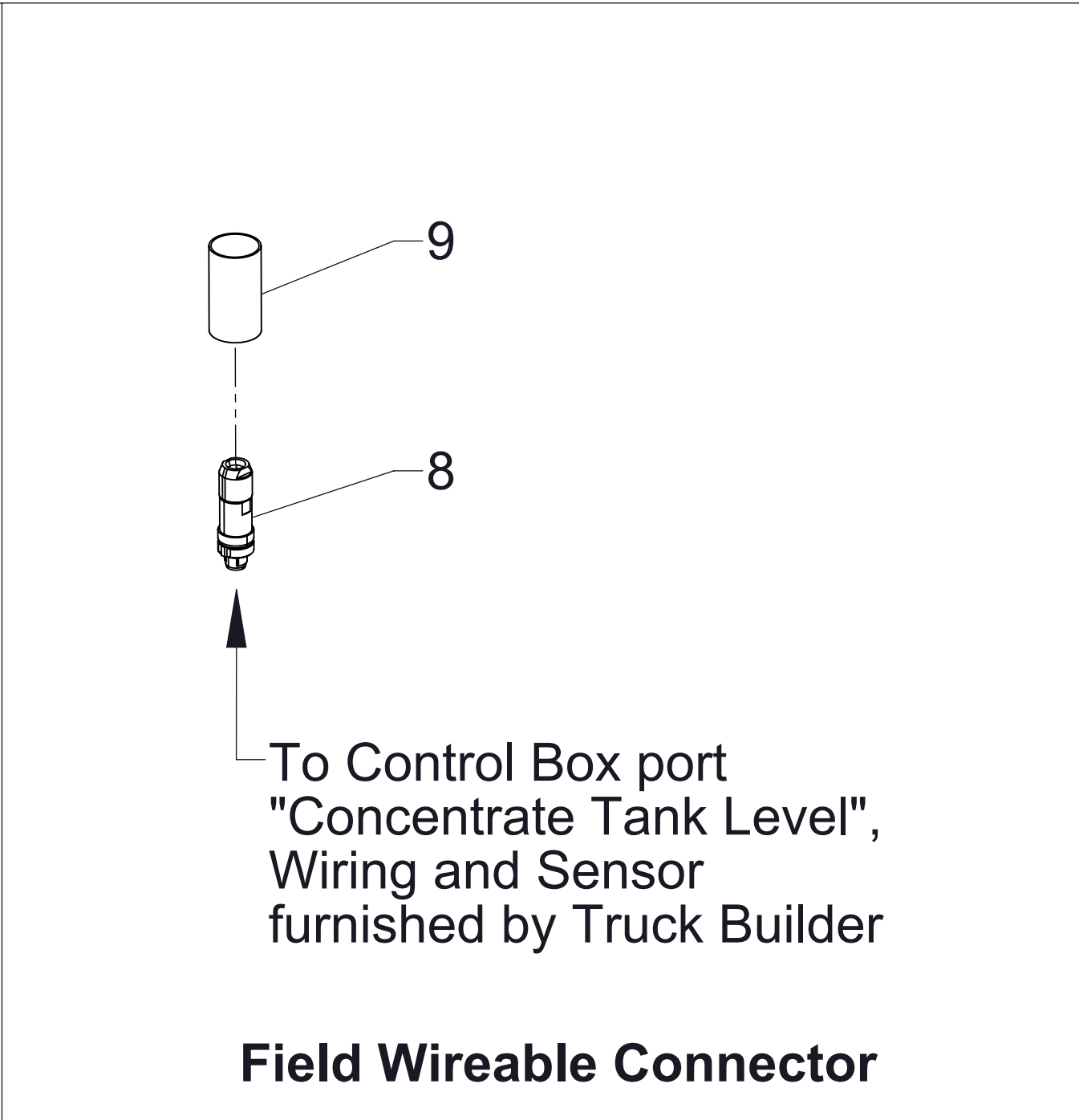
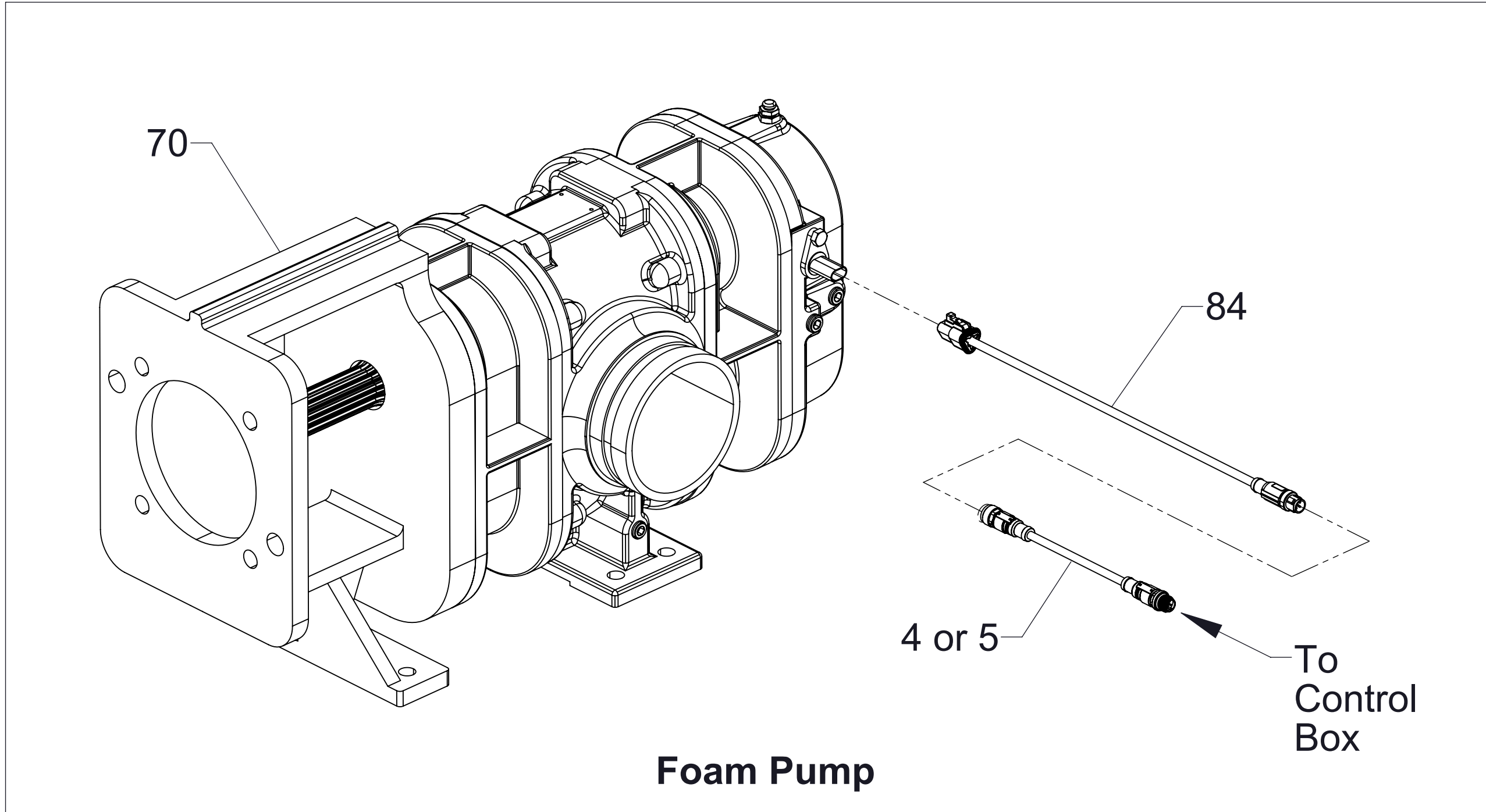
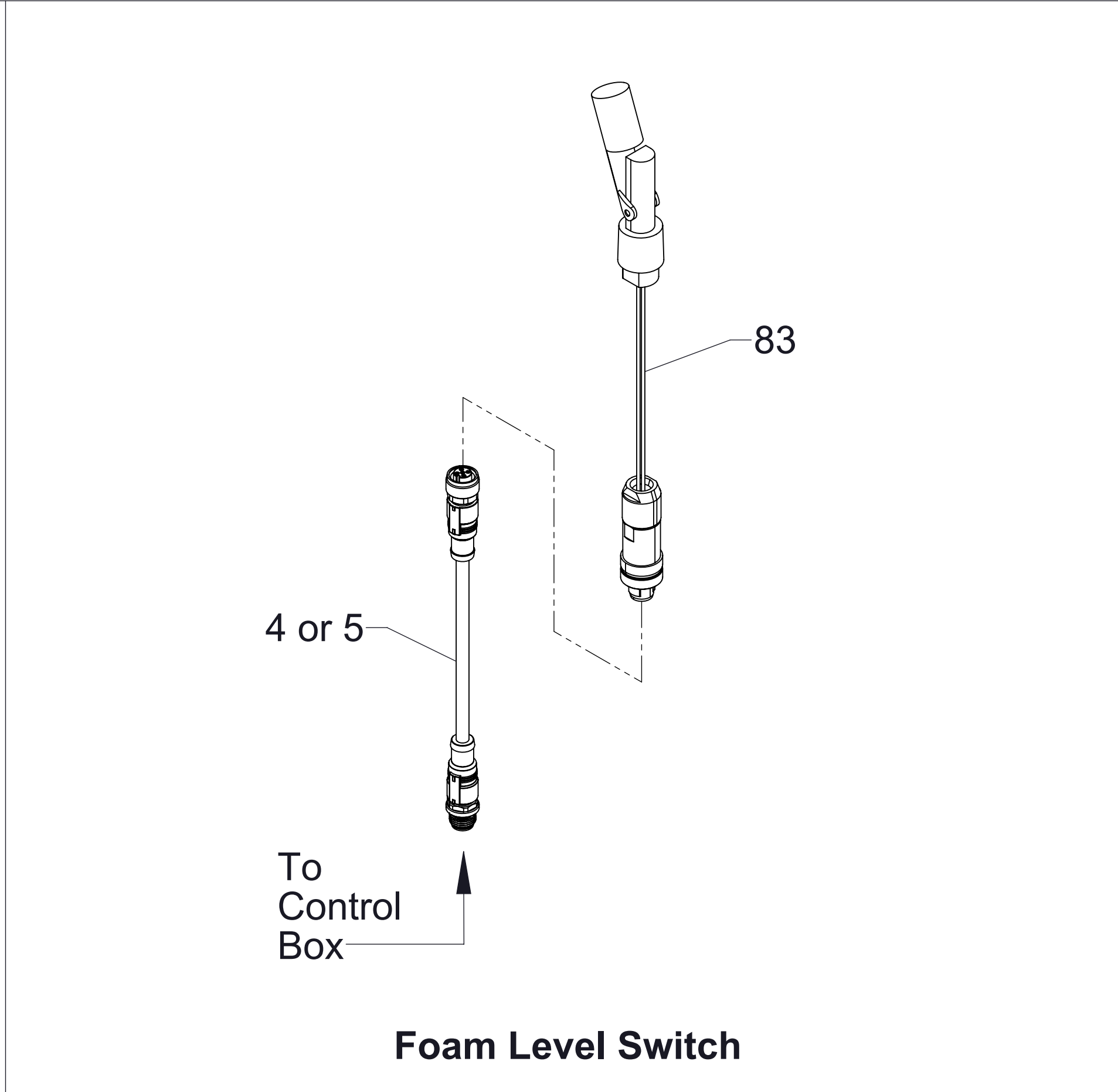
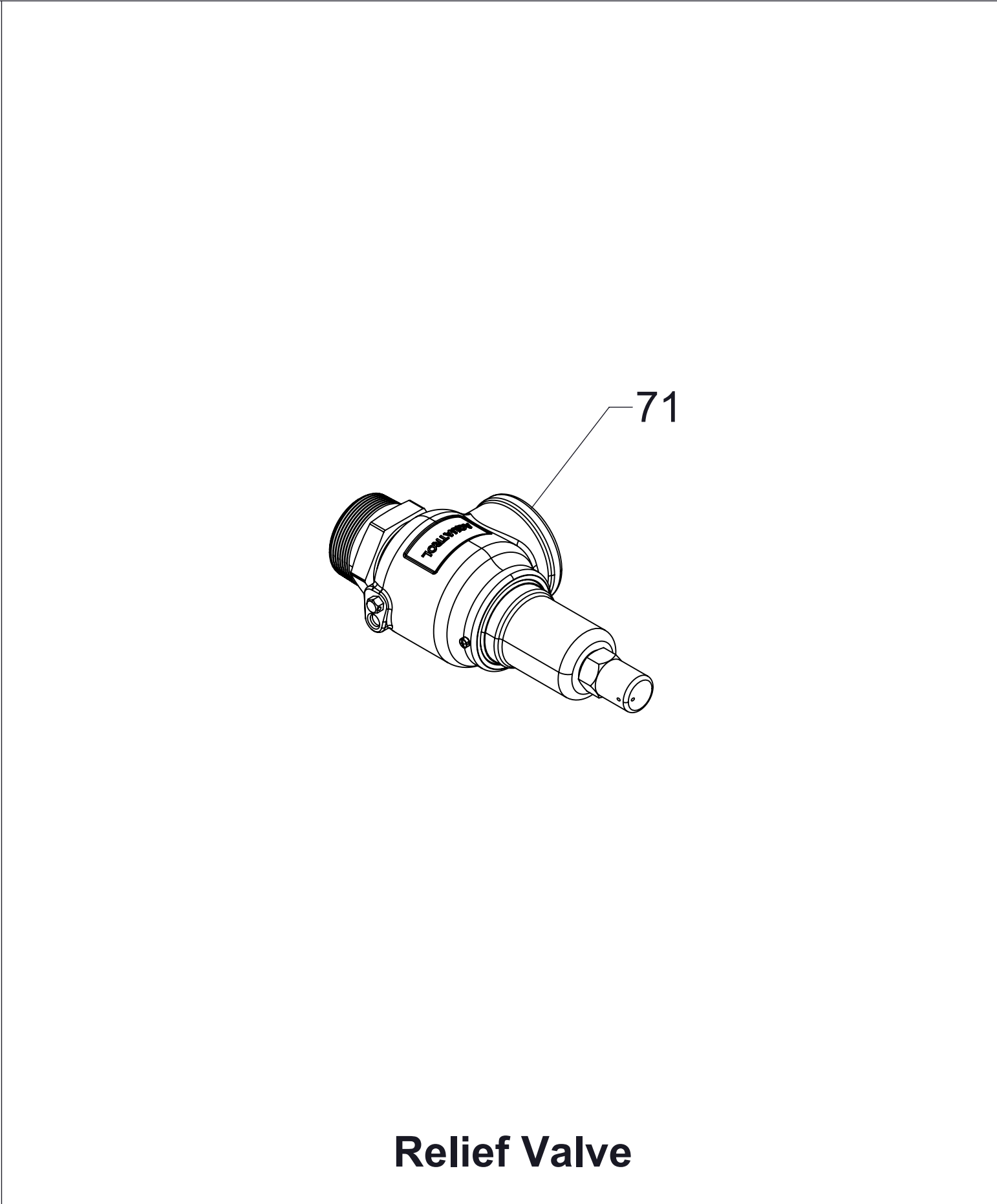
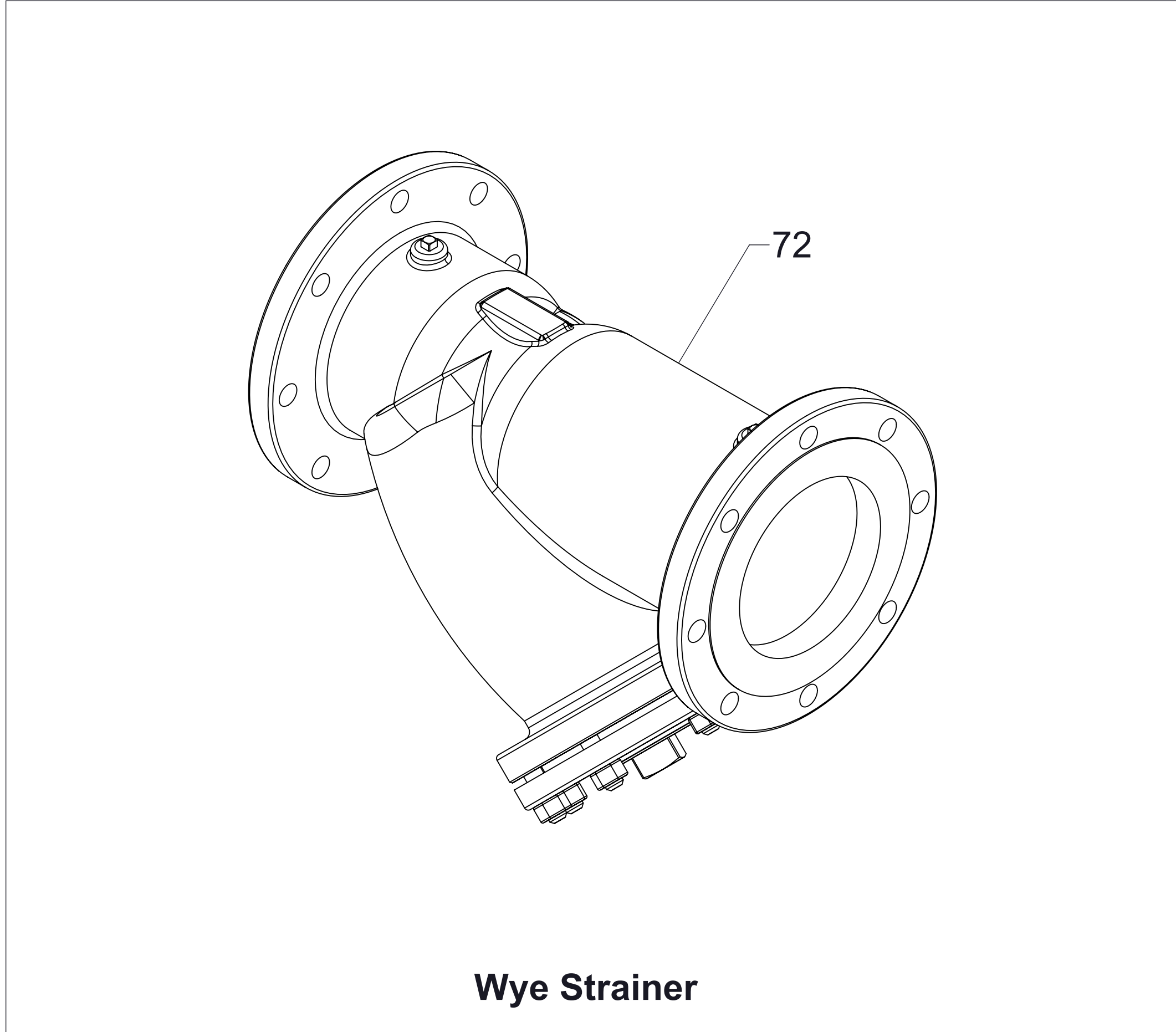
\* Note that resistor installed if valve is last valve in CAN string.

## Supply Tank Fill and Optional Concentrate Transfer Valve Assembly

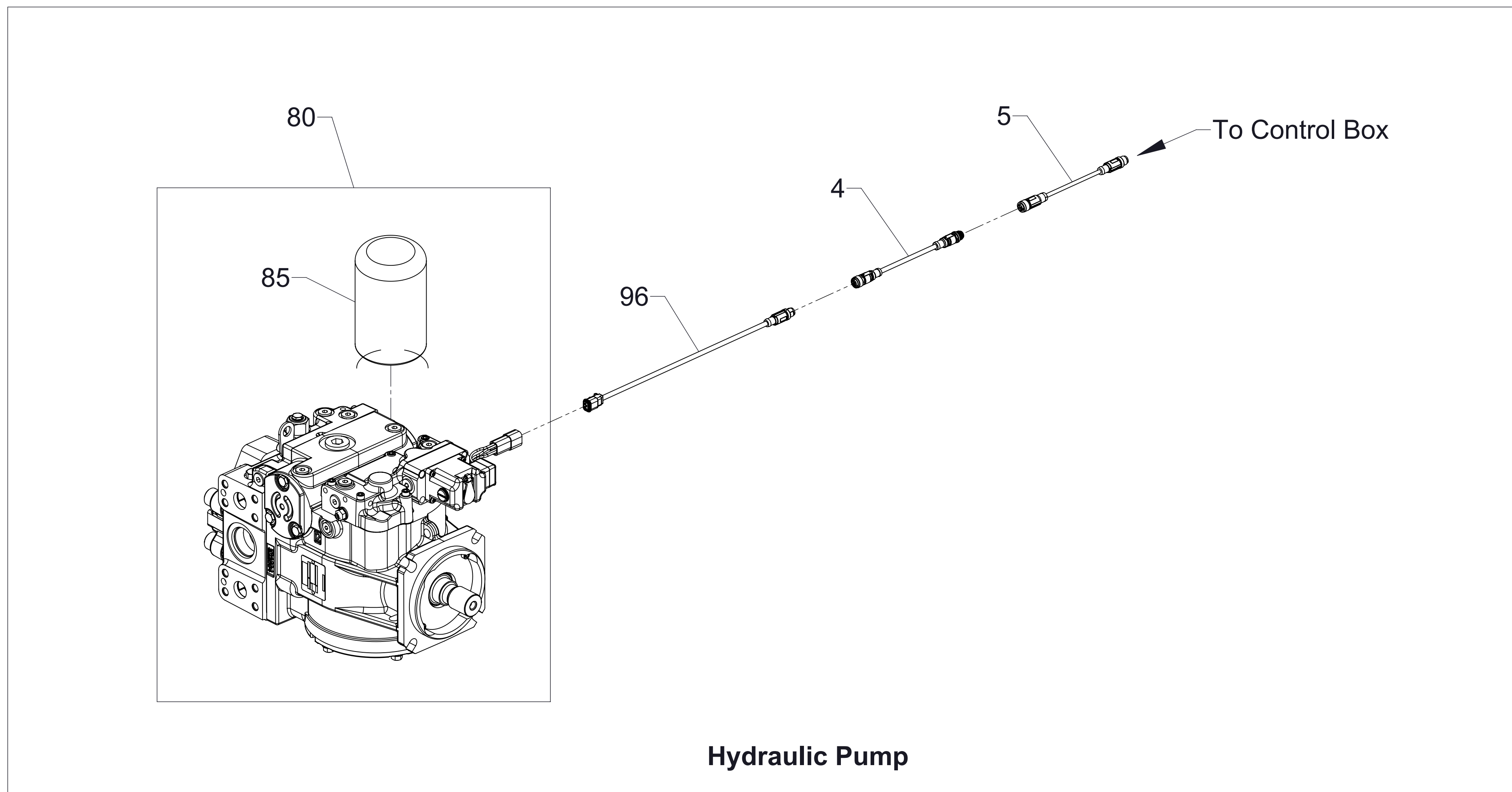


| Ref No. | Description                             |
|---------|---|
| 4       | Yellow or Gray Sensor Cable, .50 Meter  |
| 5       | Yellow or Gray Sensor Cable, 3.0 Meters |
| 6       | Pressure Transducer, M12 x 1/4 in NPT   |
| 8       | Field Wireable Connector, M12           |
| 9       | Shrink Wrap                             |

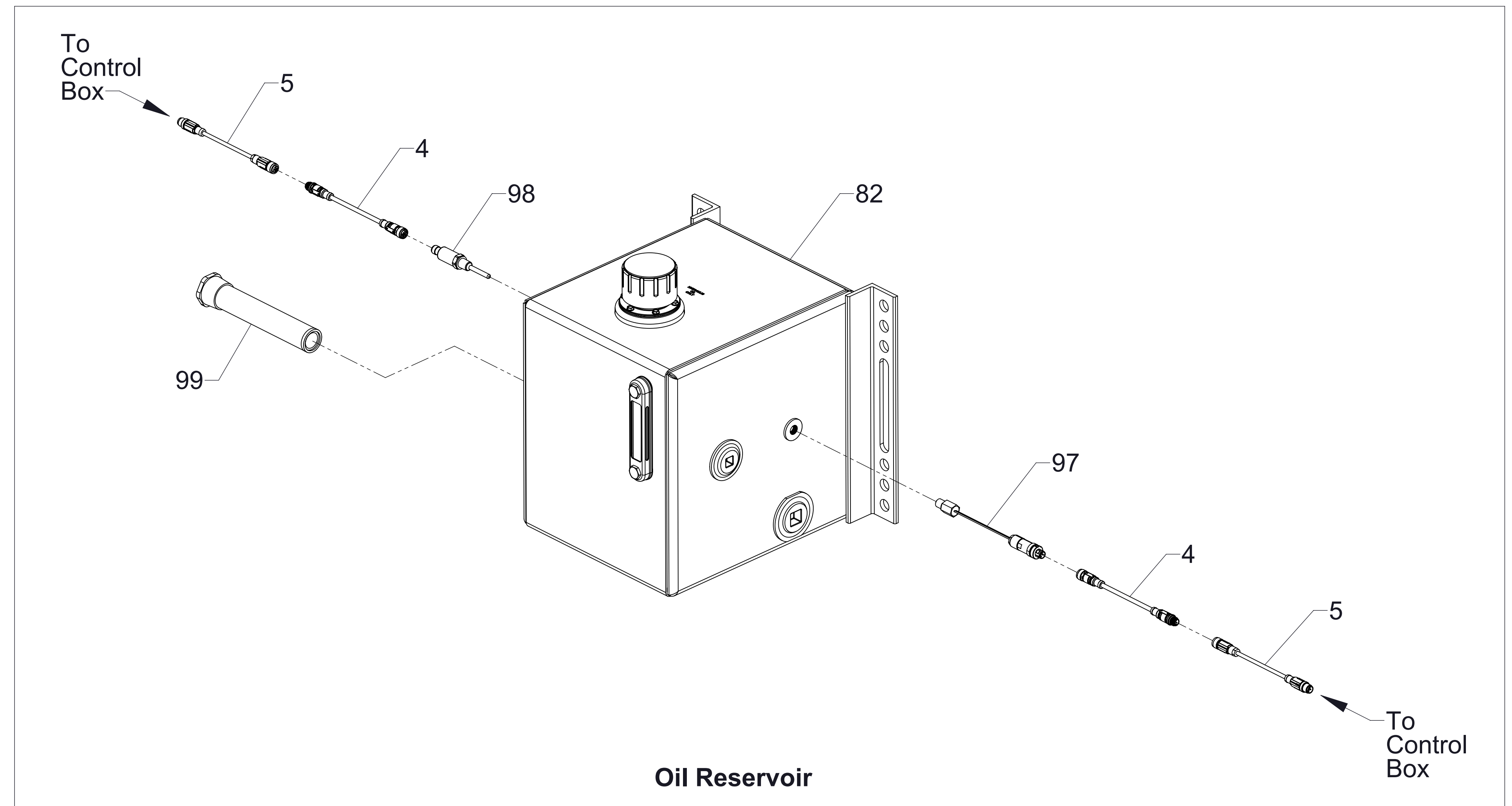
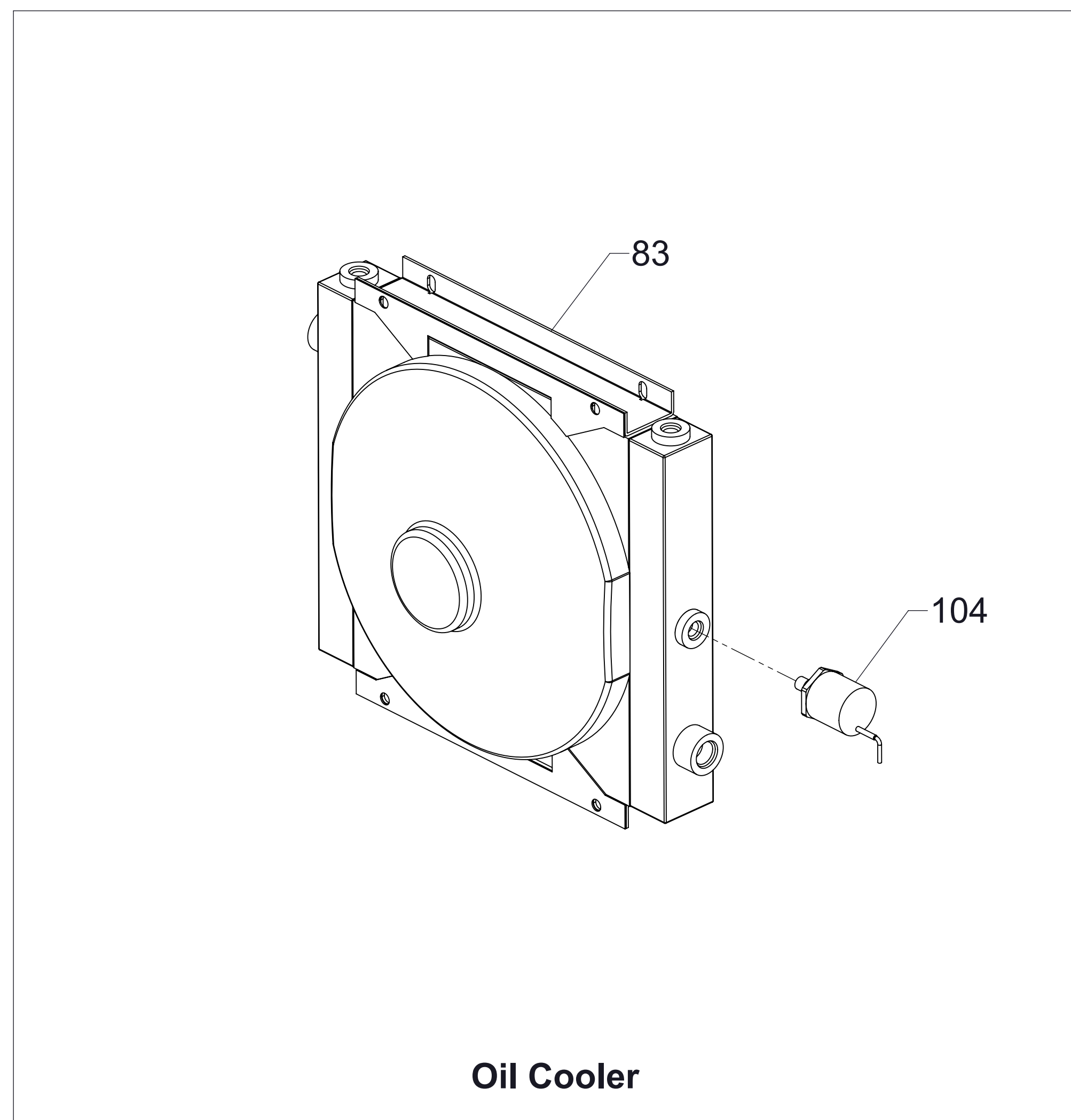
| Ref No. | Description       |
|---------|-------------------|
| 70      | Foam Pump         |
| 71      | Relief Valve      |
| 72      | Wye Strainer      |
| 83      | Foam Level Switch |
| 84      | Foam Pump Cable   |



**Foam Concentrate System**



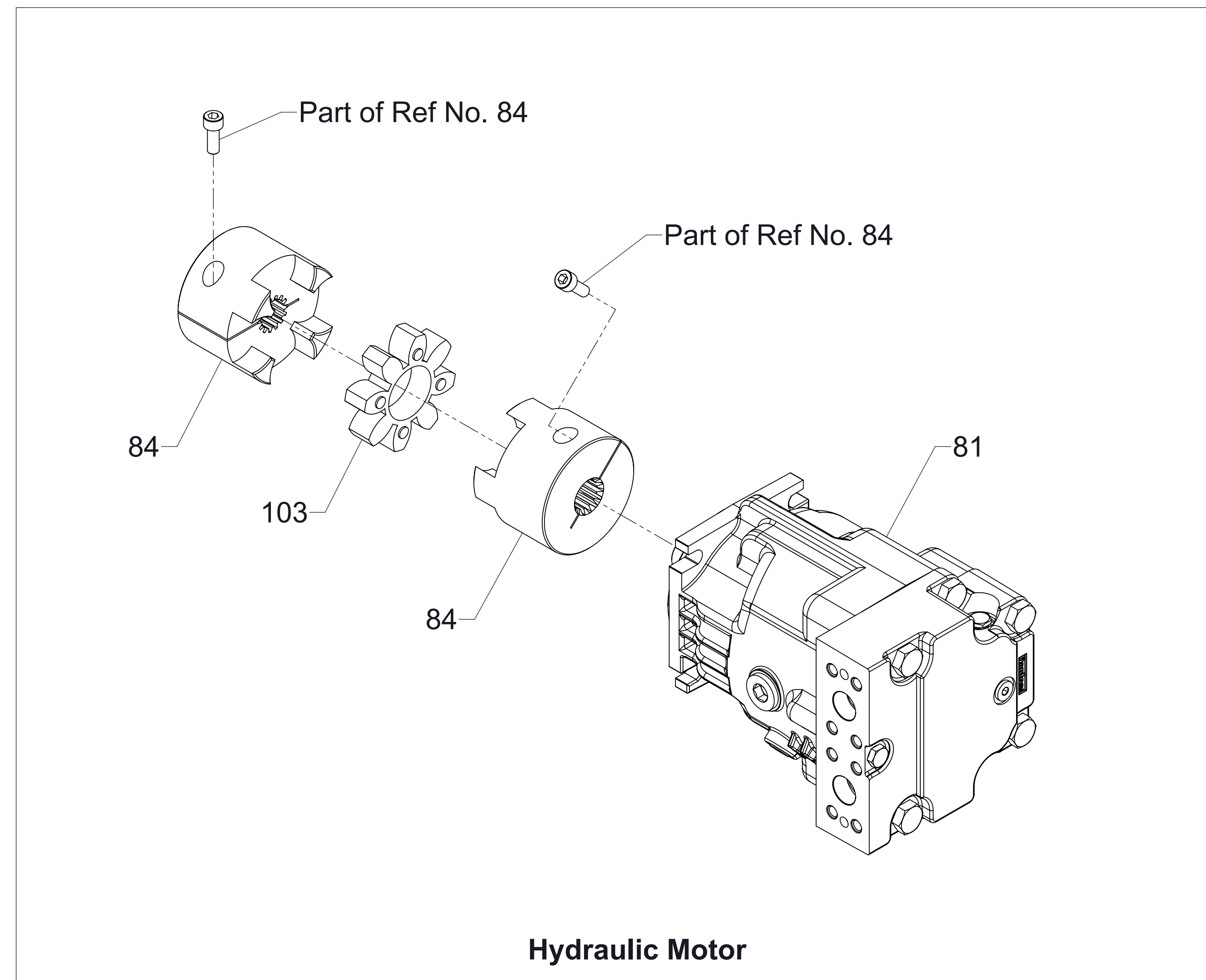
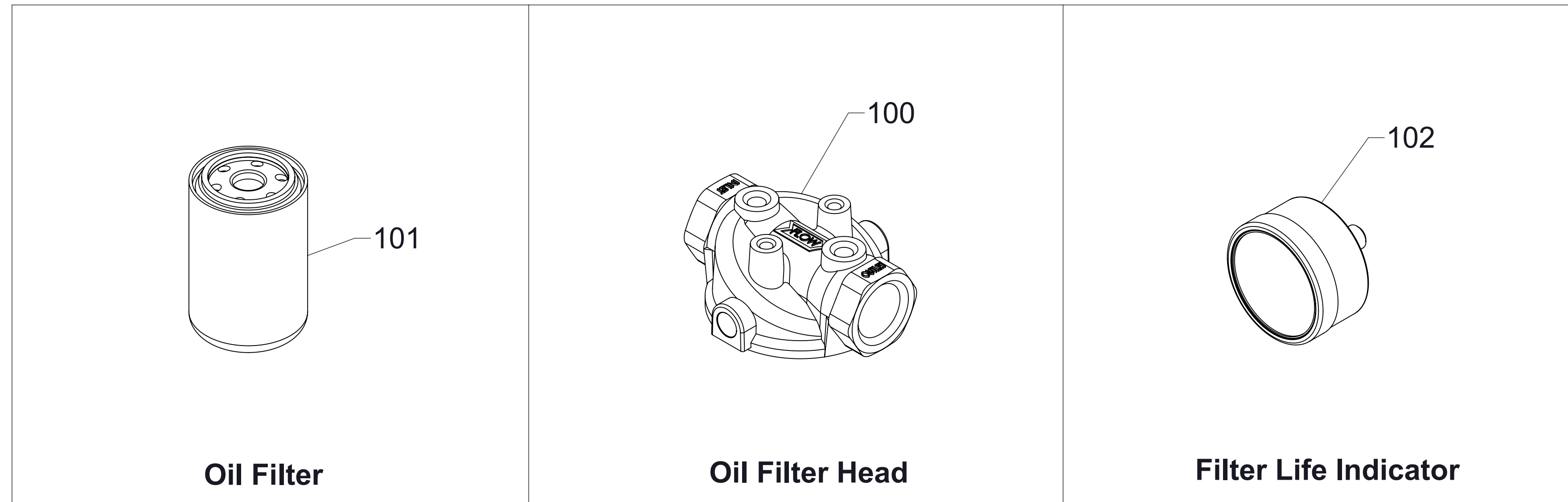
| Ref No. | Description                            |
|---------|--|
| 4       | Yellow or Gray Sensor Cable, .50 Meter |
| 5       | Yellow or Gray Sensor Cable, 3.0 Meter |
| 80      | Hydraulic Pump                         |
| 82      | Oil Reservoir                          |
| 83      | Oil Cooler                             |
| 85      | Hydraulic Motor Filter                 |
| 96      | Hydraulic Pump Cable                   |
| 97      | Oil Level Sensor                       |
| 98      | Oil Temperature Transmitter            |
| 99      | Oil Strainer                           |
| 104     | Fan Controller Switch                  |



## Hydraulic System



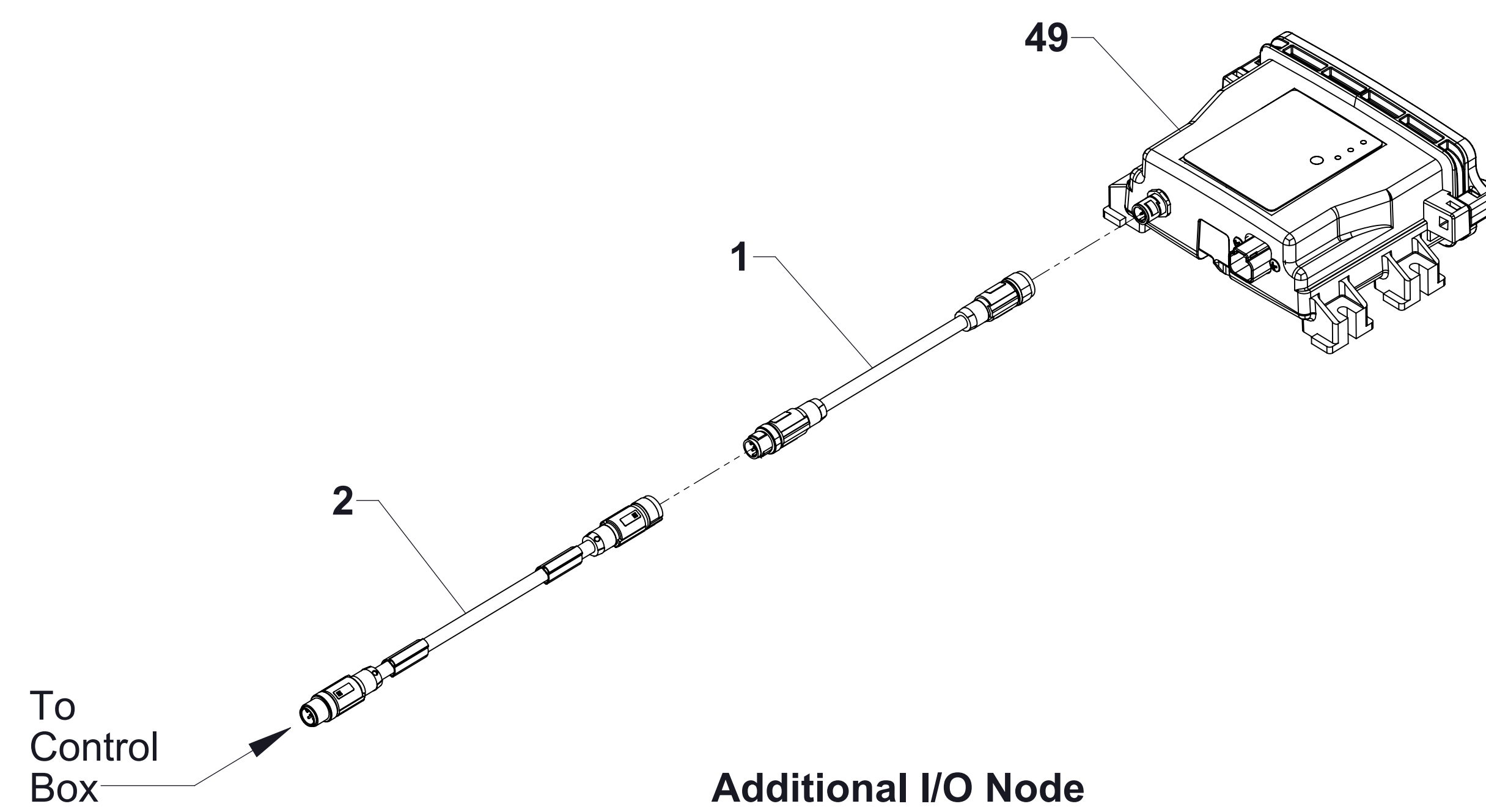
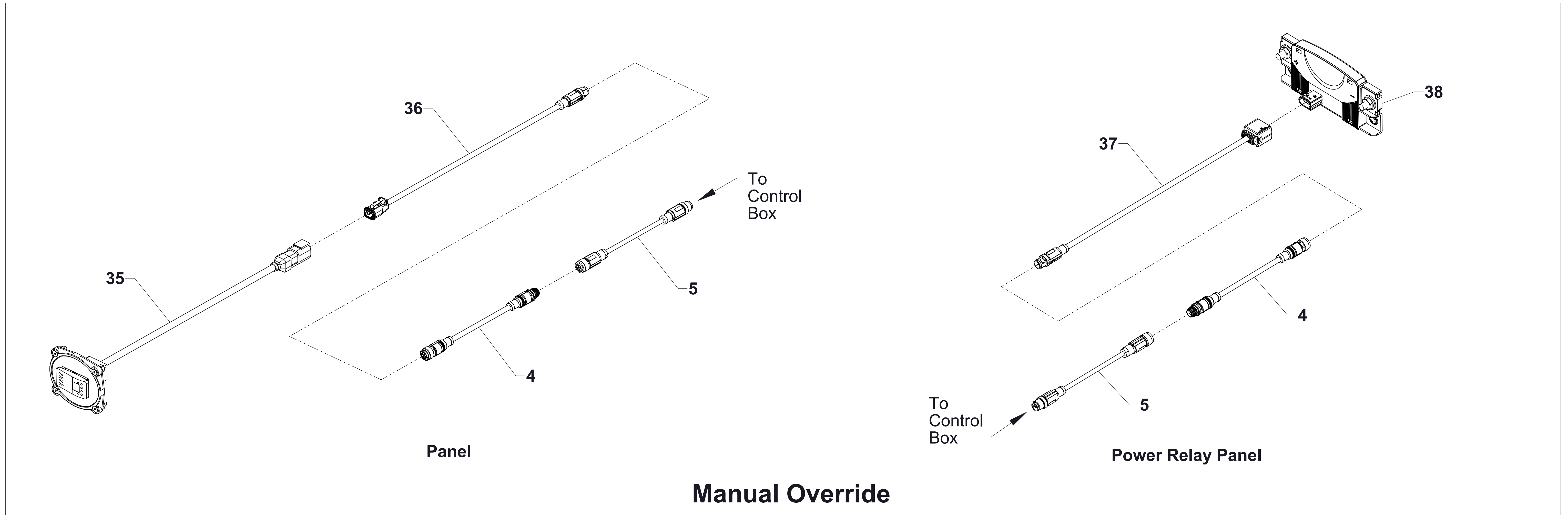
| Ref No. | Description           |
|---------|-----------------------|
| 81      | Hydraulic Motor       |
| 84      | Coupling Half         |
| 100     | Oil Filter Head       |
| 101     | Oil Filter            |
| 102     | Filter Life Indicator |
| 103     | Coupling Spider       |



**Hydraulic System**  
(Continued)

| Ref No. | Description                            |
|---------|--|
| 1       | Violet CAN Cable, .50 Meters           |
| 2       | Violet CAN Cable, 2.0 Meters           |
| 4       | Yellow or Gray Sensor Cable, .50 Meter |
| 5       | Yellow or Gray Sensor Cable, 3.0 Meter |
| 35      | Manual Override Panel                  |

| Ref No. | Description                             |
|---------|---|
| 36      | Manual Override Panel Cable             |
| 37      | Manual Override Power Relay Panel Cable |
| 38      | Power Relay Panel                       |
| 49      | Node Controller                         |



**Optional Additional I/O Node  
and  
Optional Manual Override**