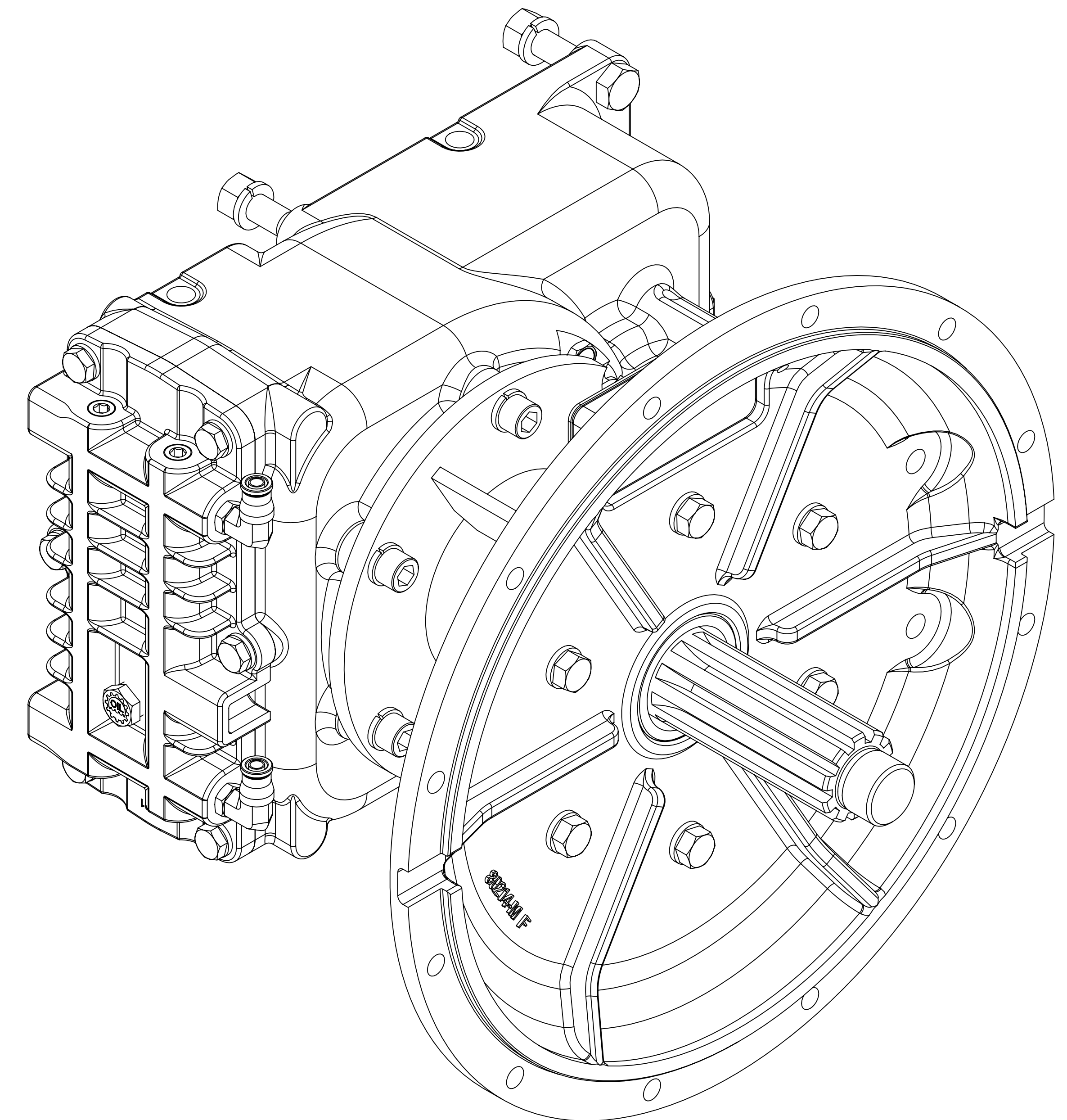


Heavy Duty T Transmission Assembly 83851

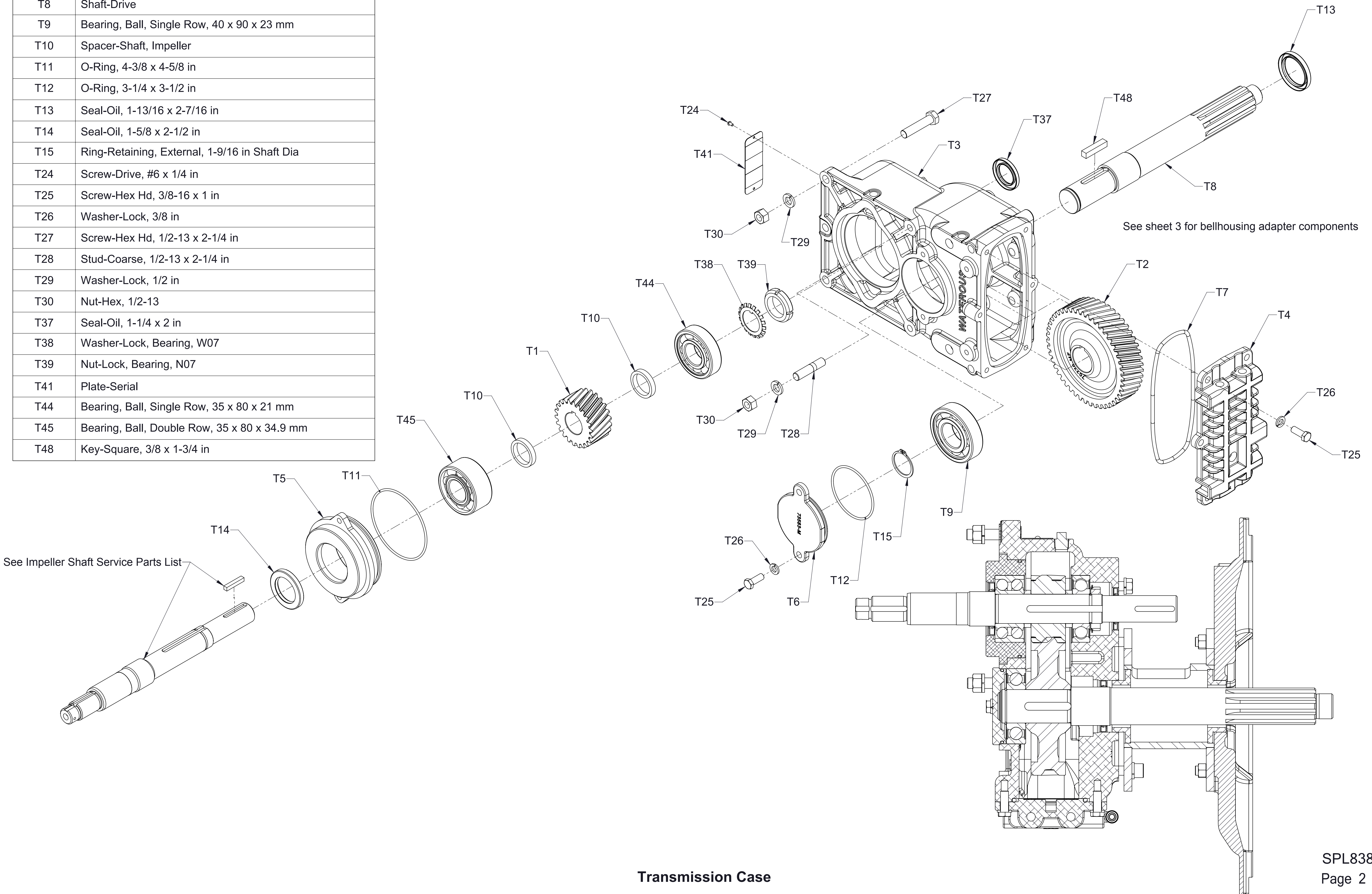
Service Parts List

This assembly is used when pump has a CAF System

Pump Model	Component	See Sheet
CXNT, CXST, CXVT	Case and Bellhousing Adapter	2, 3
	Oil Cooler Fittings	4
	Oil Level, Drain and Breather Locations	5

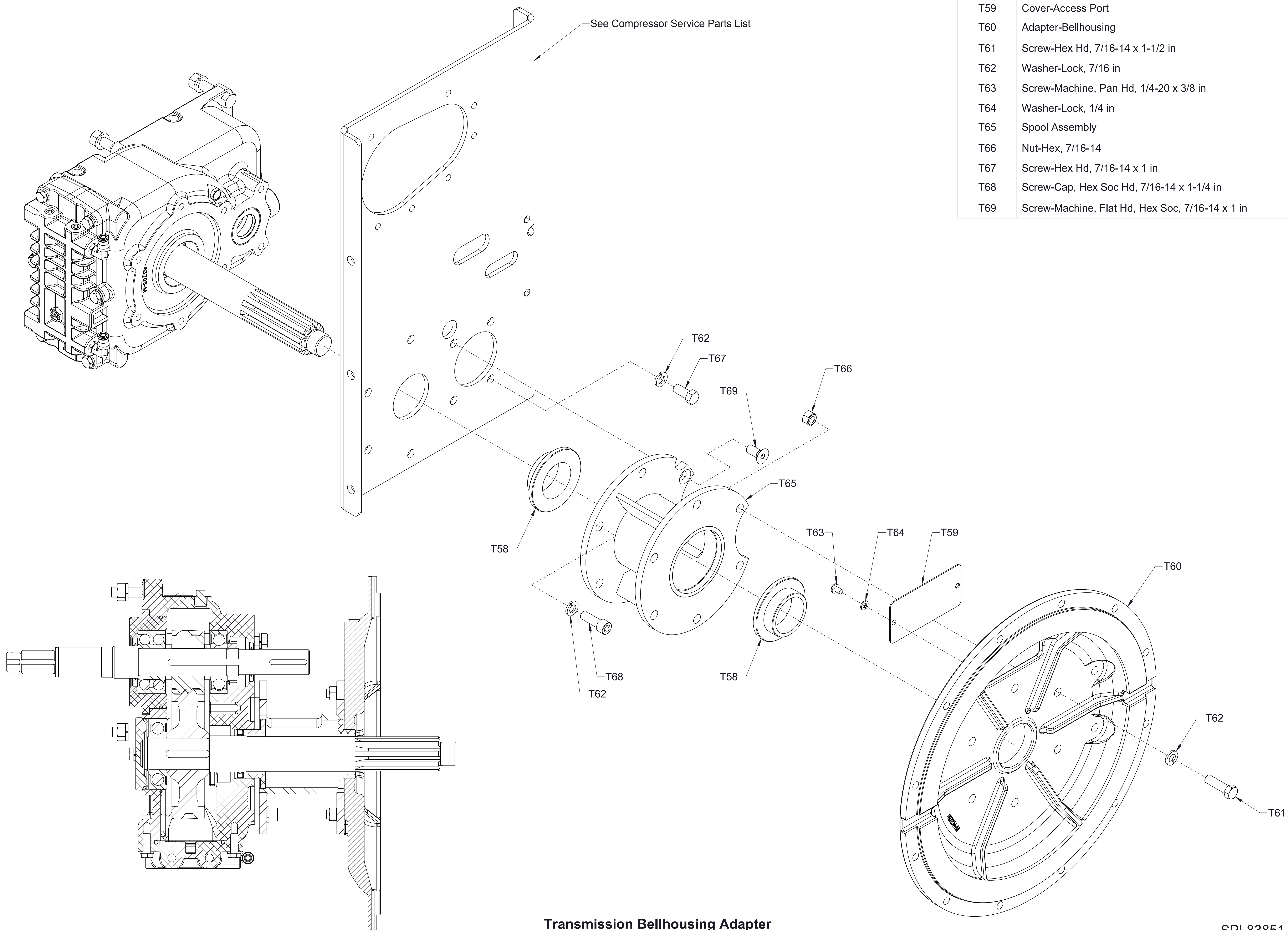


Ref No.	Description
T1	Gear-Driven
T2	Gear-Drive
T3	Case-Transmission
T4	Pan-Oil, Cooler
T5	Housing-Bearing
T6	Cover-Bearing
T7	Gasket-Molded
T8	Shaft-Drive
T9	Bearing, Ball, Single Row, 40 x 90 x 23 mm
T10	Spacer-Shaft, Impeller
T11	O-Ring, 4-3/8 x 4-5/8 in
T12	O-Ring, 3-1/4 x 3-1/2 in
T13	Seal-Oil, 1-13/16 x 2-7/16 in
T14	Seal-Oil, 1-5/8 x 2-1/2 in
T15	Ring-Retaining, External, 1-9/16 in Shaft Dia
T24	Screw-Drive, #6 x 1/4 in
T25	Screw-Hex Hd, 3/8-16 x 1 in
T26	Washer-Lock, 3/8 in
T27	Screw-Hex Hd, 1/2-13 x 2-1/4 in
T28	Stud-Coarse, 1/2-13 x 2-1/4 in
T29	Washer-Lock, 1/2 in
T30	Nut-Hex, 1/2-13
T37	Seal-Oil, 1-1/4 x 2 in
T38	Washer-Lock, Bearing, W07
T39	Nut-Lock, Bearing, N07
T41	Plate-Serial
T44	Bearing, Ball, Single Row, 35 x 80 x 21 mm
T45	Bearing, Ball, Double Row, 35 x 80 x 34.9 mm
T48	Key-Square, 3/8 x 1-3/4 in



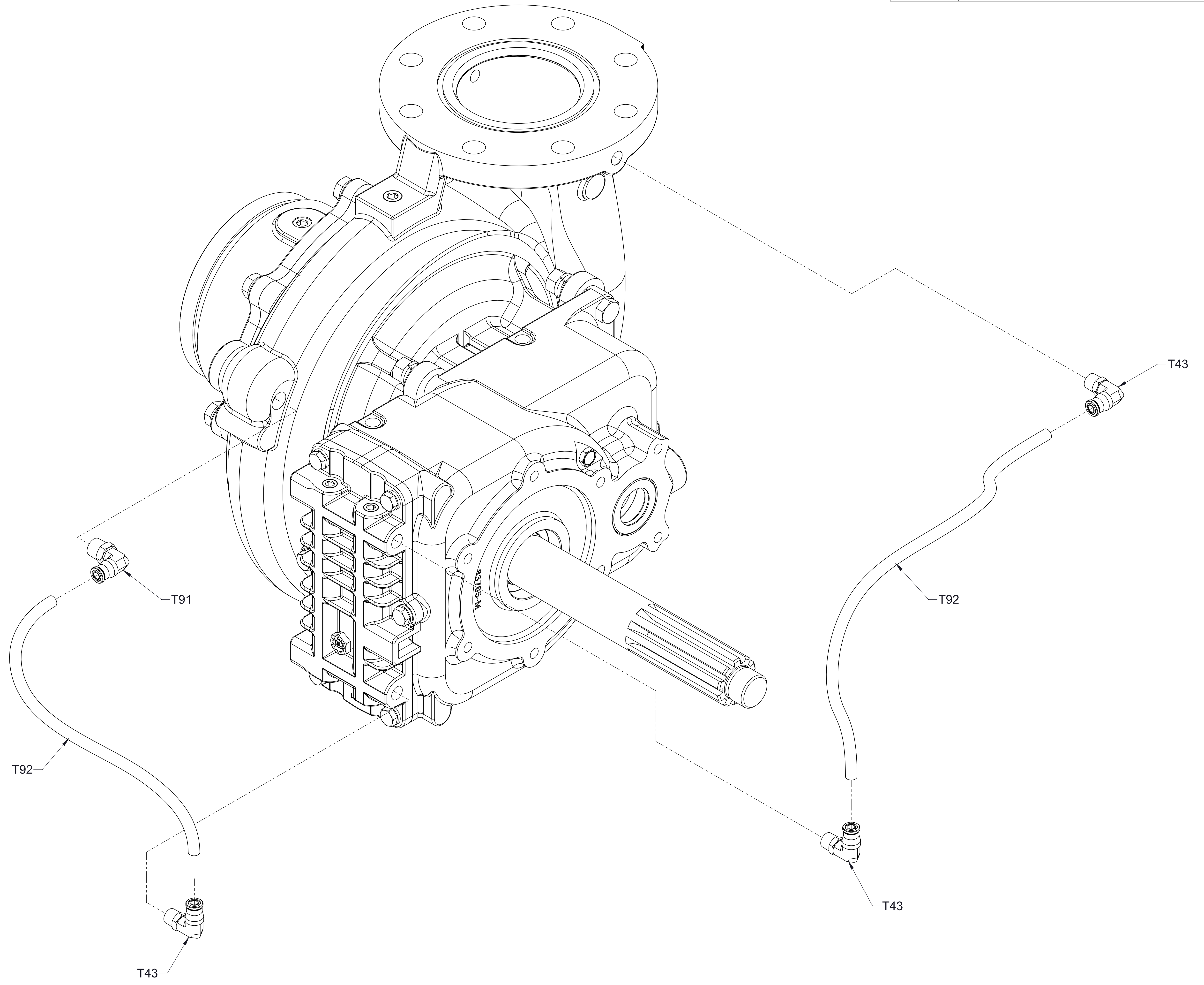
Transmission Case

Ref No.	Description
T58	Sleeve-Alignment
T59	Cover-Access Port
T60	Adapter-Bellhousing
T61	Screw-Hex Hd, 7/16-14 x 1-1/2 in
T62	Washer-Lock, 7/16 in
T63	Screw-Machine, Pan Hd, 1/4-20 x 3/8 in
T64	Washer-Lock, 1/4 in
T65	Spool Assembly
T66	Nut-Hex, 7/16-14
T67	Screw-Hex Hd, 7/16-14 x 1 in
T68	Screw-Cap, Hex Soc Hd, 7/16-14 x 1-1/4 in
T69	Screw-Machine, Flat Hd, Hex Soc, 7/16-14 x 1 in

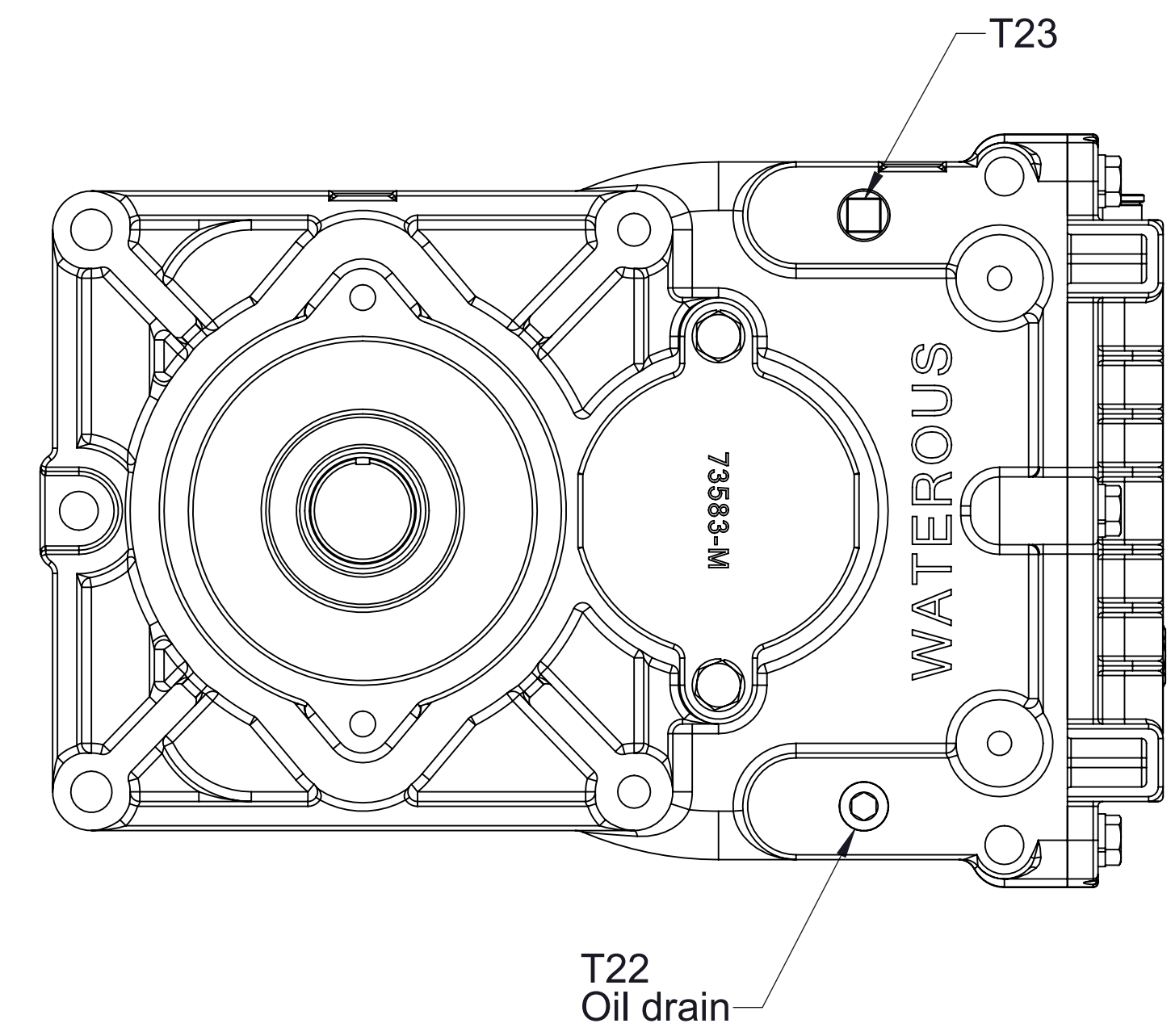
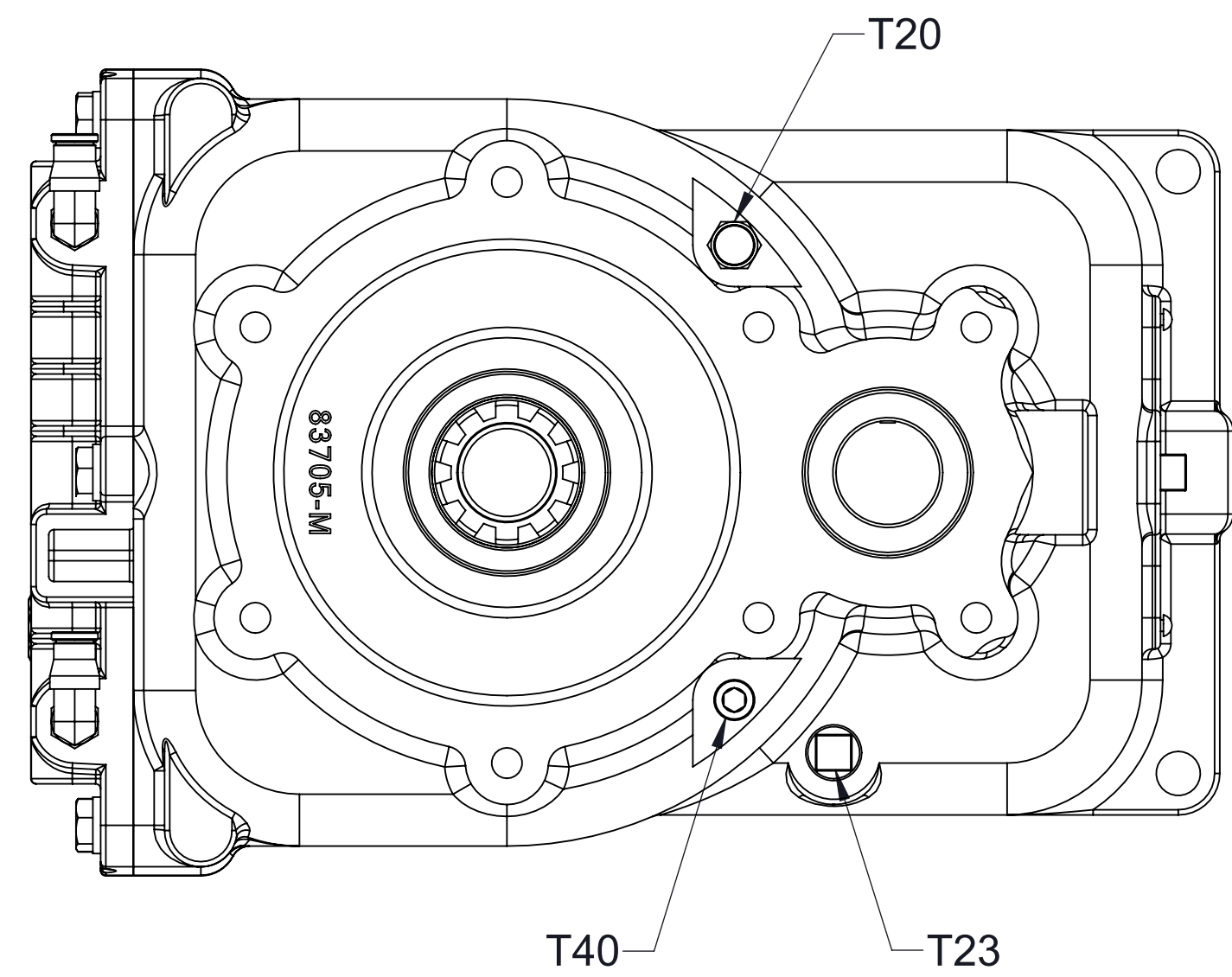


Transmission Bellhousing Adapter

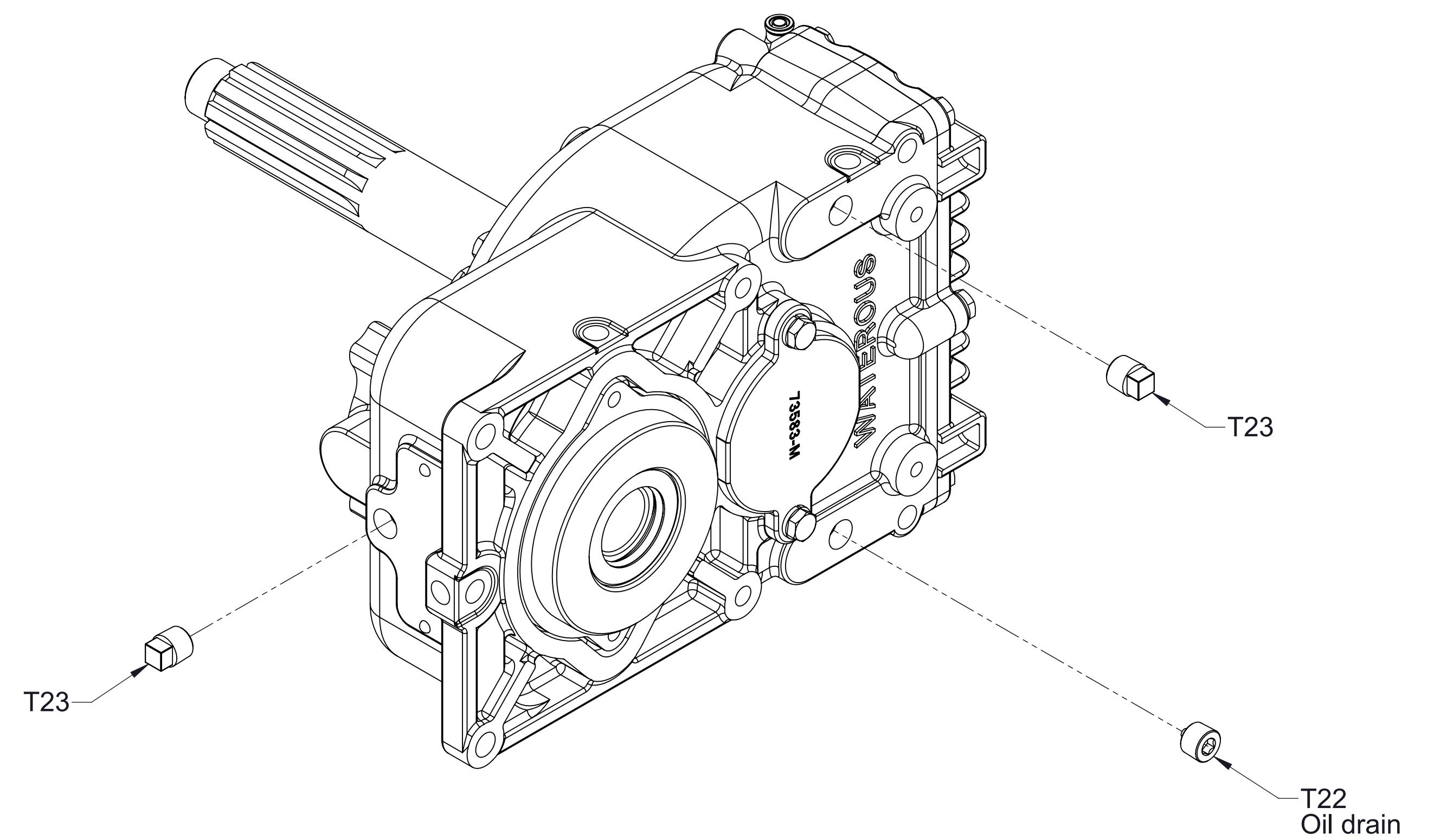
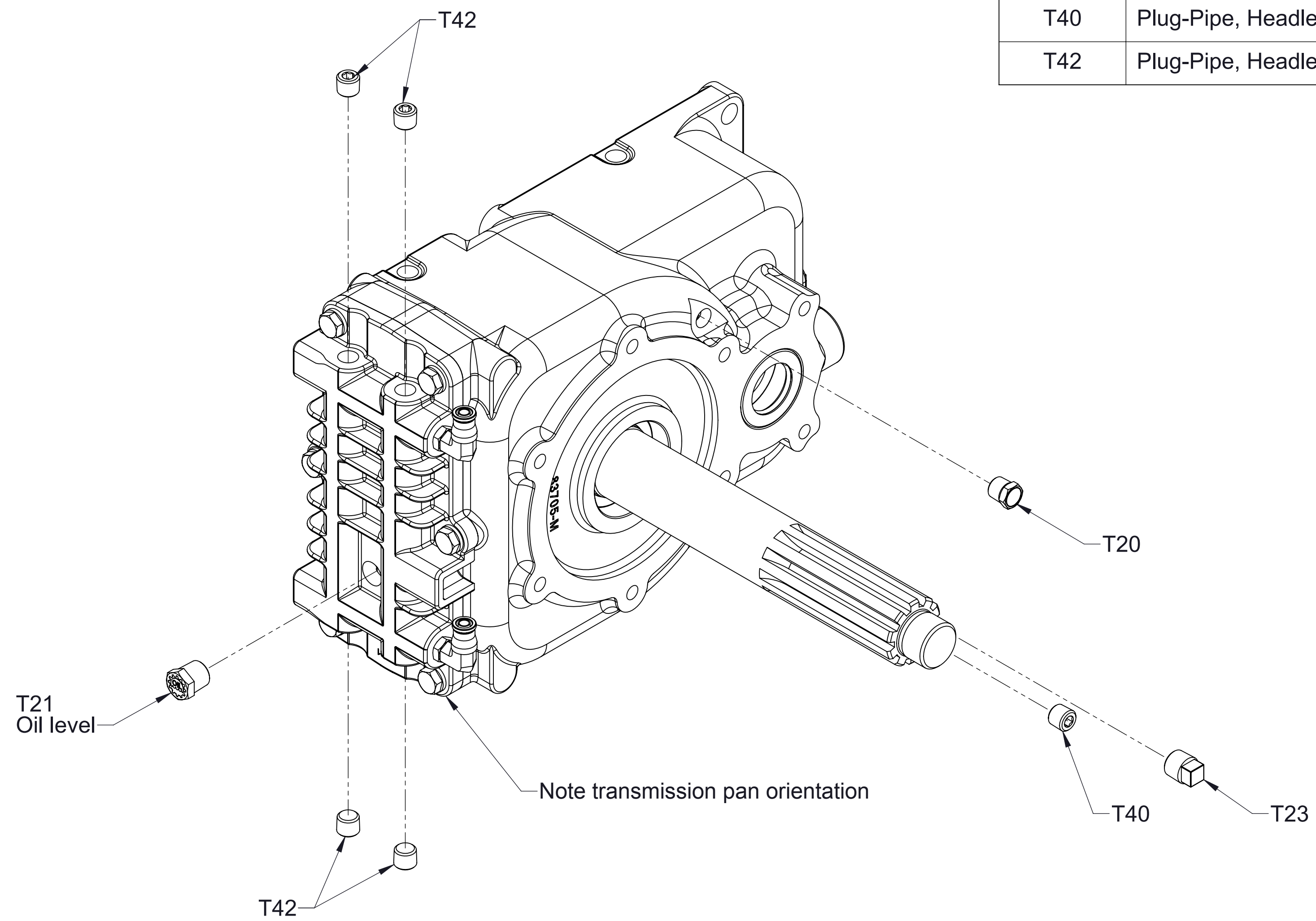
Ref No.	Description
T43	Fitting-Elbow, 3/8 PTC x 1/4 MNPT, 90°
T91	Fitting-Elbow, 3/8 PTC X 3/8 MNPT, 90°
T92	Tube-Air Brake, 3/8, Green



Oil Cooler Lines and Fittings



Ref No.	Description
T20	Breather, 1/4 NPT
T21	Plug-Level, Oil, 3/8
T22	Plug-Drain, Magnetic, 3/8, Headless
T23	Plug-Pipe, Square Hd, 3/8 NPT
T40	Plug-Pipe, Headless, 1/4 NPT
T42	Plug-Pipe, Headless, 1/4 NPT



Oil Level, Drain and Breather Locations