

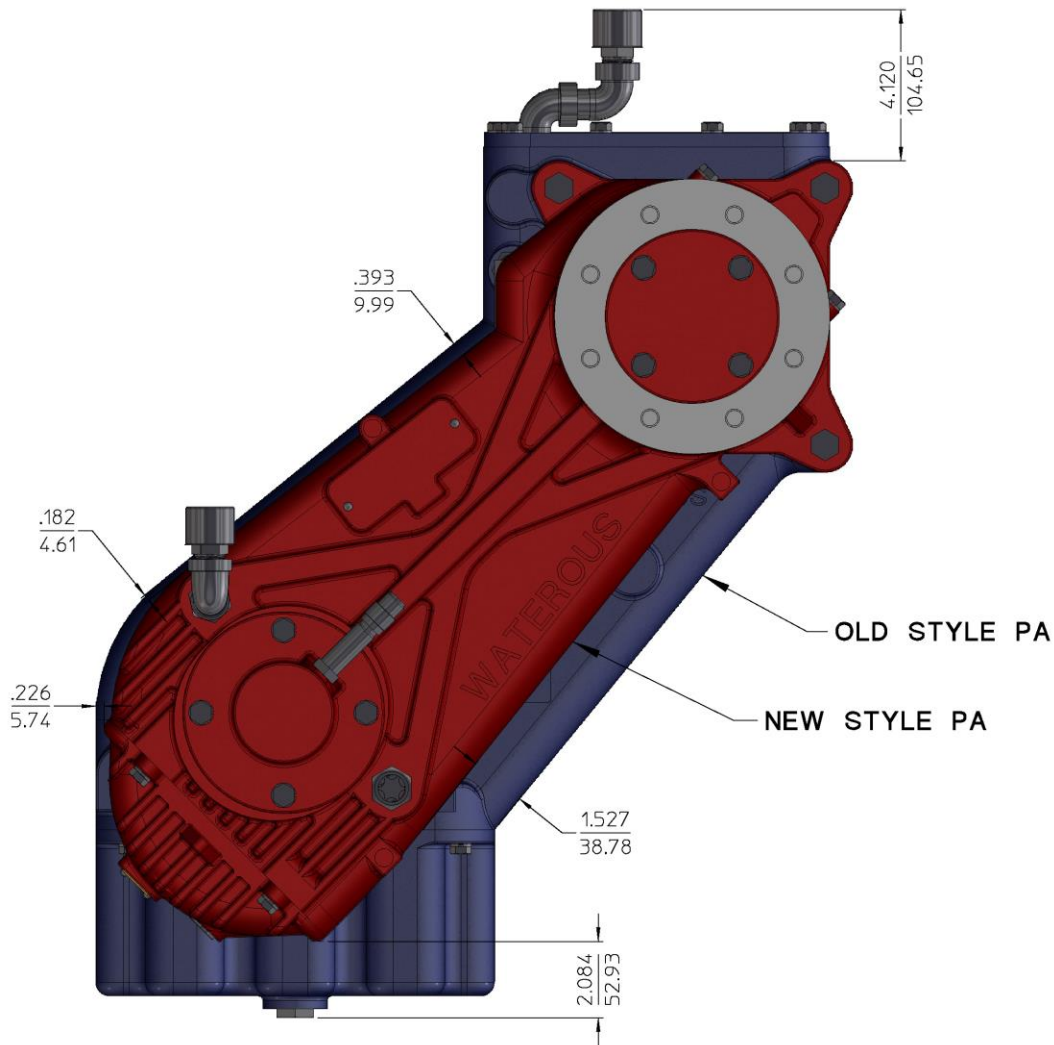
TECHNICAL BULLETIN No. 0116	PA Transmission
--	------------------------

Available Immediately

PA Series Chain Drive Transmission

The PA Transmission is designed to drive Waterous midship pumps off the ten bolt, power take-offs (PTO) available on the left side of an Allison 3000 or 4000 series automatic transmission. With a modification in design, the PA Transmission can now be incorporated into additional applications. Image below shows the difference in size of the new style PA Transmission versus the old style PA design and the change in bolt hole pattern on the rear of driven shaft.

NOTE: PA Transmission available ratios: 1.71, 1.91 and 2.10 (new). Ratio 2.05 has been discontinued.



NOTE: The information in this technical bulletin was current at the time of printing. Waterous reserves the right to change this information.