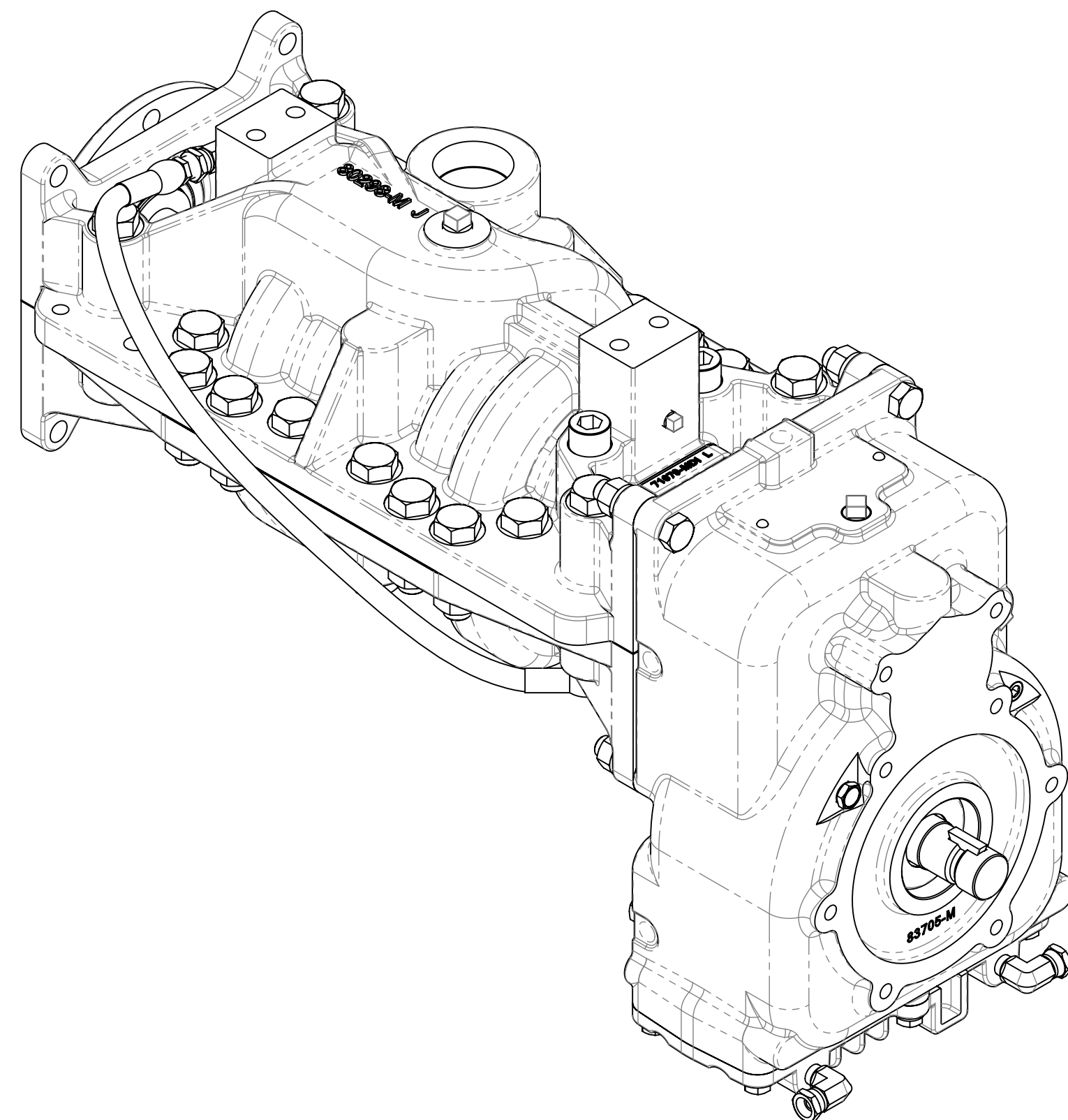


## Dimensional Drawings for CP-4 Series Fire Pumps

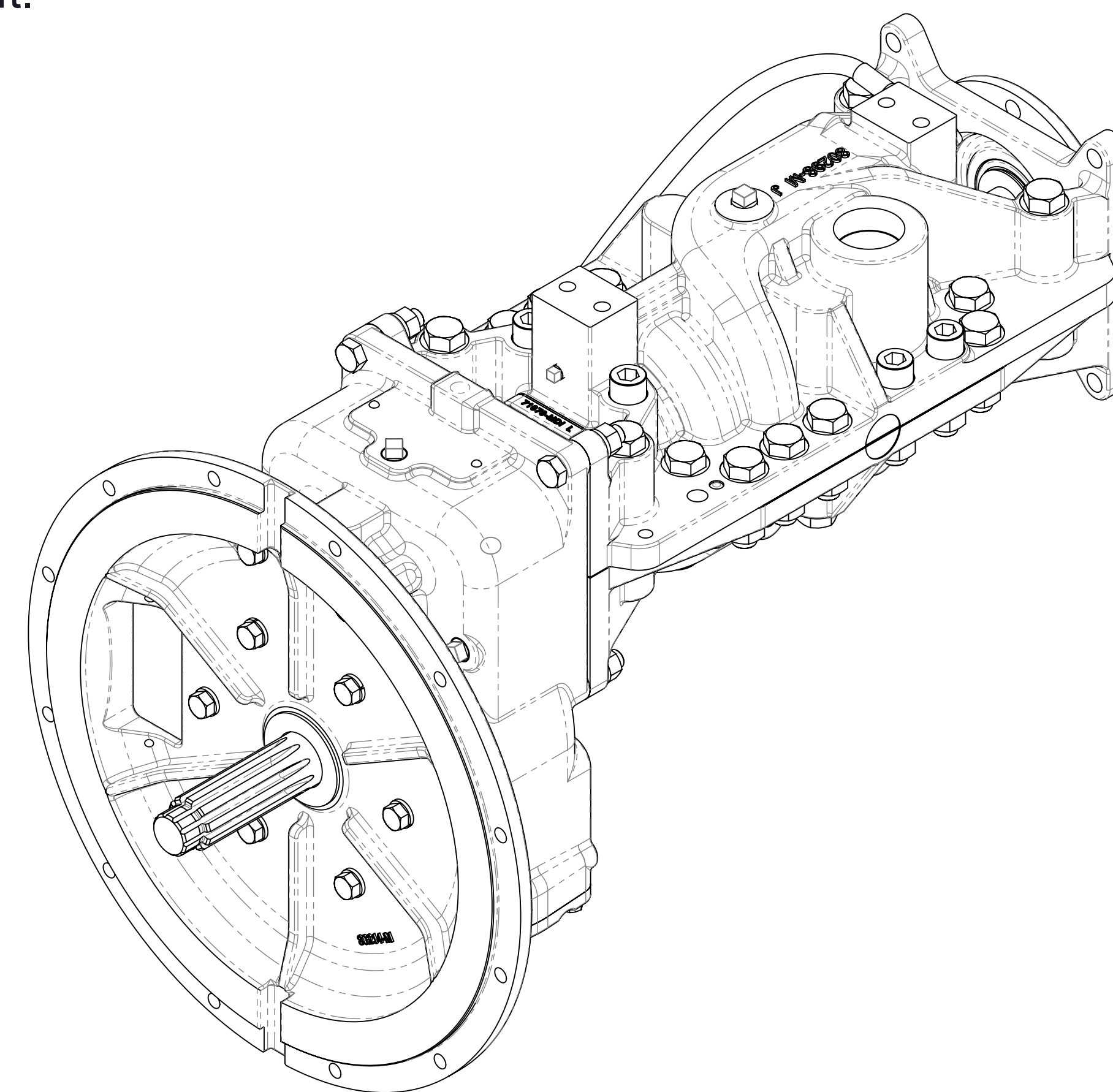
Pump Series	Drive		Pump Model	See Page			
	Transmission Models	Input Rotation (1)		Basic Pump Dimensions	Pump and Transmission Dimensions	Pump Discharge Positions	Transmission Mounting Positions
CP-4	Medium Duty K	CW	CPK-4	2	3	5	6
	Medium Duty K With Hydraulic Input	CW	CPK-4	2	3		
	Medium Duty T	CW	CPT-4	2	4		

**Note:**

1. Input rotation is viewed looking directly at the transmission input shaft.

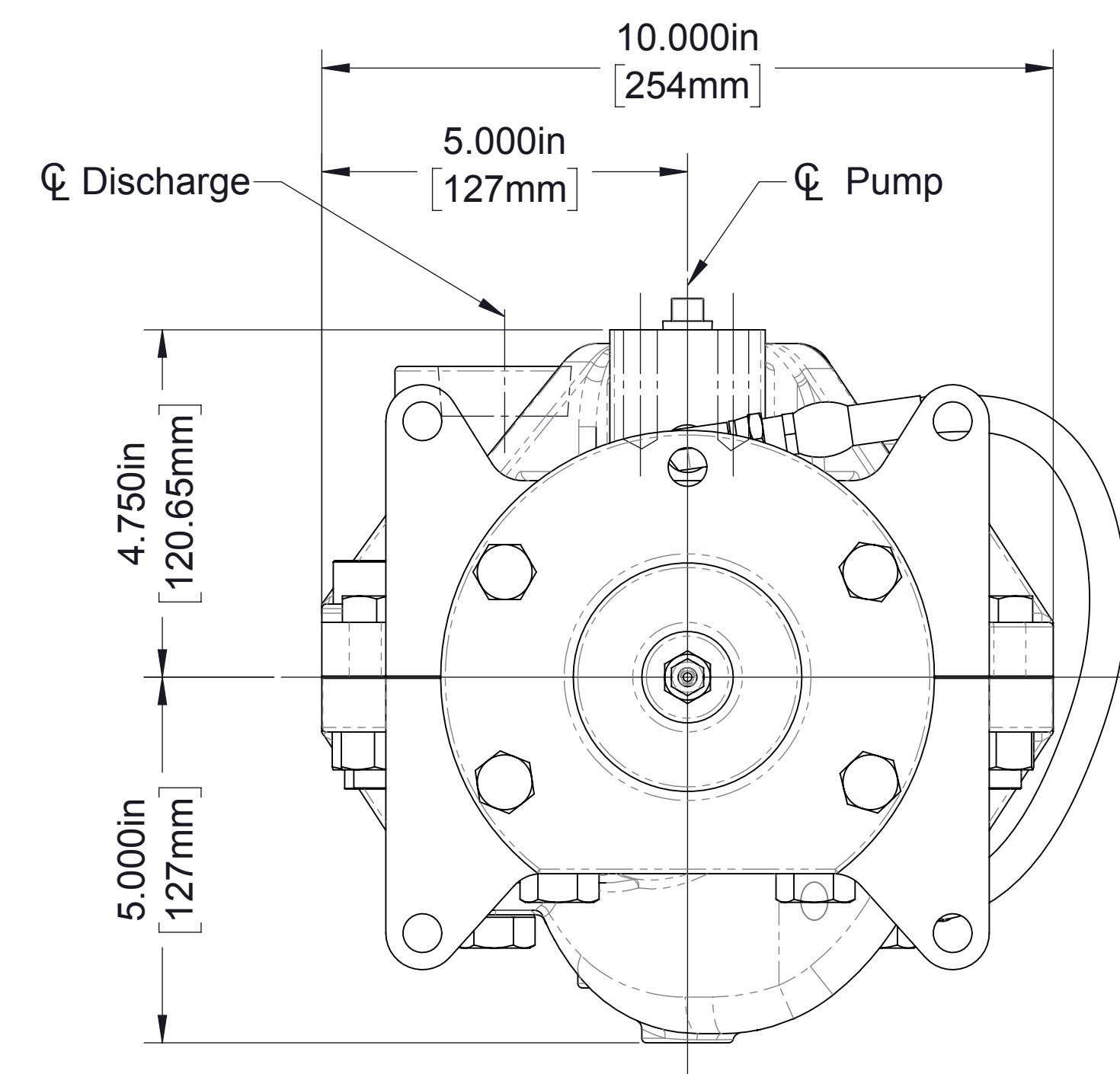
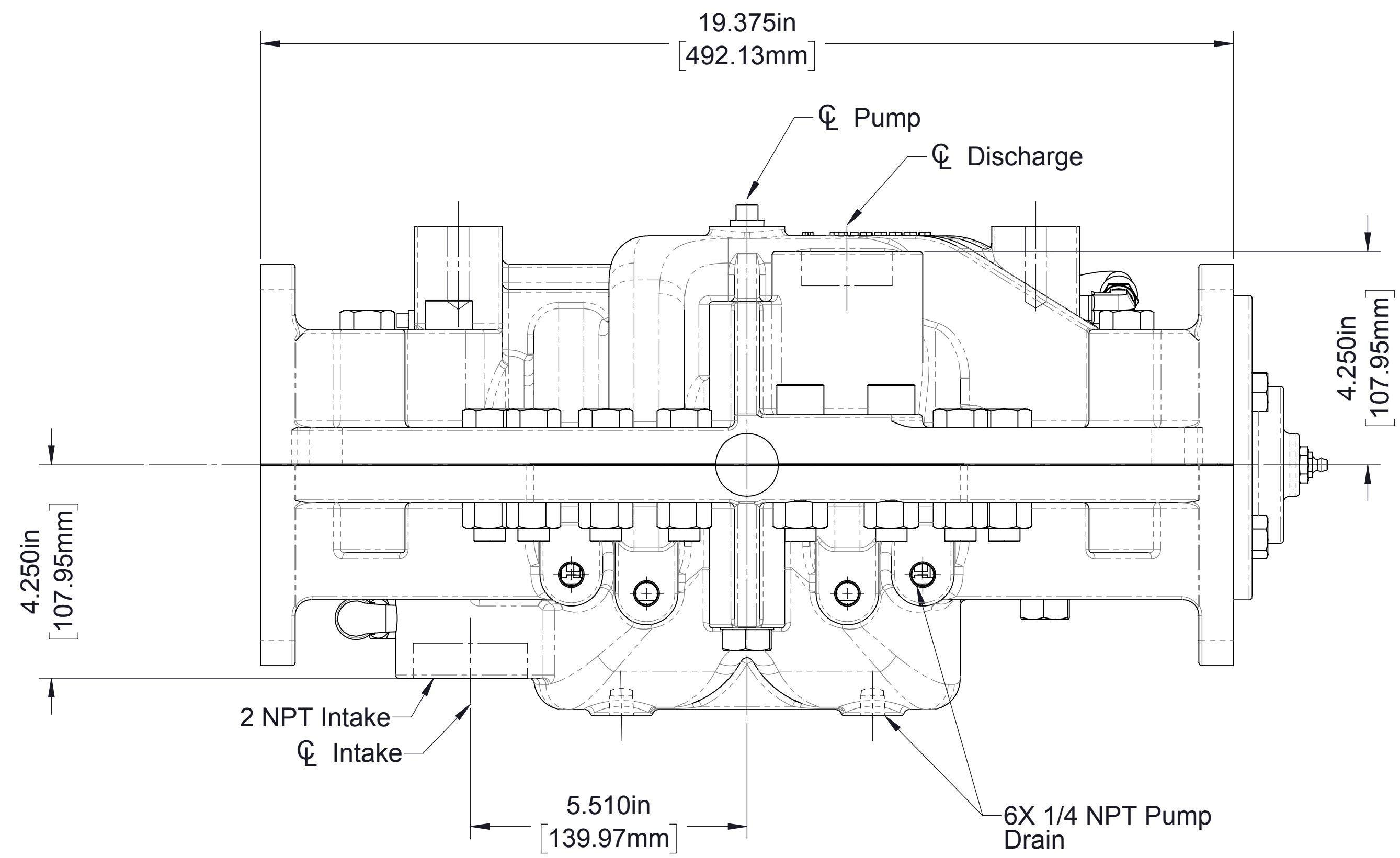
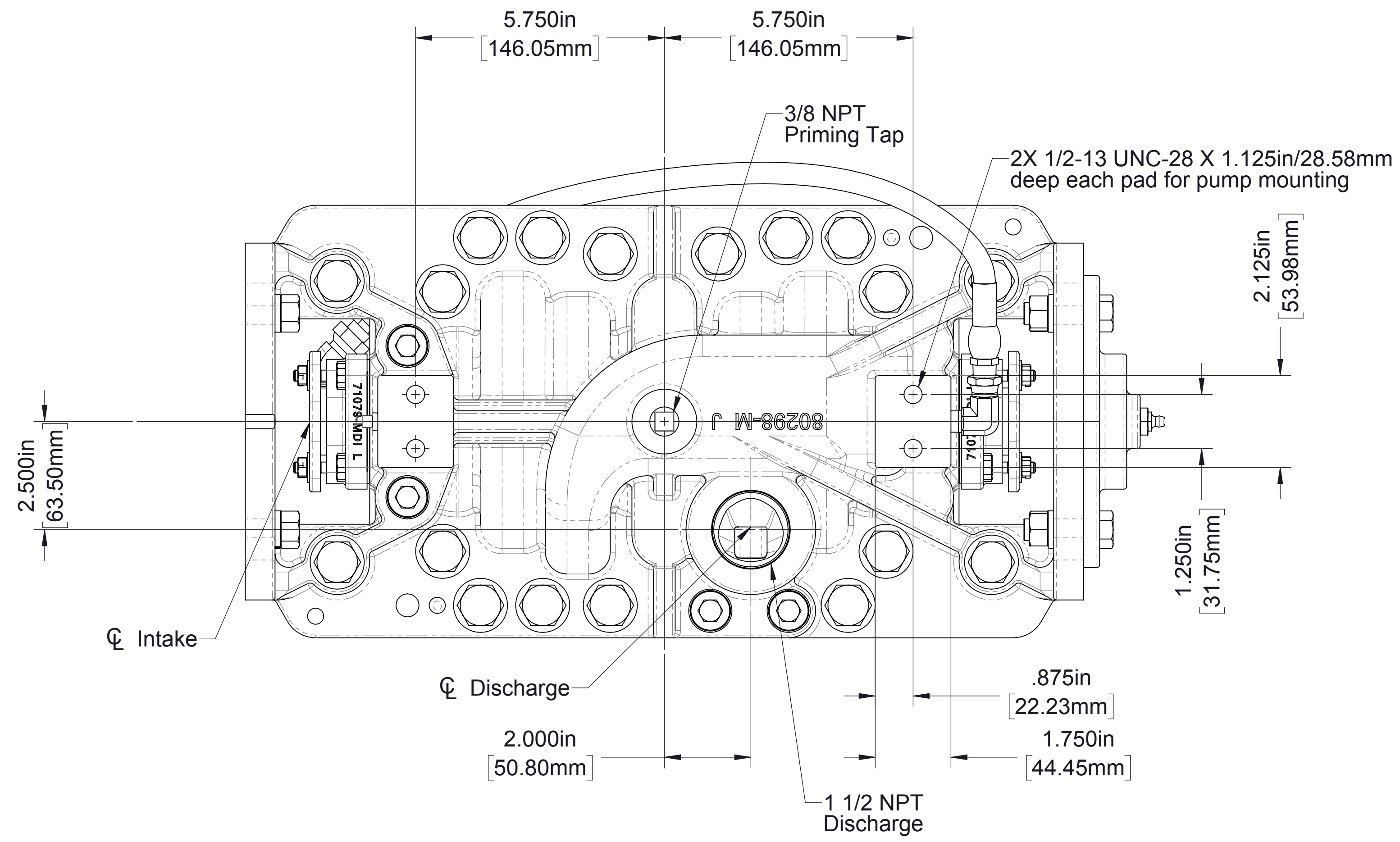


CPK-4

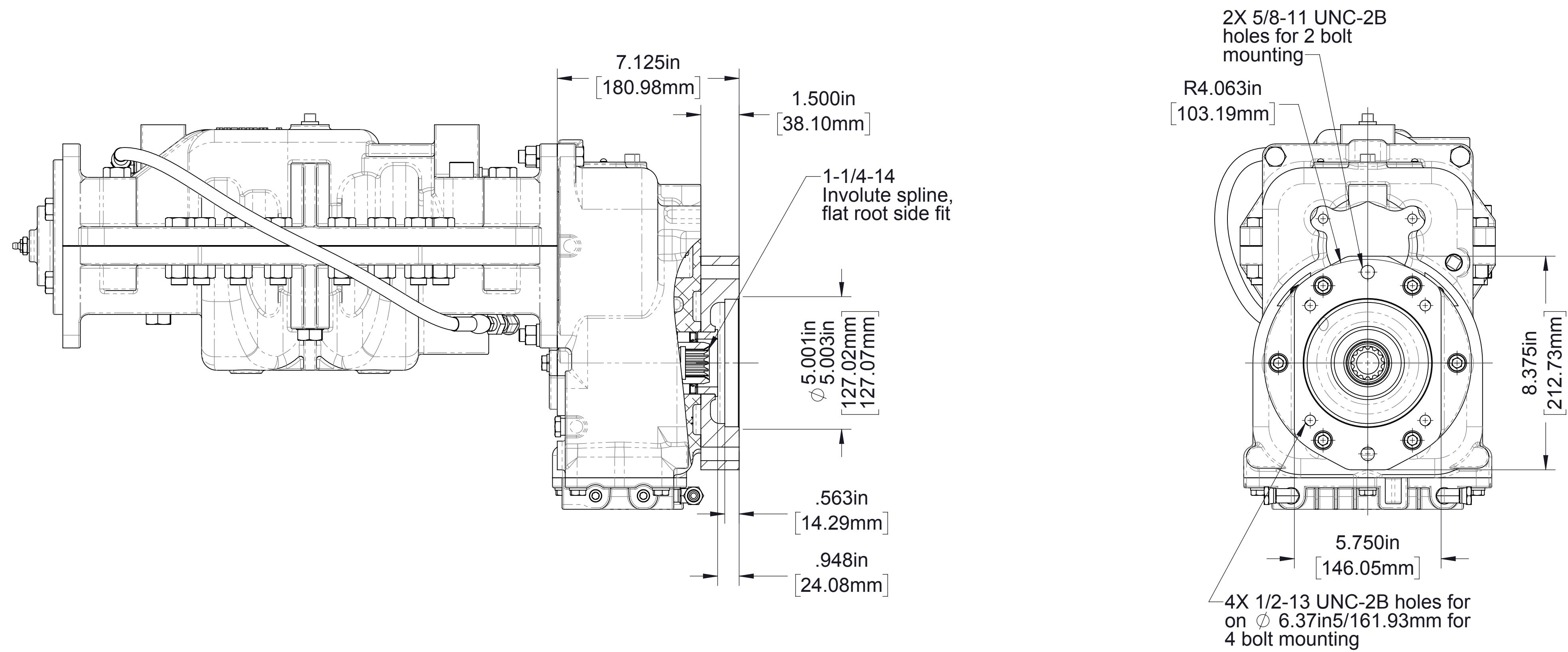


CPT-4

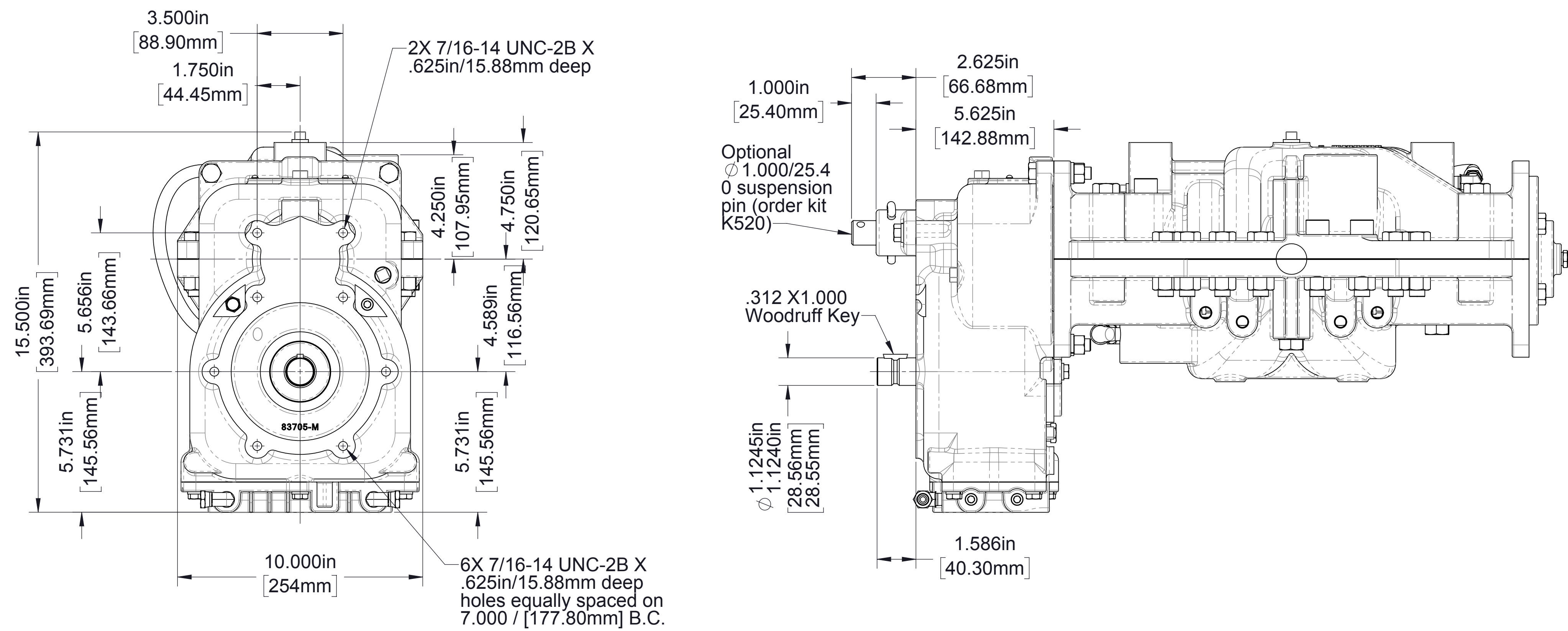
**Note:** Pump must be installed in accordance with Waterous installation instructions.



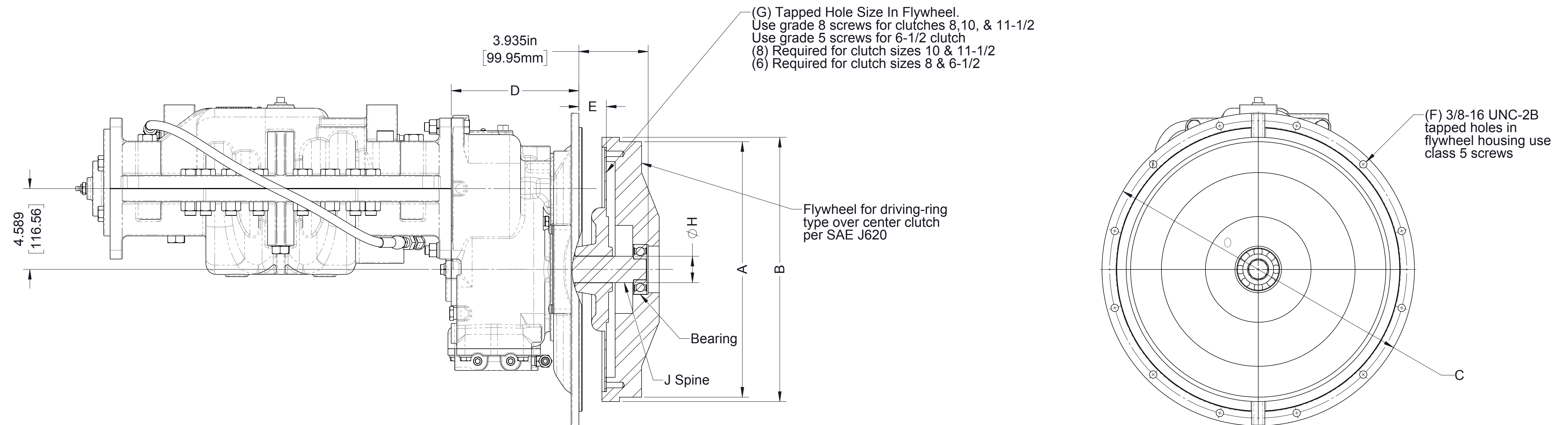
**CP-4 Body Dimensions**  
 See Page 5 For Available Intake and Discharge Positions



Optional SAE Class "C" 2 or 4 Bolt Hydraulic Pump  
 Flange Input For Medium Duty K Transmission



Model CPK-4  
 Medium Duty K Transmission  
 (Two gear without clutch)  
 (Vertical mounting shown)



Size	SAE Bellhousing				D	SAE Flywheel			Drive Plate		Drive Shaft	
	A	B	C	F		Clutch Number	E	G	Part Number	Torque Rating	H	J
3	16.125 in 409.58 mm	17.750 in 450.85 mm	16.875 in 428.63 mm	12	7.250 in 184.15 mm	10	2.12 in 53.85 mm	3/8-16	V2272	850 FT-LB	∅1.1805/1.1800 in 29.98/29.97 mm	1-1/2-10 S.A.E.
4	14.250 in 361.95 mm	15.875 in 403.23 mm	15.000 in 381.00 mm									
3	16.125 in 409.58 mm	17.750 in 450.85 mm	16.875 in 428.63 mm			8	6-1/2		1.56 in 39.62 mm	5/16-18		
4	14.250 in 361.95 mm	15.875 in 403.23 mm	15.000 in 381.00 mm	V2852	N/A							
5	12.375 in 314.33 mm	14.000 in 355.60 mm	13.125 in 333.38 mm	8	6.250 in 158.75 mm	1.19 in 30.23 mm	5/16-18	V2865	N/A	∅.7868/.7858 in 19.98/19.96 mm	1-15T Involute	

**Model CPT-4**  
**Medium Duty T Transmission**  
 (Two gear without clutch)  
 (Vertical mounting shown)

## Available Intake And Discharge Positions

	<b>Discharge Position</b>			
	<b>Up</b>	<b>Down</b>	<b>Right</b>	<b>Left</b>
	Available with vertical or inverted transmission mounting positions only	Available with vertical or inverted transmission mounting only	Available with left or right transmission mounting only	Available with left or right transmission mounting only
	Allows for full pump draining	Only available if pump does not require draining		
<b>Clockwise drive shaft rotation (Input) (Viewed looking at transmission input shaft)</b>	