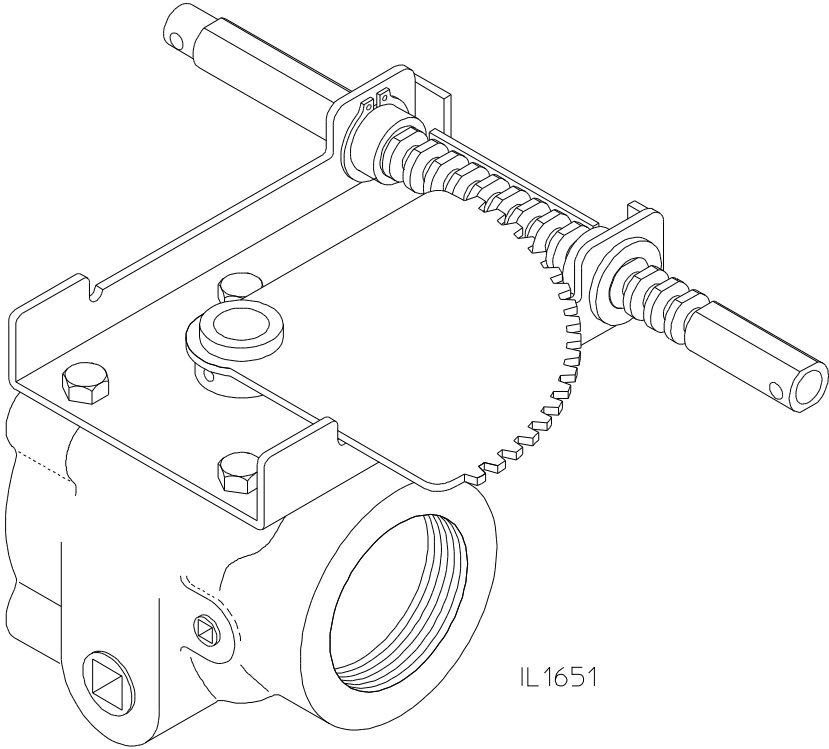
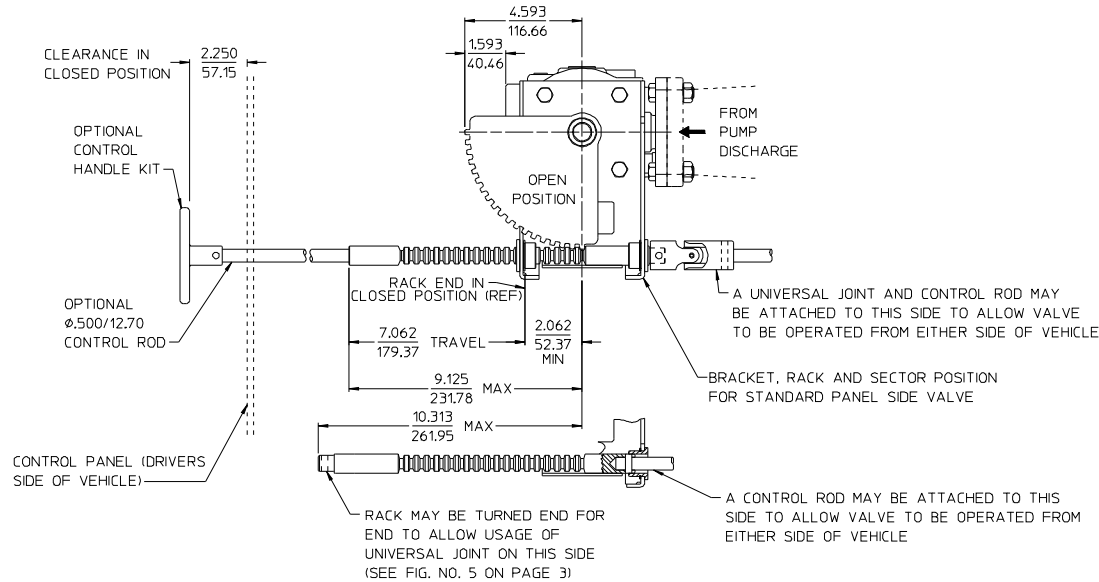


Dimensional Drawings for 2-1/2" Full Flow Push-Pull Discharge Valve Valve Part No. 80824

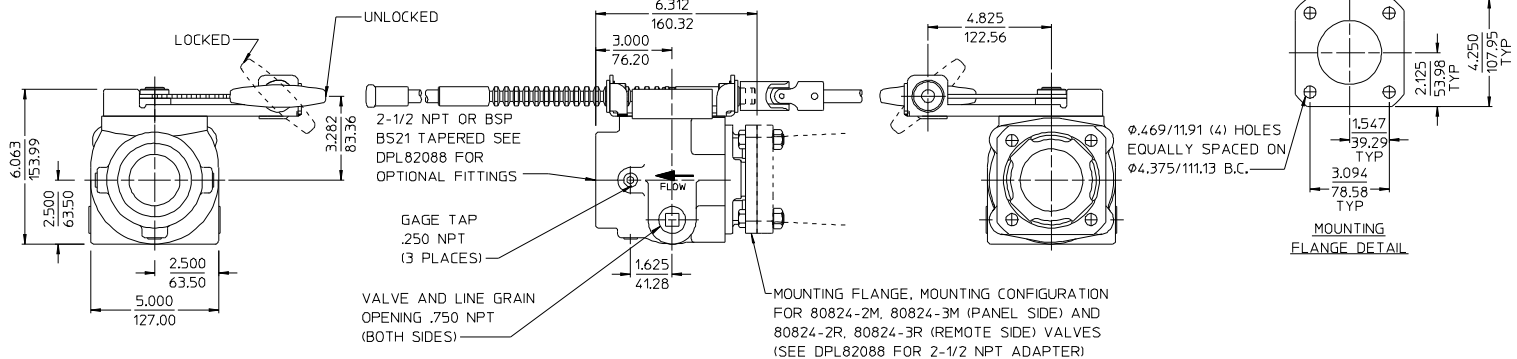
Index:

Feature		See Page
Mounting	Panel Side	1
	Remote Side	2
Available Operating Rod and Sector Positions		3





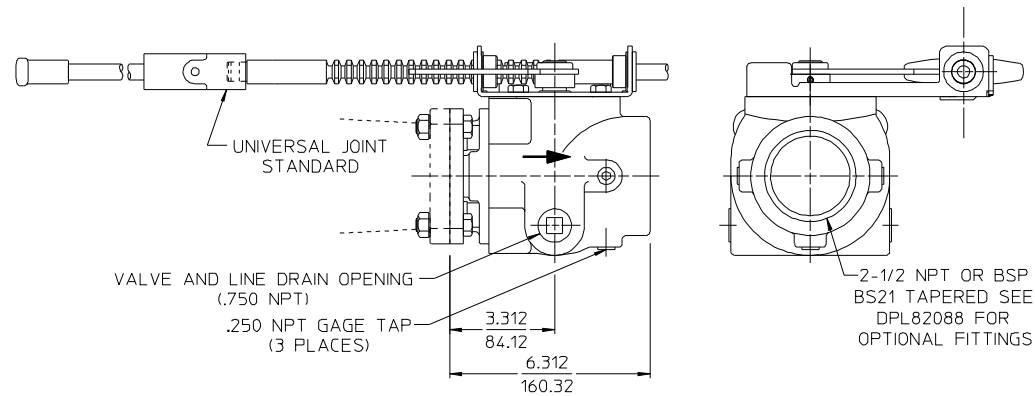
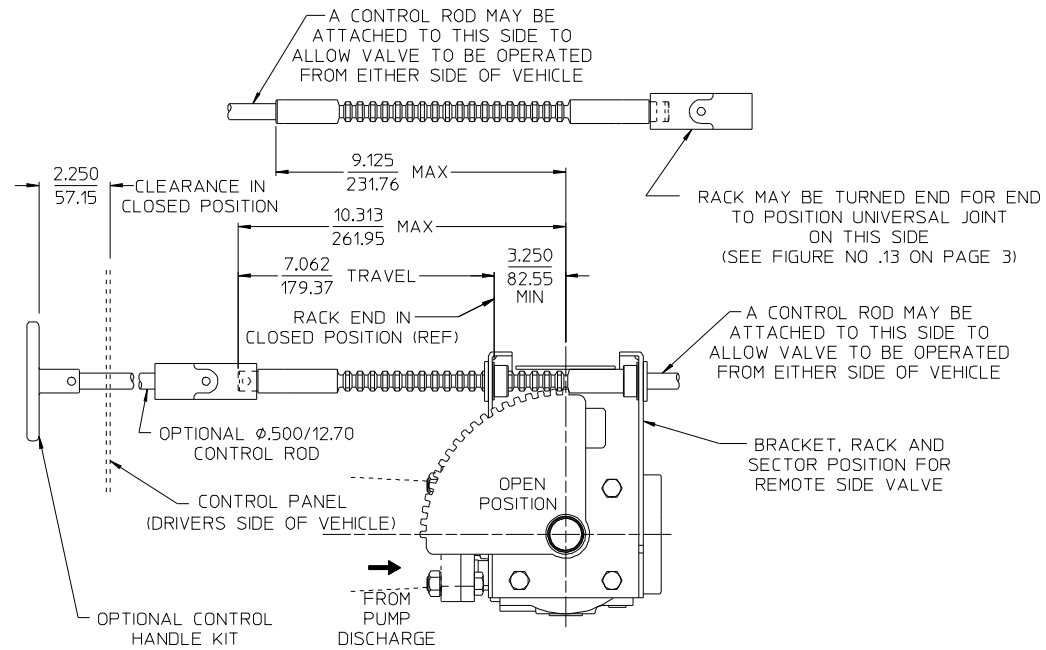
- NOTES:
- WHEN ORDERING SUPPLY THE FOLLOWING INFORMATION:
1. VALVE PART NUMBER 80824
 2. SUFFIXES WHICH INDICATE VALVE MOUNTING AND POSITION OF OPERATING ROD AND SECTOR:
80824-2M (1)
OPERATING ROD AND SECTOR POSITION. FIGURE NO'S 1 THRU 16 AVAILABLE FOR ALL MOUNTINGS. SEE PAGE 3.
 3. MATERIAL: IRON ONLY AVAILABLE.
 4. OPTIONAL ITEMS REQUIRED SUCH AS CONTROL PLATE KIT, CONTROL HANDLE KIT, CONTROL ROD, DISCHARGE ADAPTERS, PIPE NIPPLES. SEE DRAWING DPL82499 FOR THESE ITEMS.
 5. MOUNTING LOCATION OF EACH VALVE ORDERED.
 6. IF OPERATING ROD AND SECTOR FIGURE NUMBER IS NOT SPECIFIED, WATEROUS COMPANY WILL FURNISH STANDARD POSITION FIGURES AS FOLLOWS:
80824-2M (1) (FIGURE NO .1)
80824-2R (1) (FIGURE NO .9)
80824-3M (1) (FIGURE NO .1)
80824-3R (1) (FIGURE NO .9)



ALL DIMENSIONS SHOWN AS INCH/MILLIMETER

(INCH / MILLIMETER)

80824-2M, 80824-3M PANEL SIDE MOUNTING
STANDARD OPERATING ROD AND SECTOR FIGURE NO .1 SHOWN FOR FIELD CONVERSION THE POSITION OF THE OPERATING ROD AND SECTOR CAN BE CHANGED TO ANY FIGURE NUMBER SHOWN ON PAGE 3.

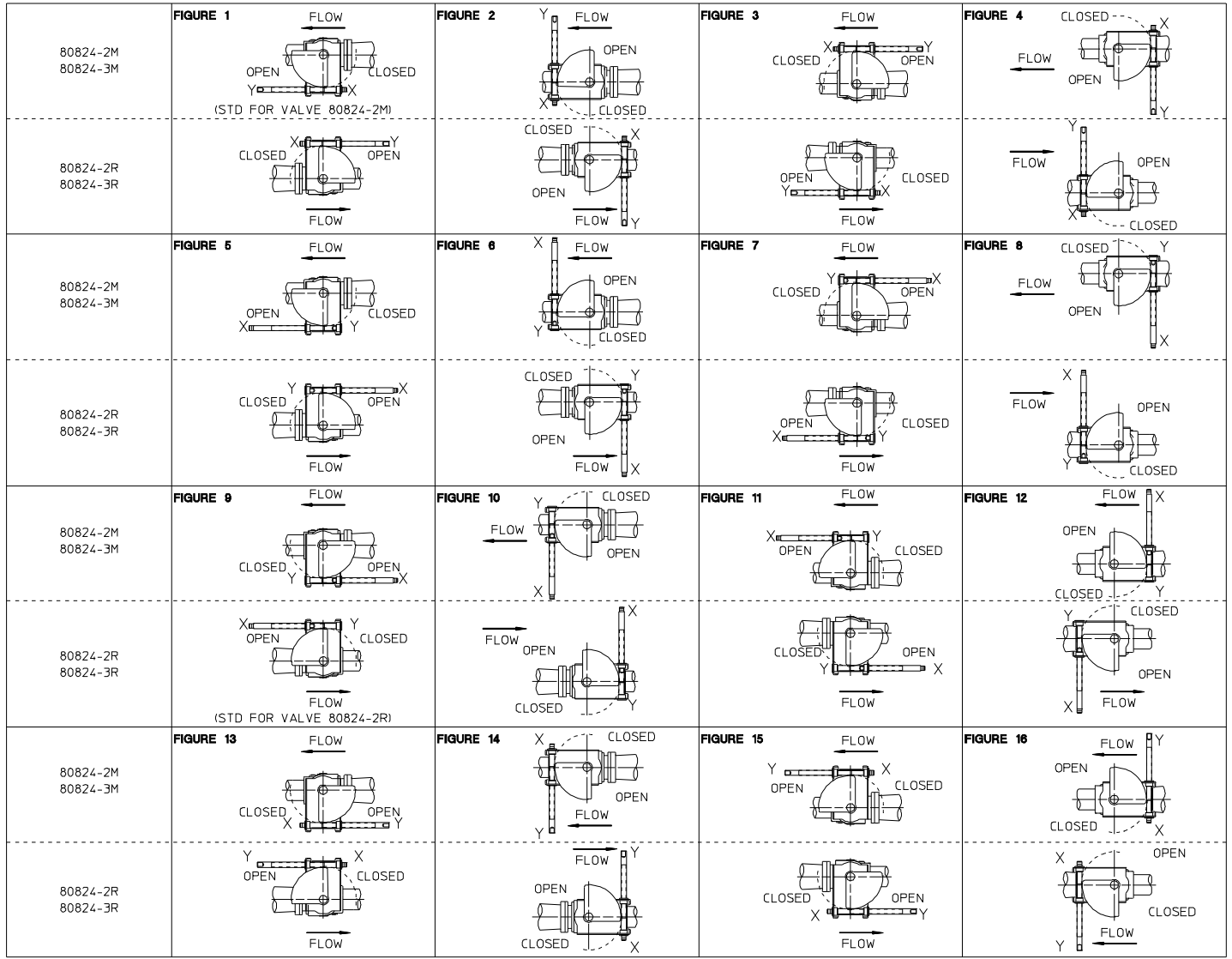


ALL DIMENSIONS SHOWN AS INCH/MILLIMETER

($\frac{\text{INCH}}{\text{MILLIMETER}}$)

**80824-2R, 80824-3R
REMOTE SIDE MOUNTING**

STANDARD OPERATING ROD AND SECTOR FIGURE NO. 9 SHOWN FOR FIELD CONVERSION. THE BRACKET CAN BE CHANGED TO ANY ONE OF THE POSITIONS SHOWN ON PAGE 3.



KEY
 Y INDICATES A ϕ 500/12.70 HOLE
 FOR RIGID ROD CONNECTIONS.
 X INDICATES PROVISION FOR
 UNIVERSAL JOINT CONNECTION.

ALL 80824-2R, 80824-3R (REMOTE)
 VALVES ARE FURNISHED WITH A
 UNIVERSAL JOINT ON "X" END. BUILDER
 MUST SUPPLY UNIVERSAL JOINT
 FOR 80824-2M AND 80824-3M
 (PANEL) VALVES IF INSTALLATION
 REQUIRES IT.

ALL DIMENSIONS SHOWN
 AS INCH/MILLIMETER
 ($\frac{\text{INCH}}{\text{MILLIMETER}}$)