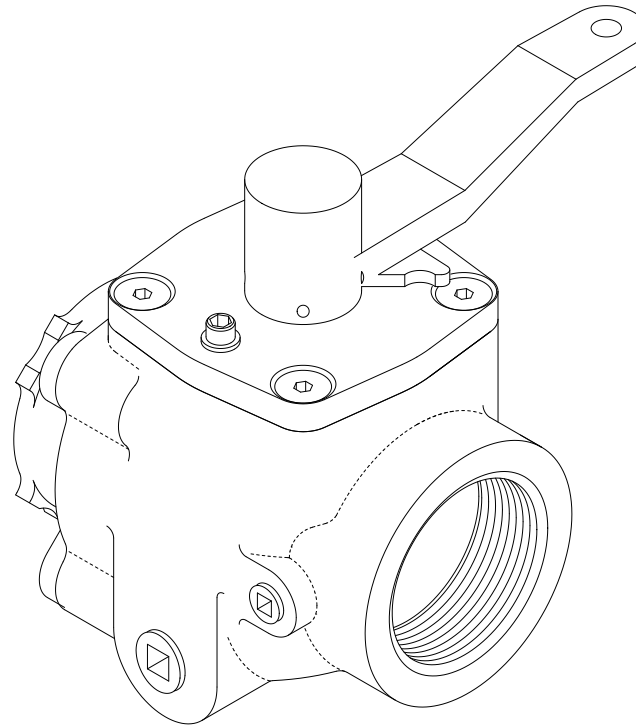


Dimensional Drawing for 2-1/2" Full Flow Remote Locking Discharge Valve (80825)

Feature	See Page
2-1/2 Full Flow Remote Locking Discharge Valve	2
Ordering Information	2
Mounting Positions	3



PL80825

NOTES:

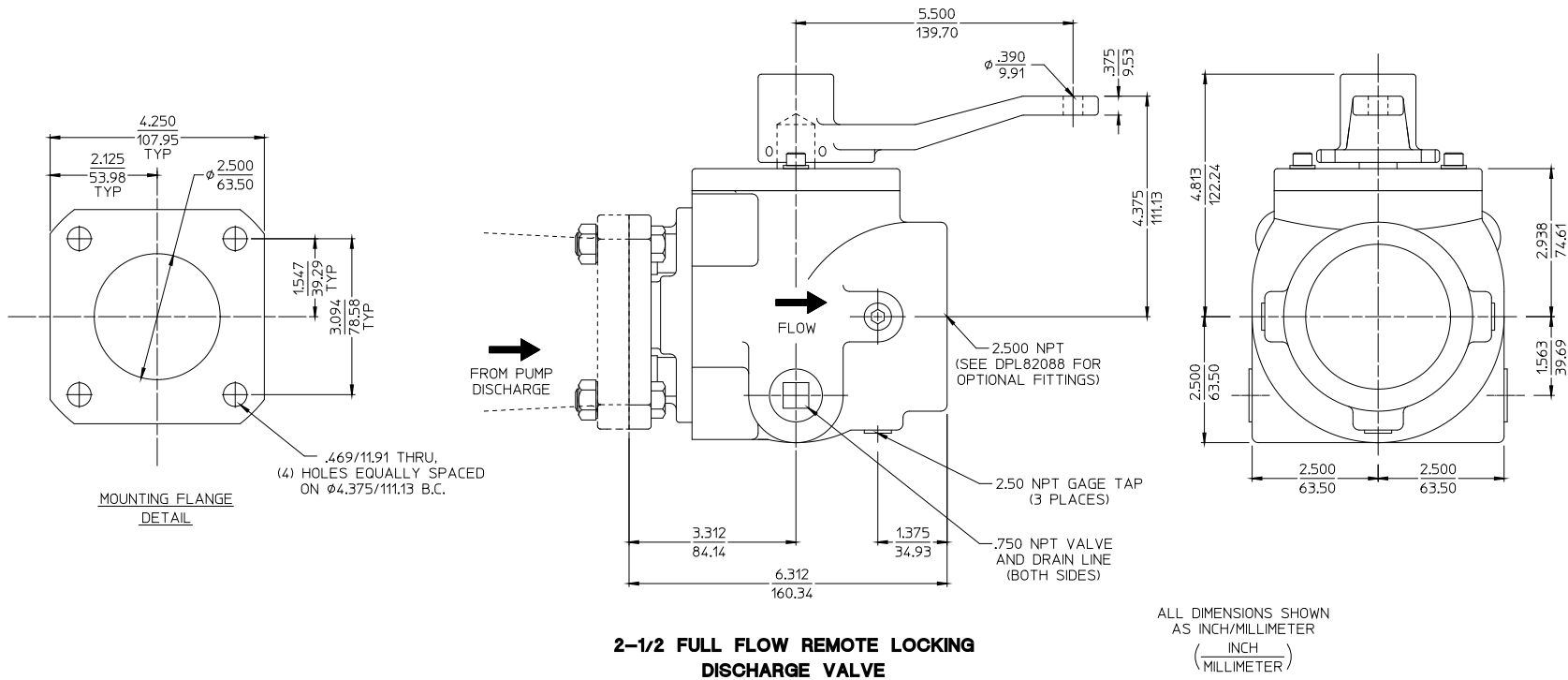
WHEN ORDERING, SUPPLY THE FOLLOWING INFORMATION:

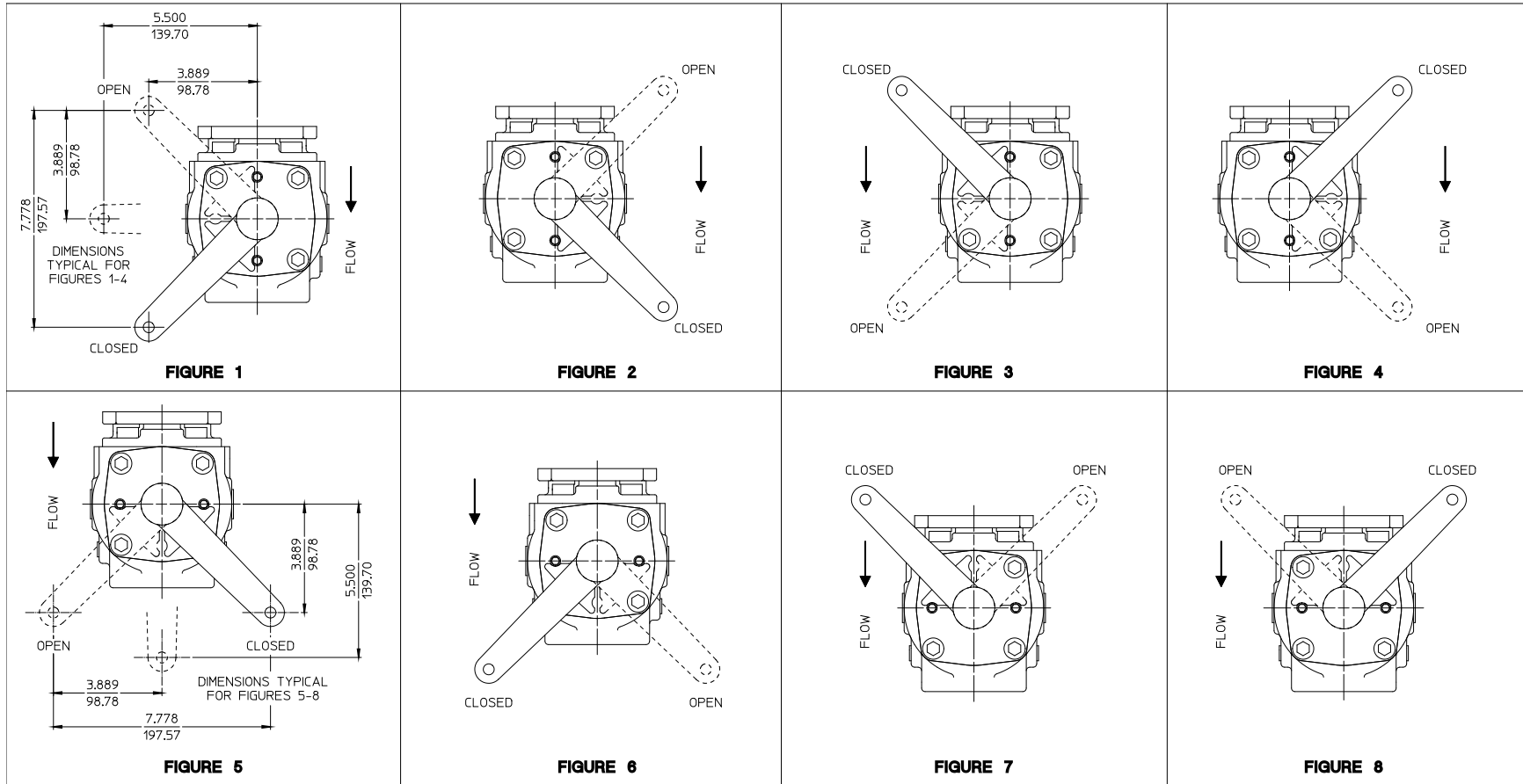
1. VALVE PART NO. 80825
2. SUFFIX WHICH INDICATES POSITION OF OPERATING HANDLE.

EXAMPLE: 80825-(1)

OPERATING HANDLE POSITION, FIGURES NO. 1-8
SEE PAGE 3

3. MATERIAL: IRON ONLY AVAILABLE.
4. OPTIONAL ITEMS SUCH AS DISCHARGE ADAPTERS AND PIPE NIPPLES, SEE DRAWING DPL82499 FOR THESE ITEMS.
5. SEE PAGE 3 FOR MOUNTING POSITIONS





ALL DIMENSIONS SHOWN
AS INCH/MILLIMETER

(INCH)
(MILLIMETER)

MOUNTING POSITIONS