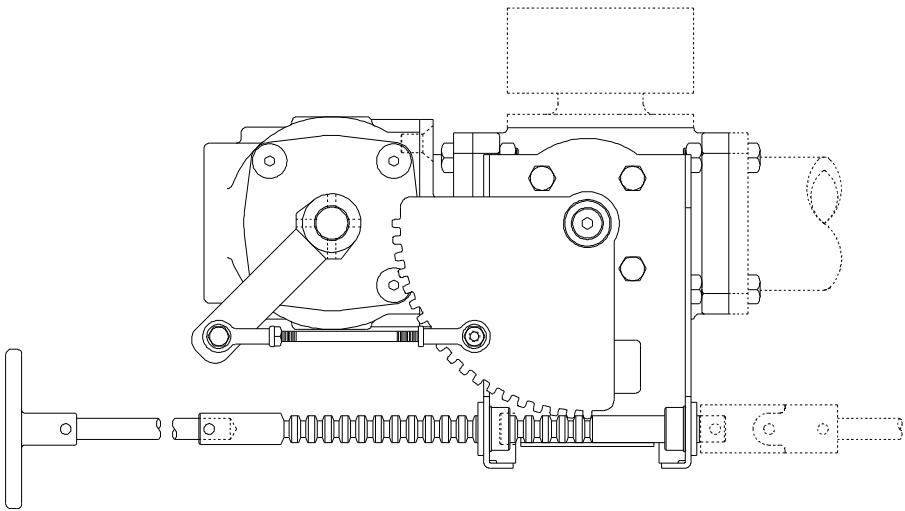
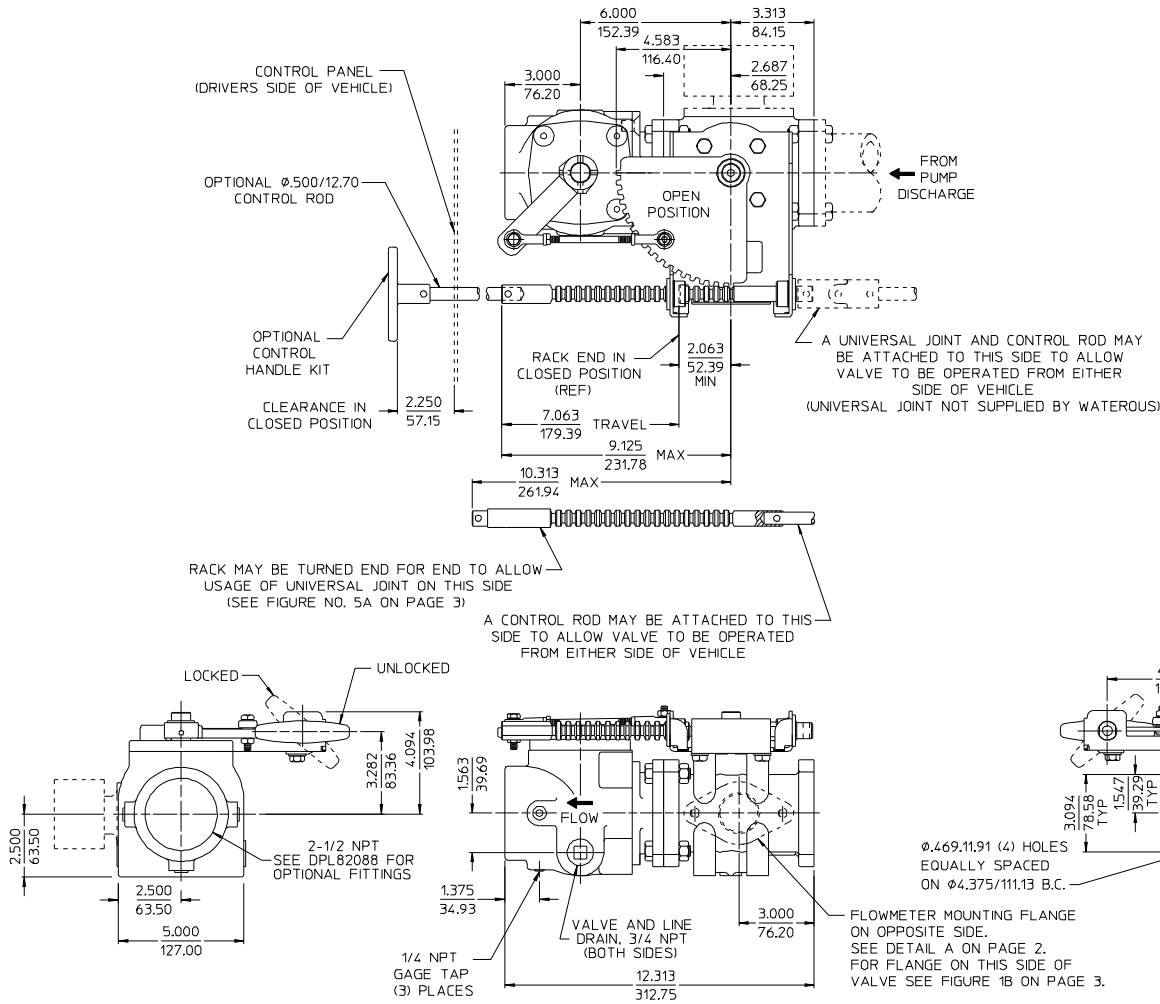


**Dimensional Drawings for 2-1/2" Full Flow Discharge Valve  
 With Flowmeter Provision  
 Valve Part No. 81194**



Index:

Feature		See Page
Mounting	Panel Side	1
	Remote Side	2
Available Operating Rod, Sector and Flowmeter Mounting Positions		3



NOTES:

WHEN ORDERING SUPPLY THE FOLLOWING INFORMATION:

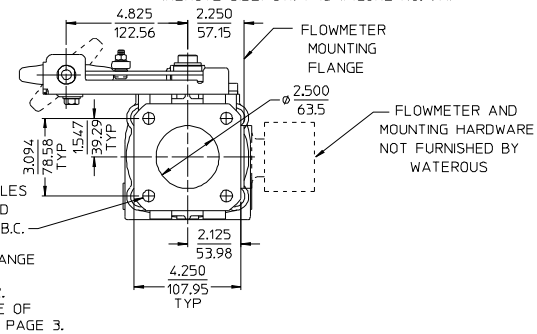
1. VALVE PART NO. 81194
2. SUFFIXES WHICH INDICATE VALVE MOUNTING, MATERIAL AND POSITION OF OPERATING ROD AND SECTOR.

81194-1N (1A)  
 OPERATING ROD, SECTOR AND FLOWMETER POSITION, FIGURE NO'S 1A THRU 15B AVAILABLE FOR ALL MOUNTINGS, SEE PAGE 3  
 VALVE MOUNTING AND MATERIAL

MOUNTING	SUFFIX	MATERIAL	
		VALVE	FLOWMETER EXTENSION
PANEL SIDE (FLANGE MOUNTED)	1N	IRON	IRON
REMOTE SIDE (FLANGE MOUNTED) (SEE PAGE 2)	1Q	IRON	IRON

3. OPTIONAL ITEMS REQUIRED SUCH AS CONTROL PLATE KIT, CONTROL HANDLE KIT, CONTROL ROD, DISCHARGE ADAPTERS, PIPE NIPPLES. SEE DRAWING DPL82499 FOR THESE ITEMS.
4. OPTIONAL CLASS 1 FLOW SENSOR ADAPTER, SEE DETAIL A ON PAGE 2.
5. MOUNTING LOCATION OF EACH VALVE ORDERED
6. IF OPERATING ROD AND SECTOR FIGURE NUMBER IS NOT SPECIFIED, WATEROUS COMPANY WILL FURNISH STANDARD POSITION FIGURES AS FOLLOWS:

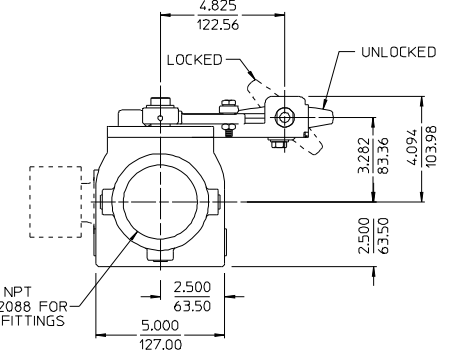
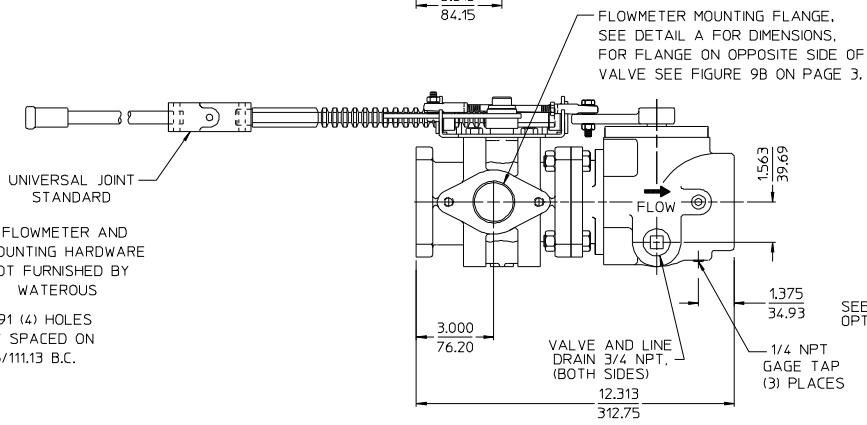
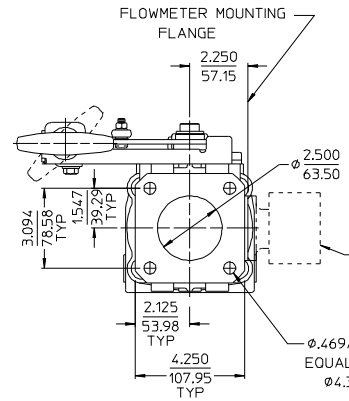
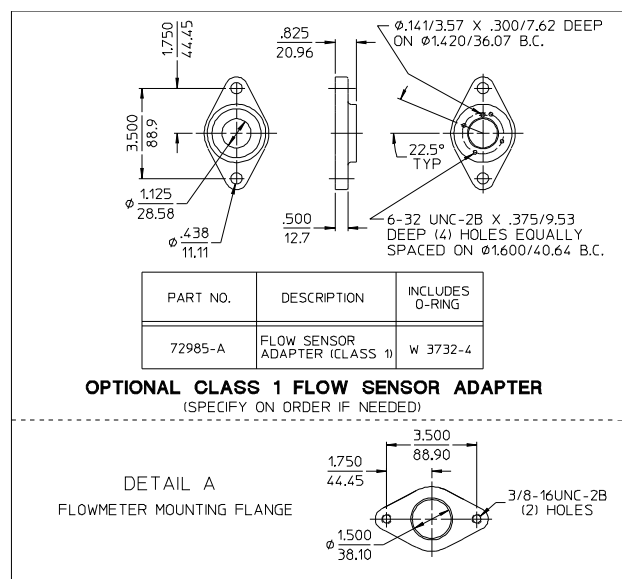
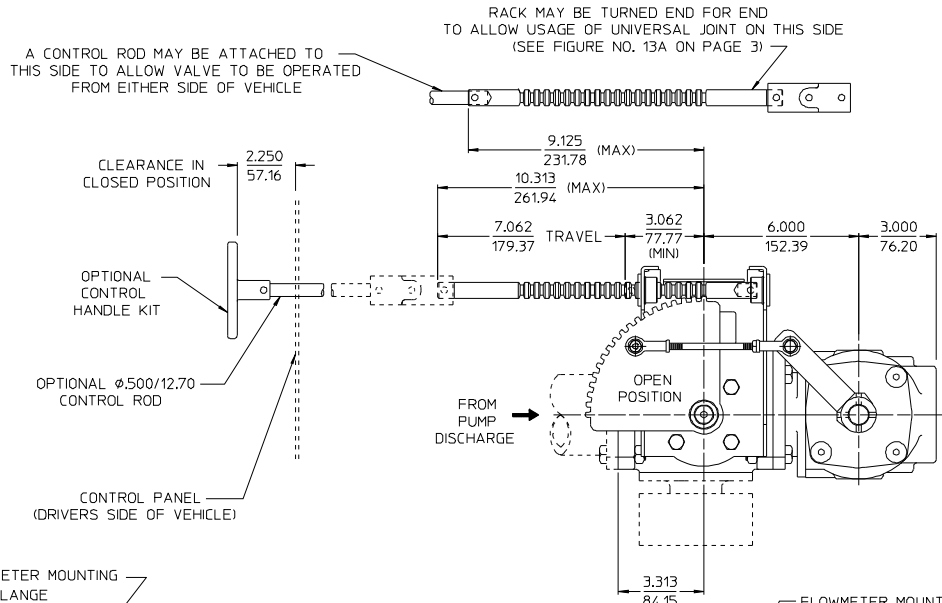
(PANEL SIDE) 81194-1N (FIGURE NO. 1A)  
 (REMOTE SIDE) 81194-1Q (FIGURE NO. 9A)



**81194-1N PANEL SIDE MOUNTING**

STANDARD OPERATING ROD AND SECTOR FIGURE NO. 1A SHOWN FOR FIELD FIELD CONVERSION THE POSITION OF THE OPERATING ROD AND SECTOR CAN BE CHANGED TO ANY FIGURE NUMBER SHOWN ON PAGE 3.

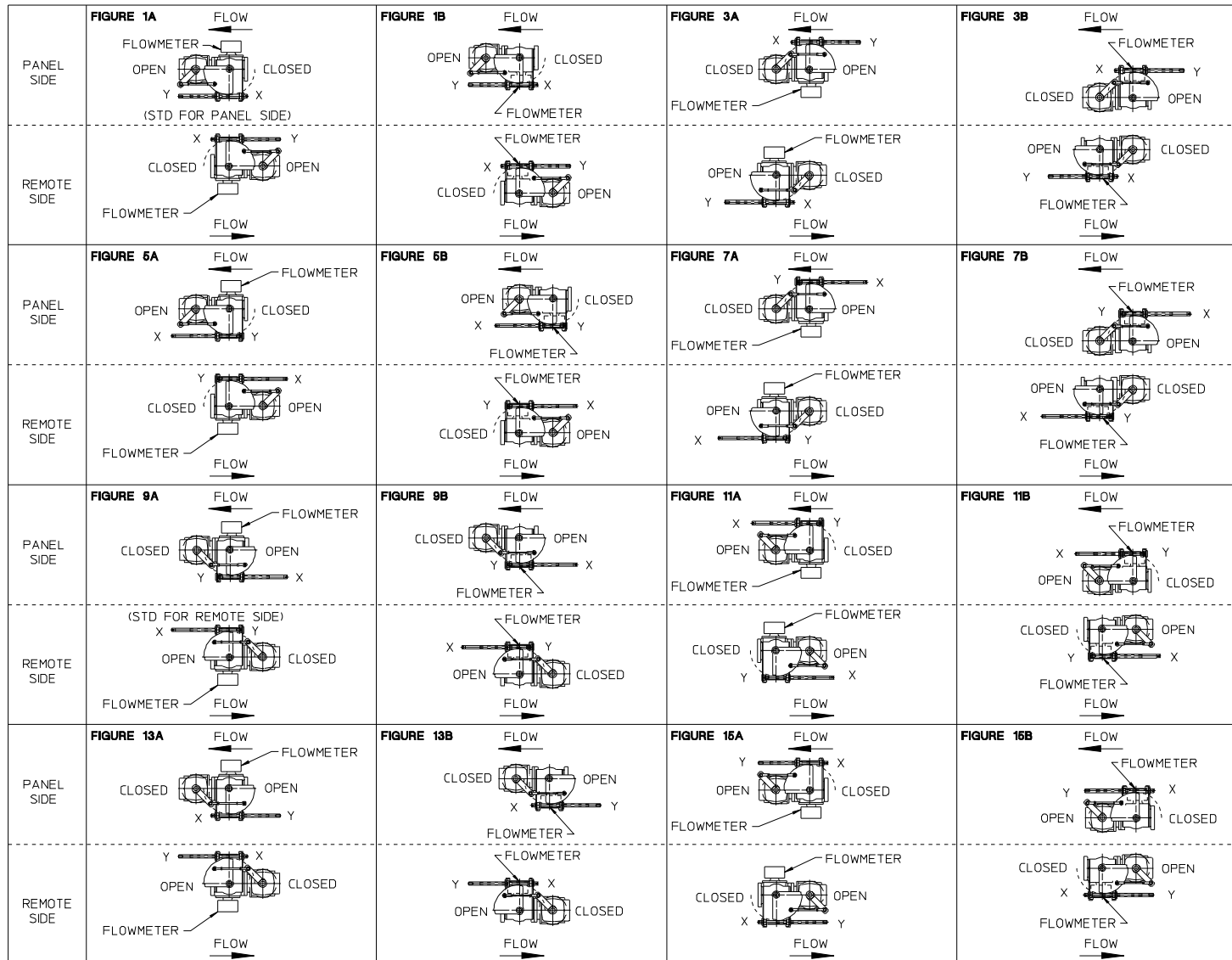
ALL DIMENSIONS SHOWN AS INCH/MILLIMETER  
 ( INCH / MILLIMETER )



**81194-1Q REMOTE SIDE MOUNTING**

STANDARD OPERATING ROD AND SECTOR FIGURE NO. 9A SHOWN FOR FIELD FIELD CONVERSION THE POSITION OF THE OPERATING ROD AND SECTOR CAN BE CHANGED TO ANY FIGURE NUMBER SHOWN ON PAGE 3.

ALL DIMENSIONS SHOWN AS INCH/MILLIMETER  
( INCH / MILLIMETER )



KEY:  
 Y INDICATES A  $\varnothing.500/12.7$  HOLE  
 FOR RIGID ROD CONNECTIONS  
 X INDICATES PROVISION FOR  
 UNIVERSAL JOINT CONNECTION

ALL REMOTE VALVES ARE  
 FURNISHED WITH A UNIVERSAL  
 JOINT ON 'X' END. BUILDER MUST  
 SUPPLY UNIVERSAL JOINT FOR  
 PANEL VALVES IF INSTALLATION  
 REQUIRES IT.

ALL DIMENSIONS SHOWN  
 AS INCH/MILLIMETER

(  $\frac{\text{INCH}}{\text{MILLIMETER}}$  )