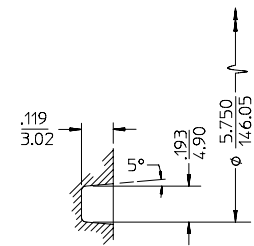
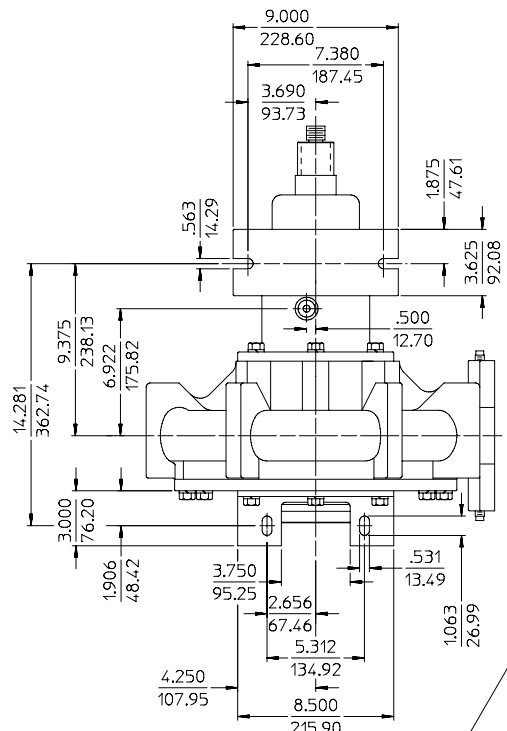




Document Number	Issue Date	Rev. Date
<b>DPL81700</b>	<b>08/22/90</b>	<b>05/23/12</b>

## CZ Series Fire Pump Dimensional Drawings

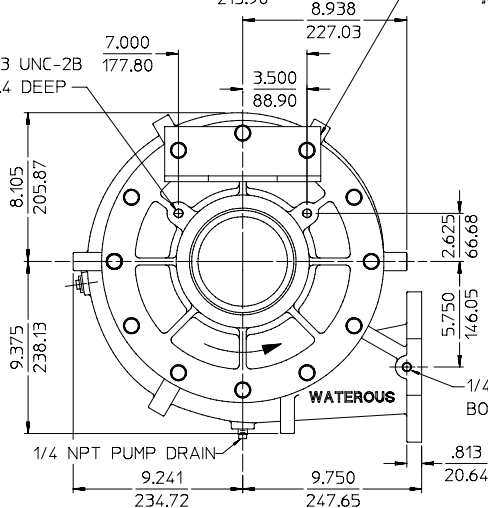
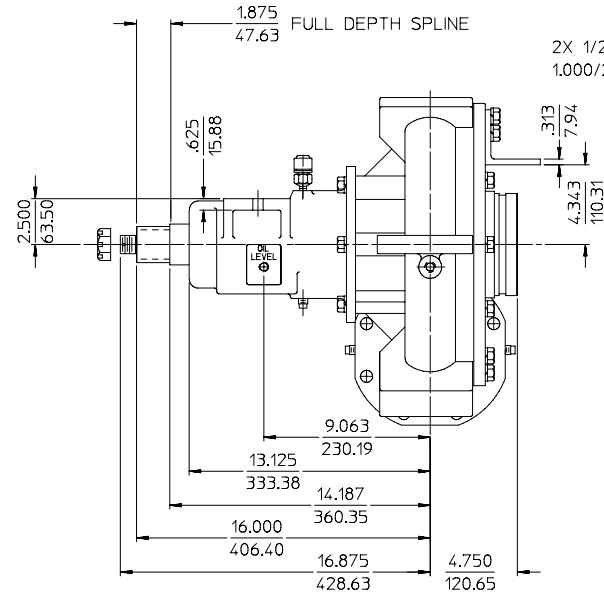
Item		See Page
Model CZ	Iron	2
	Bronze	3
Model CZU	Iron	4
	Bronze	5
Available Mounting Bracket Positions		6
Available Discharge Positions		7
Ordering Information		8



DETAIL A  
(O-RING GROOVE)

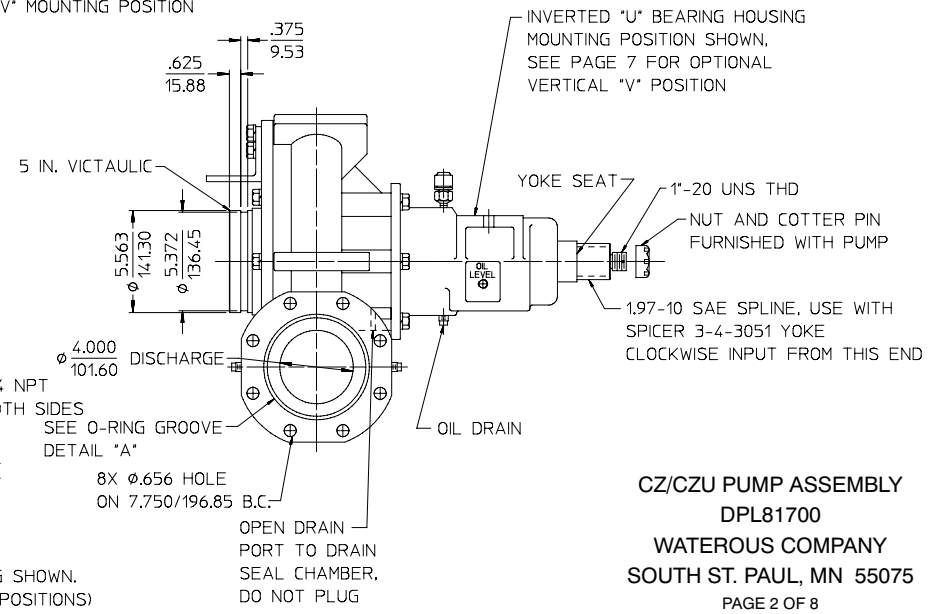
ALL DIMENSIONS SHOWN IN INCH/MILLIMETER.  
( $\frac{\text{INCH}}{\text{MILLIMETER}}$ )

OPTIONAL INTAKE SIDE MOUNTING BRACKET, INVERTED "U" MOUNTING POSITION SHOWN, SEE PAGE 7 FOR OPTIONAL VERTICAL "V" MOUNTING POSITION

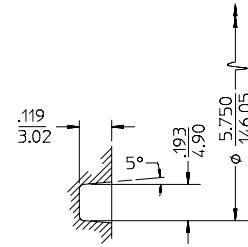
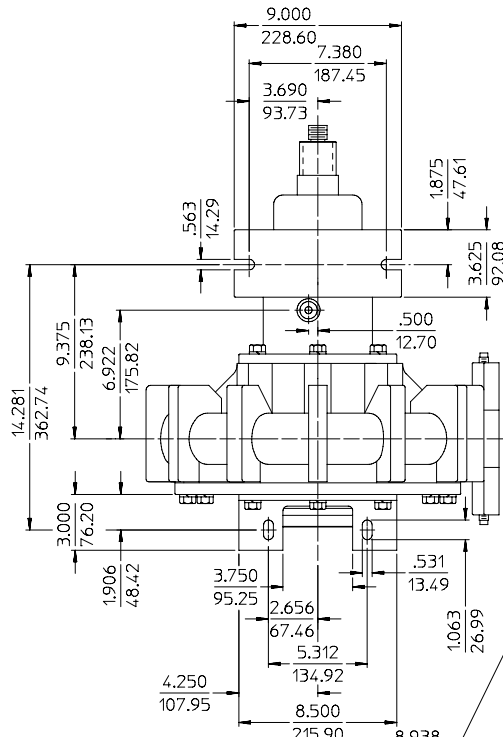


**IRON MODEL CZ**

BASIC PUMP DIMENSIONS  
(HORIZONTAL FIGURE NO. 1 MOUNTING SHOWN, SEE PAGE 6 FOR OTHER MOUNTING POSITIONS)



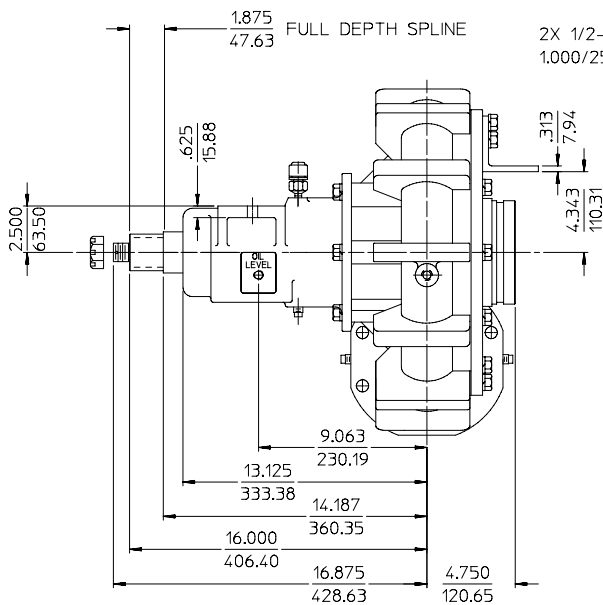
**CZ/CZU PUMP ASSEMBLY**  
**DPL81700**  
**WATEROUS COMPANY**  
**SOUTH ST. PAUL, MN 55075**  
PAGE 2 OF 8



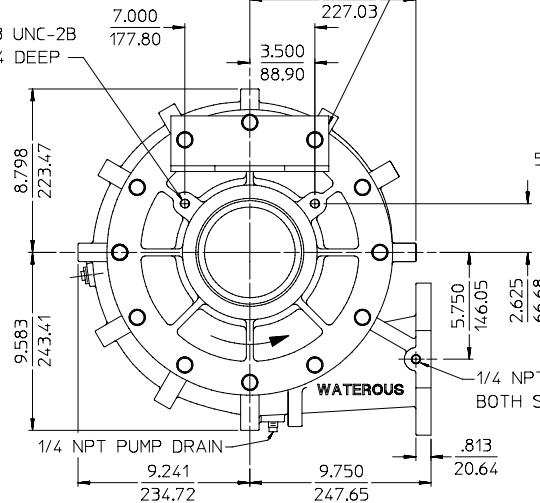
DETAIL A  
(O-RING GROOVE)

ALL DIMENSIONS SHOWN IN INCH/MILLIMETER.  
( INCH / MILLIMETER )

OPTIONAL INTAKE SIDE MOUNTING BRACKET, INVERTED "U" MOUNTING POSITION SHOWN, SEE PAGE 7 FOR OPTIONAL VERTICAL "V" MOUNTING POSITION

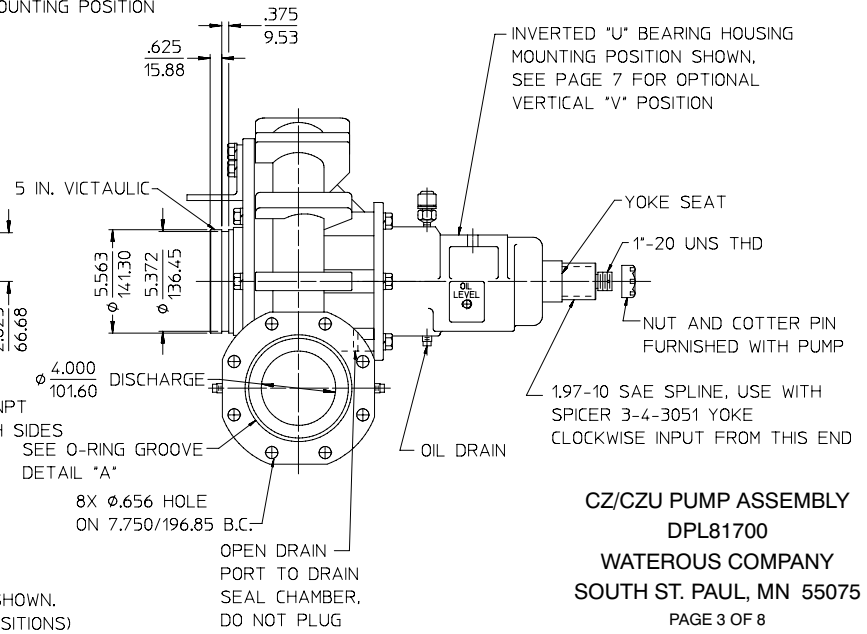


2X 1/2-13 UNC-2B  
1.000/25.4 DEEP



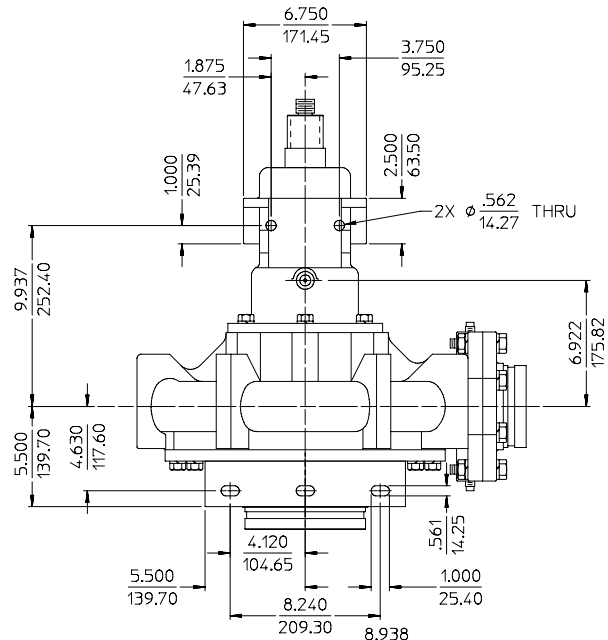
**BRONZE MODEL CZ**

BASIC PUMP DIMENSIONS  
(HORIZONTAL FIGURE NO. 1 MOUNTING SHOWN.  
SEE PAGE 6 FOR OTHER MOUNTING POSITIONS)

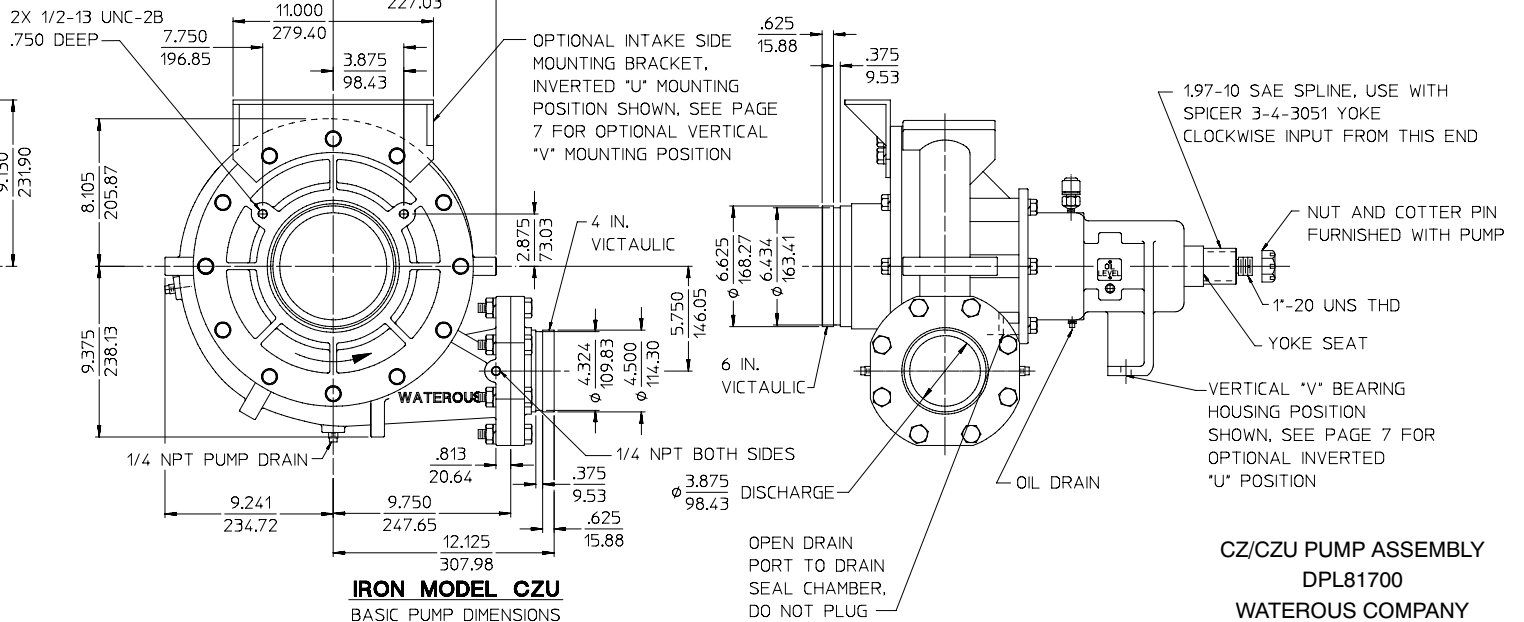
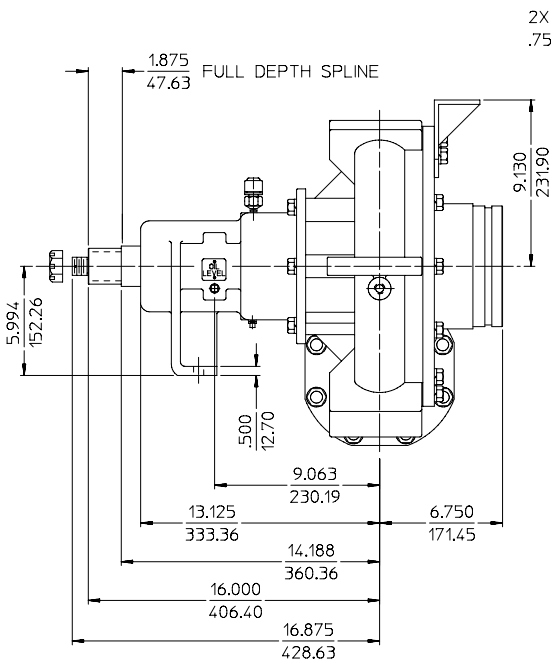


**CZ/CZU PUMP ASSEMBLY  
DPL81700**

**WATEROUS COMPANY**  
SOUTH ST. PAUL, MN 55075

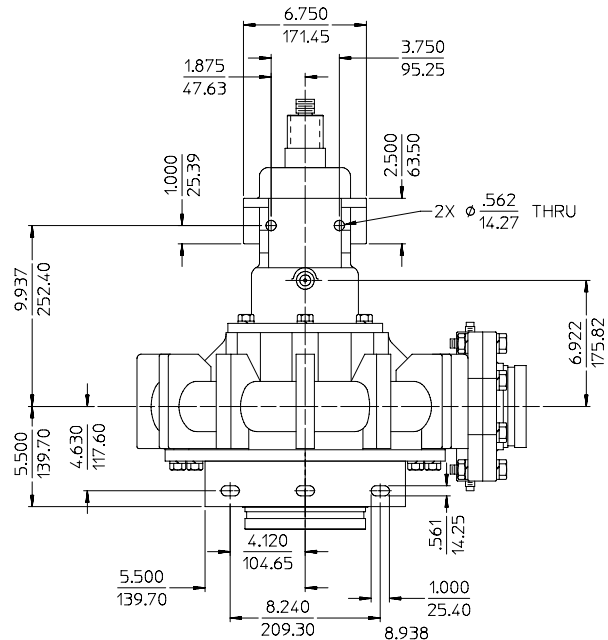


ALL DIMENSIONS SHOWN IN INCH/MILLIMETER.  
(  $\frac{\text{INCH}}{\text{MILLIMETER}}$  )

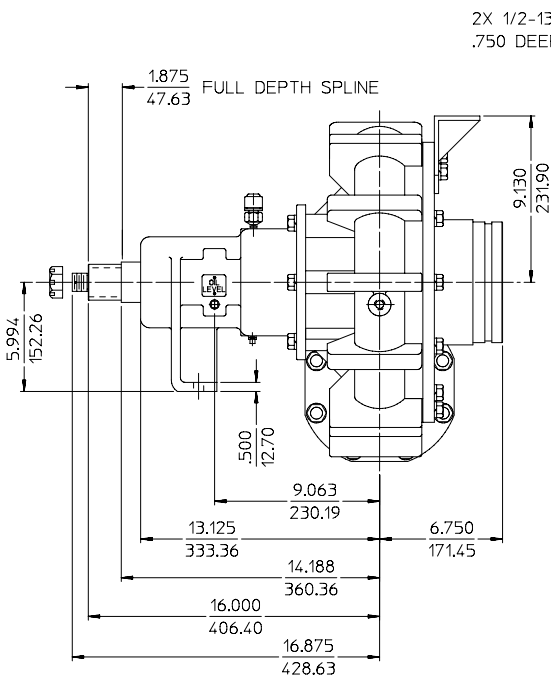


**IRON MODEL CZU**  
BASIC PUMP DIMENSIONS  
(HORIZONTAL FIGURE NO. 1 MOUNTING SHOWN, SEE PAGE 6 FOR OTHER MOUNTING POSITIONS)

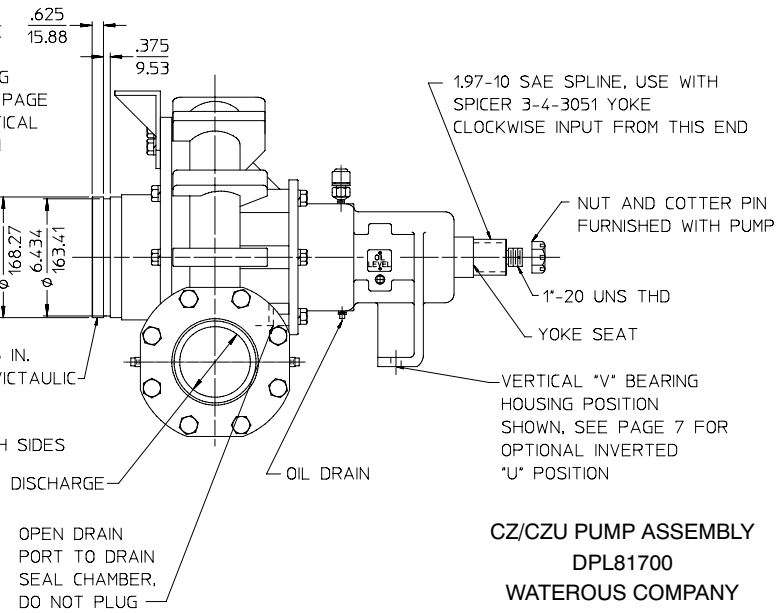
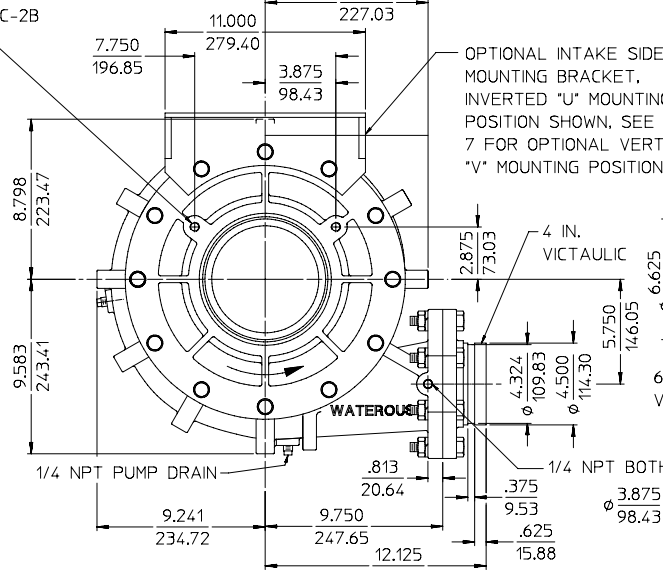
**CZ/CZU PUMP ASSEMBLY**  
**DPL81700**  
**WATEROUS COMPANY**  
**SOUTH ST. PAUL, MN 55075**  
PAGE 4 OF 8



ALL DIMENSIONS SHOWN IN INCH/MILLIMETER.  
( $\frac{\text{INCH}}{\text{MILLIMETER}}$ )



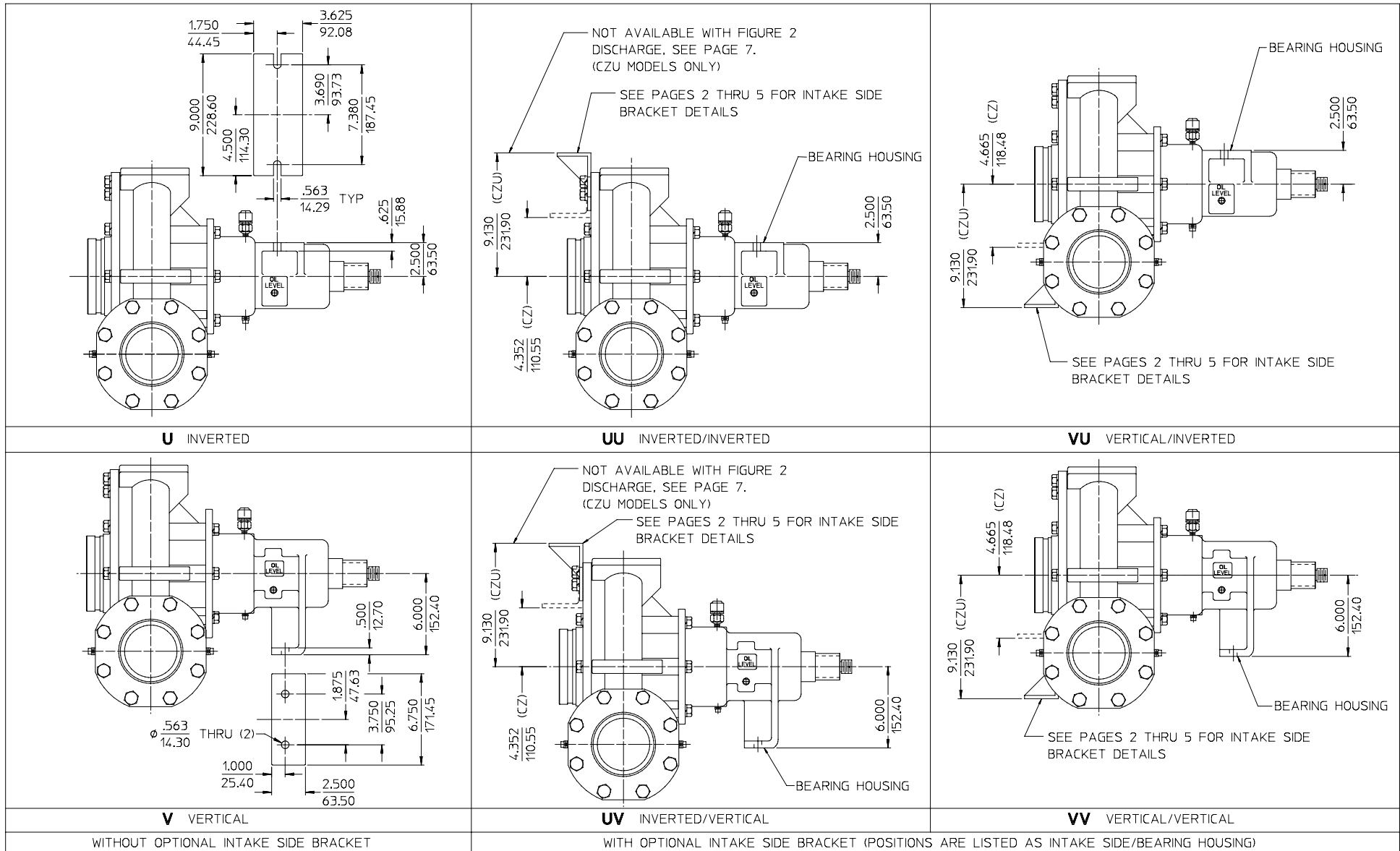
2X 1/2-13 UNC-2B  
.750 DEEP



**BRONZE MODEL CZU**

BASIC PUMP DIMENSIONS  
(HORIZONTAL FIGURE NO. 1 MOUNTING SHOWN.  
SEE PAGE 6 FOR OTHER MOUNTING POSITIONS)

**CZ/CZU PUMP ASSEMBLY**  
DPL81700  
WATEROUS COMPANY  
SOUTH ST. PAUL, MN 55075



ALL DIMENSIONS SHOWN IN INCH/MILLIMETER.  
 (  $\frac{\text{INCH}}{\text{MILLIMETER}}$  )

**AVAILABLE MOUNTING BRACKET POSITIONS (CZ AND CZU MODELS)**

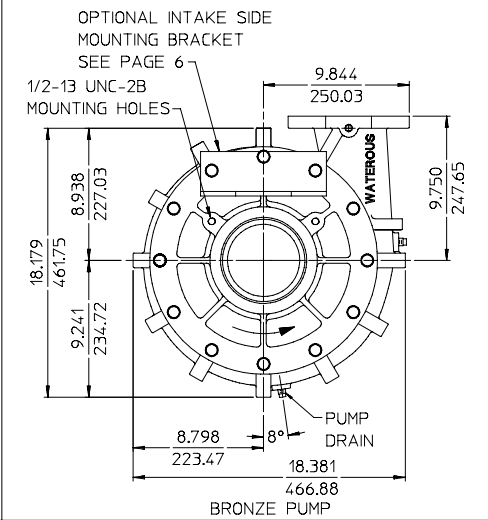
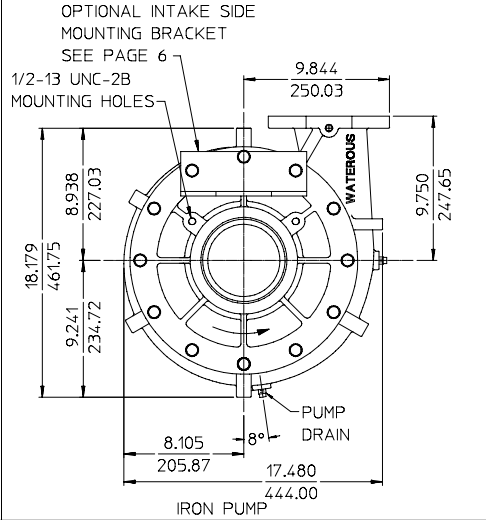
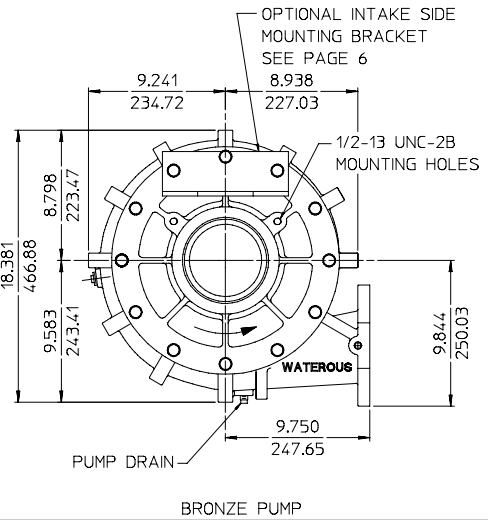
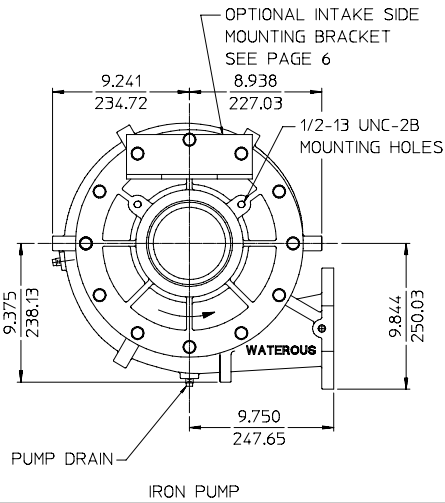


FIGURE 1 HORIZONTAL

**CZ MODELS**

FIGURE 2 VERTICAL

**AVAILABLE DISCHARGE POSITIONS, VIEWED FROM INTAKE SIDE**

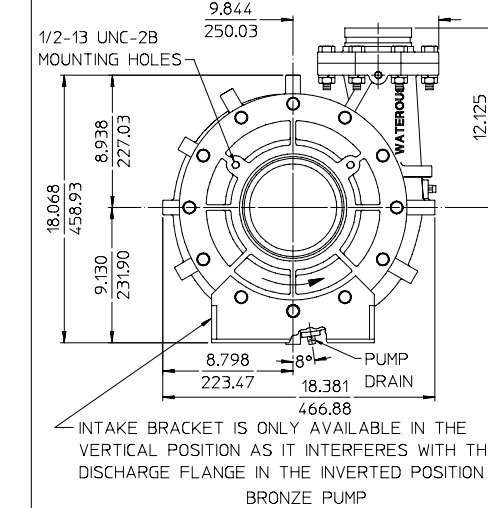
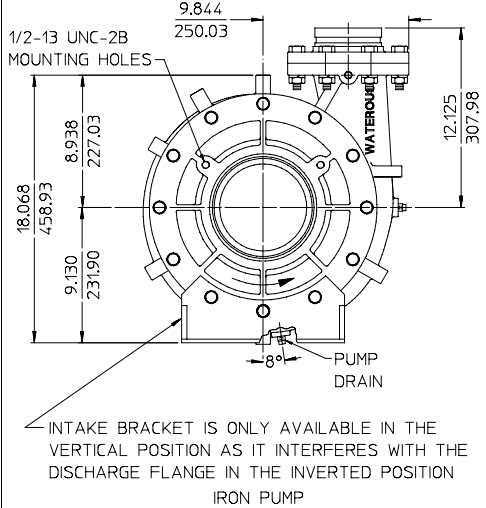
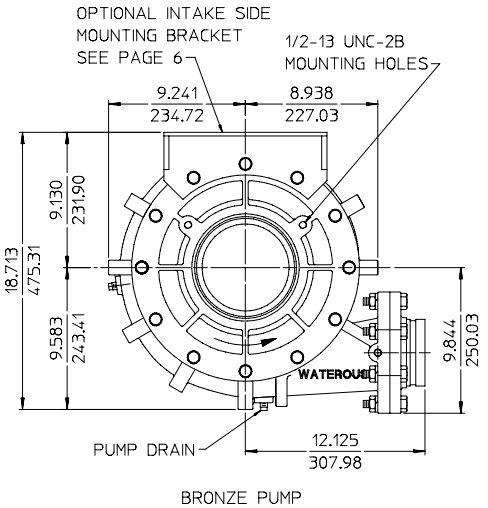
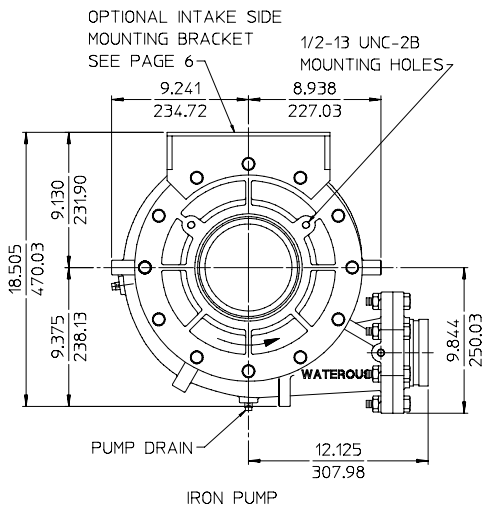


FIGURE 1 HORIZONTAL

**CZU MODELS**

FIGURE 2 VERTICAL

**AVAILABLE DISCHARGE POSITIONS, VIEWED FROM INTAKE SIDE**

CZ/CZU PUMP ASSEMBLY  
 DPL81700  
 WATEROUS COMPANY  
 SOUTH ST. PAUL, MN 55075  
 PAGE 7 OF 8

## ORDERING INFORMATION

WHEN ORDERING, SUPPLY THE FOLLOWING INFORMATION:

1. MODEL: CZ OR CZU
2. MATERIAL: IRON OR BRONZE
3. BASIC ASSEMBLY NUMBER 81700
4. SUFFIXES WHICH INDICATE MOUNTING BRACKET POSITIONS AND DISCHARGE POSITION:

