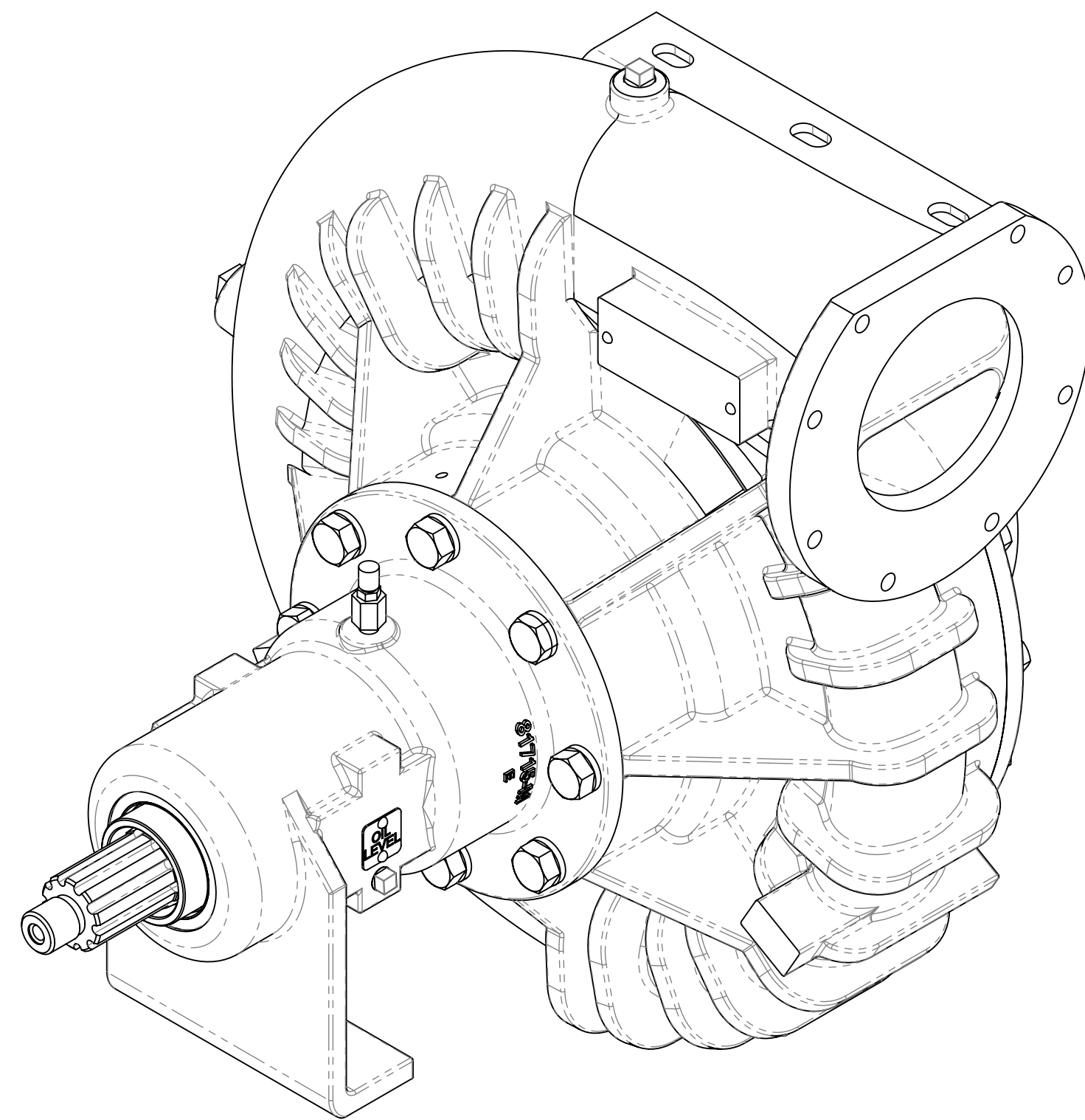
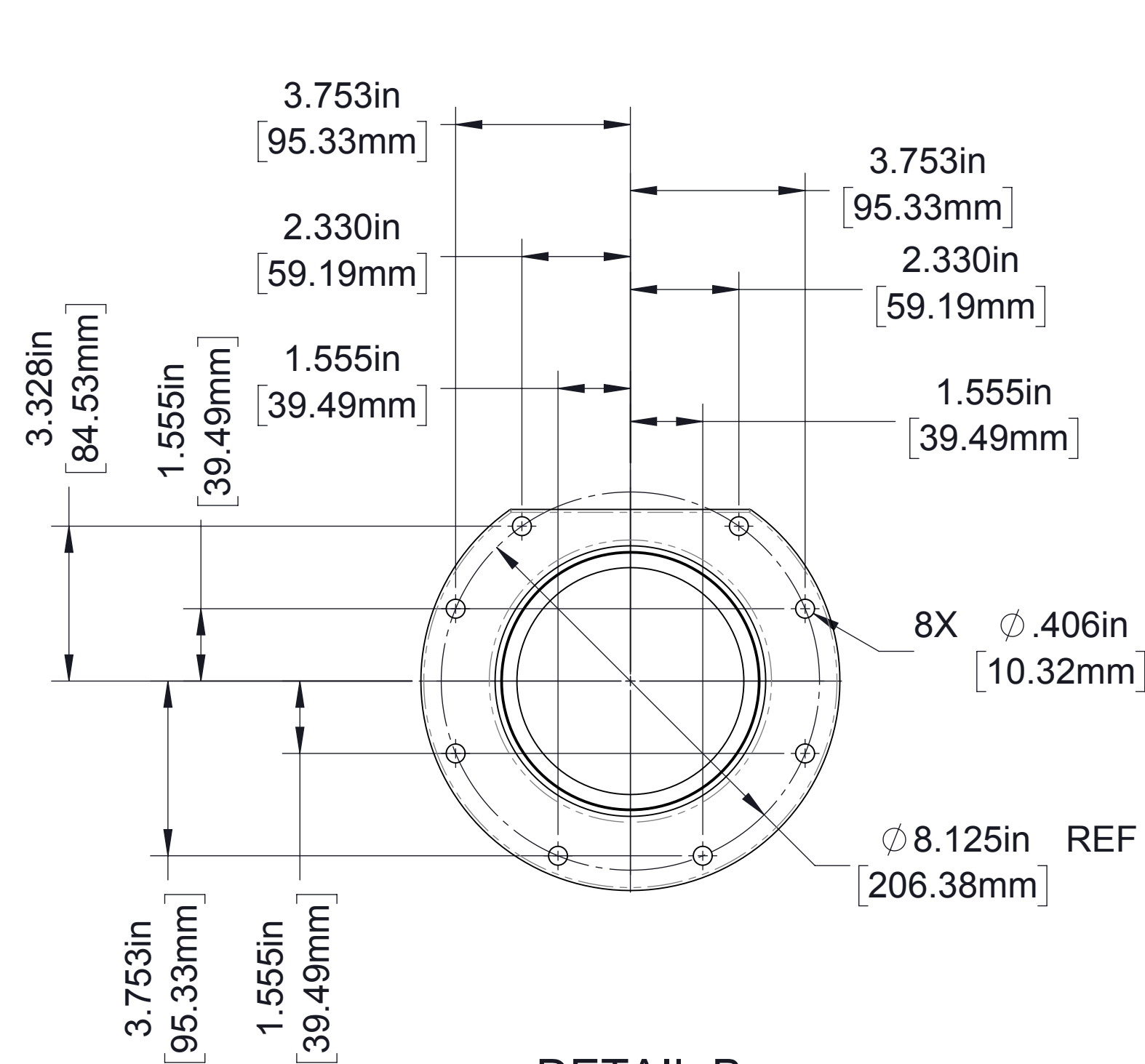


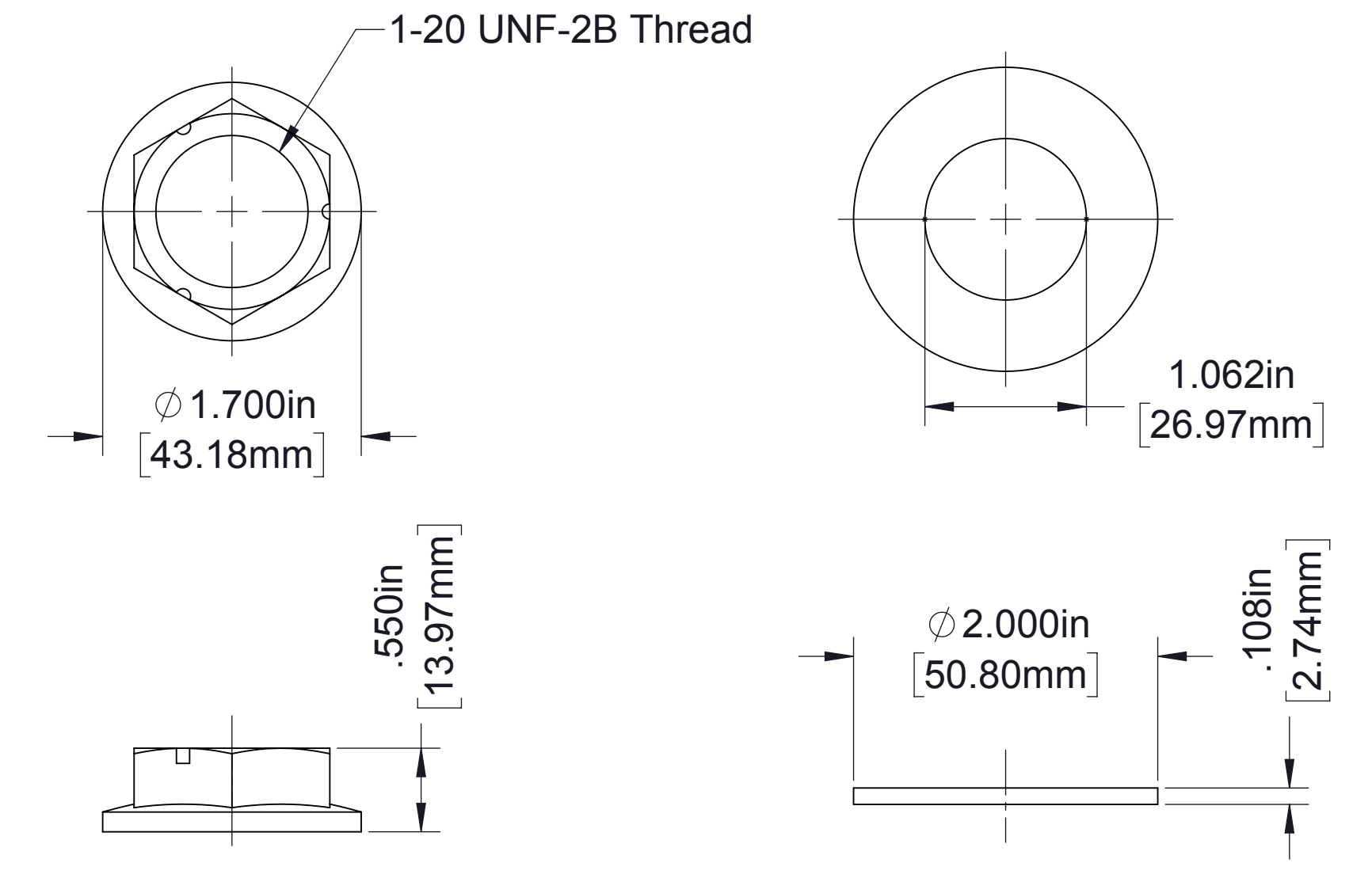
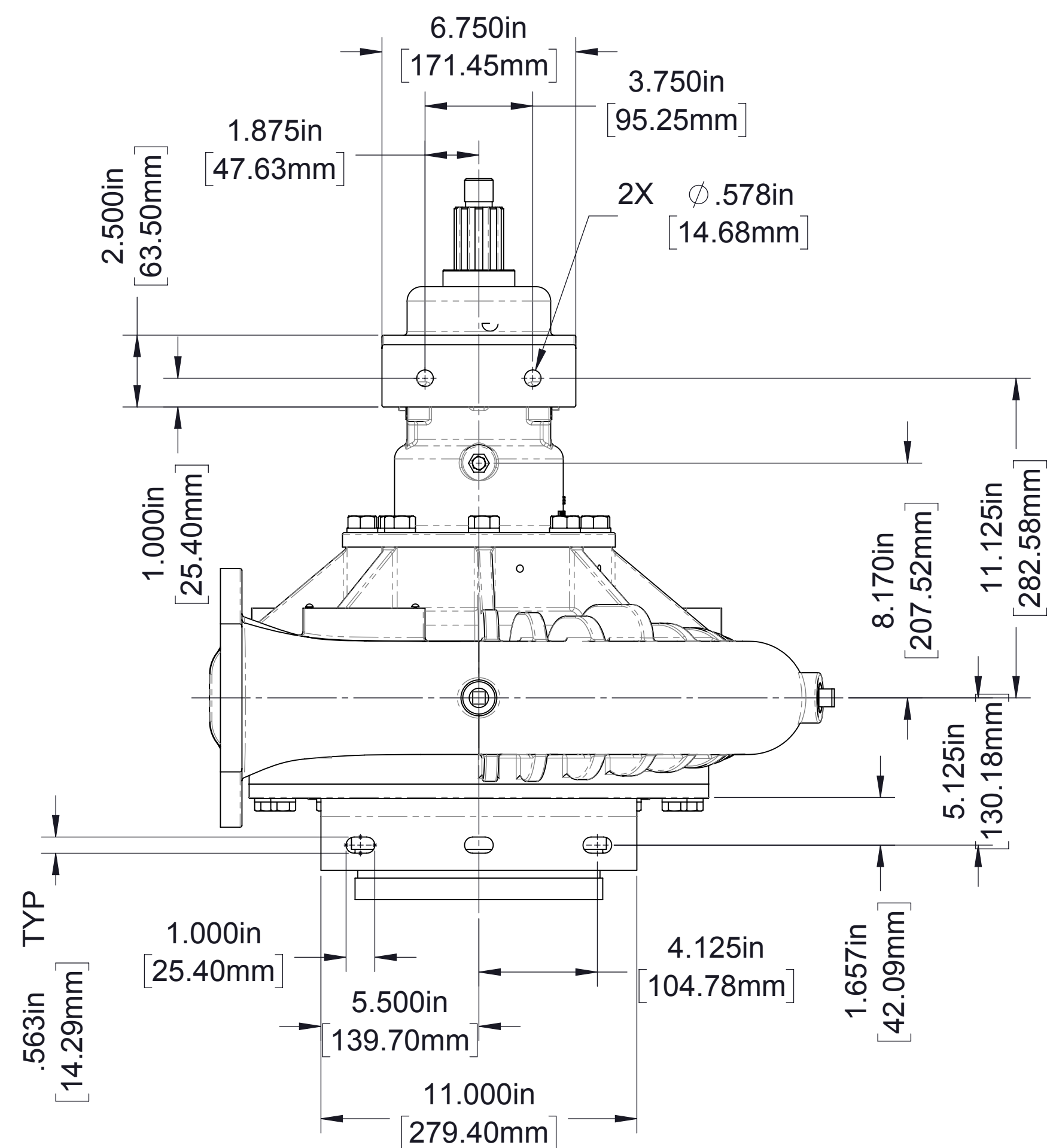
# Dimensional Drawings For CR Series Direct Drive Fire Pumps

Description	See Page
Basic Pump Dimensions	2
Available Mounting Bracket Positions	3
Available Discharge Positions And Optional Discharg Adapter	4
Ordering Information	5

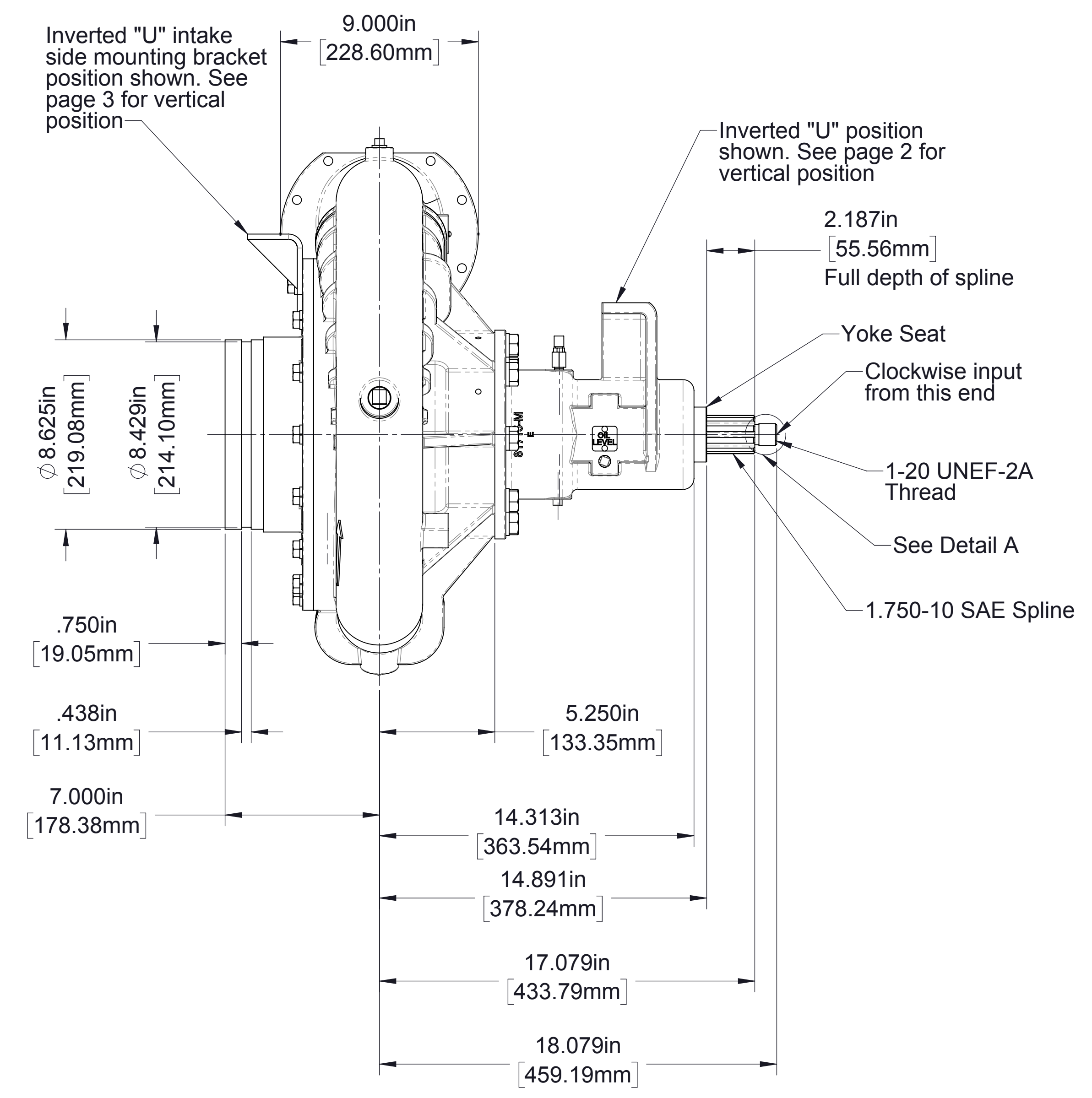
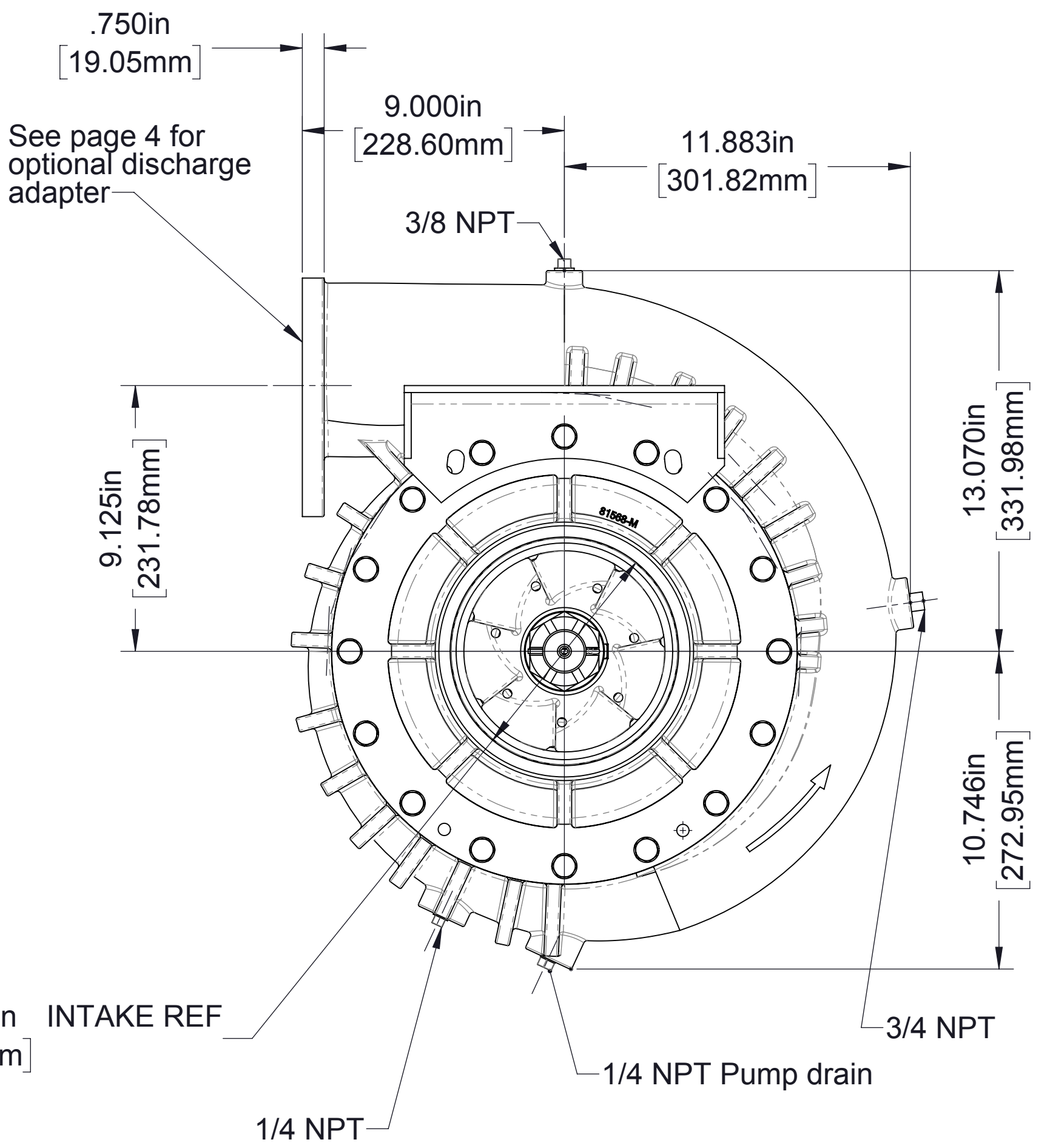
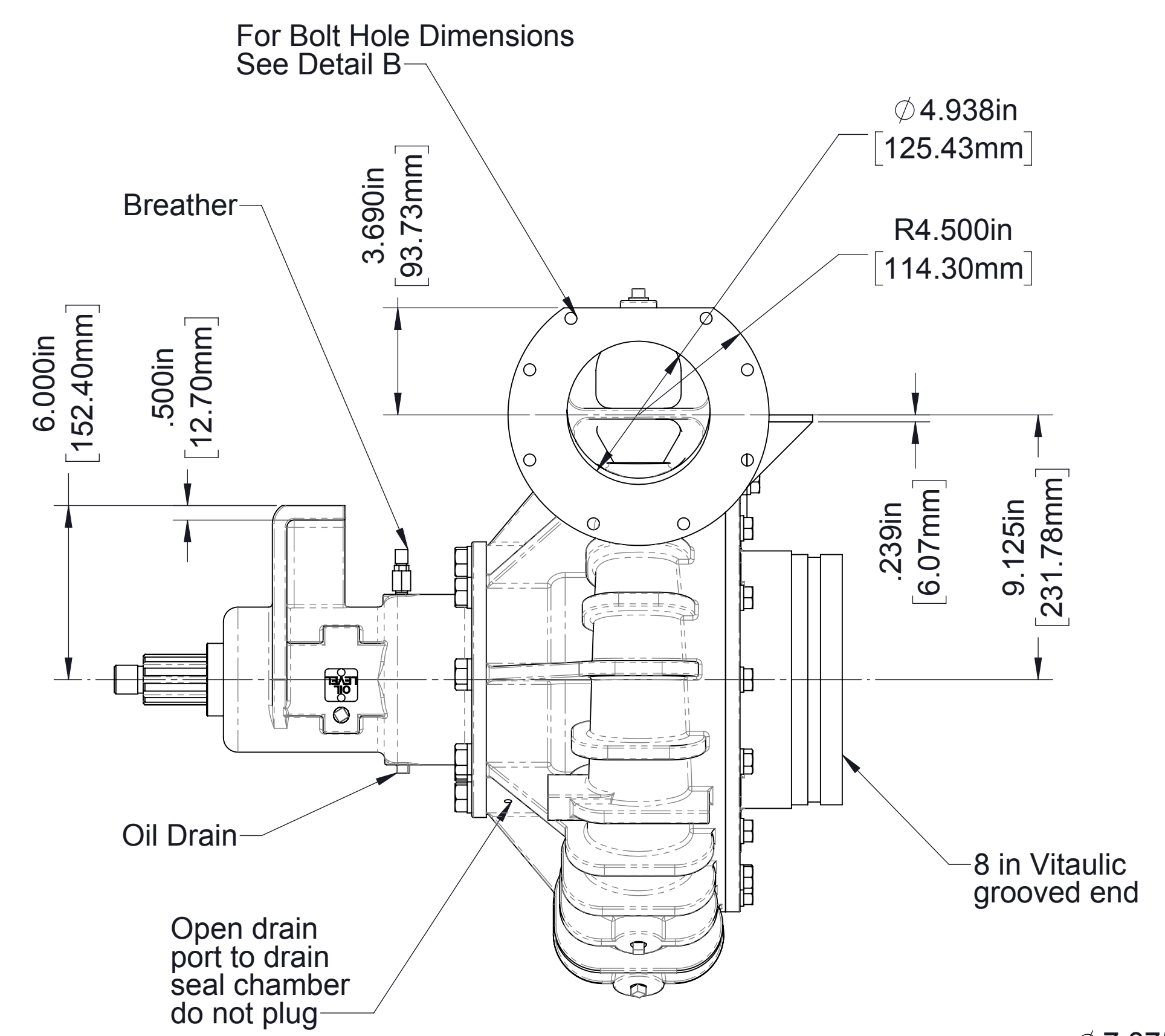




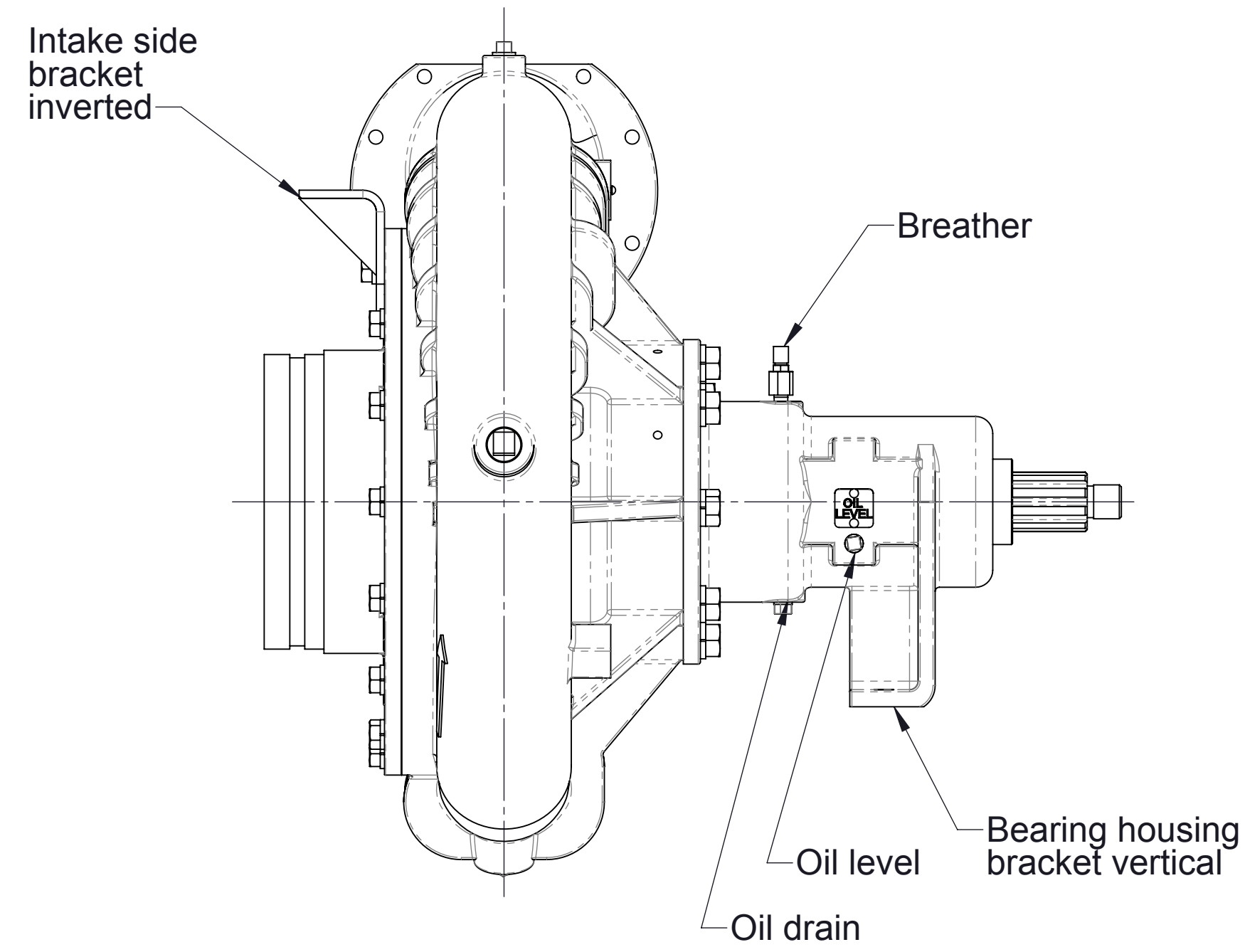
**DETAIL B**  
DISCHARGE FLANGE  
SEE PAGE 4 FOR OPTIONAL VICTAULIC ADAPTER



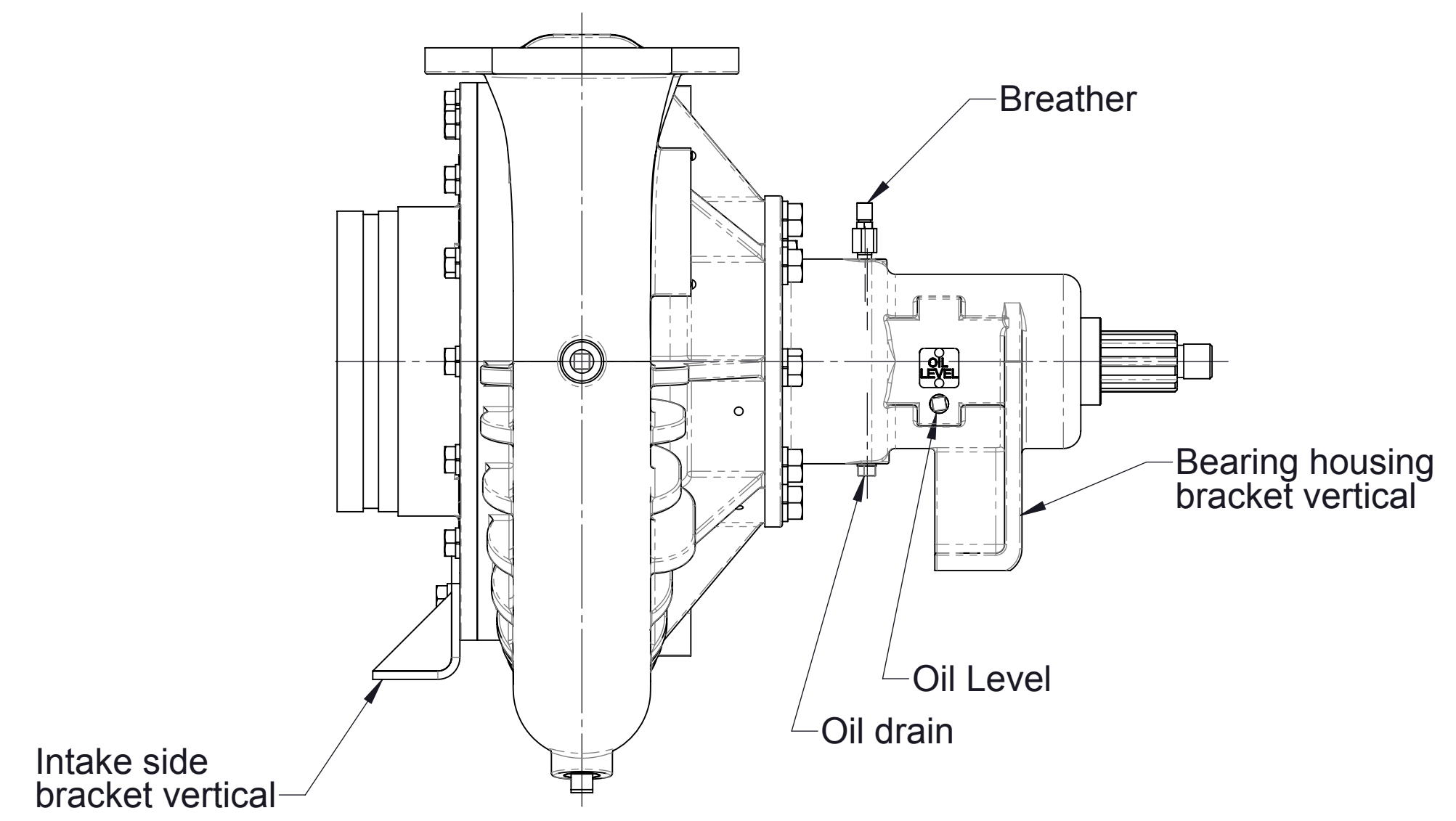
**Detail A**  
Yoke Nut and Washer Supplied With Pump



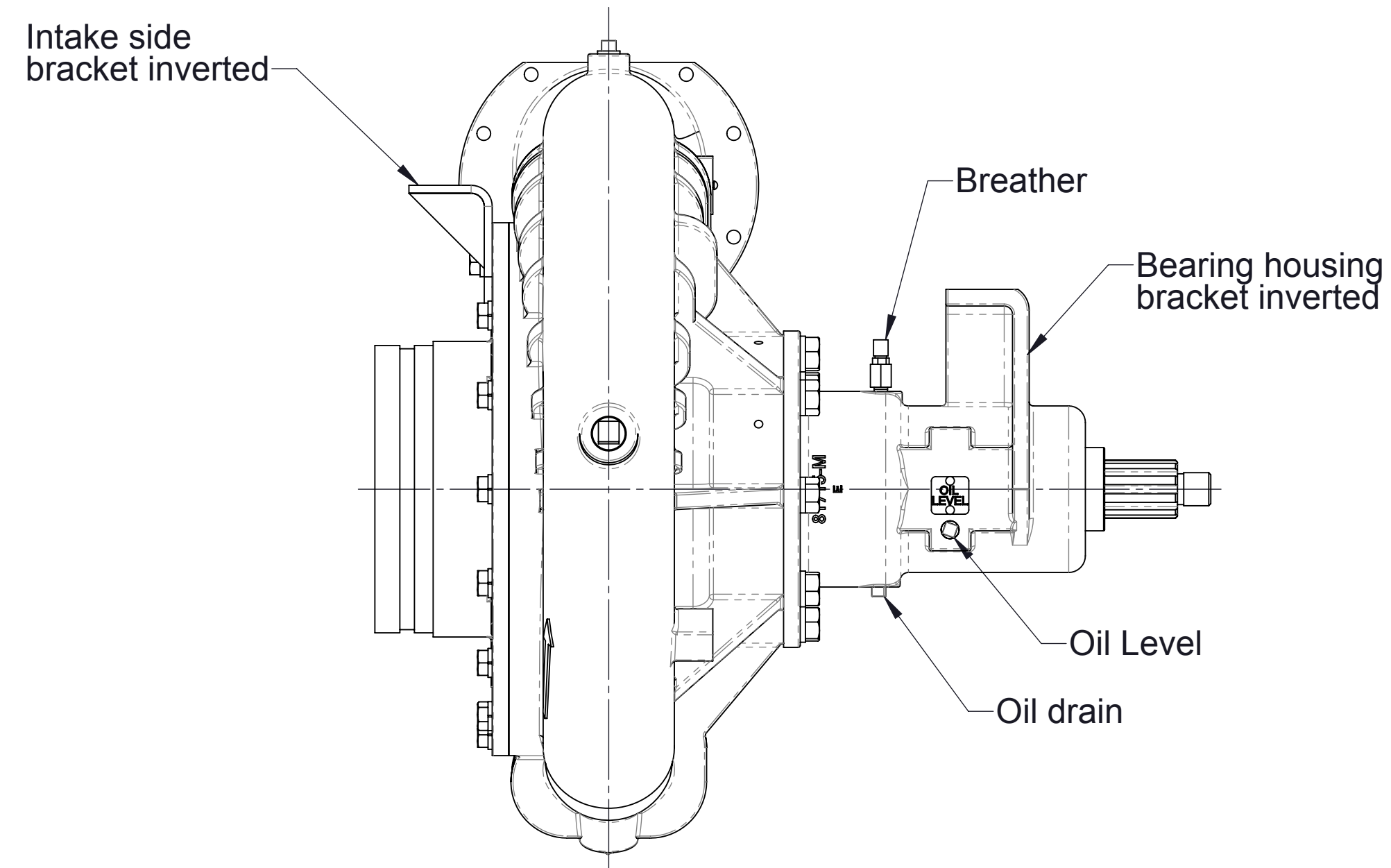
**Basic Pump Dimensions**  
Left Figure Number 2 Shown  
(See Pages 3 and 4 for optional Mounting Configurations)



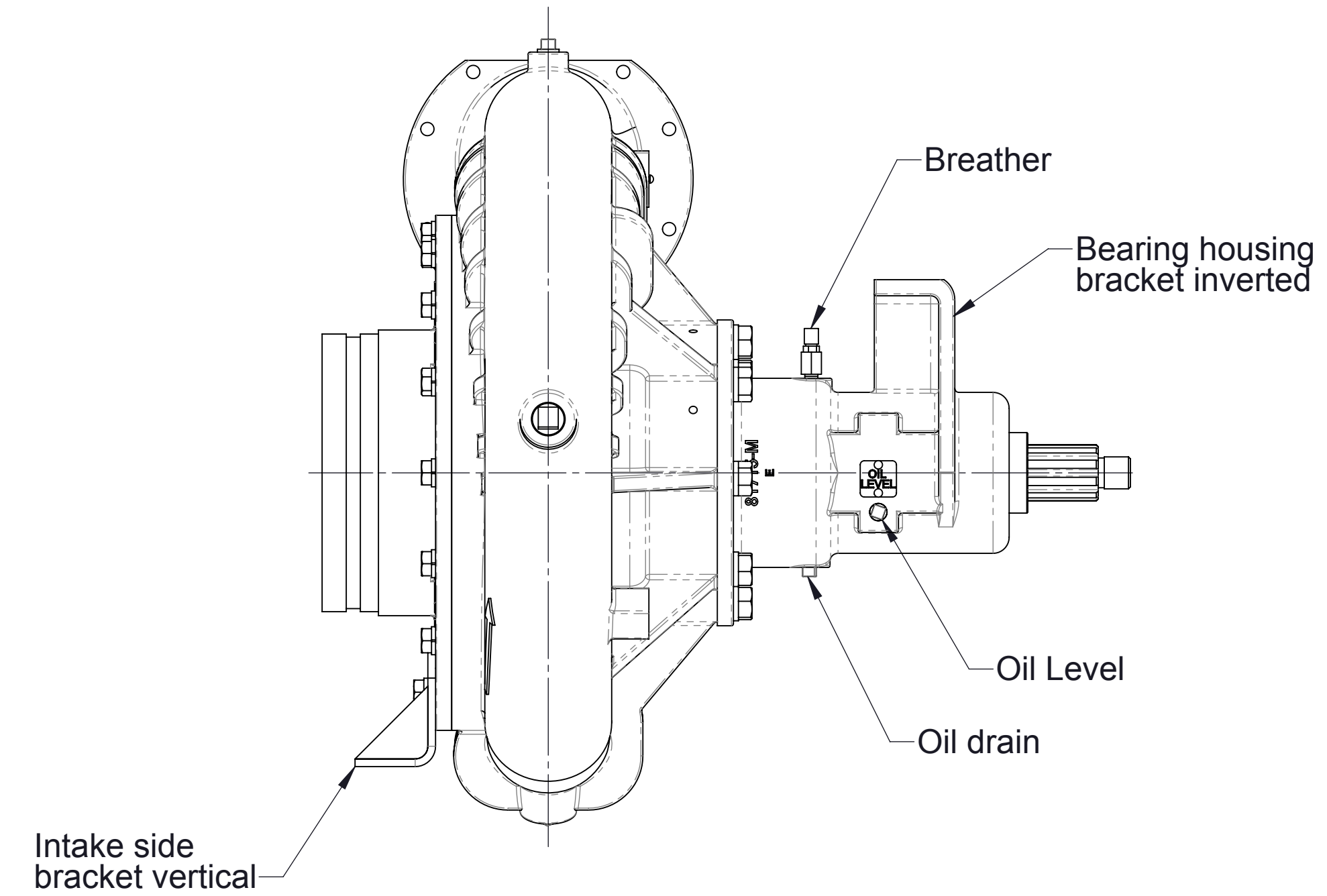
**UV INVERTED / VERTICAL**



**VV VERTICAL / VERTICAL**



**UU INVERTED / INVERTED**



**VU VERTICAL / INVERTED**

**AVAILABLE MOUNTING BRACKET POSITIONS**

Note: First letter identifies intake side bracket mounting  
 second letter identifies bearing housing bracket mounting

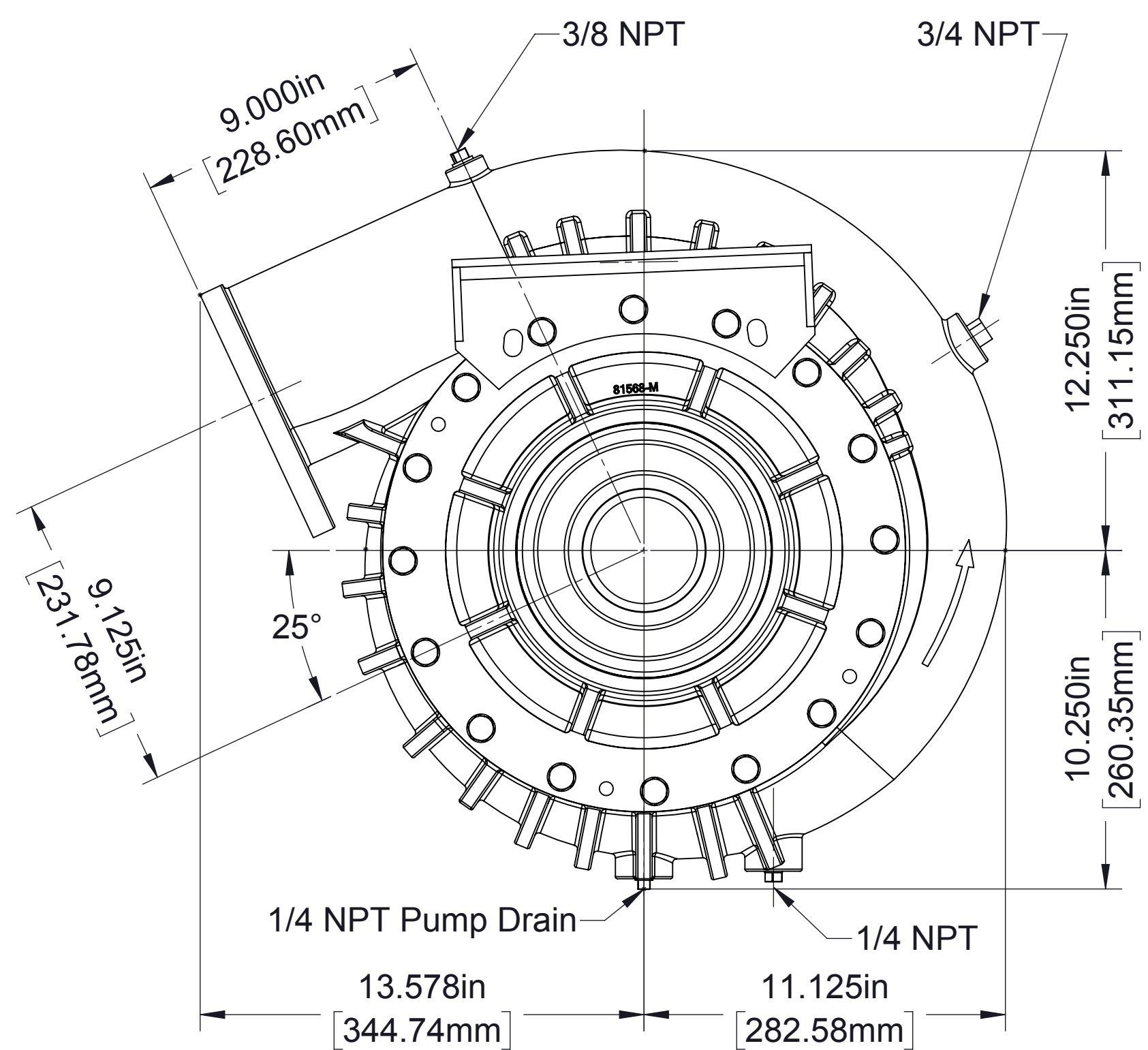


FIGURE 1  
Left (25° Below Horizontal)  
(Formerly Labeled 25° Below Horizontal)

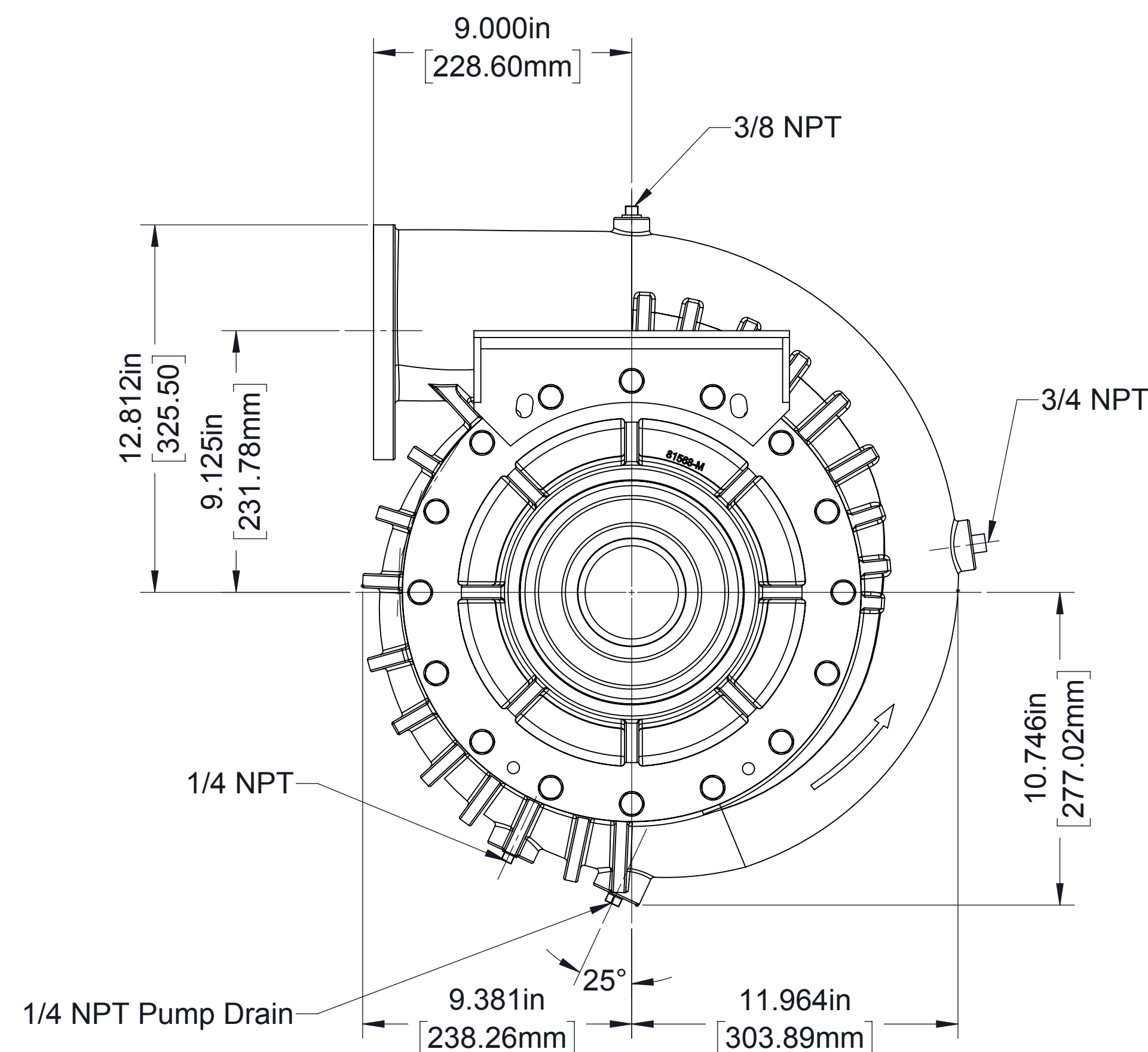
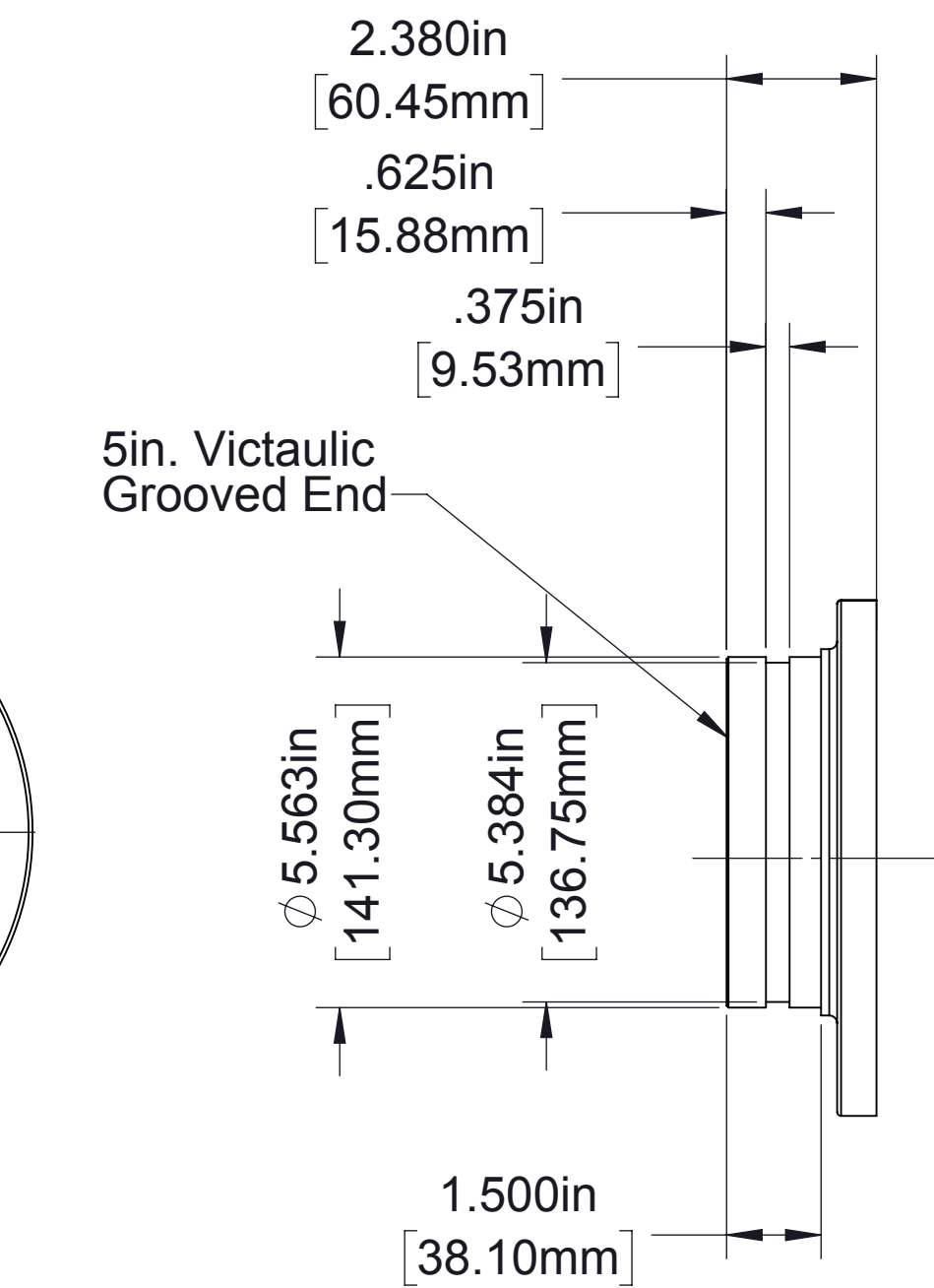
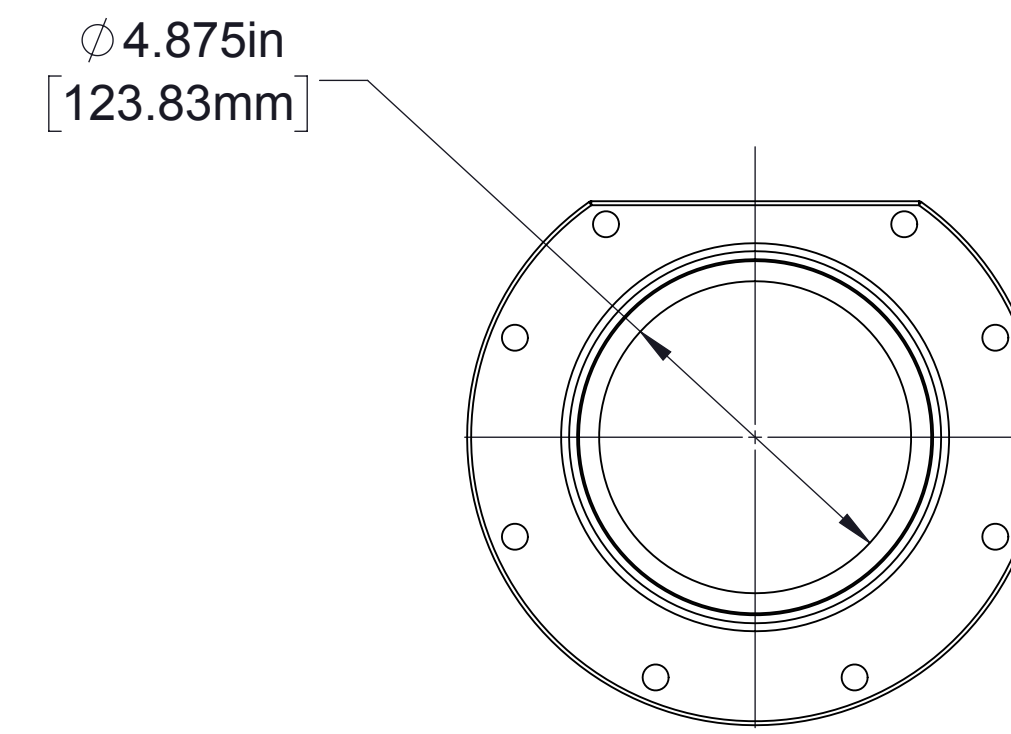


FIGURE 2  
Left  
(Formerly Labeled Horizontal)



Optional 5 in. Victaulic  
Discharge Adapter

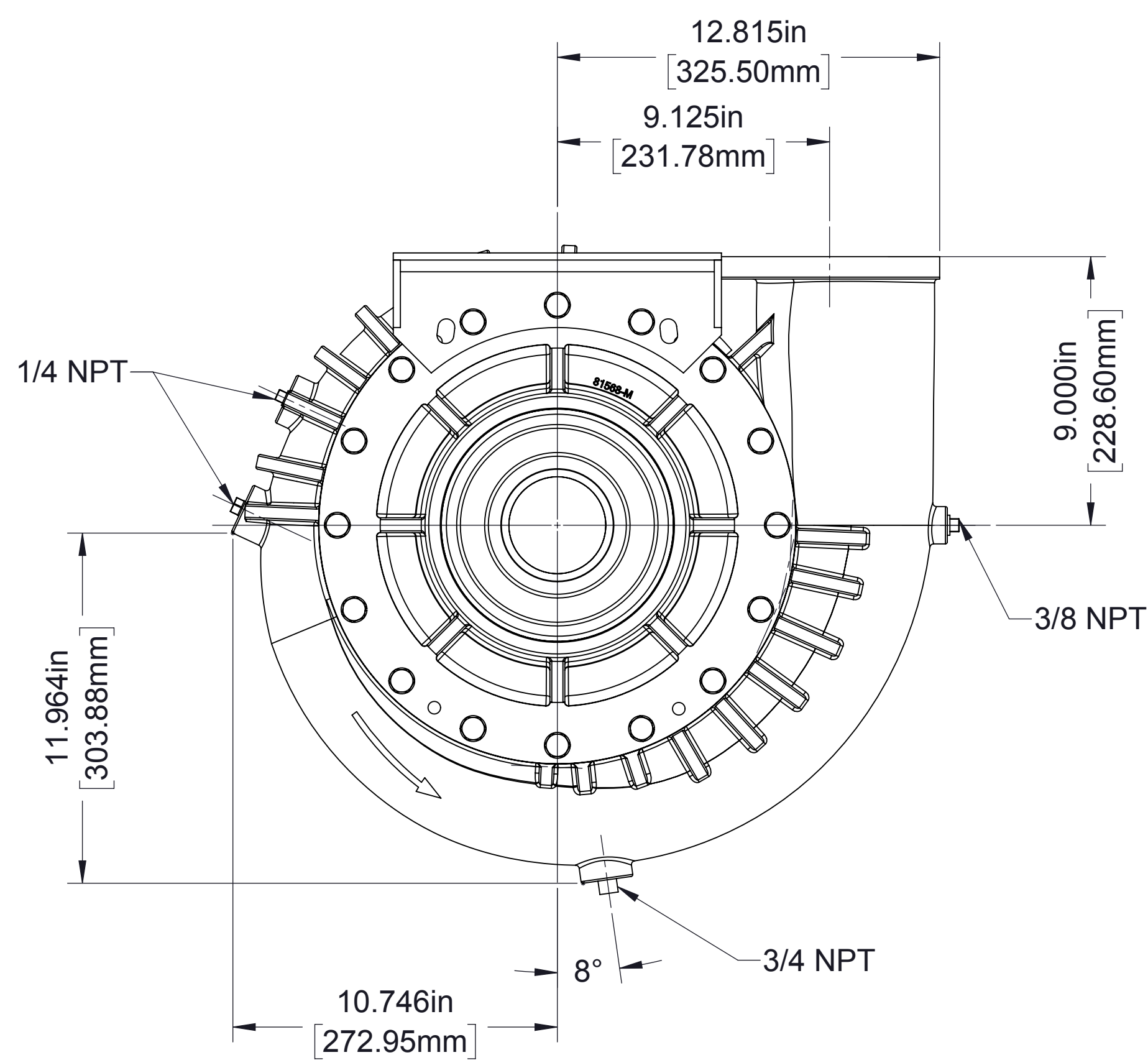


FIGURE 3  
Up  
(Formerly Labeled Vertical)

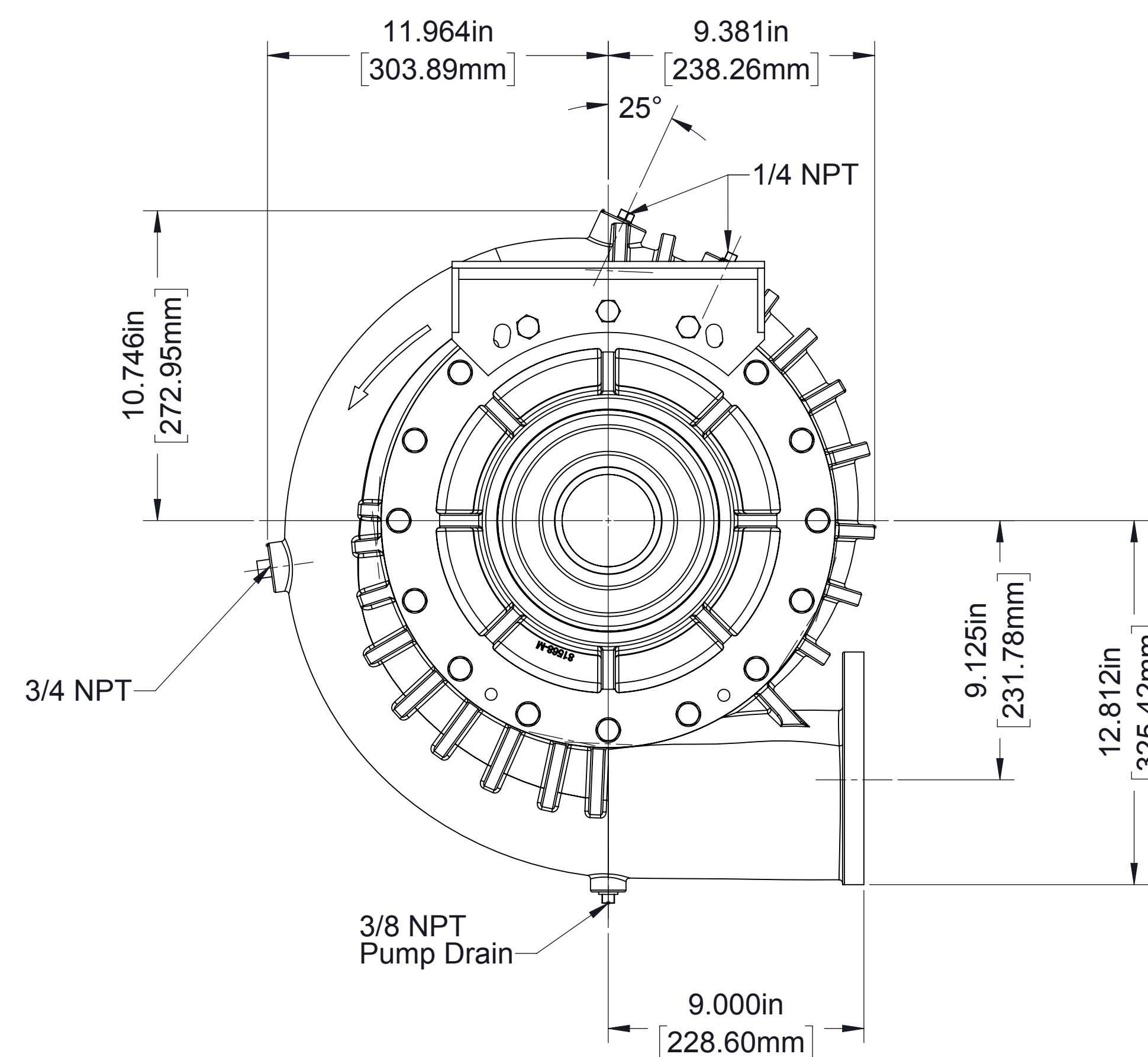


FIGURE 4  
Right

Available Discharge Positions Viewed From Intake Side (Note Clockwise Input Only Available)

## Ordering Information:

When Ordering, Supply The Following Information:

1. Basic Assembly Number: 81747.

2. Suffixes Which Indicate Mounting Bracket Positions And Discharge Position:

