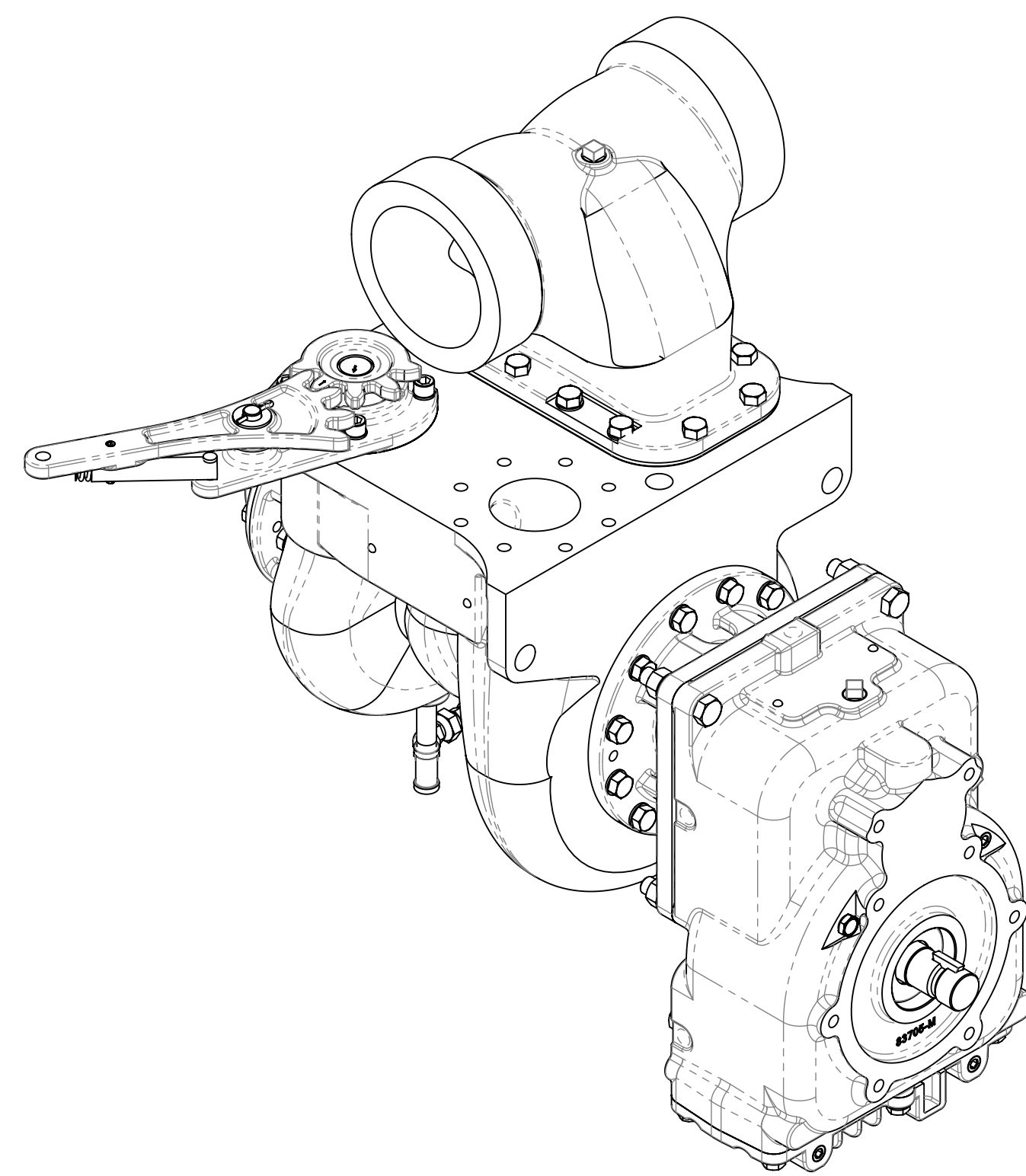
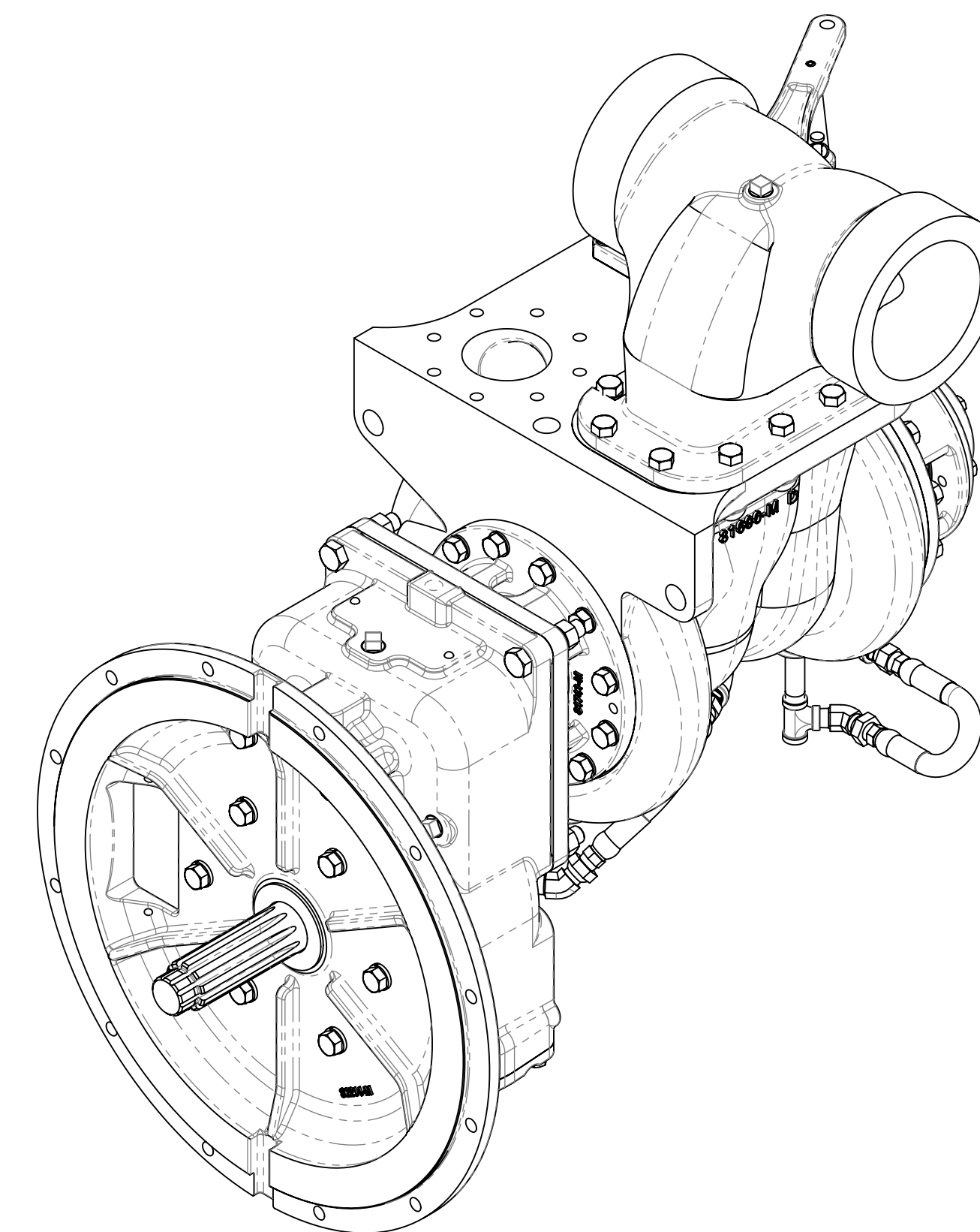


Dimensional Drawing For CP-3 Series Fire Pumps

Pump Series	Drive		Pump Model	See Page				
	Transmission Models	Input Rotation		Basic Pump Dimensions	Pump and Transmission Dimensions	Transfer Valve	Optional Discharge Fittings	Transmission Mounting Positions
CP-3	K Series Two Gear Increaser, (No Clutch)	CW Or CCW	CPK-3	2	3	6	7	8
	K Series Two Gear Increaser, Hydraulic Input, (No Clutch)	CW Or CCW	CPK-3		4			
	T Series Two Gear Increaser, Direct Engine Mount	CW Or CCW	CPT-3		5			

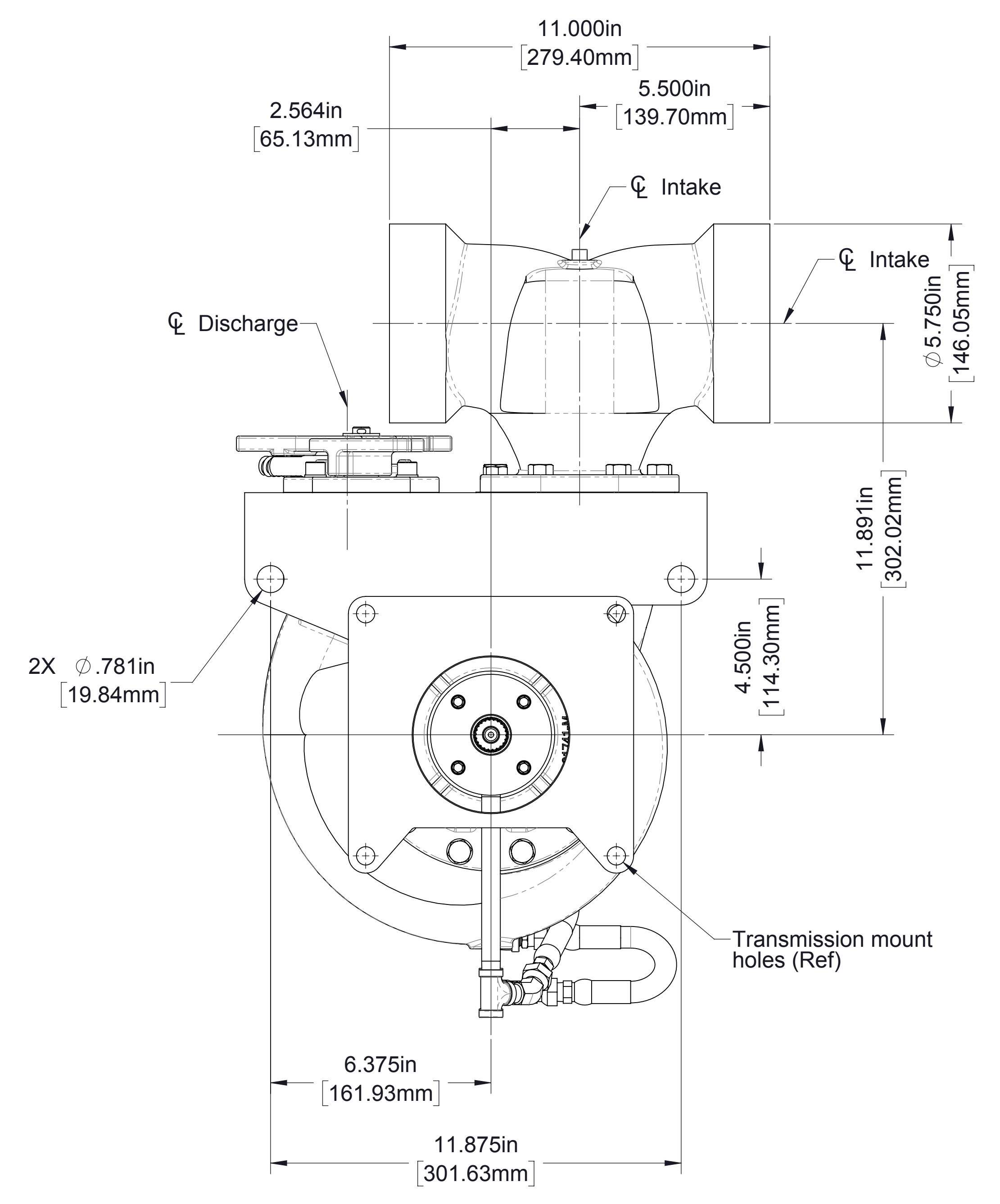
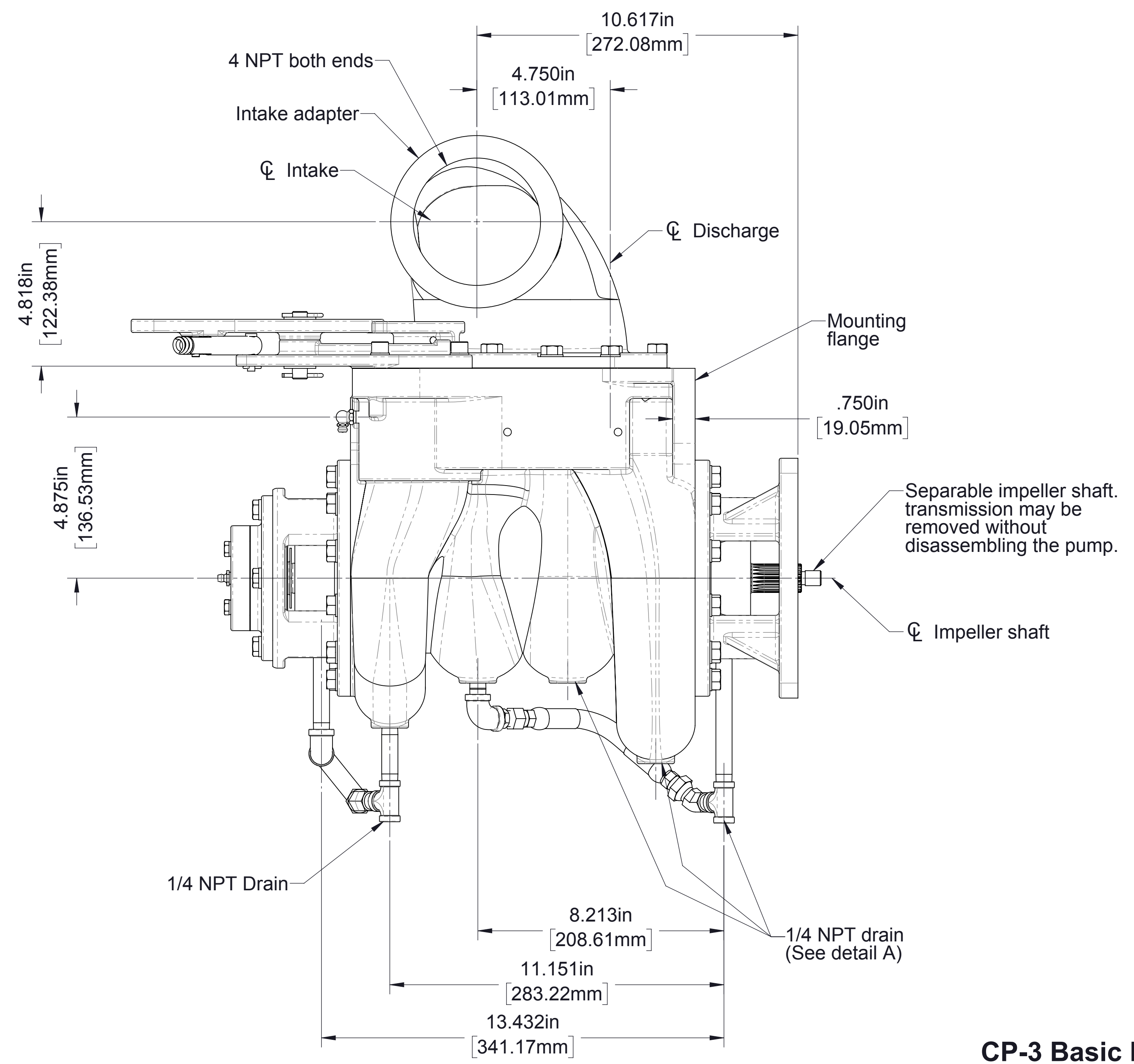
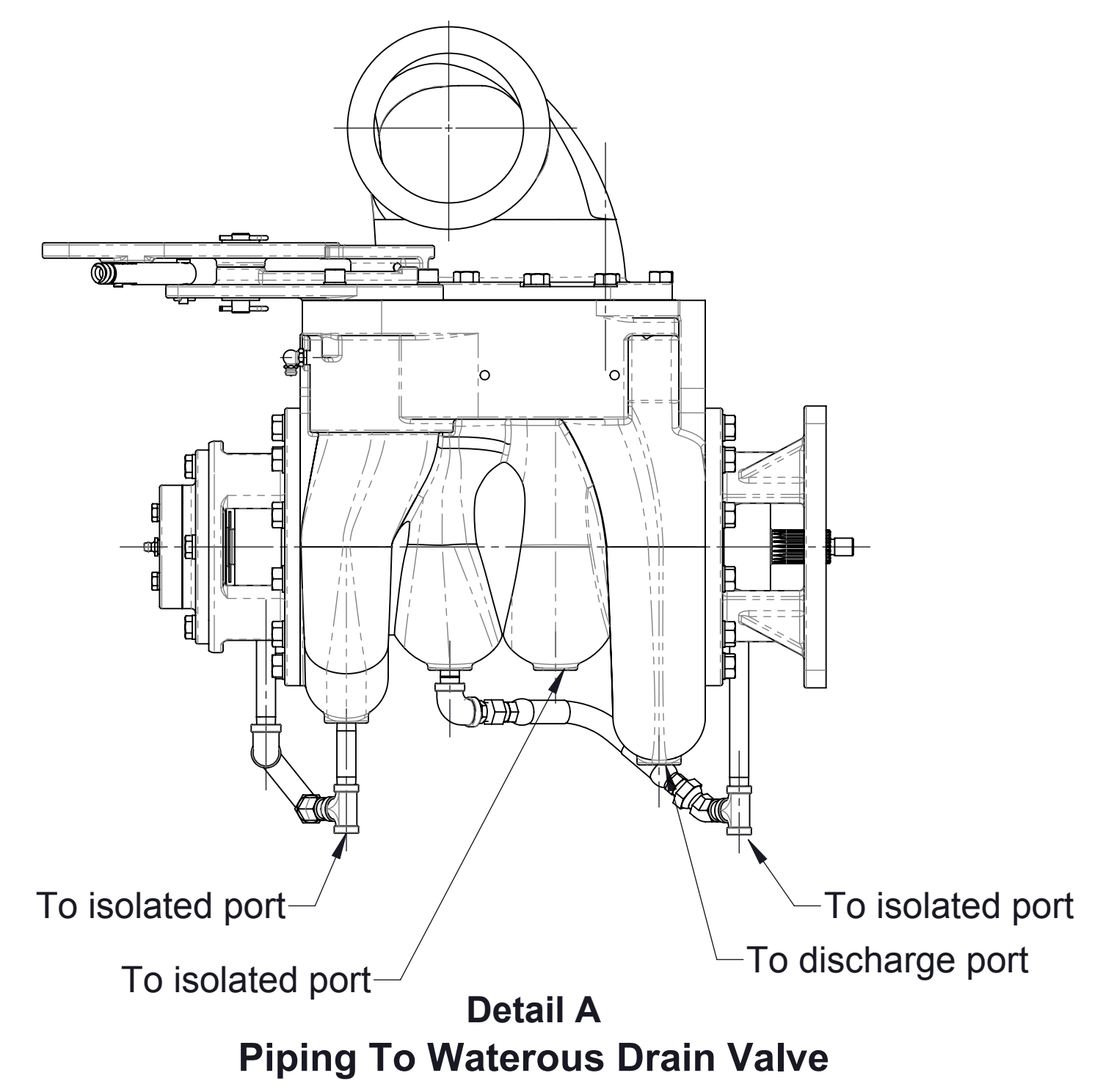
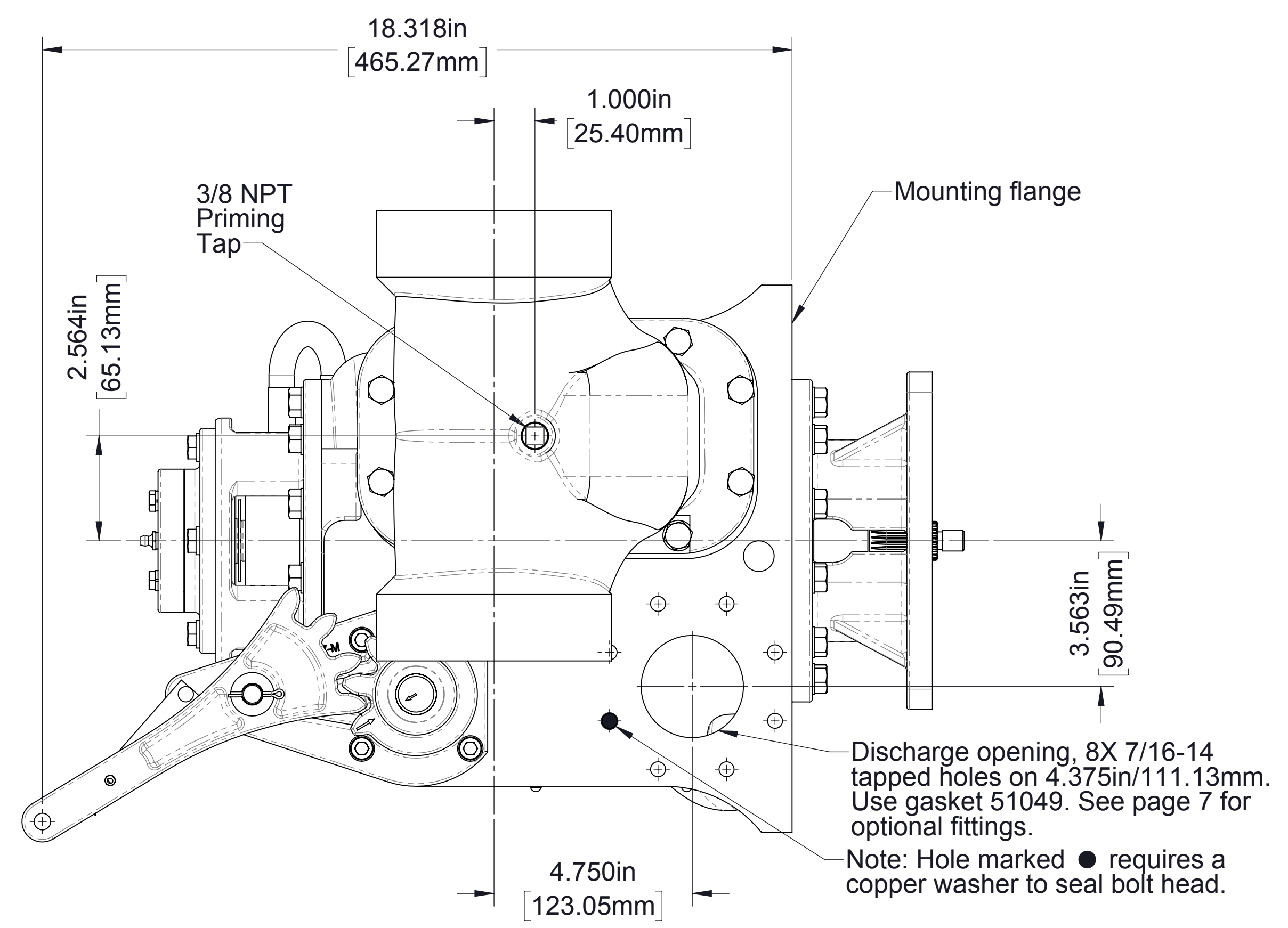


CPK-3

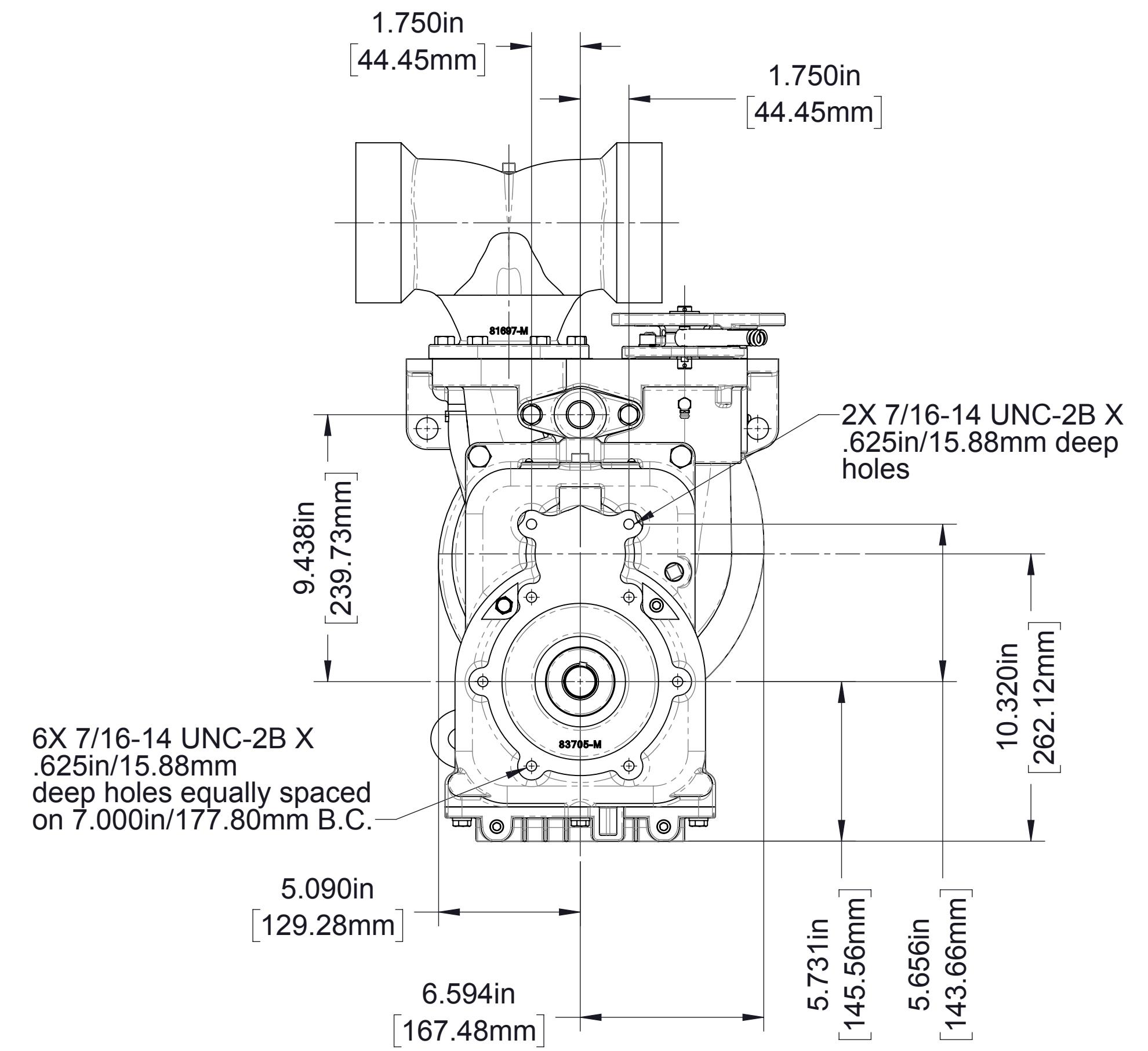
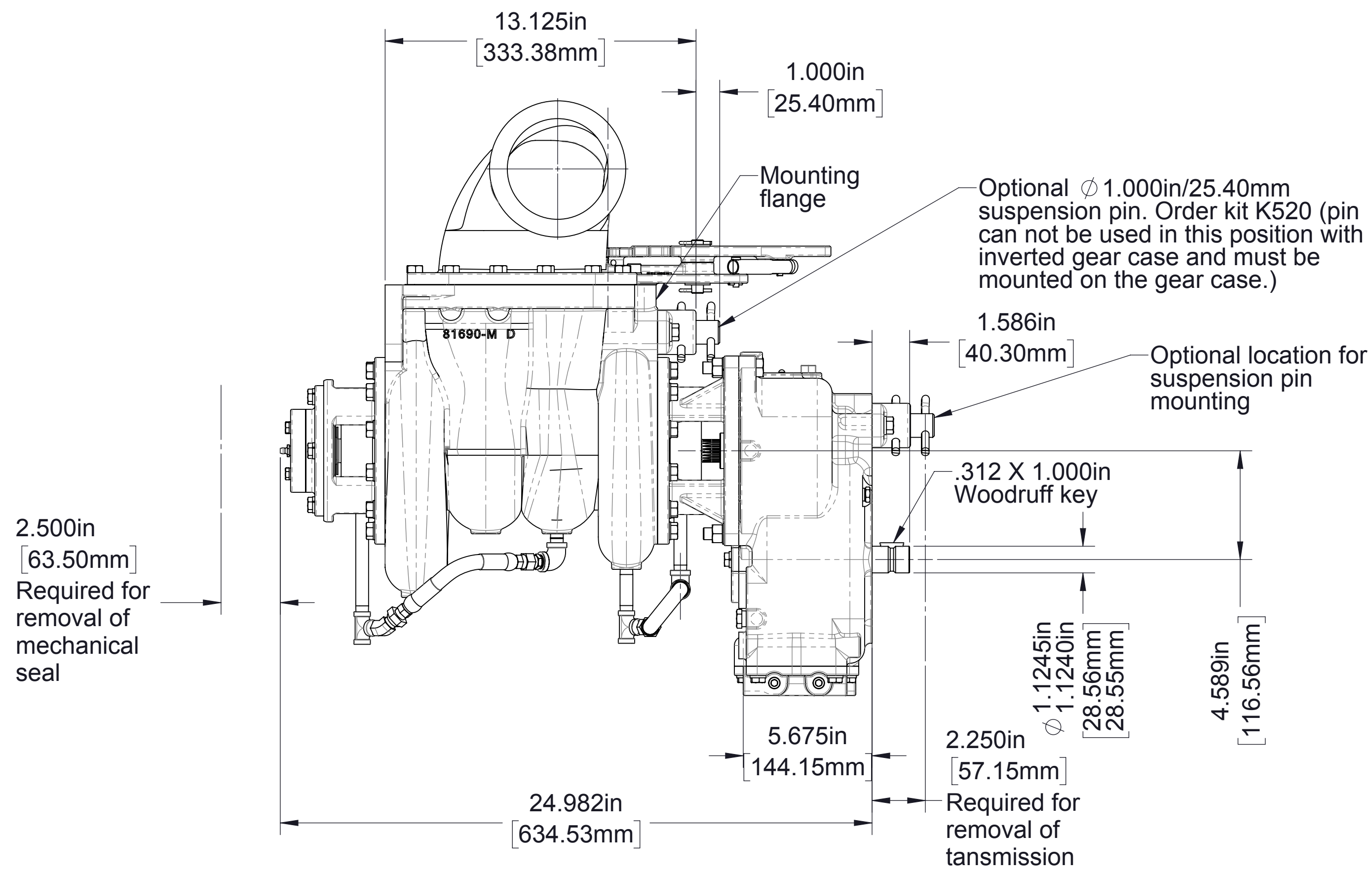


CPT-3

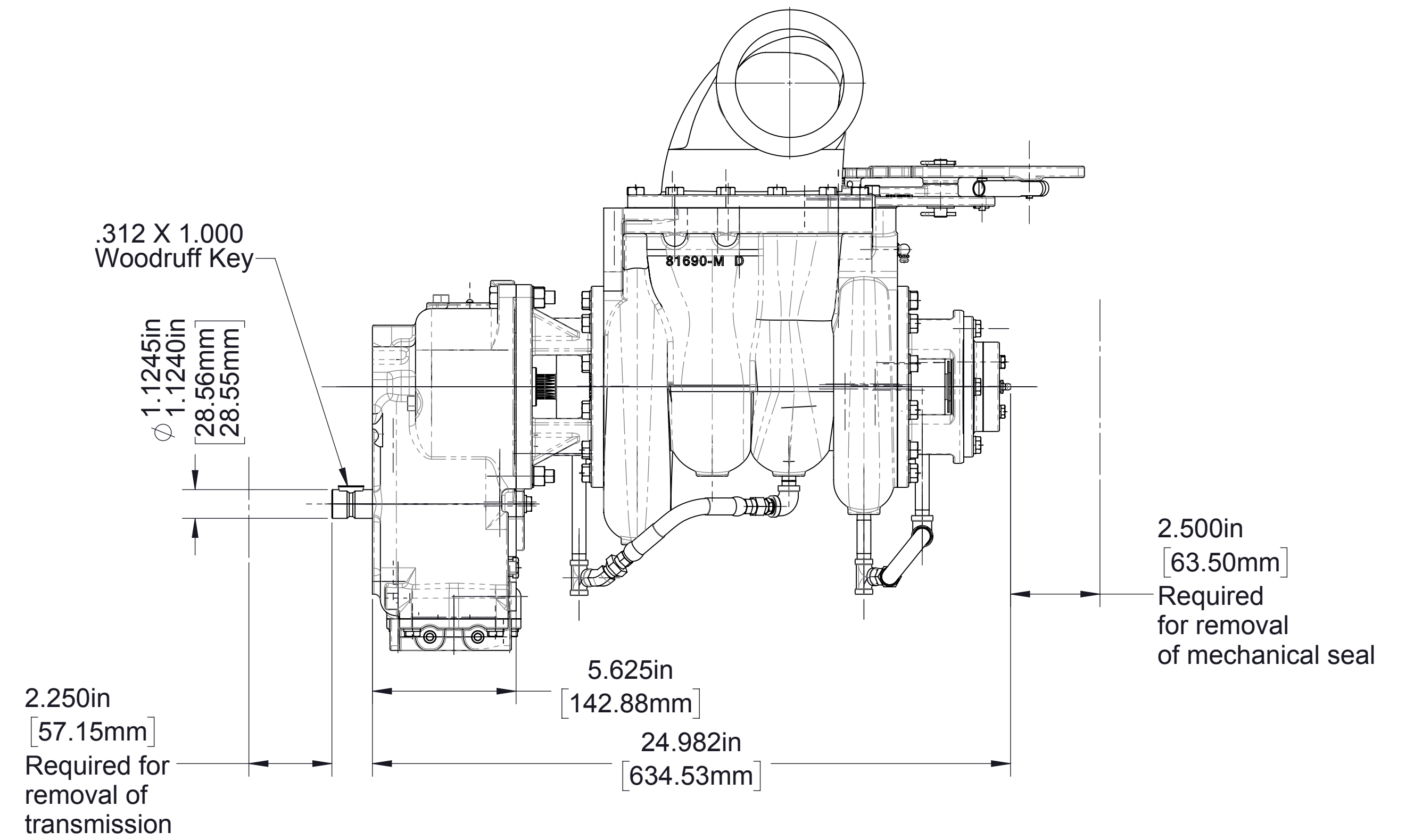
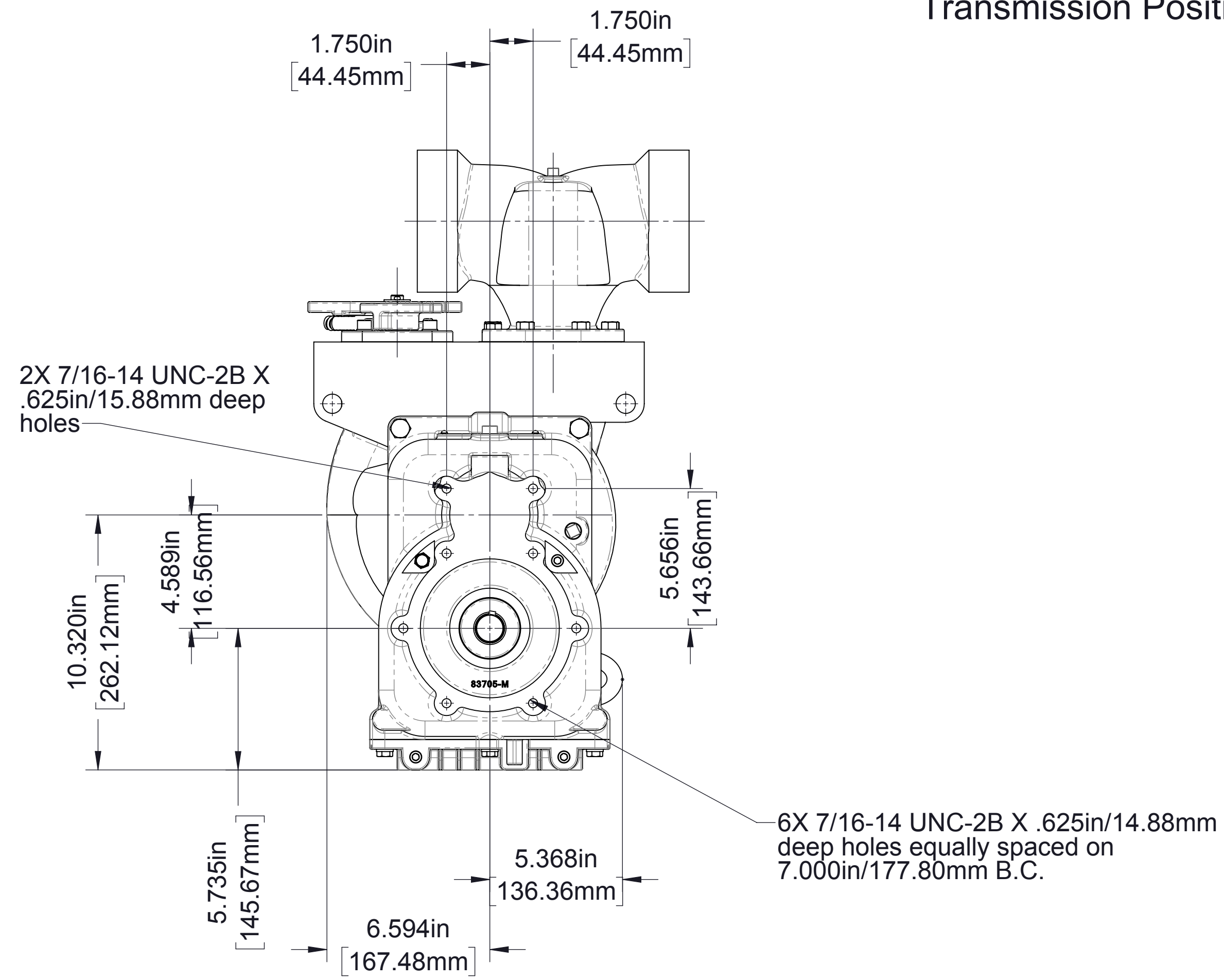
Note: Pump must be installed in accordance with Waterous installation instructions.



CP-3 Basic Pump Dimensions

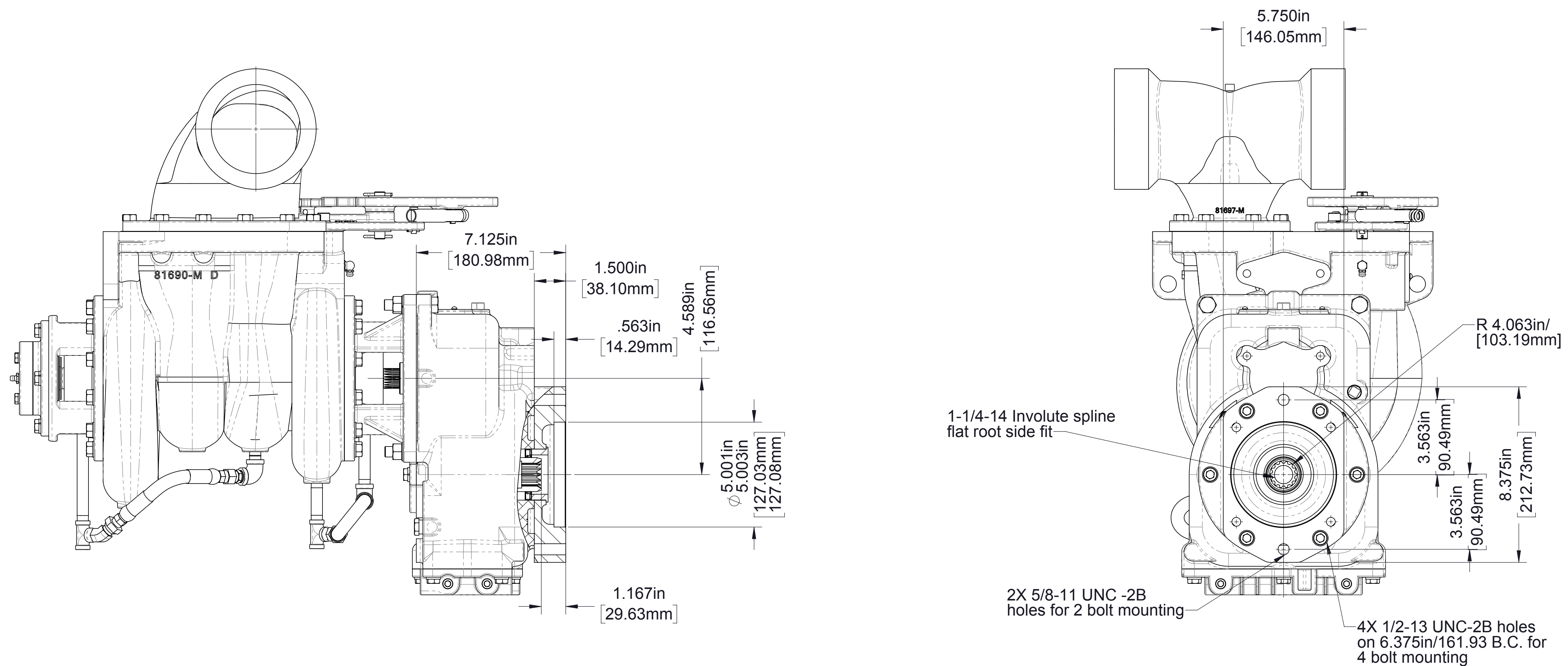


Transmission Position For Clockwise Drive Shaft Rotation (Input)

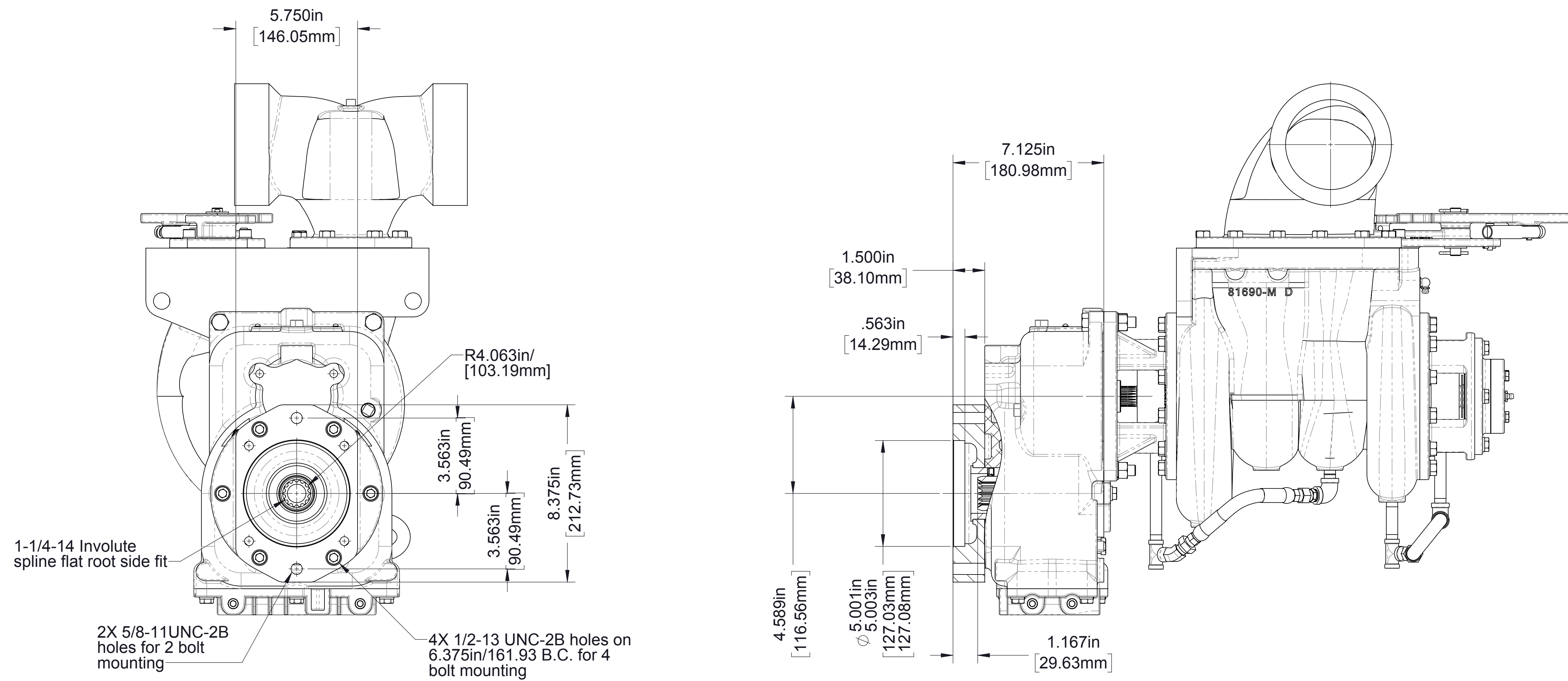


Transmission Position For Counterclockwise Drive Shaft Rotation (Input)

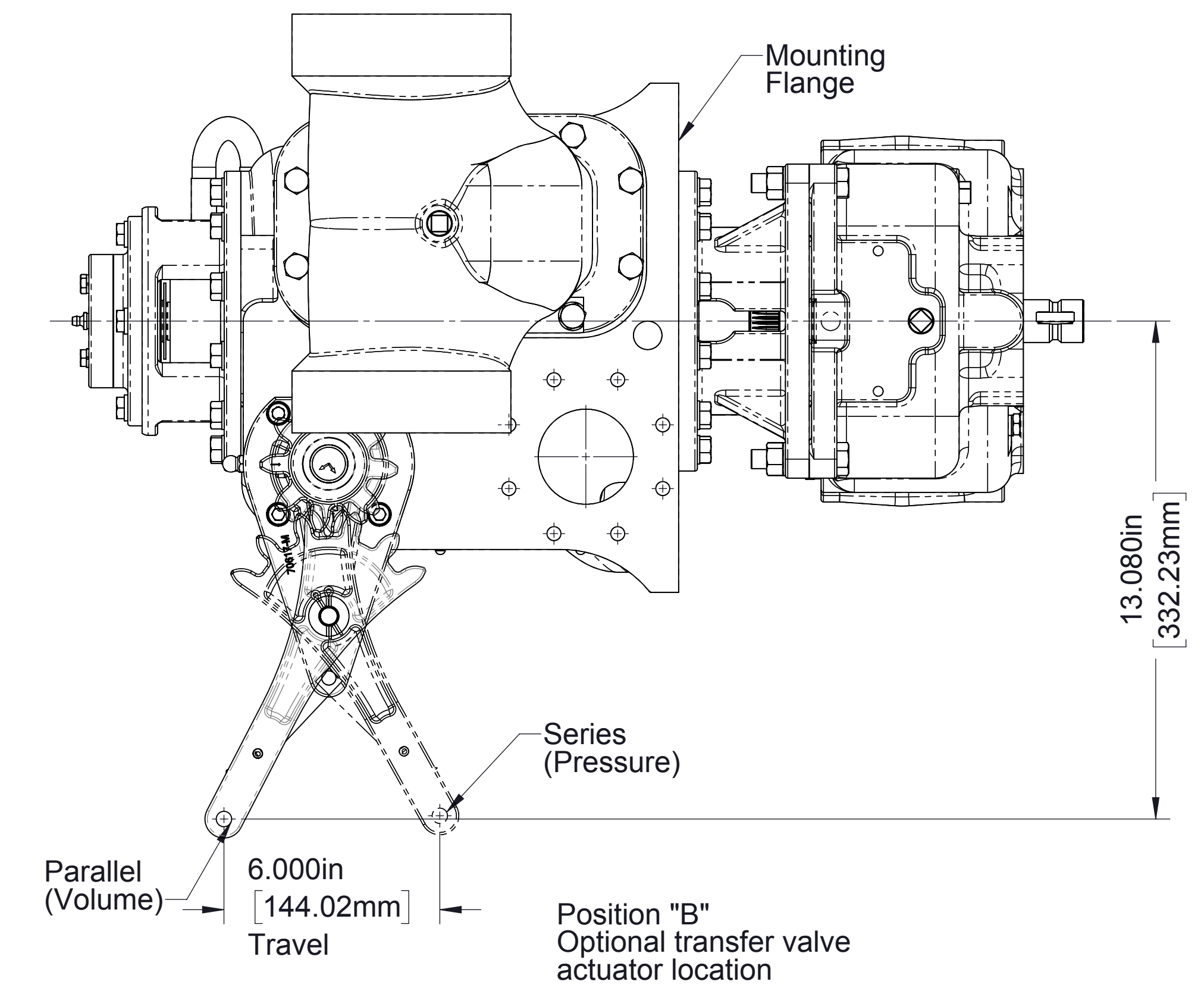
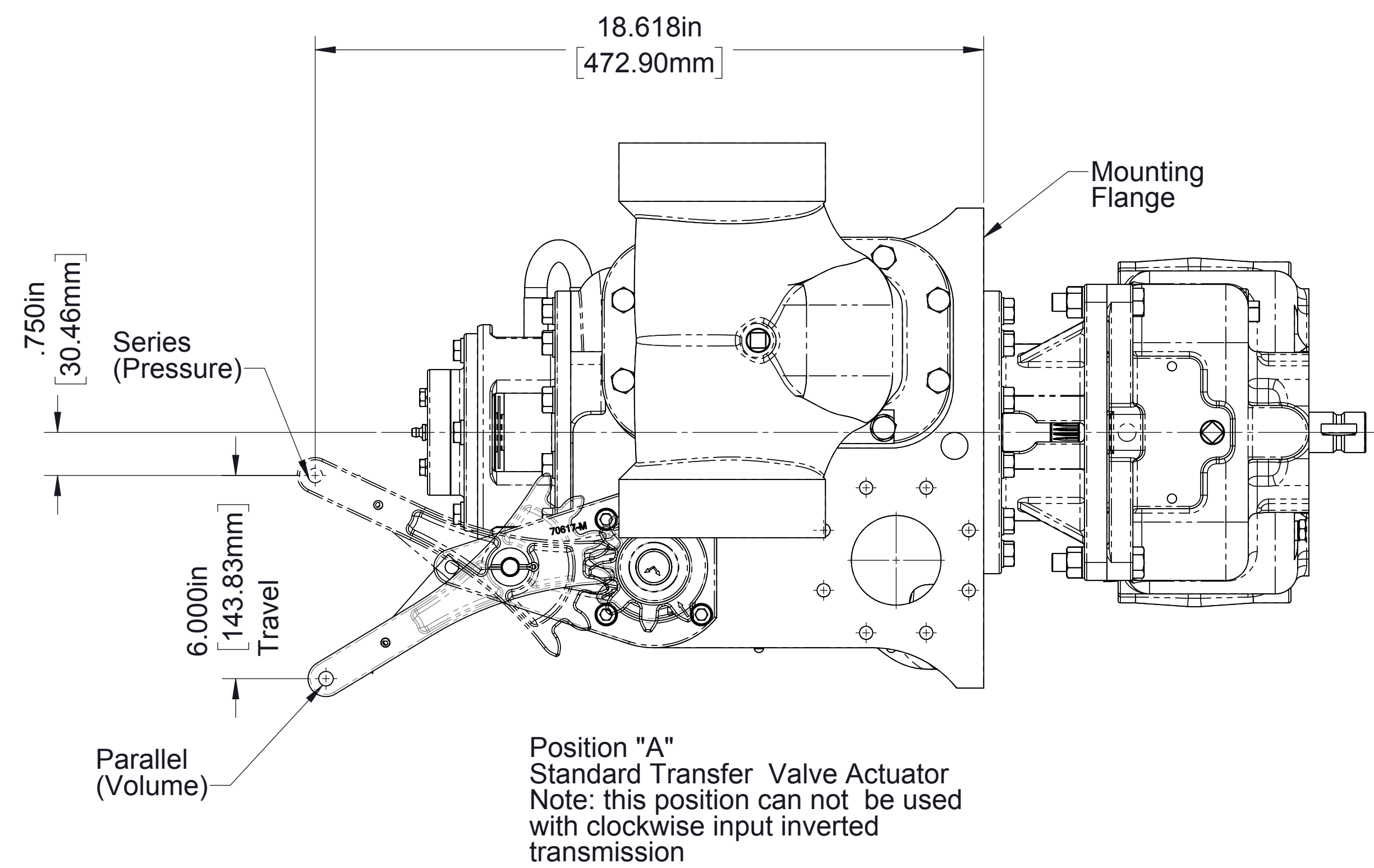
Model CPK-3
 Medium Duty K Transmission
 Available In Any Mounting
 Position



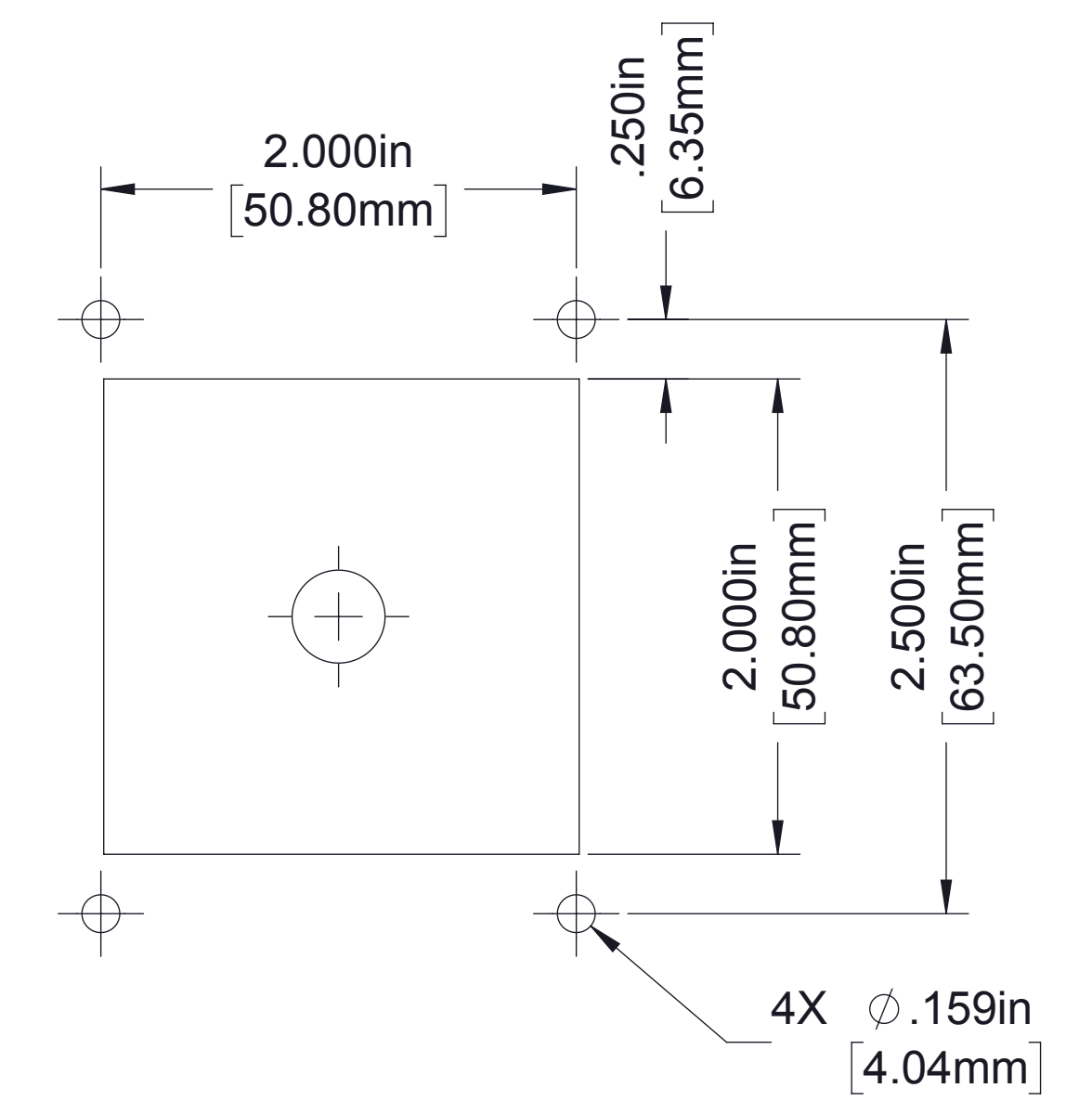
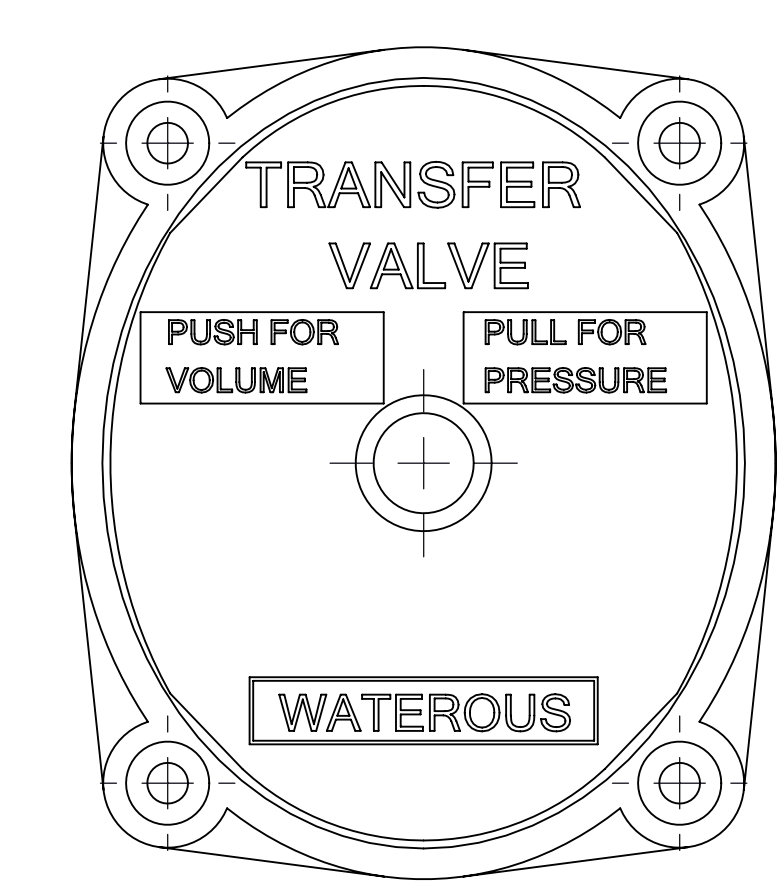
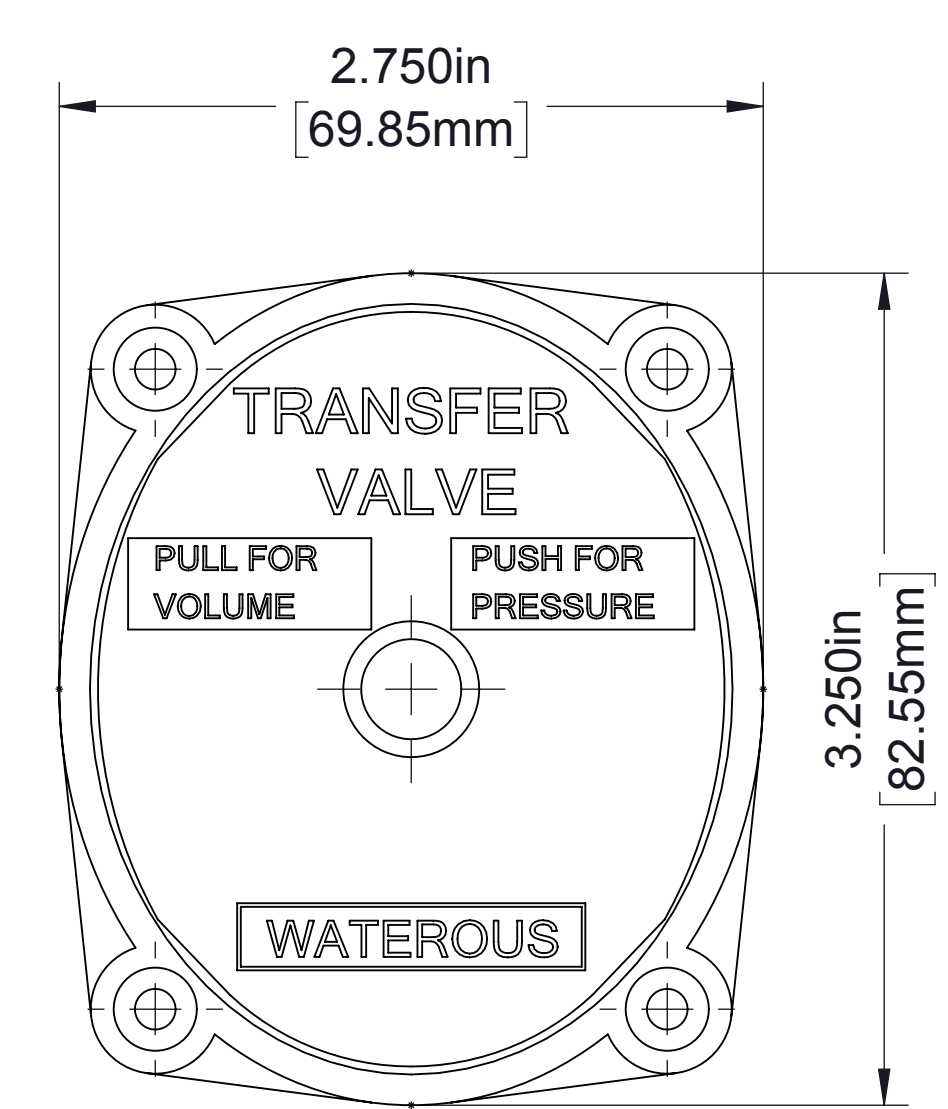
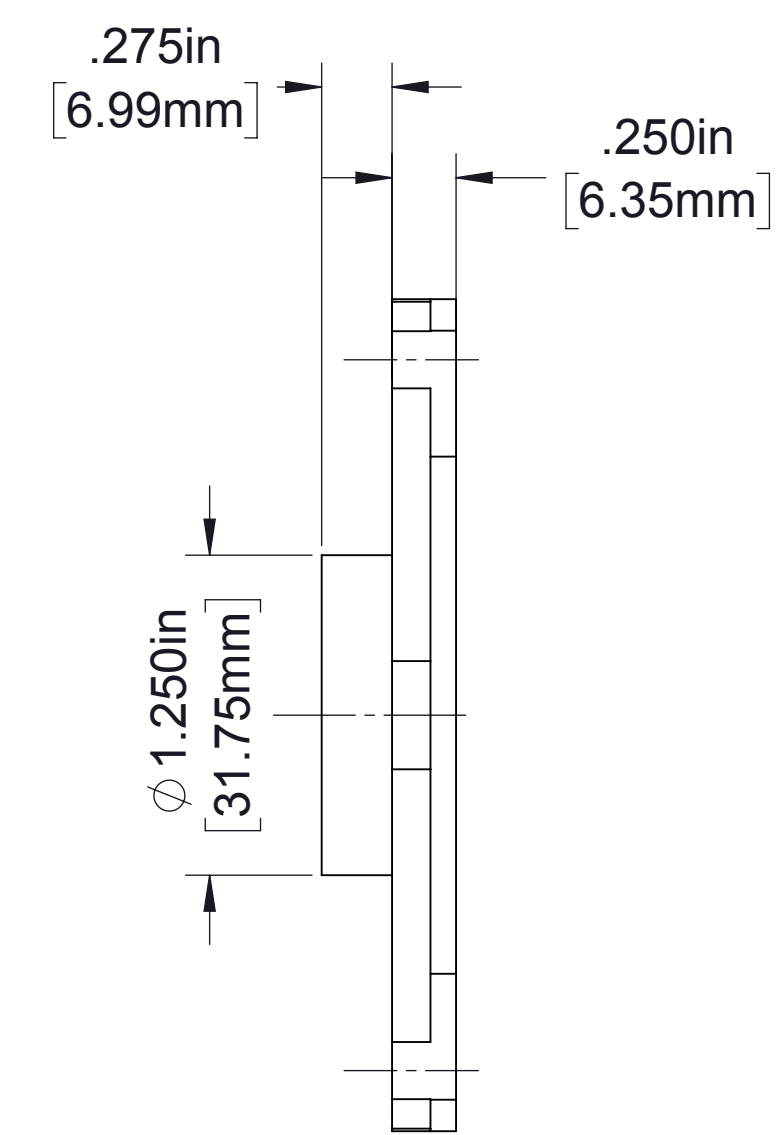
Option SAE Class "C" 2 or 4 Bolt Hydraulic Motor Flange
(Clockwise rotation shown)



Option SAE Class "C" 2 or 4 Bolt Hydraulic Motor Flange
(Counterclockwise rotation shown)



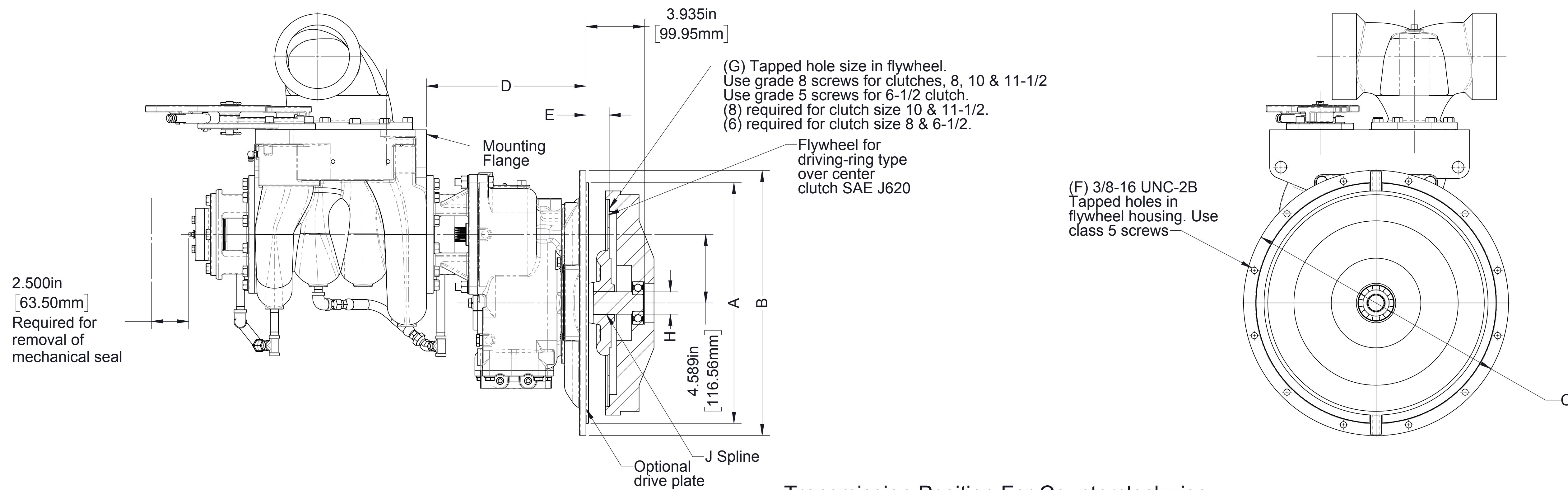
Transfer Valve Actuator Details



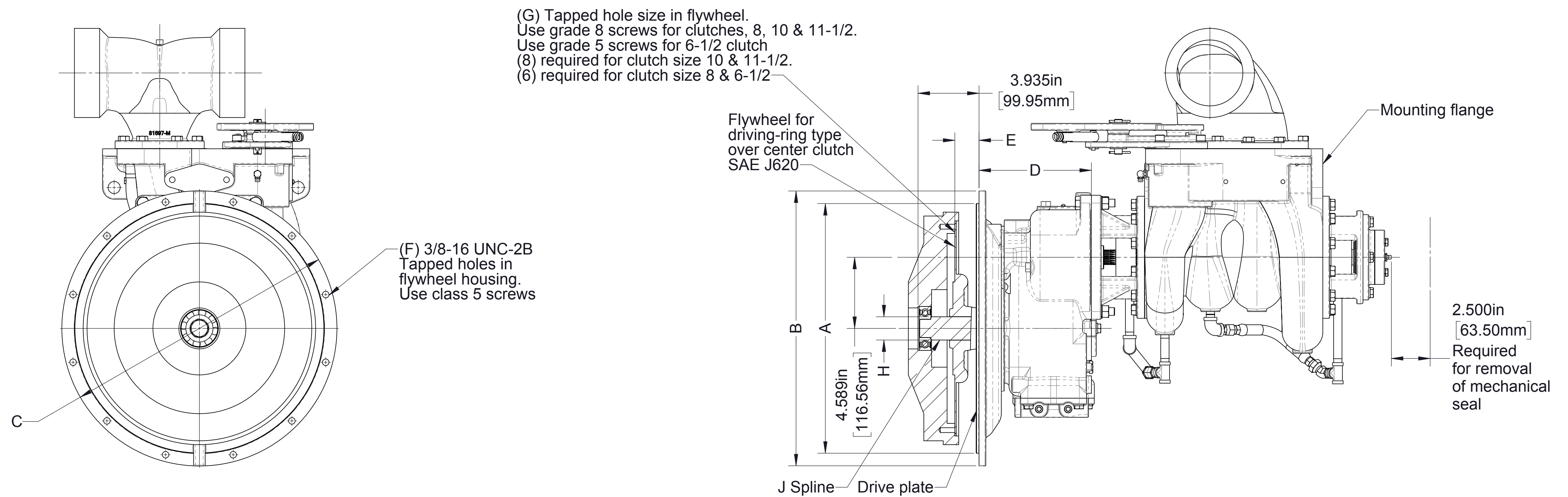
Panel Hole Layout

- Notes:
1. Depending on installation, either configuration is installed on panel.
 2. Control panel mounting hardware supplied by Waterous Company.

Transfer Valve Control Panel Detail



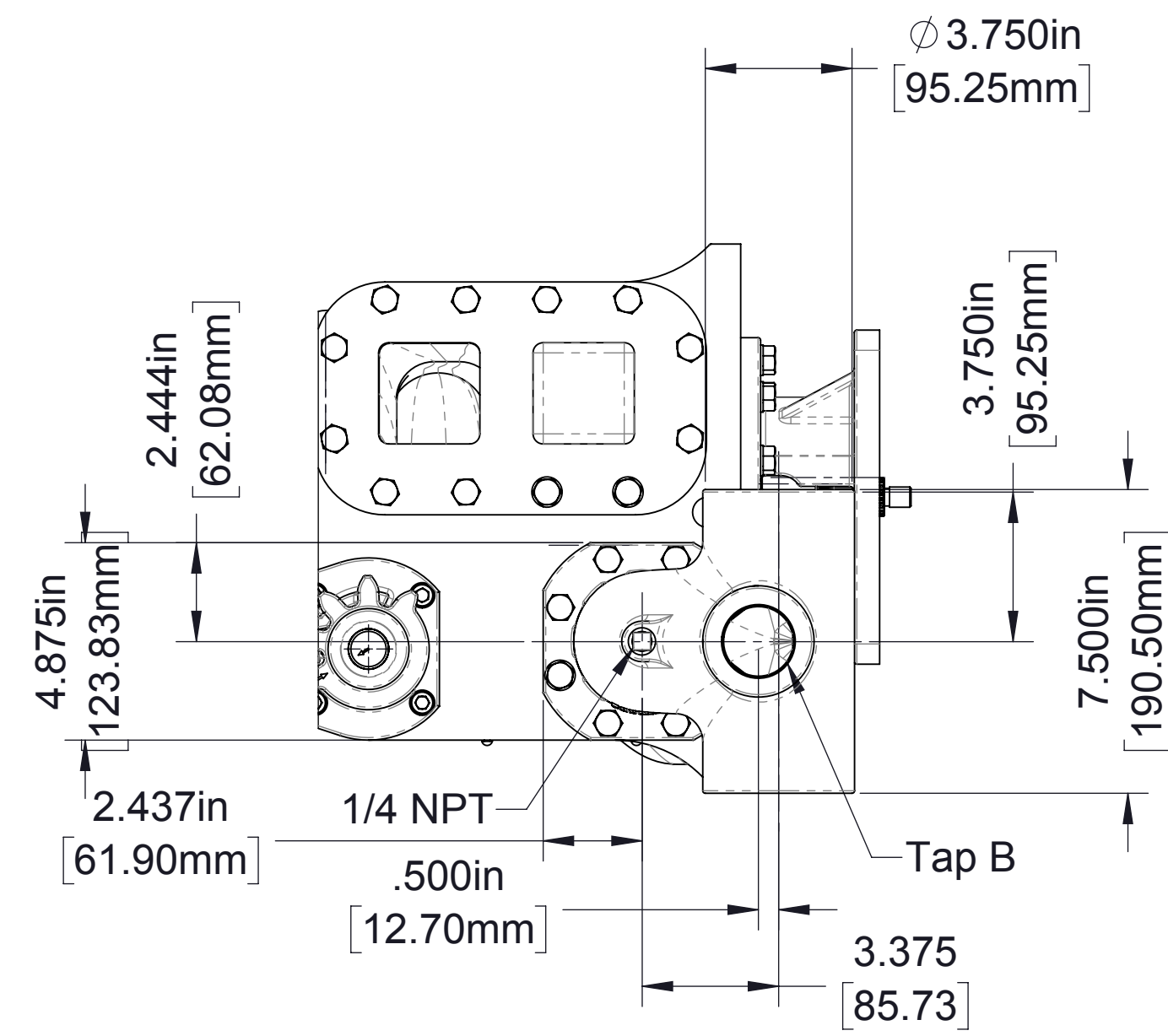
Transmission Position For Counterclockwise Drive Shaft Rotation



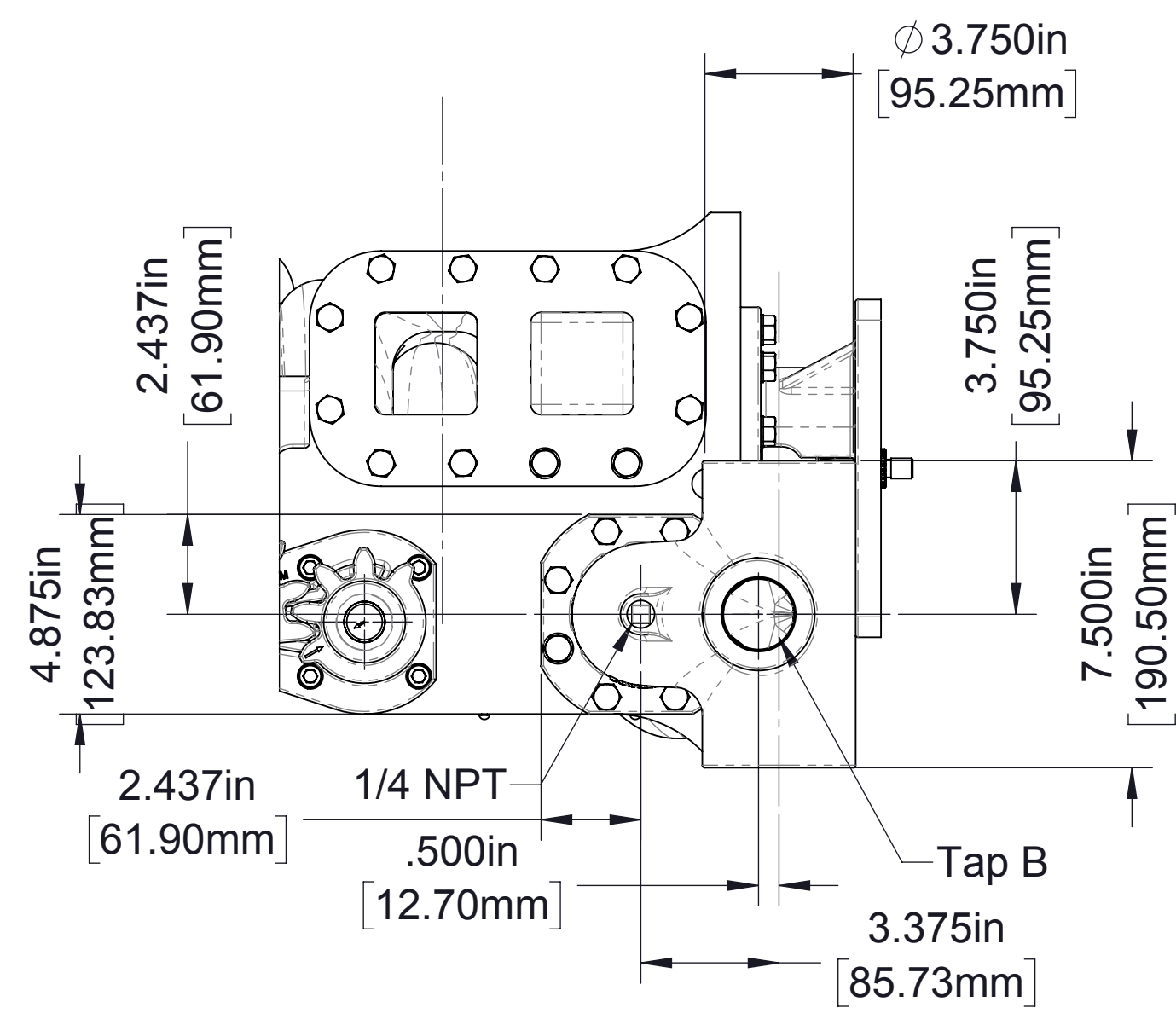
Transmission Position For Clockwise Drive Shaft Rotation

SAE Bellhousing					D	SAE Flywheel			Drive Plate		Drive Shaft	
Size	A	B	C	F		Cutch No.	E	G	Part No.	Torque Rating	H	J
3	16.125in 409.58mm	17.750in 450.85mm	16.875in 428.63mm	12	7.250in 184.15mm	10	2.12in 53.85mm	3/8-16	V 2272	850 FT-LB	∅1.1805in/1.8000in 29.98mm/29.97mm	1-1/2-10 SAE
4	14.250in 361.95mm	15.875in 403.23mm	15.000in 381.00mm						V 2461	425 FT-LB		
3	16.125in 409.58mm	17.750in 450.85mm	16.875in 428.63mm						V 2852	N/A		
4	14.250in 361.95mm	15.875in 403.23mm	15.000in 381.00mm	8	6.250in 158.75mm	6-1/2	1.19in 30.23mm	5/16-18	V 2865	N/A	∅.7868in/.7858in 19.98mm/19.96mm	1-15T Involute
5	12.375in 314.33mm	14.000in 355.60mm	13.125in 333.38mm						8	6-1/2	1.19in 30.23mm	5/16-18

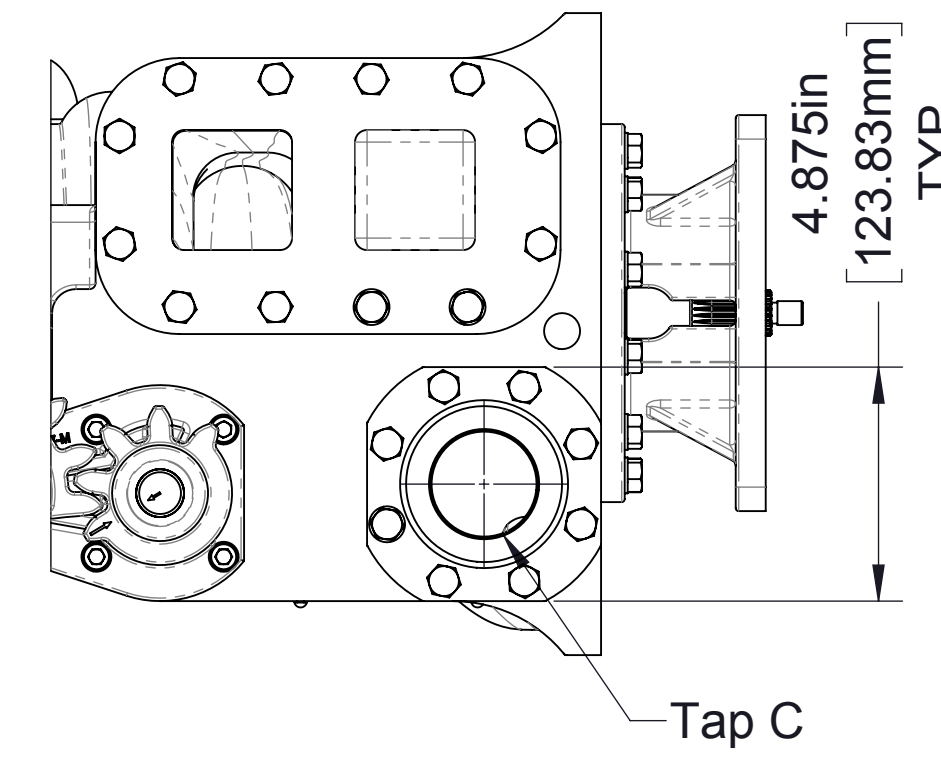
Model CPT-3 Medium Duty T Transmission Available Mounting Positions (Vertical Mounting Position Shown)



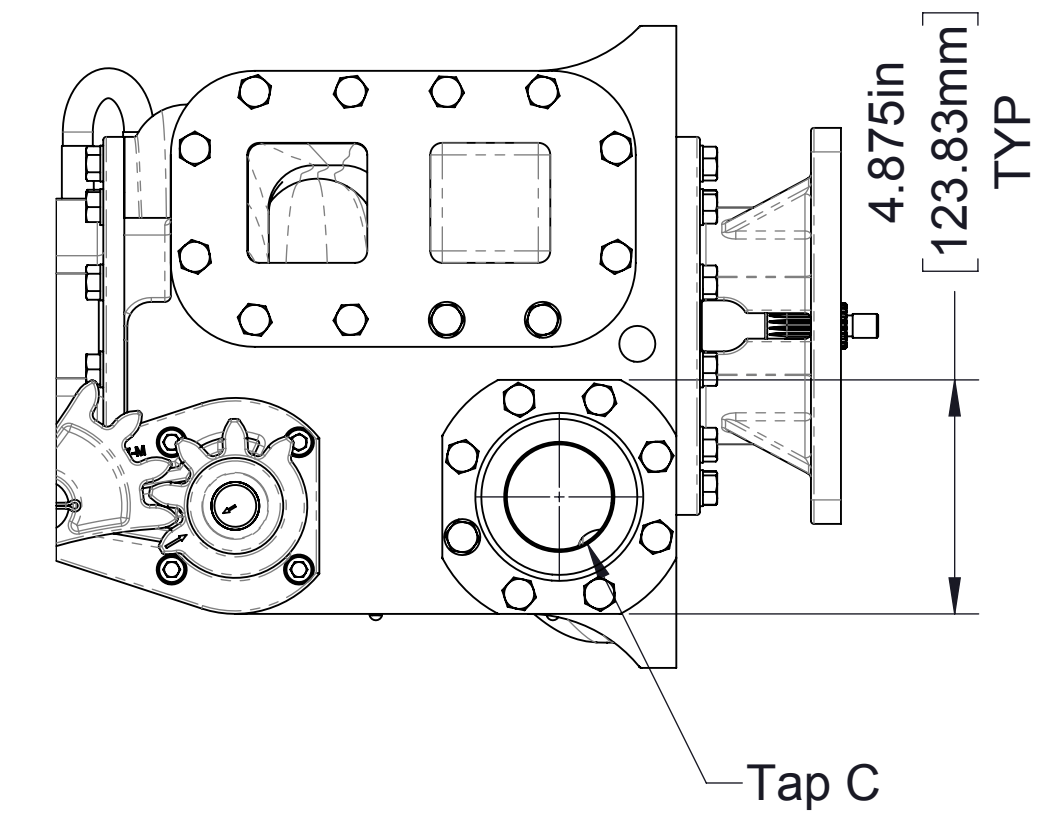
Configuration A
Discharge adapter with extension



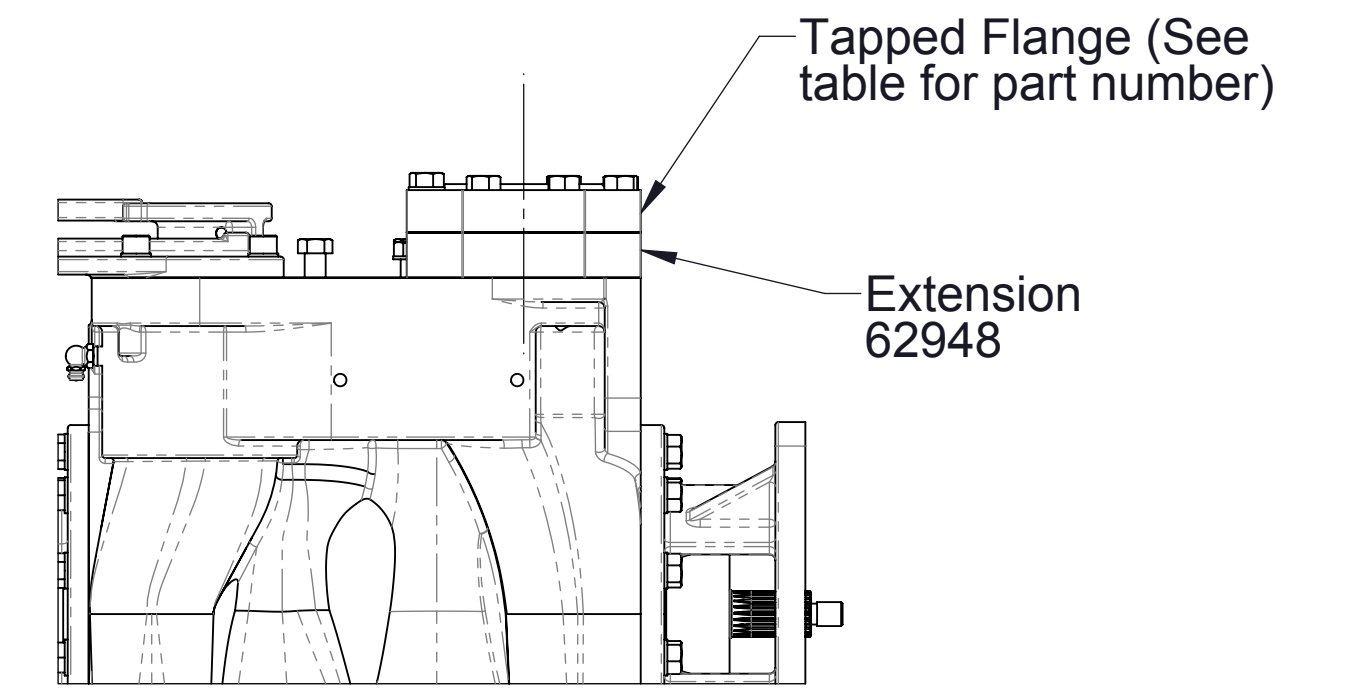
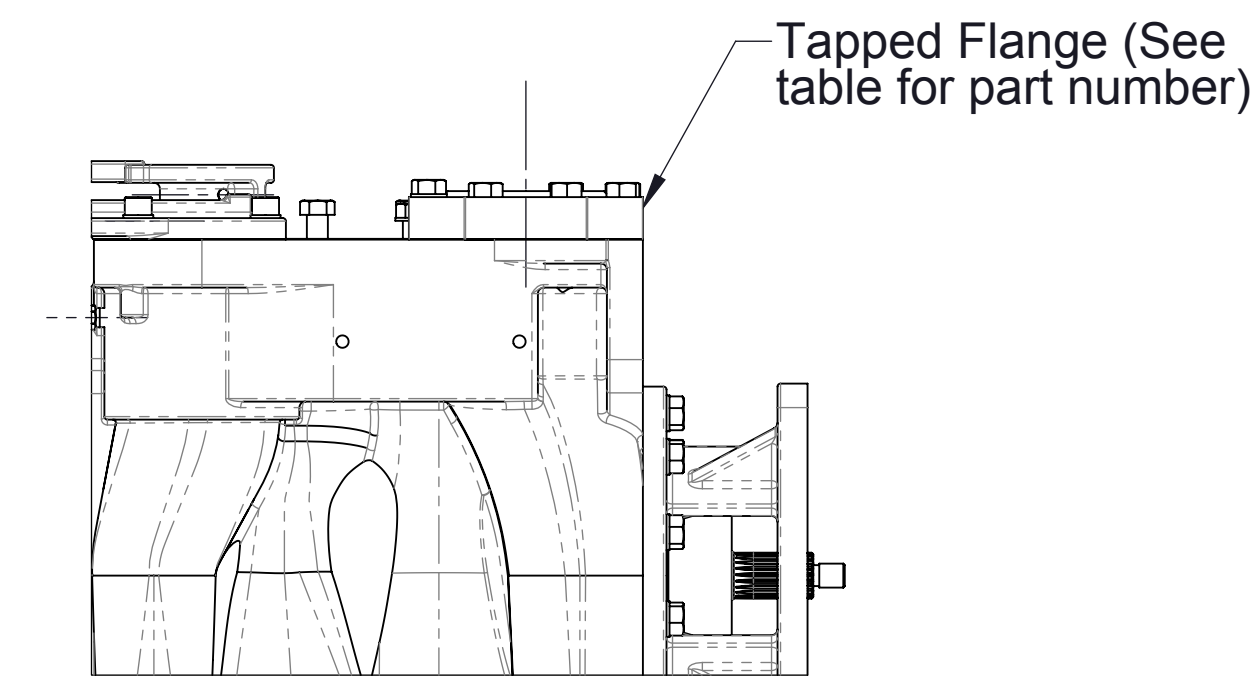
Configuration B
Discharge adapter with extension



Configuration C
Tapped flange



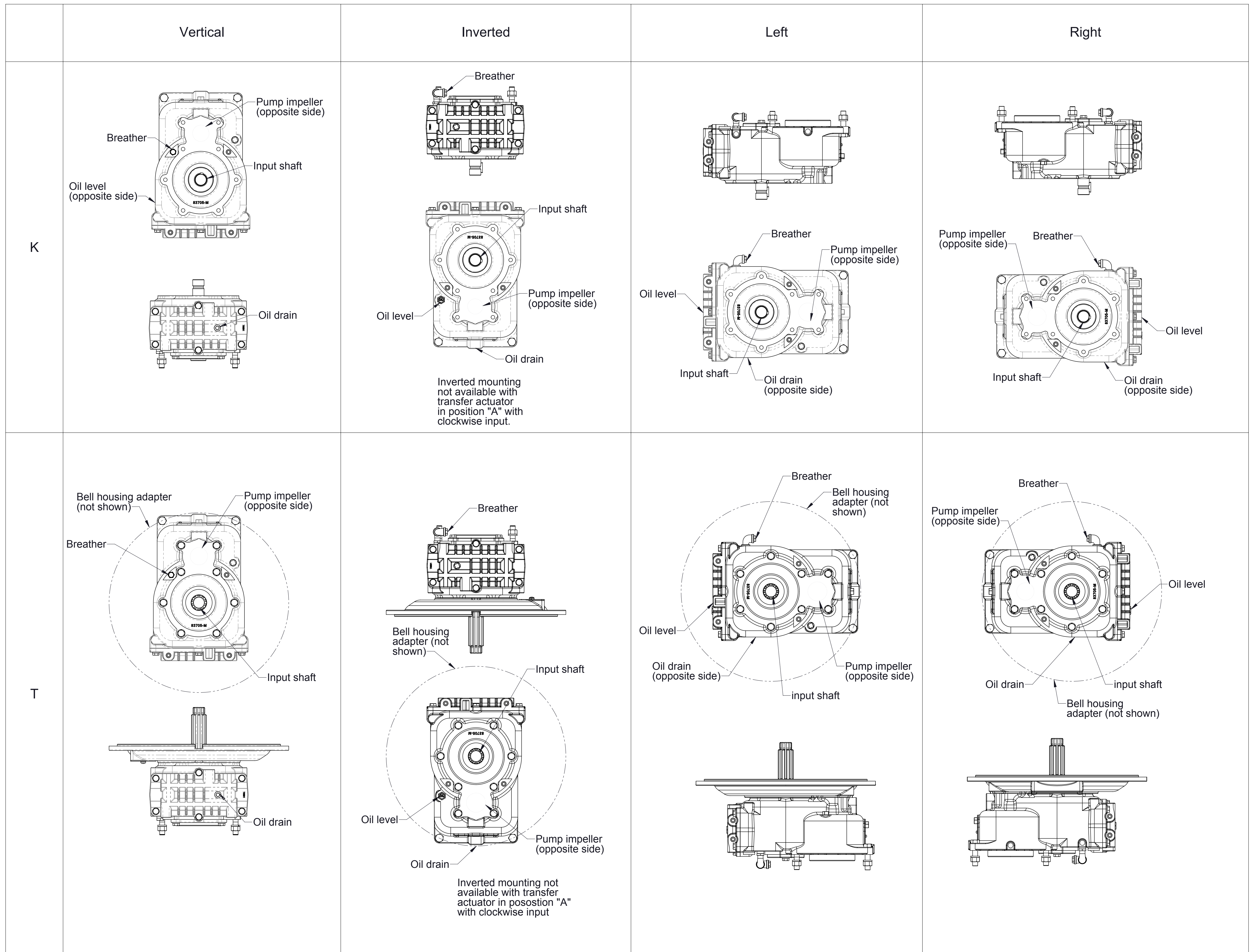
Configuration D
Discharge tapped flange with extension



Discharge Configuration	Tap A	Tap B	Tap C	Order Fitting		
				Adapter	Tapped Flange	Extension
A (Adapter)	2 In. NPT	-	-	70615	-	-
	2-1/2 In. NPT	-	-	70615-1	-	-
	2 In. NPT	1-1/2 In. NPT	-	70615-2	-	-
	2-1/2 In. NPT	1-1/2 In. NPT	-	70615-3	-	-
B (Adapter With Extension)	2 In. NPT	-	-	70615	-	62948
	2-1/2 In. NPT	-	-	70615-1	-	62948
	2 In. NPT	1-1/2 In. NPT	-	70615-2	-	62948
	2-1/2 In. NPT	1-1/2 In. NPT	-	70615-3	-	62948
C Tapped Flange	-	-	2 In. NPT	-	61293	-
	-	-	2-1/2 In. NPT	-	61293-1	-
D Tapped Flange With Extension	-	-	2 In. NPT	-	61293	62948
	-	-	2-1/2 In. NPT	-	61293-1	62948
Blank Customer To Furnish Fitting	-	-	-	-	-	-

Note:
1. Specify fitting part numbers required from table, or discharge may be ordered blank if customer furnishes the fitting.

Optional Discharge Fittings



Note:
 1. Available transmission mounting positions clockwise rotations shown.
 Mounting positions also apply to counterclockwise rotations.

Transmission Mounting Positions