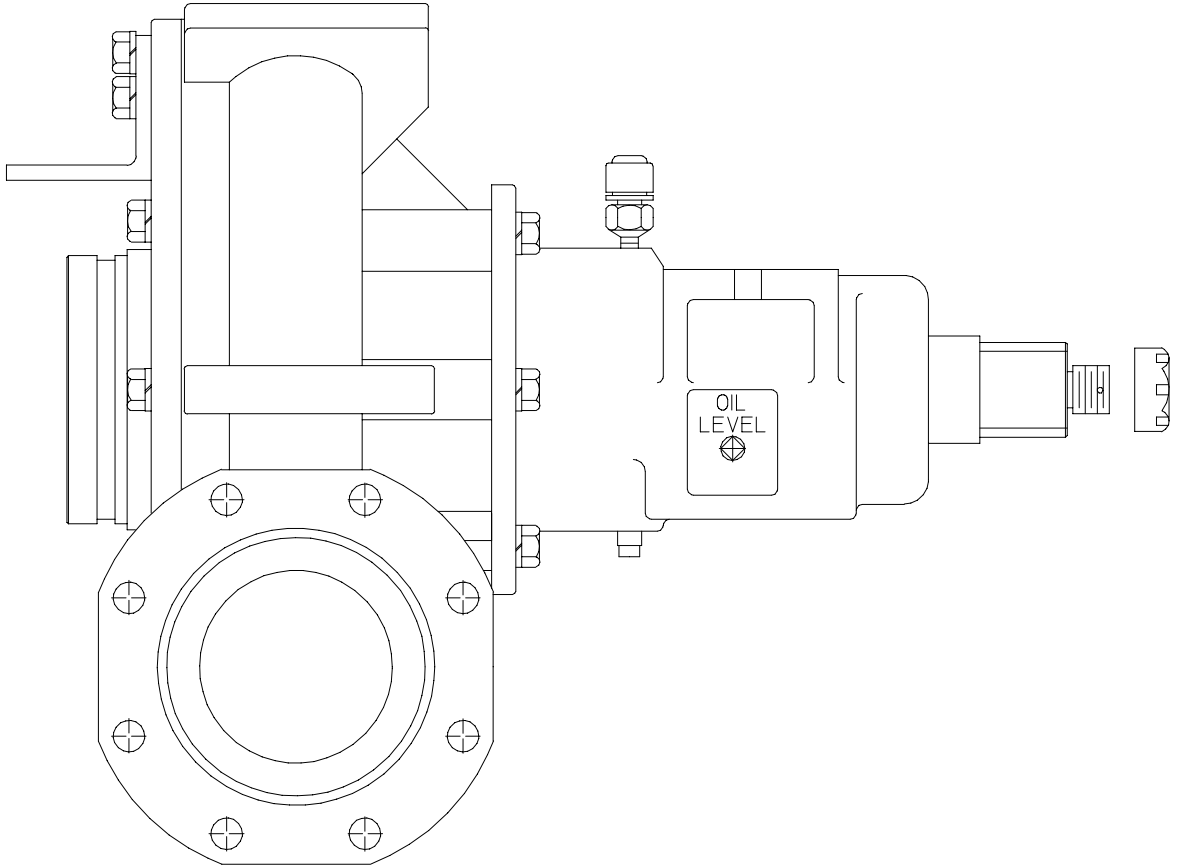


**Dimensional Drawings for CZ Series Fire Pumps
(For Government Orders)**



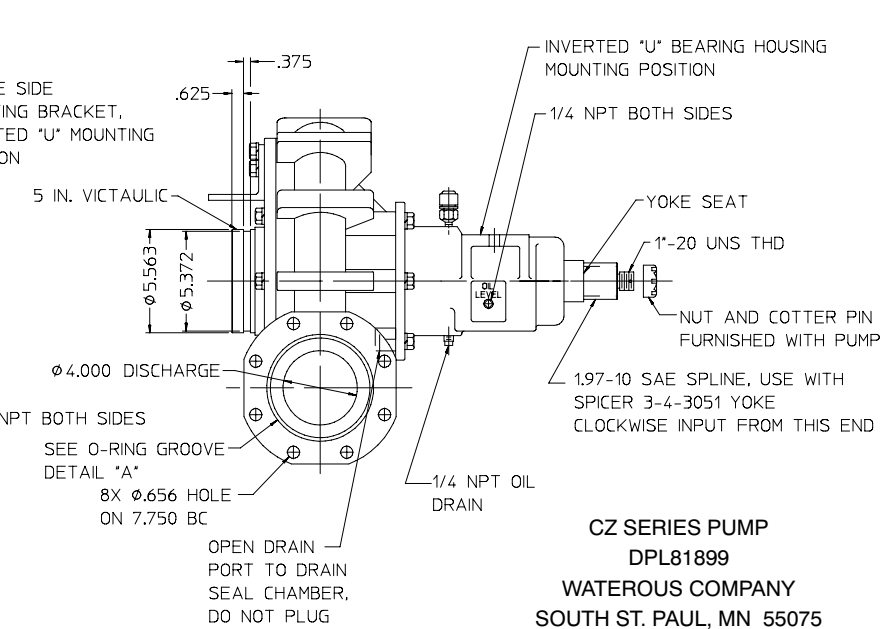
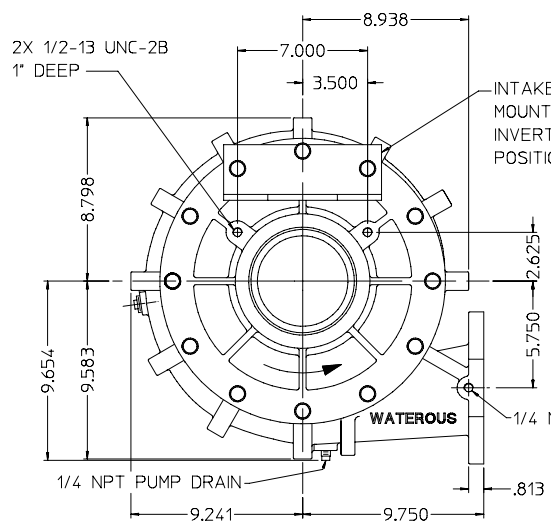
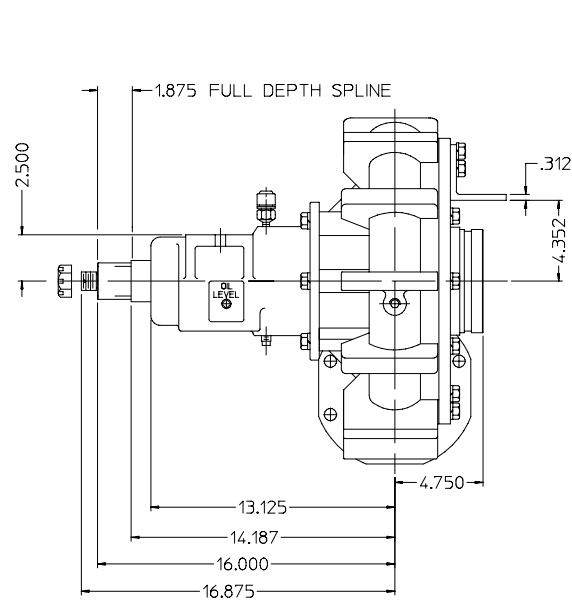
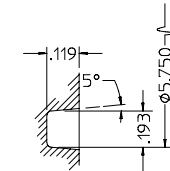
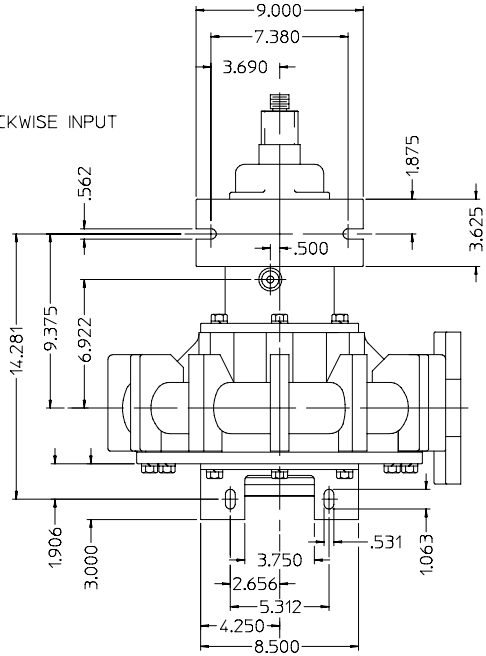
CONSISTS OF THE FOLLOWING:

BODY ASSEMBLY:

82755-1H: BRONZE BODY WITH INTAKE SIDE MOUNTING BRACKET

IMPELLER SHAFT ASSEMBLY:

82194-1A: MECHANICAL SEAL, 17-4SS SHAFT, IMPELLER 82204, CLOCKWISE INPUT



MODEL CZ, ASSEMBLY 81899, FOR GOVERNMENT ORDERS

**CZ SERIES PUMP
DPL81899
WATEROUS COMPANY
SOUTH ST. PAUL, MN 55075
PAGE 1 OF 1 REV: 09/29/05**