

RF-600 Self-Priming Pump Dimensional Drawings

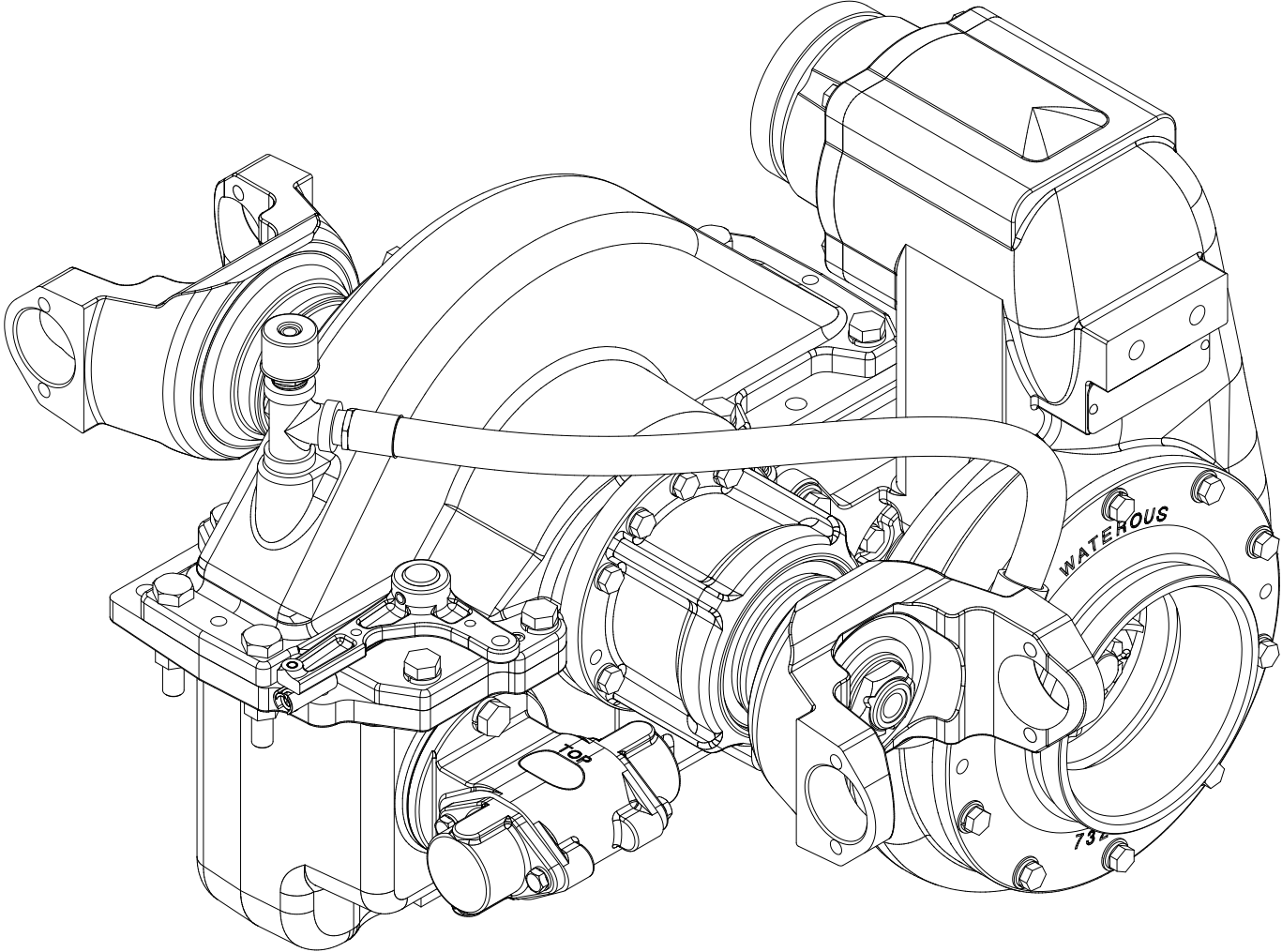
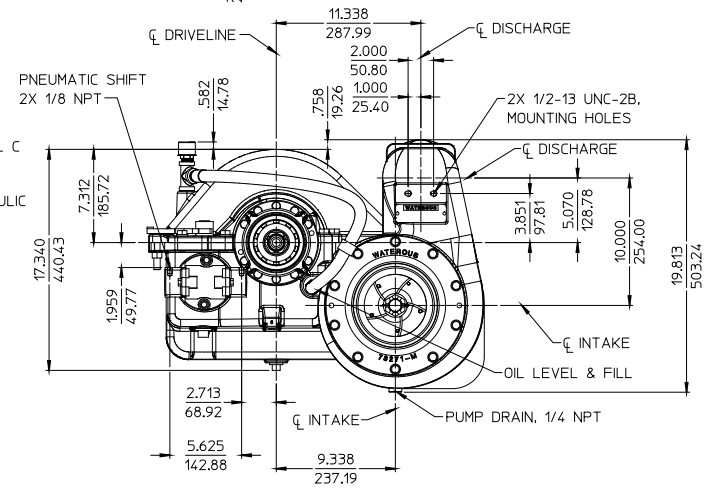
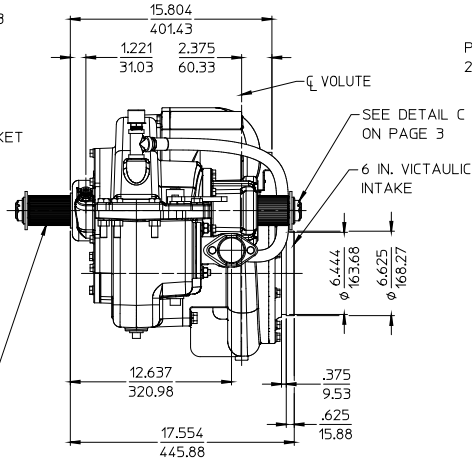
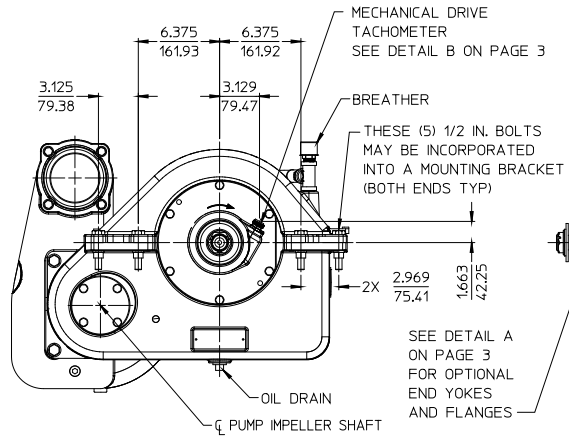
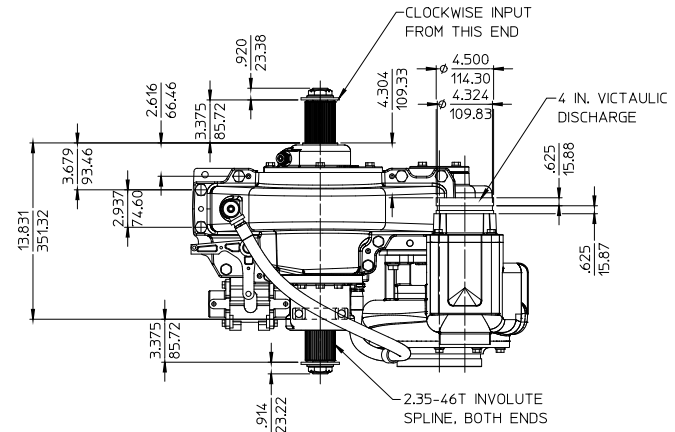
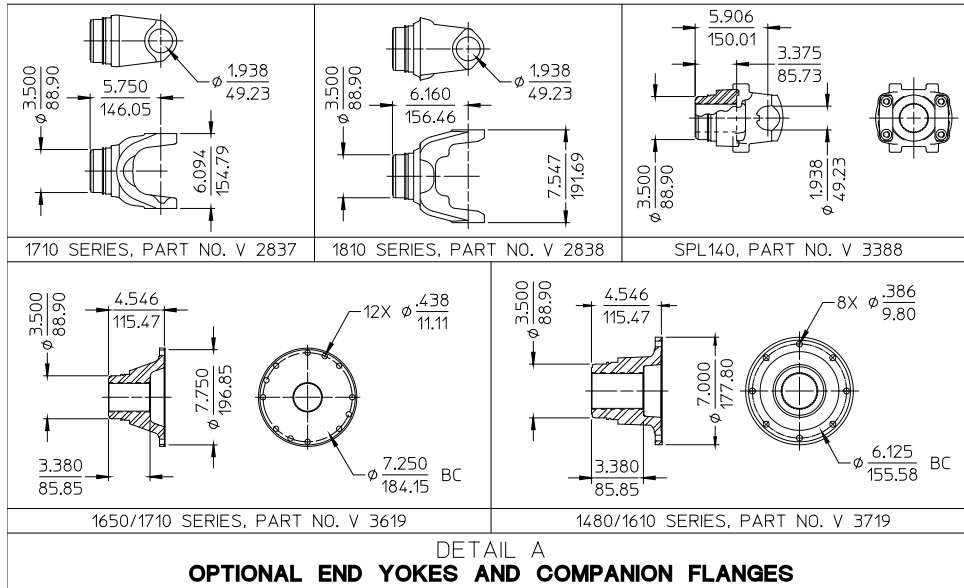


TABLE 1 - AVAILABLE DRIVELINE / MODELS							
DRIVELINE			OPTIONAL END YOKE AND COMPANION FLANGES AVAILABLE FROM WATEROUS, SEE DETAIL A ON PAGE 3			RATIO	MODEL
TYPE	SIZE	SPLINE	YOKE		CROSS AND BEARING KIT		
EXTRA HEAVY DUTY	2.35 INCH	2.350-46T INVOLUTE	SPICER SERIES	PART NUMBER	V 2839	SPICER SERIES	PART NUMBER
			1710	V 2837		1480/1610	V 3719
			1810	V 2838	V 2840	1650/1710	V 3619
			SPL140	V 3388	V 3389		



ALL DIMENSIONS SHOWN AS INCH/MILLIMETER
(INCH / MILLIMETER)

MODEL RF600WRX
WRX SPLIT SHAFT CHAIN CASE
CLOCKWISE INPUT
(SEE TABLE 1 FOR AVAILABLE DRIVELINES/MODELS)



ALL DIMENSIONS SHOWN AS INCH/MILLIMETER

($\frac{\text{INCH}}{\text{MILLIMETER}}$)

