

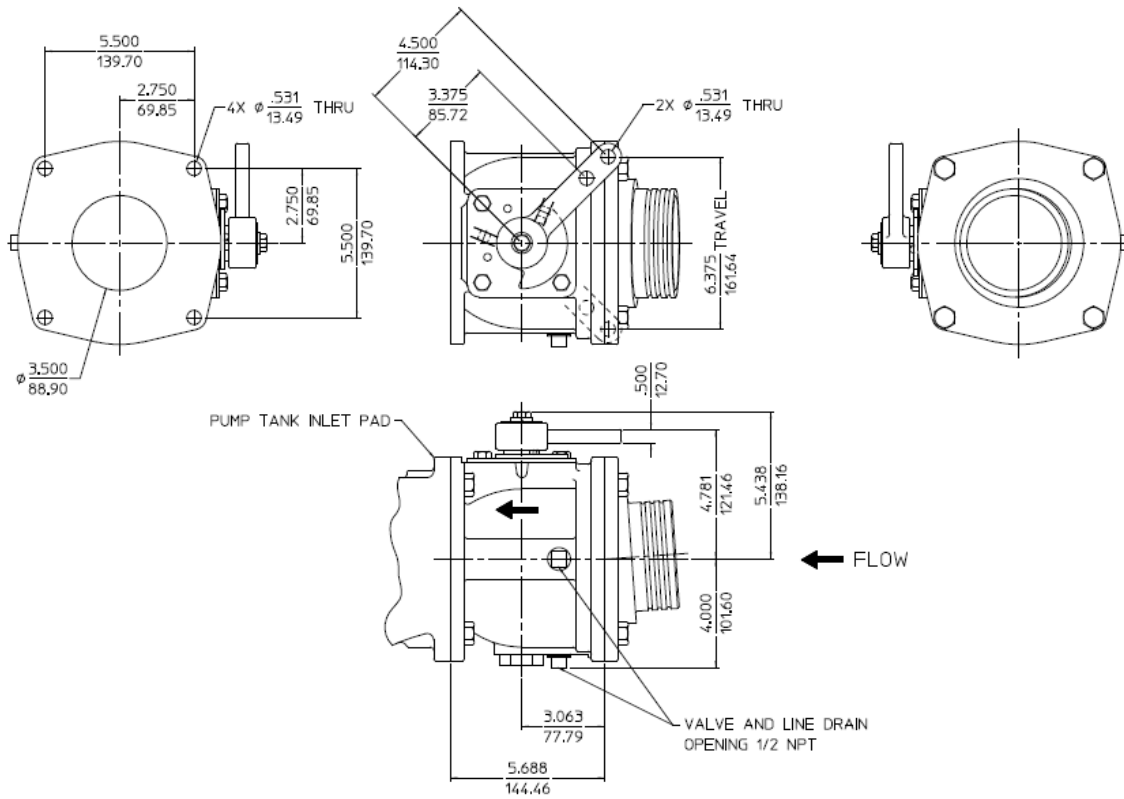


Document Number	Issue Date	Rev. Date
DPL81962	09/03/93	2/6/15

Manual Tank to Pump Valve Dimensional Drawings Valve Part No. 83505

Index:

Item		See Page
Valve Dimensions		2
Available Fittings		
Ordering Information		
Figure Numbers For Ordering: Handle Open/Closed Positions and Mounting (Stem) Positions	Non-Angle Compensated Fittings (Valve Part No. 83505-1A)	3
	Angle Compensated Fittings (Valve Part No's. 83505-1B and 83505-1C)	4



NOTE:

WHEN ORDERING, SUPPLY THE FOLLOWING INFORMATION:

A. VALVE PART NUMBER 83505.

B. SUFFIXES WHICH INDICATE:

a. VALVE FITTING:

-1A: 4 IN. O.D. NON-ANGLE COMPENSATED

-1B: 3-1/2 IN. O.D. ANGLE COMPENSATED

-1C: 4 IN. O.D. ANGLE COMPENSATED

b. HANDLE OPEN/CLOSED POSITION AND MOUNTING (STEM) POSITION:

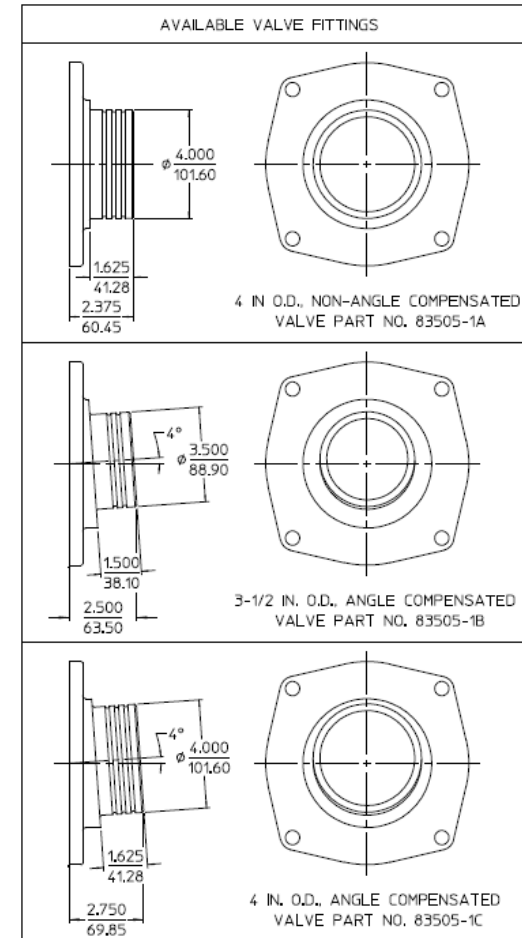
SEE PAGE 3 (VALVE PART NO. 83505-1A)

SEE PAGE 4 (VALVE PART NO. 83505-1B & 83505-1C)

C. PART NUMBER EXAMPLE:

83505-1A.8

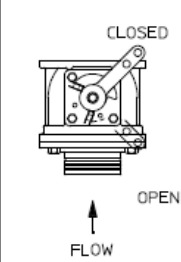
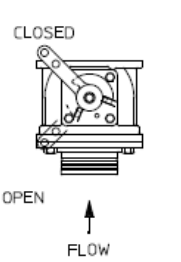
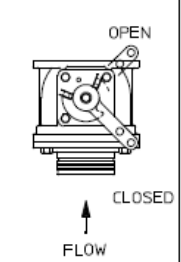
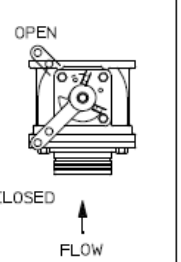
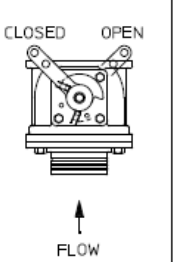
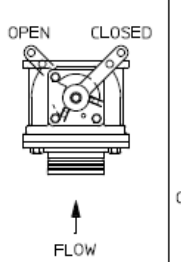
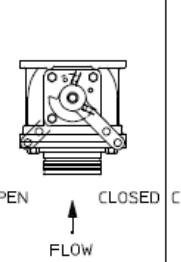
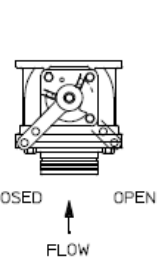
83505-1B.8T

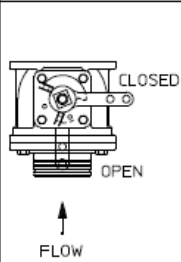
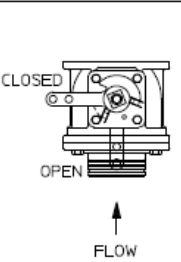
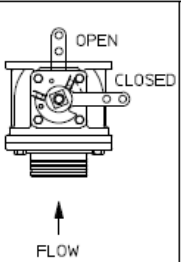
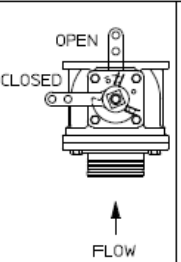
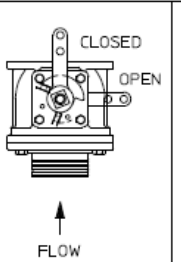
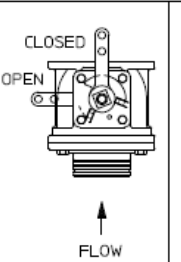
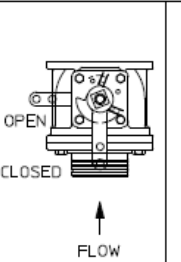
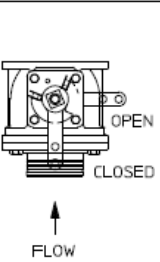


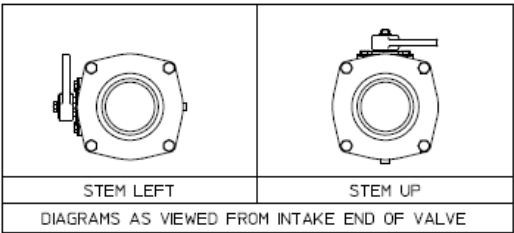
ALL DIMENSIONS SHOWN
AS INCH/MILLIMETER

(INCH
MILLIMETER)

Handle Open/Closed and Mounting Positions
 Non-Angle Compensated Fitting
 Valve Part No. 83505

STEM MOUNTING POSITION SEE DETAIL A	FIGURE NO.							
								
STEM UP	1	2	3	4	5	6	7	8
STEM LEFT	NOT AVAILABLE	NOT AVAILABLE	NOT AVAILABLE	NOT AVAILABLE	NOT AVAILABLE	NOT AVAILABLE	7	8

STEM MOUNTING POSITION SEE DETAIL A	FIGURE NO.							
								
STEM UP	9	10	11	12	13	14	15	16
STEM LEFT	9	10	NOT AVAILABLE	NOT AVAILABLE	NOT AVAILABLE	NOT AVAILABLE	15	16

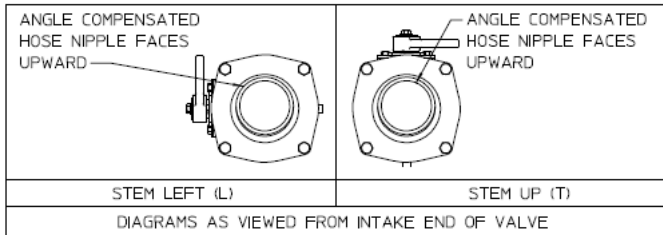


DETAIL A
 STEM MOUNTING POSITIONS
 NOTE: OBTAINED BY ROTATING VALVE

Handle Open/Closed and Mounting Positions
 Angle Compensated Fitting
 Valve Part No.'s 83505-1B and 83505-1C

STEM MOUNTING POSITION SEE DETAIL B	FIGURE NO.							
STEM UP	1T	2T	3T	4T	5T	6T	7T	8T
STEM LEFT	NOT AVAILABLE	NOT AVAILABLE	NOT AVAILABLE	NOT AVAILABLE	NOT AVAILABLE	NOT AVAILABLE	7L	8L

STEM MOUNTING POSITION SEE DETAIL B	FIGURE NO.							
STEM UP	9T	10T	11T	12T	13T	14T	15T	16T
STEM LEFT	9L	10L	NOT AVAILABLE	NOT AVAILABLE	NOT AVAILABLE	NOT AVAILABLE	15L	16L



DETAIL B
 STEM MOUNTING POSITIONS
 LETTER 'T' OR 'L' ADDED SO THAT THE CORRECT
 ANGLE COMPENSATION OF THE FITTING IS MAINTAINED