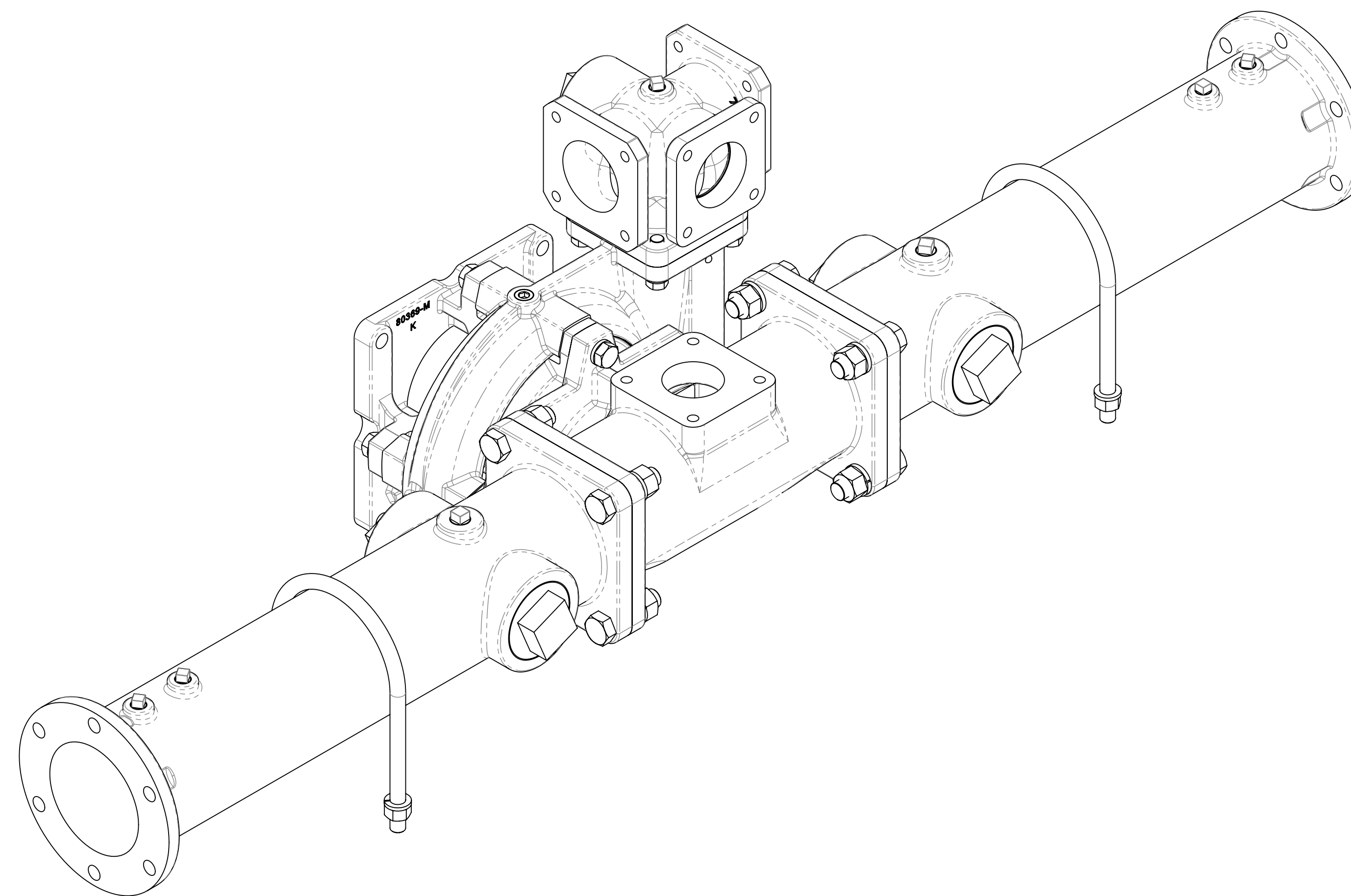


## CLS Series Fire Pump Dimensional Drawings

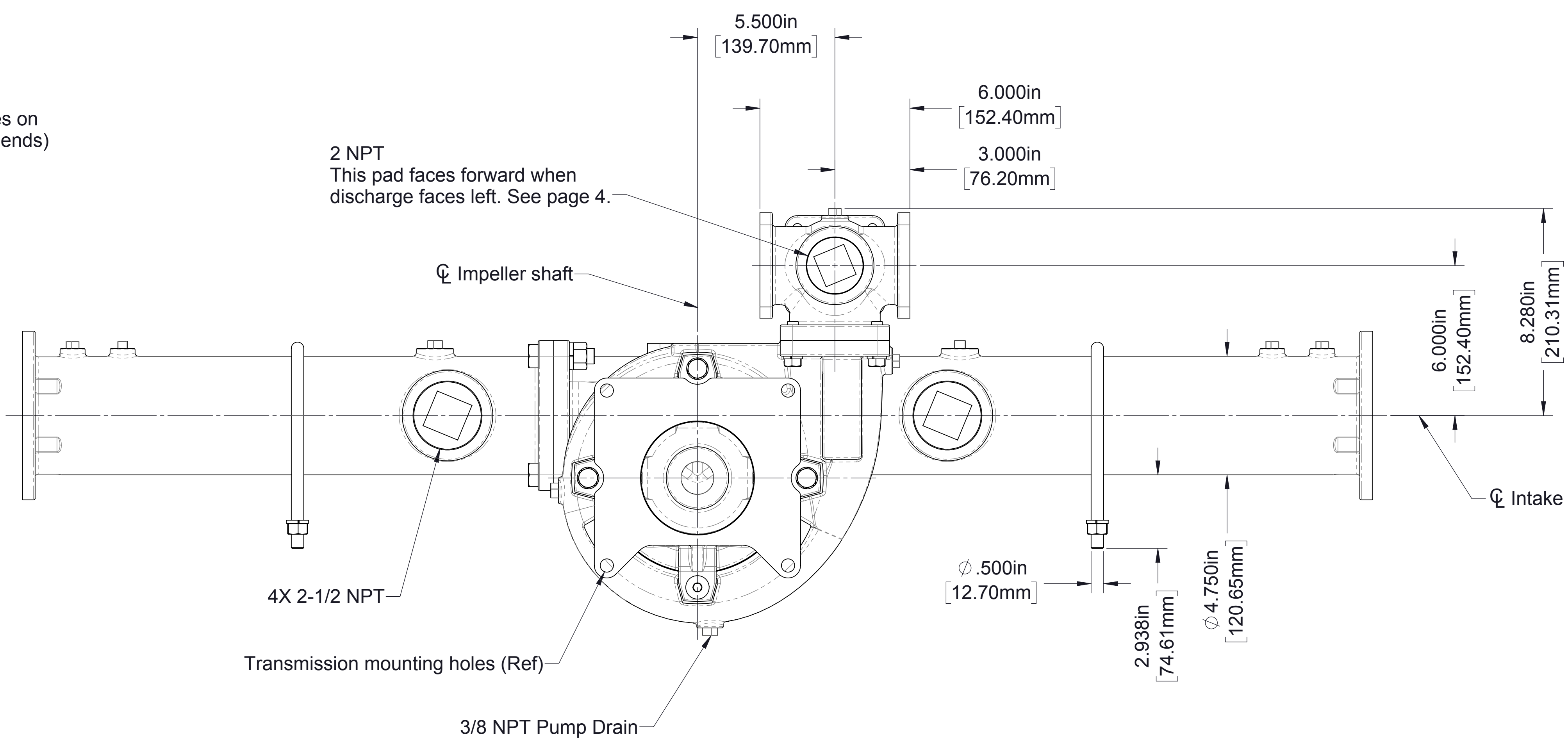
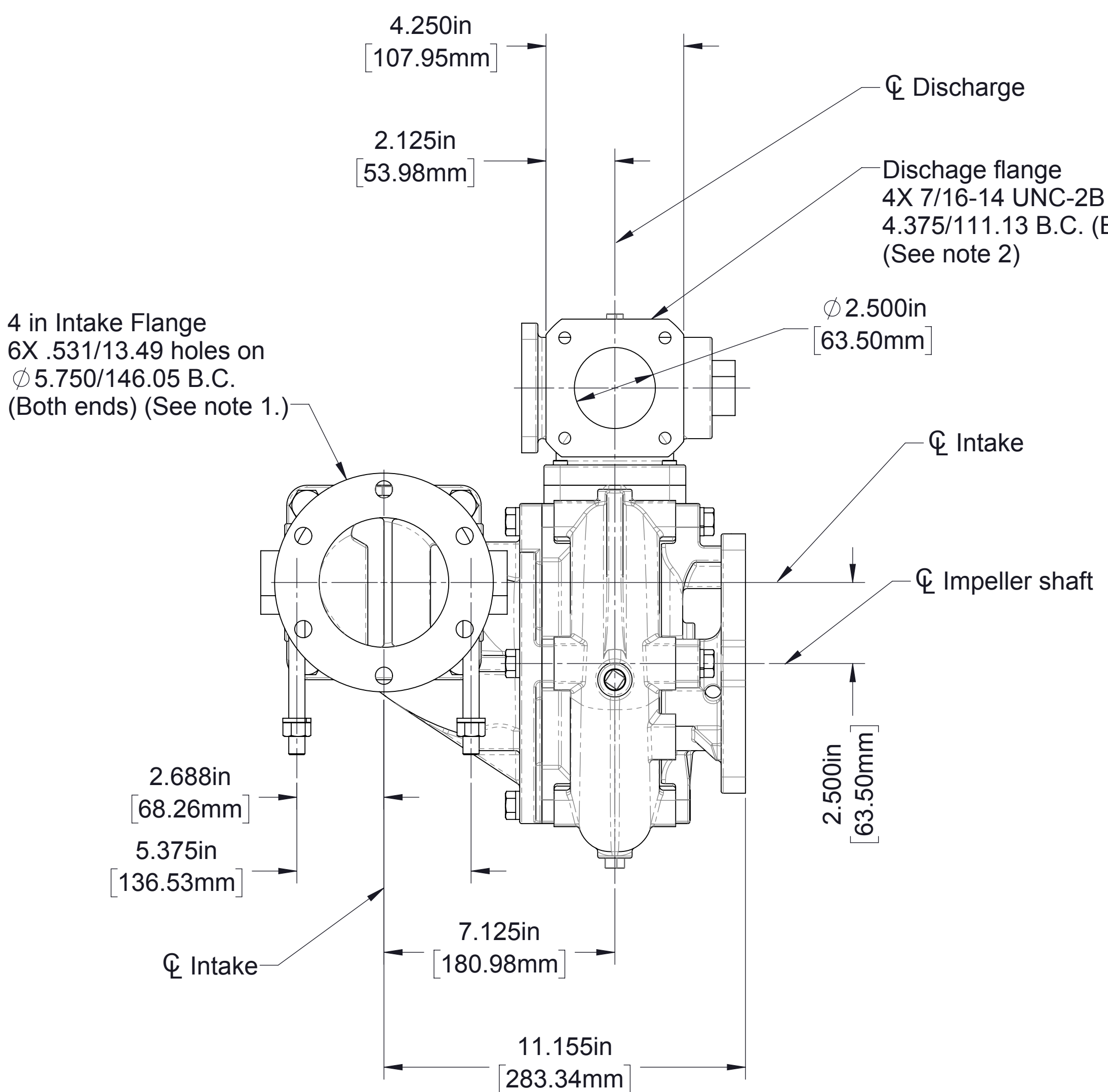
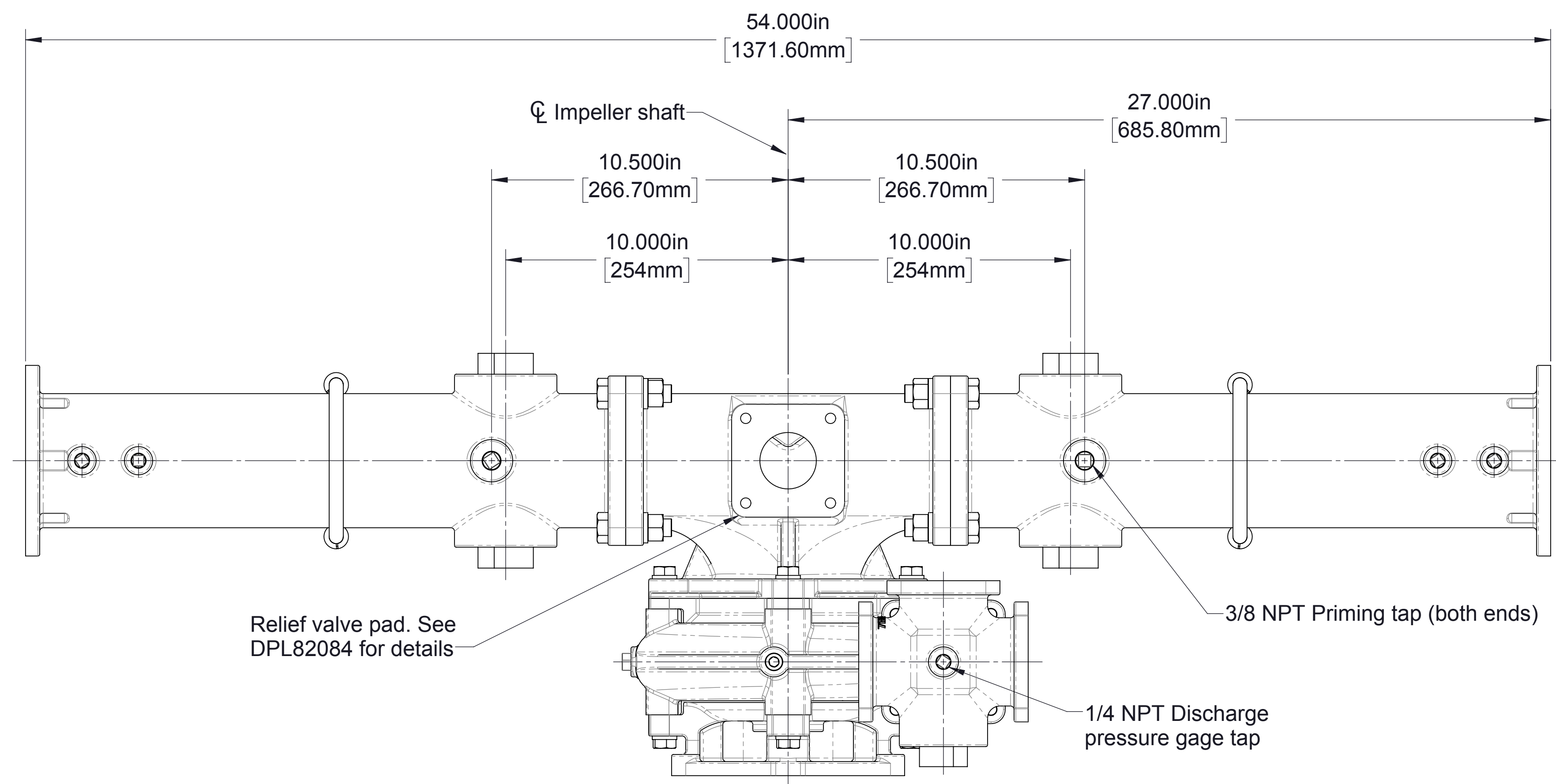
Transmission				Pump		See Page			
Type	Driveline	Pump Mounting on Transmission	Input Rotation (1)	Impeller Rotation (2)	Pump and Transmission Model	Basic Pump Dimensions	Pump and Transmission		
							Dimensions	Available	
								Pump Discharge Positions	Transmission Mounting Positions
<b>K Series</b> Two Gear, PTO Driven	Input Shaft Only	Opposite Input Shaft	CW	CW	CLSK	2-3	4	6	7
<b>P Series</b> Chain Drive, PTO Driven	Input Shaft Only	Input Shaft Side	CW	CW	CLSPA	2-3	5	6	7

**Notes:**

1. Input rotation is viewed looking directly at the transmission input shaft.
2. Impeller rotation is viewed looking directly at the intake fitting (impeller eye)



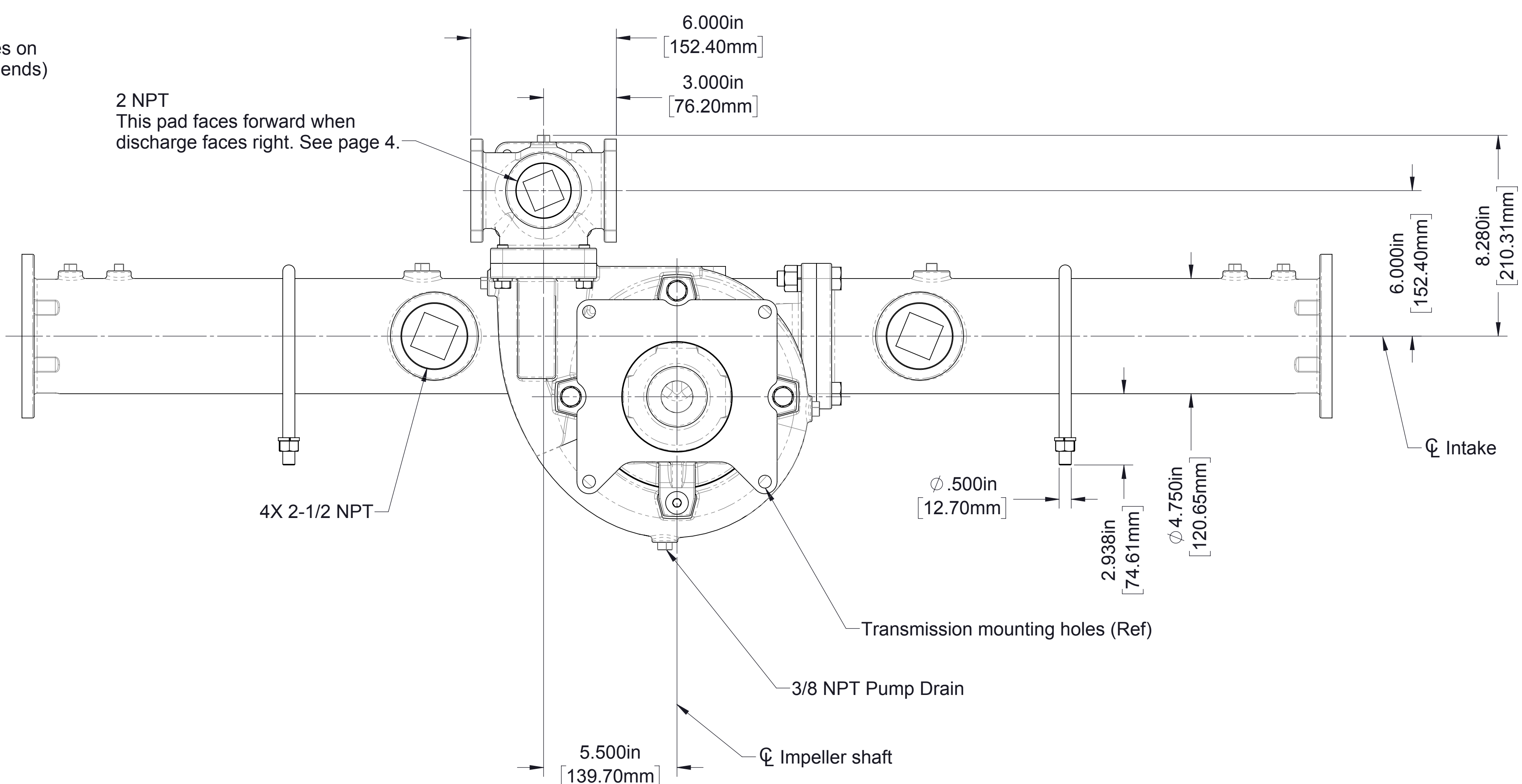
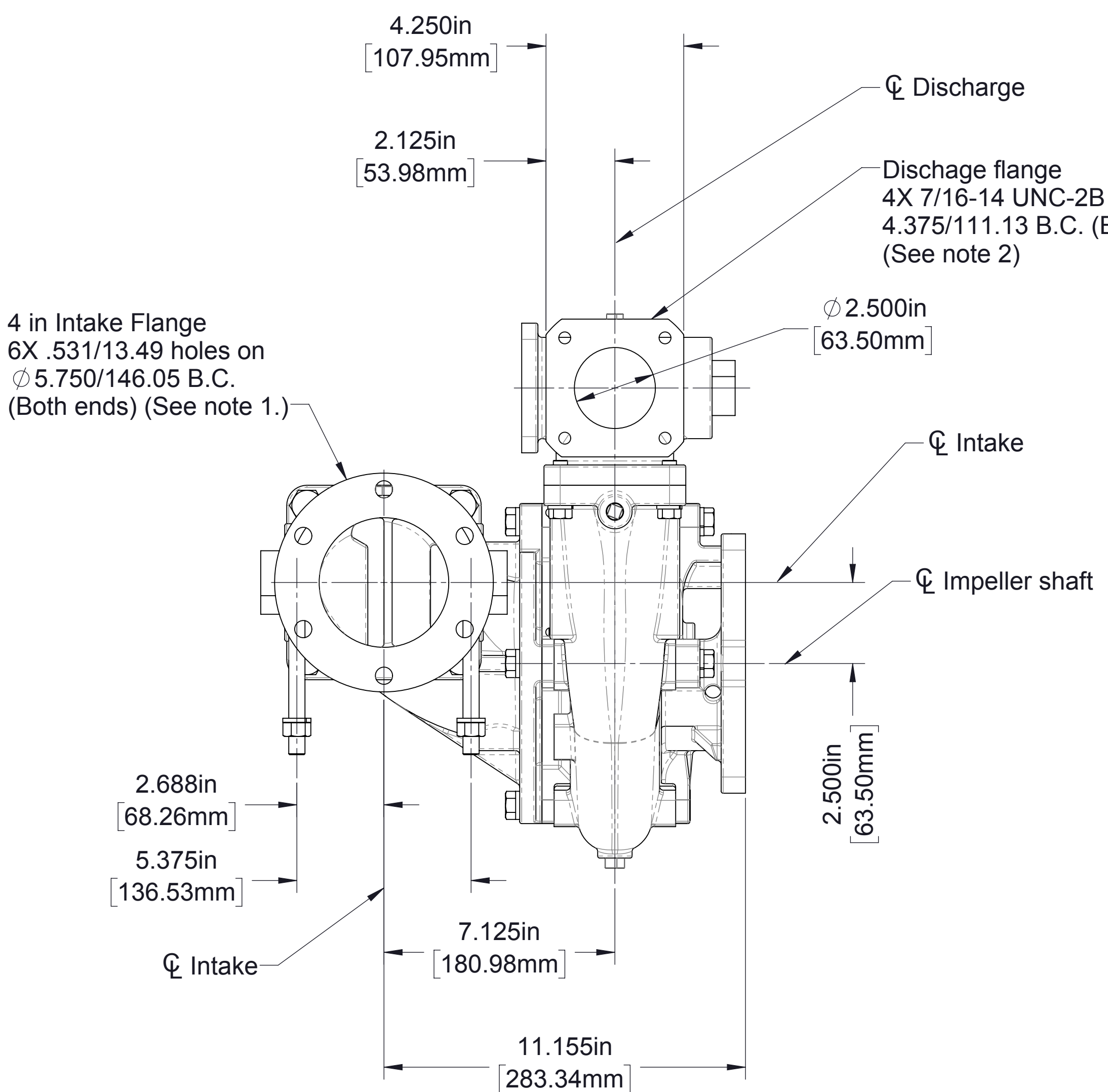
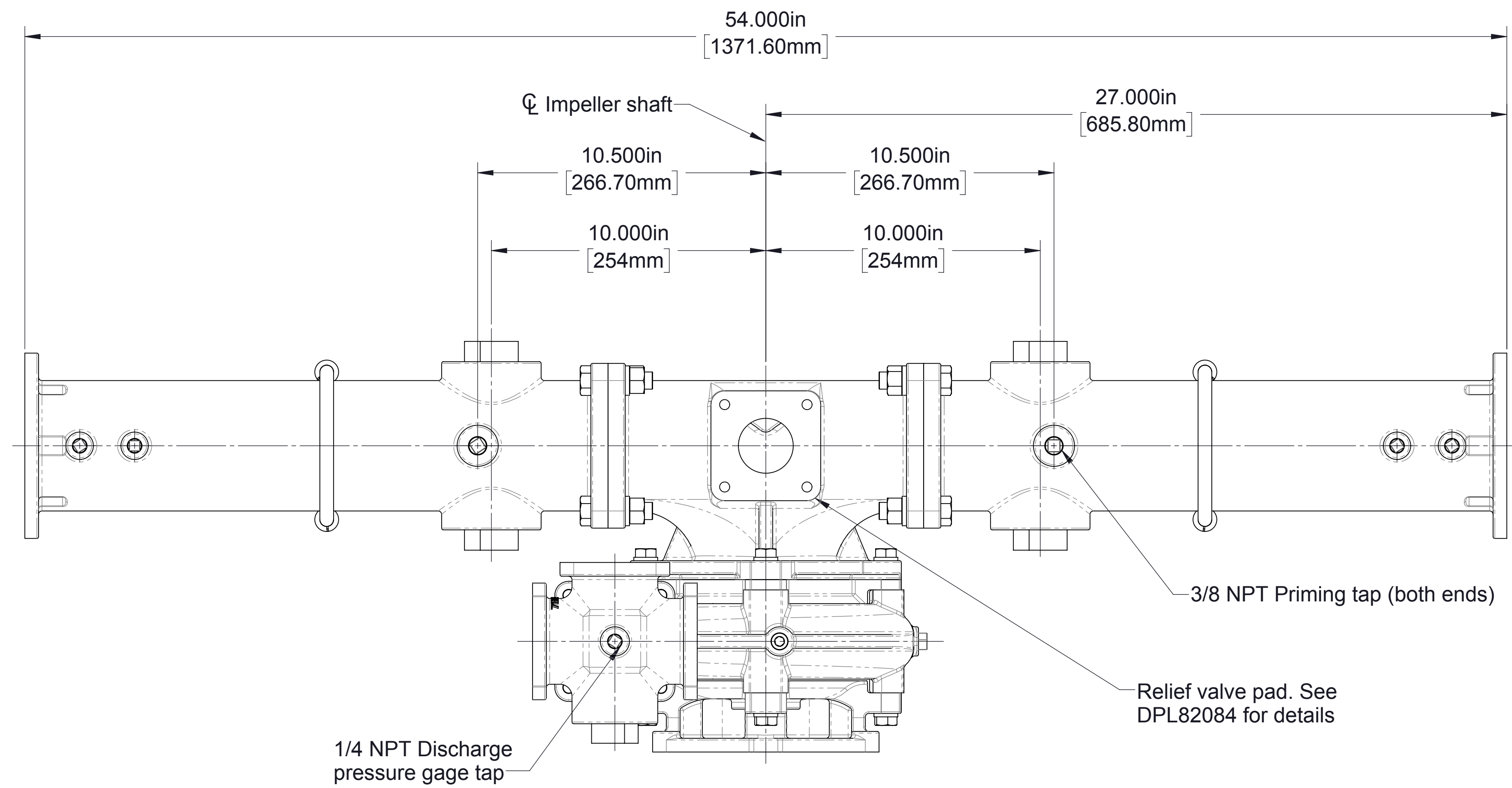
**Note: Pump must be installed in accordance with Waterous Installation Instructions.**



- Notes:
1. See drawing DPL81867 for optional intake fittings
  2. See drawing DPL82085 for information on 2-1/2 in discharge fittings

## CLS Body Dimensions

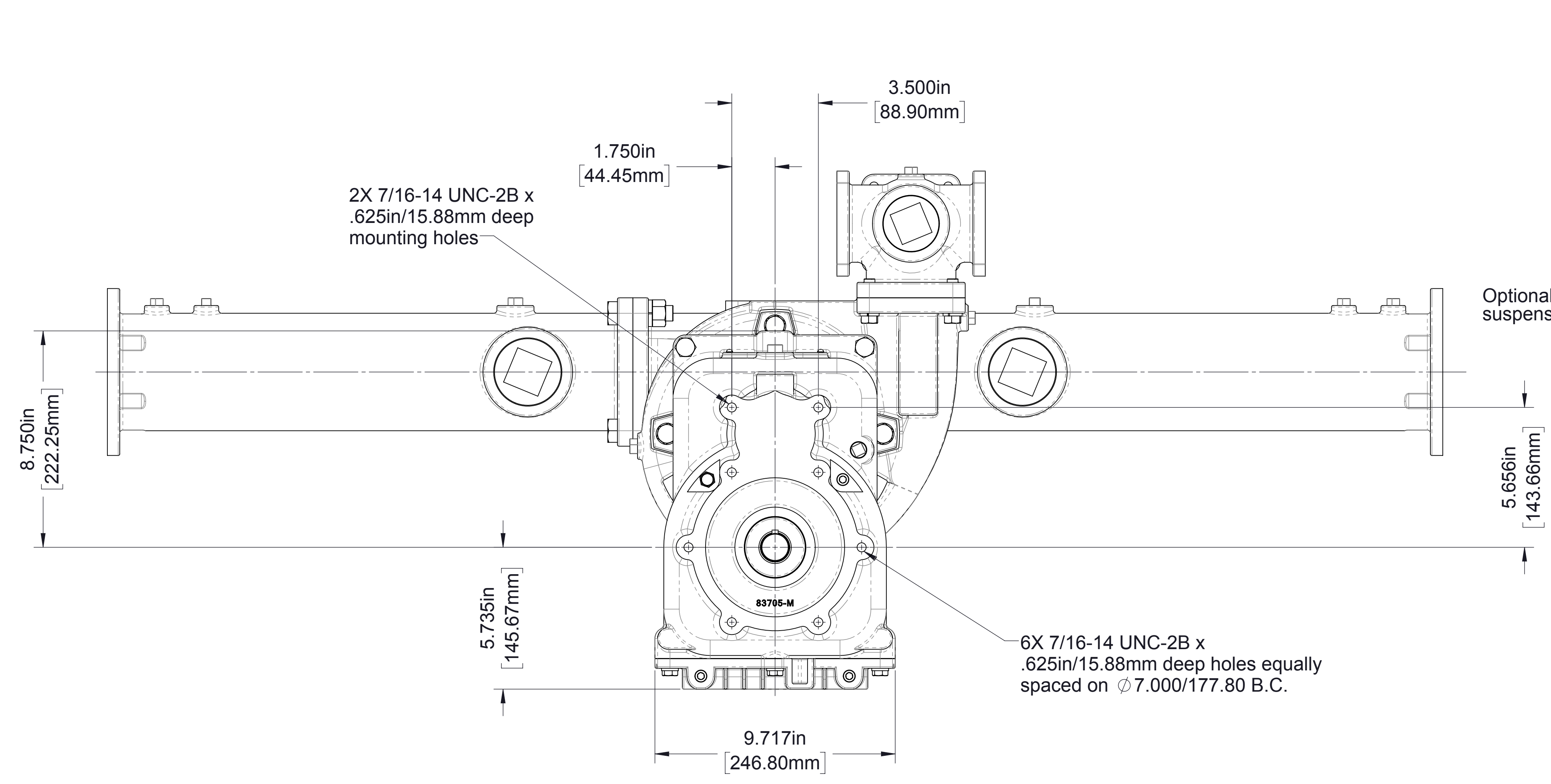
CW Impeller rotation



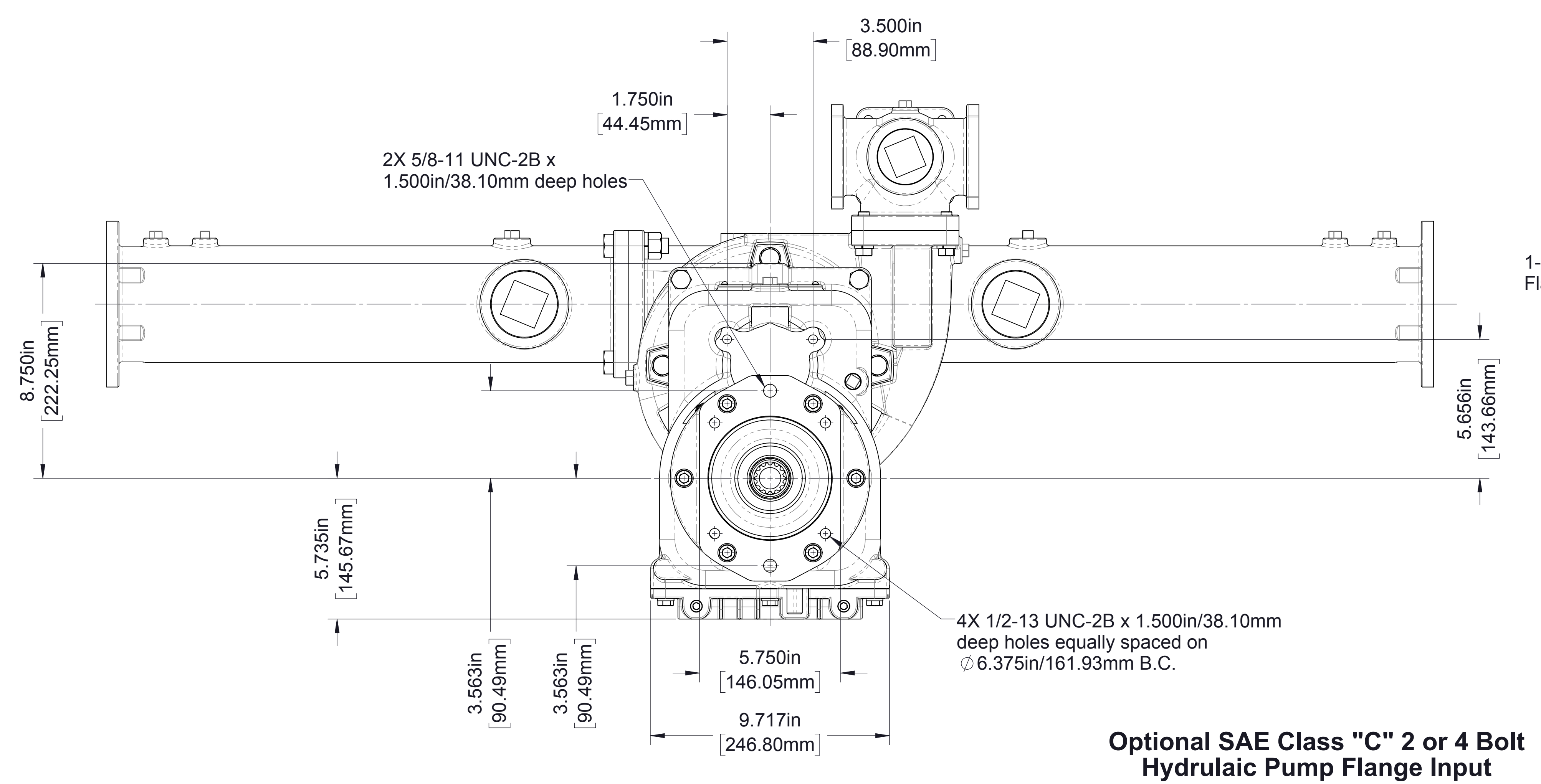
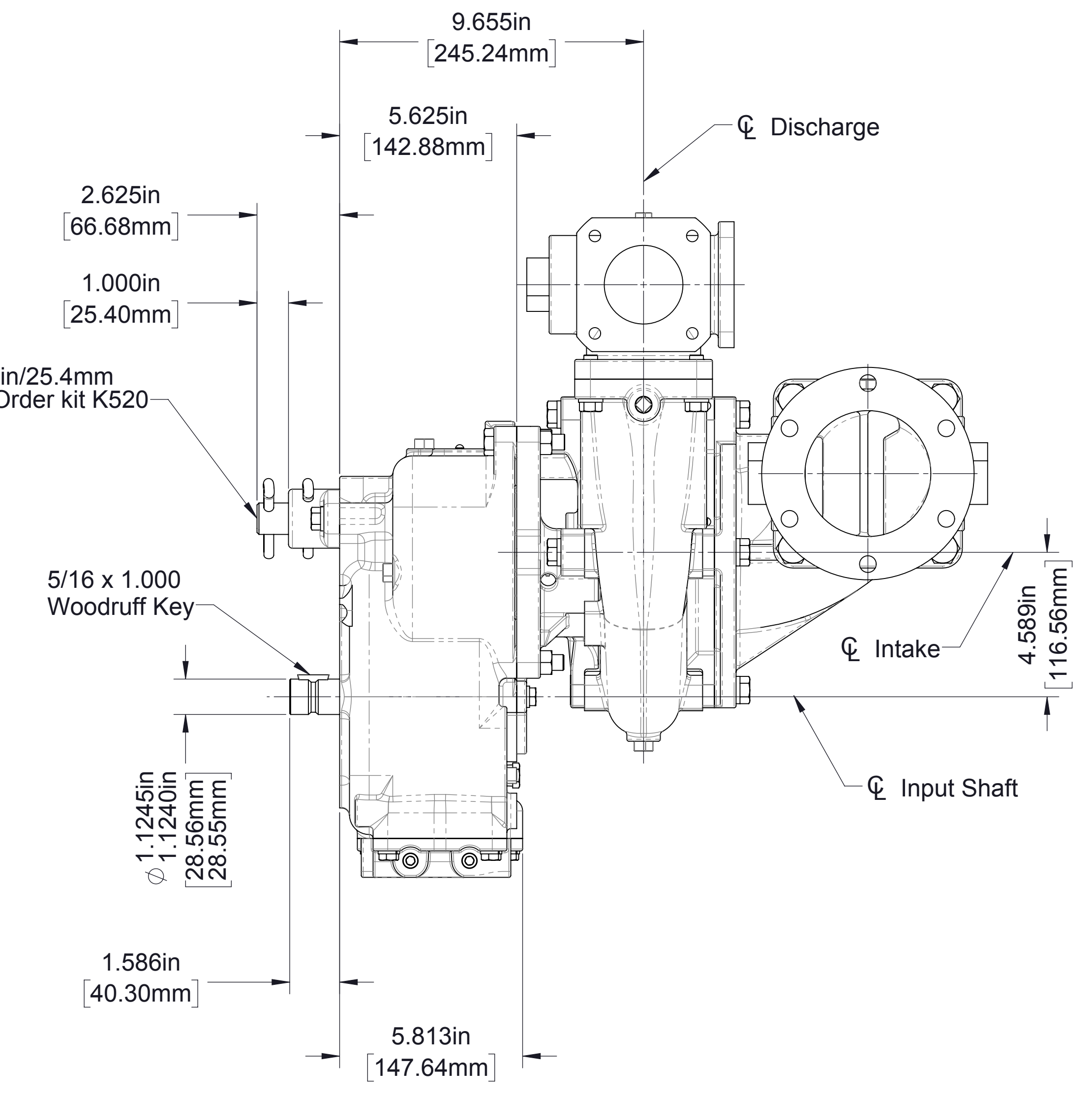
- Notes:
1. See drawing DPL81867 for optional intake fittings
  2. See drawing DPL82085 for information on 2-1/2 in discharge fittings

## CLS Body Dimensions

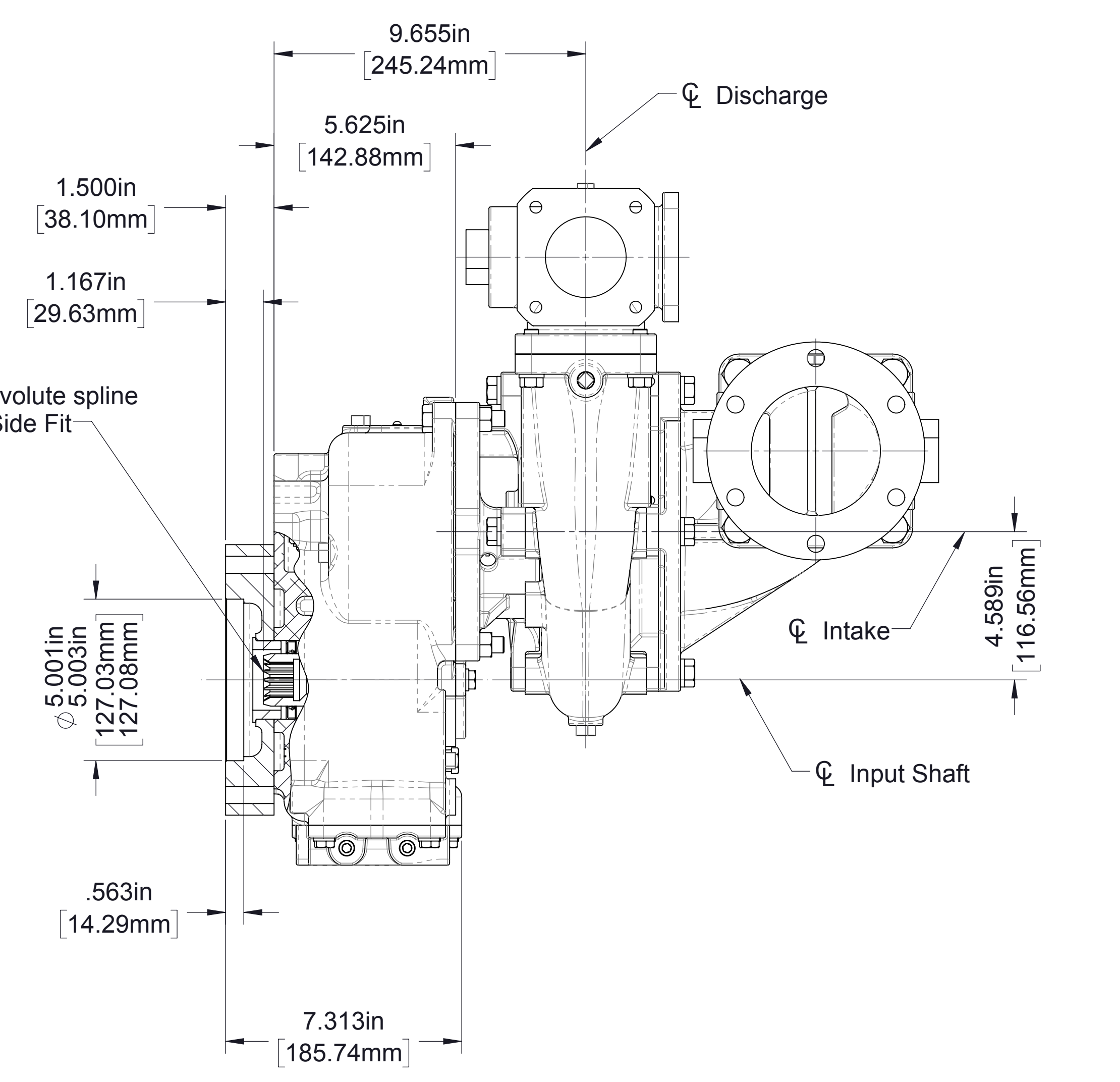
CCW Impeller rotation



**Keyed Input**

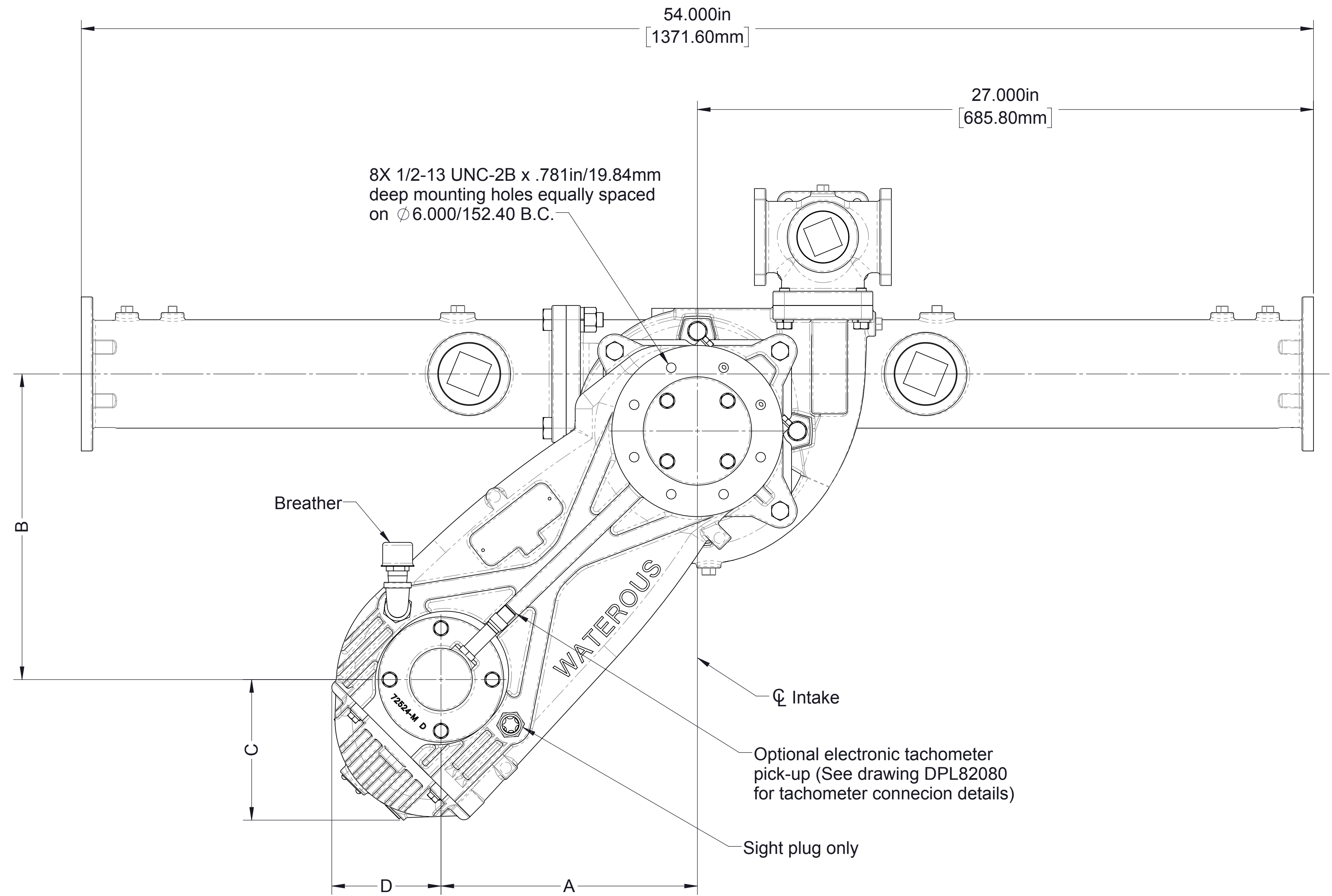
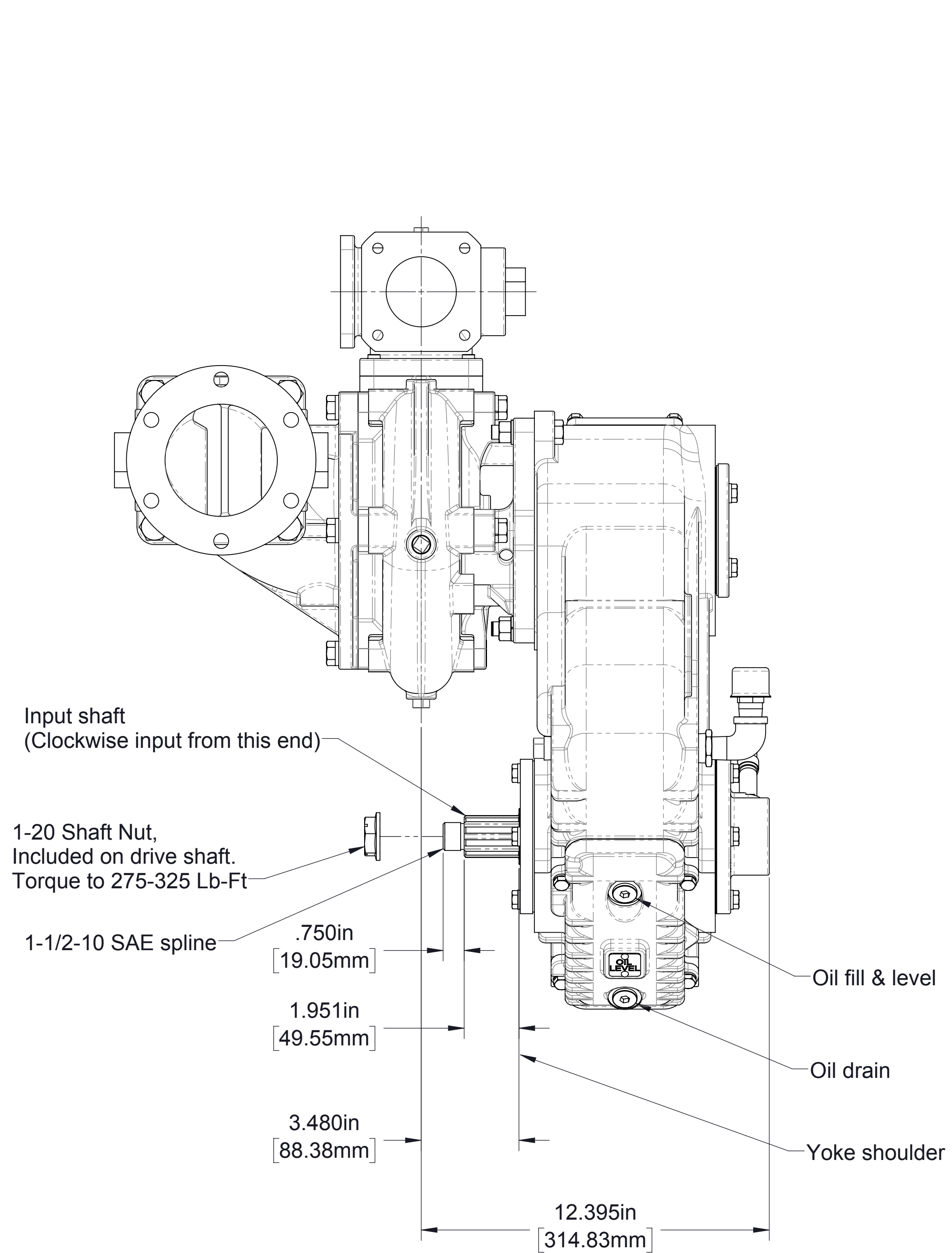


**Optional SAE Class "C" 2 or 4 Bolt Hydraulic Pump Flange Input**



**Model CLS with K**

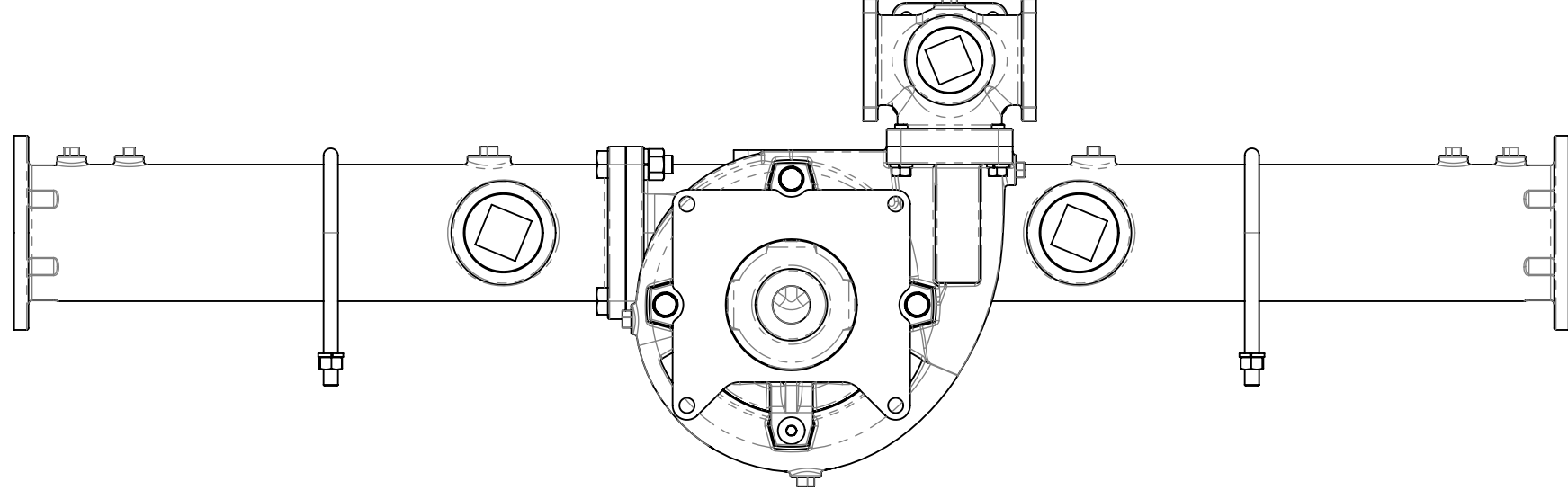
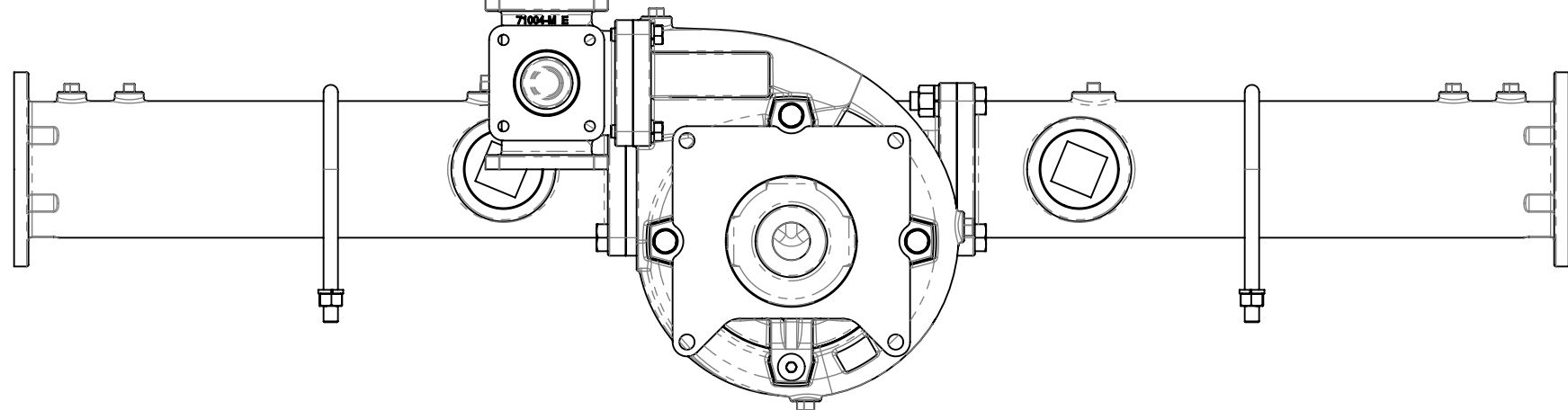
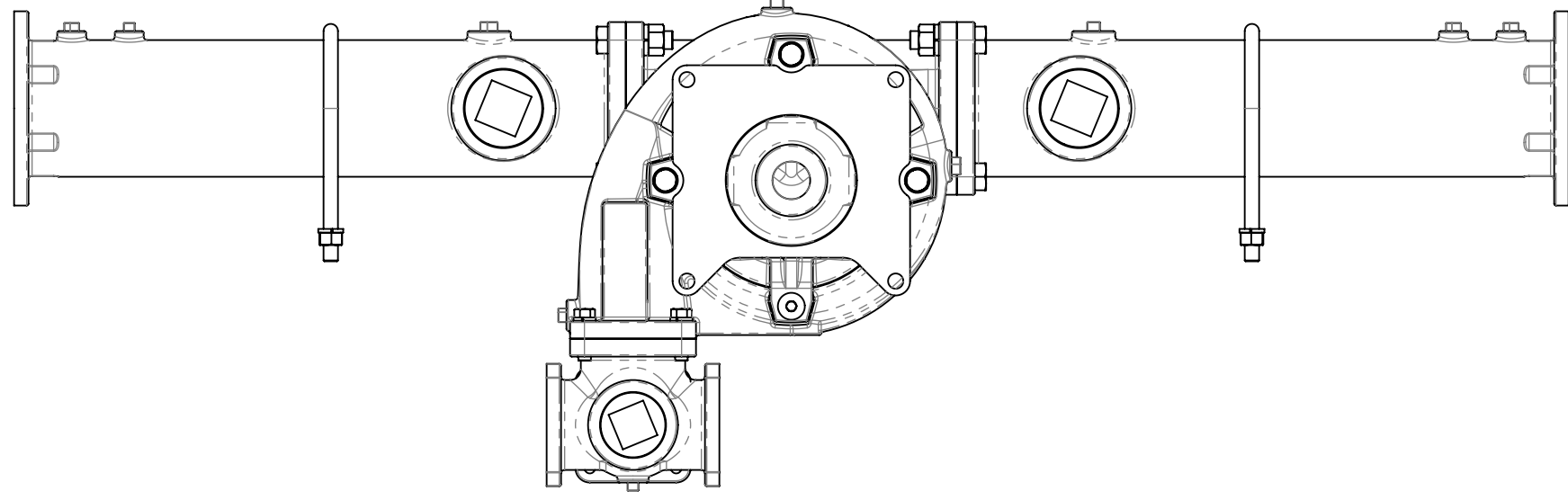
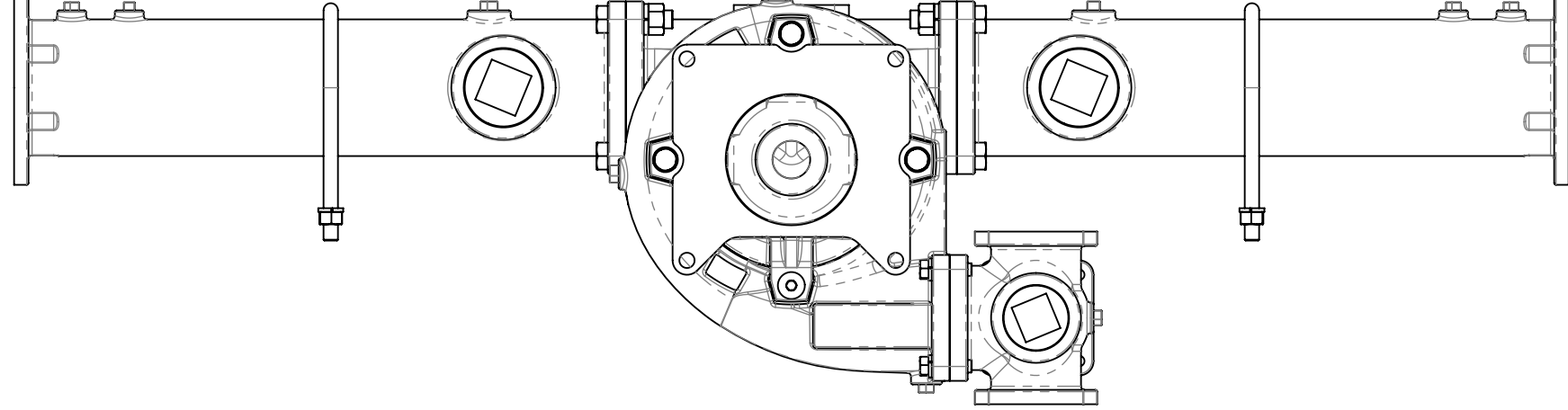
Clockwise input shown  
(CLSK in vertical mounting position shown, See page 7 for mounting positions)

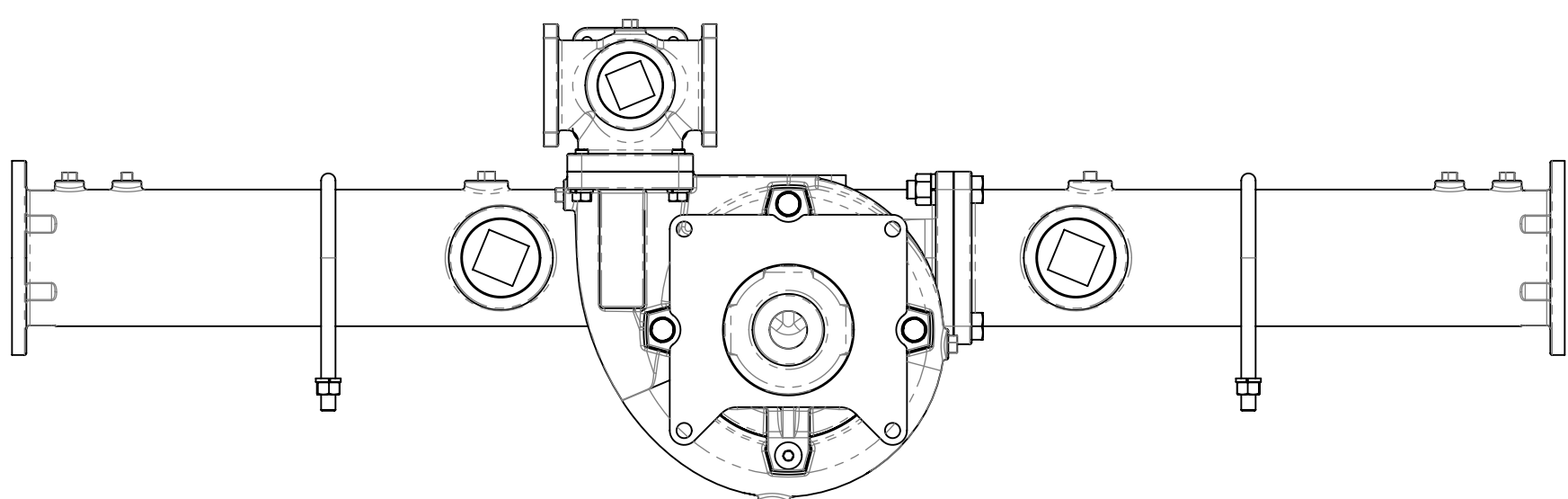
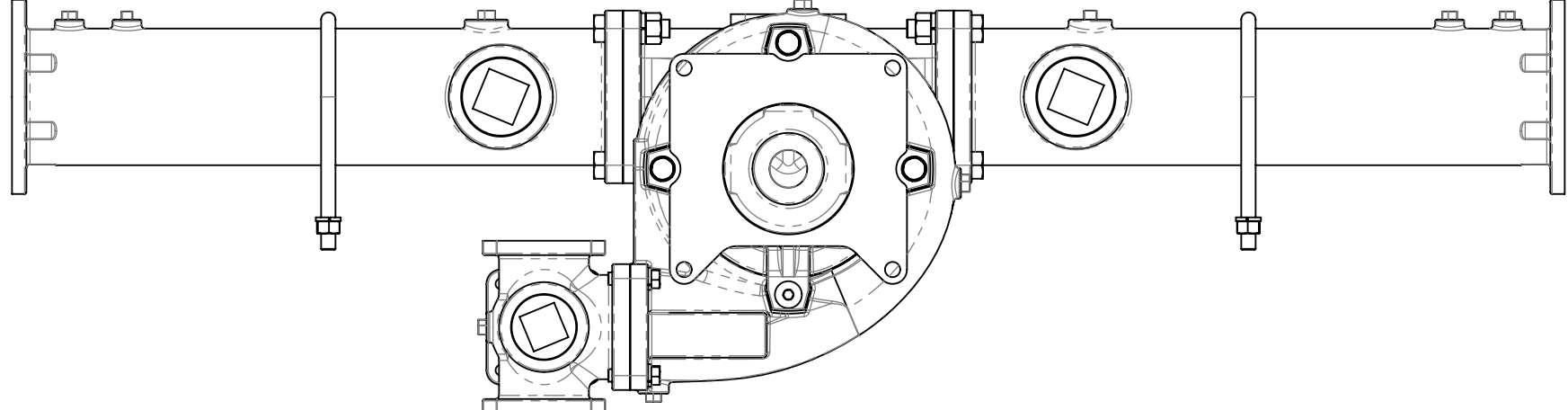
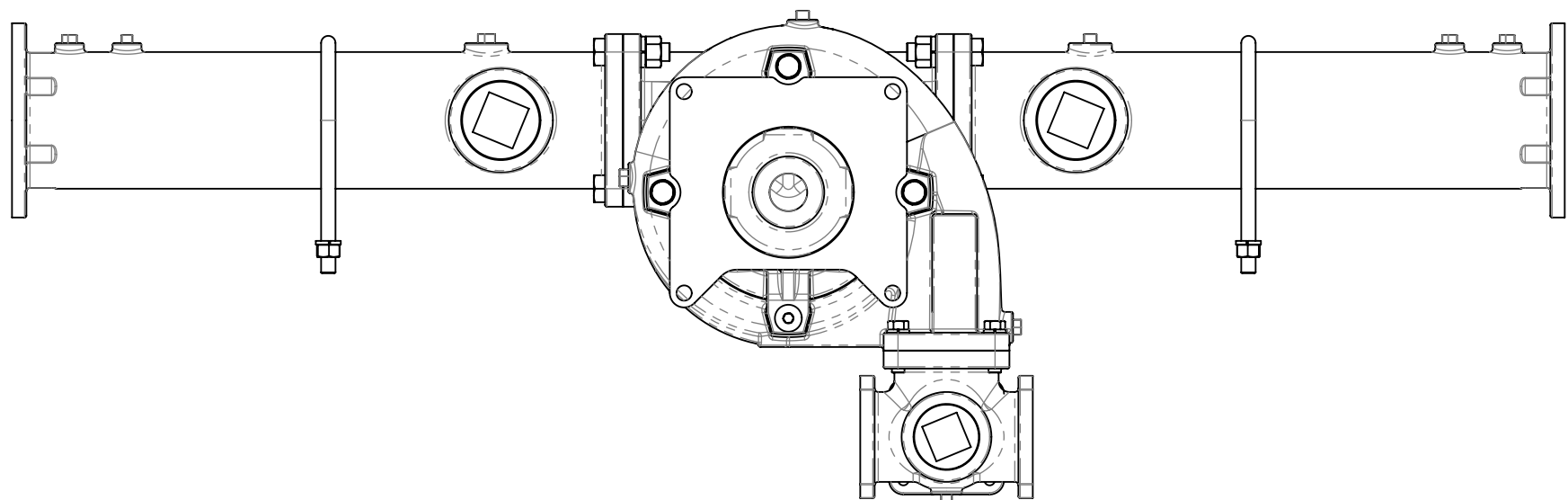
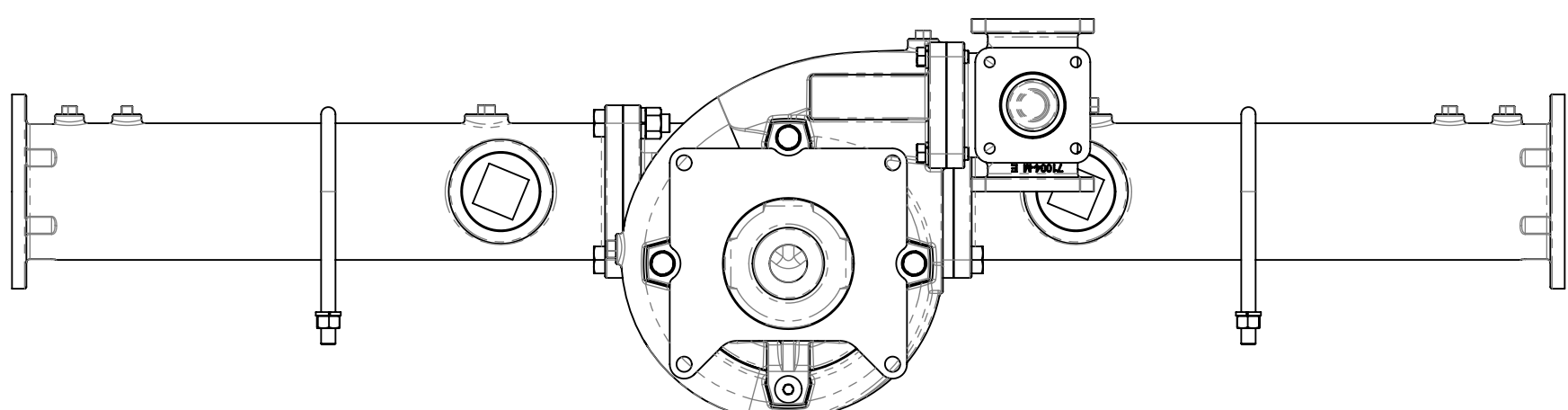


Drive Line		Ratio	Dim A	Dim B	Dim C	Dim D
Size	Spline					
1-1/2 in	1-1/2-10 SAE	1.70	11.288in 286.71mm	13.443in 341.45mm	6.111in 155.22mm	4.737in 120.32mm
		1.90	11.269in 286.24mm	13.424in 340.97mm	6.130in 155.70mm	4.755in 120.79mm
		2.10	11.239in 285.46mm	13.394in 340.21mm	6.160in 156.46mm	4.786in 121.56mm

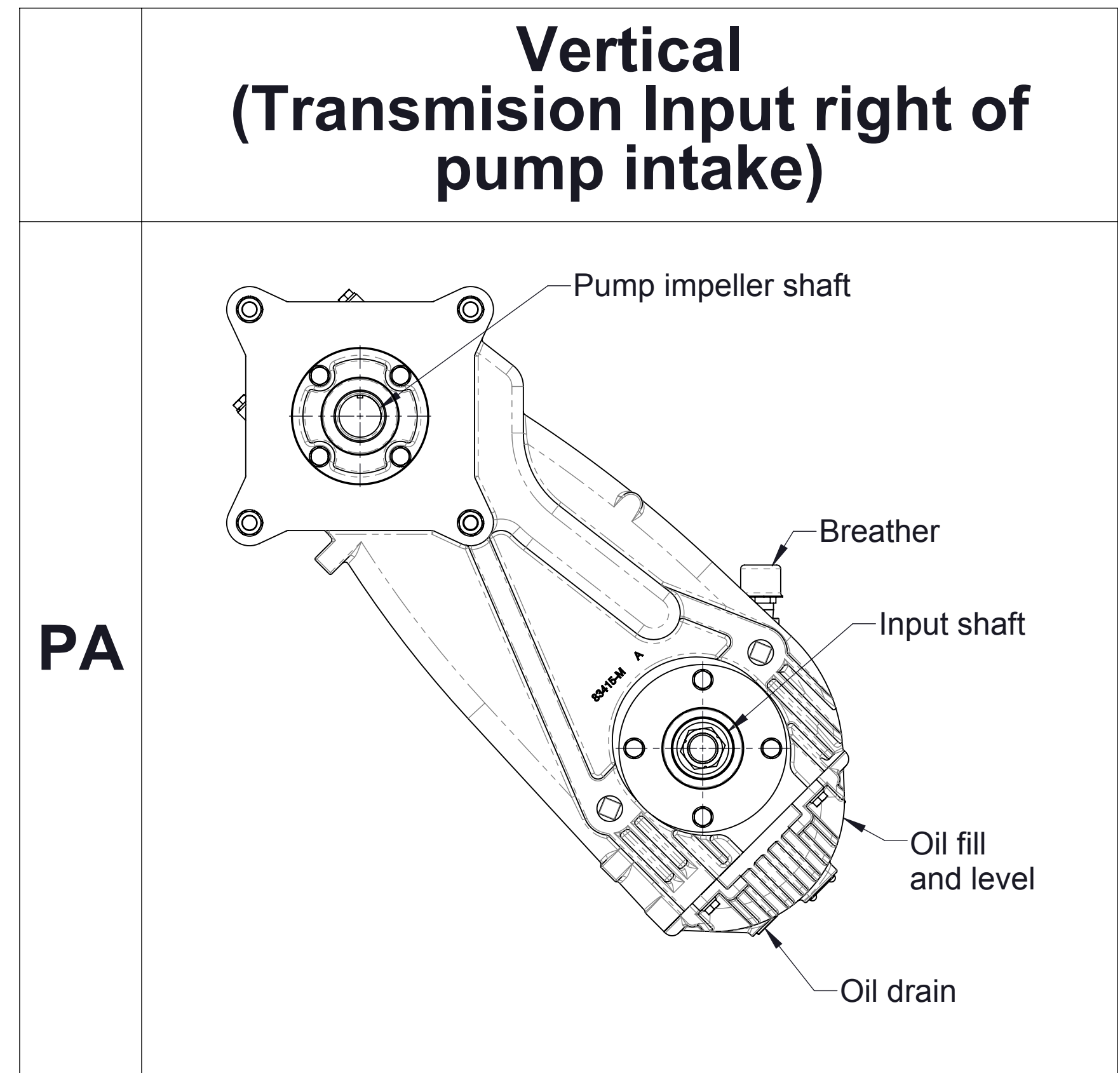
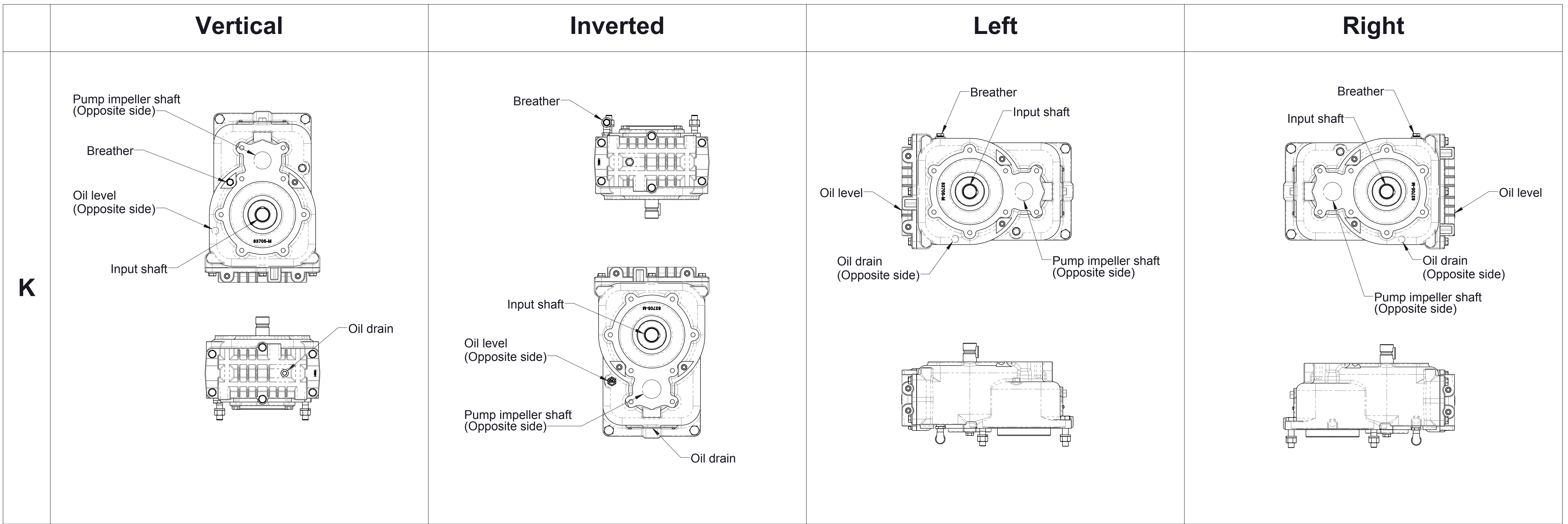
### Model CLS with PA Clockwise input

See drawing DPL82080 for additional details of PA transmission

Discharge Position		Available with:	
		Transmission Series	
		K	PA Vertical
Up		Yes	Yes
Left		Yes	No
Down		Yes	No
Right		Yes	No
<b>Clockwise (CW) Input rotation</b>			

Discharge Position		Available with:	
		Transmission Series	
		K	PA Vertical
Up		Yes	No
Left		Yes	No
Down		Yes	No
Right		Yes	No
<b>Counterclockwise (CCW) Input rotation</b>			

**Available pump discharge positions as viewed from transmission end of pump**



**Available transmission mounting positions  
as viewed from transmission input shaft**