



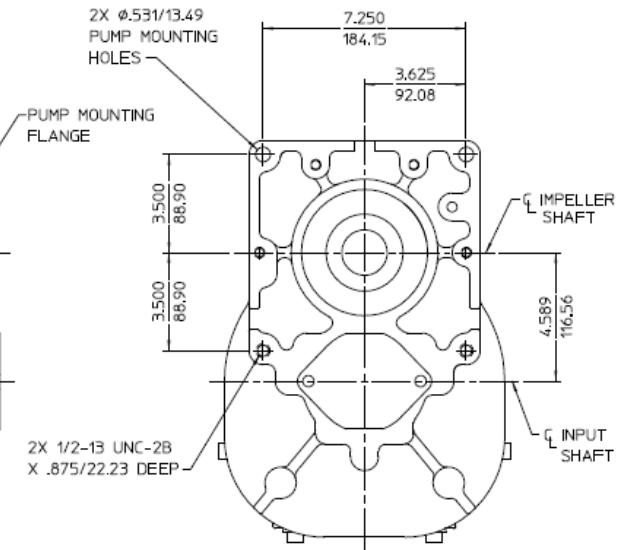
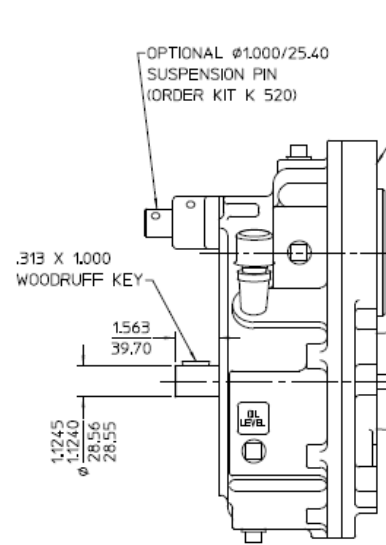
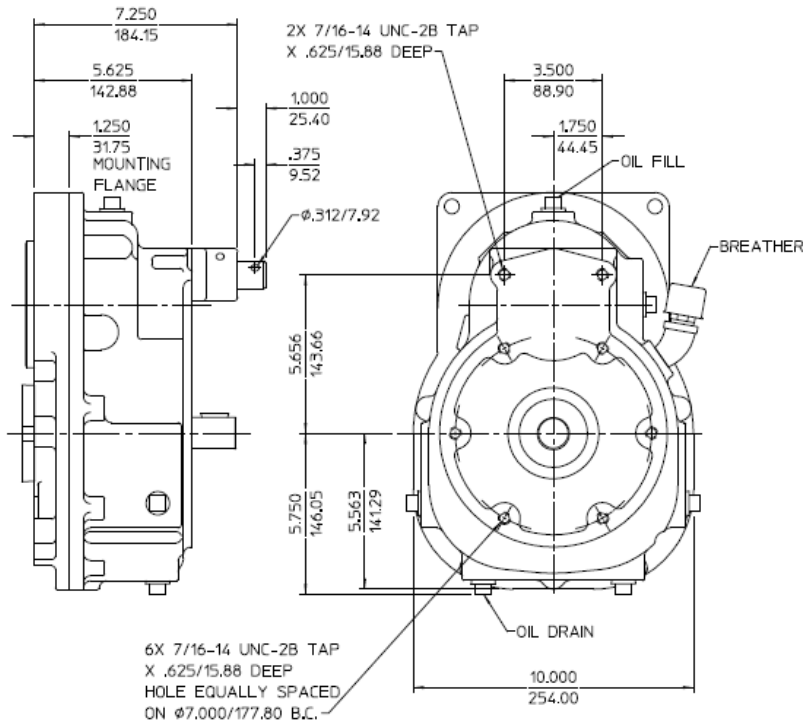
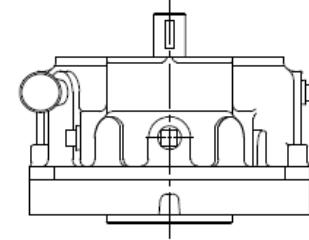
Document Number	Issue Date	Rev. Date
DPL82076	01/10/96	9/3/15

Dimensional Drawings Medium Duty K Transmission

Index:

Description	See Page
Models: CP3-5, CP-1, CP-2, CP-4 & CLS	2
Models: CLV & CLR	3
Optional SAE Class C 2 or 4 Bolt Hydraulic Pump Input Flange	4

AVAILABLE AS FOLLOWS:							
DRIVE	TYPE	MODEL	INPUT		AVAILABLE RATIOS	AVAILABLE FOR PUMP MODELS:	
			ROTATION	SHAFT		PUMP MODEL	IMPELLER SHAFT TYPE
P.T.O.	TWO GEAR WITHOUT HYDRAULIC CLUTCH	MEDIUM DUTY K (MDK)	CLOCKWISE OR COUNTERCLOCKWISE	1-1/8 INCH STRAIGHT KEYED SHAFT OR SAE CLASS C 2 OR 4 BOLT HYDRAULIC FLANGE	1.62, 1.97, 2.14, 2.33, 2.55, 2.79, 2.93, 3.40, 4.00, 4.79	CLR & CLV	ONE-PIECE



NOTES:

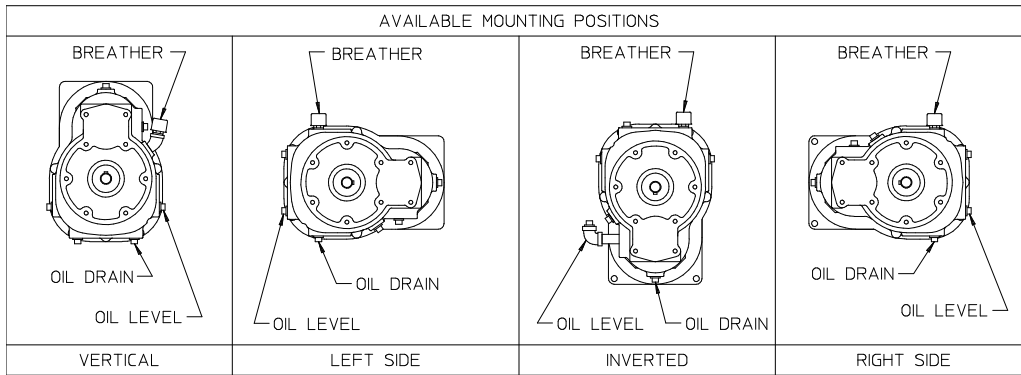
- SEE PAGE 3 FOR TRANSMISSION MOUNTING POSITIONS.
OPTIONAL SAE CLASS C 2 OR 4 BOLT HYDRAULIC
PUMP INTAKE ADAPTER.
- TACHOMETER CONNECTION NOT AVAILABLE.

**MEDIUM DUTY K TRANSMISSION
FOR PUMP MODELS: CLV & CLR**
TWO GEAR WITHOUT HYDRAULIC CLUTCH, P.T.O. DRIVEN

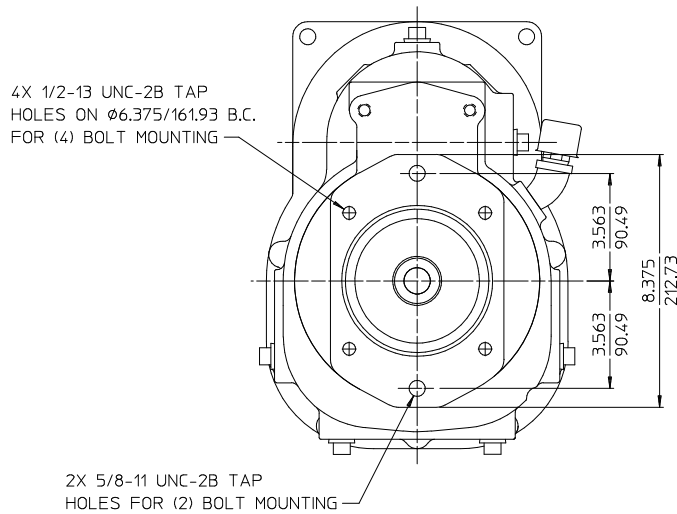
ALL DIMENSIONS SHOWN IN INCH/MILLIMETER

($\frac{\text{INCH}}{\text{MILLIMETER}}$)

MEDIUM DUTY K TRANSMISSION
DPL82076
WATEROUS COMPANY
SOUTH ST. PAUL, MN 55075
PAGE 3 OF 4

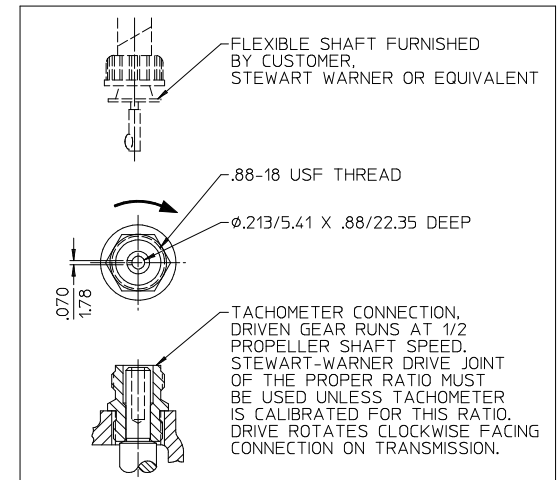
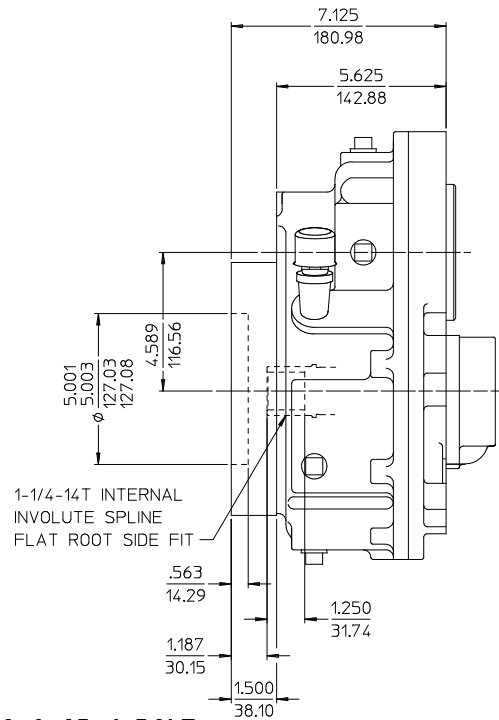


NOTE: ALL PUMP MOUNTING POSITIONS ARE NOT AVAILABLE ON ALL PUMP MODELS.
SEE PUMP DRAWINGS FOR MOUNTING POSITIONS AVAILABLE FOR EACH PUMP MODEL.



**OPTIONAL SAE CLASS C 2 OR 4 BOLT
HYDRAULIC PUMP INPUT FLANGE**

(AVAILABLE FOR CLOCKWISE OR COUNTERCLOCKWISE INPUT)



**DETAIL A
MECHANICAL DRIVE TACHOMETER CONNECTION**

NOTES:

- TACHOMETER CONNECTIONS CANNOT BE FURNISHED FOR THE FOLLOWING TRANSMISSION MOUNTING POSITIONS
INVERTED - EITHER INPUT ROTATION
LEFT SIDE - CLOCKWISE INPUT ROTATION
RIGHT SIDE - COUNTERCLOCKWISE INPUT ROTATION.
- TACHOMETER CONNECTION NOT AVAILABLE WITH TRANSMISSION FOR PUMP MODELS CLR & CLV.

ALL DIMENSIONS SHOWN IN INCH/MILLIMETER

($\frac{\text{INCH}}{\text{MILLIMETER}}$)

**MEDIUM DUTY K TRANSMISSION
DPL82076**

**WATEROUS COMPANY
SOUTH ST. PAUL, MN 55075**

PAGE 4 OF 4