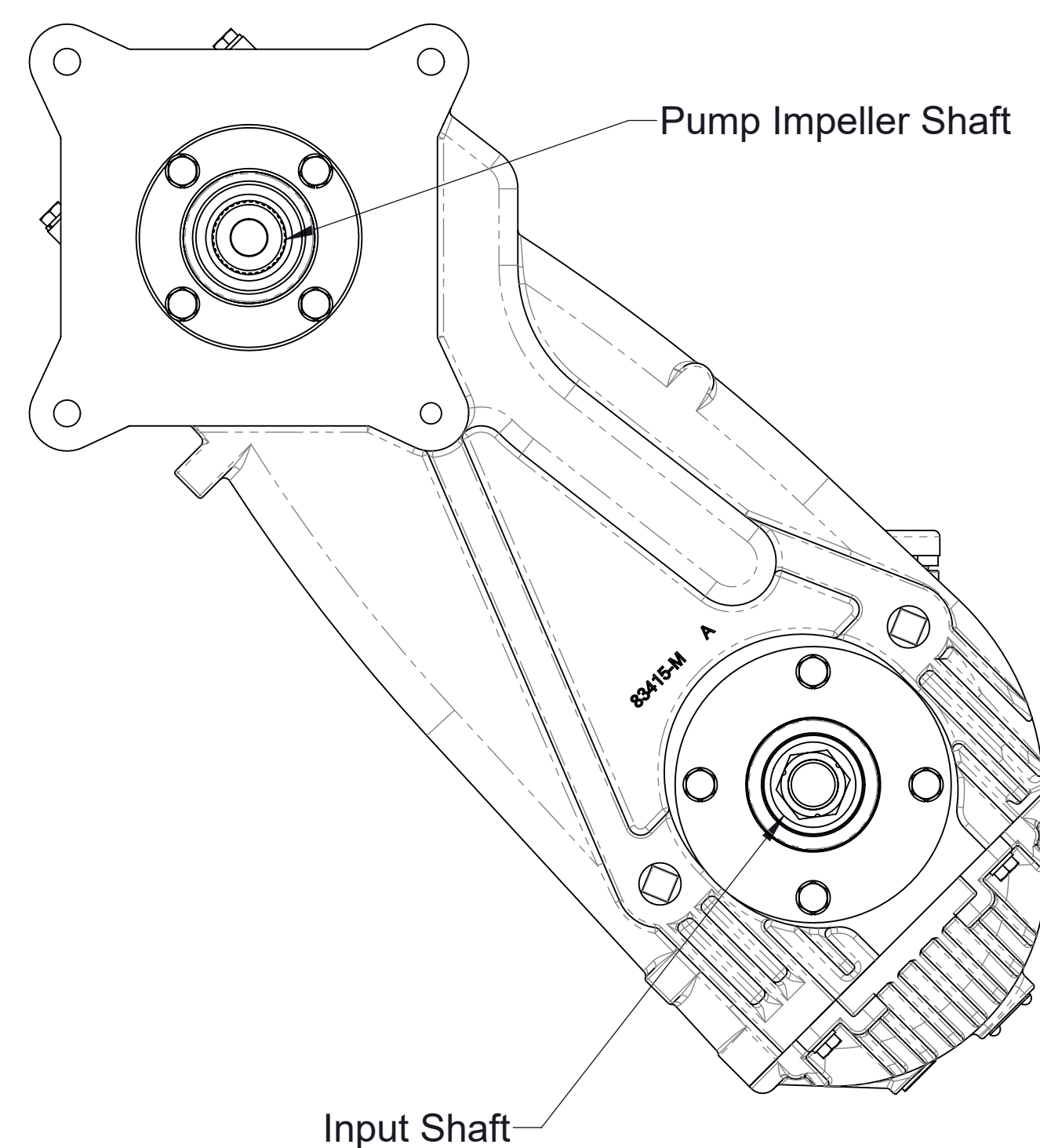
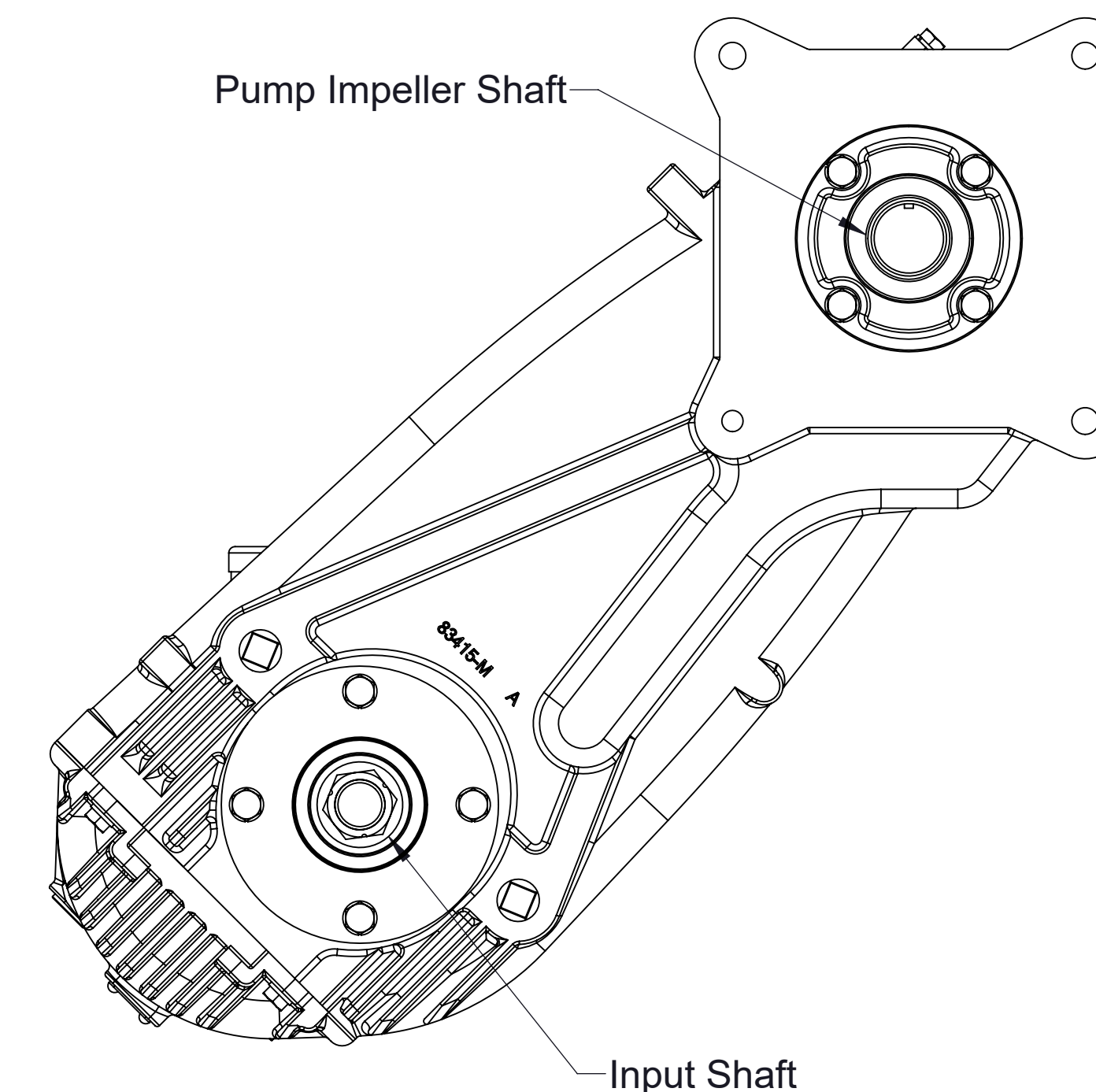


## Dimensional Drawings For PA Series Transmission

Driveline		Pump Series	Complete Pump and Transmission model	Optional Rear Facing Shaft (Connection opposite pump)	See Page				
Spline	Type				Case Mounting		Optional		
					Vertical (Right)	Horizontal (Left)	Rear Shaft	Tachometer	End Yokes and Companion Flanges
1-1/2-10 SAE	Input Shaft Only	CM/CS	CMPA, CMUPA, CSPA, CSUPA	None	2	N/A	7	8	See Drawing DPL83861
				Shaft with 1-3/8-10 SAE Spline					
		S100	S100PA	None	4				
		CG	CGNPA, CGRPA, CGGPA, CGMPA, CGVNPA, CGVRPA, CGVGPA	None	2	3			
		CL	CLRPA, CLSPA, CLVPA	None					
	CX	CXNPA, CXSPA, CXVPA	None	5	6				
			Hydraulic Adapter Flange						
	Input and Output Shaft	CG	CGNPA, CGRPA, CGGPA, CGMPA, CGVNPA, CGVRPA, CGVGPA	None	5	6			
		CL	CLRPA, CLSPA, CLVPA	None					
CX		CXNPA, CXSPA, CXVPA	None						
	Hydraulic Adapter Flange								

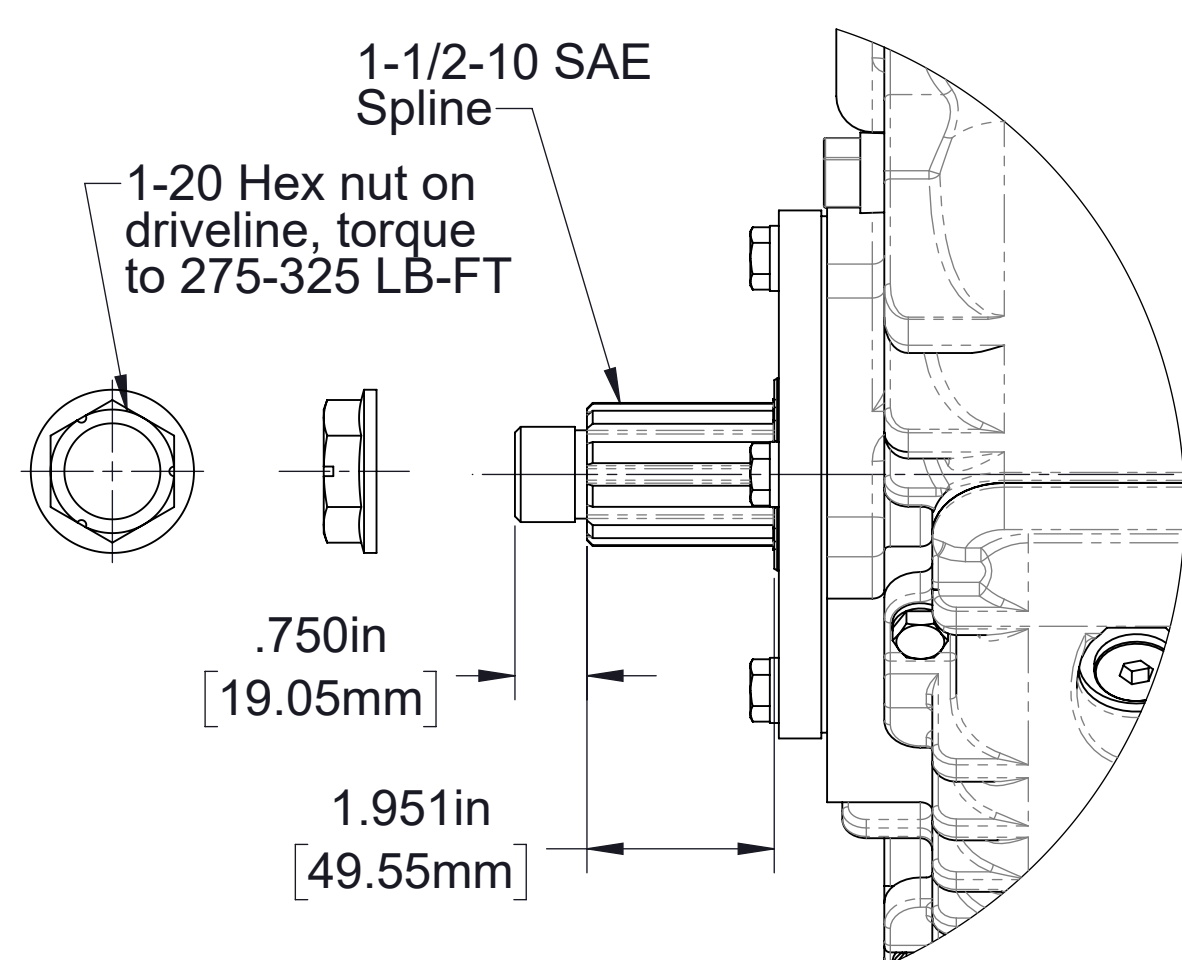
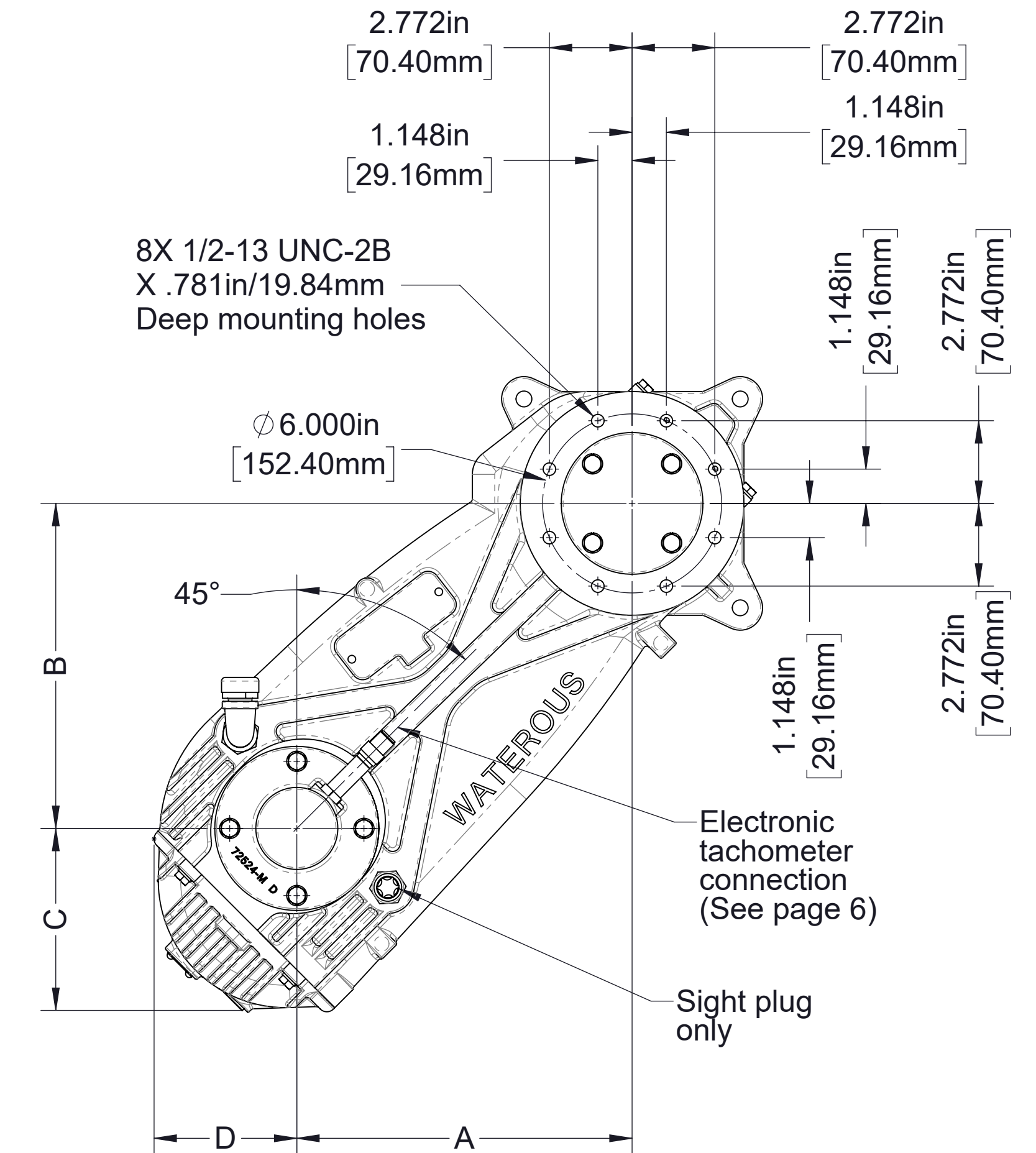
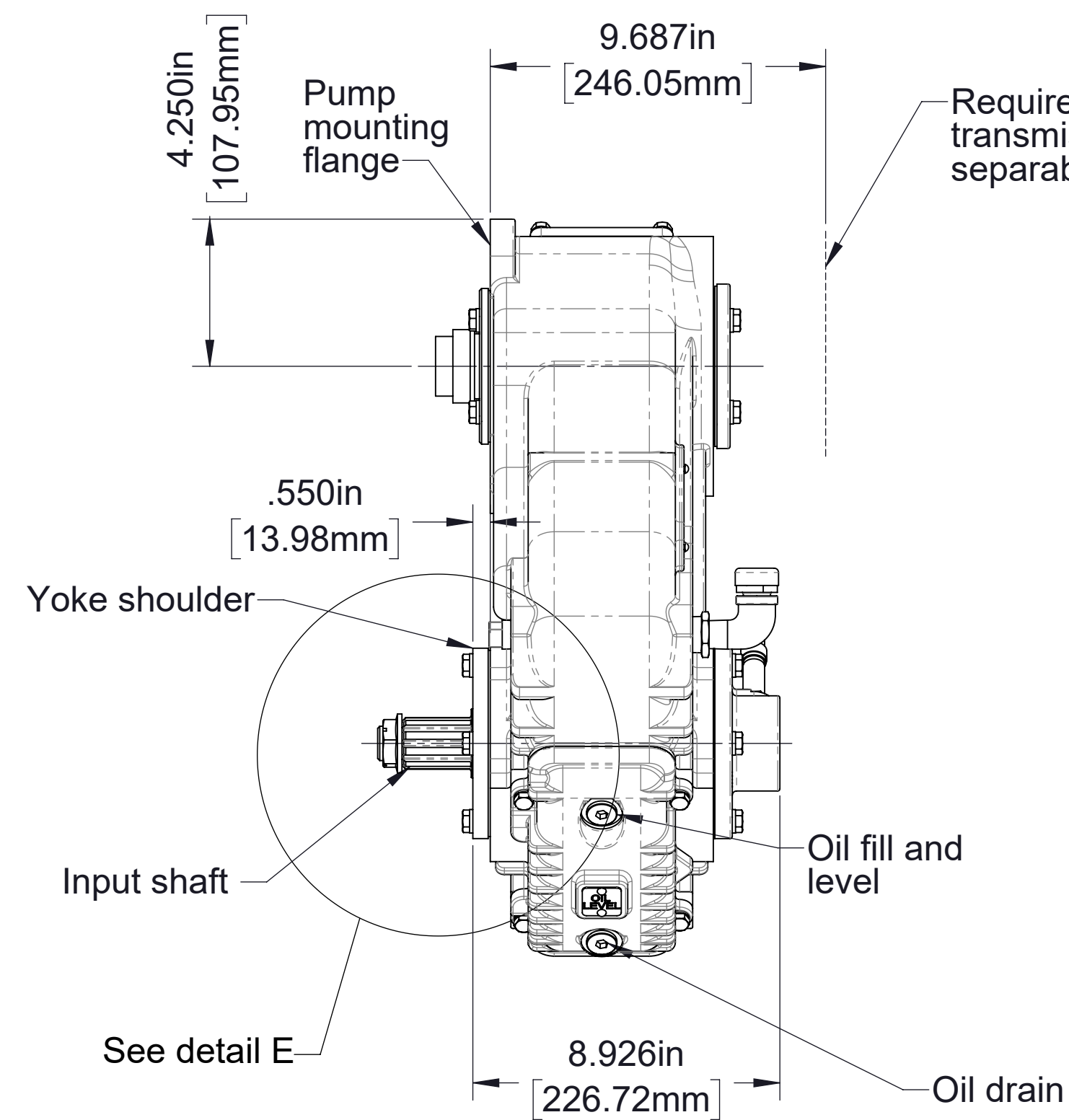
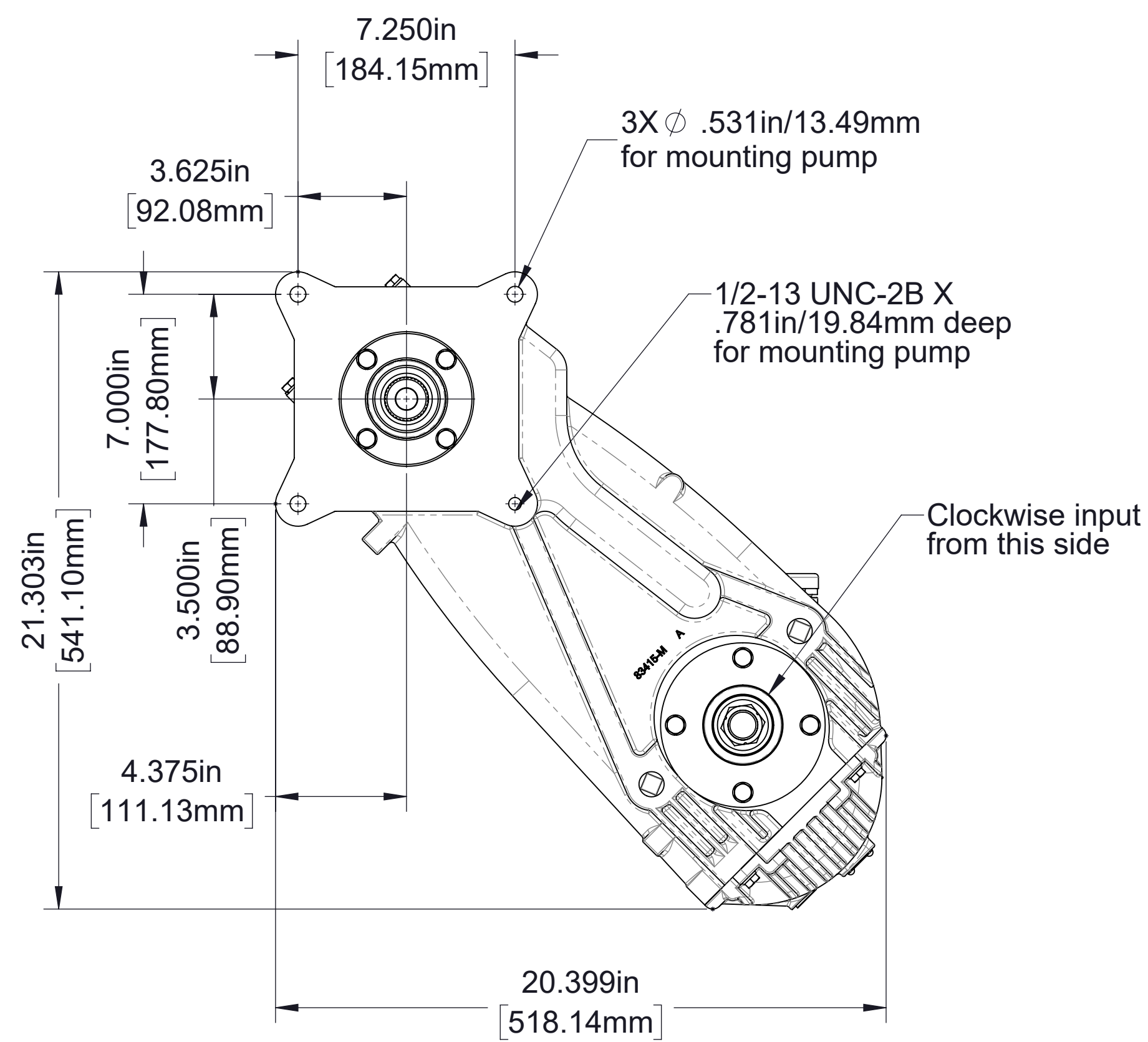
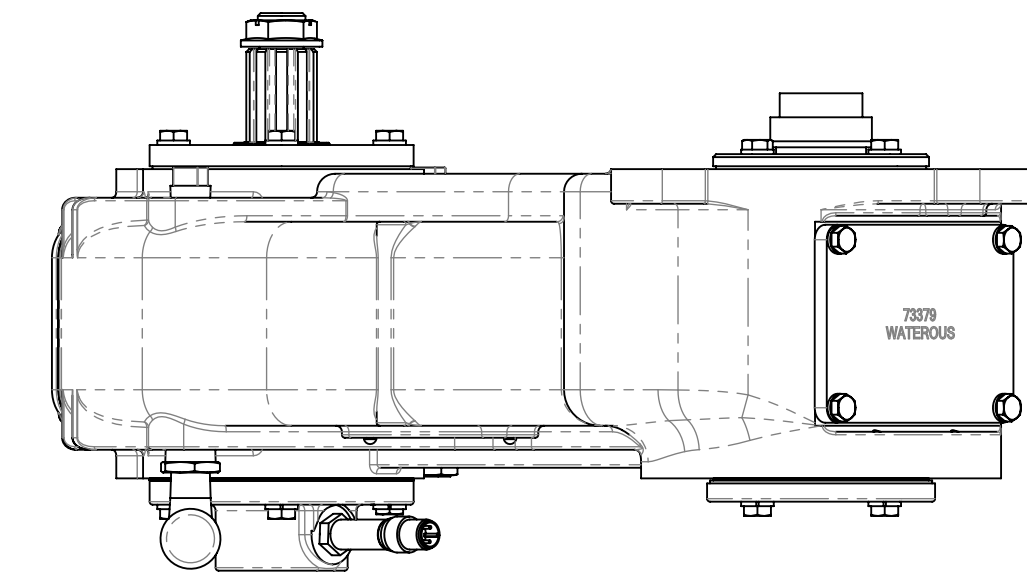


**Vertical (Right) Mounting**



**Horizontal (Left) Mounting**

Drive Line		Ratio	Dim A	Dim B	Dim C	Dim D	Model
Size	Spline						
1-1/2 Inch	1-1/2-10 SAE	1.00	11.442in 290.62mm	11.200in 284.48mm	5.855in 148.71mm	4.582in 116.39mm	PA
		1.70	11.288in 286.71mm	10.943in 277.94mm	6.111in 155.22mm	4.737in 120.32mm	
		1.90	11.269in 286.24mm	10.924in 277.47mm	6.130in 155.70mm	4.755in 120.79mm	
		2.10	11.239in 285.46mm	10.894in 276.70mm	6.160in 156.46mm	4.786in 121.56mm	

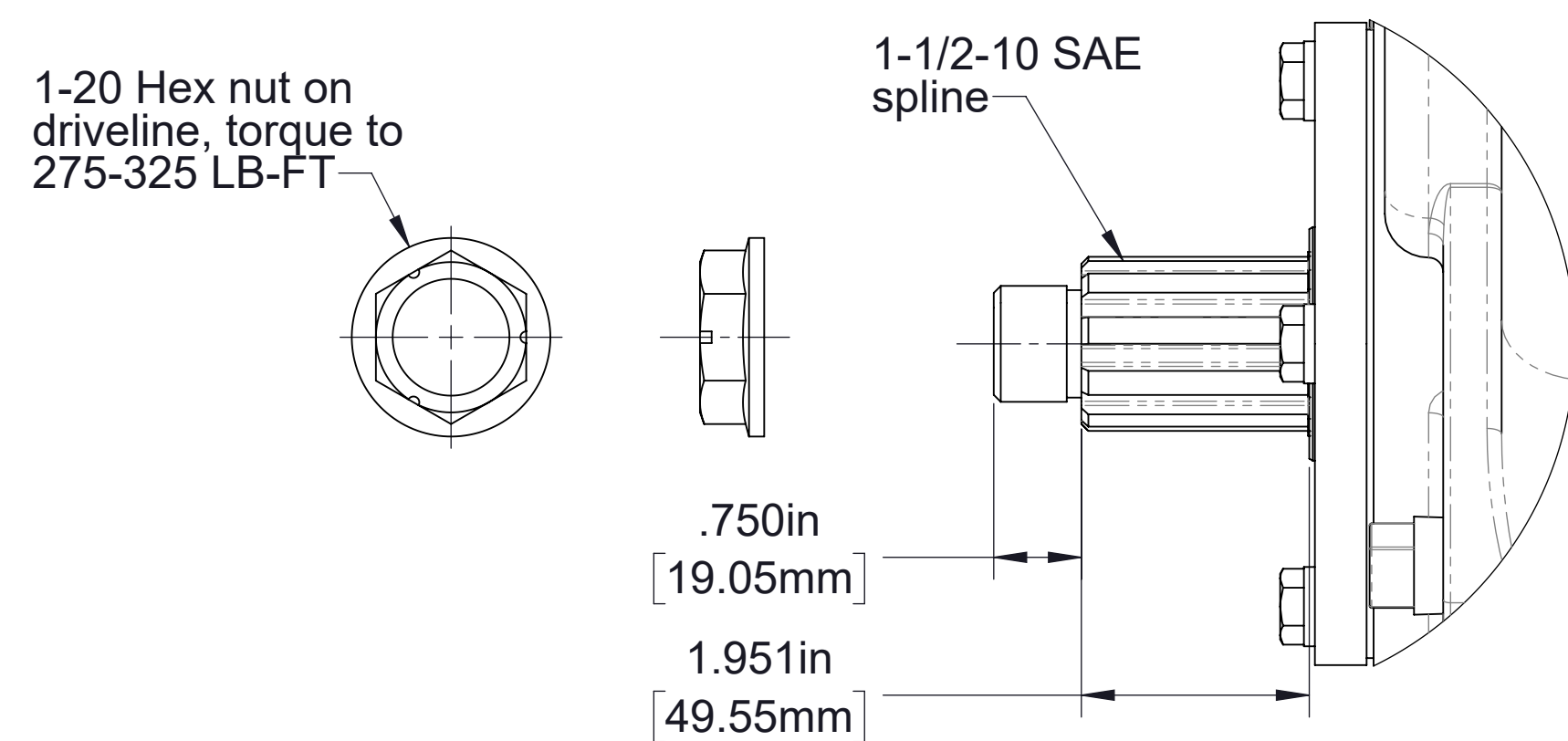
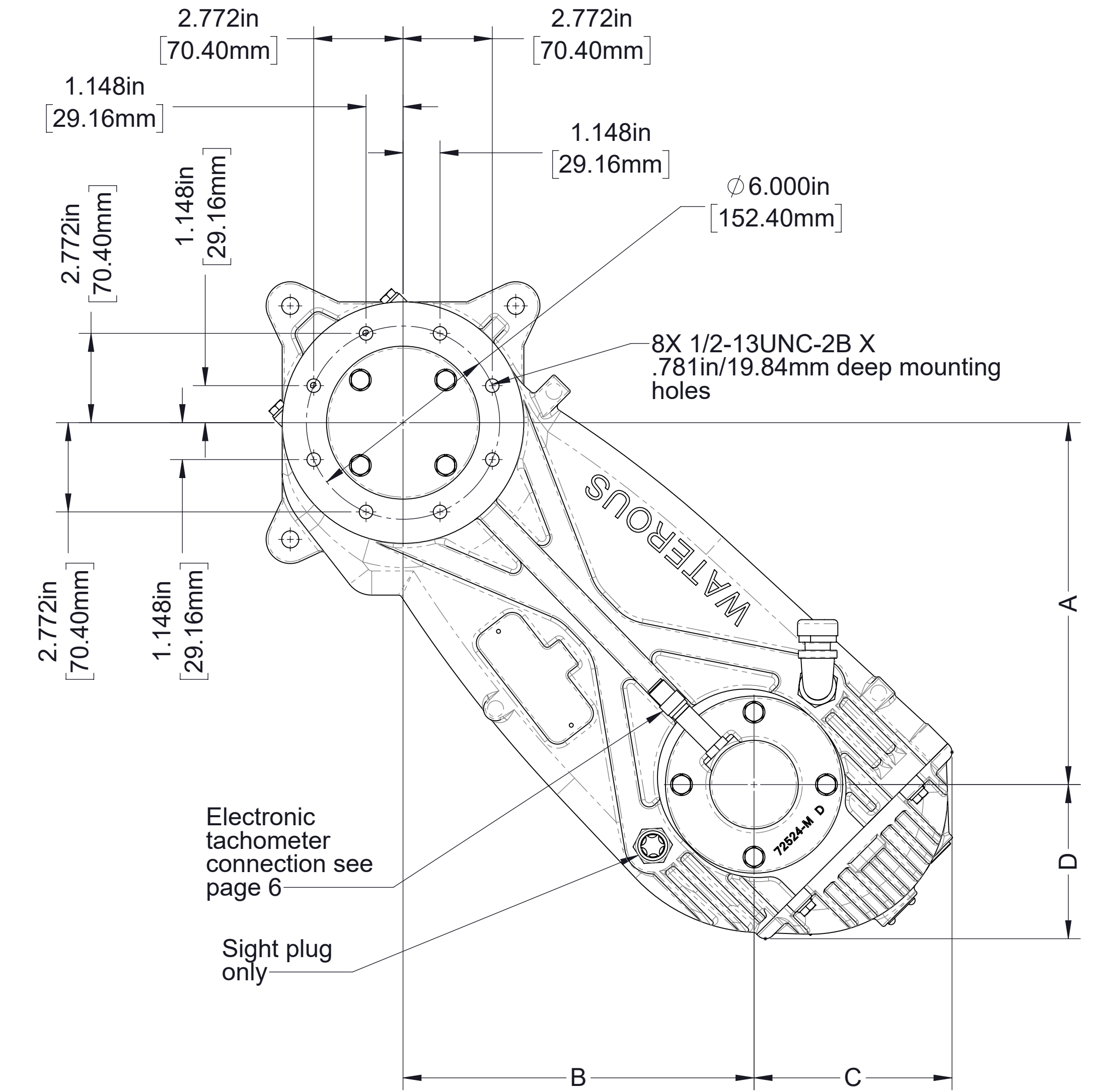
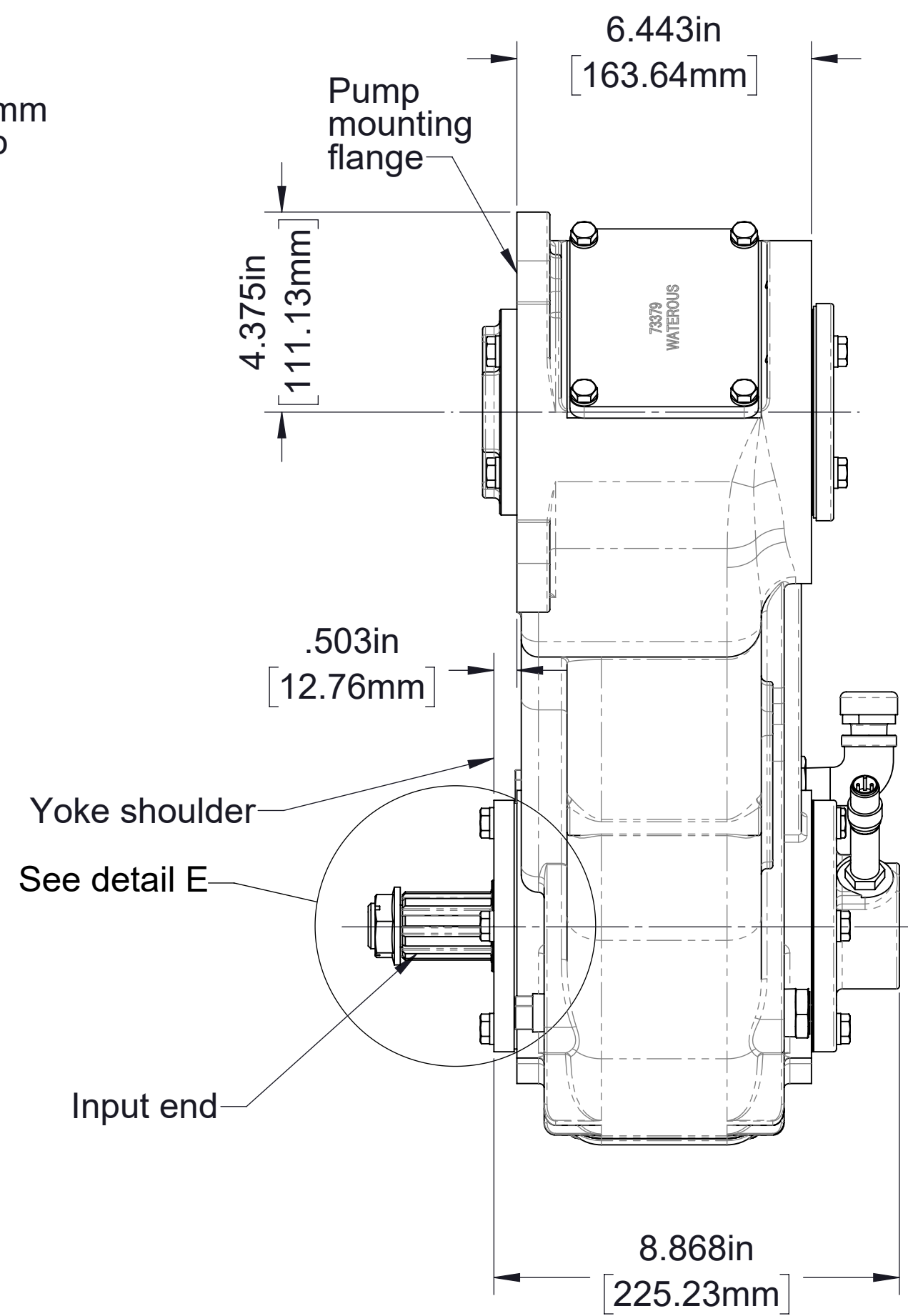
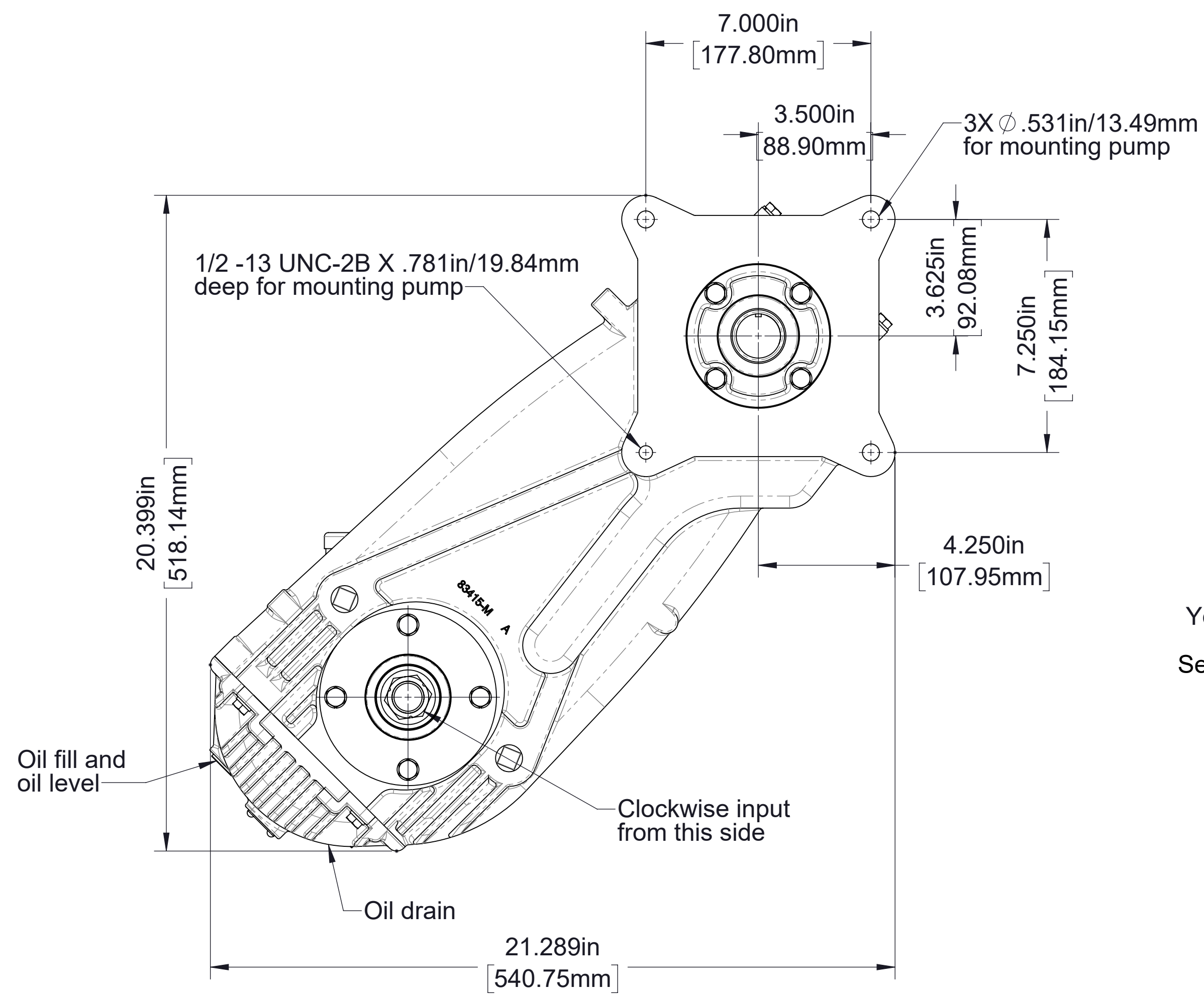
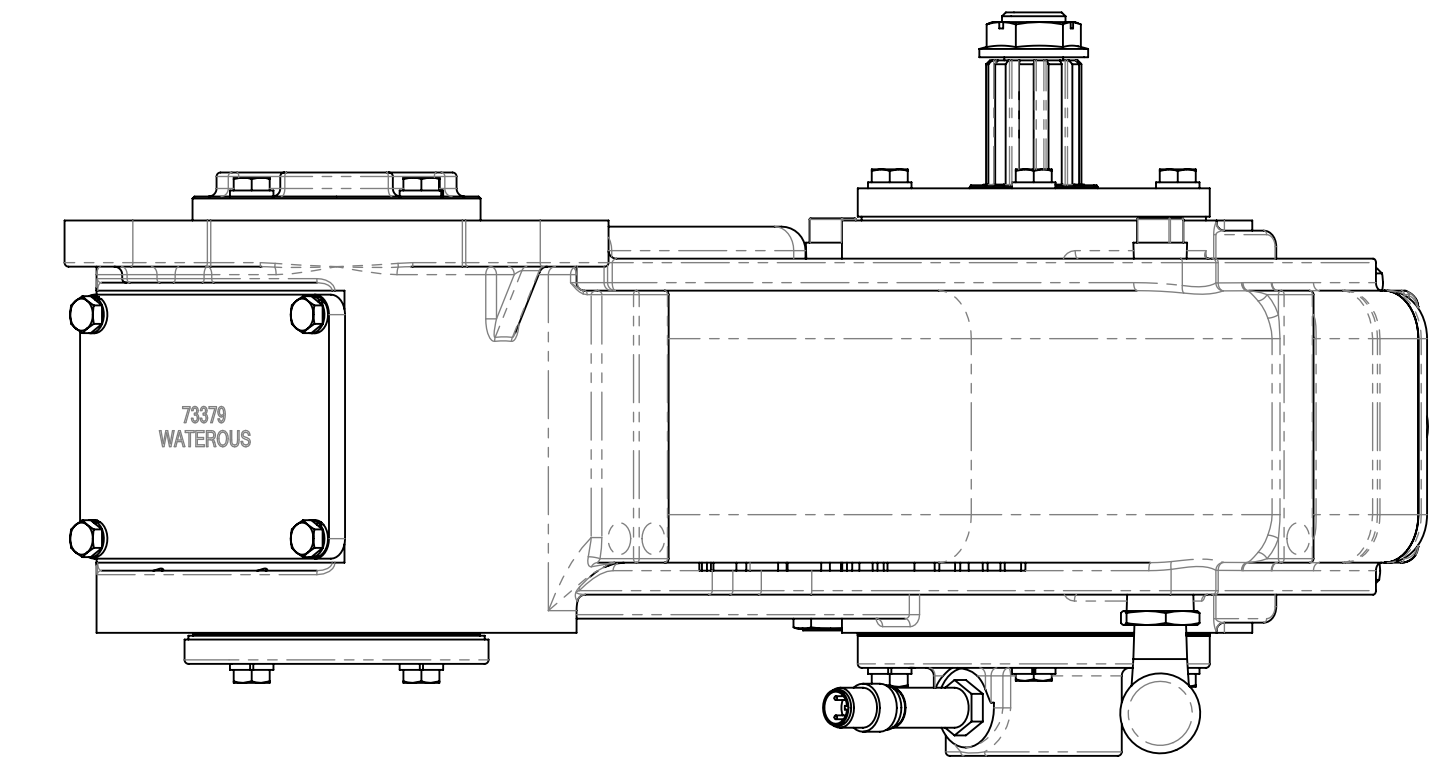


Detail E

**PA Transmission For CM, CS, CG, CL, CX, CM/CPK & CS/CPK Series Pumps**  
P.T.O. Driven, Clockwise Input  
See Table For Available Ratios  
(Model PA 2.10 Ratio Shown)



Drive Line		Ratio	Dim A	Dim B	Dim C	Dim D	Model
Size	Spline						
1-1/2 Inch	1-1/2-10 SAE	1.70	11.288in 286.71mm	10.943in 277.94mm	6.111in 155.22mm	4.737in 120.32mm	PA
		1.90	11.269in 286.24mm	10.924in 277.47mm	6.130in 155.70mm	4.755in 120.79mm	
		2.10	11.239in 285.46mm	10.894in 276.70mm	6.160in 156.46mm	4.786in 121.56mm	

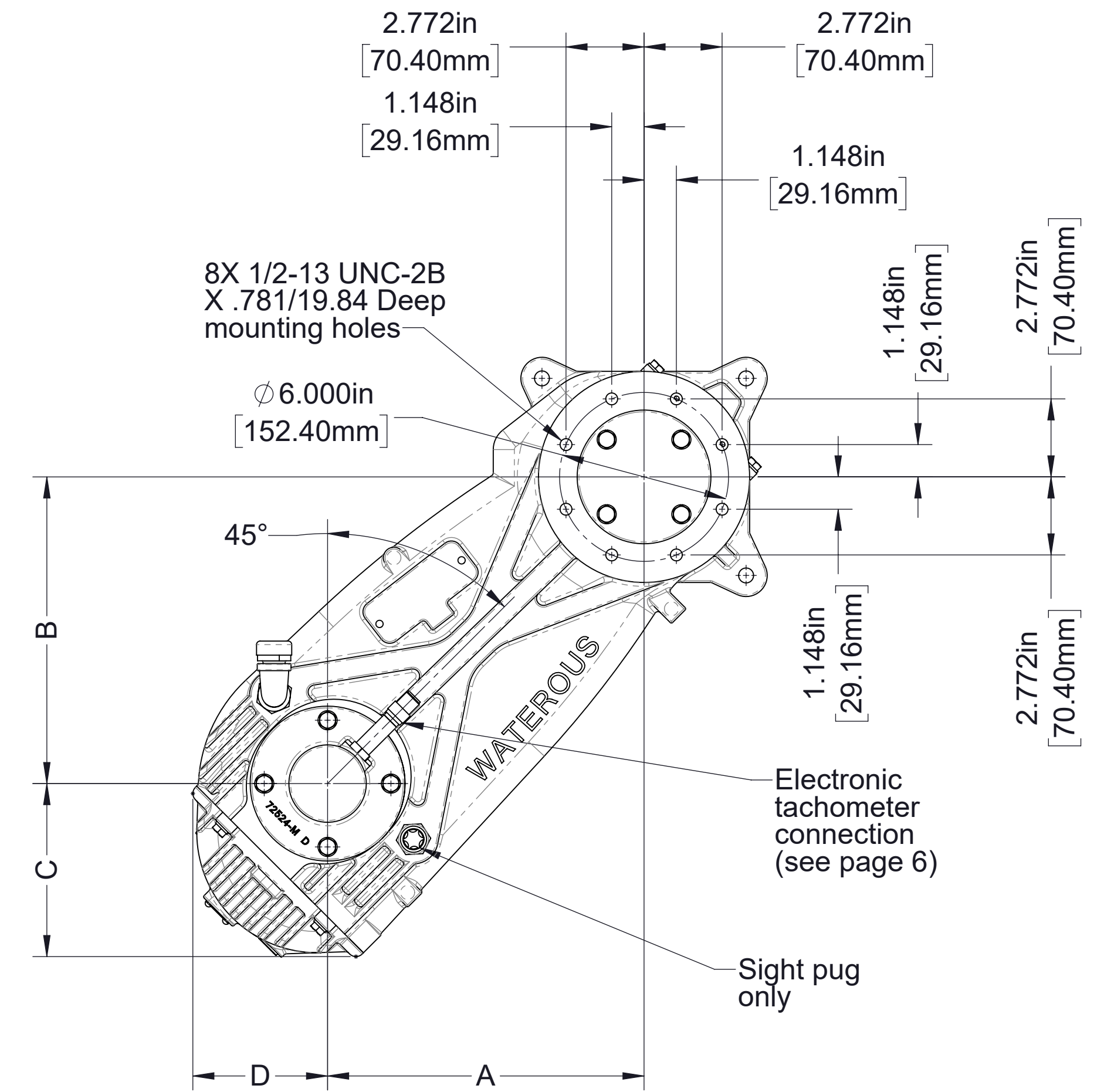
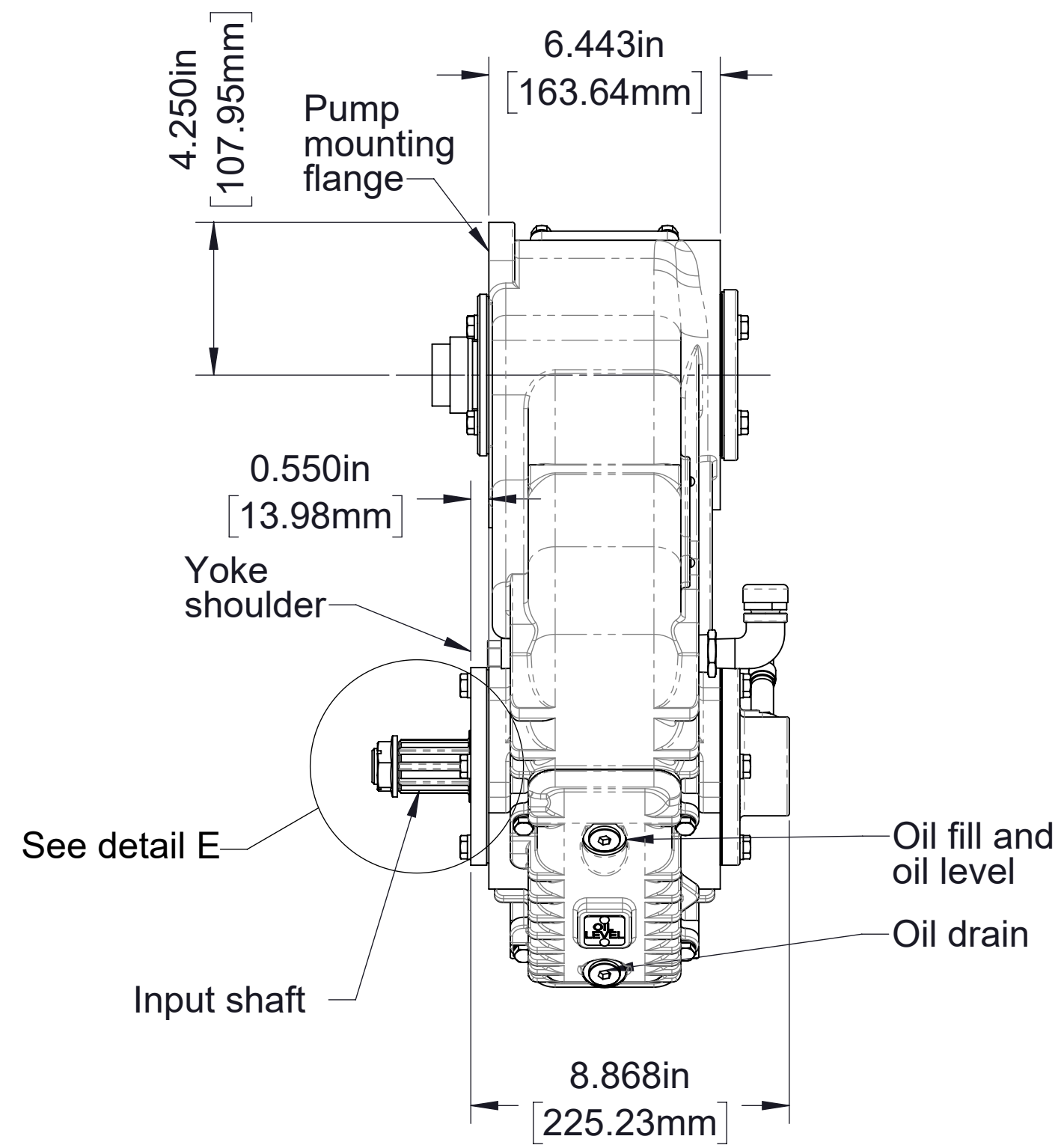
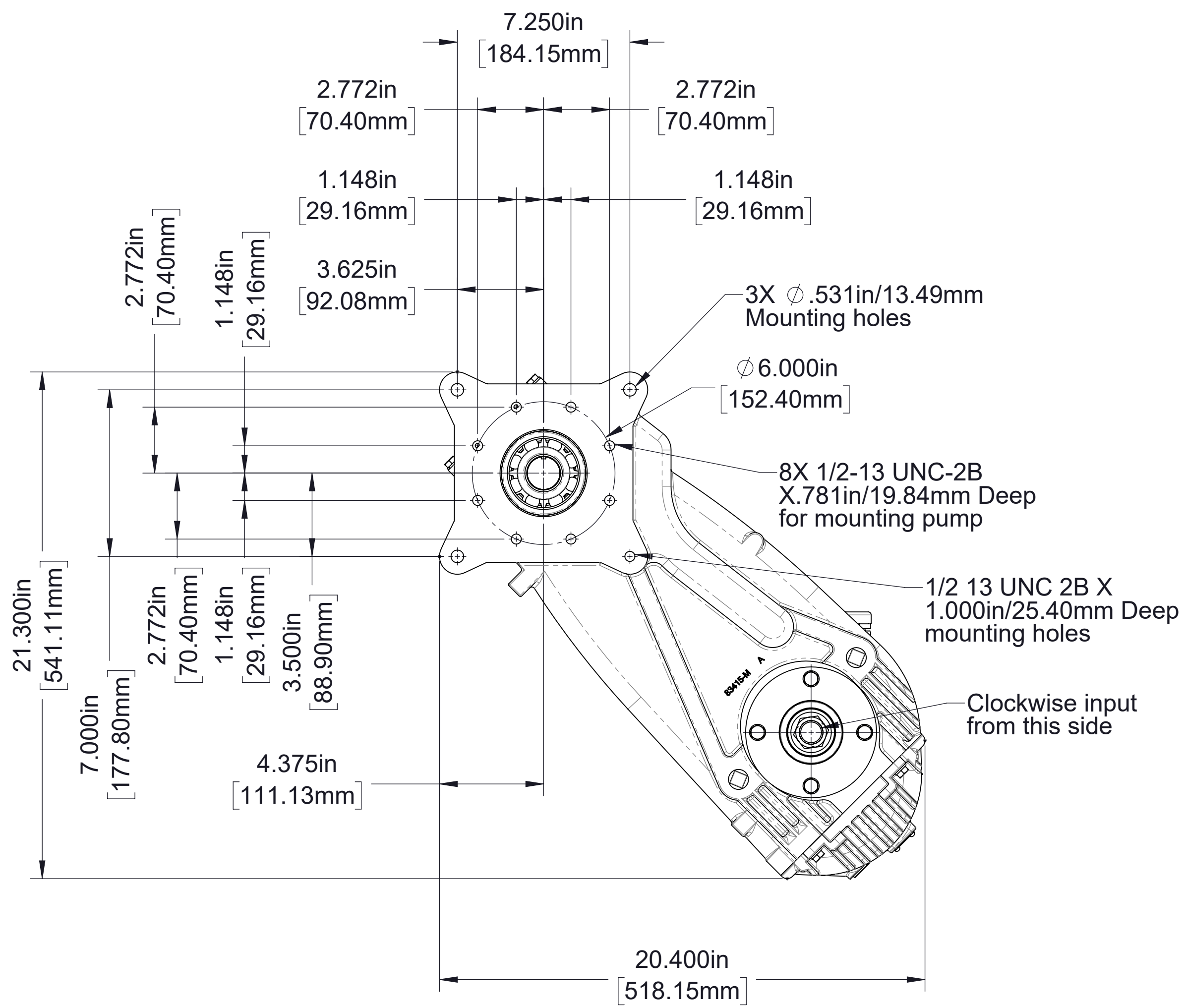
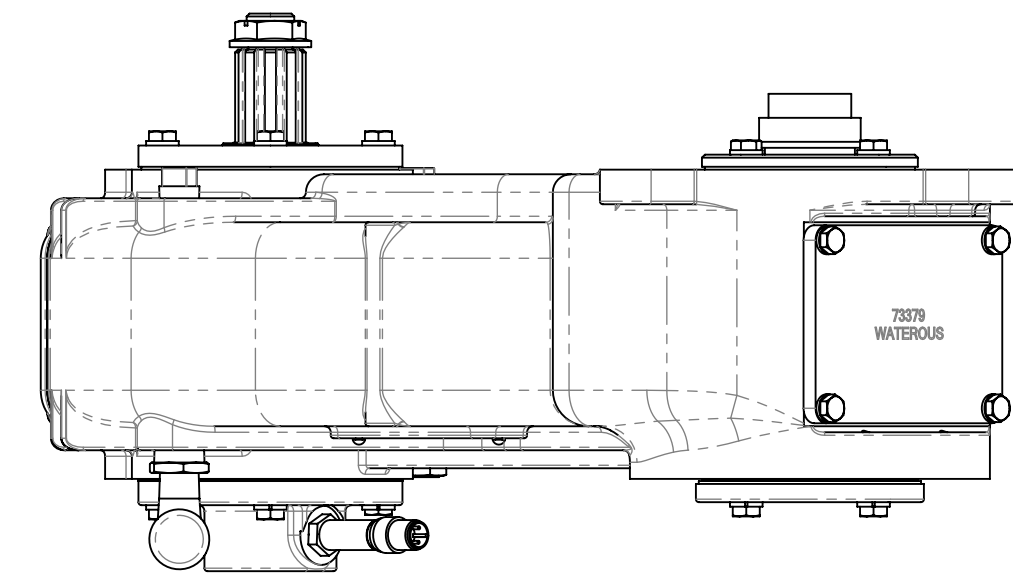


Detail E

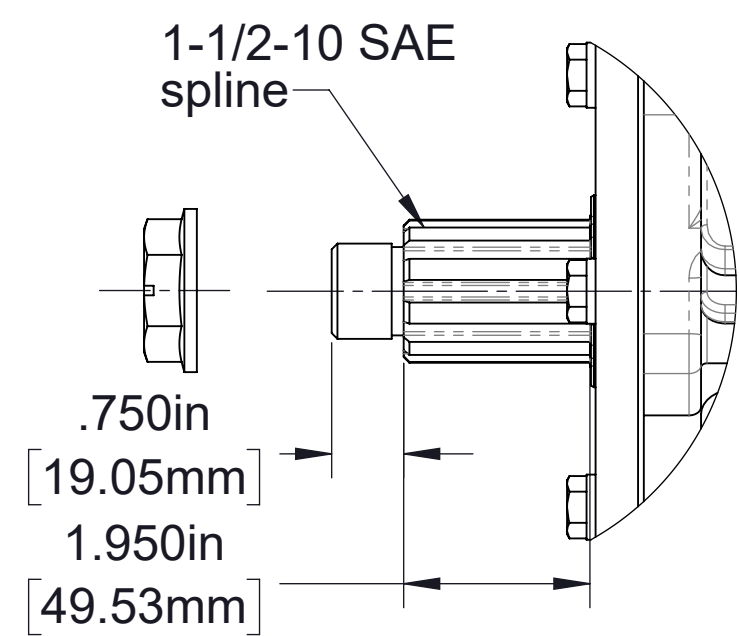
**PA Transmission For CG, CL, CX Series Pumps**  
 Horizontal Mounted, P.T.O. Driven, Clockwise Input  
 See Table For Available Ratios  
 (Model PA 2.10 Ratio Shown)



Drive Line		Ratio	Dim A	Dim B	Dim C	Dim D	Model
Size	Spline						
1-1/2 Inch	1-1/2-10 SAE	1.70	11.288in 286.71mm	10.973in 277.94mm	6.111in 155.22mm	4.737in 120.32mm	PA
		1.90	11.269in 286.24mm	10.924in 277.47mm	6.130in 155.70mm	4.755in 120.79mm	
		2.10	11.39in 289.46mm	10.894in 276.70mm	6.160in 156.46mm	4.786in 121.56mm	



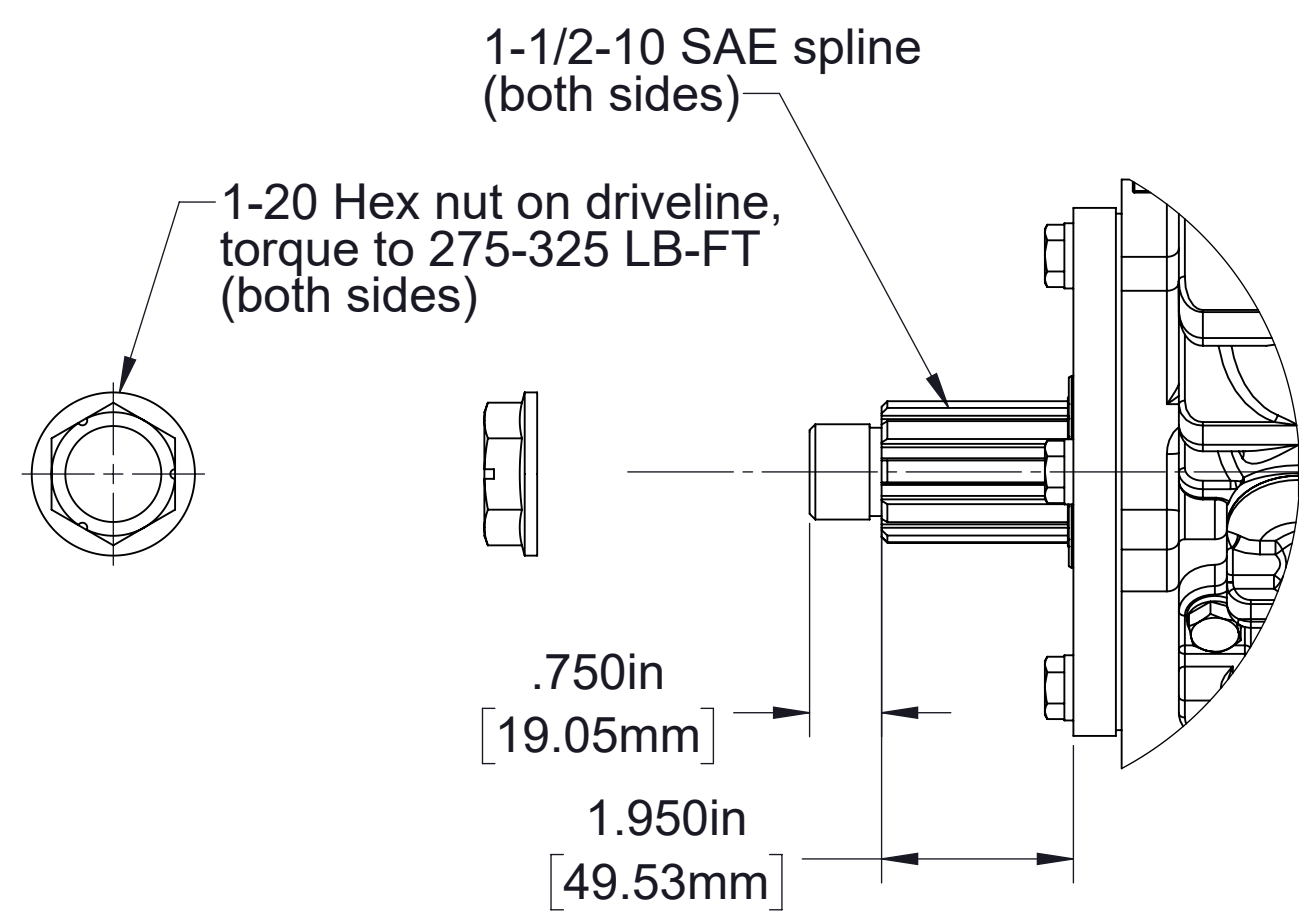
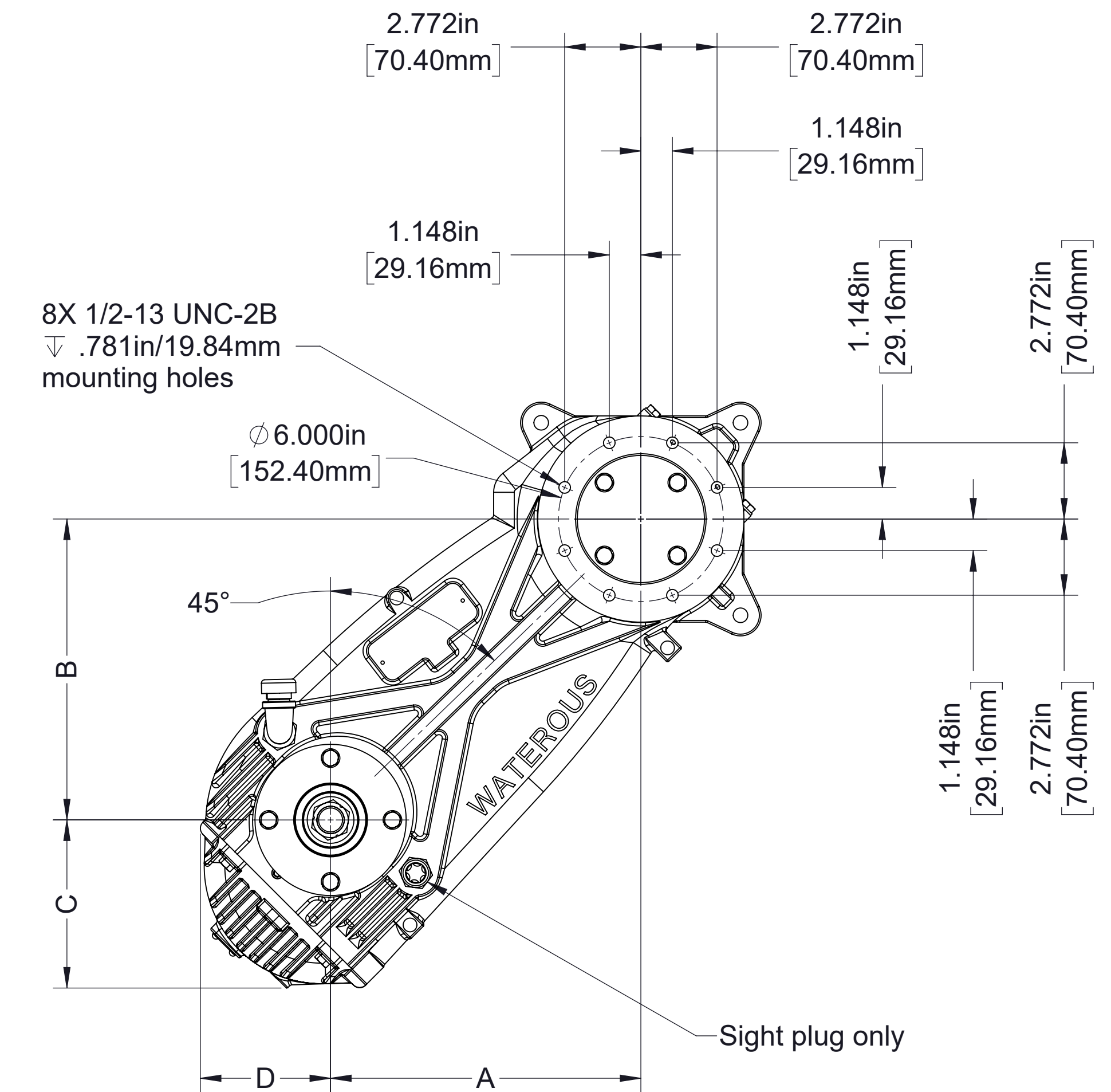
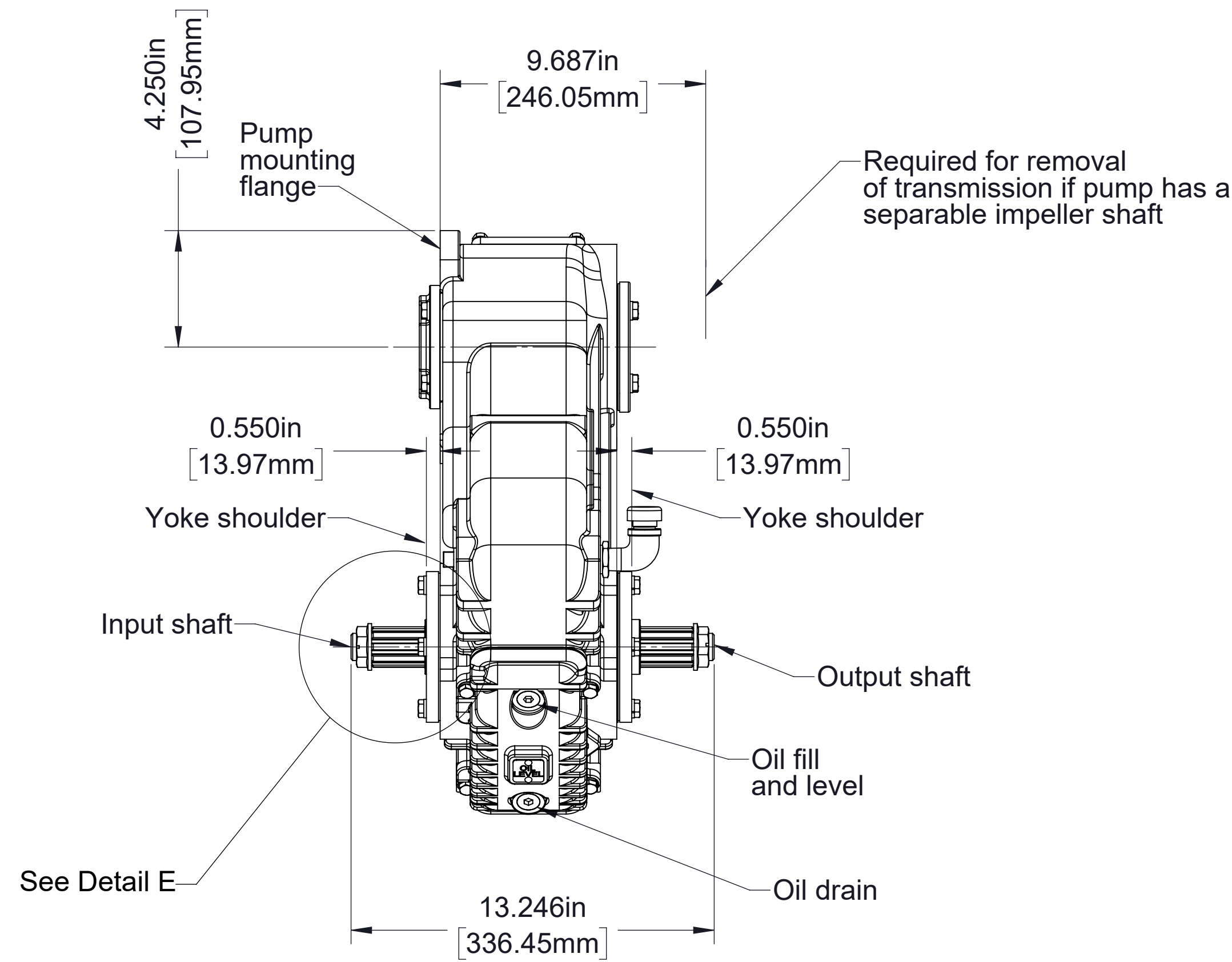
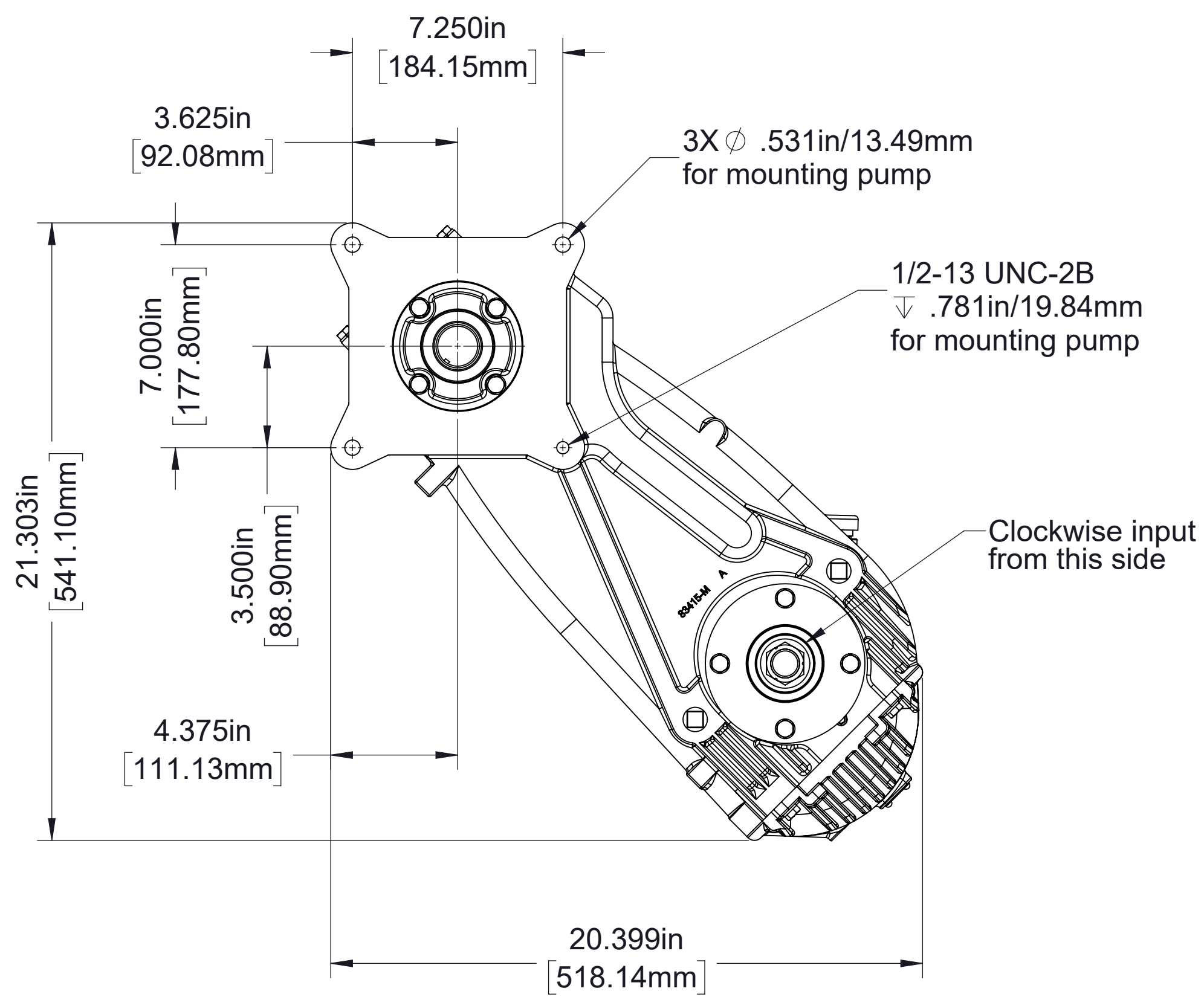
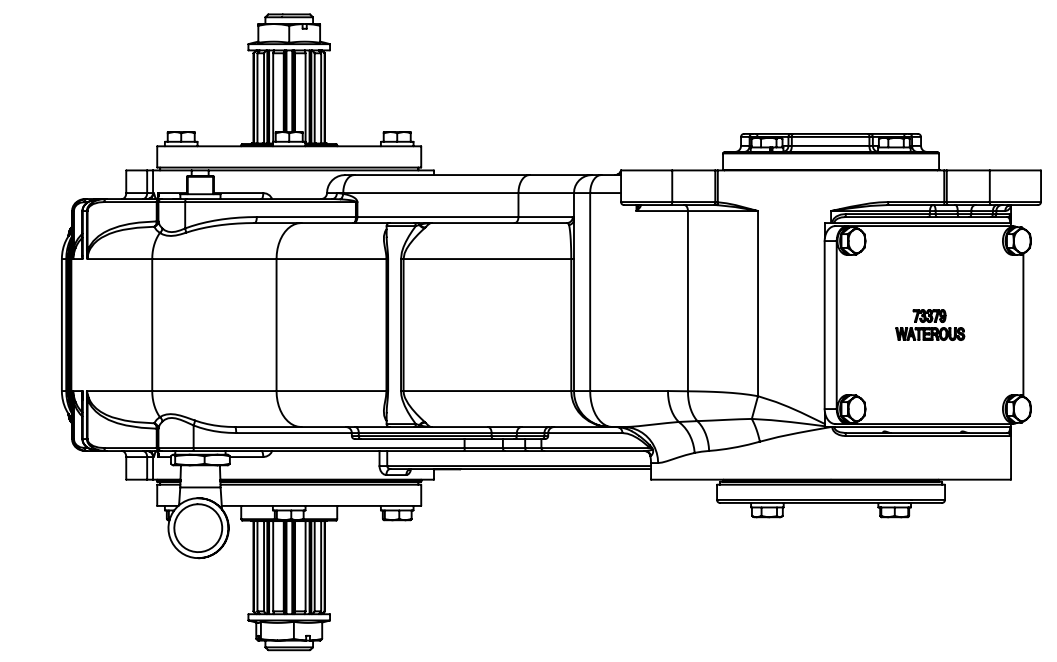
1-20 Hex nut on driveline, torque to 275-325 LB-FT



Detail E

**PA Transmission For S100 Series Pumps**  
P.T.O. Driven, Clockwise Input  
See Table For Available Ratios  
(Model PA 2.10 Ratio Shown)

Drive Line		Ratio	Dim A	Dim B	Dim C	Dim D	Model
Size	Spline						
1-1/2 Inch	1-1/2-10 SAE	1.70	11.288in 286.71mm	10.943in 277.94mm	6.111in 155.22mm	4.737in 120.32mm	PA
		1.90	11.269in 286.24mm	10.924in 277.47mm	6.130in 155.70mm	4.755in 120.79mm	
		2.10	11.239in 285.46mm	10.894in 276.70mm	6.160in 156.46mm	4.786in 121.56mm	

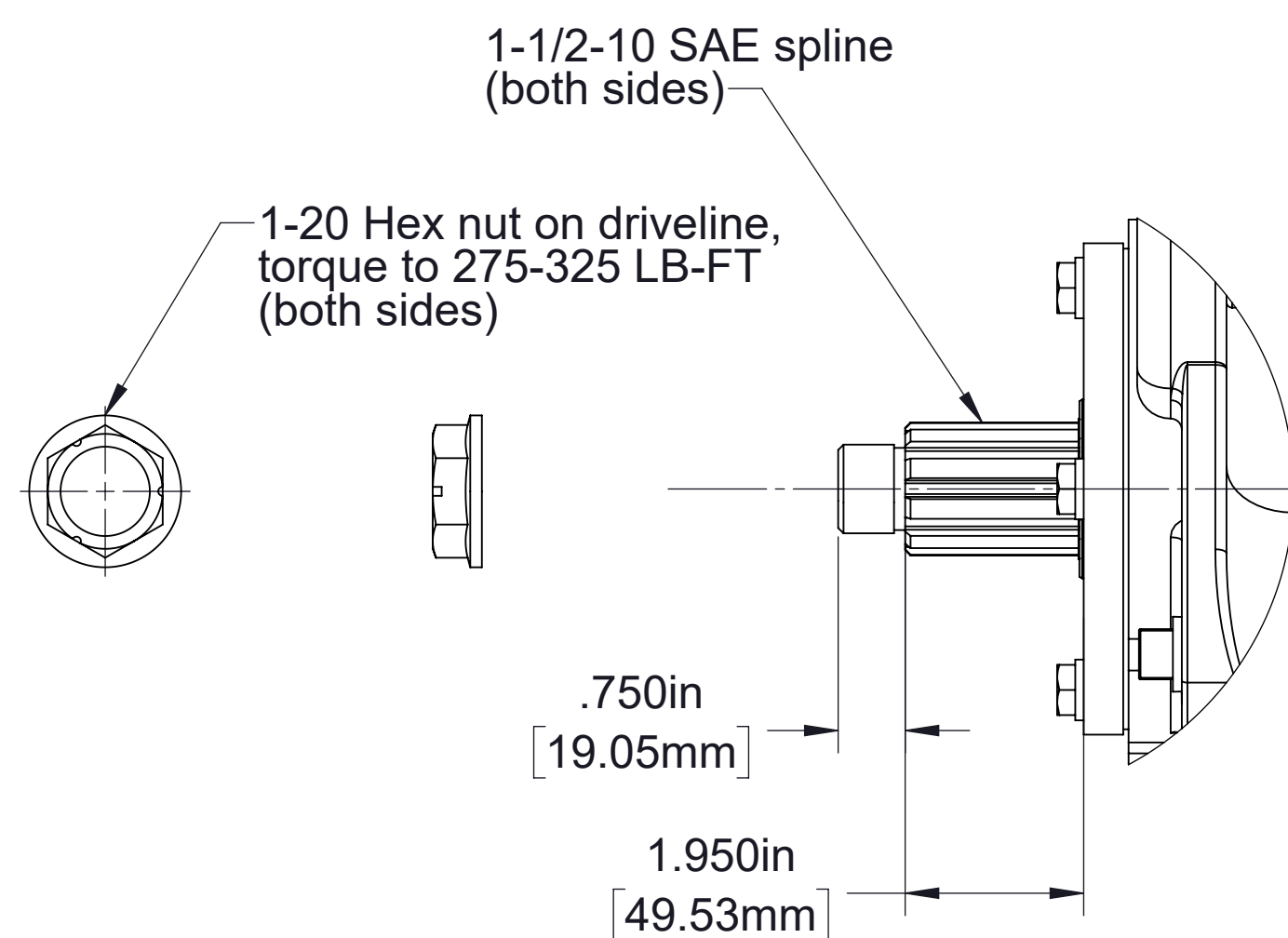
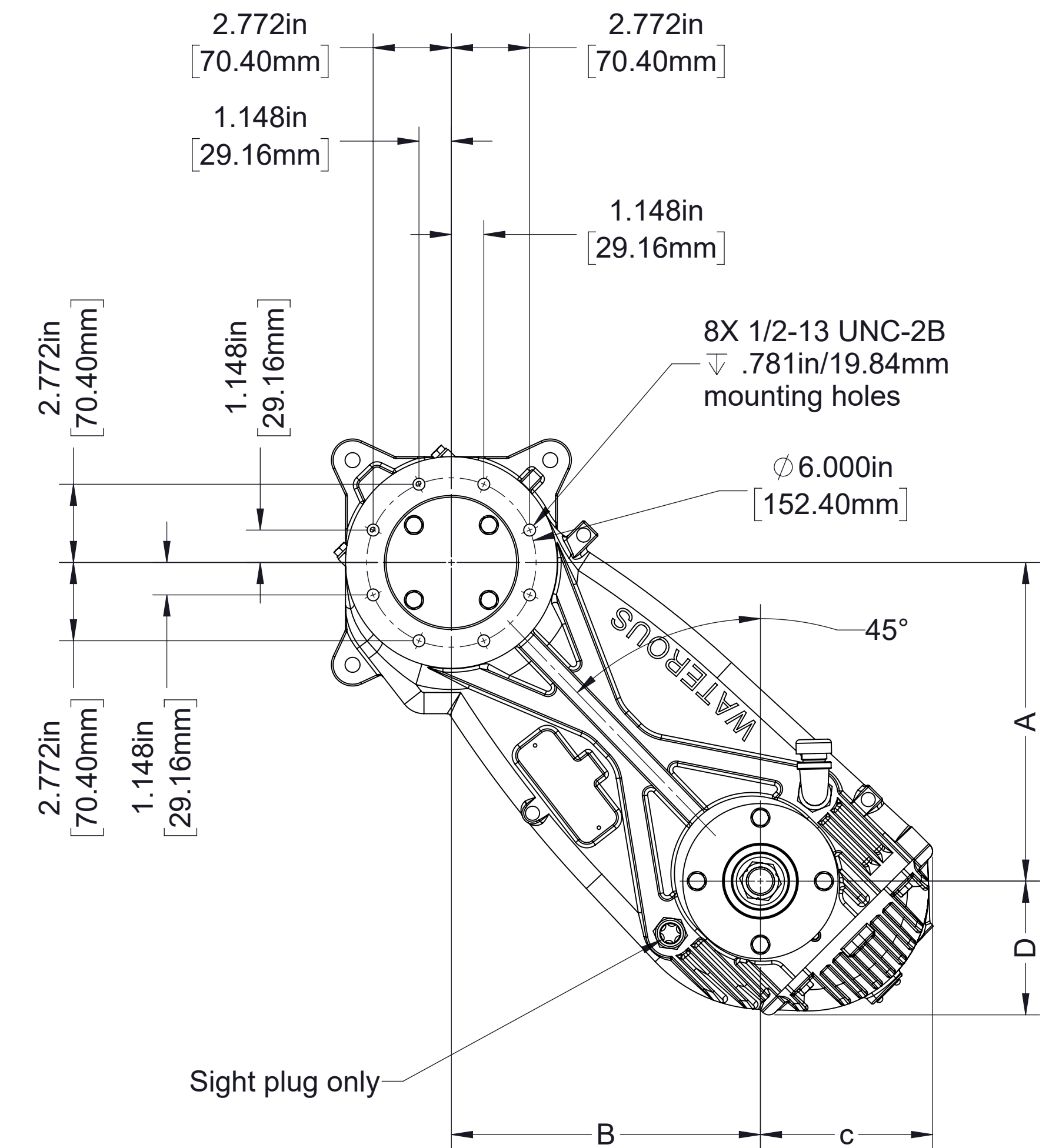
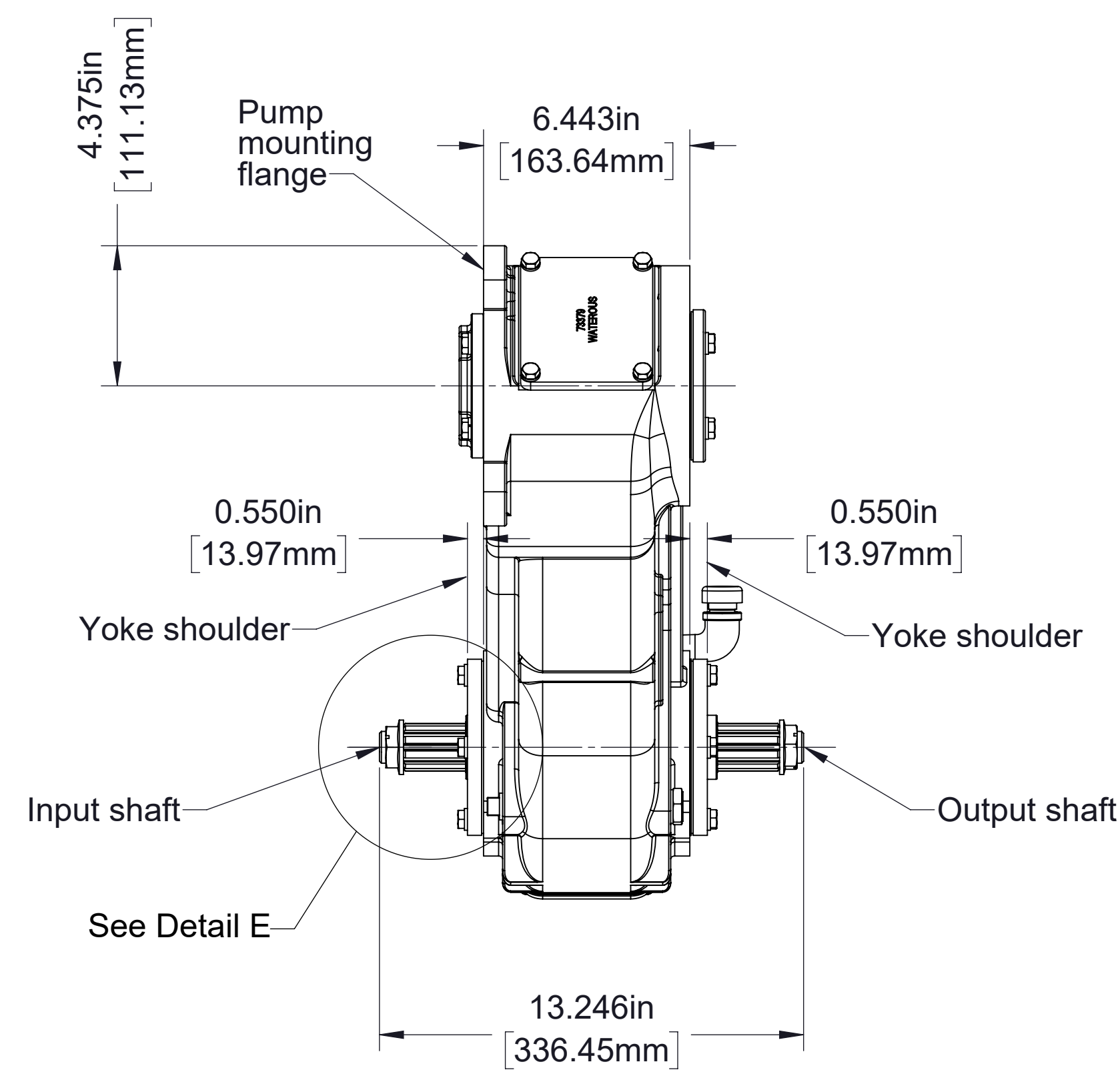
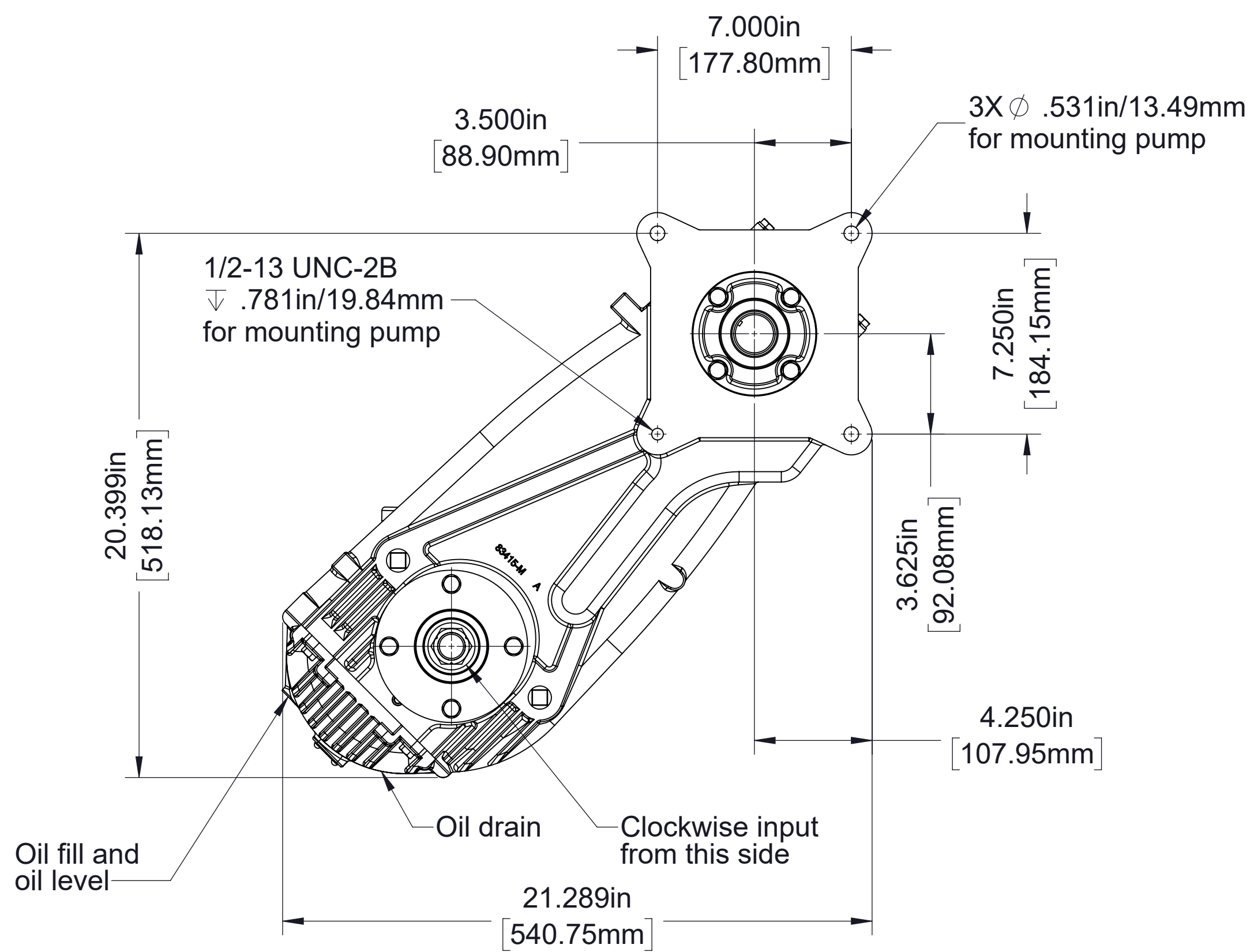
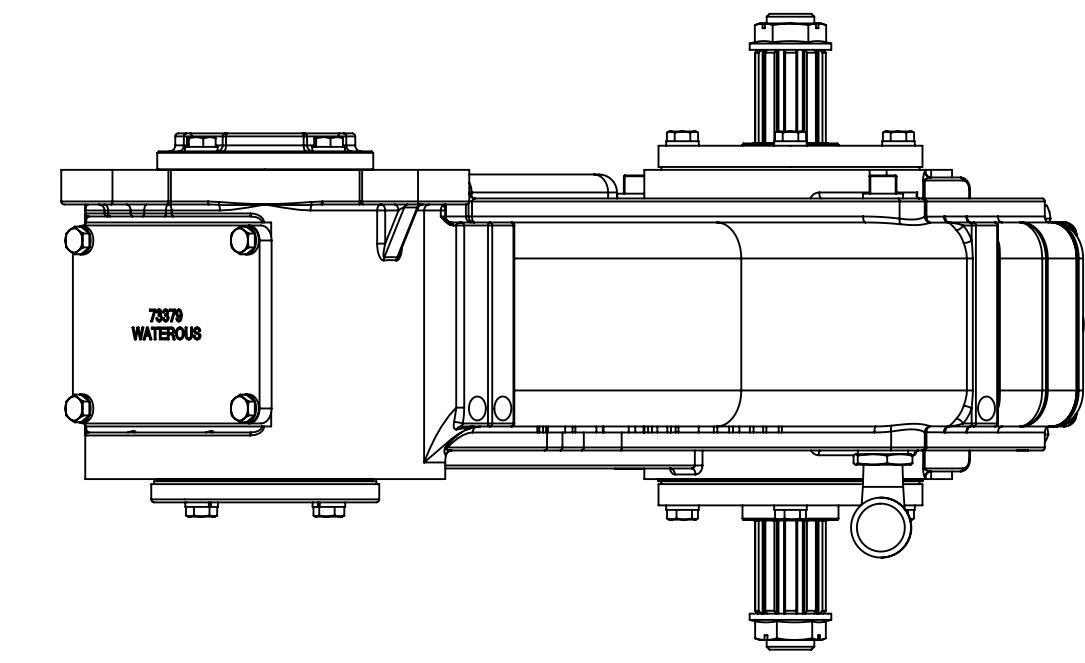


**Detail E**

**PA Transmission For CM, CS, CG, CL, CX, CM/CPK & CS/CPK Series Pumps**  
P.T.O. Driven, Clockwise Input, Input and Output Shaft  
See Table For Available Ratios  
(Model PA 1.70 Ratio Shown)

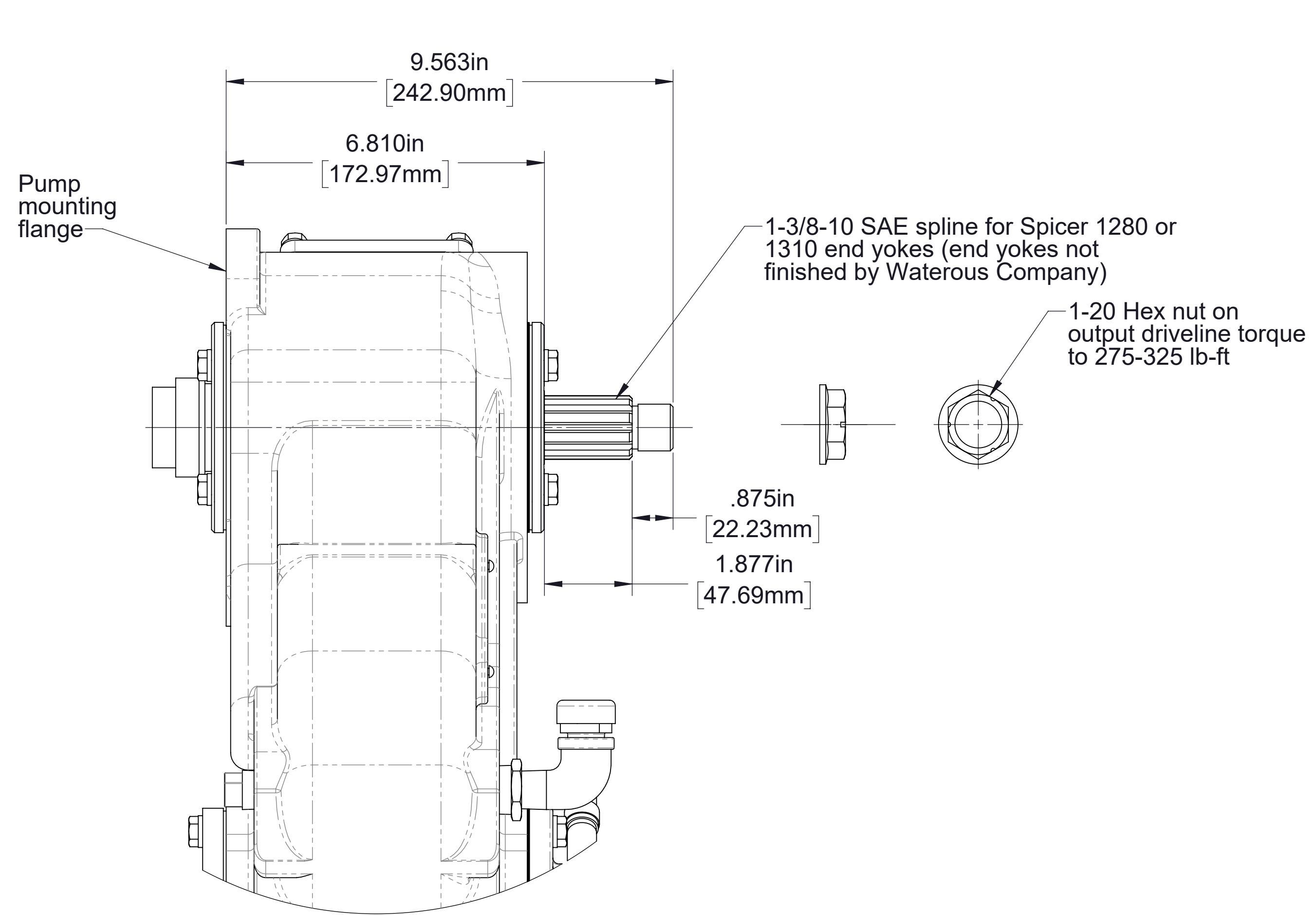


Drive Line		Ratio	Dim A	Dim B	Dim C	Dim D	Model
Size	Spline						
1-1/2 Inch	1-1/2-10 SAE	1.70	11.288in 286.71mm	10.943in 277.94mm	6.111in 155.22mm	4.737in 120.32mm	PA
		1.90	11.269in 286.24mm	10.924in 277.47mm	6.130in 155.70mm	4.755in 120.79mm	
		2.10	11.239in 285.46mm	10.894in 276.70mm	6.160in 156.46mm	4.786in 121.56mm	

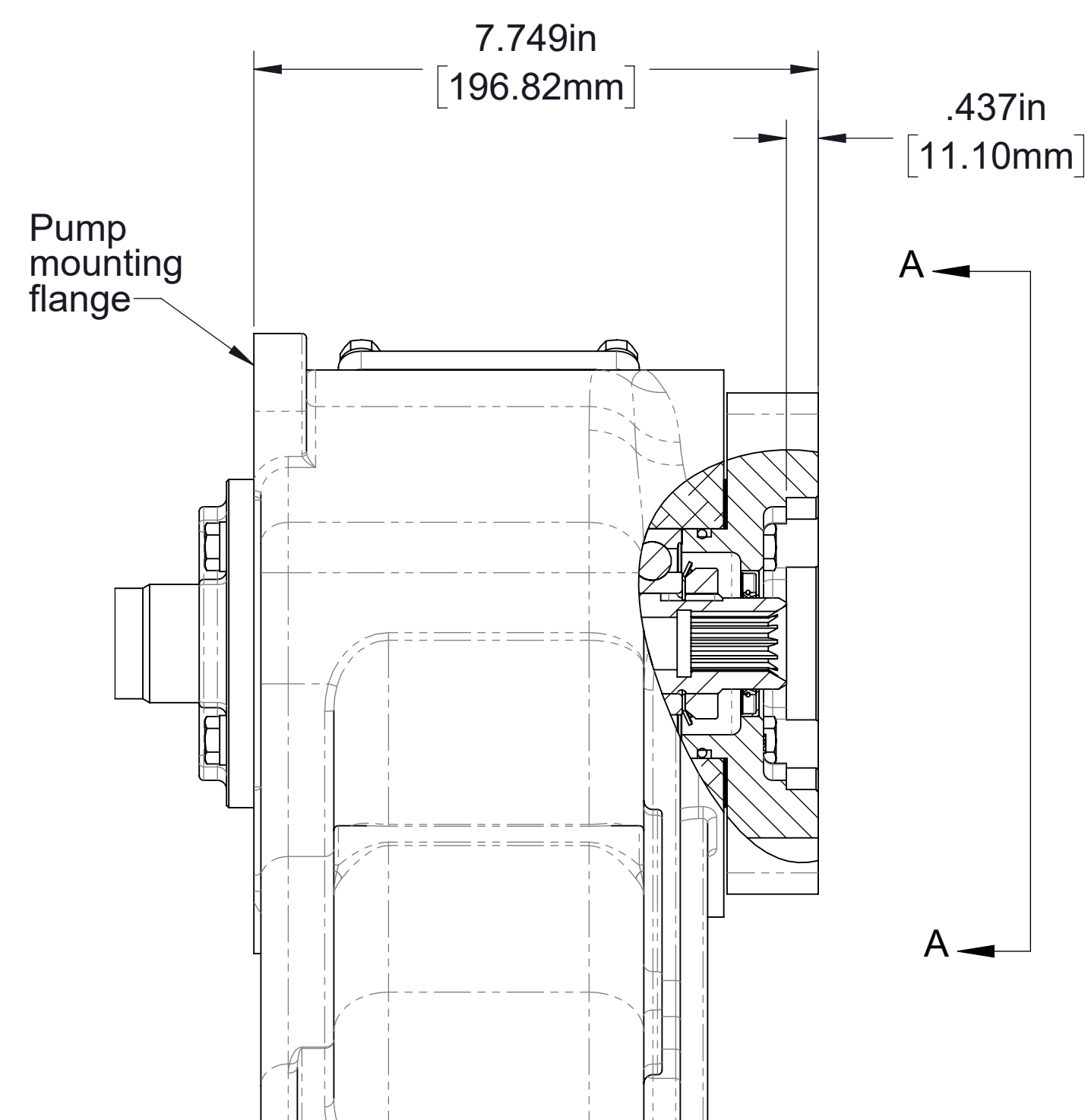


**Detail E**

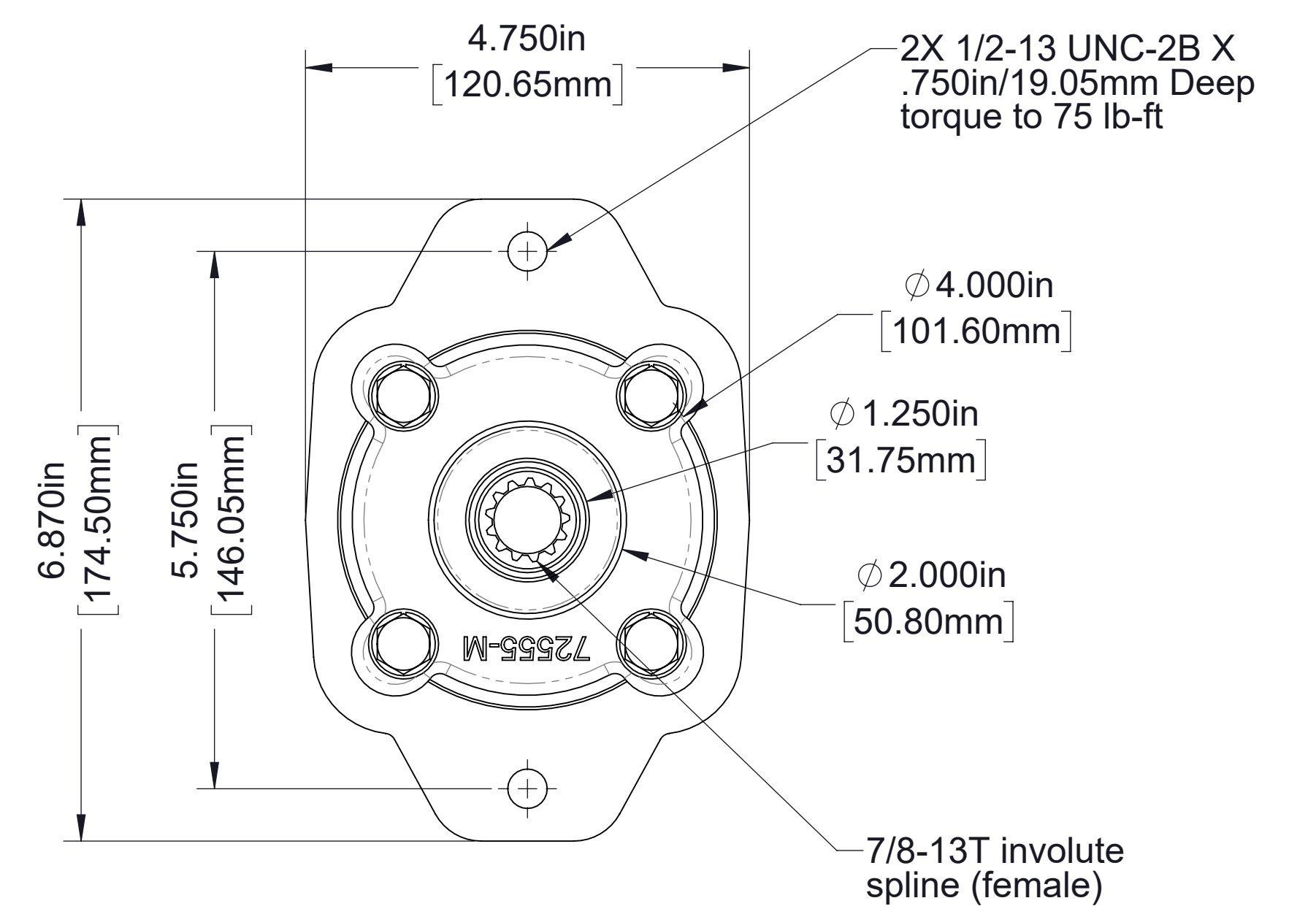
**PA Transmission For CG, CL, CX Series Pumps**  
Horizontal Mounted, P.T.O. Driven, Clockwise Input, Input and Output Shaft  
See Table For Available Ratios  
(Model PA 1.70 Ratio Shown)



1-3/8-10 SAE Spline



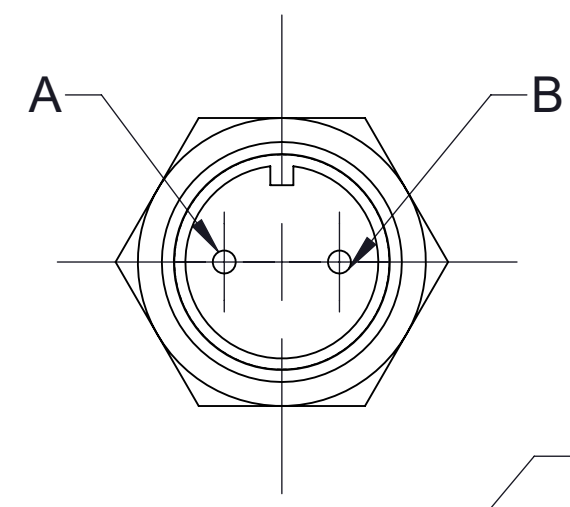
Hydraulic Pump Adapter Flange



View A-A

Used for SAE J744 Class B 2-bolt hydraulic pump with male 7/8-13T 16/32 pitch involute spline

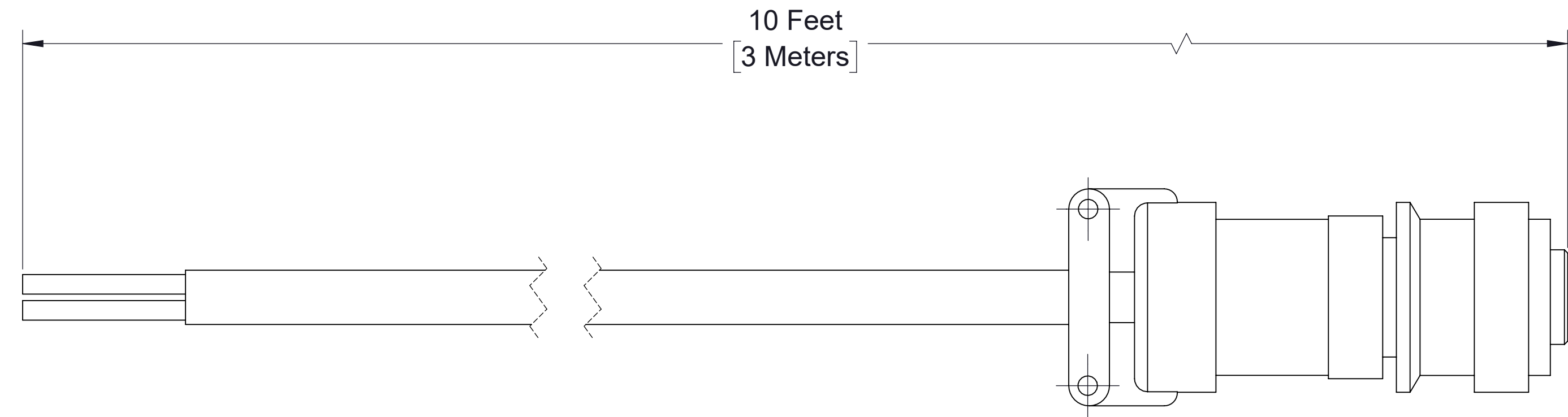
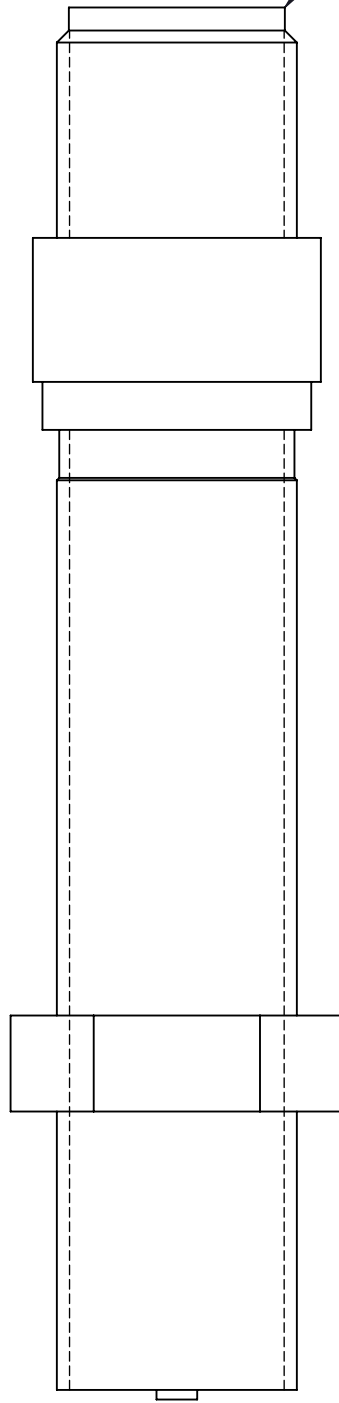
## Optional Rear Facing Output Shafts



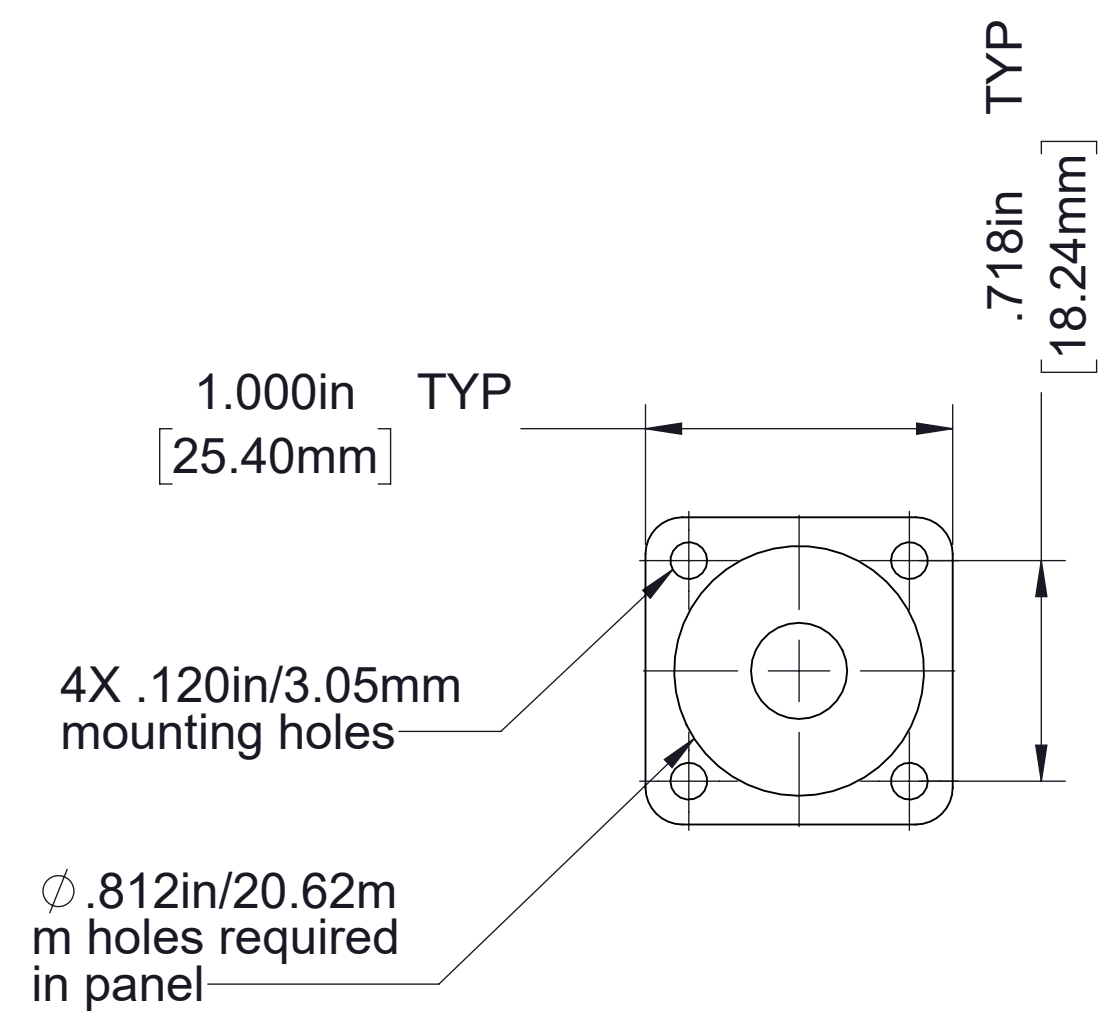
Temperature: -65°F to +225°F  
 -54°C to +107°C

Output Polarity: Pin "B" positive  
 DC Resistance: 1000-1300 OHMS  
 Inductance: 300-140 MH Nominal  
 Output Voltage: 160-240 Volts P-P

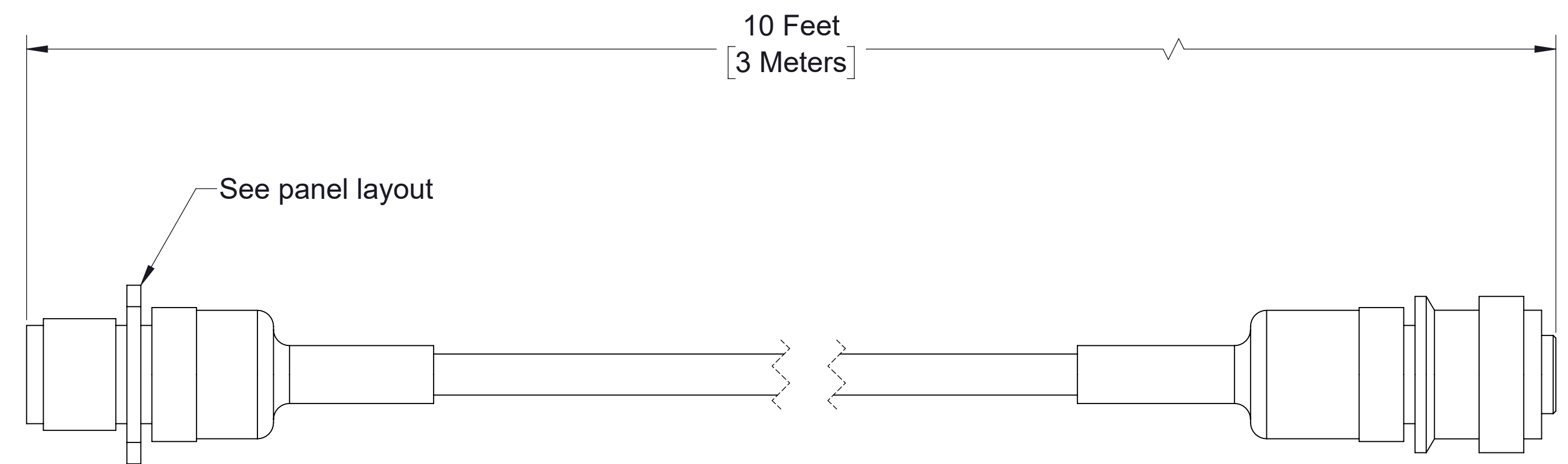
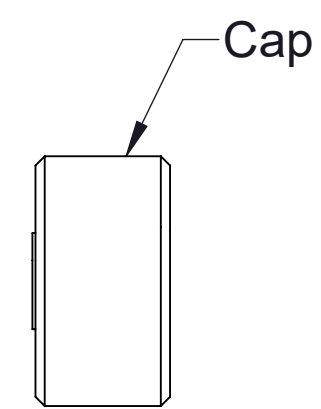
Output Connector: Mates with MS3106A-10SL-4S



Order Part No. V 3398



Panel Layout



Order Part No. 63033

**Optional Cables**

**Tachometer**