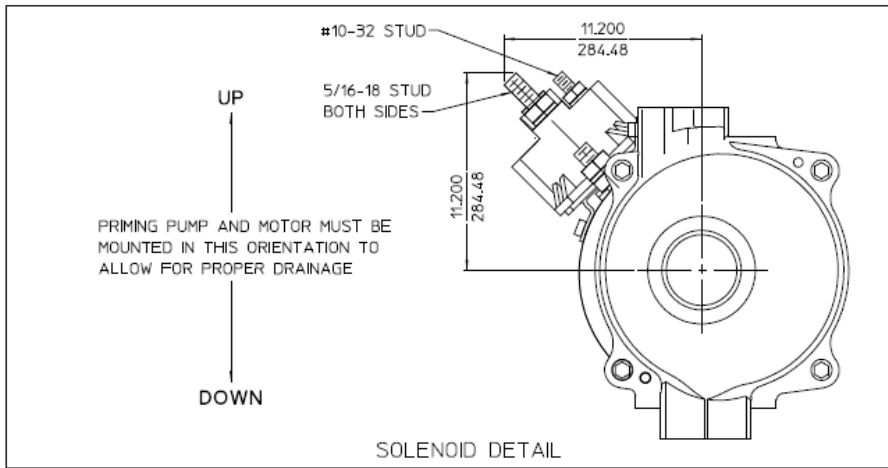




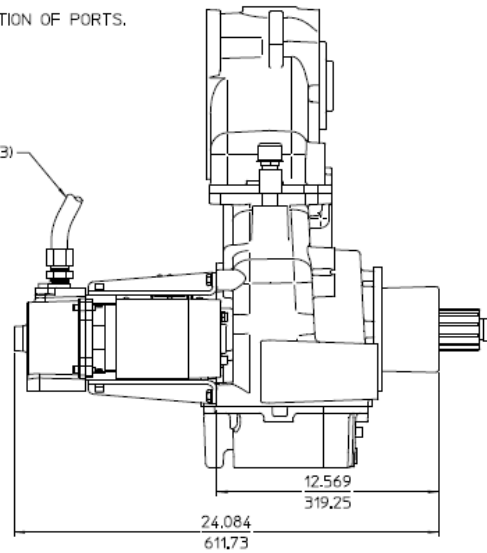
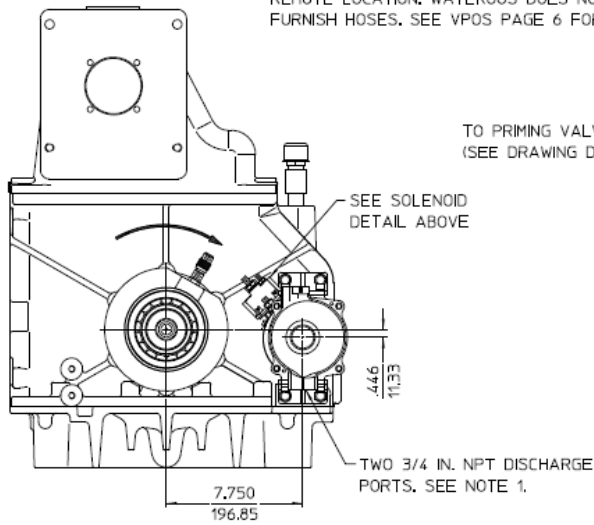
Document Number	Issue Date	Rev. Date
DPL82082	11/30/95	9/28/16

Dimensional Drawings for Priming Pumps

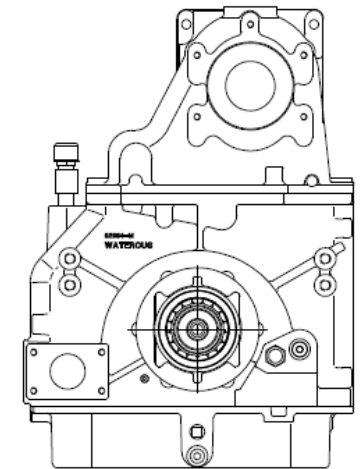
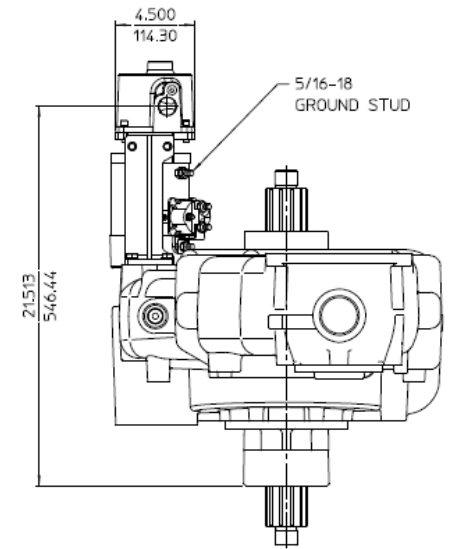
Priming Pump			Transmission Model	See Page
Type	Model	Mounting		
Rotary Vane	VPO	On the Transmission by Waterous	C20 and C21 Series	2
			TC20 and TC21 Series P.T.O.	3
			QC Series	4
			WB Series	5
	VPOS	Separately by the OEM	All	6
Manual Diaphragm	-	Separately by the OEM	-	7
Optional Five Quart Priming Lubricant Tank (Used when Prime-Safe™ Lubricant is used with VPO or VPOS Priming Pumps)				8



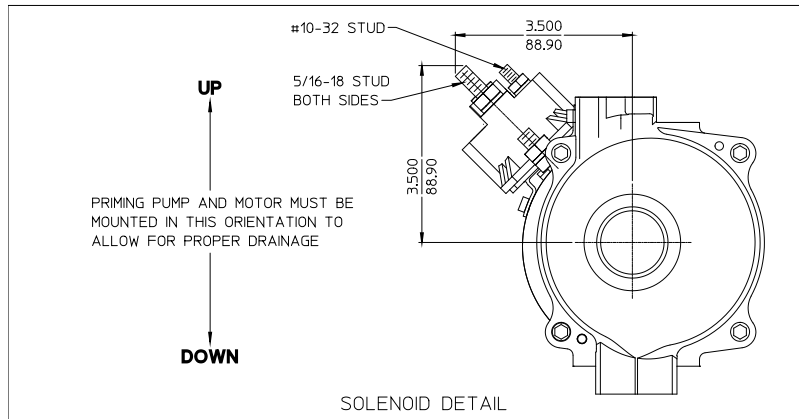
NOTE:
1. OEM MAY ATTACH HOSES TO 3/4 IN. DISCHARGE
PORTS TO DIRECT PRIMER DISCHARGE TO A
REMOTE LOCATION, WATEROUS DOES NOT
FURNISH HOSES. SEE VPOS PAGE 6 FOR LOCATION OF PORTS.



C20 & C21 SERIES TRANSMISSION
MODEL VPO, ROTARY VANE PRIMING PUMP
MOUNTED ON THE TRANSMISSION BY WATEROUS
12 VOLT SHOWN

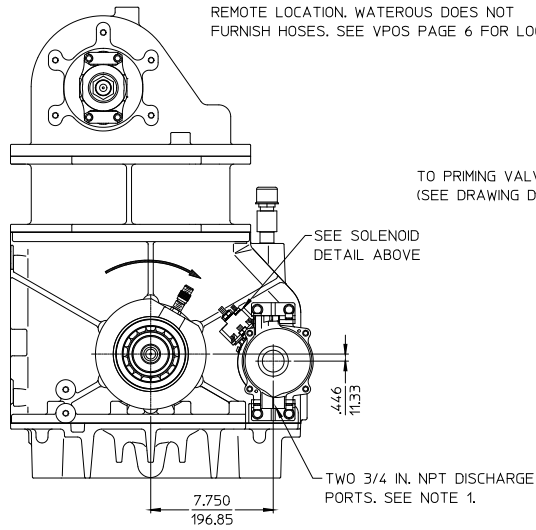
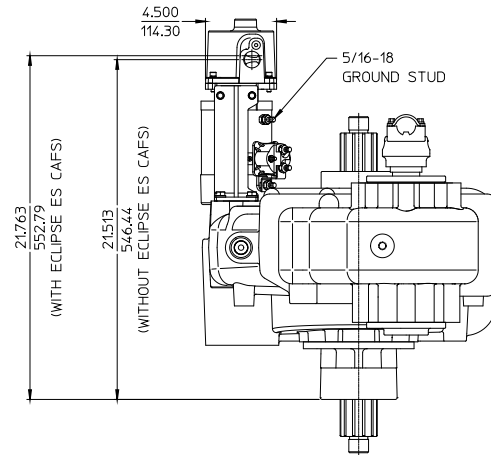


ALL DIMENSIONS SHOWN AS INCH/MILLIMETER
(INCH)
(MILLIMETER)

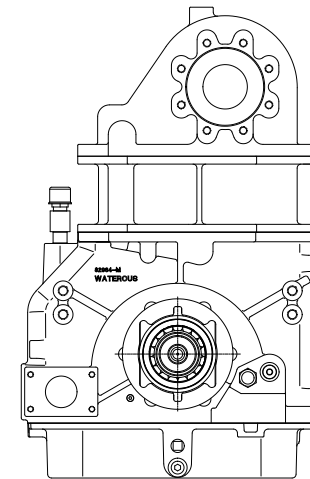
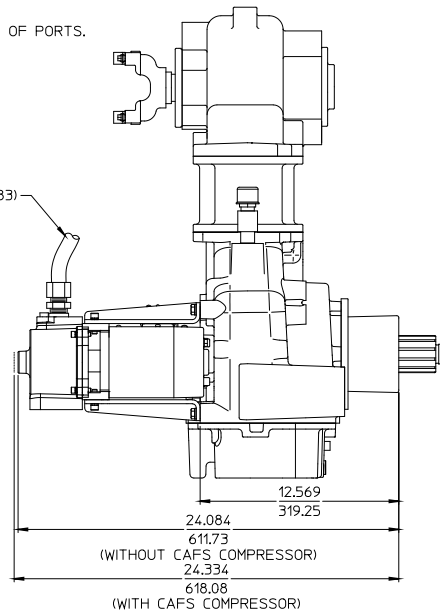


NOTE:

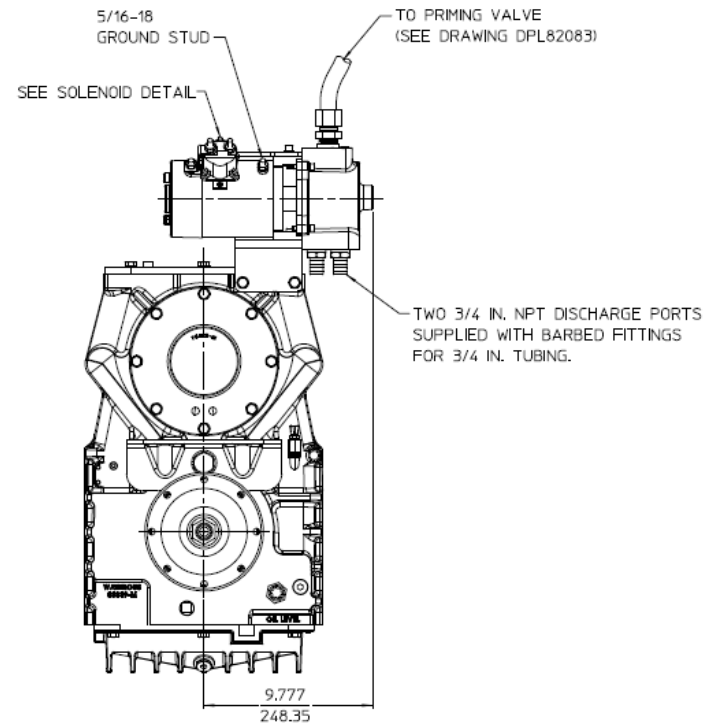
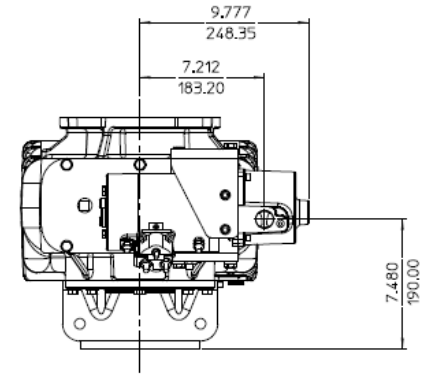
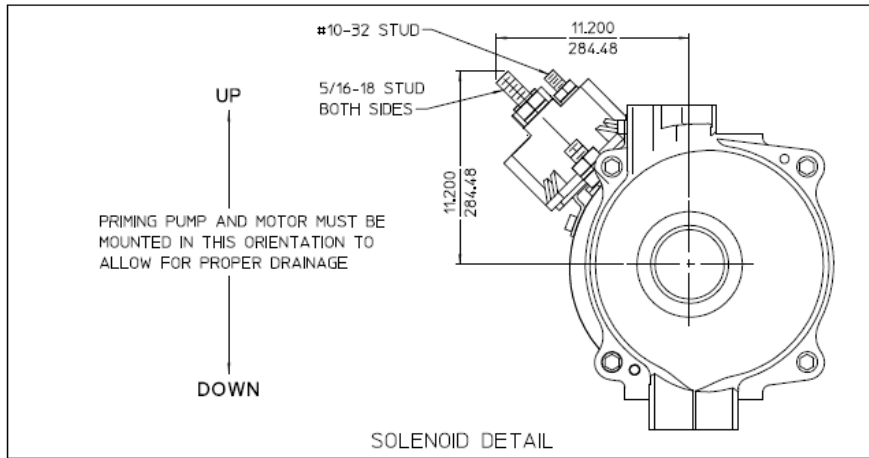
- OEM MAY ATTACH HOSES TO 3/4 IN. DISCHARGE PORTS TO DIRECT PRIMER DISCHARGE TO A REMOTE LOCATION. WATEROUS DOES NOT FURNISH HOSES. SEE VPOS PAGE 6 FOR LOCATION OF PORTS.



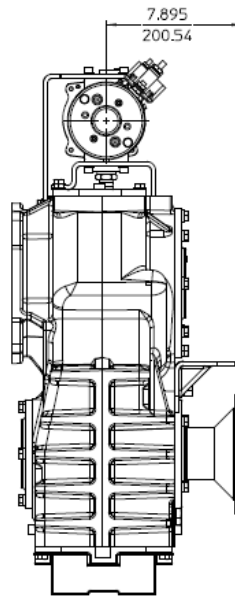
**TC20 AND TC21 SERIES PTO
MODEL VPO, ROTARY VANE PRIMING PUMP**
MOUNTED ON THE PTO BY WATEROUS
12 VOLT SHOWN



ALL DIMENSIONS SHOWN AS INCH/MILLIMETER
(INCH / MILLIMETER)

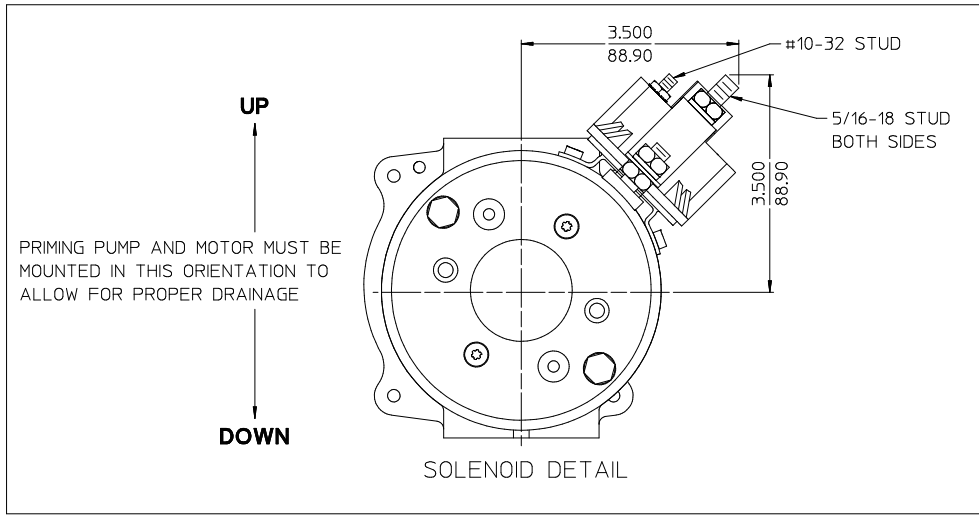


NOTE:
1. OEM MAY ATTACH HOSES TO 3/4 IN. DISCHARGE PORTS TO DIRECT PRIMER DISCHARGE TO A REMOTE LOCATION. WATEROUS DOES NOT FURNISH HOSES.

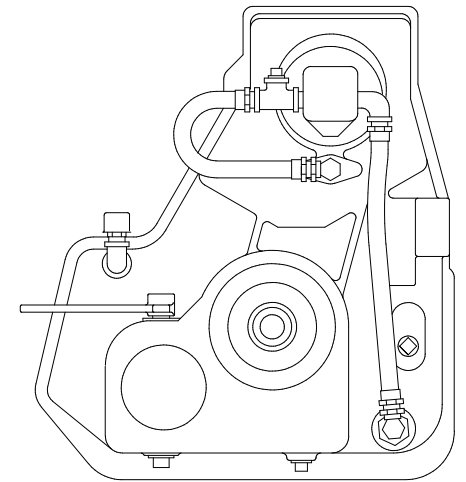
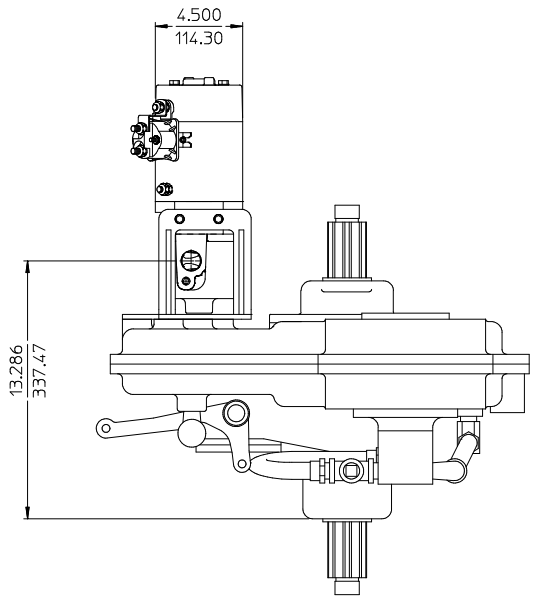
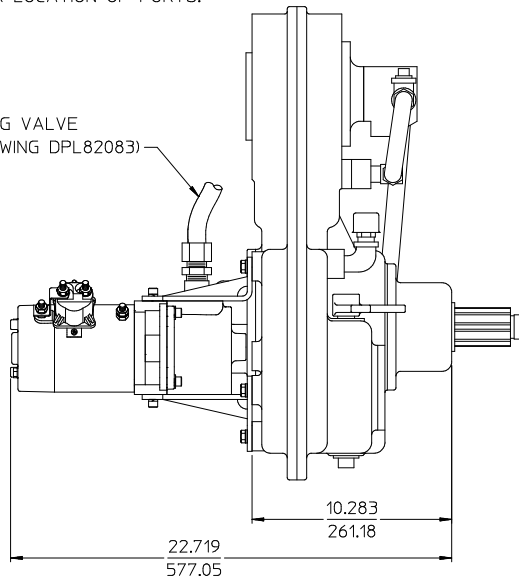
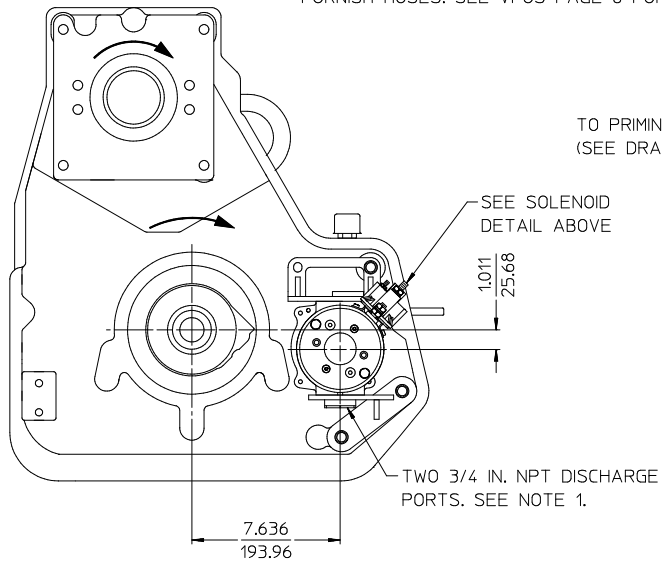


ALL DIMENSIONS SHOWN AS INCH/MILLIMETER
(INCH)
(MILLIMETER)

QC SERIES TRANSMISSION
MODEL VPO, ROTARY VANE PRIMING PUMP
MOUNTED ON THE TRANSMISSION BY WATEROUS
24 VOLT SHOWN



NOTE:
1. OEM MAY ATTACH HOSES TO 3/4 IN. DISCHARGE PORTS TO DIRECT PRIMER DISCHARGE TO A REMOTE LOCATION. WATEROUS DOES NOT FURNISH HOSES. SEE VPOS PAGE 6 FOR LOCATION OF PORTS.

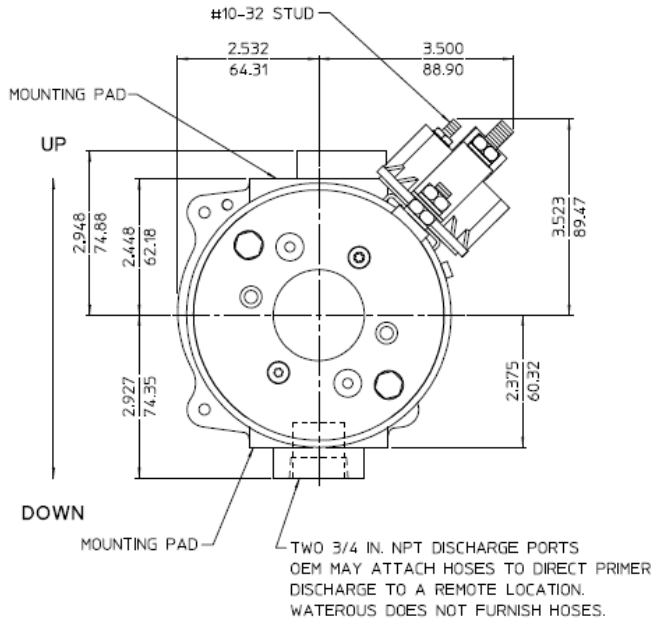


ALL DIMENSIONS SHOWN AS INCH/MILLIMETER
(INCH)
(MILLIMETER)

WB SERIES TRANSMISSION
MODEL VPO, ROTARY VANE PRIMING PUMP
MOUNTED ON THE TRANSMISSION BY WATEROUS
12 VOLT SHOWN

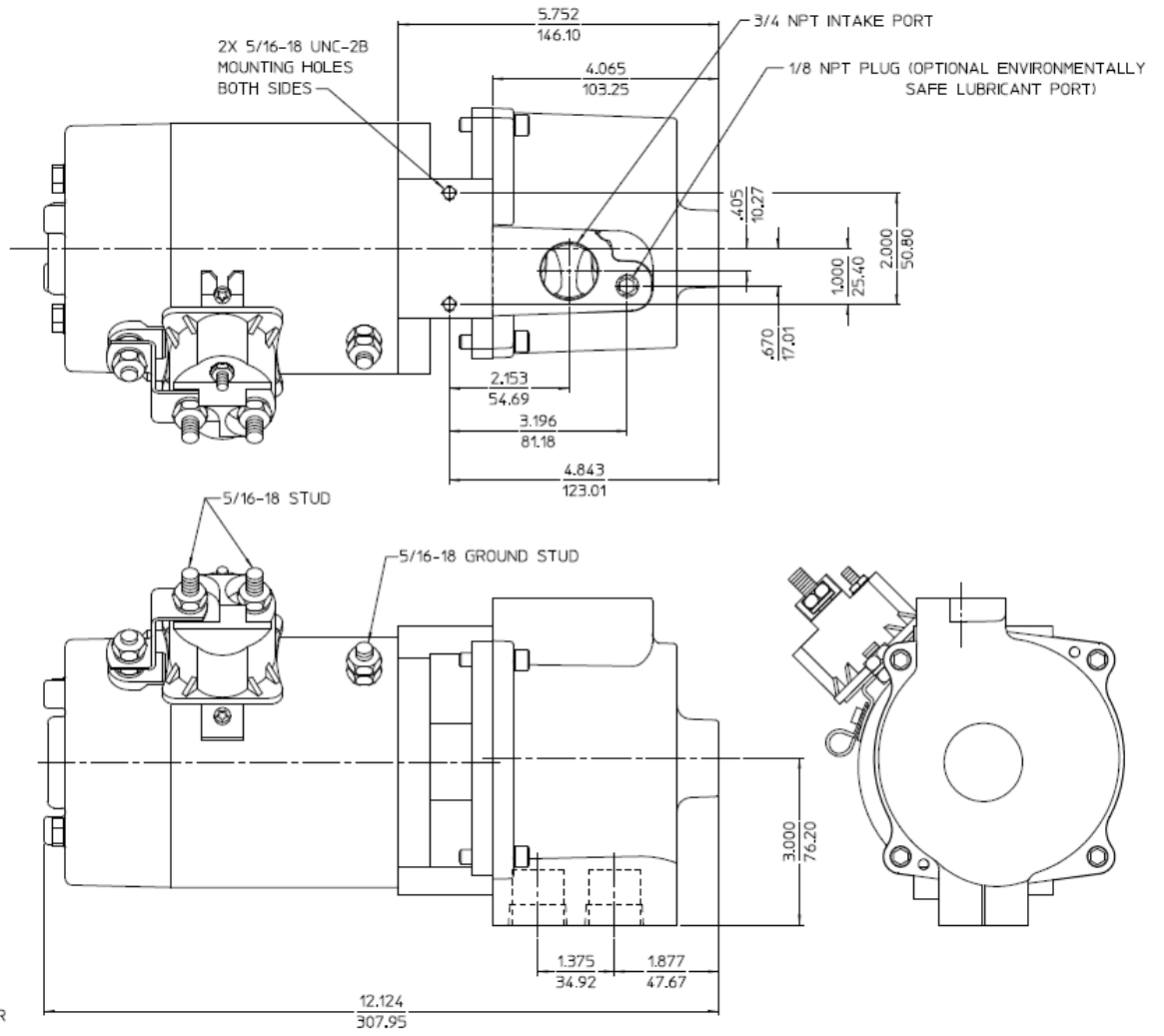
DPL82082
PAGE 5 OF 8

PRIMING PUMP AND MOTOR MUST BE MOUNTED IN THIS ORIENTATION TO ALLOW FOR PROPER DRAINAGE

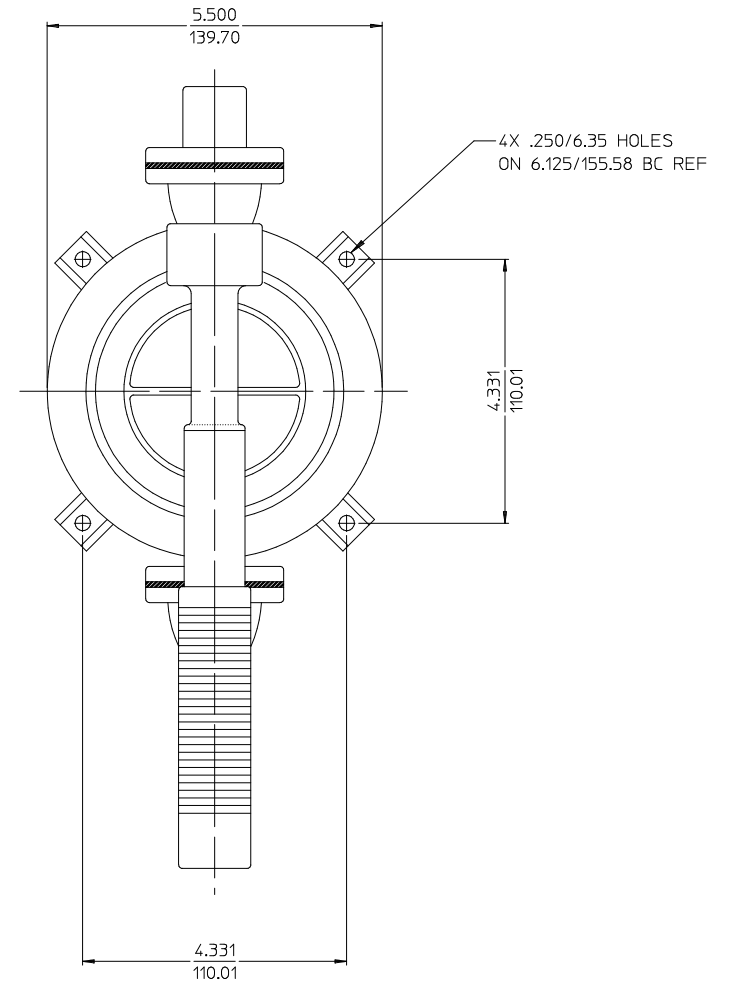
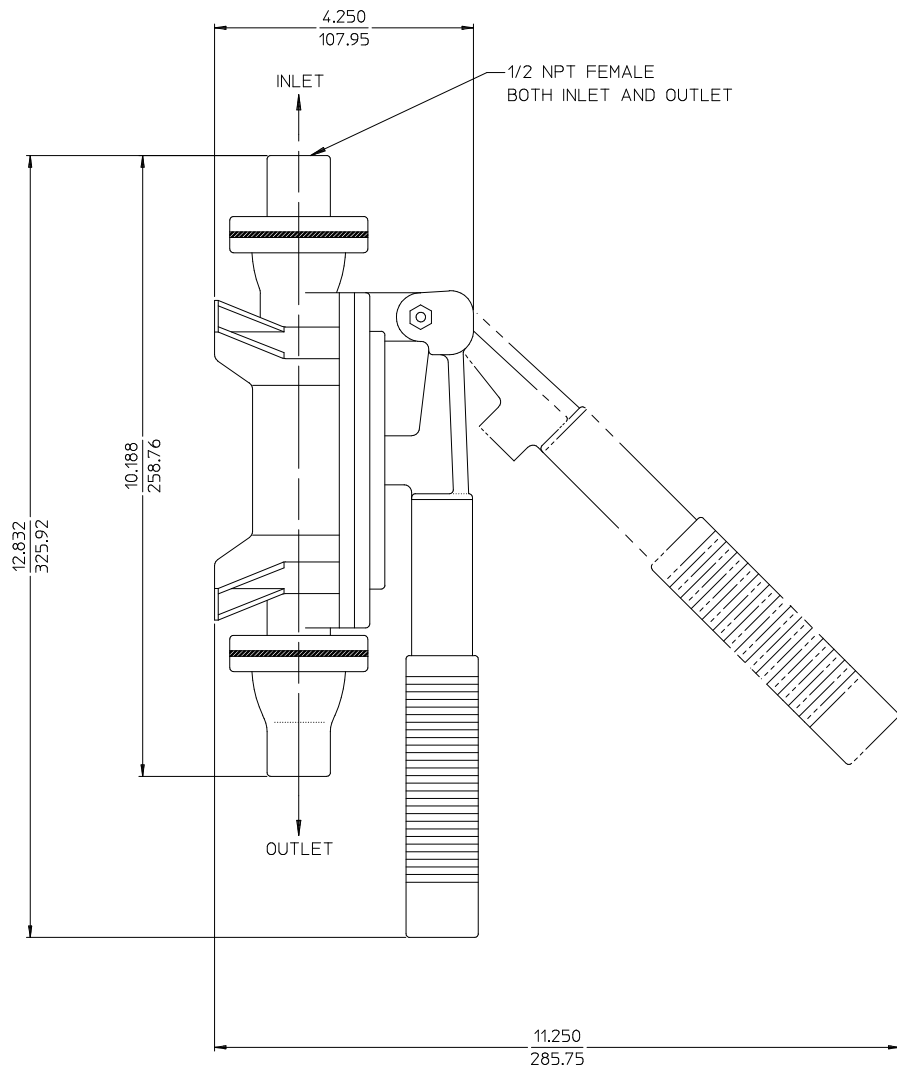


ALL DIMENSIONS SHOWN AS INCH/MILLIMETER

$\left(\frac{\text{INCH}}{\text{MILLIMETER}} \right)$



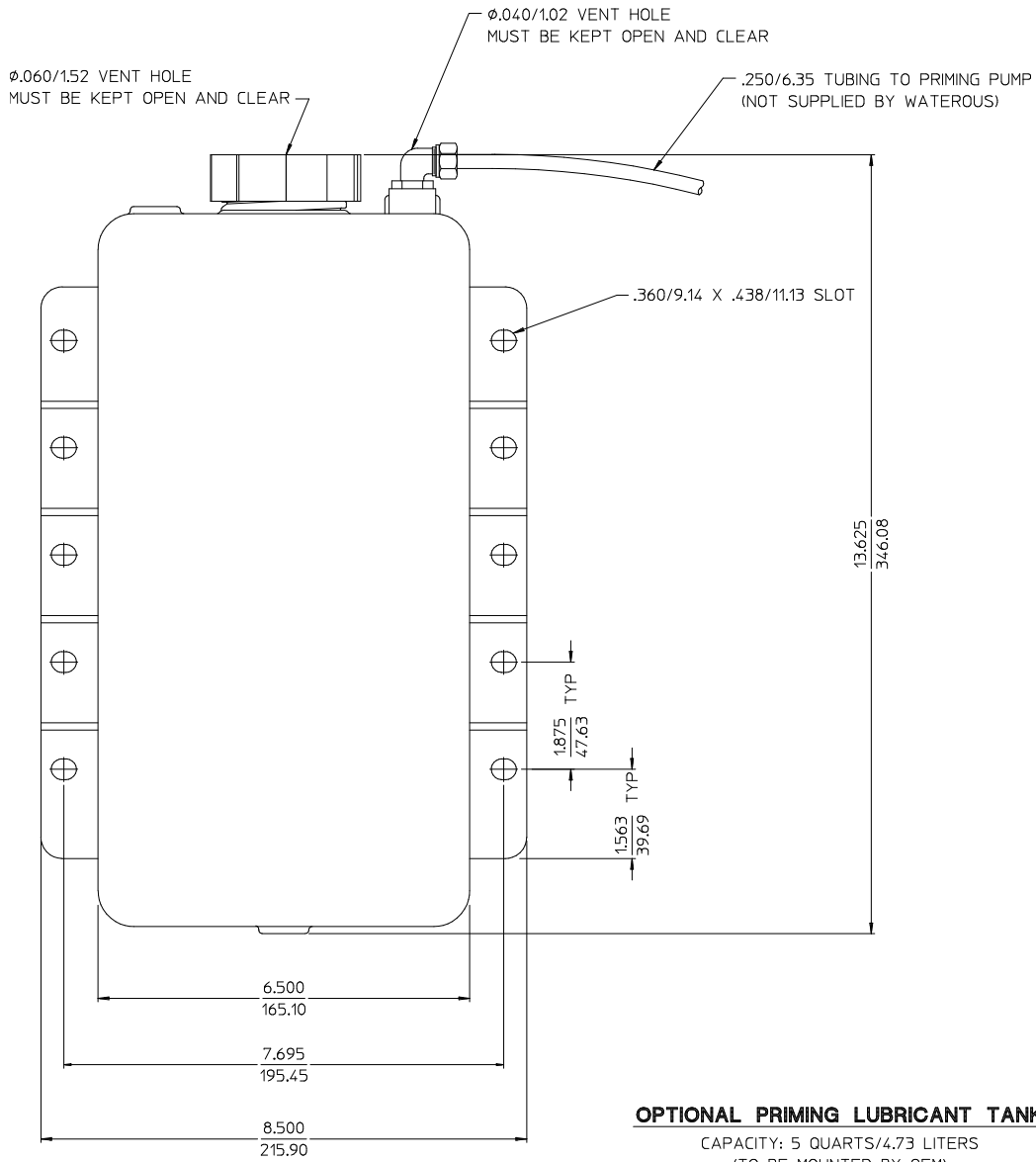
MODEL VPOS, ROTARY VANE PRIMING PUMP
 SEPARATELY MOUNTED BY THE OEM
 12 VOLT SHOWN



MANUAL DIAPHRAGM PRIMER

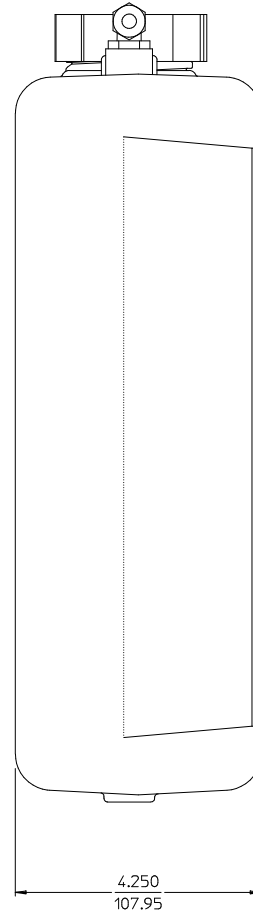
ALL DIMENSIONS SHOWN AS INCH/MILLIMETER

($\frac{\text{INCH}}{\text{MILLIMETER}}$)



OPTIONAL PRIMING LUBRICANT TANK

CAPACITY: 5 QUARTS/4.73 LITERS
 (TO BE MOUNTED BY OEM)



ALL DIMENSIONS SHOWN AS INCH/MILLIMETER
 ($\frac{\text{INCH}}{\text{MILLIMETER}}$)