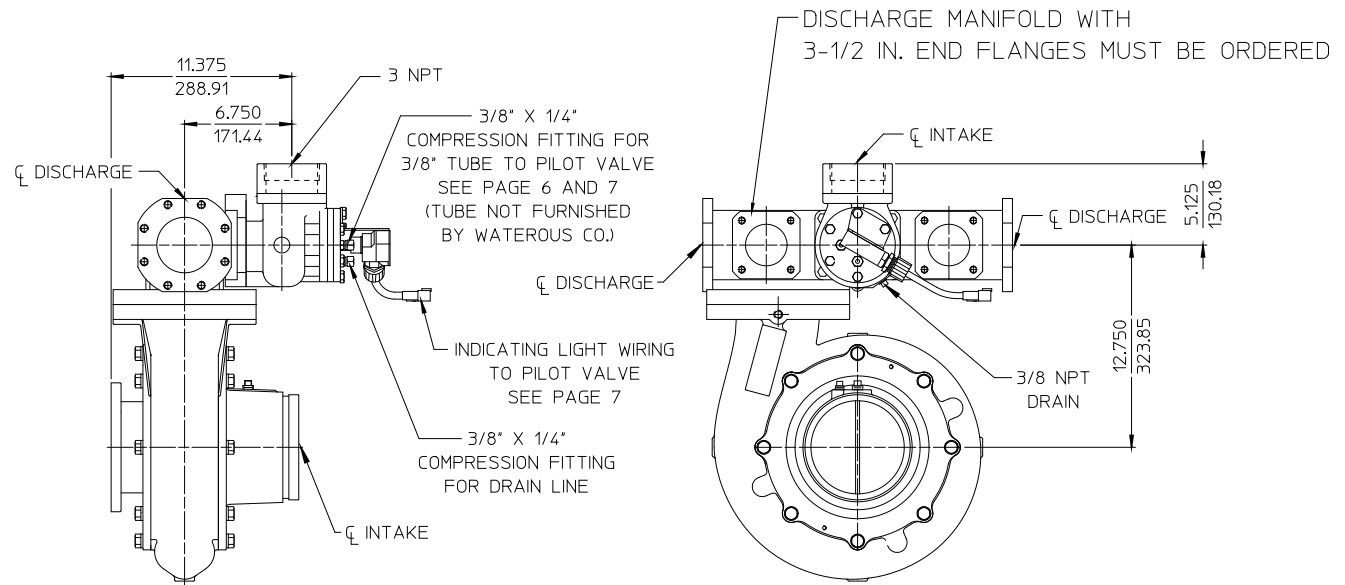




Document Number DPL82084-1	Issue Date 01/11/96	Rev. Date 9/18/18
--------------------------------------	-------------------------------	-----------------------------

Dimensional Drawings for 3 Inch Discharge Relief Valves

Pump Model	Pump Material	Valve Mounting	See Page
CXN, CXV	Iron	On Pump	2
CM, CMH, CS, CSH	Bronze	On Pump	3
CM, CMH, CS, CSH, CXS, CXN, CXV, CZ	Iron or Bronze	Separately Mounted	4, 5
All	-	Pilot Valves	6, 7



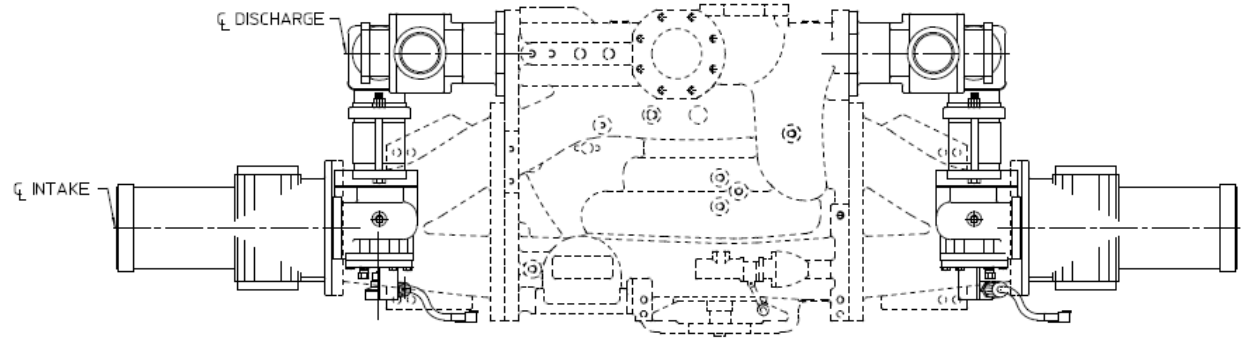
ALL DIMENSIONS SHOWN AS INCH/MILLIMETER
 (INCH)
 (MILLIMETER)

CXN AND CXV PUMP MODELS

(DISCHARGE MANIFOLD REQUIRED FOR PUMP MOUNTING)

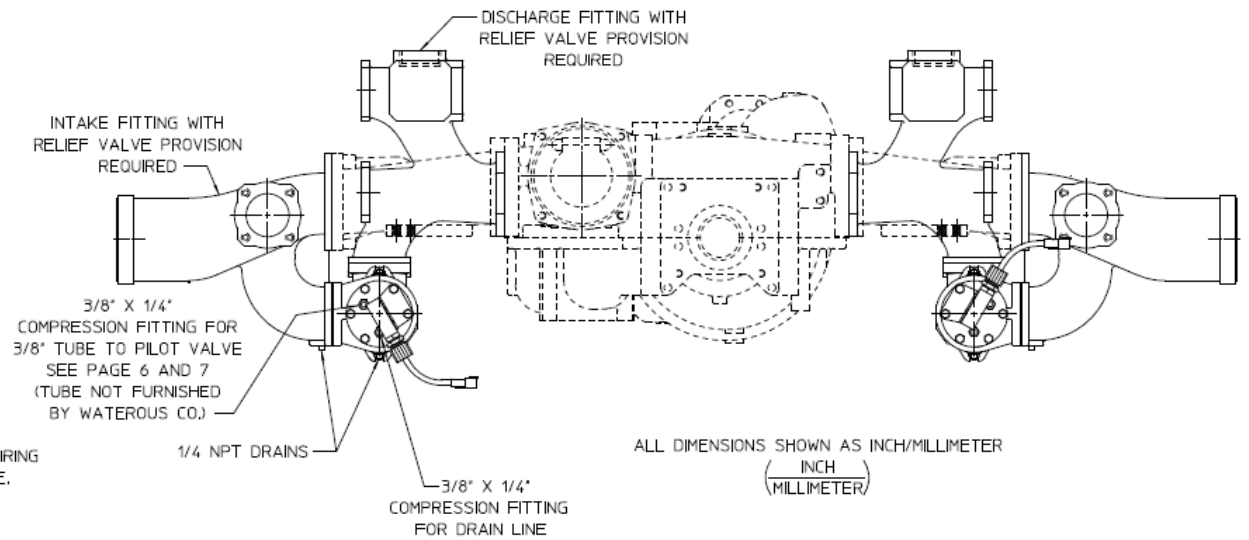
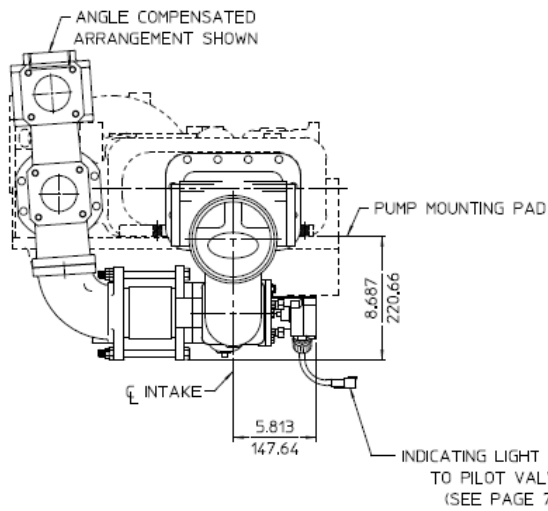
(3 INCH SEPARATELY MOUNTED RELIEF VALVE IS ALSO AVAILABLE, SEE PAGES 4 & 5)

3 INCH PUMP MOUNTED RELIEF VALVES



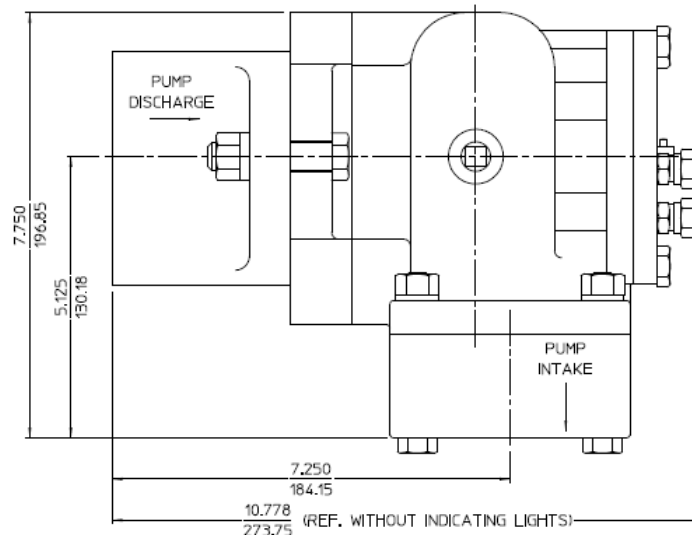
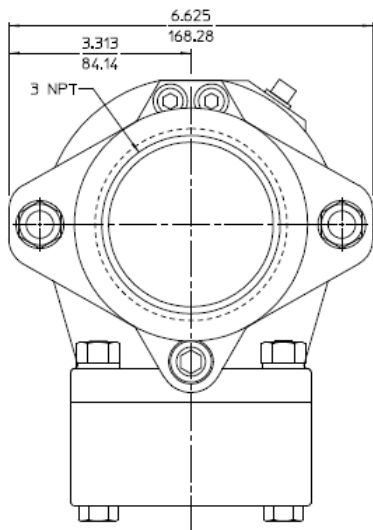
LEFT SIDE MOUNTING

RIGHT SIDE MOUNTING



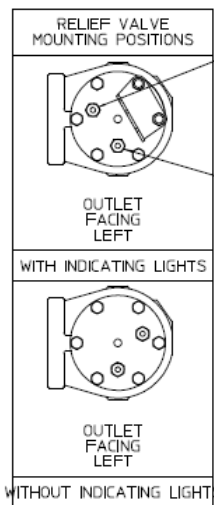
ALL DIMENSIONS SHOWN AS INCH/MILLIMETER
 (INCH)
 (MILLIMETER)

CM, CMH, CS, CSH PUMP MODELS
 BRONZE PUMPS ONLY
3 INCH PUMP MOUNTED RELIEF VALVES

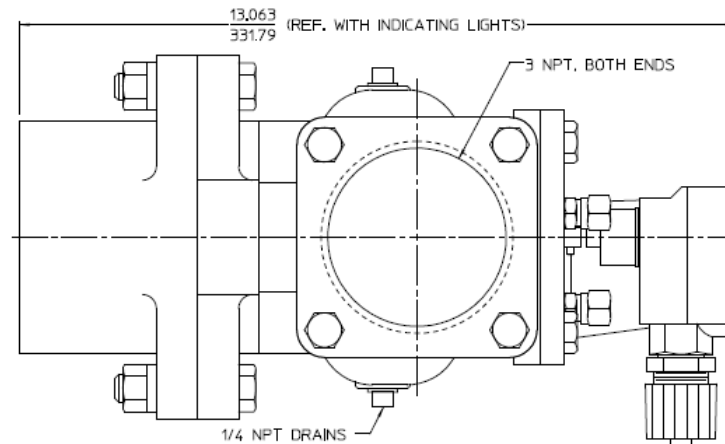


ALL DIMENSIONS SHOWN AS INCH/MILLIMETER
(INCH)
(MILLIMETER)

EFFECTIVE 01/17/97:
WIRING TO POINT UPWARD ONLY FOR
R.H. MOUNTING CONFIGURATIONS.



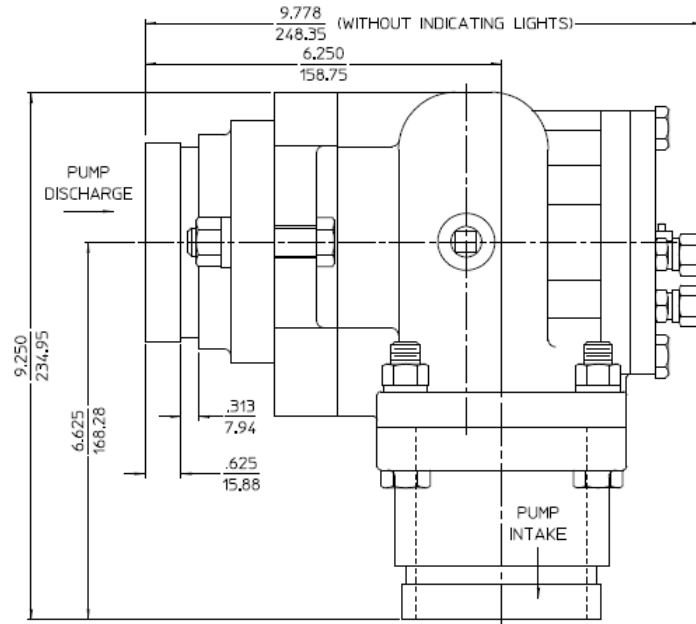
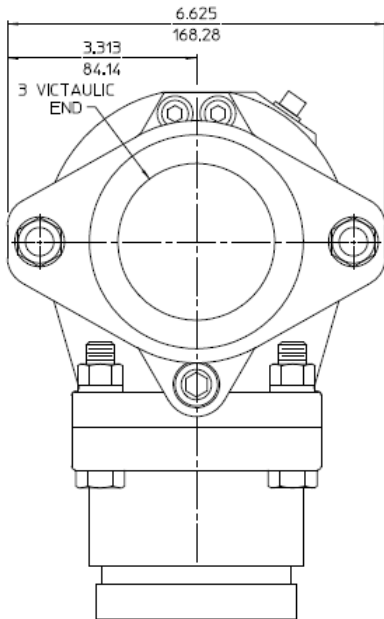
3/8" X 1/4" COMPRESSION FITTING FOR 3/8" TUBE TO PILOT VALVE SEE PAGE 6 AND 7 (TUBE NOT FURNISHED BY WATEROUS CO.)
3/8" X 1/4" COMPRESSION FITTING FOR DRAIN LINE



INDICATING LIGHT WIRING TO PILOT VALVE (SEE PAGE 7)

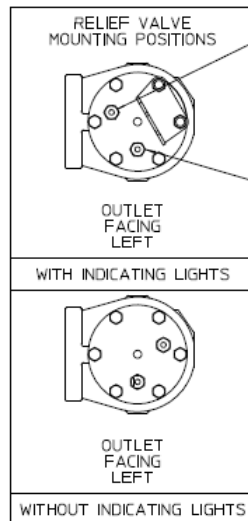
3 INCH SEPARATELY MOUNTED RELIEF VALVE WITH 3 INCH TAPPED FLANGE CONNECTIONS

NOTE: CUSTOMER TO FURNISH 3/8 TUBING TO PILOT VALVE AND FURNISH PIPING FROM PUMP DISCHARGE AND TO PUMP INTAKE.



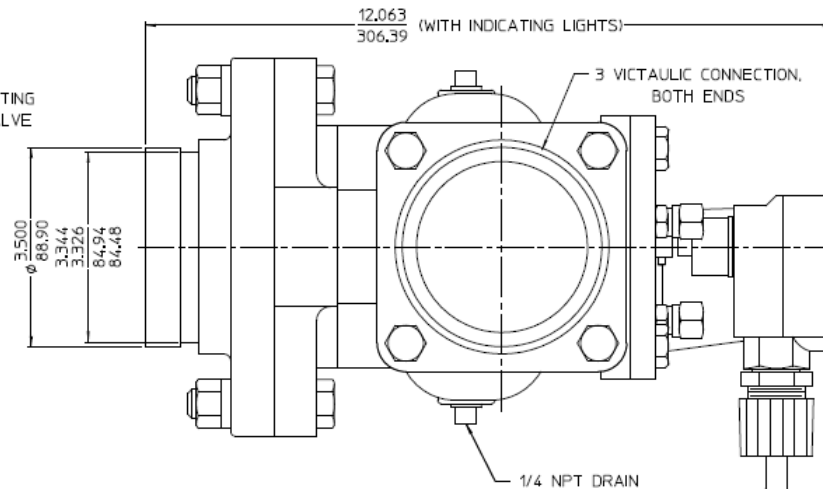
ALL DIMENSIONS SHOWN AS INCH/MILLIMETER
(INCH / MILLIMETER)

EFFECTIVE 01/17/97:
WIRING TO POINT UPWARD ONLY FOR
R.H. MOUNTING CONFIGURATIONS.



3/8" X 1/4" COMPRESSION FITTING FOR 3/8" TUBE TO PILOT VALVE SEE PAGE 6 AND 7 (TUBE NOT FURNISHED BY WATEROUS CO.)

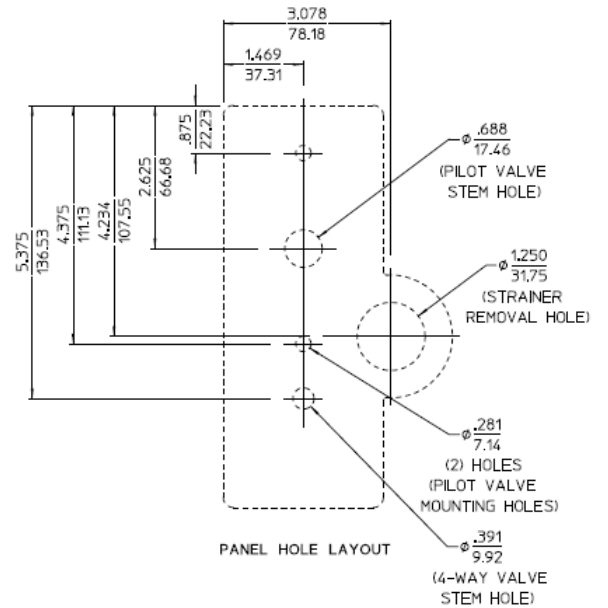
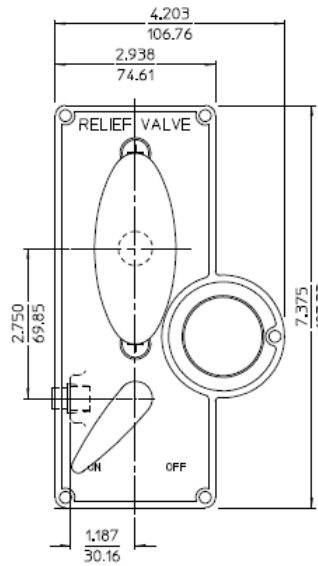
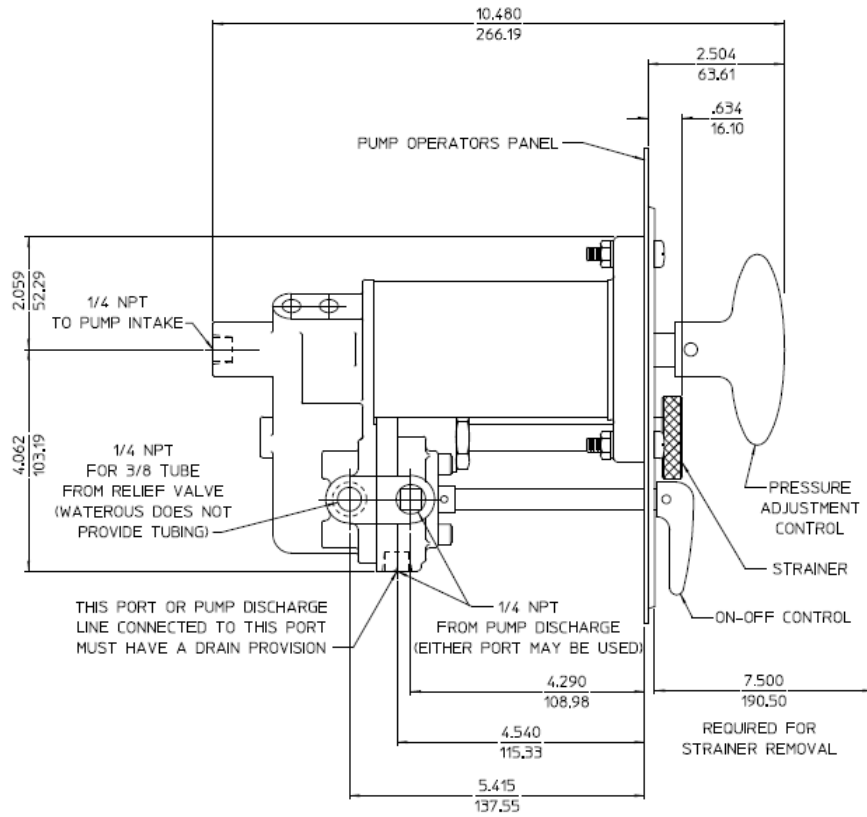
3/8" X 1/4" COMPRESSION FITTING FOR DRAIN LINE



INDICATING LIGHT WIRING TO PILOT VALVE (SEE PAGE 7)

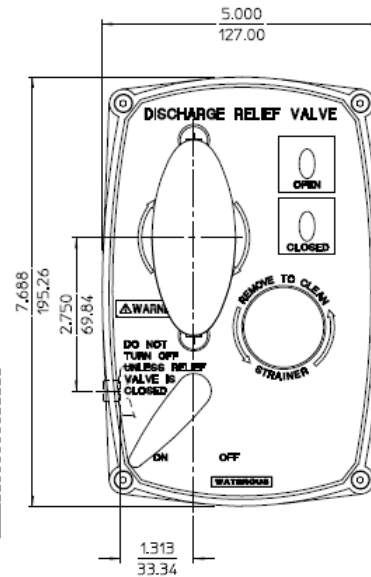
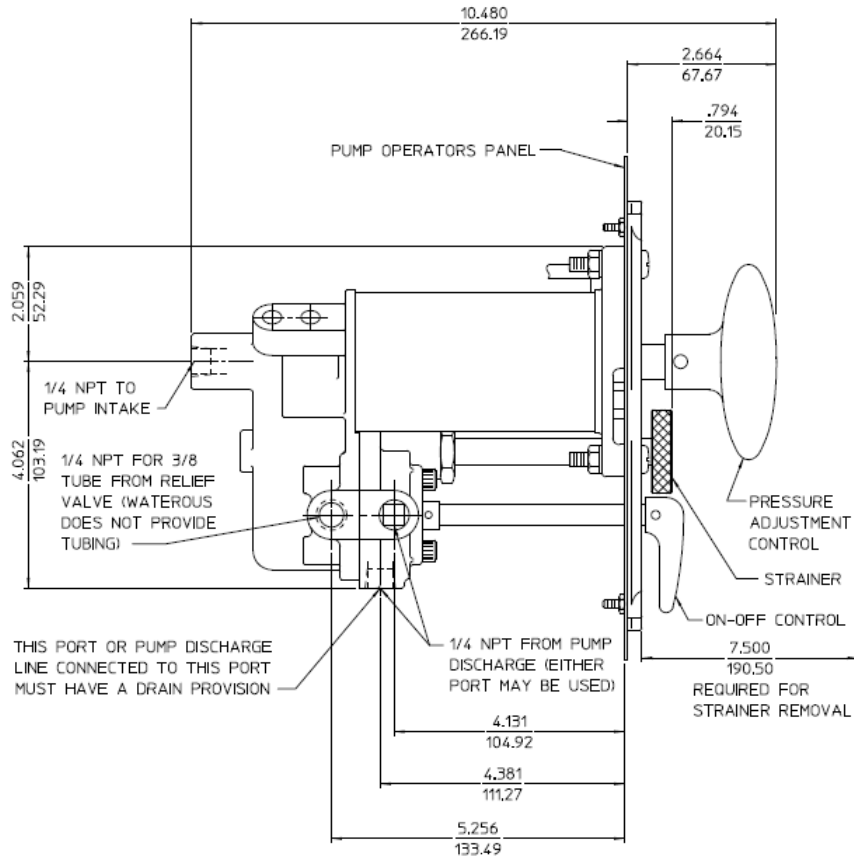
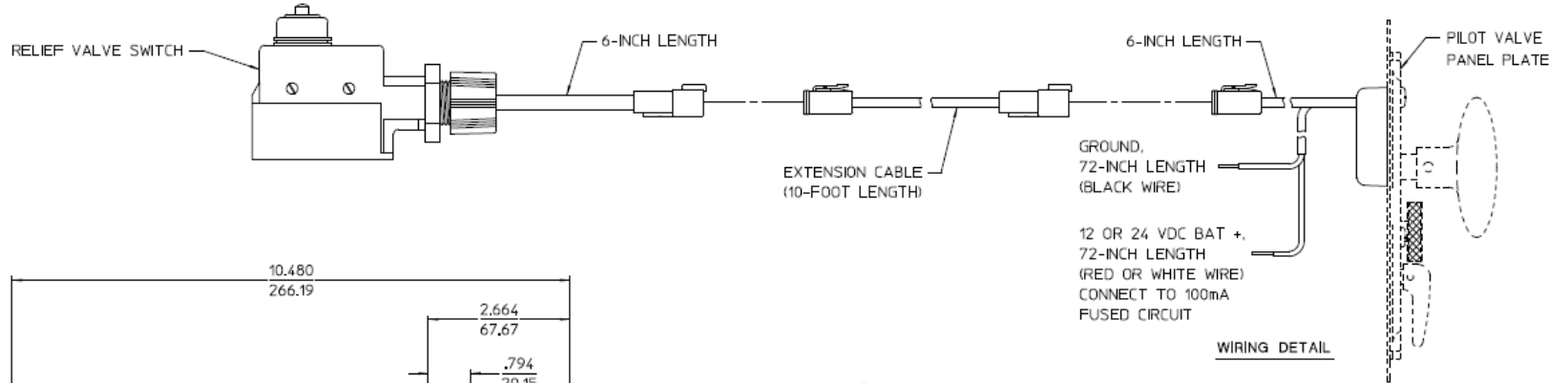
3 INCH SEPARATELY MOUNTED RELIEF VALVE WITH 3 INCH VICTAULIC CONNECTIONS

NOTE: CUSTOMER TO FURNISH 3/8" TUBING TO PILOT VALVE AND FURNISH PIPING FROM PUMP DISCHARGE AND TO PUMP INTAKE.

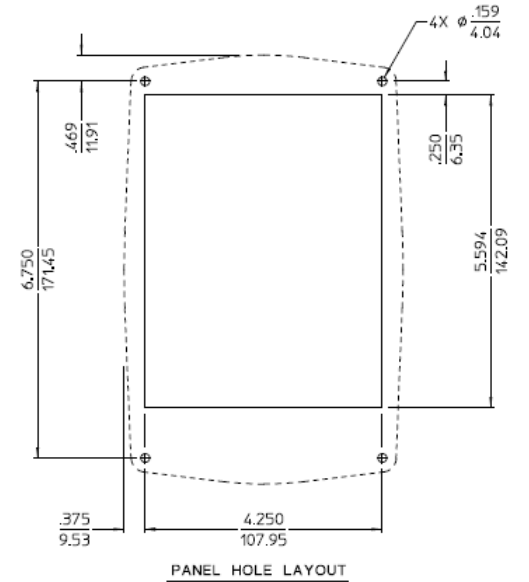


ALL DIMENSIONS SHOWN AS INCH/MILLIMETER
 (INCH)
 (MILLIMETER)

PILOT VALVE WITHOUT INDICATING LIGHTS



ALL DIMENSIONS SHOWN AS INCH/MILLIMETER
(INCH)
(MILLIMETER)



PILOT VALVE WITH INDICATING LIGHTS