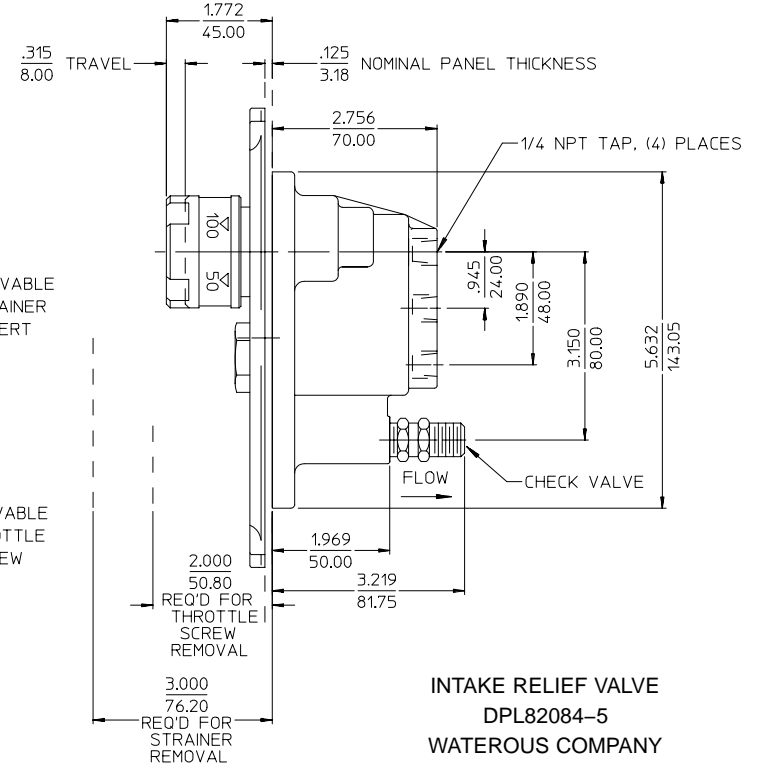
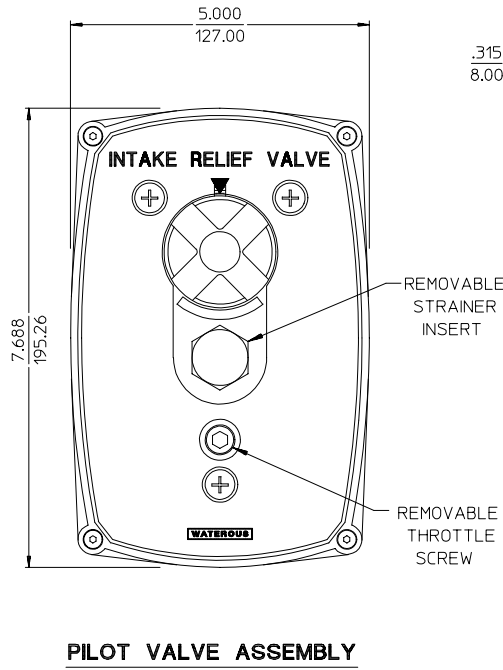
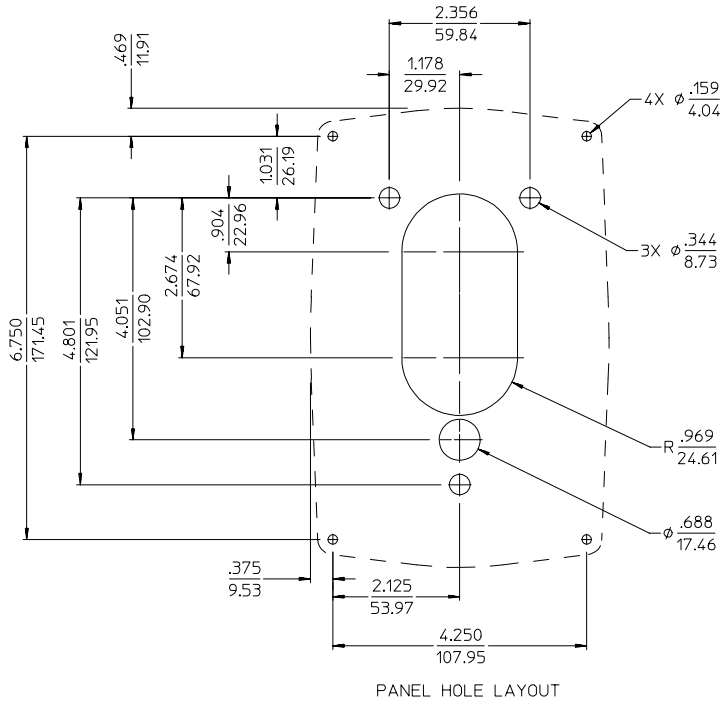
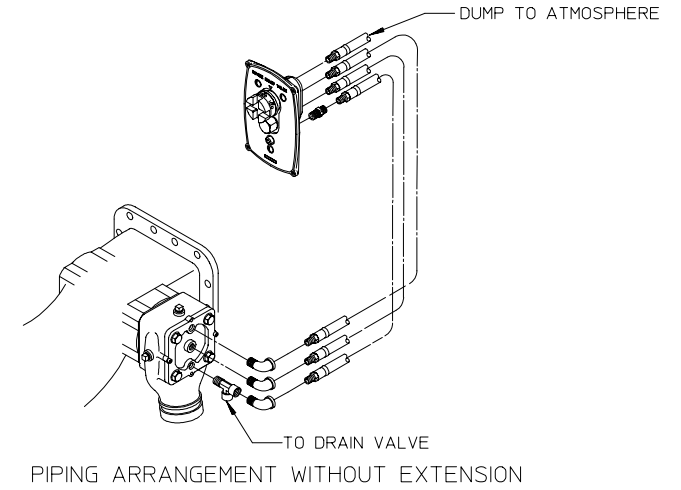
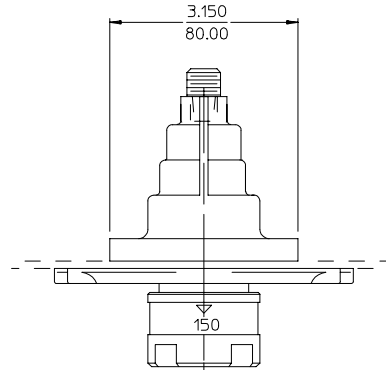
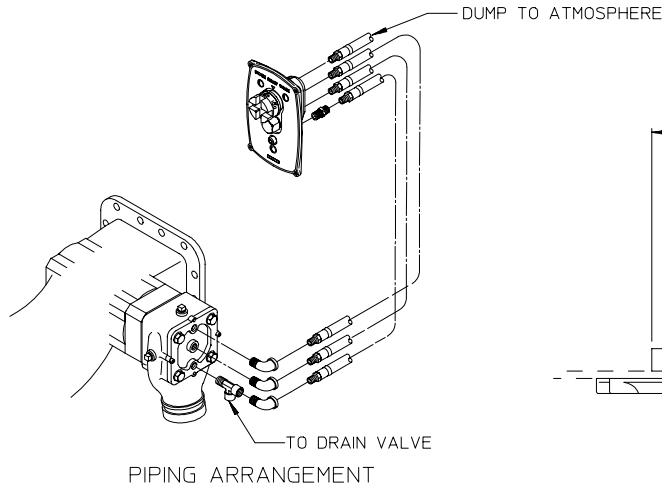
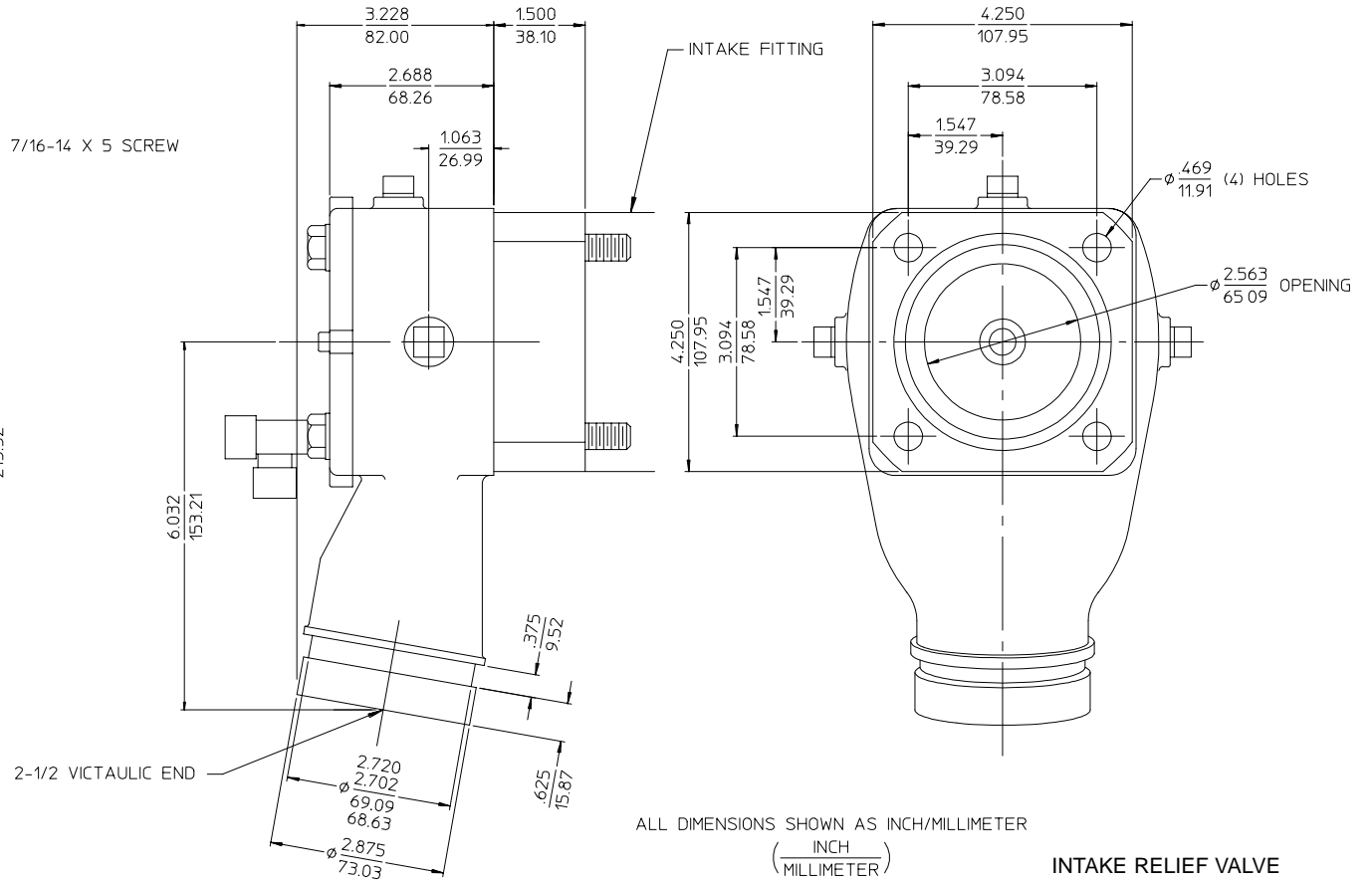
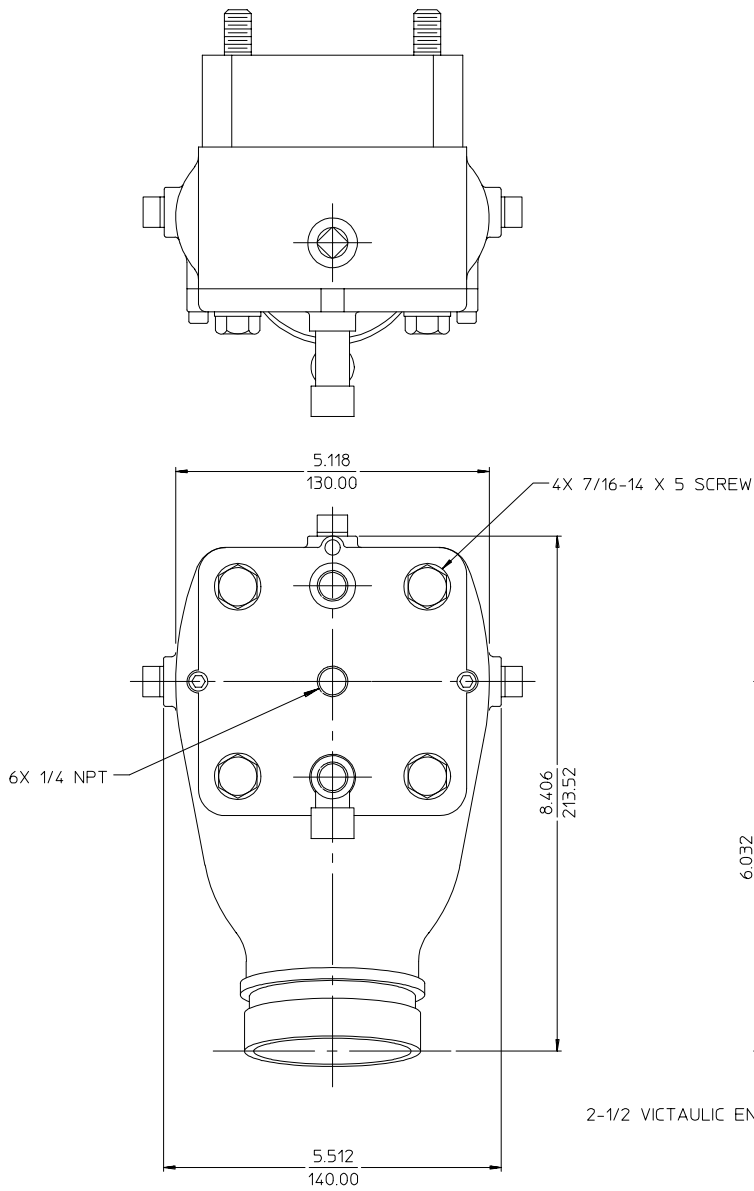


Dimensional Drawings for Intake Relief Valve

Mounting Type	See Page
Pilot Valve	1
Pump Mounted Relief Valve with Extension (On Intake Fitting Behind Butterfly Valve)	2
Pump Mounted Relief Valve Without Extension (On Intake Nipple in Front of Butterfly Valve)	3
Separately Mounted Relief Valve	4



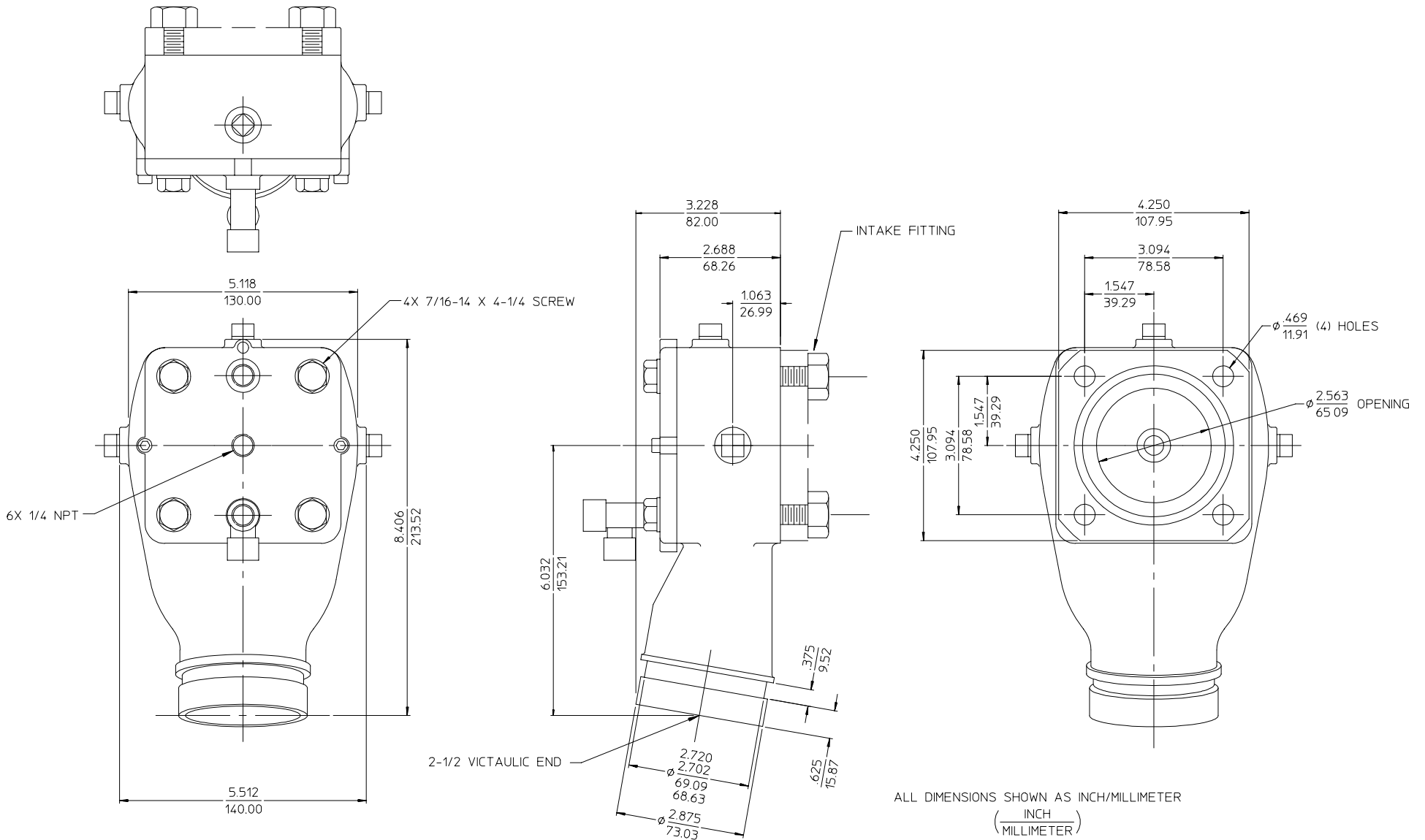
- NOTES:
1. SEE SHEET 2 & 3 FOR PUMP MOUNTED RELIEF VALVE DETAILS.
 2. SEE SHEET 4 FOR SEPARATELY MOUNTED RELIEF VALVE DETAILS.



NOTES:
1. SEE PAGE 1 FOR PILOT VALVE ASSEMBLY DETAILS.

PUMP MOUNTED RELIEF VALVE WITH EXTENSION
(NORMALLY MOUNTED ON INTAKE FITTING BEHIND BUTTERFLY VALVE)

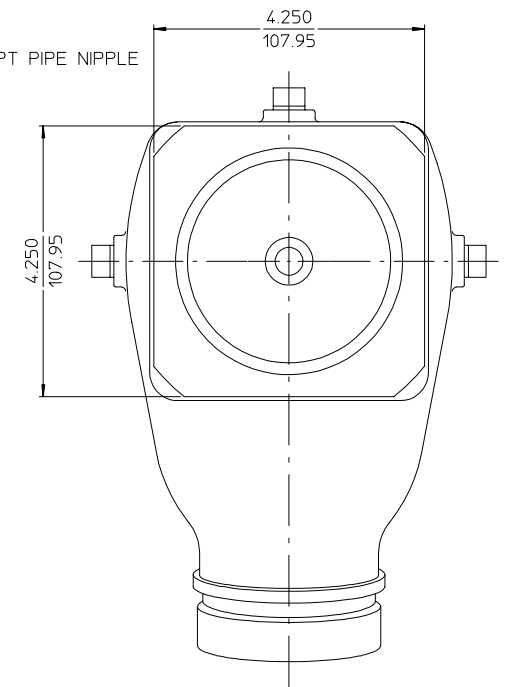
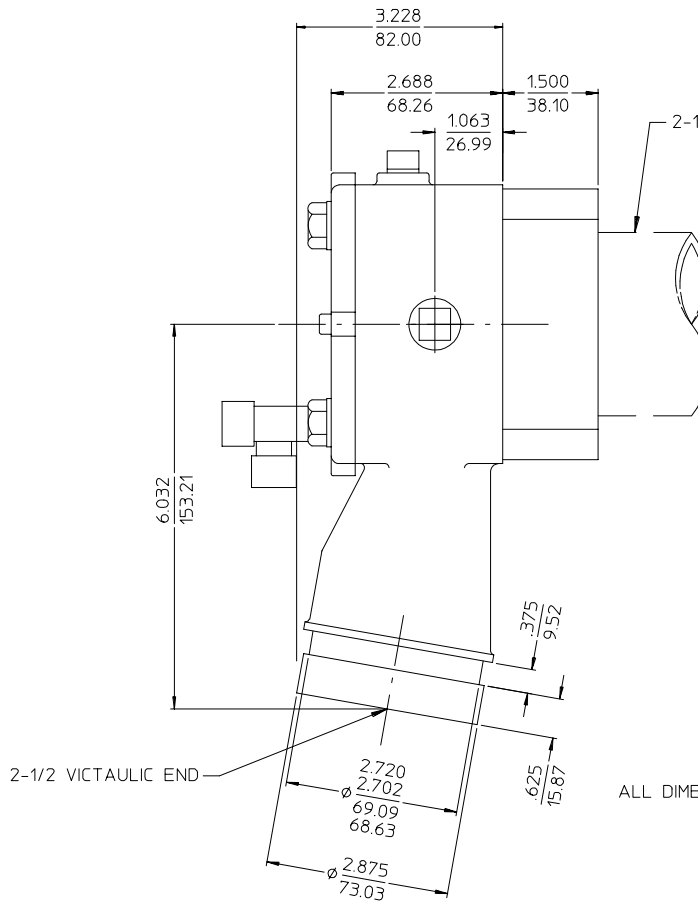
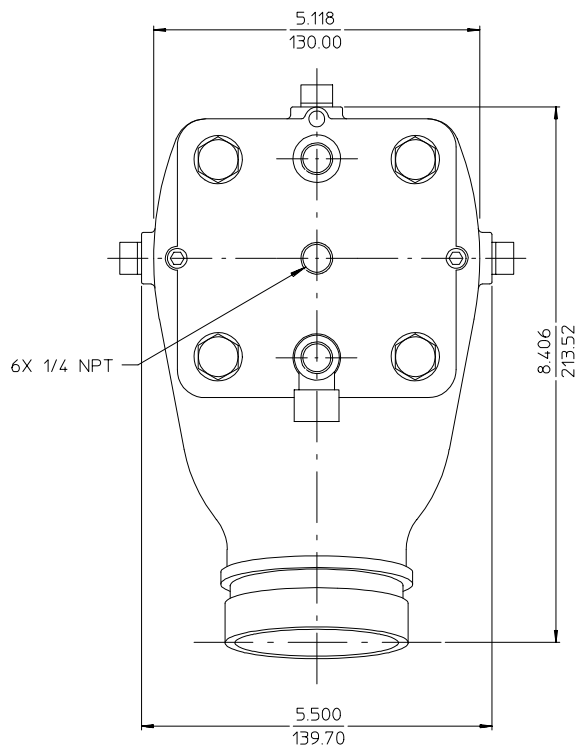
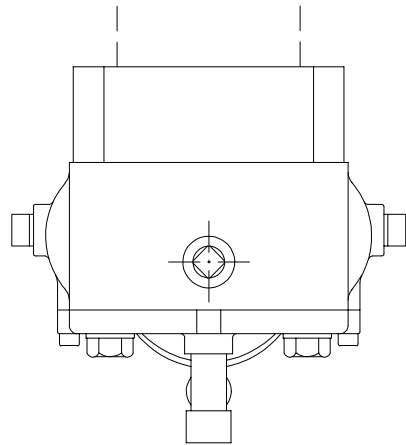
INTAKE RELIEF VALVE
DPL82084-5
WATEROUS COMPANY
SOUTH ST. PAUL, MN 55075
REL: 8/96 PAGE 2 OF 4 REV: 07/11/06



NOTES:
1. SEE PAGE 1 FOR PILOT VALVE ASSEMBLY DETAILS.

PUMP MOUNTED RELIEF VALVE WITHOUT EXTENSION
(NORMALLY MOUNTED ON INTAKE NIPPLE IN FRONT OF BUTTERFLY VALVE)

INTAKE RELIEF VALVE
DPL82084-5
WATEROUS COMPANY
SOUTH ST. PAUL, MN 55075
REL: 8/96 PAGE 3 OF 4 REV: 07/11/06



ALL DIMENSIONS SHOWN AS INCH/MILLIMETER

(INCH)
(MILLIMETER)

INTAKE RELIEF VALVE
DPL82084-5
WATEROUS COMPANY
SOUTH ST. PAUL, MN 55075

REL: 8/96 PAGE 4 OF 4 REV: 07/11/06

NOTES:
 1. SEE PAGE 1 FOR PILOT VALVE ASSEMBLY DETAILS.

SEPARATELY MOUNTED RELIEF VALVE