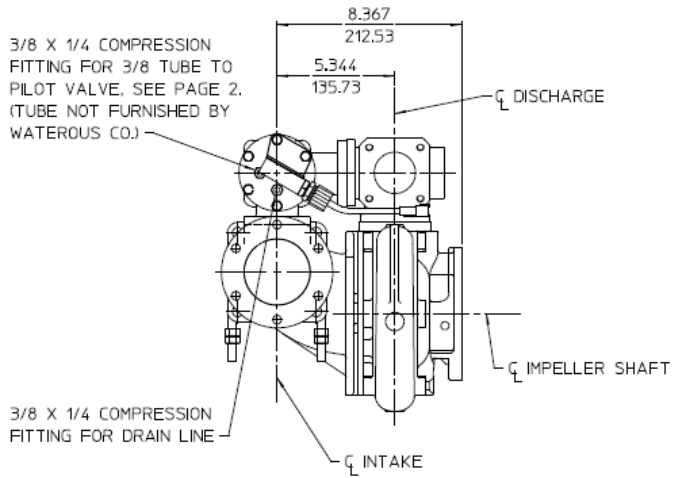




Document Number DPL82084	Issue Date 01/11/96	Rev. Date 10/22/15
------------------------------------	-------------------------------	------------------------------

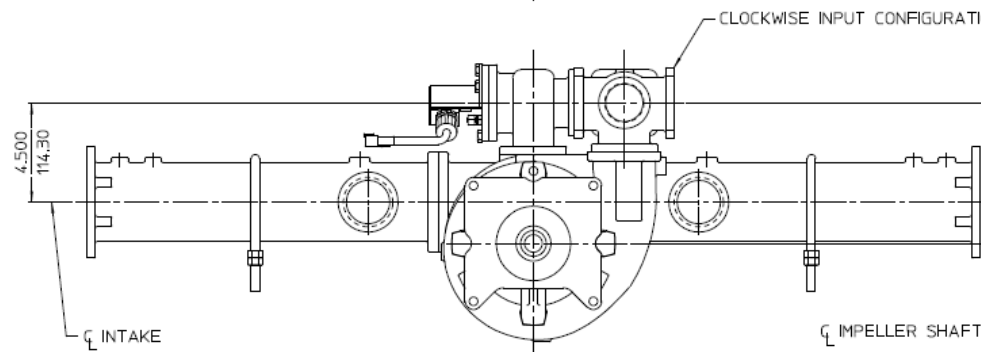
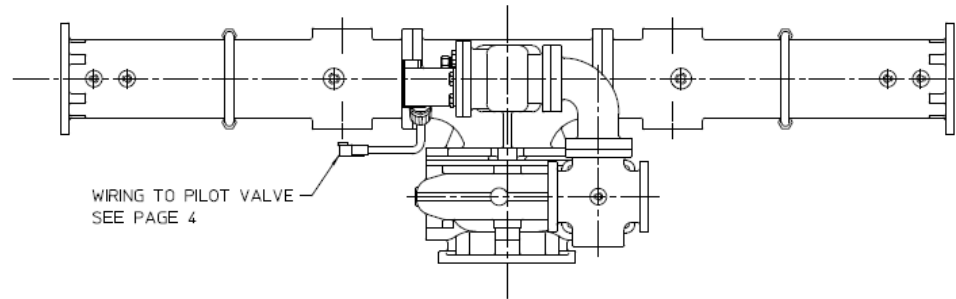
Dimensional Drawings for 2 Inch Discharge Relief Valves

Pump Model	Valve Mounting	See Page
CLS	On Pump	1
All	Separately	2
All	Pilot Valves	3, 4

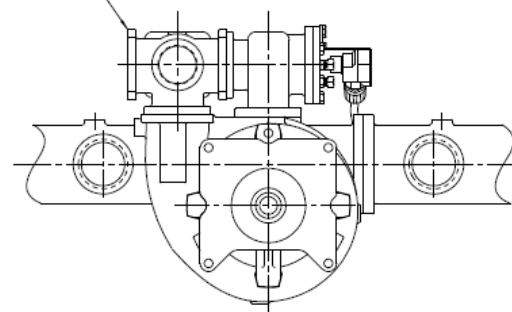


ALL DIMENSIONS SHOWN AS INCH/MILLIMETER

(INCH / MILLIMETER)

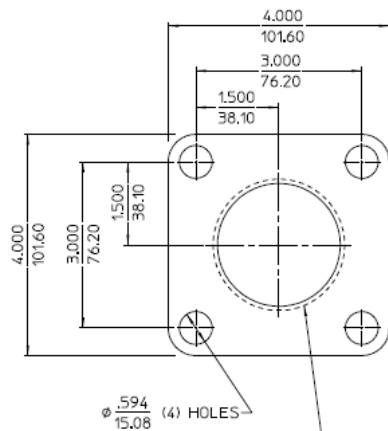


COUNTER CLOCKWISE
INPUT CONFIGURATION



PUMP MODELS CLSK, CLSPA & CLSWB, NORMAL DROP (NO ELBOW)

(2 INCH SEPARATELY MOUNTED RELIEF VALVE IS ALSO AVAILABLE. SEE PAGE 2)



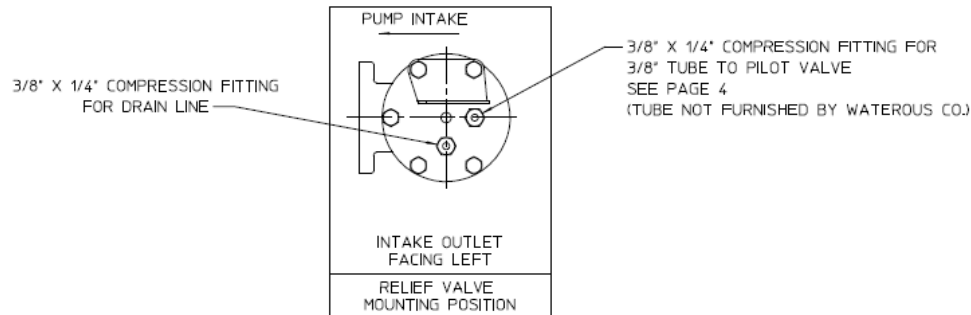
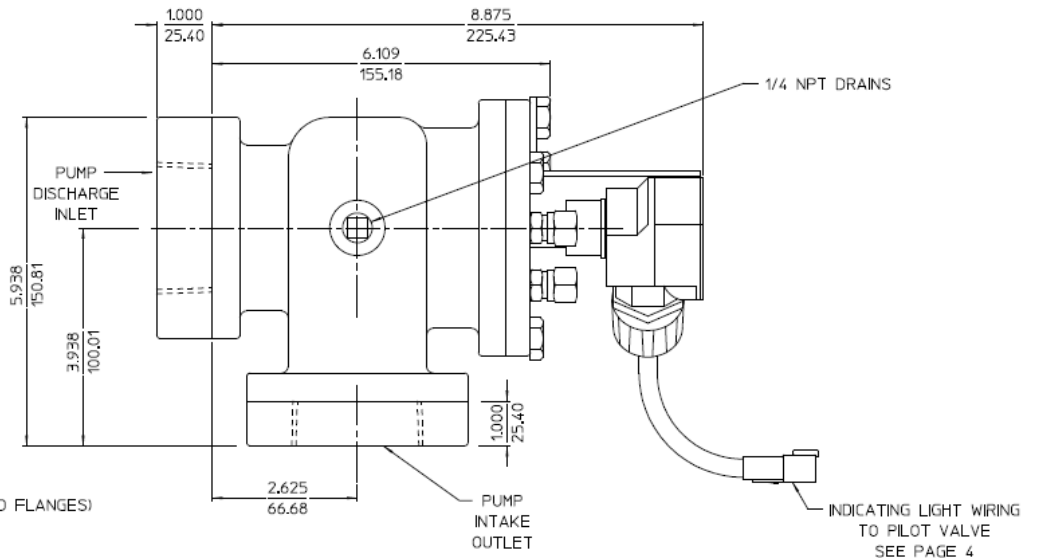
Ø .594 (4) HOLES

AVAILABLE FLANGE OPTIONS

2 INCH NPT TAP (BOTH INTAKE AND DISCHARGE ENDS)

2-1/2 INCH NPT TAP (BOTH INTAKE AND DISCHARGE ENDS)

NO FLANGES (MOUNT DIRECTLY TO RELIEF VALVE OR CUSTOMER PROVIDED FLANGES)

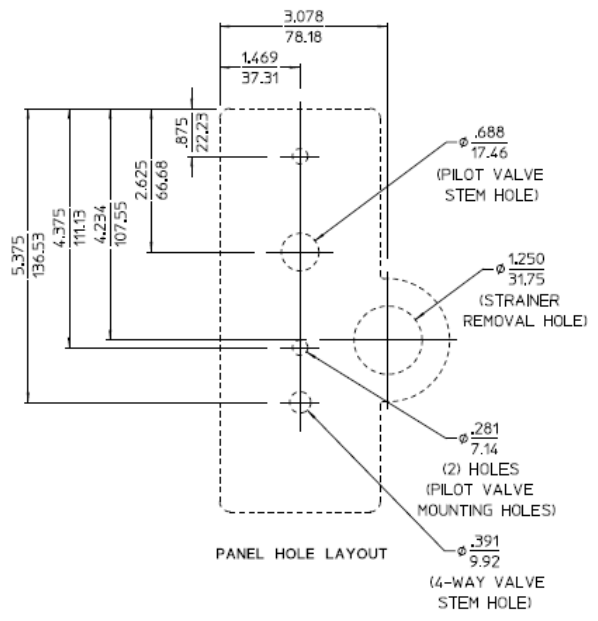
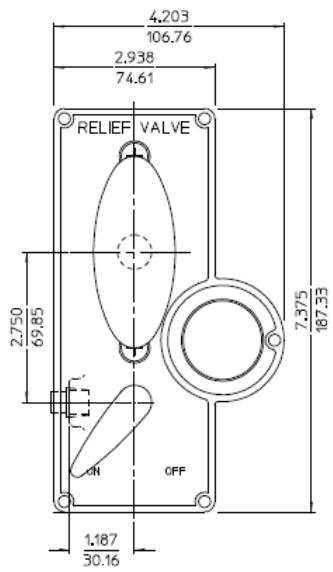
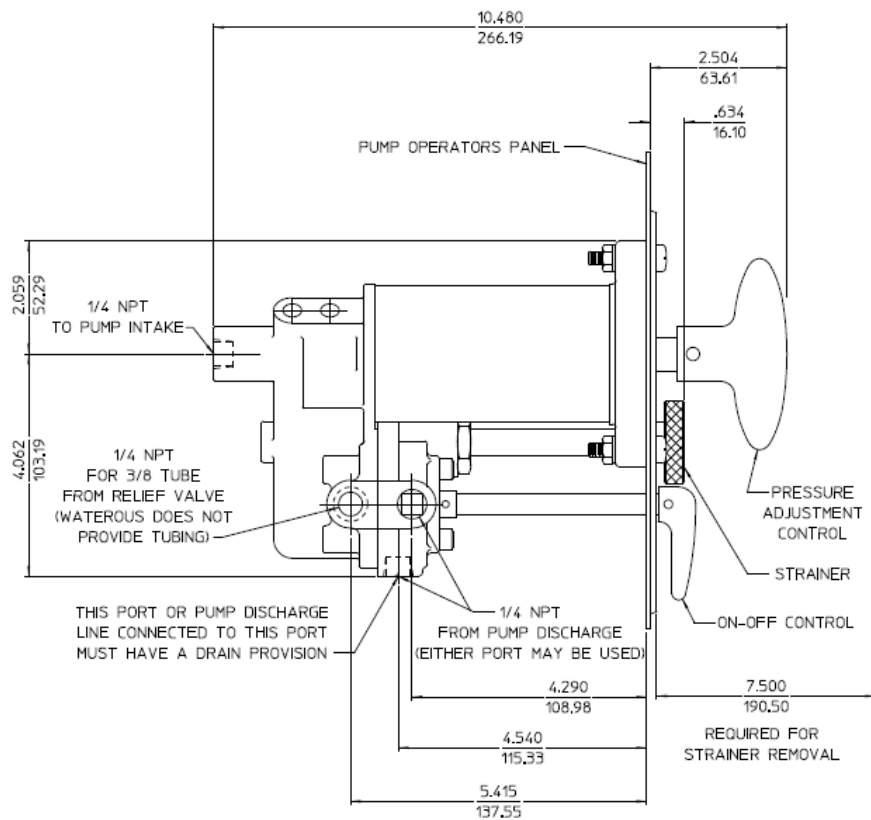


ALL DIMENSIONS SHOWN AS INCH/MILLIMETER
(INCH)
(MILLIMETER)

NOTE: CUSTOMER TO FURNISH 3/8 TUBING TO PILOT VALVE AND
FURNISH PIPING FROM PUMP DISCHARGE AND TO PUMP INTAKE.

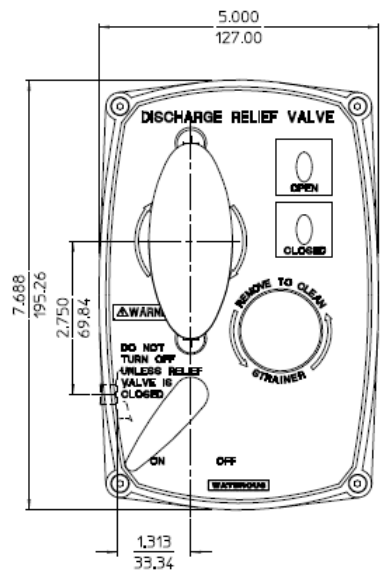
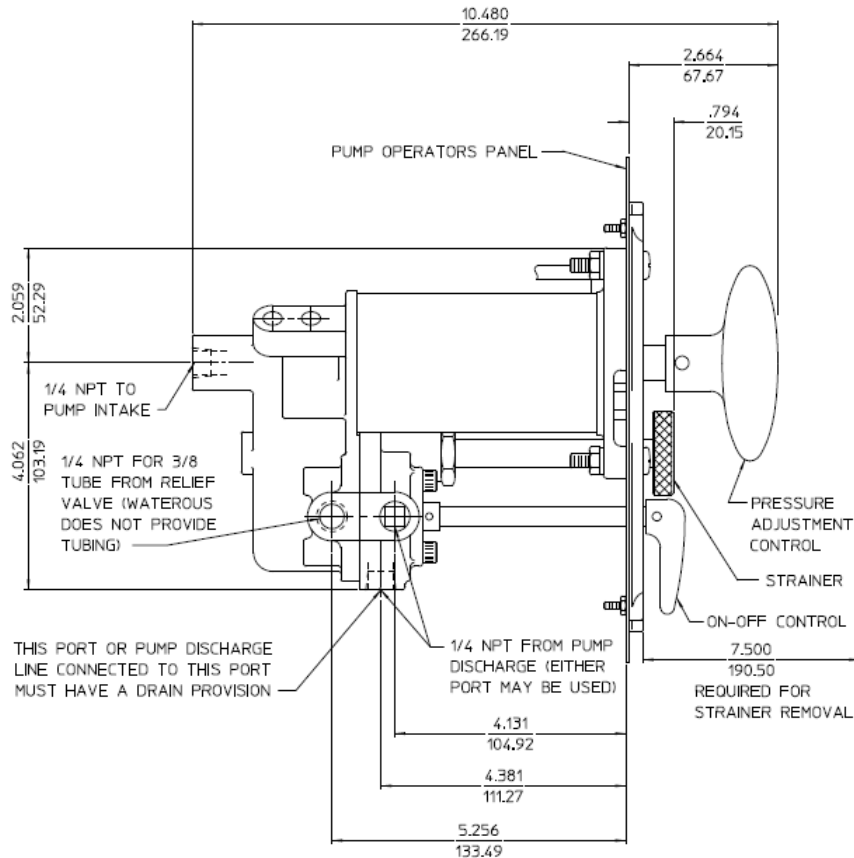
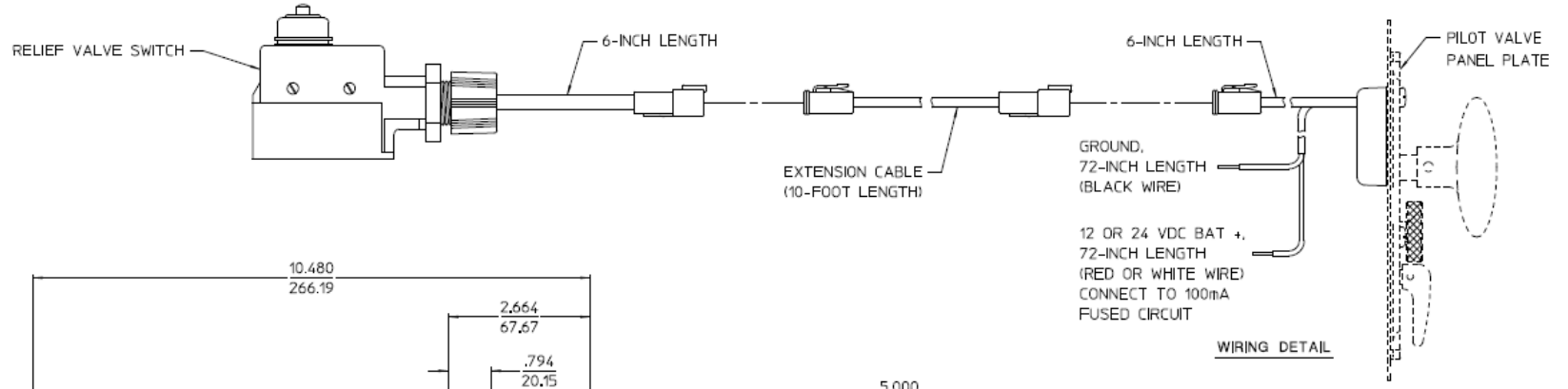
2 INCH SEPARATELY MOUNTED RELIEF VALVE

AVAILABLE FOR THE FOLLOWING PUMP MODELS: CGV, CGVR, CGVN, CGVG, CLV, CLR, CLS, CP2, CP3-5, CP4

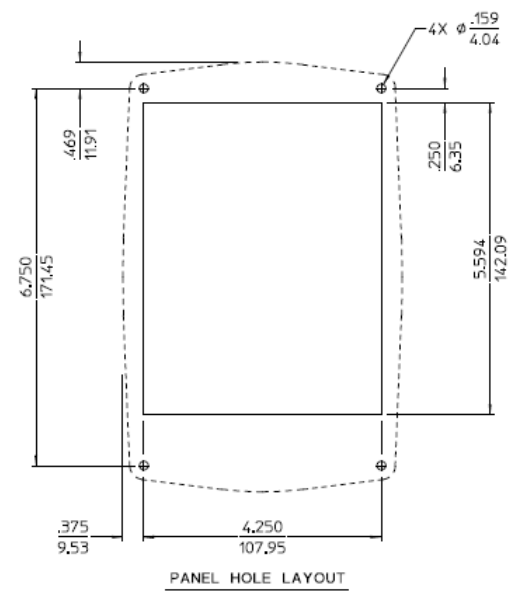


ALL DIMENSIONS SHOWN AS INCH/MILLIMETER
 (INCH)
 (MILLIMETER)

PILOT VALVE WITHOUT INDICATING LIGHTS



ALL DIMENSIONS SHOWN AS INCH/MILLIMETER
(INCH / MILLIMETER)



PILOT VALVE WITH INDICATING LIGHTS