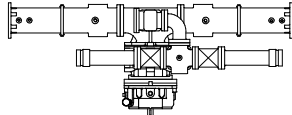
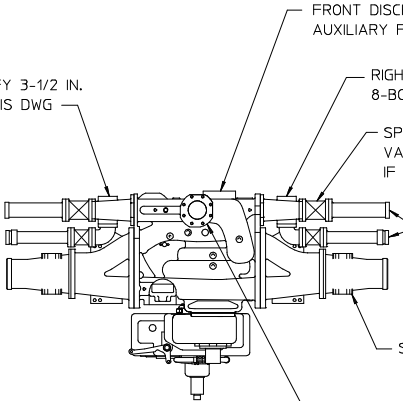
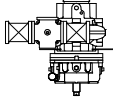
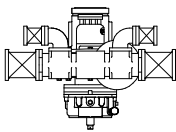
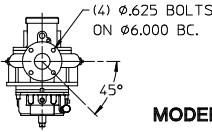
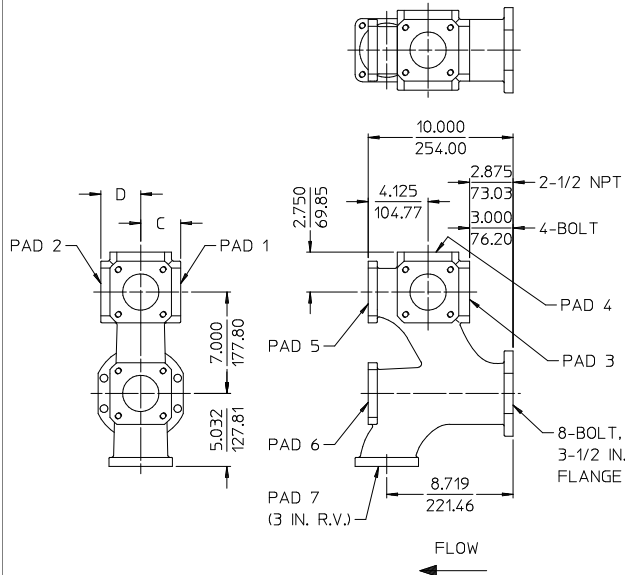


## Discharge Fittings Dimensional Drawings

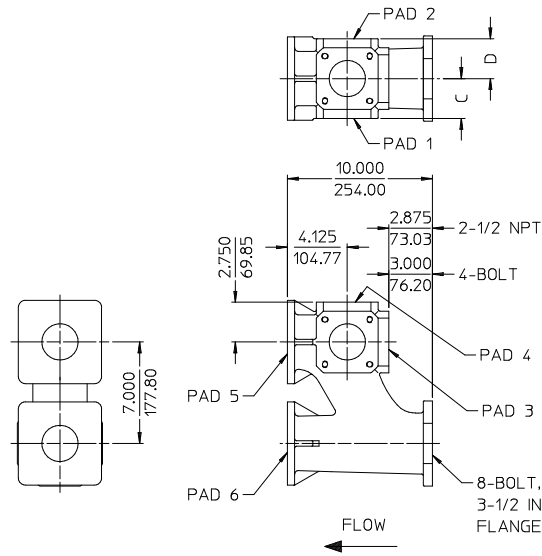
<p style="text-align: center;">THE PUMPS LISTED BELOW DO NOT REQUIRE FITTINGS FROM THIS DWG AND ARE SHOWN FOR REFERENCE ONLY</p>	<p style="text-align: center;">SPECIFY FITTINGS FROM THIS DWG TO BE MOUNTED DIRECTLY ON THE PUMP DISCHARGE FLANGES AS FOLLOWS:</p>	
 <p style="text-align: center;"><b>MODEL CLS</b></p> <p style="font-size: small;">SPECIFY 2-1/2 IN. DISCHARGE VALVES FROM DISCHARGE VALVE DWGS OR 2-1/2 IN. 4-BOLT FITTINGS FROM THIS DWG FITTING DWG DPL82088.</p>	 <p style="font-size: x-small;">FRONT DISCHARGE, SPECIFY FITTINGS FROM AUXILIARY FITTING DRAWING DPL82088</p> <p style="font-size: x-small;">RIGHT SIDE FITTING, SPECIFY 3-1/2 IN. 8-BOLT FITTINGS FROM THIS DRAWING</p> <p style="font-size: x-small;">LEFT SIDE FITTING, SPECIFY 3-1/2 IN. 8-BOLT FITTINGS FROM THIS DWG</p> <p style="font-size: x-small;">SPECIFY 2-1/2 IN. OR 3-1/2 IN. DISCHARGE VALVES FROM DISCHARGE VALVE DWGS IF REQ'D (BOTH SIDES TYP)</p> <p style="font-size: x-small;">SPECIFY ANY ADDITIONAL FITTINGS FROM AUXILIARY FITTING DRAWING DPL82088 IF REQUIRED (BOTH SIDES TYP)</p> <p style="font-size: x-small;">SEE DWG DPL81867 FOR INTAKE FITTINGS</p> <p style="font-size: x-small;">CENTER DISCHARGE, SPECIFY FITTINGS FROM DRAWING DPL82089</p> <p style="font-size: x-small;">NOTE: SEE DWGS DPL82084-1 &amp; DPL82084-2 FOR RELIEF VALVES MOUNTED BETWEEN DISCHARGE AND INTAKE FITTINGS</p> <p style="font-size: x-small;">IF 3-1/2 IN. DISCHARGE VALVES ARE MOUNTED ON THE PUMP AND CENTER DISCHARGE PIPING, A SIAMESE FITTING MAY BE USED (MAY BE EITHER LEFT OR RIGHT SIDE) (SEE AUXILIARY FITTING DWG DPL82088 FOR DETAILS)</p>	
 <p style="text-align: center;"><b>MODELS CLR, CLV</b></p> <p style="font-size: small;">SPECIFY 2-1/2 IN. DISCHARGE VALVES FROM DISCHARGE VALVE DWGS OR 2-1/2 IN. 4-BOLT FITTINGS (IF REQ'D) FROM THIS DWG</p>		
 <p style="text-align: center;"><b>MODELS CXR, CXV, CXN</b></p> <p style="font-size: small;">SPECIFY 2-1/2 IN. AND/OR 3-1/2 IN. DISCHARGE VALVES FROM DISCHARGE VALVE DWGS OR SPECIFY 3-1/2 IN. 8-BOLT OR 2-1/2 IN. 4-BOLT FITTING FROM THIS DWG OR PUMP HAS A 4 IN. ANSI FLANGE DISCHARGE WHICH THE CUSTOMER MUST FABRICATE PIPING FOR.</p>		
 <p style="text-align: center;"><b>MODELS CGV, CGVR, CGVN, CGVG</b></p> <p style="font-size: x-small;">(4) <math>\phi</math>.625 BOLTS ON <math>\phi</math>6.000 BC. 45°</p> <p style="font-size: small;">THESE PUMPS HAVE A FLANGED DISCHARGE. CUSTOMER MUST FABRICATE PIPING OR A 4 IN. VICTAULIC ADAPTER IS AVAILABLE WHICH IS ORDERED WITH PUMP BODY.</p>		
<p style="font-size: small;">THE DISCHARGE FITTINGS ARE ORDERED WITH THE PUMP BODY FOR THESE PUMPS. SEE DRAWINGS DPL82571 (S100) OR DPL83067 (S101).</p> <p style="text-align: center;"><b>MODELS S100 AND S101</b></p>		
<p style="font-size: small;">THESE PUMPS HAVE NPT DISCHARGE TAPS. THE CUSTOMER MUST FABRICATE PIPING.</p> <p style="text-align: center;"><b>MODELS CP-2, CP-4</b></p>		<p style="font-size: small;">THE DISCHARGE FITTINGS ARE ORDERED WITH THE PUMP BODY FOR THIS PUMP. SEE DWG DPL81756.</p> <p style="text-align: center;"><b>MODEL CP-3</b></p>
<p style="font-size: small;">THESE PUMPS HAVE VICTAULIC DISCHARGES. THE CUSTOMER MUST FABRICATE PIPING.</p> <p style="text-align: center;"><b>MODELS CR, CRU, CZU</b></p>	<p style="font-size: small;">THESE PUMPS HAVE FLANGED DISCHARGES. THE CUSTOMER MUST FABRICATE PIPING.</p> <p style="text-align: center;"><b>MODELS CH-4, CZ</b></p>	
<p style="font-size: large;"><b>MODELS CM, CMH, CMU, CMUH</b></p> <p style="font-size: large;"><b>CS, CSH, CSU, CSUH</b></p>		

**3-1/2 IN. 8-BOLT FITTINGS**

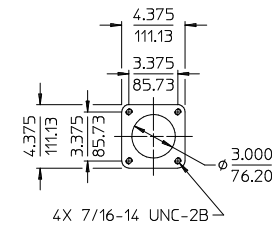
**WYES**



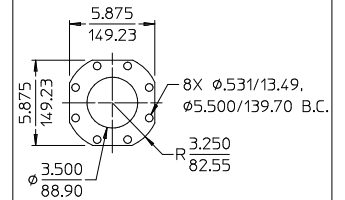
**71441-30**  
(SEE TABLE BELOW)



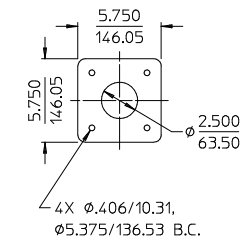
**83074-30, 83074-31, 83074-32**  
(SEE TABLE BELOW)  
(NOT AVAILABLE IN BRONZE MATERIAL)



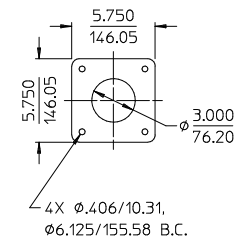
3 IN. RELIEF VALVE PAD



USE GASKET 51195 OR 52108  
8-BOLT, 3-1/2 IN. FLANGE

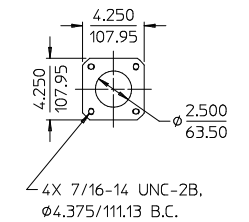


2-1/2 IN. UNI-BODY  
(AKRON/ELKHART)



3 IN. UNI-BODY  
(AKRON/ELKHART)

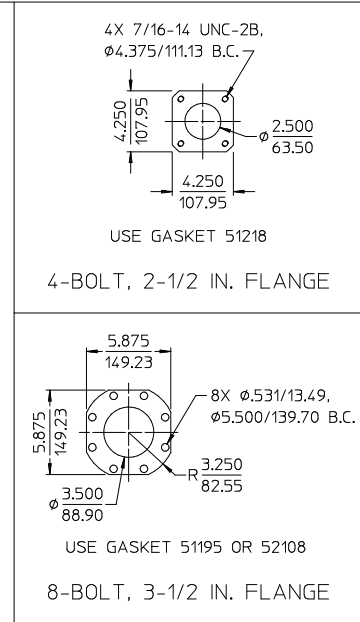
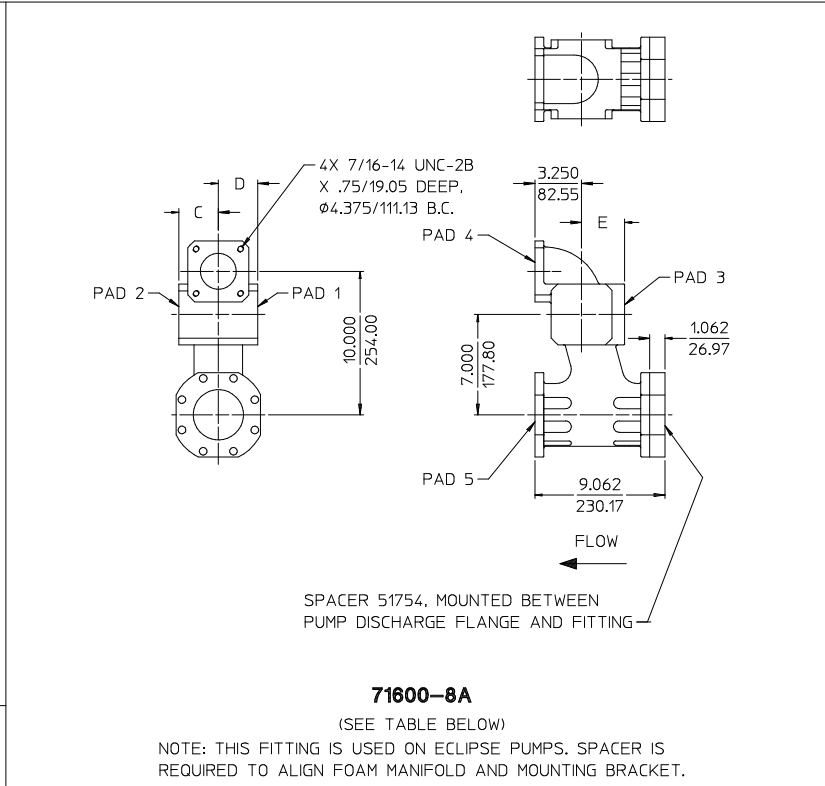
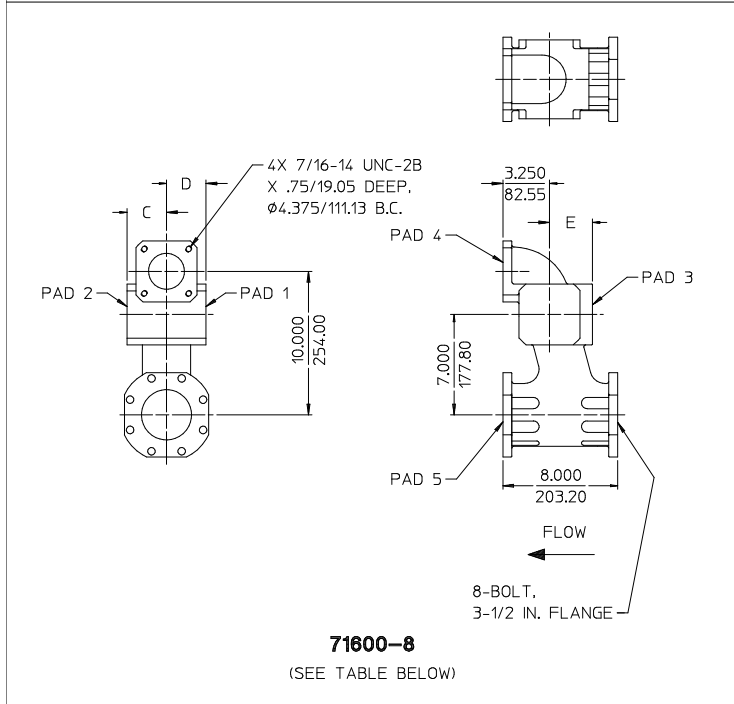
PART NO.	PAD 1		PAD 2		PAD 3		PAD 4		PAD 5		PAD 6		PAD 7		DIMENSION C	DIMENSION D
	MACHINED	INSTALL AUX. FITTINGS	MACHINED	INSTALL AUX. FITTINGS	MACHINED	INSTALL AUX. FITTINGS	MACHINED	INSTALL AUX. FITTINGS	MACHINED	INSTALL AUX. FITTINGS	MACHINED	INSTALL AUX. FITTINGS	MACHINED	INSTALL AUX. FITTINGS		
71441-30	4-BOLT	TYPE 1	4-BOLT	TYPE 1	4-BOLT	TYPE 1	4-BOLT	TYPE 1	4-BOLT	TYPE 1	4-BOLT	TYPE 1	3 IN. RV	TYPE 14	2.625/66.68	2.625/66.68
83074-30	4-BOLT	TYPE 1	4-BOLT	TYPE 1	4-BOLT	TYPE 1	4-BOLT	TYPE 1	4-BOLT	TYPE 1	4-BOLT	TYPE 1		N/A	2.625/66.68	2.625/66.68
83074-31	4-BOLT	TYPE 1	4-BOLT	TYPE 1	4-BOLT	TYPE 1	4-BOLT	TYPE 1	2-1/2 IN. UNI-BODY	TYPE 36	2-1/2 IN. UNI-BODY	TYPE 36		N/A	2.625/66.68	2.625/66.68
83074-32	4-BOLT	TYPE 1	4-BOLT	TYPE 1	4-BOLT	TYPE 1	4-BOLT	TYPE 1	2-1/2 IN. UNI-BODY	TYPE 36	3 IN. UNI-BODY	TYPE 71		N/A	2.625/66.68	2.625/66.68



USE GASKET 51218  
4-BOLT, 2-1/2 IN. FLANGE

- NOTES:
1. ALL FITTINGS ARE AVAILABLE IN IRON OR BRONZE UNLESS OTHERWISE SPECIFIED, ADD \*-BZ\* SUFFIX TO PART NO. FOR BRONZE FITTINGS.
  2. SEE DRAWING DPL82088 FOR AUXILIARY FITTINGS WHICH MAY BE INSTALLED ON FITTING PADS.
  3. ALL DIMENSIONS SHOWN AS INCH/MILLIMETER.

**3-1/2 IN. 8-BOLT FITTINGS  
WYES**



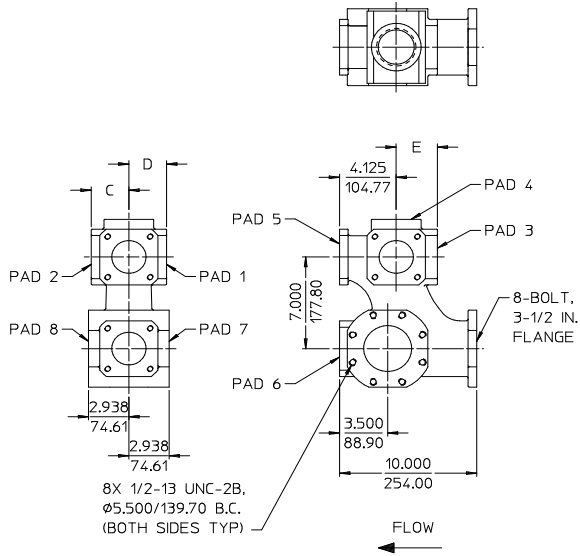
PART NO.	PAD 1		PAD 2		PAD 3		PAD 4		PAD 5		DIMENSION C	DIMENSION D	DIMENSION E
	MACHINED	INSTALL AUX. FITTINGS	MACHINED	INSTALL AUX. FITTINGS	MACHINED	INSTALL AUX. FITTINGS	MACHINED	INSTALL AUX. FITTINGS	MACHINED	INSTALL AUX. FITTINGS			
71600-8	4-BOLT	TYPE 1	4-BOLT	TYPE 1	4-BOLT	TYPE 1	4-BOLT	TYPE 1	8-BOLT	TYPE 8	2.625/66.68	2.625/66.68	2.875/73.03
71600-8A	4-BOLT	TYPE 1	4-BOLT	TYPE 1	4-BOLT	TYPE 1	4-BOLT	TYPE 1	8-BOLT	TYPE 8	2.625/66.68	2.625/66.68	2.875/73.03

NOTES:

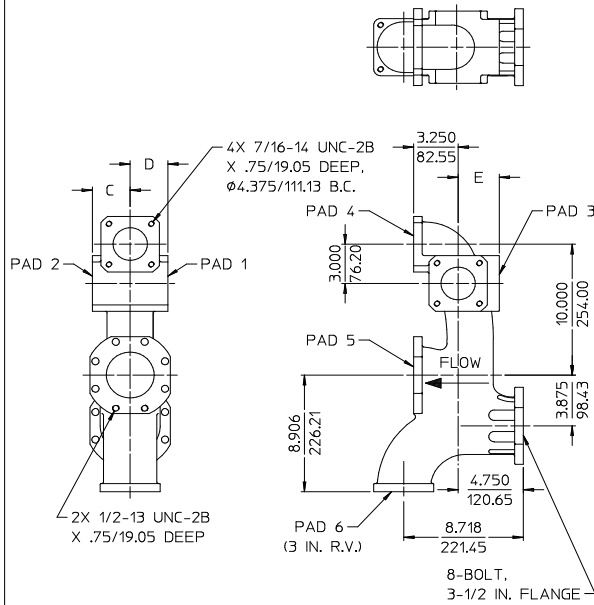
1. ALL FITTINGS ARE AVAILABLE IN IRON OR BRONZE UNLESS OTHERWISE SPECIFIED, ADD \*-BZ\* SUFFIX TO PART NO. FOR BRONZE FITTINGS.
2. SEE DRAWING DPL82088 FOR AUXILIARY FITTINGS WHICH MAY BE INSTALLED ON FITTING PADS.
3. ALL DIMENSIONS SHOWN AS INCH/MILLIMETER.

**3-1/2 IN. 8-BOLT FITTINGS**

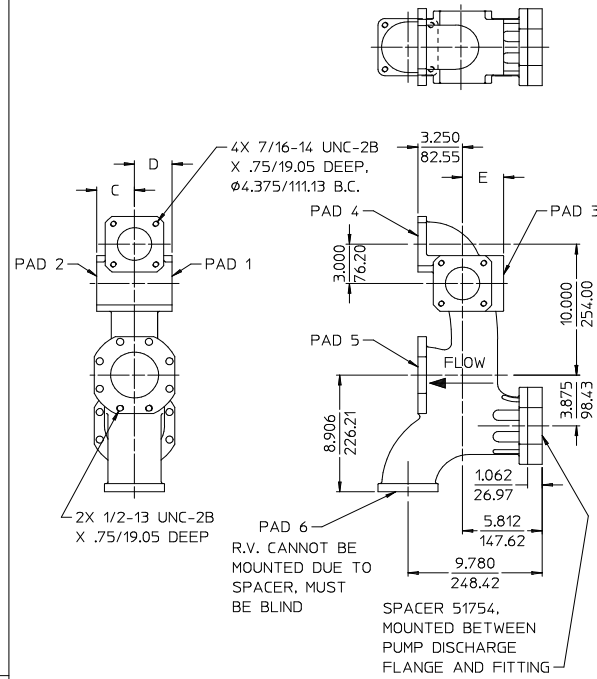
**WYES**



**82325-1**  
(SEE TABLE BELOW)

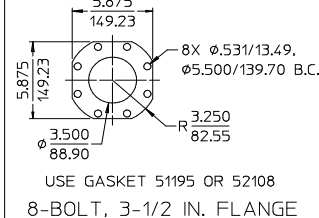
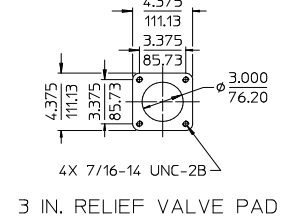
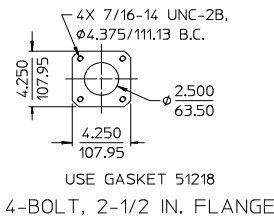


**81388-7**  
(SEE TABLE BELOW)



**81388-7A**  
(SEE TABLE BELOW)

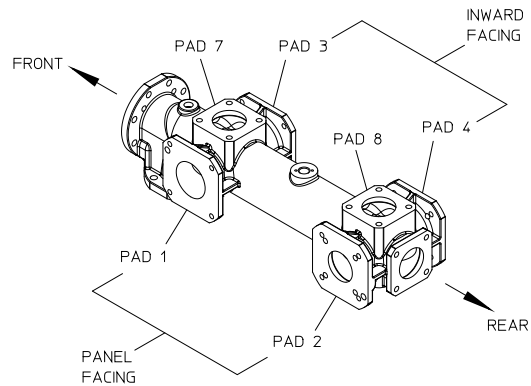
NOTE: THIS FITTING IS USED ON ECLIPSE PUMPS. SPACER IS REQUIRED TO ALIGN FOAM MANIFOLD AND MOUNTING BRACKET



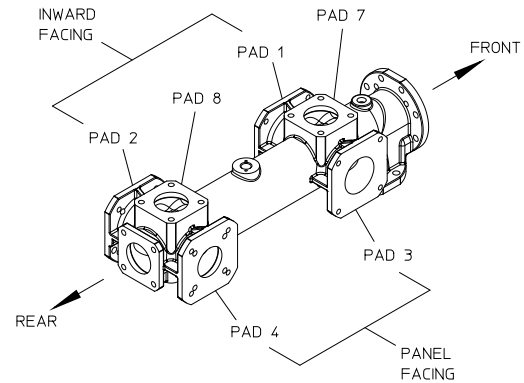
- NOTES:
1. ALL FITTINGS ARE AVAILABLE IN IRON OR BRONZE UNLESS OTHERWISE SPECIFIED. ADD "-BZ" SUFFIX TO PART NO. FOR BRONZE FITTINGS.
  2. SEE DRAWING DPL82088 FOR AUXILIARY FITTINGS WHICH MAY BE INSTALLED ON FITTING PADS.
  3. ALL DIMENSIONS SHOWN AS INCH/MILLEMETER.

PART NO.	PAD 1		PAD 2		PAD 3		PAD 4		PAD 5		PAD 6		PAD 7		PAD 8		DIMENSION C	DIMENSION D	DIMENSION E
	MACHINED	INSTALL AUX. FITTINGS	MACHINED	INSTALL AUX. FITTINGS	MACHINED	INSTALL AUX. FITTINGS	MACHINED	INSTALL AUX. FITTINGS	MACHINED	INSTALL AUX. FITTINGS	MACHINED	INSTALL AUX. FITTINGS	MACHINED	INSTALL AUX. FITTINGS					
82325-1	4-BOLT	TYPE 1	4-BOLT	TYPE 1	4-BOLT	TYPE 1	2-1/2 NPT	TYPE 2	4-BOLT	TYPE 1	4-BOLT	TYPE 1	8-BOLT	TYPE 8	8-BOLT	TYPE 8	2.625/66.68	2.625/66.68	2.875/73.03
81388-7	4-BOLT	TYPE 1	4-BOLT	TYPE 1	4-BOLT	TYPE 1	4-BOLT	TYPE 1	8-BOLT	TYPE 8	3 IN. RV	TYPE 14	N/A	N/A	N/A	N/A	2.625/66.68	2.625/66.68	2.875/73.03
81388-7A	4-BOLT	TYPE 1	4-BOLT	TYPE 1	4-BOLT	TYPE 1	4-BOLT	TYPE 1	8-BOLT	TYPE 8	3 IN. RV	TYPE 14	N/A	N/A	N/A	N/A	2.625/66.68	2.625/66.68	2.875/73.03

**3-1/2 IN. 8-BOLT FITTINGS, H MANIFOLD**



**MANIFOLD MOUNTED ON LEFT SIDE OF PUMP**

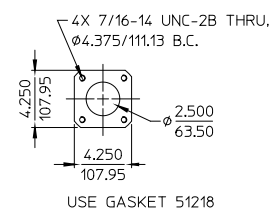
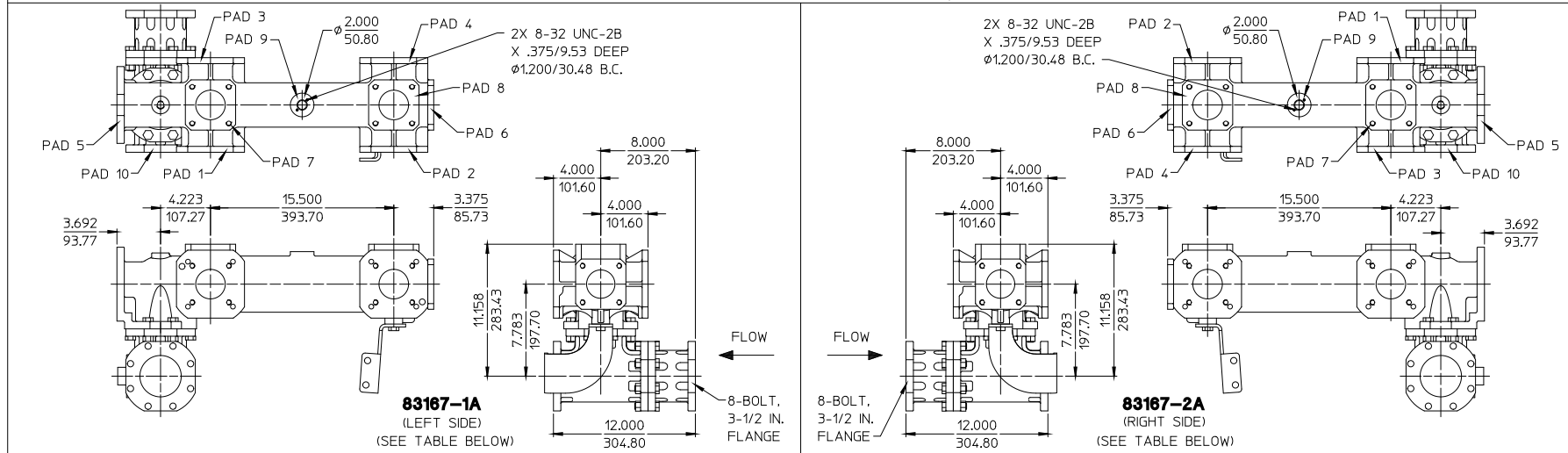


**MANIFOLD MOUNTED ON RIGHT SIDE OF PUMP**

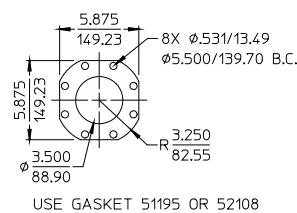
PART NO.		PANEL FACING AND INWARD FACING PAD MACHINING						SEE PAGE
LEFT MOUNTING	RIGHT MOUNTING	PAD 1	PAD 2	PAD 3	PAD 4	PAD 7	PAD 8	
83167-1A	83167-2A	2.5 IN. WAT 4-BOLT AND 2.5 IN. UNI-BODY VALVE (2.5 IN. OPENING)	2.5 IN. WAT 4-BOLT AND 2.5 IN. UNI-BODY VALVE (2.5 IN. OPENING)	2.5 IN. WAT 4-BOLT AND 2.5 IN. UNI-BODY VALVE (2.5 IN. OPENING)	2.5 IN. WAT 4-BOLT AND 2.5 IN. UNI-BODY VALVE (2.5 IN. OPENING)	WAT 4-BOLT (2.5 IN. OPENING)	WAT 4-BOLT (2.5 IN. OPENING)	6
83167-1B	83167-2B	3 IN. UNI-BODY VALVE (3.0 IN. OPENING)	2.5 IN. WAT 4-BOLT AND 2.5 IN. UNI-BODY VALVE (2.5 IN. OPENING)	3 IN. UNI-BODY VALVE (3.0 IN. OPENING)	2.5 IN. WAT 4-BOLT AND 2.5 IN. UNI-BODY VALVE (2.5 IN. OPENING)	WAT 4-BOLT (2.5 IN. OPENING)	WAT 4-BOLT (2.5 IN. OPENING)	7
83167-1C	83167-2C	2.5 IN. WAT 4-BOLT (3.0 IN. OPENING)	2.5 IN. WAT 4-BOLT AND 2.5 IN. UNI-BODY VALVE (2.5 IN. OPENING)	2.5 IN. WAT 4-BOLT (3.0 IN. OPENING)	2.5 IN. WAT 4-BOLT AND 2.5 IN. UNI-BODY VALVE (2.5 IN. OPENING)	WAT 4-BOLT (2.5 IN. OPENING)	WAT 4-BOLT (2.5 IN. OPENING)	8
83167-1D	83167-2D	2.5 IN. WAT 4-BOLT AND 3.0 IN. UNI-BODY VALVE (3.0 IN. OPENING)	2.5 IN. WAT 4-BOLT AND 3.0 IN. UNI-BODY VALVE (3.0 IN. OPENING)	2.5 IN. WAT 4-BOLT AND 3.0 IN. UNI-BODY VALVE (3.0 IN. OPENING)	2.5 IN. WAT 4-BOLT AND 3.0 IN. UNI-BODY VALVE (3.0 IN. OPENING)	WAT 4-BOLT (3.0 IN. OPENING)	WAT 4-BOLT (3.0 IN. OPENING)	9

**3-1/2 IN. 8-BOLT FITTINGS**

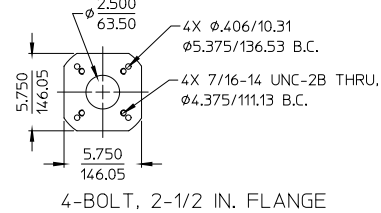
**'H' MANIFOLD - PART NUMBERS 83167-1A, 83167-2A**



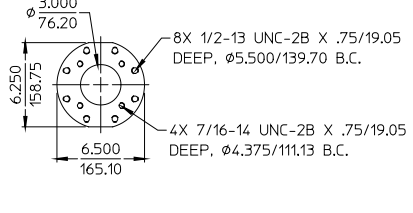
4-BOLT, 2-1/2 IN. FLANGE



8-BOLT, 3-1/2 IN. FLANGE



4-BOLT, 2-1/2 IN. FLANGE  
2-1/2 IN. UNI-BODY (AKRON/ELKHART) FLANGE



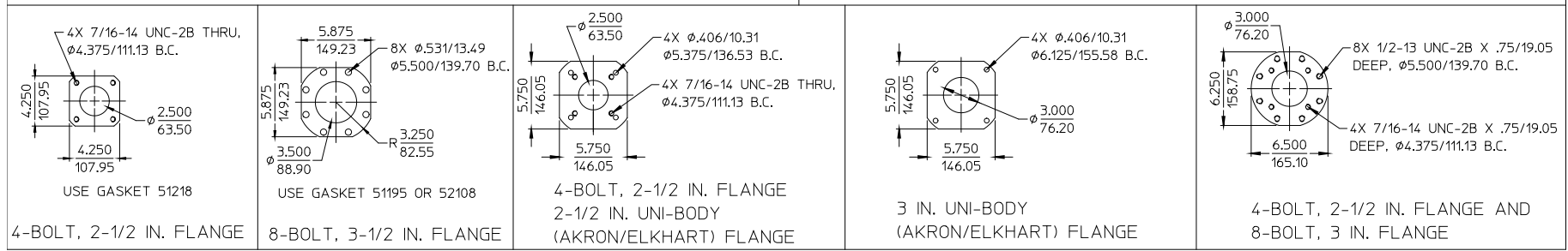
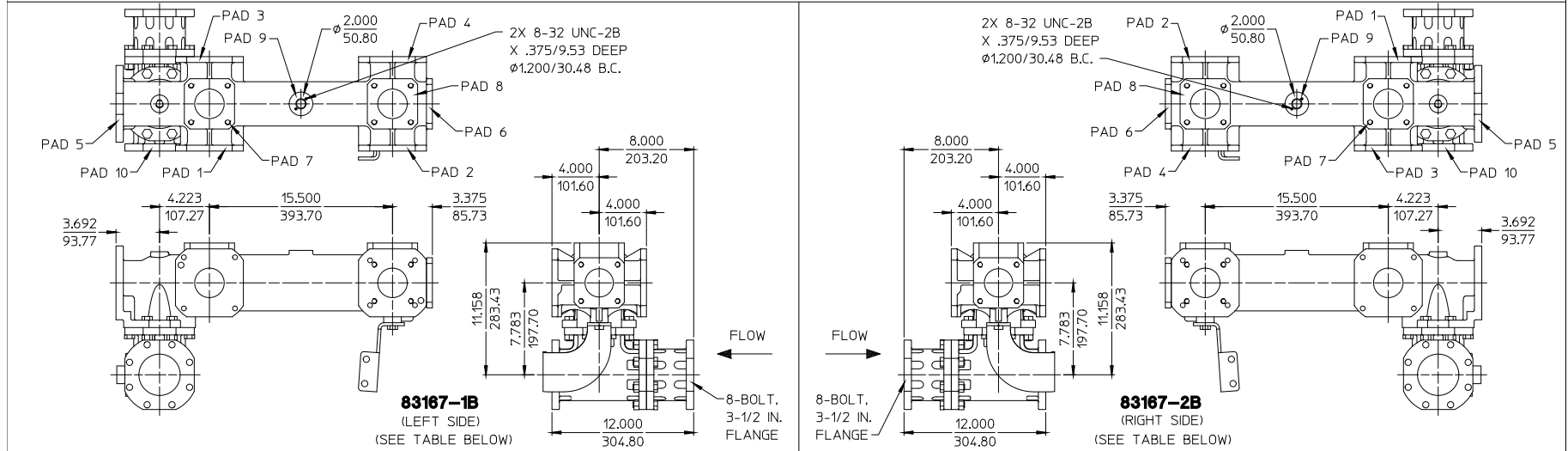
4-BOLT, 2-1/2 IN. FLANGE AND  
8-BOLT, 3 IN. FLANGE

PART NO.	PAD 1		PAD 2		PAD 3		PAD 4		PAD 5		PAD 6		PAD 8		PAD 9		PAD 10			
	MACHINED	INSTALL AUX. FITTINGS	MACHINED	INSTALL AUX. FITTINGS	MACHINED	INSTALL AUX. FITTINGS	MACHINED	INSTALL AUX. FITTINGS	MACHINED	INSTALL AUX. FITTINGS	MACHINED	INSTALL AUX. FITTINGS	MACHINED	INSTALL AUX. FITTINGS	MACHINED	INSTALL AUX. FITTINGS	MACHINED	INSTALL AUX. FITTINGS		
83167-1A	4-BOLT & 2-1/2 UNI-BODY	TYPE 1 OR TYPE 36	4-BOLT & 2-1/2 UNI-BODY	TYPE 1 OR TYPE 36	4-BOLT & 2-1/2 UNI-BODY	TYPE 1 OR TYPE 36	4-BOLT & 2-1/2 UNI-BODY	TYPE 1 OR TYPE 36	4-BOLT & 8-BOLT	TYPE 1 OR TYPE 8	4-BOLT	TYPE 1	4-BOLT	TYPE 1	4-BOLT	TYPE 1	CONDUCT. PROBE	TYPE 70	8-BOLT	TYPE 8
83167-2A	4-BOLT & 2-1/2 UNI-BODY	TYPE 1 OR TYPE 36	4-BOLT & 2-1/2 UNI-BODY	TYPE 1 OR TYPE 36	4-BOLT & 2-1/2 UNI-BODY	TYPE 1 OR TYPE 36	4-BOLT & 2-1/2 UNI-BODY	TYPE 1 OR TYPE 36	4-BOLT & 8-BOLT	TYPE 1 OR TYPE 8	4-BOLT	TYPE 1	4-BOLT	TYPE 1	4-BOLT	TYPE 1	CONDUCT. PROBE	TYPE 70	8-BOLT	TYPE 8

- NOTES:  
 1. FITTINGS ARE ONLY AVAILABLE IN IRON.  
 2. SEE DRAWING DPL82088 FOR AUXILIARY FITTINGS WHICH MAY BE INSTALLED ON FITTING PADS.  
 3. ALL DIMENSIONS SHOWN AS INCH/MILLEMETER.

### 3-1/2 IN. 8-BOLT FITTINGS

#### "H" MANIFOLD - PART NUMBERS 83167-1B, 83167-2B



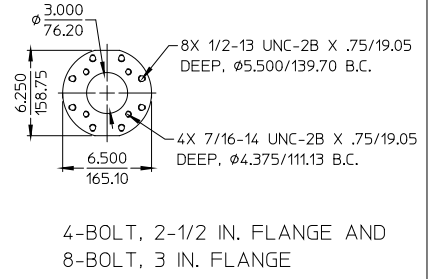
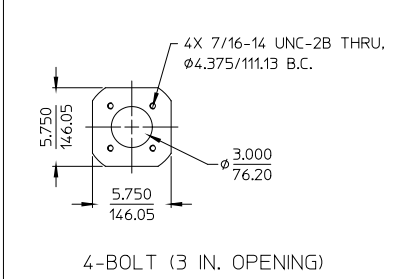
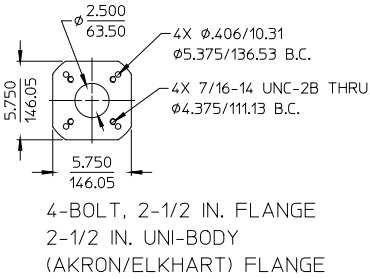
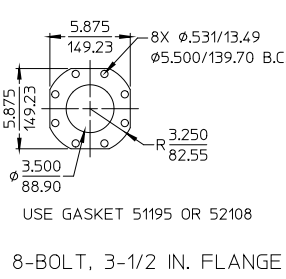
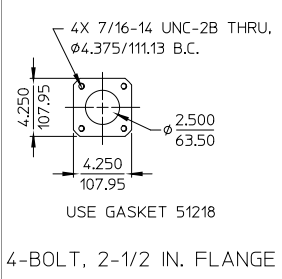
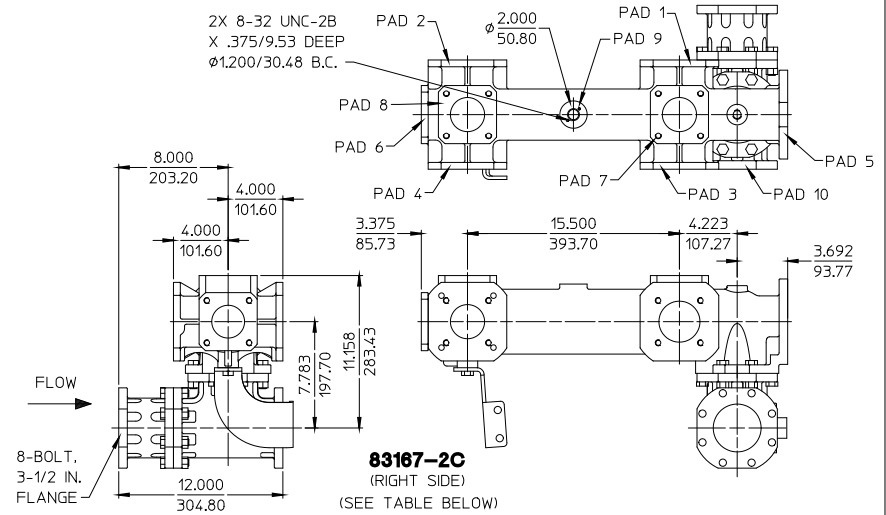
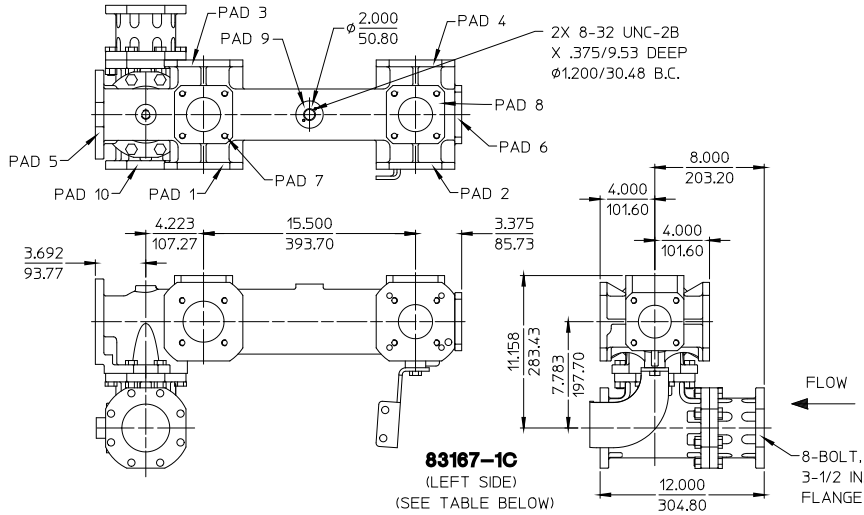
PART NO.	PAD 1		PAD 2		PAD 3		PAD 4		PAD 5		PAD 6		PAD 7		PAD 8		PAD 9		PAD 10	
	MACHINED	INSTALL AUX. FITTINGS	MACHINED	INSTALL AUX. FITTINGS	MACHINED	INSTALL AUX. FITTINGS	MACHINED	INSTALL AUX. FITTINGS	MACHINED	INSTALL AUX. FITTINGS	MACHINED	INSTALL AUX. FITTINGS	MACHINED	INSTALL AUX. FITTINGS	MACHINED	INSTALL AUX. FITTINGS	MACHINED	INSTALL AUX. FITTINGS	MACHINED	INSTALL AUX. FITTINGS
83167-1B	3 IN. UNI-BODY	TYPE 71	4-BOLT & 2-1/2 IN. UNI-BODY	TYPE 1 OR TYPE 36	3 IN. UNI-BODY	TYPE 71	4-BOLT & 2-1/2 UNI-BODY	TYPE 1 OR TYPE 36	4-BOLT & 8-BOLT	TYPE 1 OR TYPE 8	4-BOLT	TYPE 1	4-BOLT	TYPE 1	4-BOLT	TYPE 1	CONDUCT. PROBE	TYPE 70	8-BOLT	TYPE 8
83167-2B	3 IN. UNI-BODY	TYPE 71	4-BOLT & 2-1/2 IN. UNI-BODY	TYPE 1 OR TYPE 36	3 IN. UNI-BODY	TYPE 71	4-BOLT & 2-1/2 UNI-BODY	TYPE 1 OR TYPE 36	4-BOLT & 8-BOLT	TYPE 1 OR TYPE 8	4-BOLT	TYPE 1	4-BOLT	TYPE 1	4-BOLT	TYPE 1	CONDUCT. PROBE	TYPE 70	8-BOLT	TYPE 8

**NOTES:**

- FITTINGS ARE ONLY AVAILABLE IN IRON.
- SEE DRAWING DPL82088 FOR AUXILIARY FITTINGS WHICH MAY BE INSTALLED ON FITTING PADS.
- ALL DIMENSIONS SHOWN AS INCH/MILLEMETER.

**3-1/2 IN. 8-BOLT FITTINGS**

**'H' MANIFOLD - PART NUMBERS 83167-1C, 83167-2C**



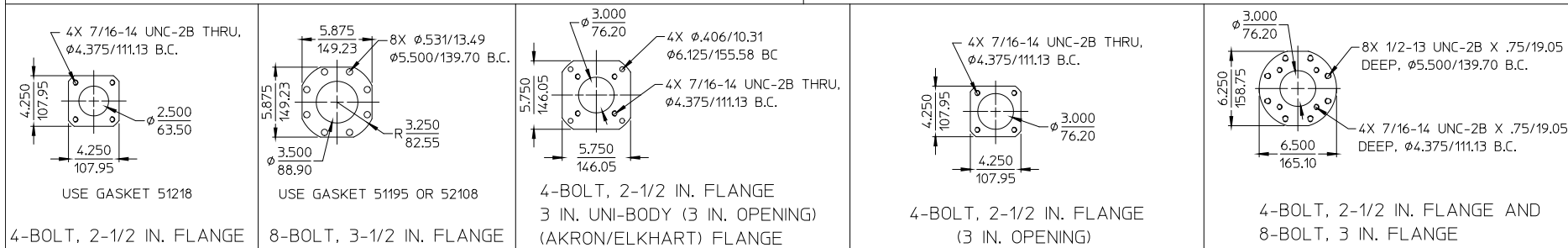
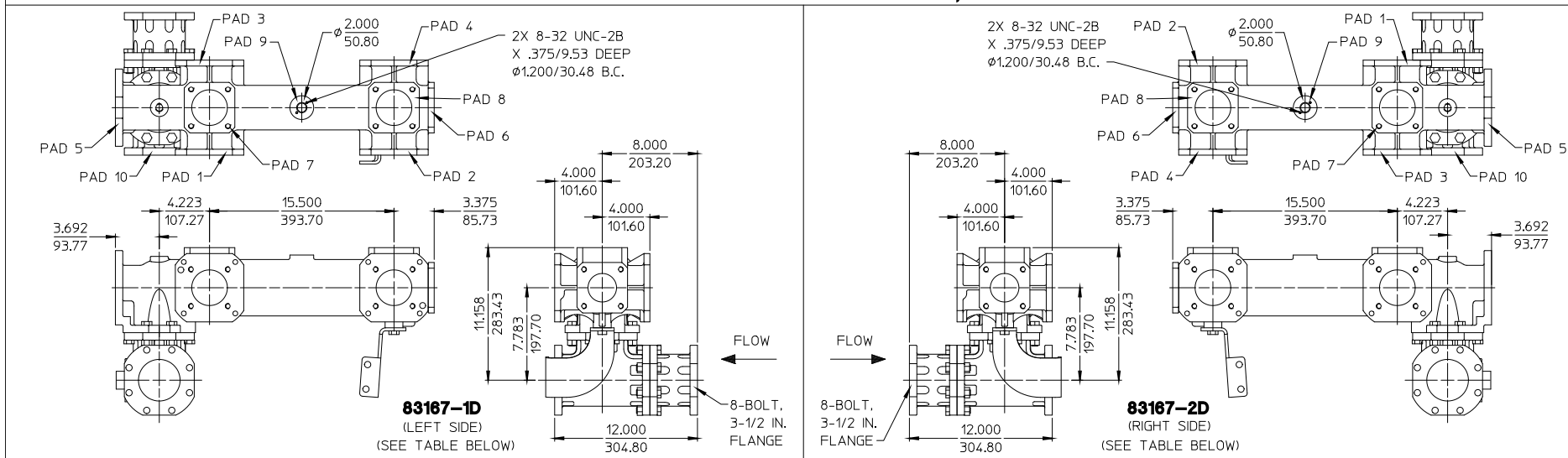
PART NO.	PAD 1		PAD 2		PAD 3		PAD 4		PAD 5		PAD 6		PAD 7		PAD 8		PAD 9		PAD 10	
	MACHINED	INSTALL AUX. FITTINGS	MACHINED	INSTALL AUX. FITTINGS	MACHINED	INSTALL AUX. FITTINGS	MACHINED	INSTALL AUX. FITTINGS	MACHINED	INSTALL AUX. FITTINGS	MACHINED	INSTALL AUX. FITTINGS	MACHINED	INSTALL AUX. FITTINGS	MACHINED	INSTALL AUX. FITTINGS	MACHINED	INSTALL AUX. FITTINGS	MACHINED	INSTALL AUX. FITTINGS
83167-1C	4-BOLT (3 IN. OPENING)	TYPE 72	4-BOLT & 2-1/2 IN. UNI-BODY	TYPE 1 OR TYPE 36	4-BOLT (3 IN. OPENING)	TYPE 72	4-BOLT & 2-1/2 IN. UNI-BODY	TYPE 1 OR TYPE 36	4-BOLT & 8-BOLT	TYPE 1 OR TYPE 8	4-BOLT	TYPE 1	4-BOLT	TYPE 1	4-BOLT	TYPE 1	CONDUCT. PROBE	TYPE 70	8-BOLT	TYPE 8
83167-2C	4-BOLT (3 IN. OPENING)	TYPE 72	4-BOLT & 2-1/2 IN. UNI-BODY	TYPE 1 OR TYPE 36	4-BOLT (3 IN. OPENING)	TYPE 72	4-BOLT & 2-1/2 IN. UNI-BODY	TYPE 1 OR TYPE 36	4-BOLT & 8-BOLT	TYPE 1 OR TYPE 8	4-BOLT	TYPE 1	4-BOLT	TYPE 1	4-BOLT	TYPE 1	CONDUCT. PROBE	TYPE 70	8-BOLT	TYPE 8

- NOTES:  
 1. FITTINGS ARE ONLY AVAILABLE IN IRON.  
 2. SEE DRAWING DPL82088 FOR AUXILIARY FITTINGS WHICH MAY BE INSTALLED ON FITTING PADS.  
 3. ALL DIMENSIONS SHOWN AS INCH/MILLEMMETER.



### 3-1/2 IN. 8-BOLT FITTINGS

#### 'H' MANIFOLD - PART NUMBERS 83167-1D, 83167-2D

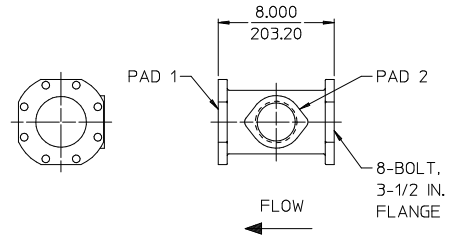


PART NO.	PAD 1		PAD 2		PAD 3		PAD 4		PAD 5		PAD 6		PAD 7		PAD 8		PAD 9		PAD 10	
	MACHINED	INSTALL AUX. FITTINGS	MACHINED	INSTALL AUX. FITTINGS	MACHINED	INSTALL AUX. FITTINGS	MACHINED	INSTALL AUX. FITTINGS	MACHINED	INSTALL AUX. FITTINGS	MACHINED	INSTALL AUX. FITTINGS	MACHINED	INSTALL AUX. FITTINGS	MACHINED	INSTALL AUX. FITTINGS	MACHINED	INSTALL AUX. FITTINGS	MACHINED	INSTALL AUX. FITTINGS
83167-1D	4-BOLT & 3 IN. UNI-BODY	TYPE 1 OR TYPE 71	4-BOLT & 3 IN. UNI-BODY	TYPE 1 OR TYPE 71	4-BOLT & 3 IN. UNI-BODY	TYPE 1 OR TYPE 71	4-BOLT & 3 IN. UNI-BODY	TYPE 1 OR TYPE 71	4-BOLT & 8-BOLT	TYPE 1 OR TYPE 8	4-BOLT	TYPE 1	4-BOLT	TYPE 1	4-BOLT	TYPE 1	CONDUCT. PROBE	TYPE 70	8-BOLT	TYPE 8
83167-2D	4-BOLT & 3 IN. UNI-BODY	TYPE 1 OR TYPE 71	4-BOLT & 3 IN. UNI-BODY	TYPE 1 OR TYPE 71	4-BOLT & 3 IN. UNI-BODY	TYPE 1 OR TYPE 71	4-BOLT & 3 IN. UNI-BODY	TYPE 1 OR TYPE 71	4-BOLT & 8-BOLT	TYPE 1 OR TYPE 8	4-BOLT	TYPE 1	4-BOLT	TYPE 1	4-BOLT	TYPE 1	CONDUCT. PROBE	TYPE 70	8-BOLT	TYPE 8

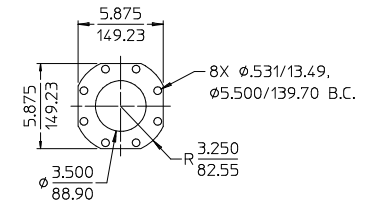
- NOTES:
- FITTINGS ARE ONLY AVAILABLE IN IRON.
  - SEE DRAWING DPL82088 FOR AUXILIARY FITTINGS WHICH MAY BE INSTALLED ON FITTING PADS.
  - ALL DIMENSIONS SHOWN AS INCH/MILLEMETER.

**3-1/2 IN. 8-BOLT FITTINGS**

**EXTENSIONS**



**62052-1**  
(SEE TABLE BELOW)



USE GASKET 51195 OR 52108  
8-BOLT, 3-1/2 IN. FLANGE

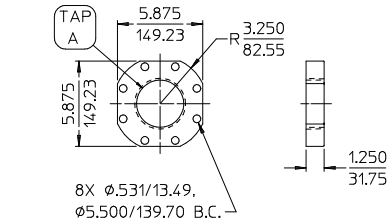
PART NO.	PAD 1		PAD 2	
	MACHINED	INSTALL AUX. FITTINGS	MACHINED	INSTALL AUX. FITTINGS
62052-1	8-BOLT	TYPE 8	2-1/2 NPT	TYPE 2

**NOTES:**

1. ALL FITTINGS ARE AVAILABLE IN IRON OR BRONZE UNLESS OTHERWISE SPECIFIED, ADD "-BZ" SUFFIX TO PART NO. FOR BRONZE FITTINGS.
2. SEE DRAWING DPL82088 FOR AUXILIARY FITTINGS WHICH MAY BE INSTALLED ON FITTING PADS.
3. ALL DIMENSIONS SHOWN AS INCH/MILLIMETER.

**3-1/2 IN. 8-BOLT FITTINGS**

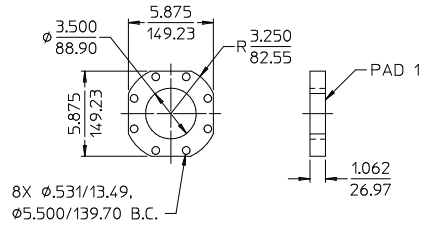
**FLANGES**



**TAPPED FLANGES**

PART NO.	TAP A
* 52556	2-1/2 NPT
* 51744	3 NPT
* 51744-1	3-1/2 NPT
51744-4B	4 NPT

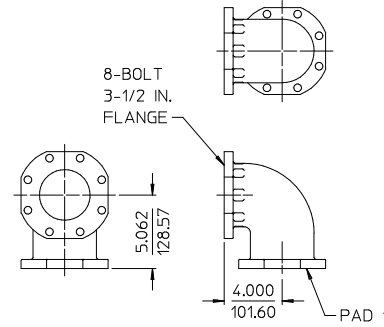
\* AVAILABLE IN IRON ONLY



**SPACER  
51754-A**

(INCLUDES GASKET AND MOUNTING HARDWARE)  
(SEE TABLE BELOW)

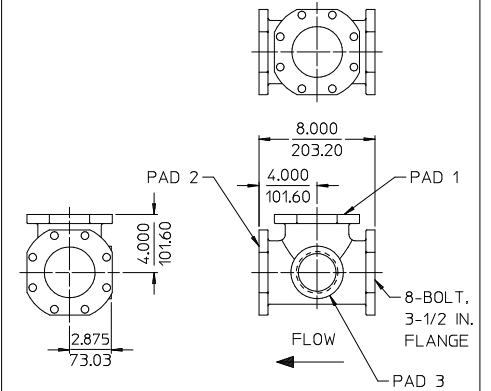
**ELBOWS**



**71597**

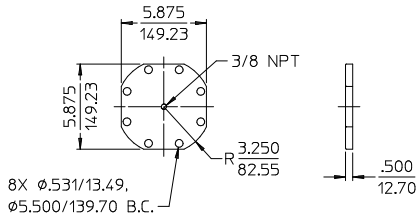
(SEE TABLE BELOW)

**TEES**

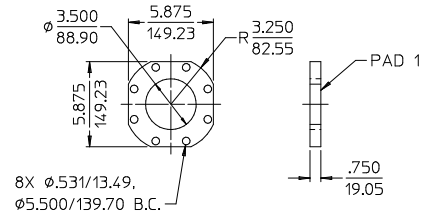


**80827-1**

(SEE TABLE BELOW)  
AVAILABLE IN IRON ONLY

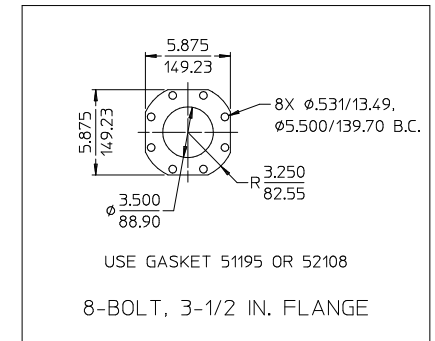


**BLIND FLANGE  
52042-1**



**SPACER  
52703-A**

(SEE TABLE BELOW)



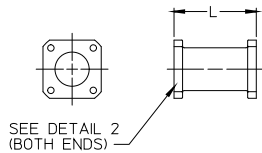
PART NO.	PAD 1		PAD 2		PAD 3	
	MACHINED	INSTALL AUX. FITTINGS	MACHINED	INSTALL AUX. FITTINGS	MACHINED	INSTALL AUX. FITTINGS
51754-A	8-BOLT	TYPE 8		N/A		N/A
52703-A	8-BOLT	TYPE 8		N/A		N/A
71597	8-BOLT	TYPE 8		N/A		N/A
80827-1	8-BOLT	TYPE 8	8-BOLT	TYPE 8	2-1/2 NPT	TYPE 2

**NOTES:**

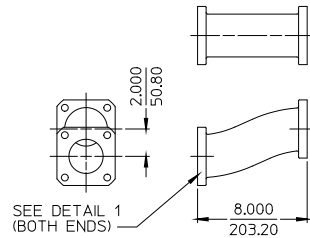
- ALL FITTINGS ARE AVAILABLE IN IRON OR BRONZE UNLESS OTHERWISE SPECIFIED, ADD "-BZ" SUFFIX TO PART NO. FOR BRONZE FITTINGS.
- SEE DRAWING DPL82088 FOR AUXILIARY FITTINGS WHICH MAY BE INSTALLED ON FITTING PADS.
- ALL DIMENSIONS SHOWN AS INCH/MILLIMETER.

**2-1/2 IN. 4-BOLT FITTINGS**

**EXTENSIONS**

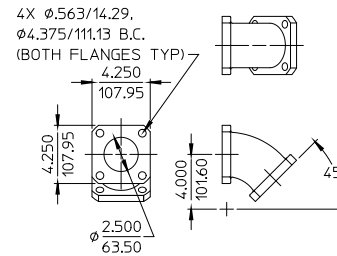


PART NO.	L	INCLUDES GASKET
6038-4A	4.00/101.60	51218
6038-6A	6.00/152.40	
6038-8A	8.00/203.20	

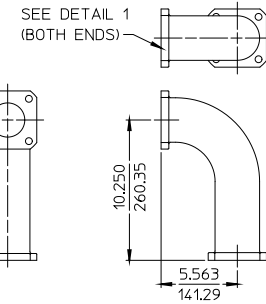


PART NO.	INCLUDES GASKET
71037-A	51218

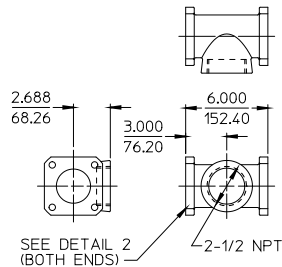
**ELBOWS**



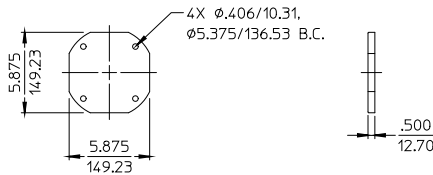
PART NO.	DESCRIPTION	INCLUDES GASKET
70436-A	45° ELBOW	51218



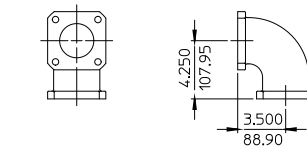
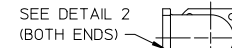
PART NO.	DESCRIPTION	INCLUDES GASKET
71017-A	90° LONG SWEEP	51218



PART NO.	INCLUDES GASKET
60346-A	51218



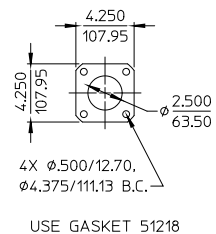
PART NO.	DESCRIPTION	INCLUDES O-RING
63615-A	BLIND FLANGE	W 3756-4



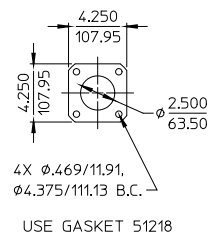
PART NO.	DESCRIPTION	INCLUDES GASKET
61424-A	90° SHORT ELBOW	51218

**NOTES:**

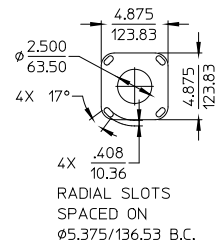
1. ALL FITTINGS ARE AVAILABLE IN IRON OR BRONZE UNLESS OTHERWISE SPECIFIED, ADD \*-BZ\* SUFFIX TO PART NO. FOR BRONZE FITTINGS.
2. ALL FITTINGS INCLUDE GASKETS AND MOUNTING HARDWARE.
3. SEE DWG DPL82088 FOR AUXILIARY FITTINGS WHICH MAY BE INSTALLED ON THESE FITTINGS. (USE TYPE 1 FITTINGS)
4. ALL DIMENSIONS SHOWN AS INCH/MILLIMETER.



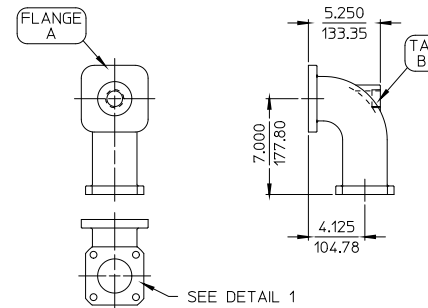
**DETAIL 1**  
2-1/2 IN. FLANGE, (4) BOLT  
(WITH THRU HOLES)



**DETAIL 2**  
2-1/2 IN. FLANGE, (4) BOLT  
(WITH THRU HOLES)



**DETAIL 3**  
2-1/2 IN. AKRON/ELKHART  
FLANGE, (4) BOLT  
(WITH THRU HOLES)



PART NO.	DESCRIPTION	FLANGE A	TAP B	INCLUDES GASKET
71443-A	90° MEDIUM ELBOW	SEE DETAIL 1	---	51218
71443-1A	90° MEDIUM ELBOW	SEE DETAIL 1	1 IN. NPT	
71443-2A	90° MEDIUM ELBOW	SEE DETAIL 3	---	