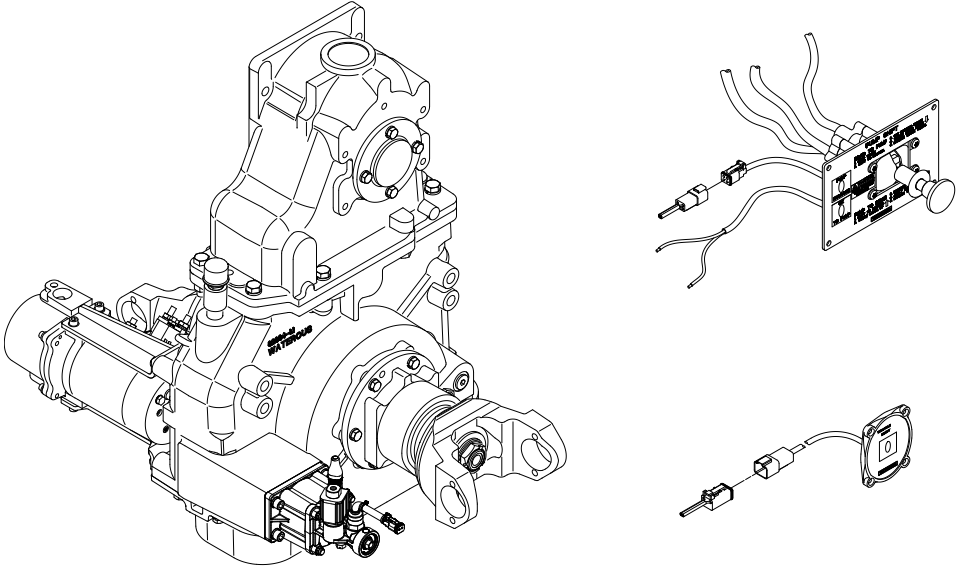
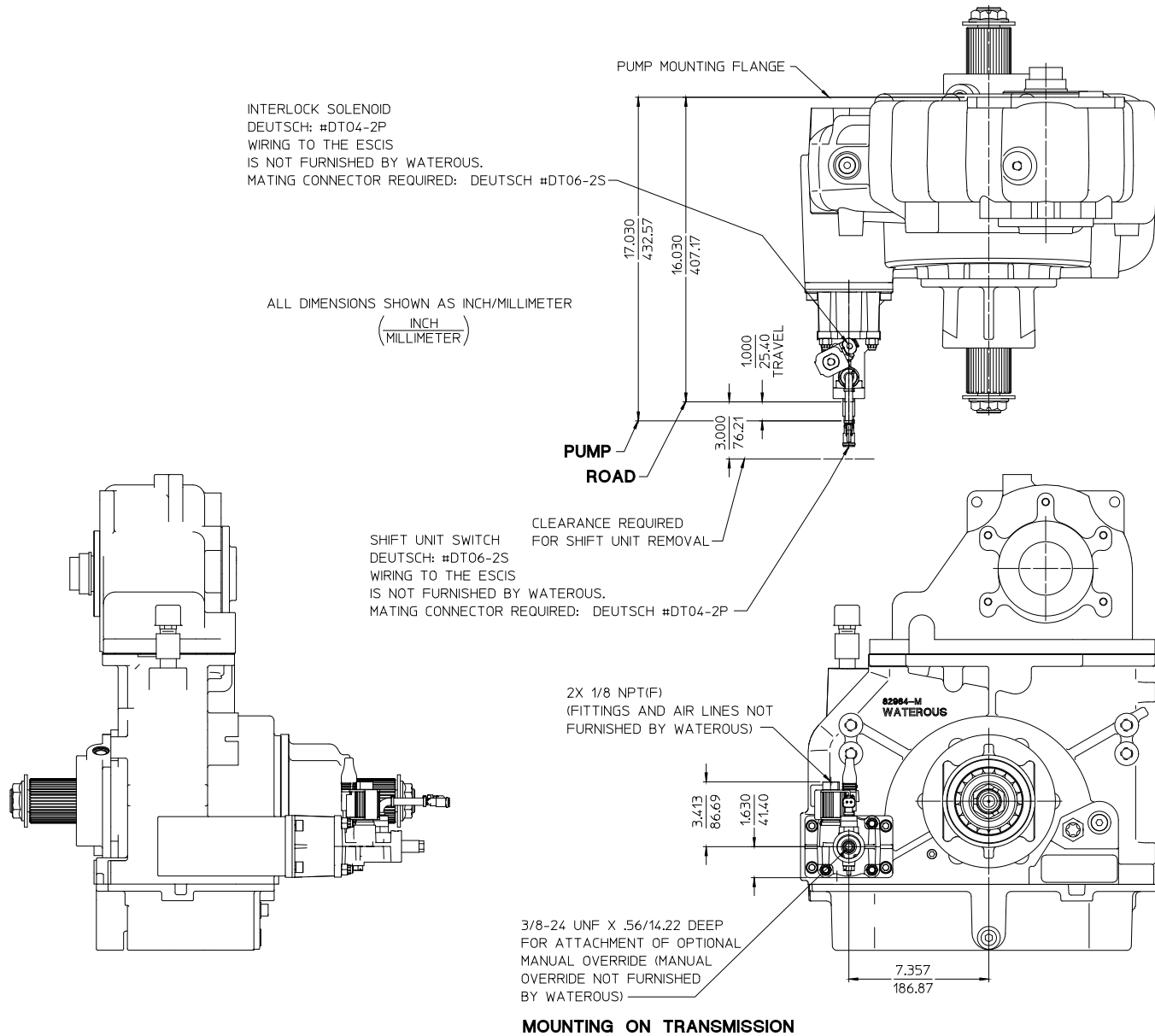


# Dimensional Drawings for Pneumatic Pump and P.T.O. Shift Assemblies

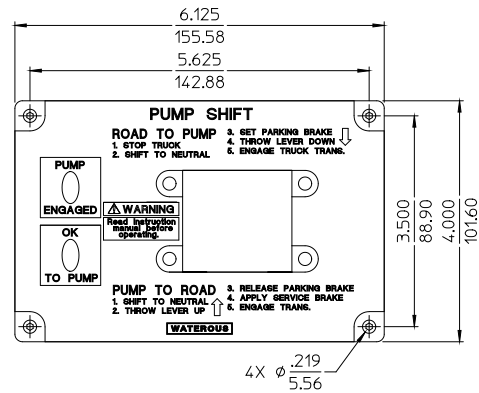
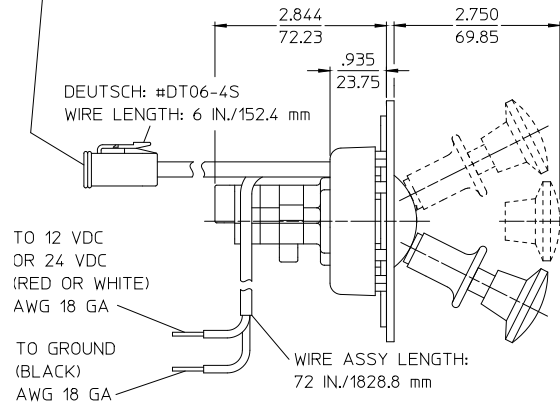
## Index:

Components		See Page	
Mounting on Transmission		2	
Panel Plates	In-Cab Panel	3	
	Operator's Panel	Dual Light	4
		Single Light	
Wiring Schematic	Single Light Operator's Panel	5	
	Dual Light Operator's Panel	6	





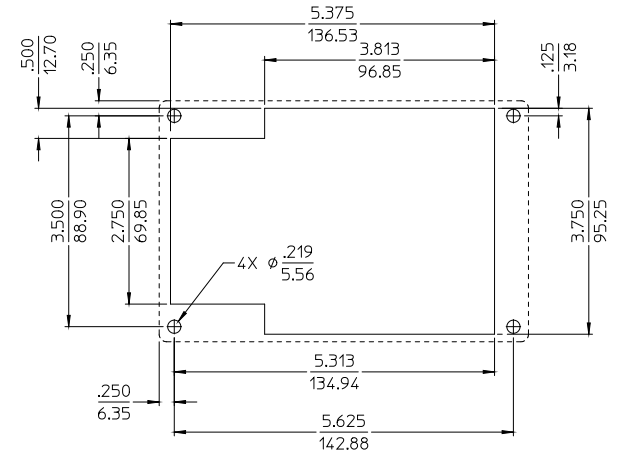
WIRING TO "PUMP ENGAGED" AND "OK TO PUMP" SWITCH(ES) ARE NOT PROVIDED BY WATEROUS. MATING CONNECTOR REQUIRED: DEUTSCH #DT04-4P EACH LED DRAWS 20mA, SIZE WIRE ACCORDINGLY.



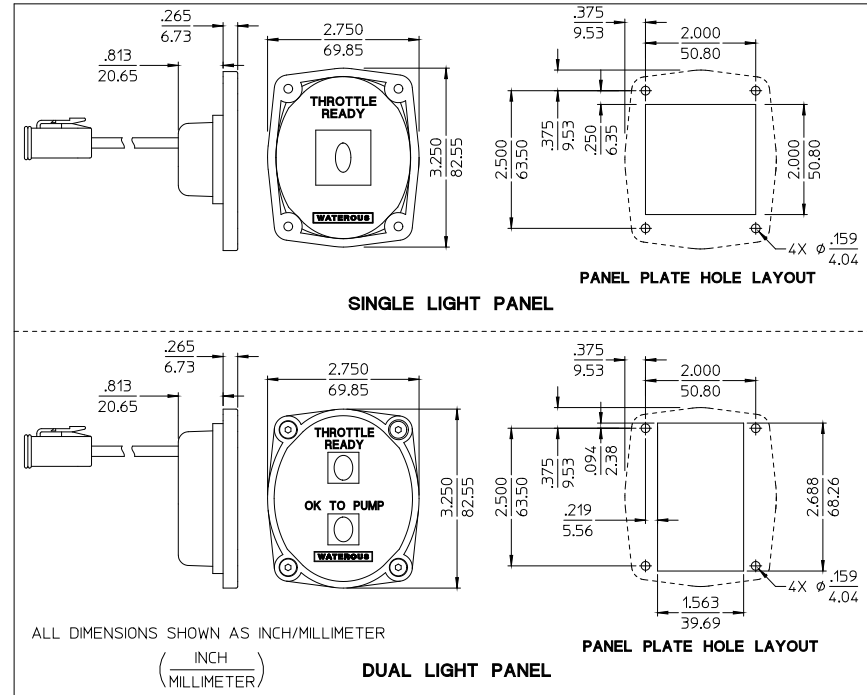
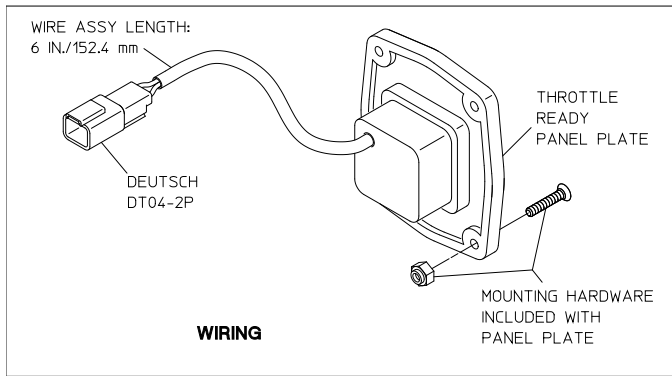
ALL DIMENSIONS SHOWN AS INCH/MILLIMETER

( INCH / MILLIMETER )

**IN-CAB PANEL PLATE**

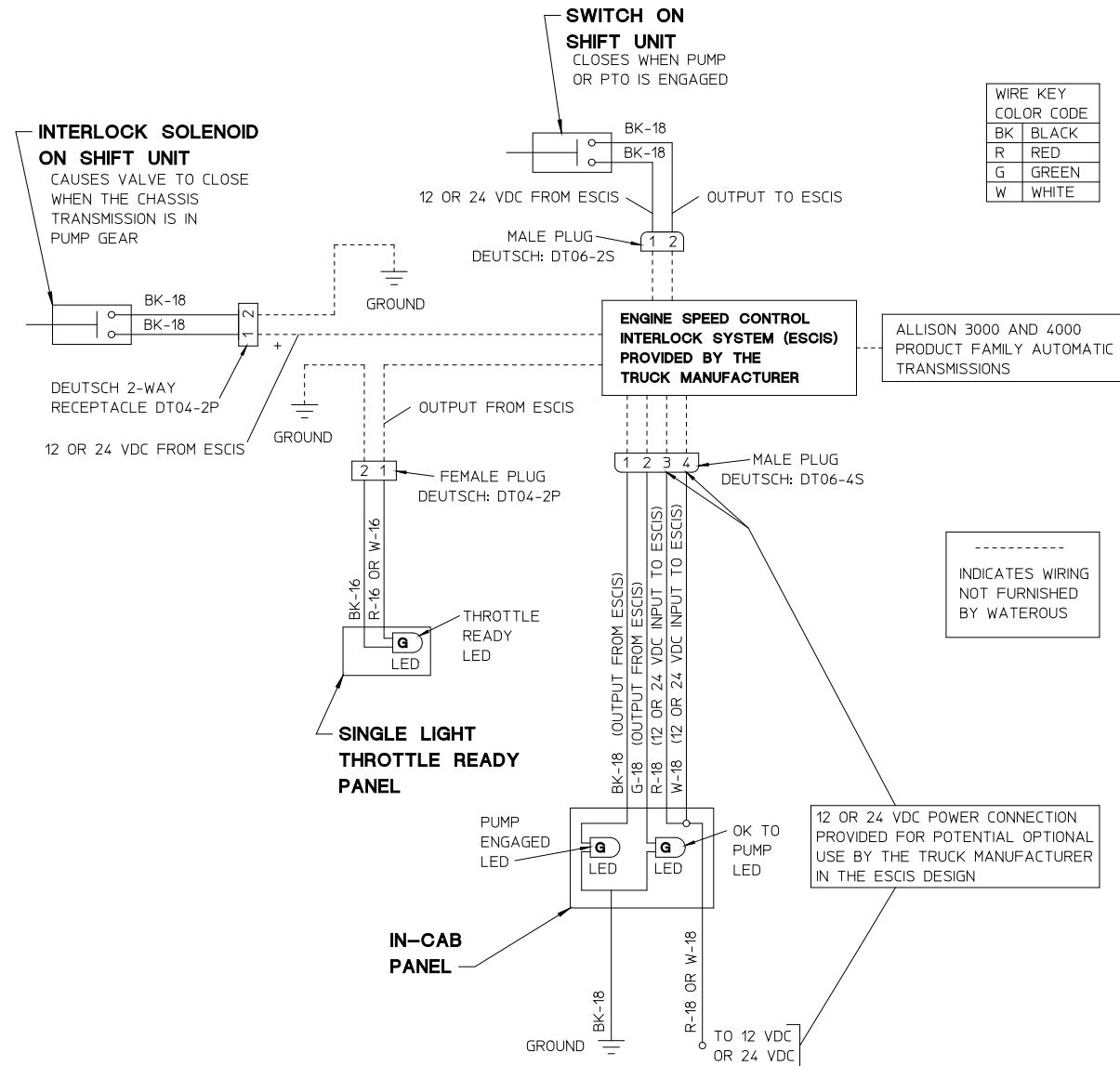


**PANEL PLATE HOLE LAYOUT**



**OPERATORS PANEL PLATE**

ALL DIMENSIONS SHOWN AS INCH/MILLIMETER  
( INCH / MILLIMETER )



**NOTE:**

1. NUMBER FOLLOWING COLOR CODE IS THE WIRE SIZE (AWG). (I.E. BK-16 IS A BLACK 16 AWG WIRE)

