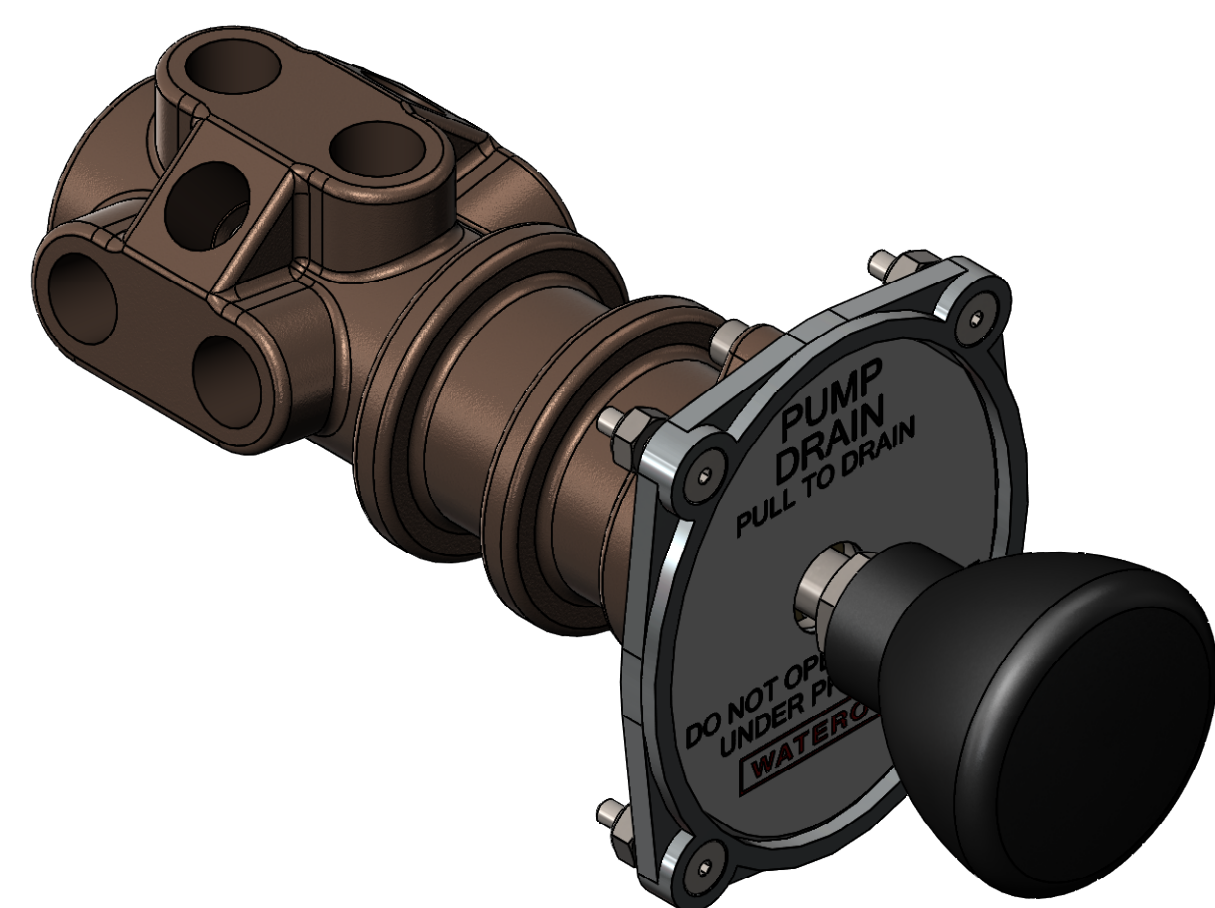
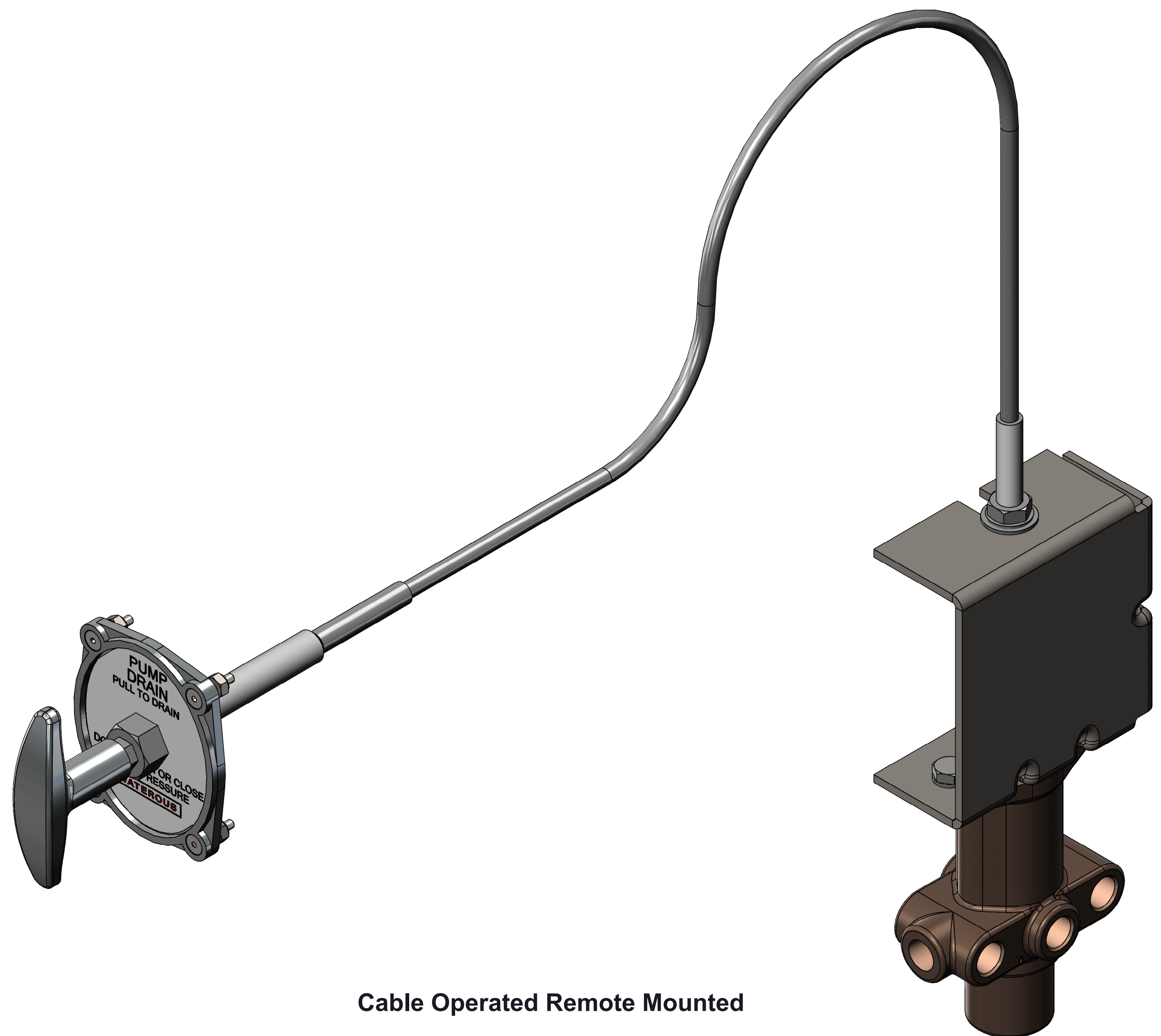


Dimensional Drawings for Drain Valves

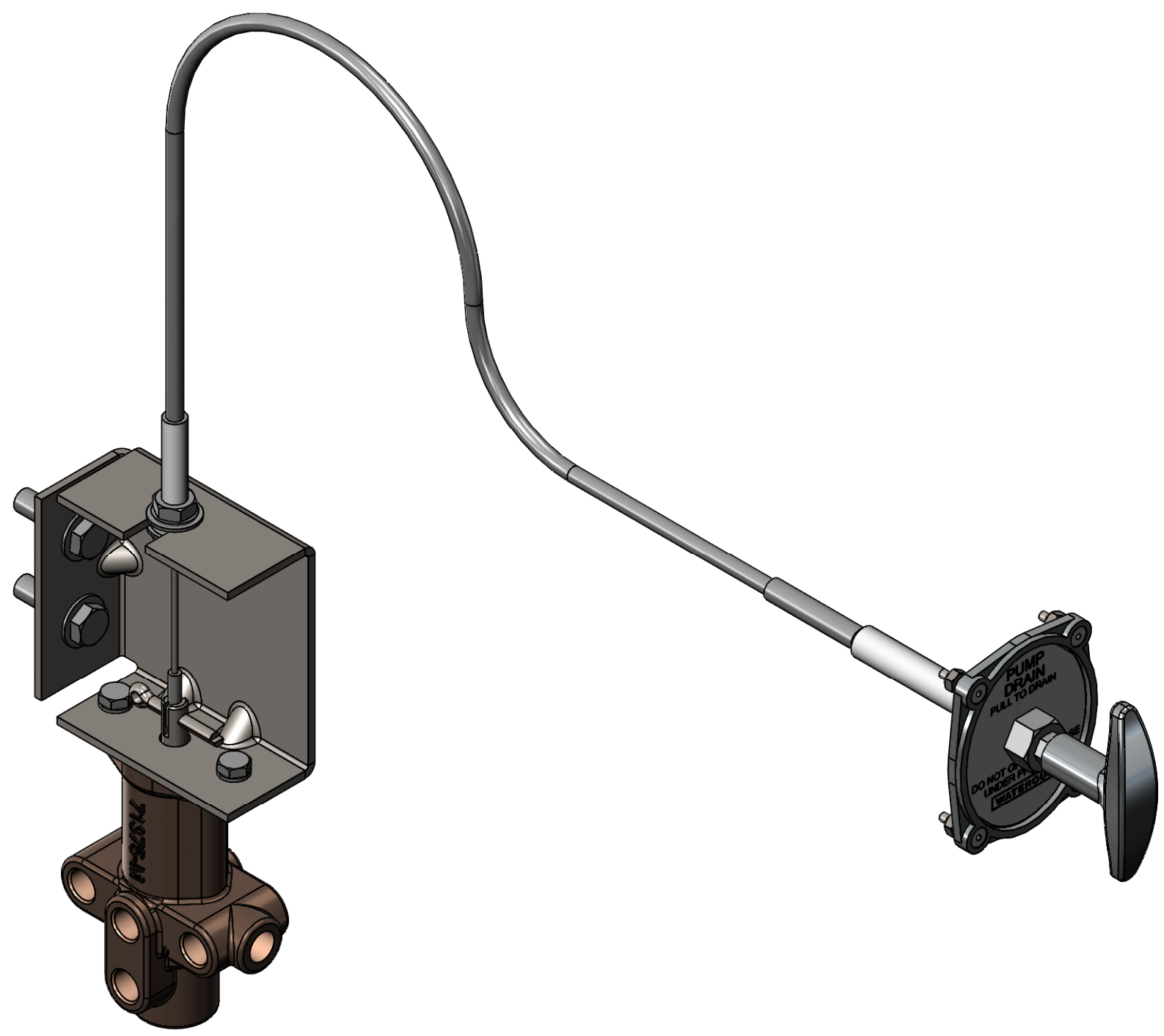
Valve Type	See Page
Cable Operated Remote Mounted	2
Panel Mounted	3



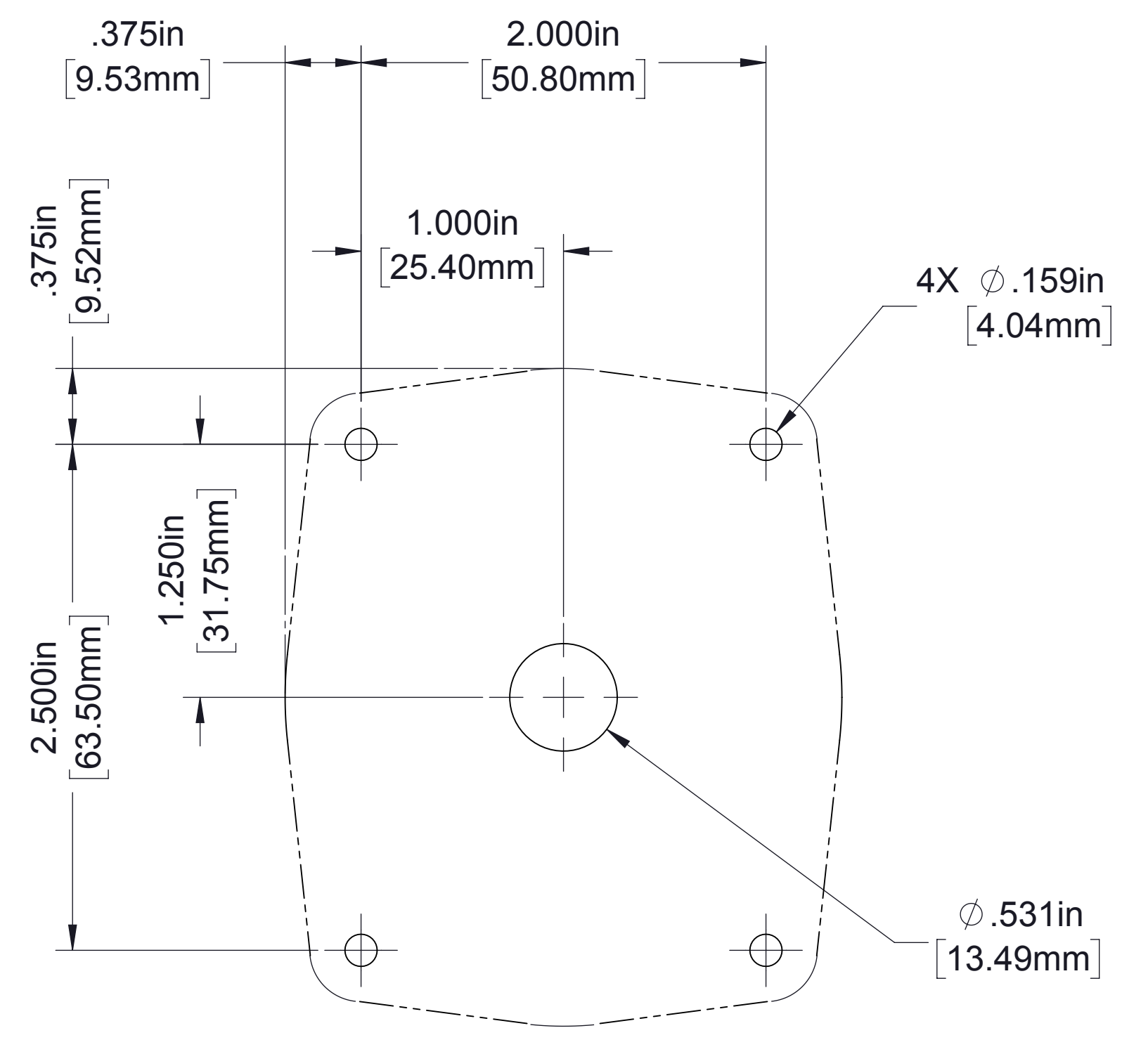
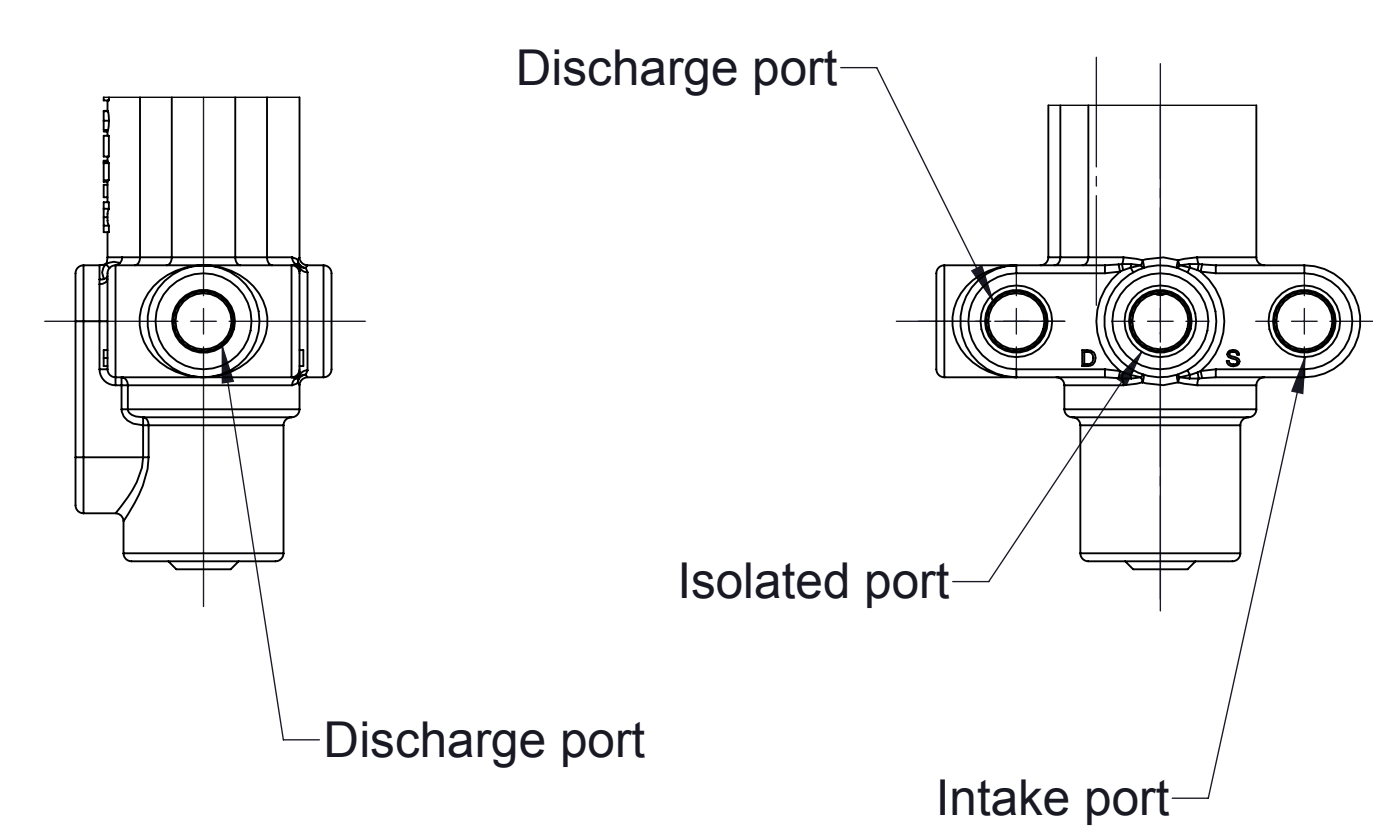
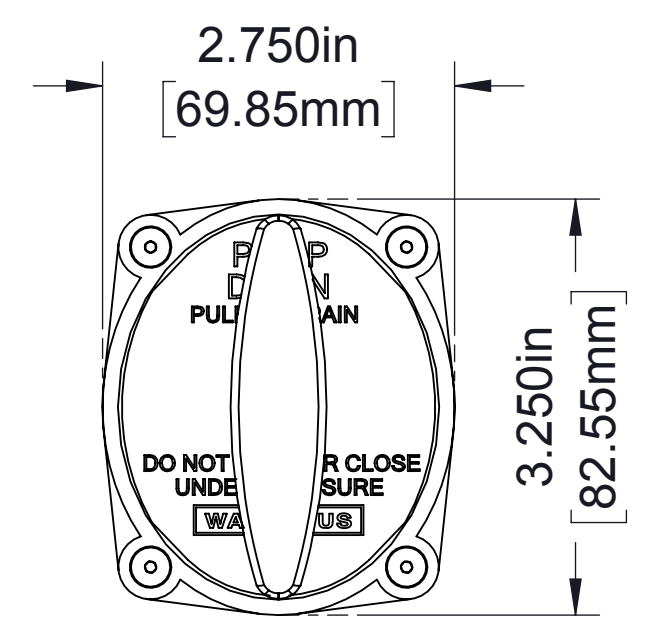
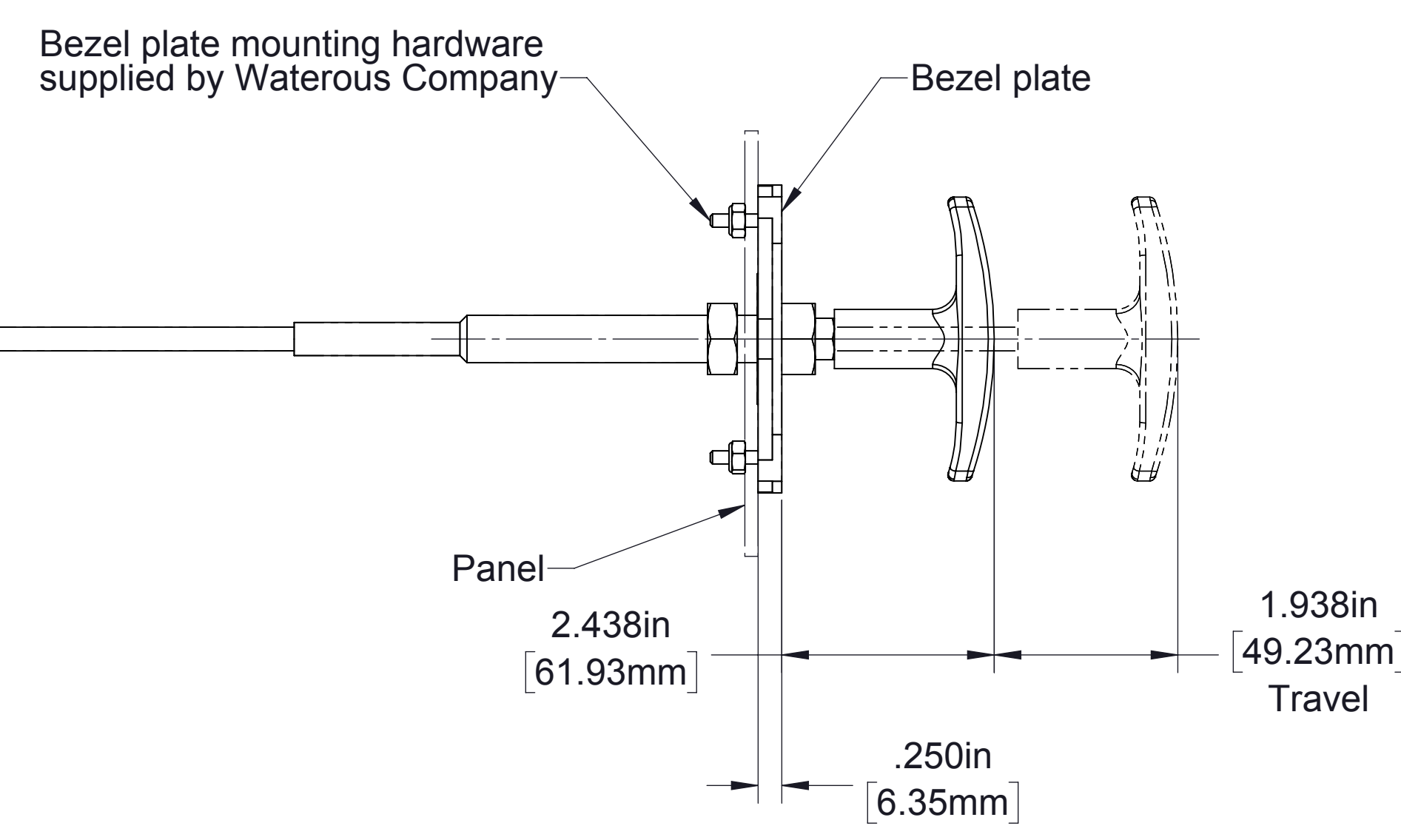
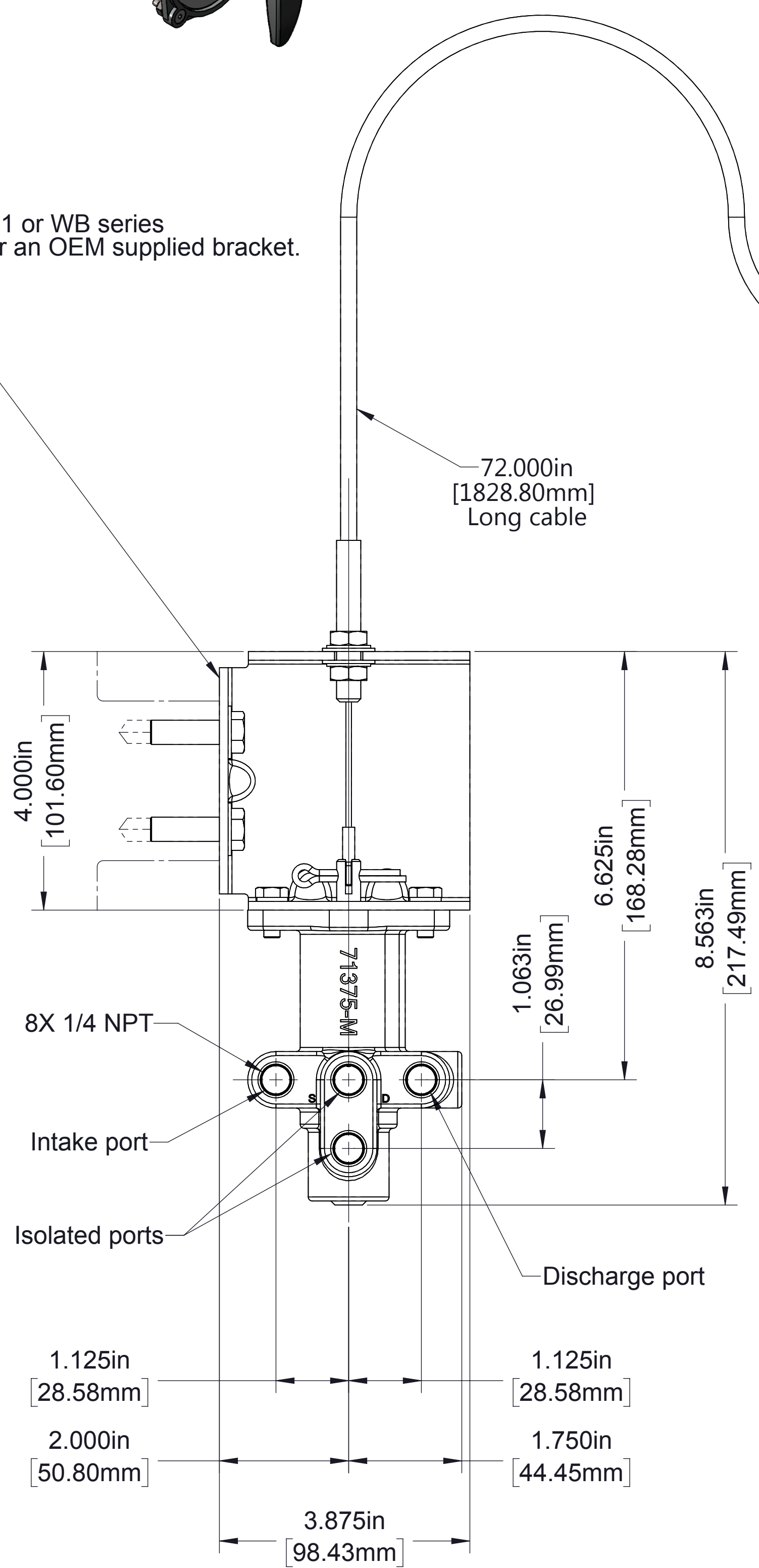
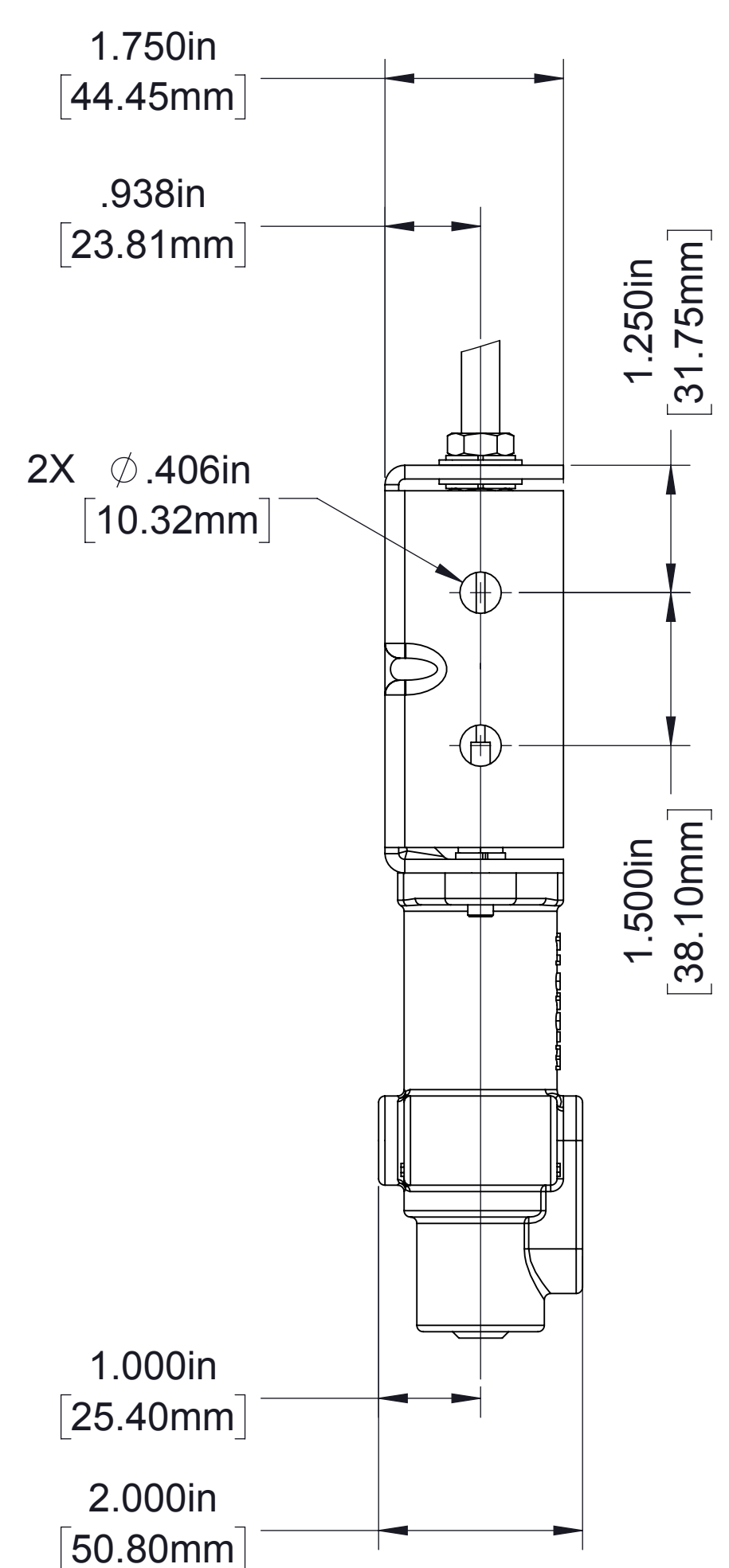
Panel Mounted



Cable Operated Remote Mounted

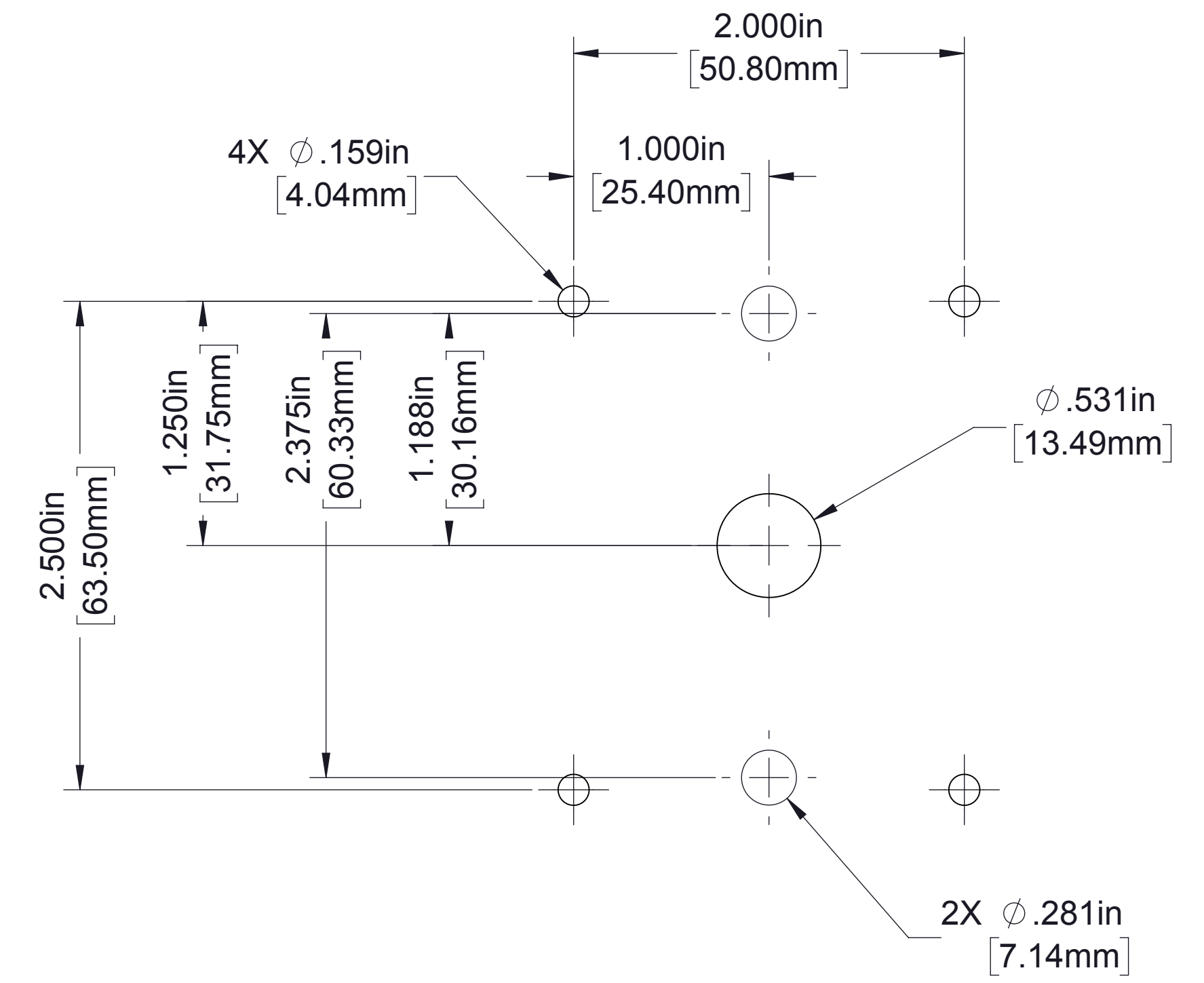
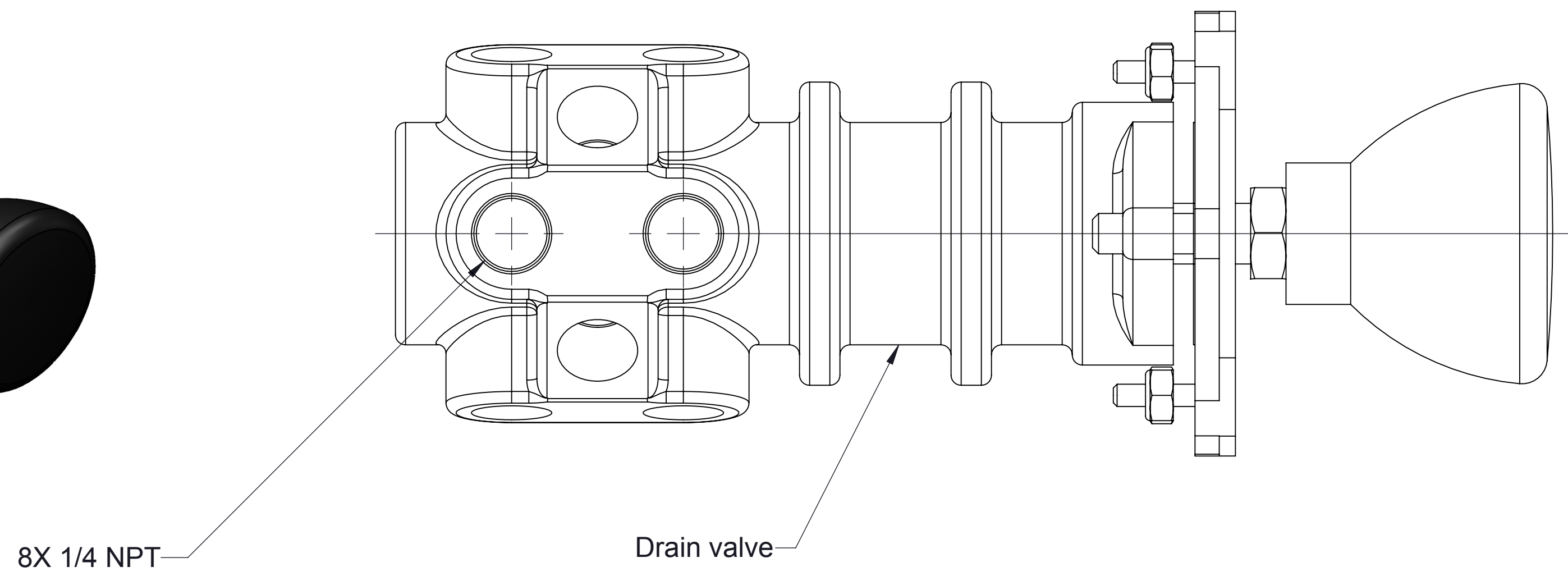
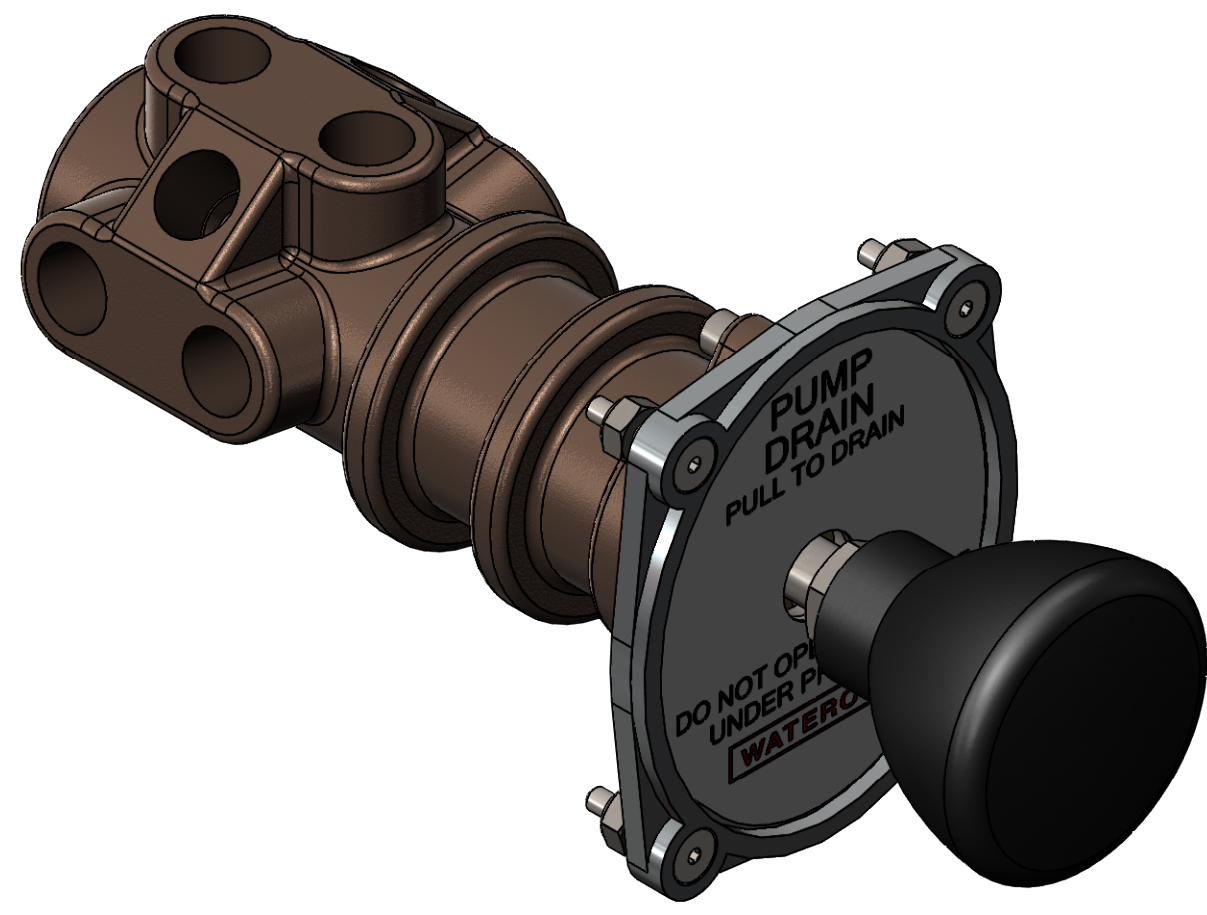


Mounting flange may be mounted to C20, C21 or WB series transmissions, TC20 or TC21 series PTO's or an OEM supplied bracket. Torque 3/8 in. screws to 36-40 ft-lb.

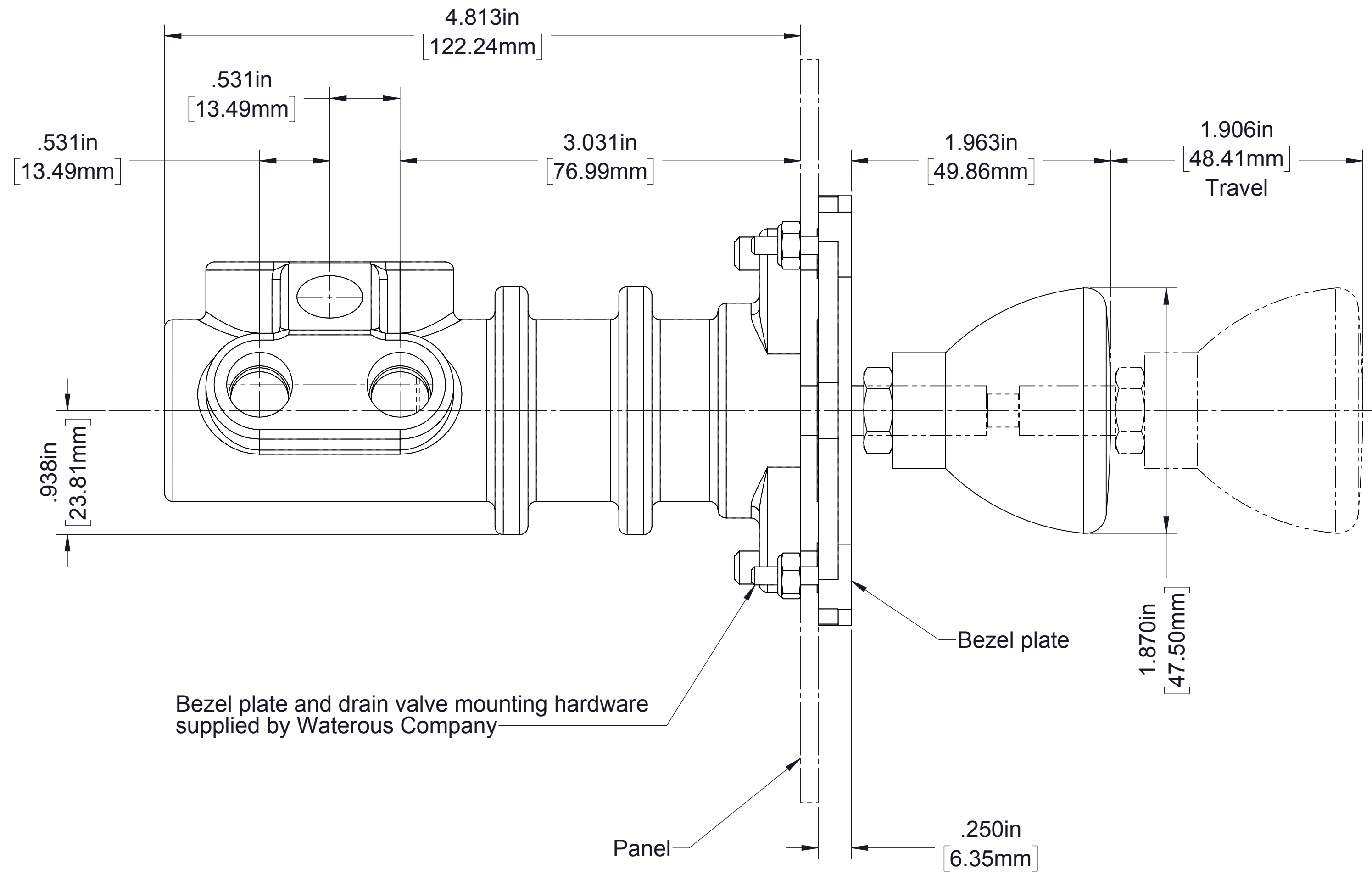
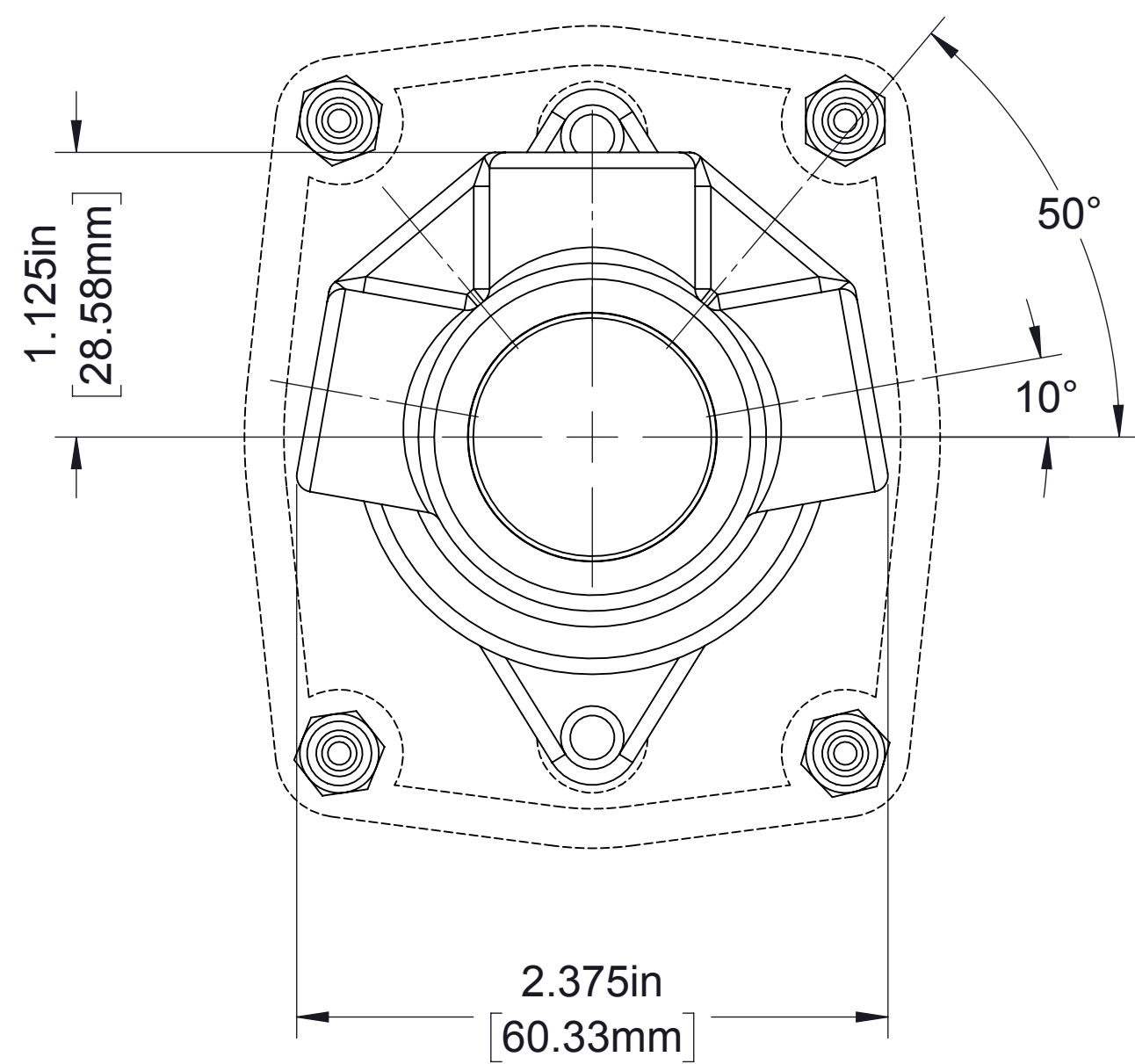


Cable Operated
 Transmission or Separate Mounting

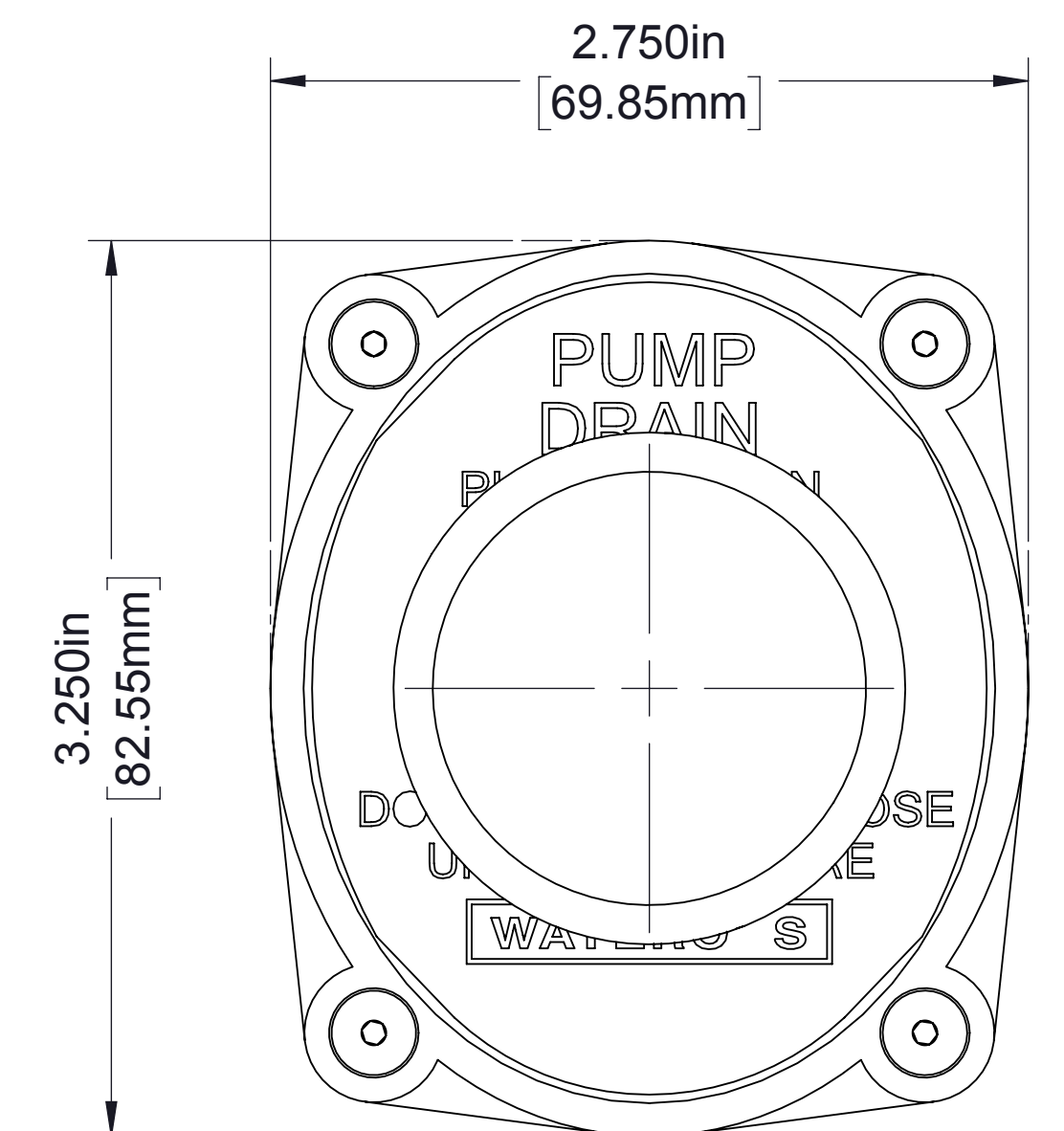
Panel Hole Layout



Panel Hole Layout



Panel Mounted



Note:
 Drain lines may be connected to (8)1/4 NPT ports in any manner.
 There are no specific intake, discharge or isolated ports.