

# Auxiliary Fittings Dimensional Drawings

## Auxiliary Fittings for Intake and Discharge Fitting Pads

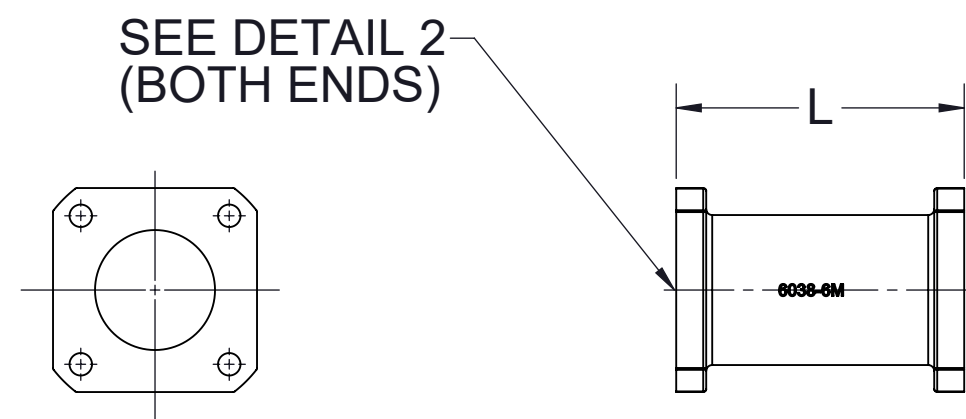
Specify Installation of these fittings on main intake and discharge fitting pads to achieve a custom piping configuration.

These fittings are divided into type groups which are referred to on the intake and discharge fitting dimensional drawings. Refer to the table column \*install aux fittings\* on those drawings and using the type group specified. Locate and choose additional fittings to be installed on those pads.

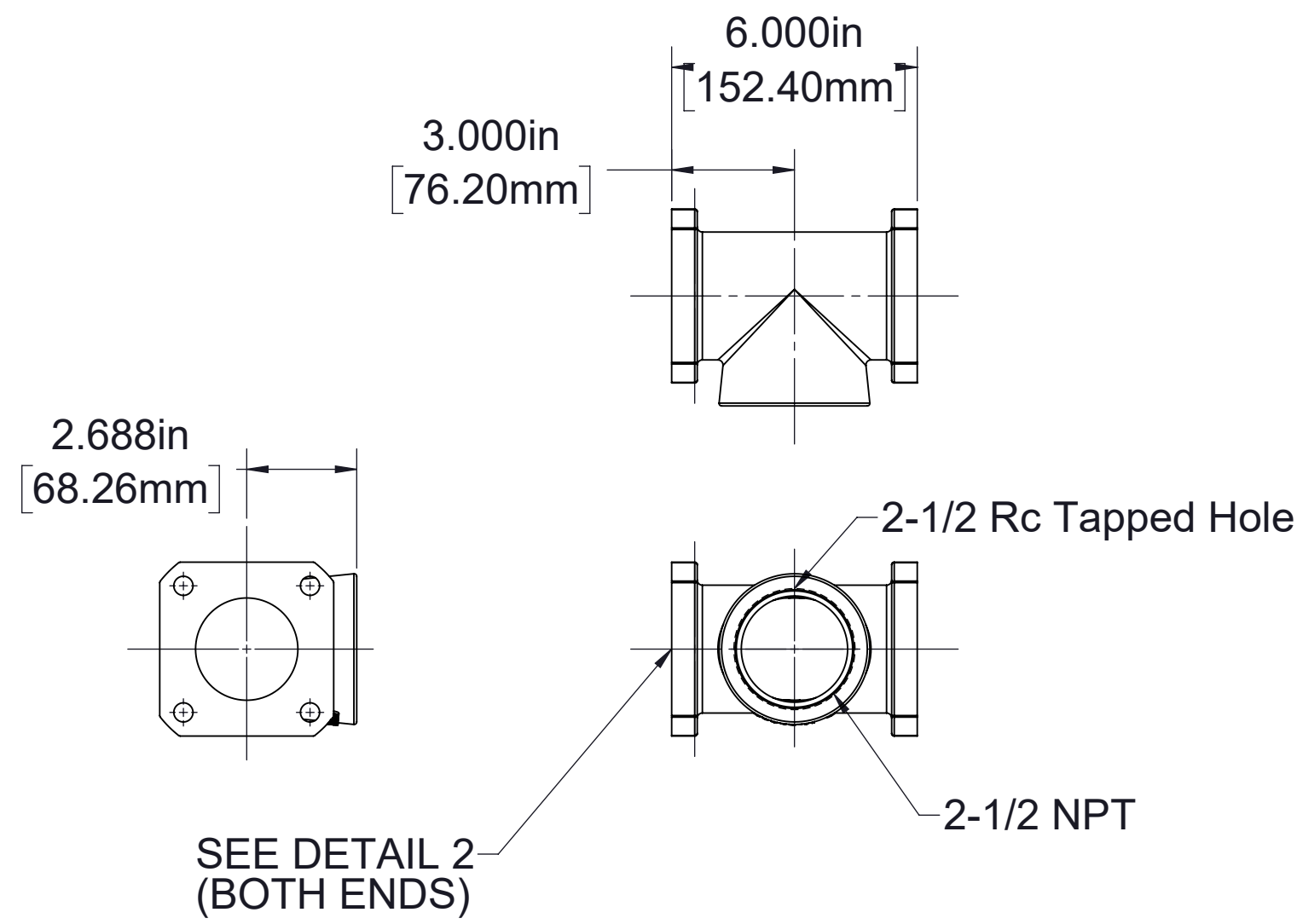
FITTING TYPE	DESCRIPTION	SEE PAGE
TYPE 1	2-1/2 in. 4-Bolt Machined Pads	2-6
TYPE 2	2-1/2 in. NPT Openings	7
TYPE 3	2 in. NPT Openings	7
TYPE 4	1-1/2 in. NPT Openings	7
TYPE 7	3-1/2 in. Discharge Valves	8-9
TYPE 8	3, 3-1/2, or 4 in. 8-Bolt Machined Pads	10-15
TYPE 9	3 in. NPT Openings	15
TYPE 11	5 in. Flanged Ends on Intake Fittings	16
TYPE 12	6 in. Flanged Ends on Intake Fittings*	17
TYPE 13	6 in. Threaded Ends on Intake Fittings	18
TYPE 14	3 in. Relief Valve Pad	19
TYPE 15	4 in. Relief Valve Pad	20
TYPE 17	6 in. Flanged Ends on 6-3/4 in. Long Intake Fittings	21
TYPE 19	Dump Flange on Intake Nipples	22
TYPE 20	Relief Valve Spacers	22
TYPE 23	5 in. Threaded Ends on Intake Fittings	23
TYPE 24	4 in. ANSI Flanges	24-25
TYPE 25	3-1/2 in. Front Discharge	26-27
TYPE 30	82952 Oversized Pant Leg Intake Fittings, 8 in. Flange*	28
TYPE 36	2-1/2 in. Uni-Body (Akron/Elkhart) 4-Bolt Machined Pads	29
TYPE 70	Conductivity Probe Tap	30
TYPE 71	3 in. Uni-Body (Akron/Elkhart) 4-Bolt Machined Pads	30
TYPE 75	2-1/2 in. AWG Valves	31
*FOR JAMESBURY BUTTERFLY VALVES-SEE DRAWING DPL83723		

**TYPE 1 - FITTINGS FOR 2-1/2 IN. 4-BOLT MACHINED PADS**

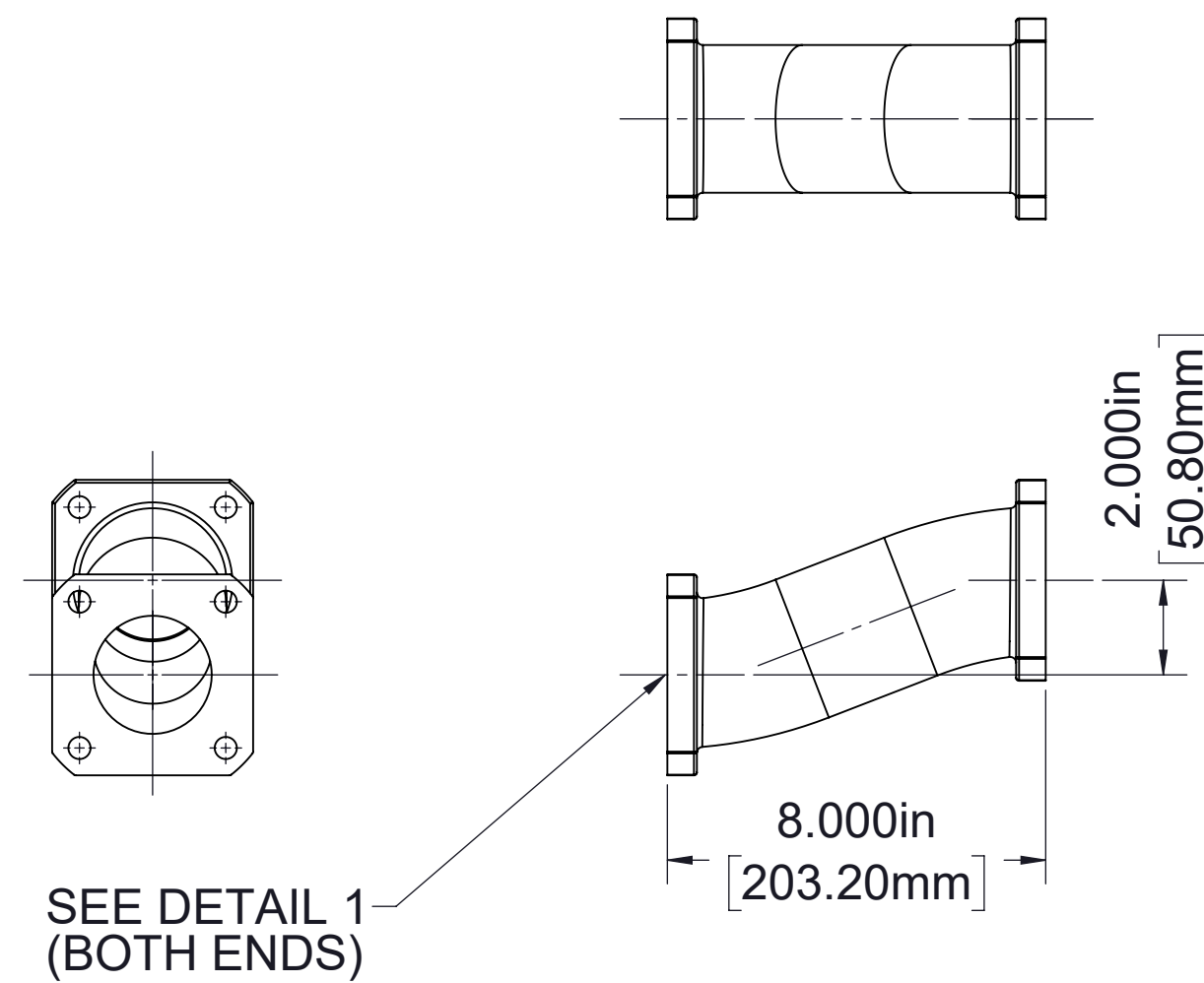
**EXTENSIONS**



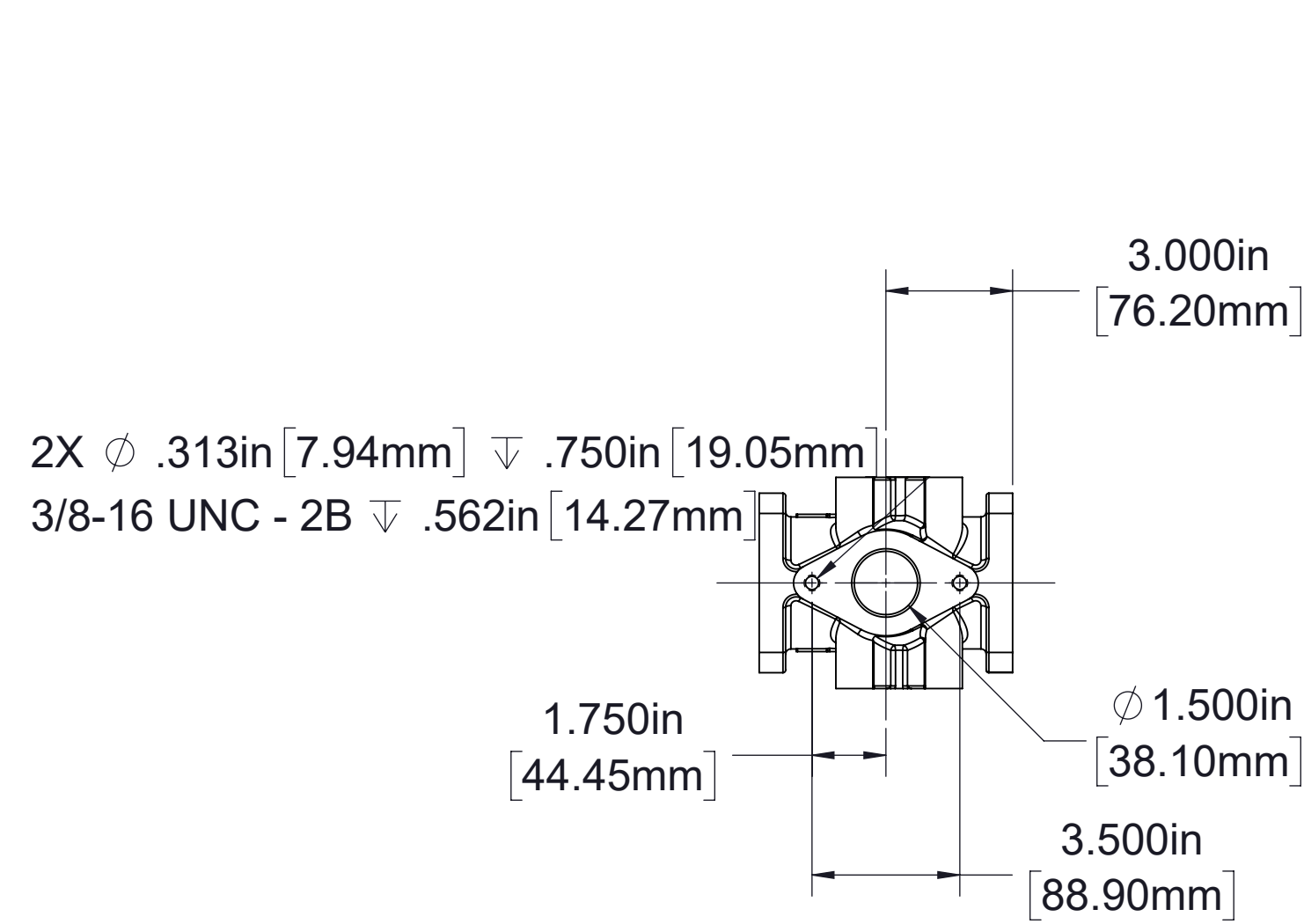
PART NO.	L	INCLUDES GASKET
6038-3A	3.00/76.20	51218
6038-4A	4.00/101.60	
6038-6A	6.00/152.40	
6038-6A	8.00/203.20	



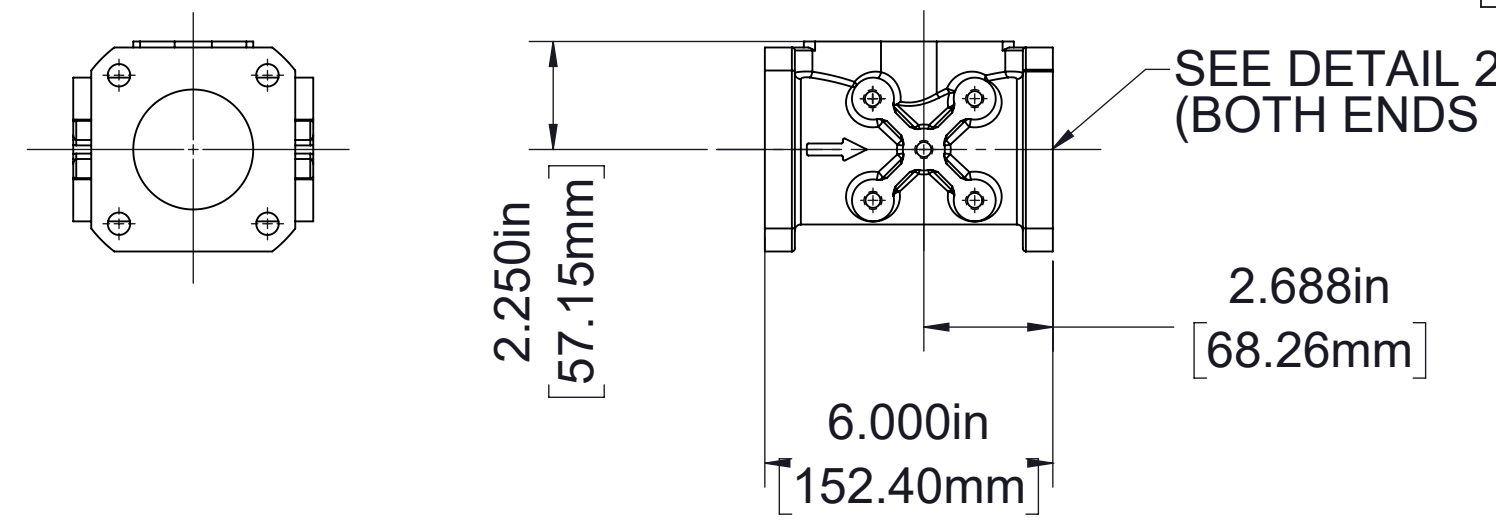
PART NO.	INCLUDES GASKET
60346-A	51218



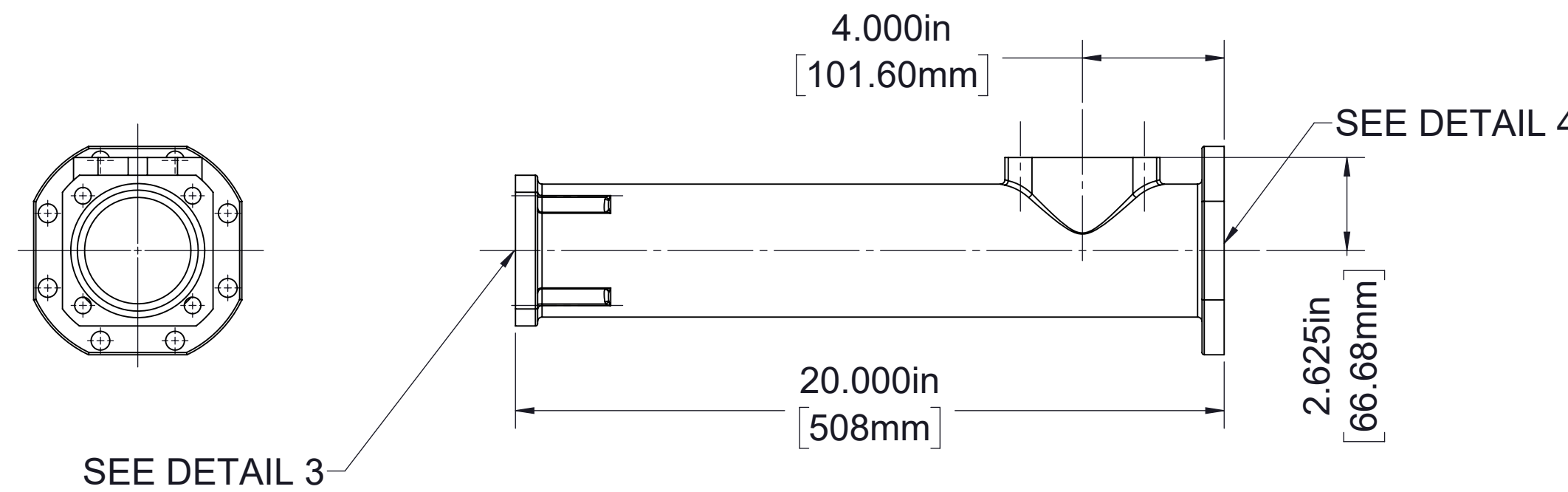
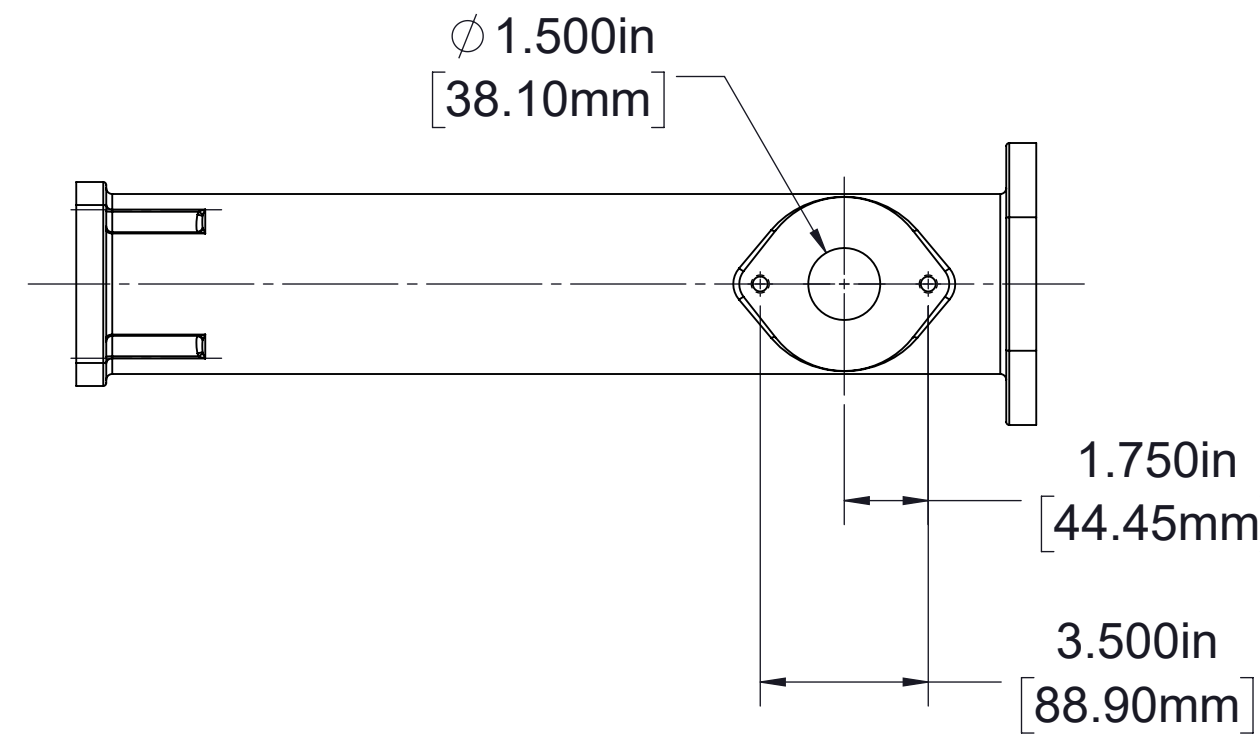
PART NO.	INCLUDES GASKET
71037-A	51218



PART NO.	DESCRIPTION	INCLUDES
72985-A	FLOW SENSOR ADAPTER (CLASS 1)	W3732-4 O-RING AND MOUNTING HARDWARE

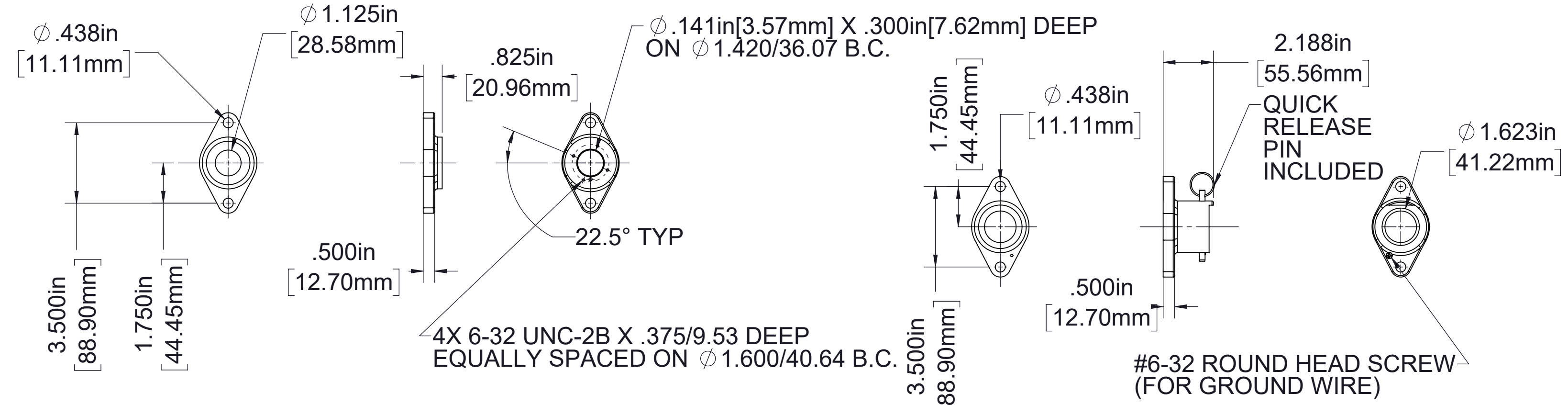


PART NO.	DESCRIPTION	INCLUDES GASKET
71916-A	EXTENSION WITH FLOWMETER PAD	51218

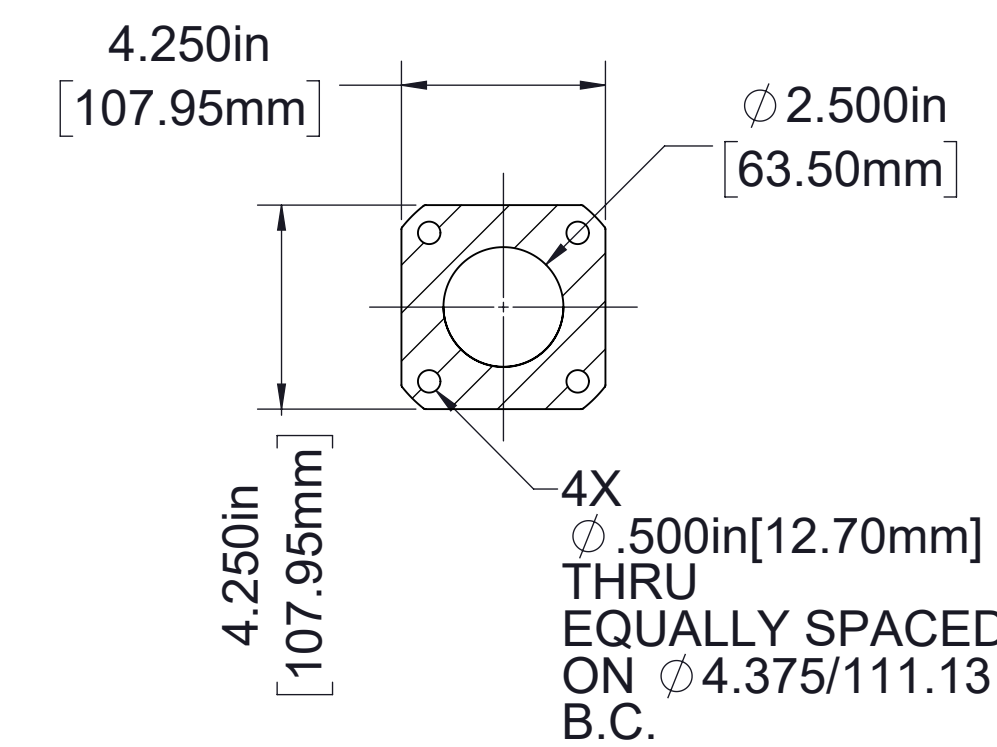


PART NO.	DESCRIPTION	INCLUDES O-RING
81799-A	EXTENSION WITH FLOWMETER PAD	W3756-4

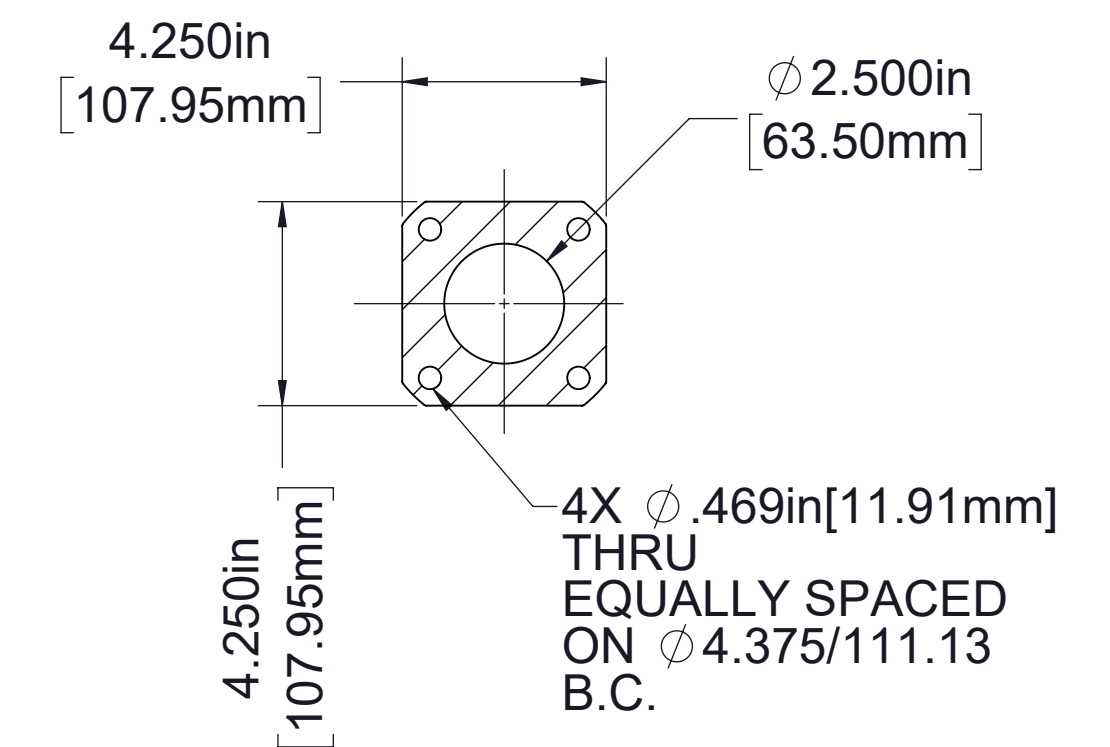
**ADAPTERS FOR FLOWMETER PAD ON FITTINGS 71916-A AND 81799-A**



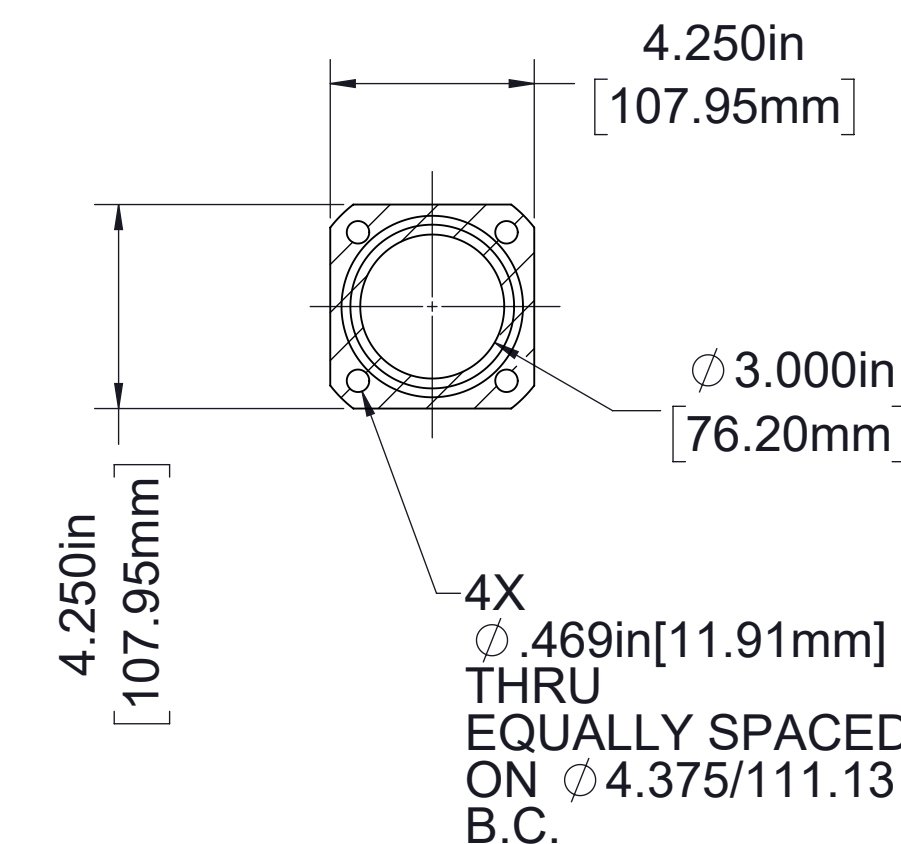
PART NO.	DESCRIPTION	INCLUDES
72571-A	FLOW SENSOR ADAPTER (FOAMPRO FLOWMETER)	W3732-4 O-RING AND MOUNTING HARDWARE



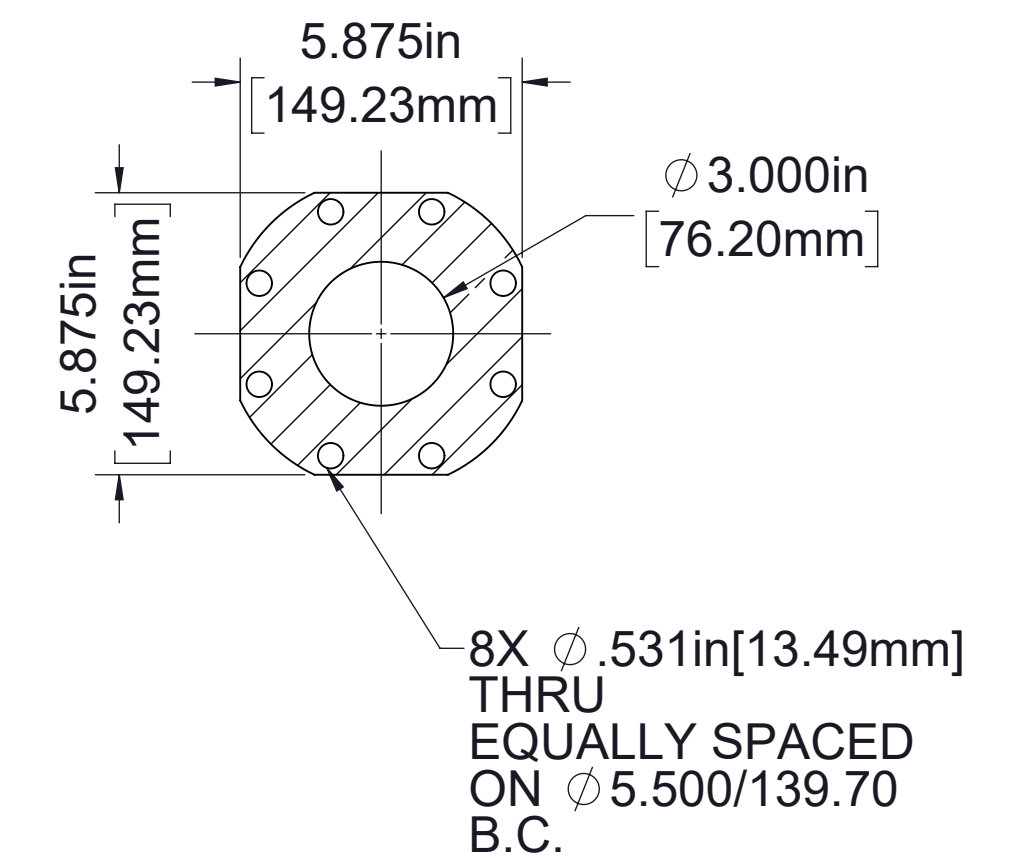
USE GASKET 51218  
DETAIL 1  
2-1/2 IN. FLANGE, (4) BOLT (WITH THRU HOLES)



USE GASKET 51218  
DETAIL 2  
2-1/2 IN. FLANGE, (4) BOLT (WITH THRU HOLES)



USE O-RING W-3756-4  
DETAIL 3  
2-1/2 IN. FLANGE, (4) BOLT (WITH THRU HOLES)



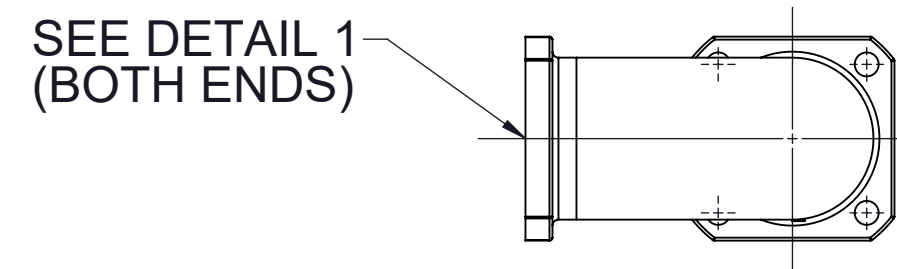
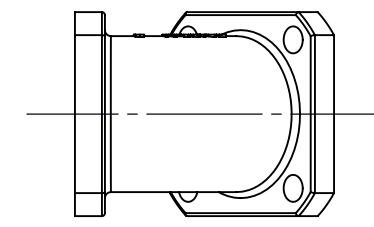
USE GASKET 51195  
DETAIL 4  
3-1/2 IN. FLANGE, (8) BOLT (WITH THRU HOLES)

- NOTES:
1. ALL FITTINGS ARE AVAILABLE IN IRON OR BRONZE UNLESS OTHERWISE SPECIFIED, ADD "-BZ" SUFFIX TO PART NUMBER FOR BRONZE FITTINGS.
  2. SPECIFY WHERE EACH FITTING IS TO BE MOUNTED. ALL FITTINGS INCLUDE GASKET AND MOUNTING HARDWARE.
  3. ALL DIMENSIONS SHOWN AS INCH/MILLIMETER.

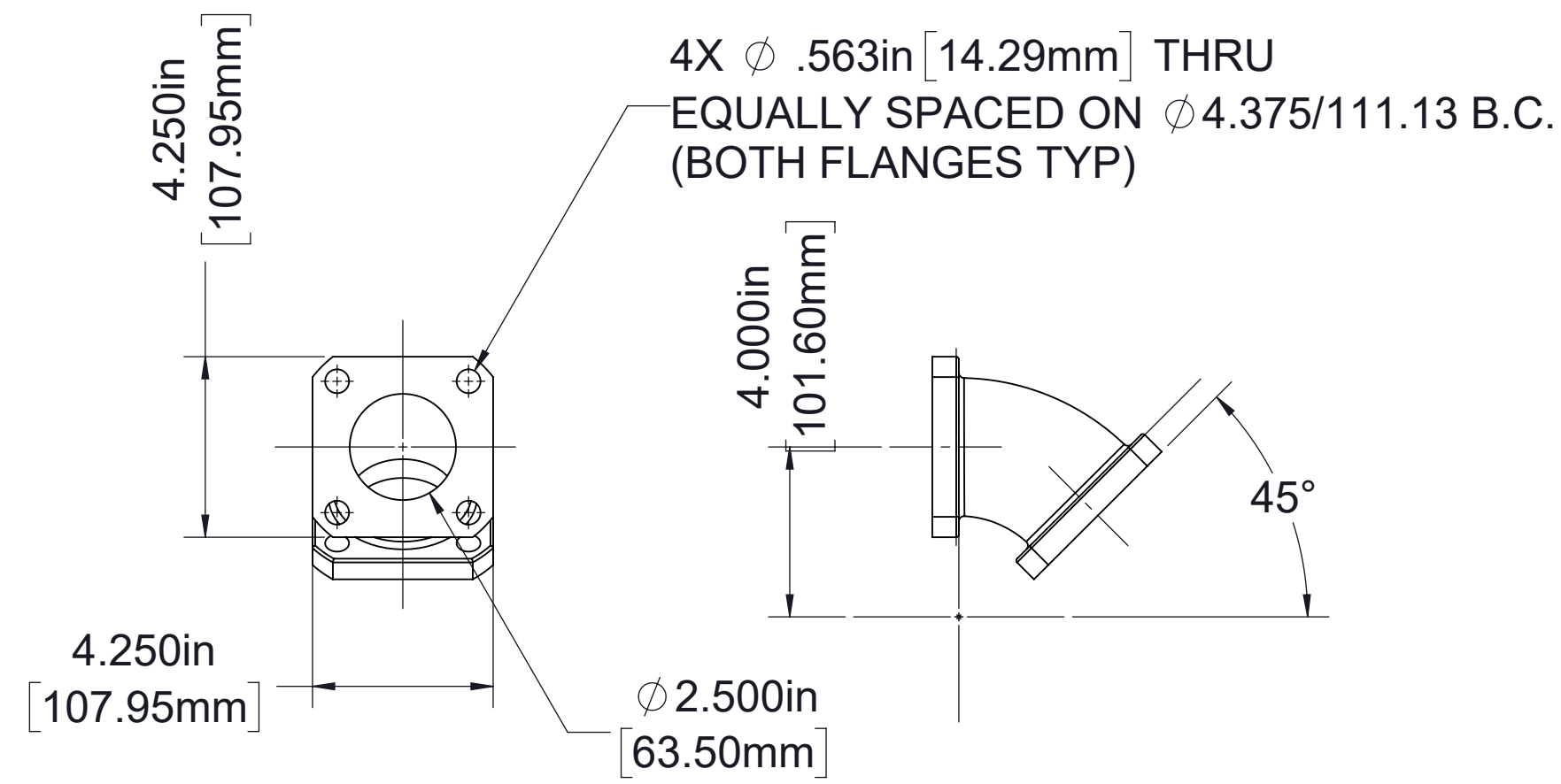


TYPE 1 - FITTINGS FOR 2-1/2 IN. 4-BOLT MACHINED PADS

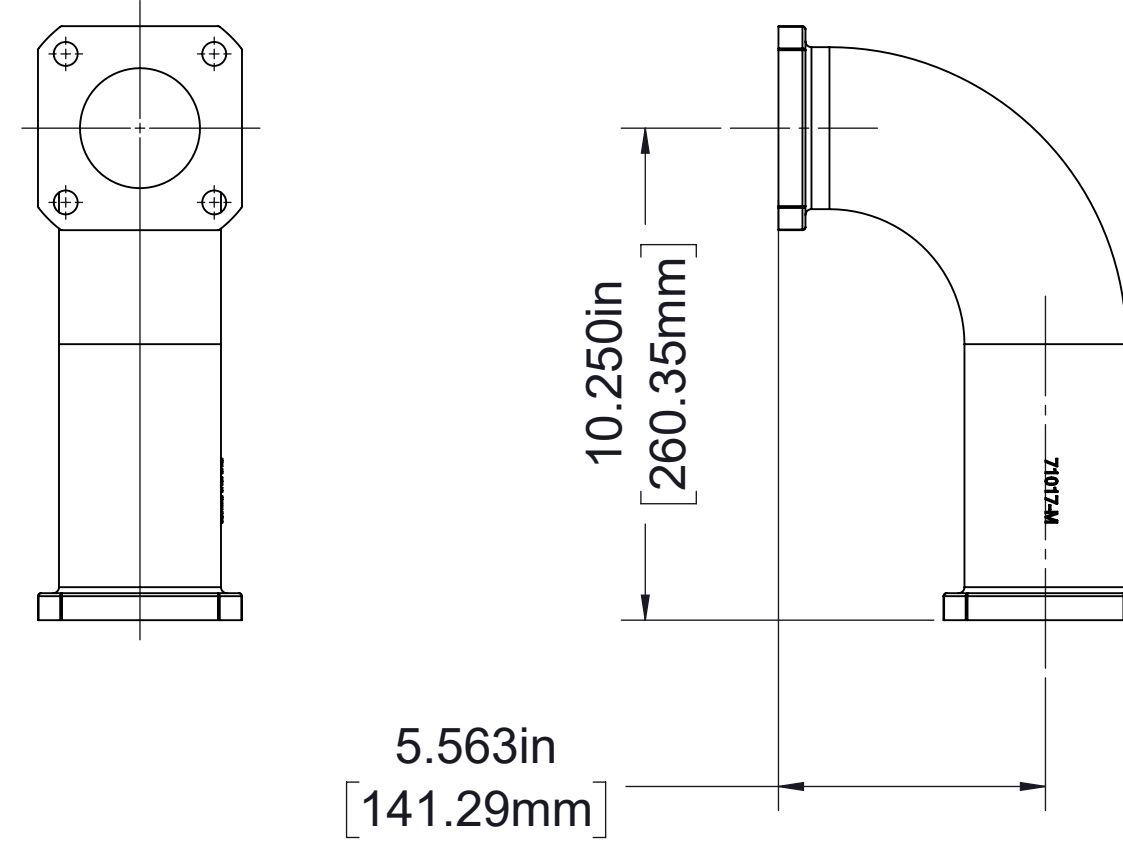
ELBOWS



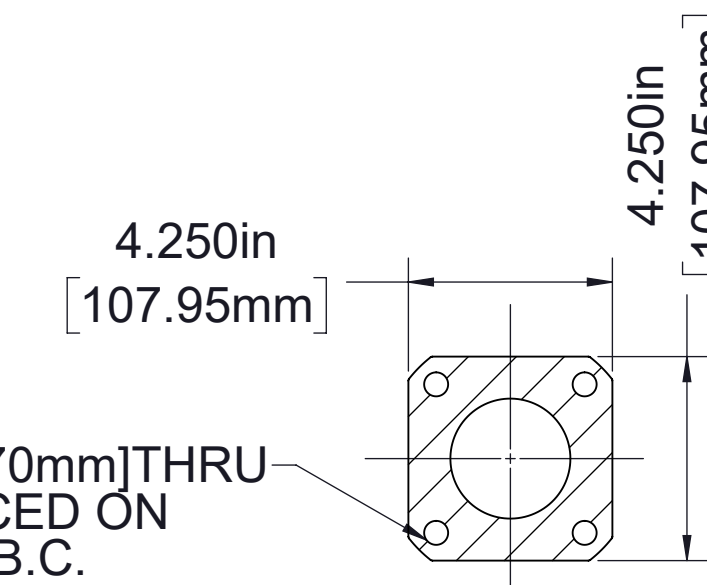
SEE DETAIL 1 (BOTH ENDS)



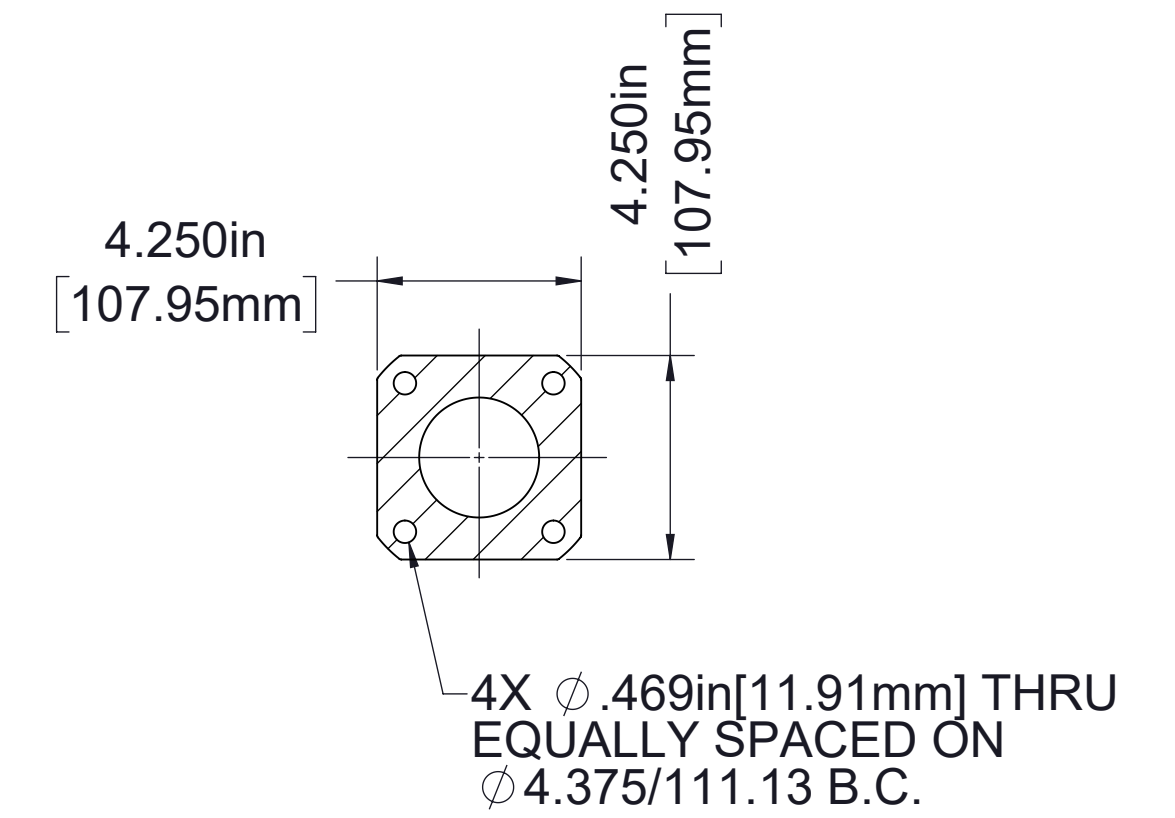
PART NO.	DESCRIPTION	INCLUDES GASKET
70436-A	45° ELBOW	51218



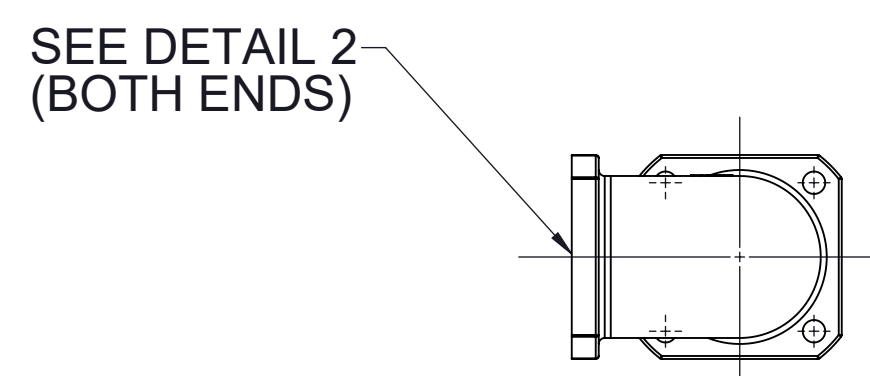
PART NO.	DESCRIPTION	INCLUDES GASKET
71017-A	90° LONG SWEEP	51218



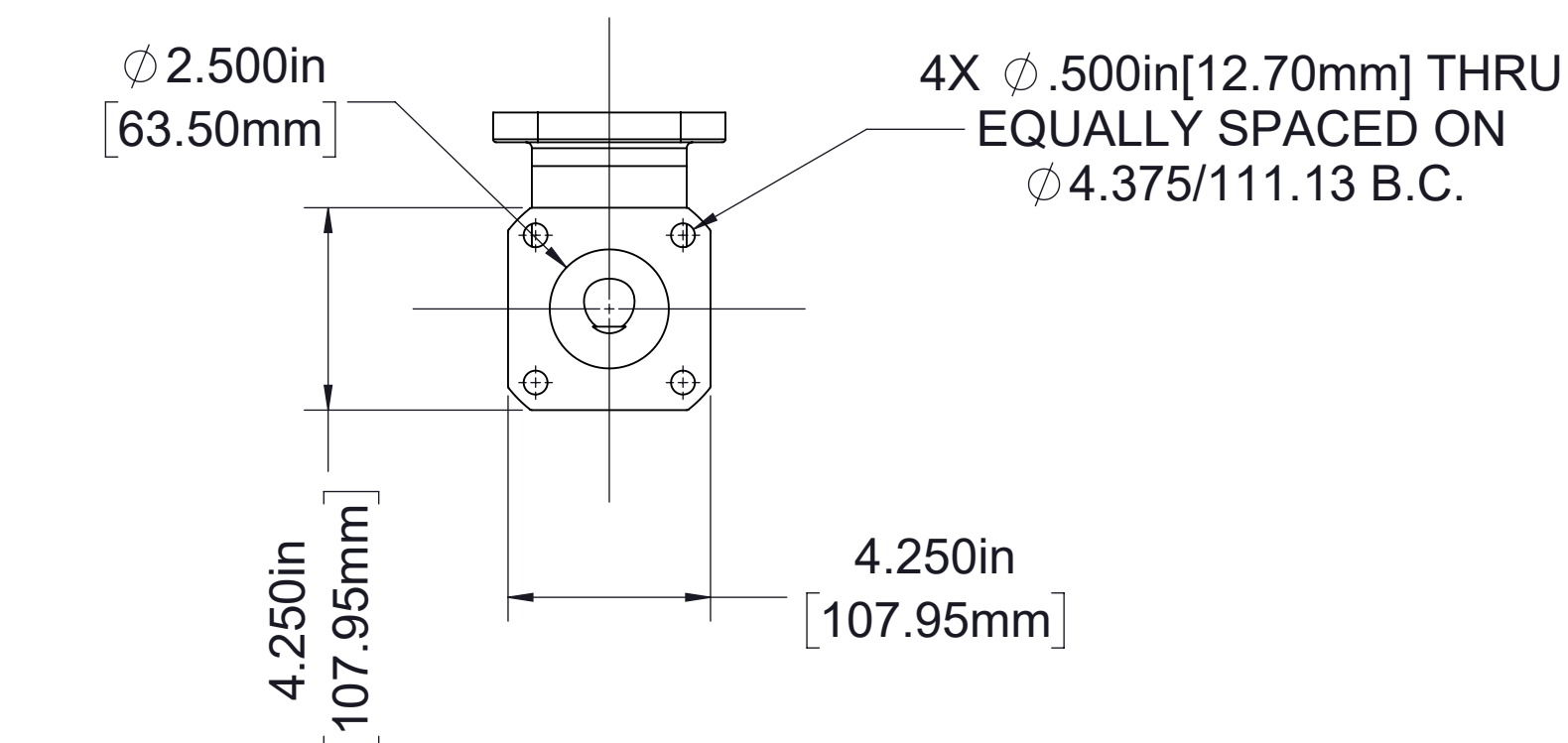
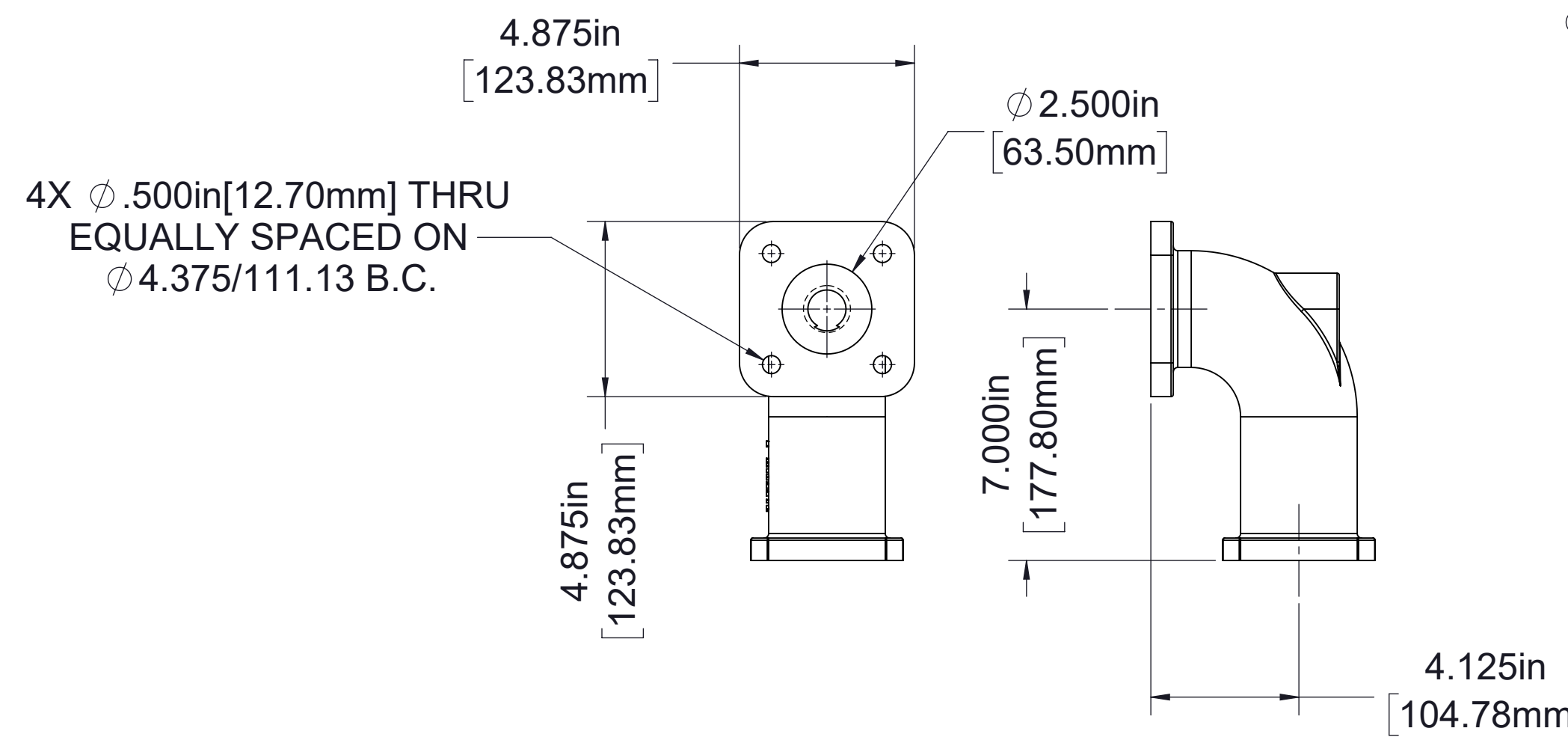
USE GASKET 51218  
DETAIL 1  
2-1/2 IN. FLANGE, (4) BOLT (WITH THRU HOLES)



USE GASKET 51218  
DETAIL 2  
2-1/2 IN. FLANGE, (4) BOLT (WITH THRU HOLES)



SEE DETAIL 2 (BOTH ENDS)

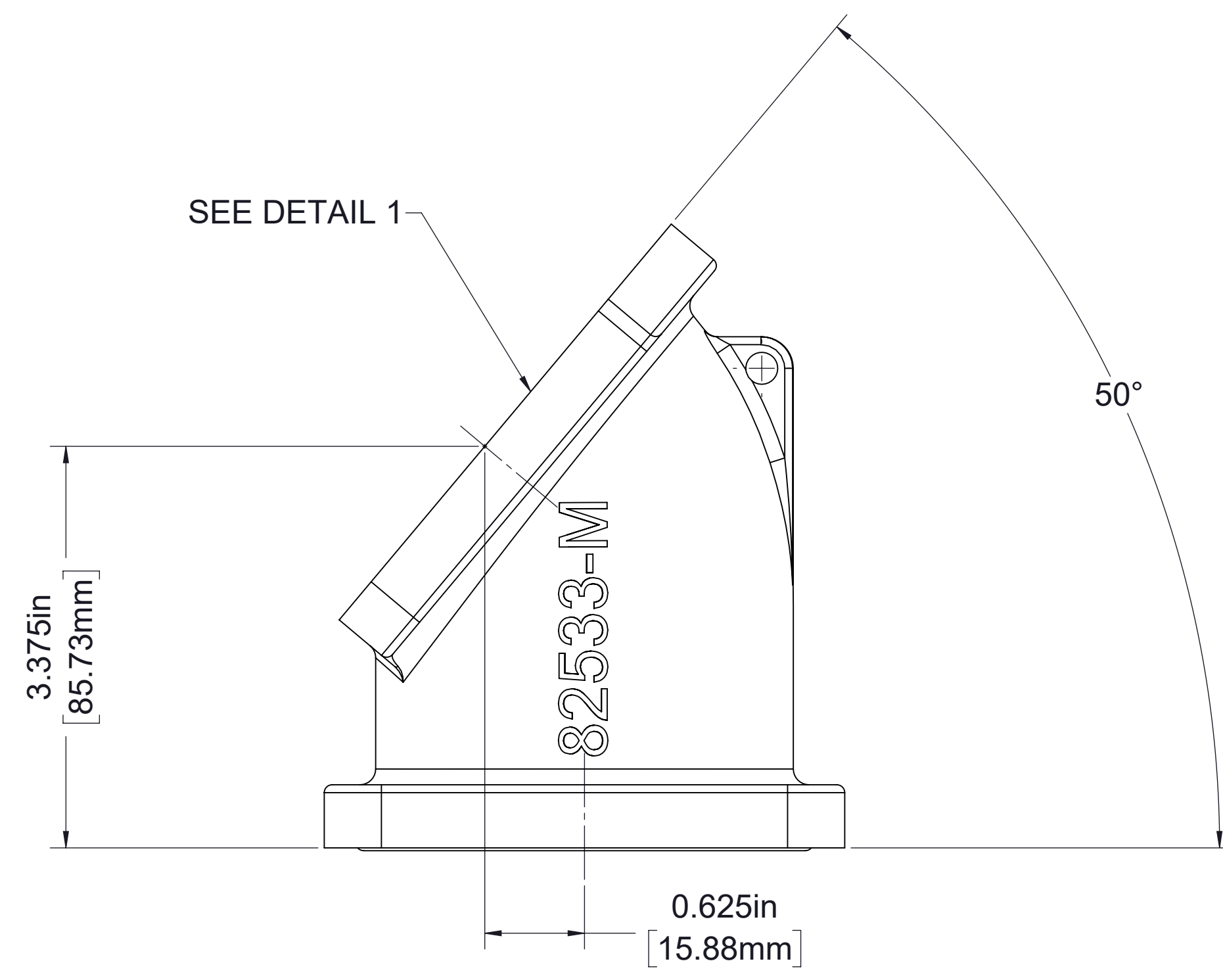
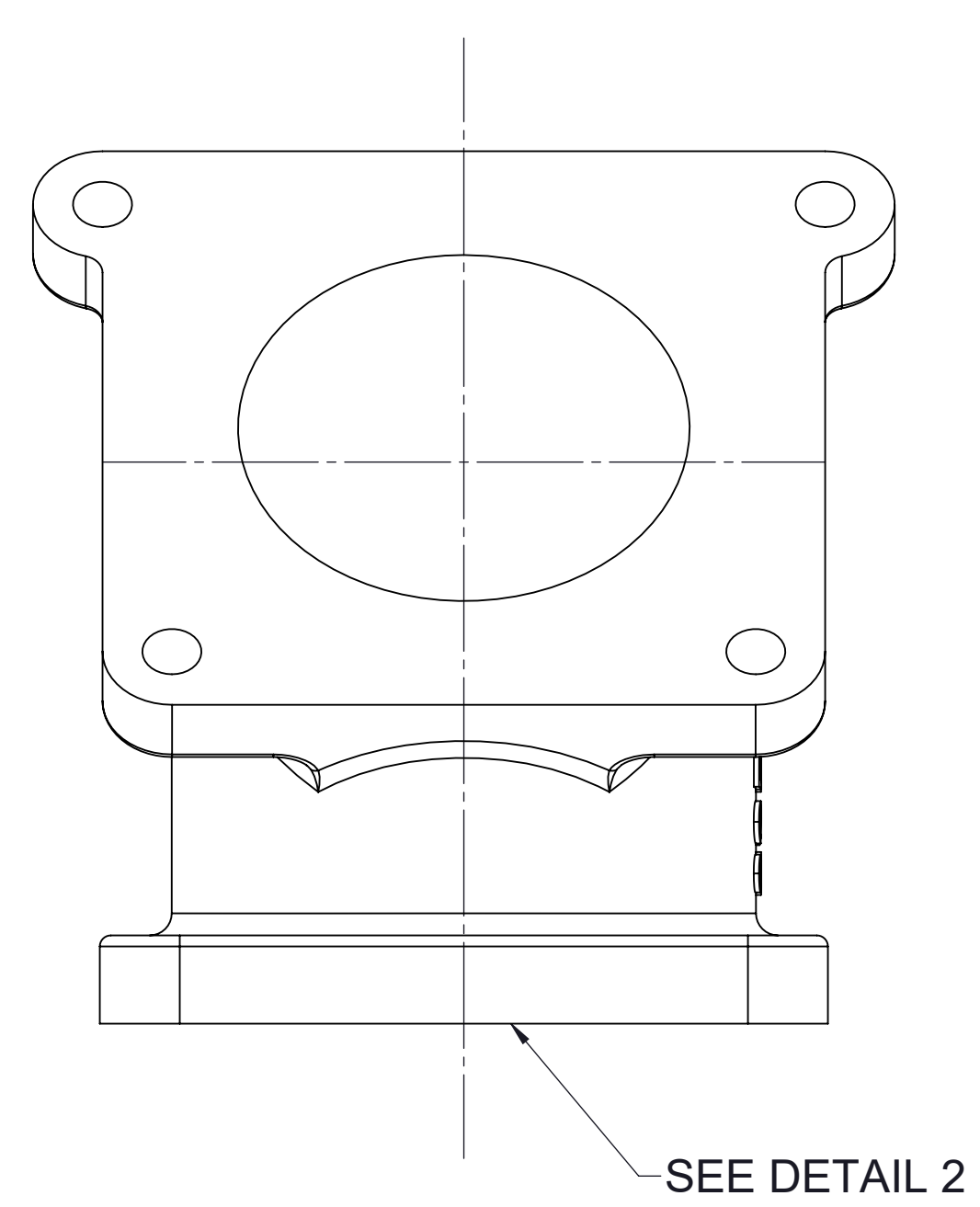
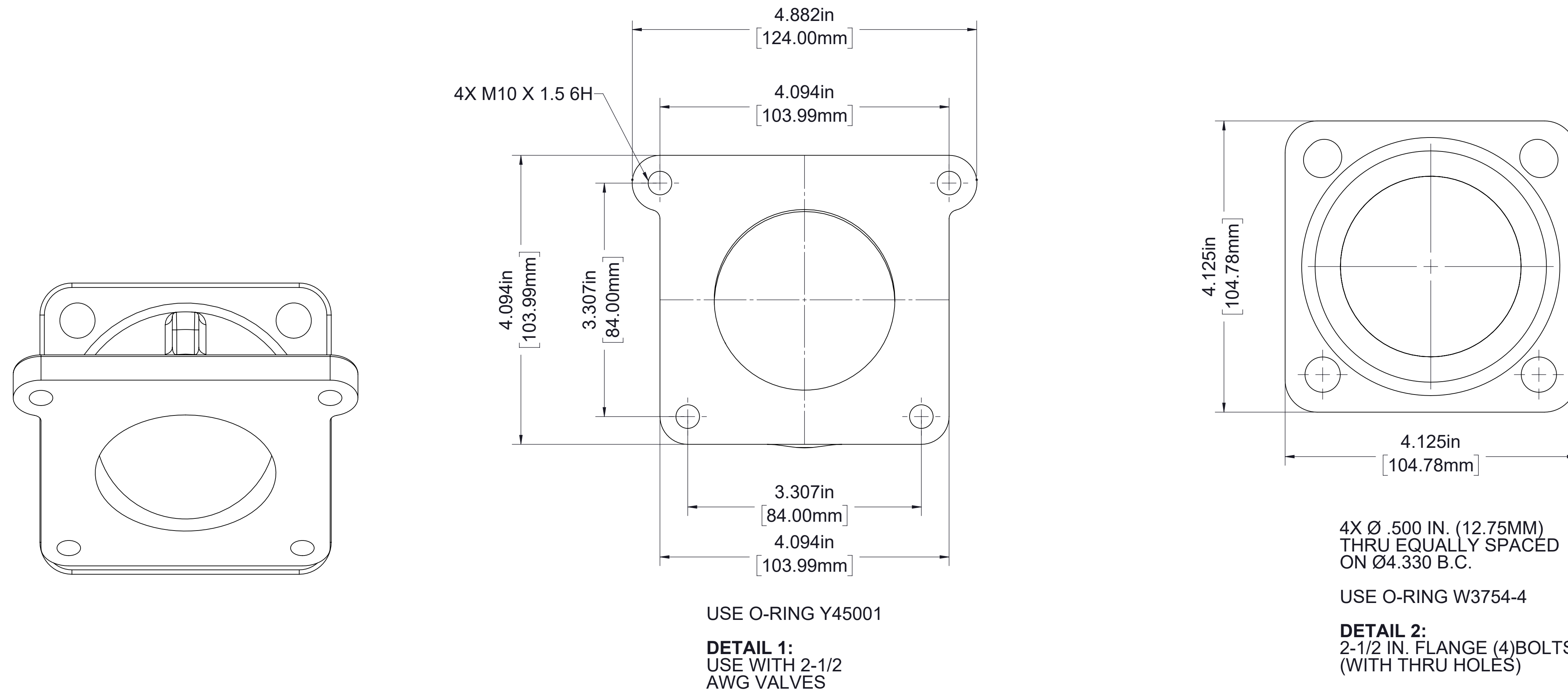


PART NO.	DESCRIPTION	TAP A	INCLUDES
71443-A	90° MEDIUM ELBOW	---	51218
71443-1A	90° MEDIUM ELBOW	1 NPT	

PART NO.	DESCRIPTION	INCLUDES GASKET
61424-A	90° SHORT ELBOW	51218

- NOTES:
1. ALL FITTINGS ARE AVAILABLE IN IRON OR BRONZE UNLESS OTHERWISE SPECIFIED, ADD "-BZ" SUFFIX TO PART NUMBER FOR BRONZE FITTINGS.
  2. SPECIFY WHERE EACH FITTING IS TO BE MOUNTED. ALL FITTINGS INCLUDE GASKET AND MOUNTING HARDWARE.
  3. ALL DIMENSIONS SHOWN AS INCH/MILLIMETER.

**TYPE 1 - FITTING FOR 2-1/2 IN. 4-BOLT MACHINIED PADS**

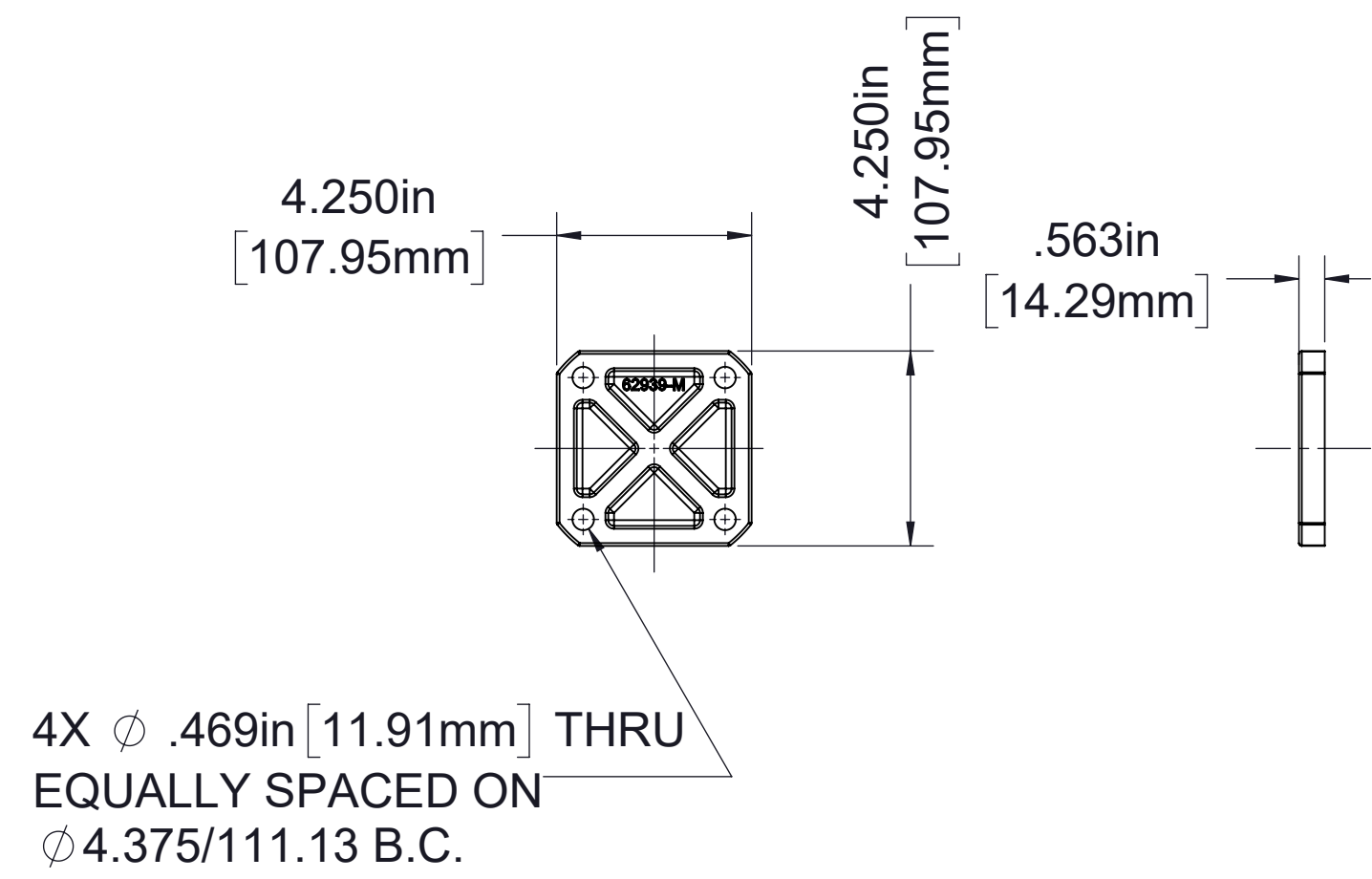


**NOTES:**  
1. SPECIFY WHERE FITTING IS TO BE MOUNTED.  
2. ALL DIMENSIONS SHOW AS INCH/ MILLIMETER.

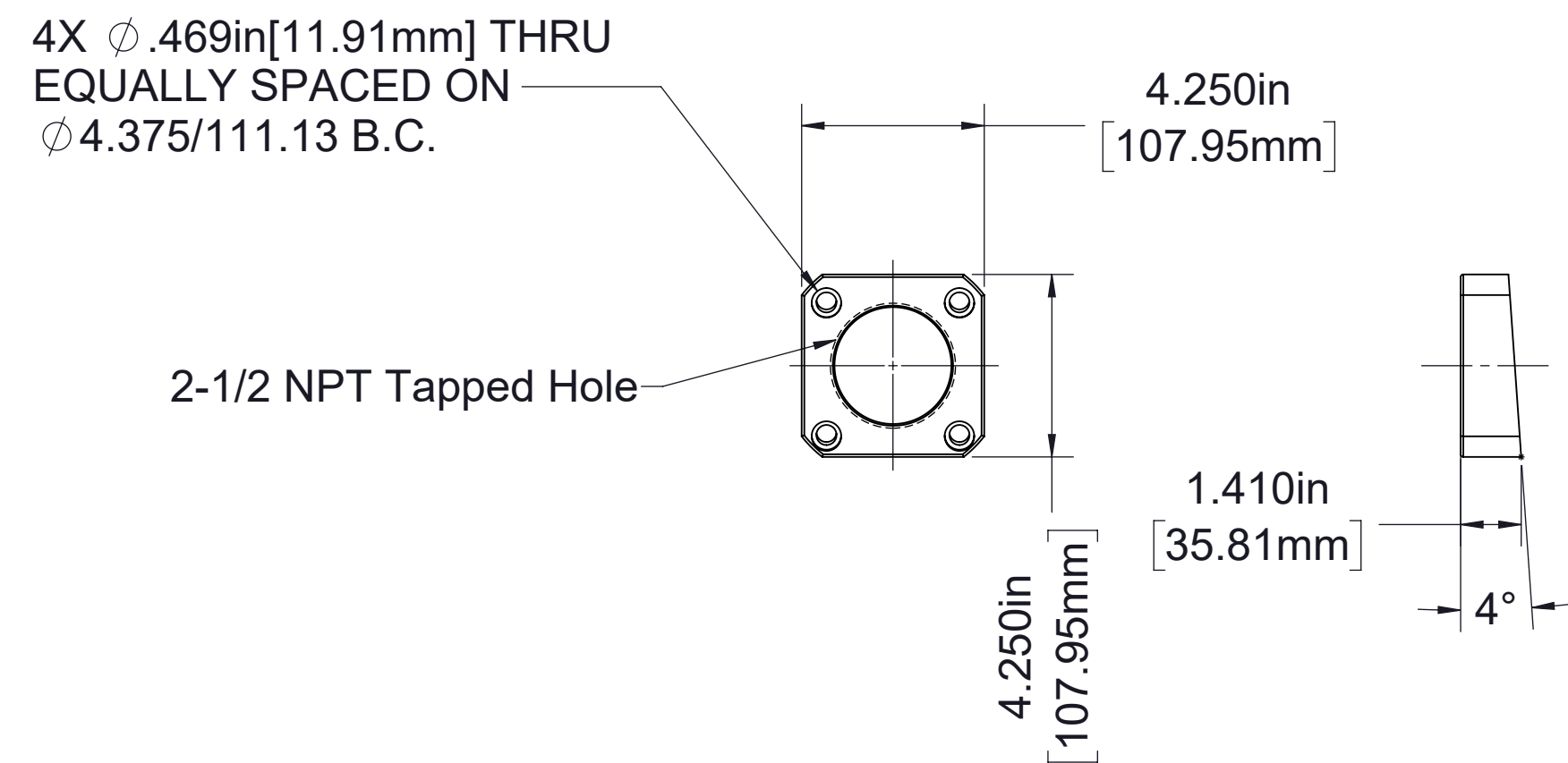
PART NUMBER	DISCRIPTION	INCLUDES
82533-ABZ	30° ELBOW- DISCHARGE	W3754-4

**TYPE 1 - FITTINGS FOR 2-1/2 IN. 4-BOLT MACHINED PADS**

**FLANGES**

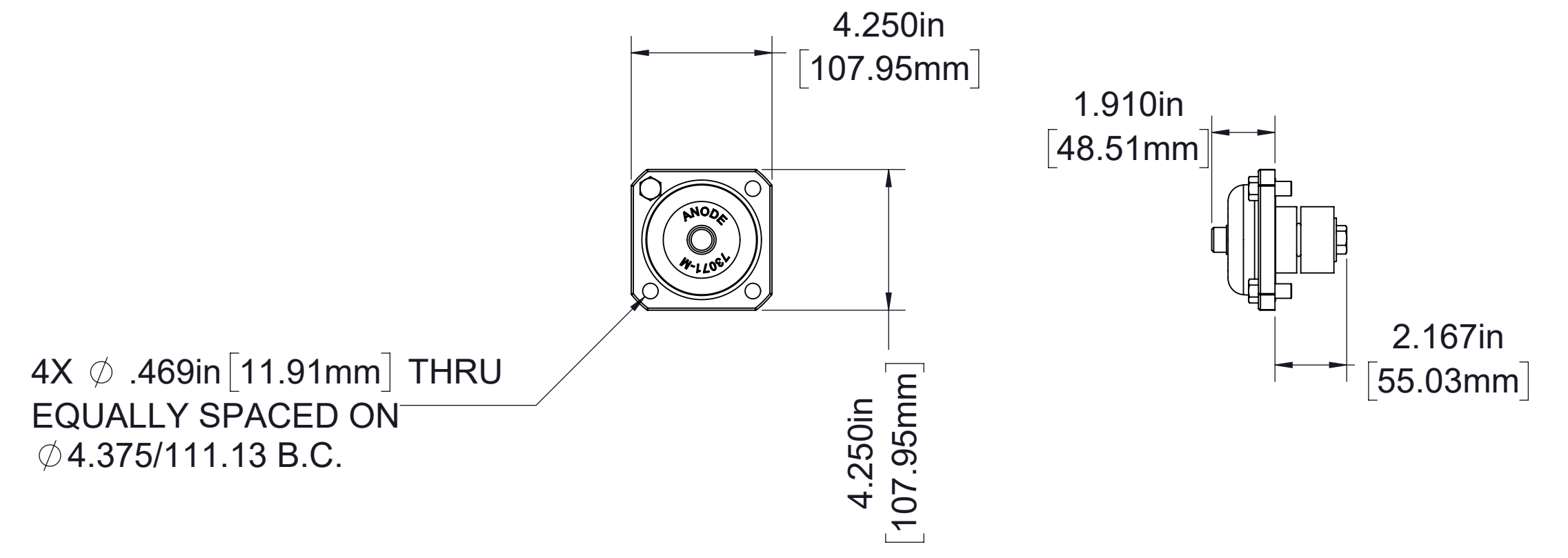


PART NO.	DESCRIPTION	INCLUDES O-RING
62939-A	BLIND FLANGE	W-3756-4



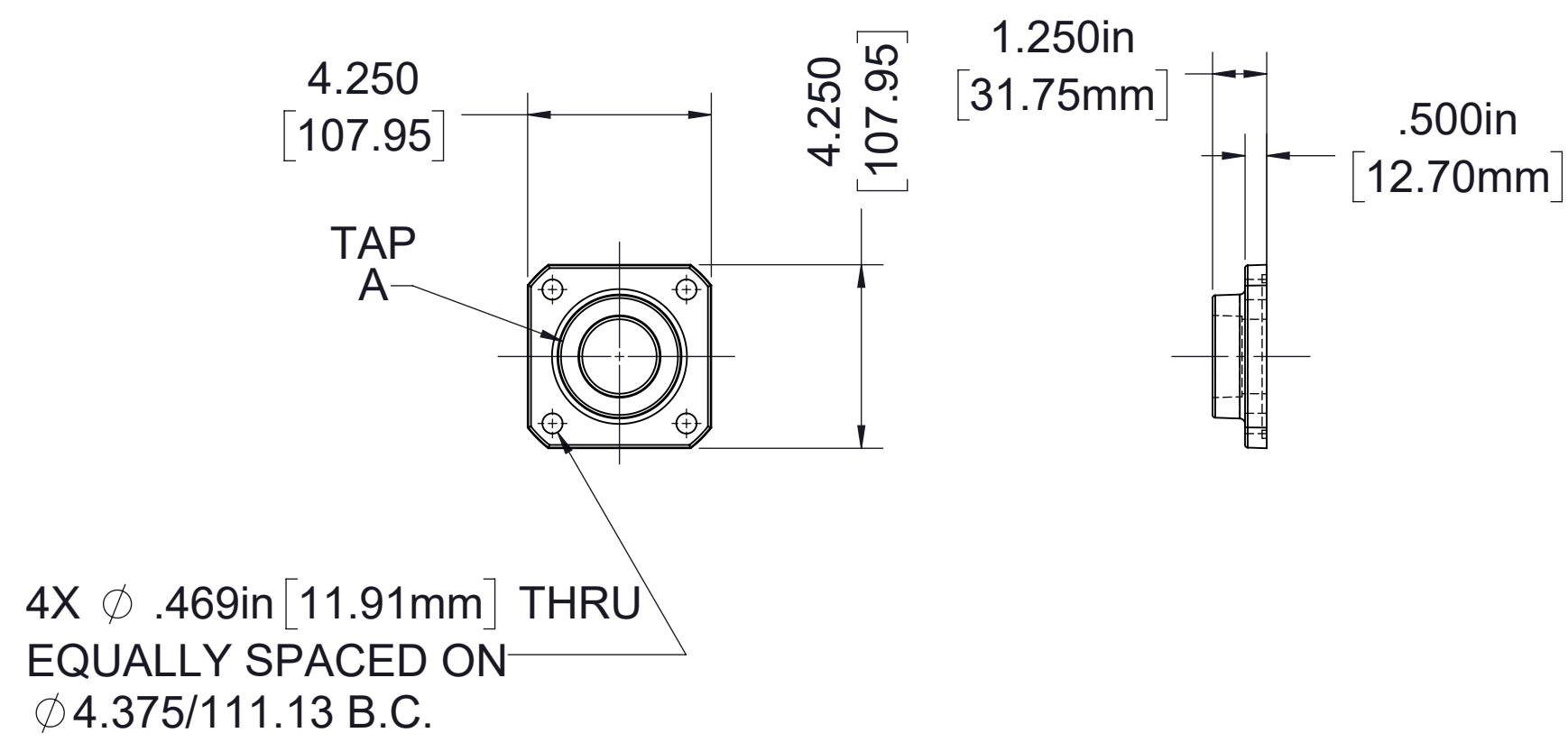
(USE (4) 7/16-14 SOCKET HEAD SCREWS)

PART NO.	DESCRIPTION	TAP A	INCLUDES O-RING
62605-A	ANGLE COMPENSATED TAPPED FLANGE	2.5 NPT	W3756-4
62605-1A		3 NPT	

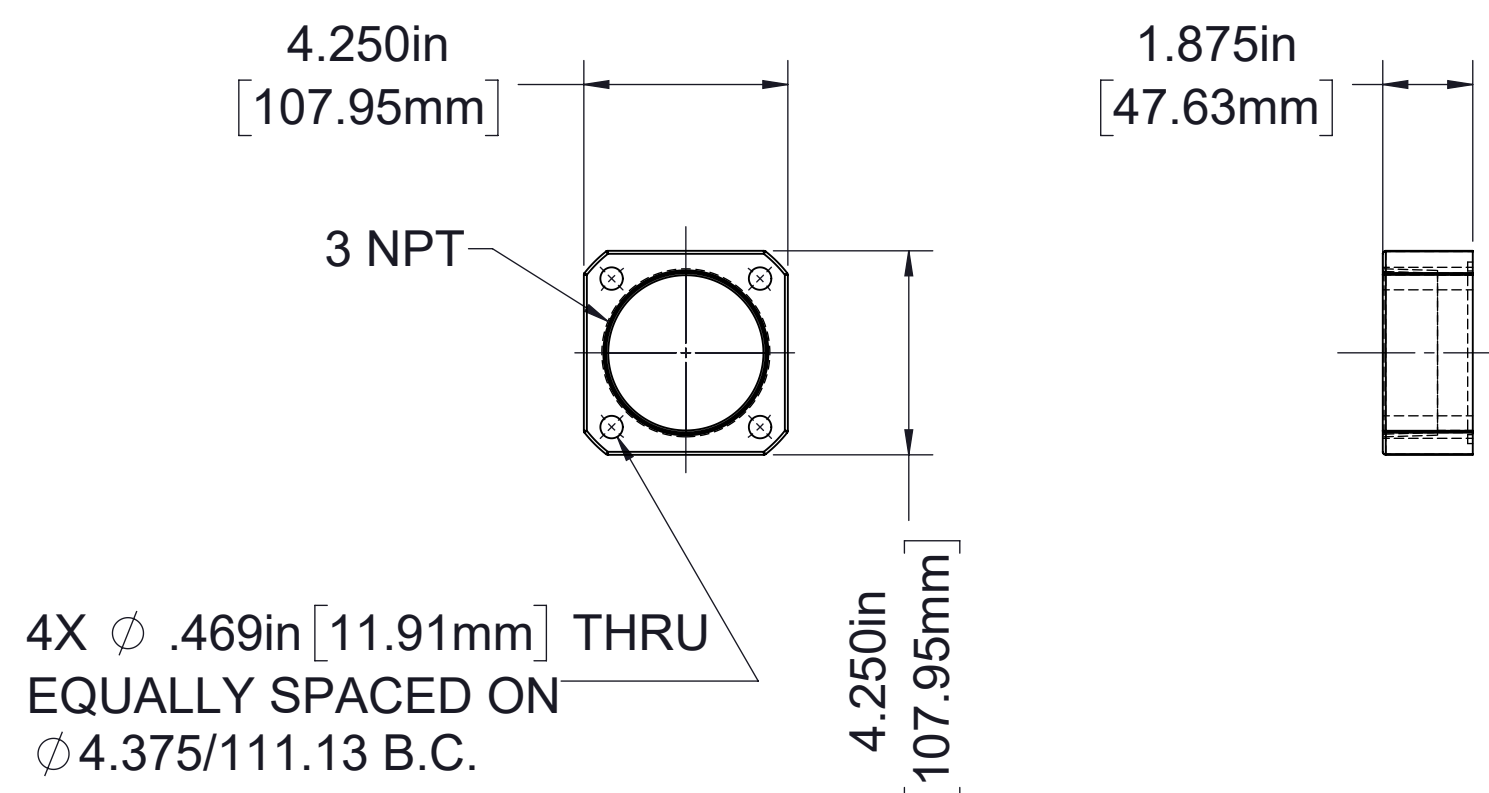


PART NO.	DESCRIPTION	PUMP MAT'L
82904-1A	Anode	IRON

- NOTES:  
1. THIS ANODE MAY BE MOUNTED ON ANY FITTING WITH A 2-1/2 IN. (4) BOLT FLANGE  
2. ANODE ASSEMBLY INCLUDES GASKET AND MOUNTING HARDWARE (USE O-RING W3756-4 AS GASKET)

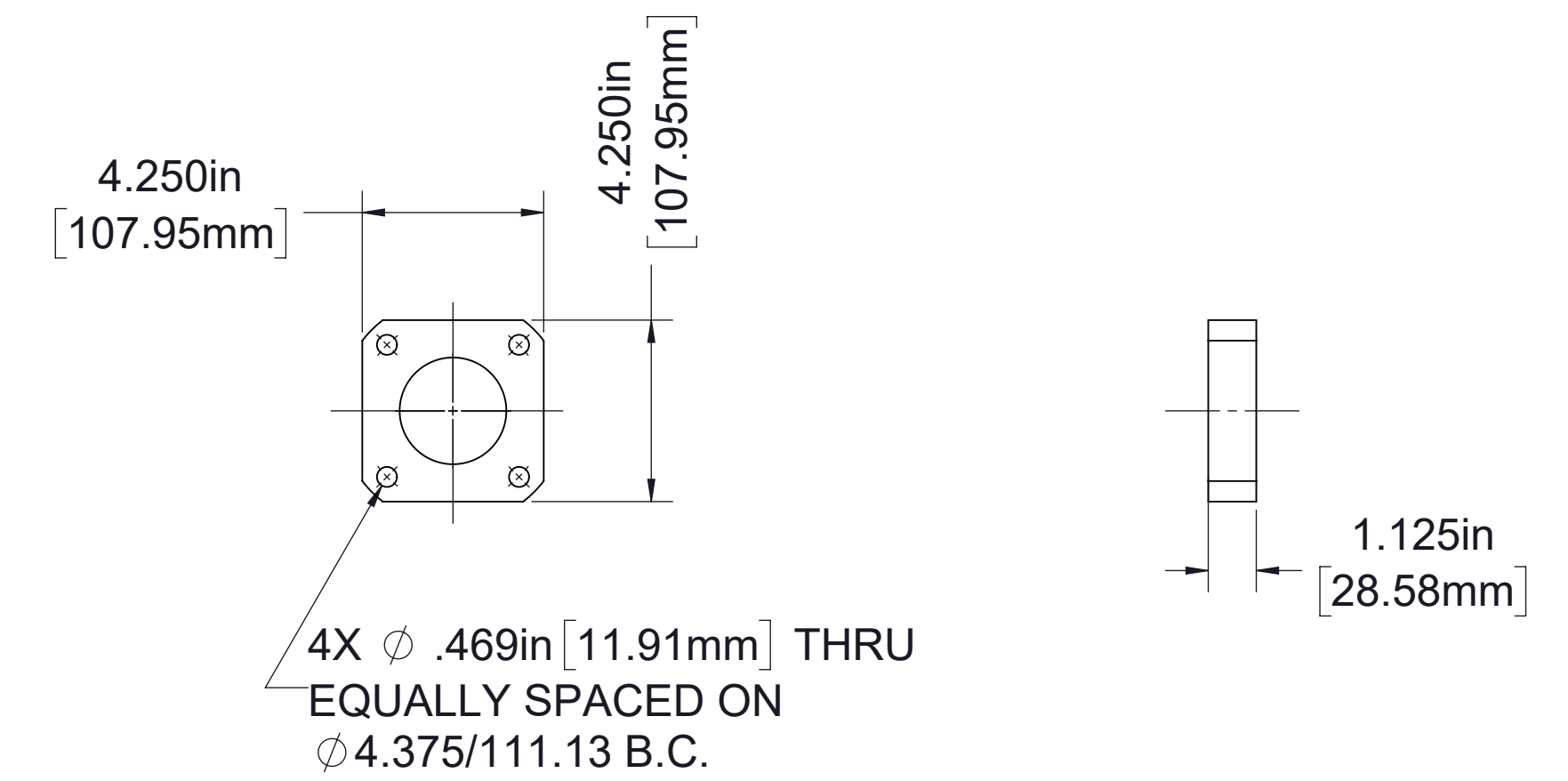


PART NO.	DESCRIPTION	TAP A	INCLUDES O-RING
63048-A	TAPPED FLANGE	1.5 NPT	W-3756-4
62897-A		2 NPT	



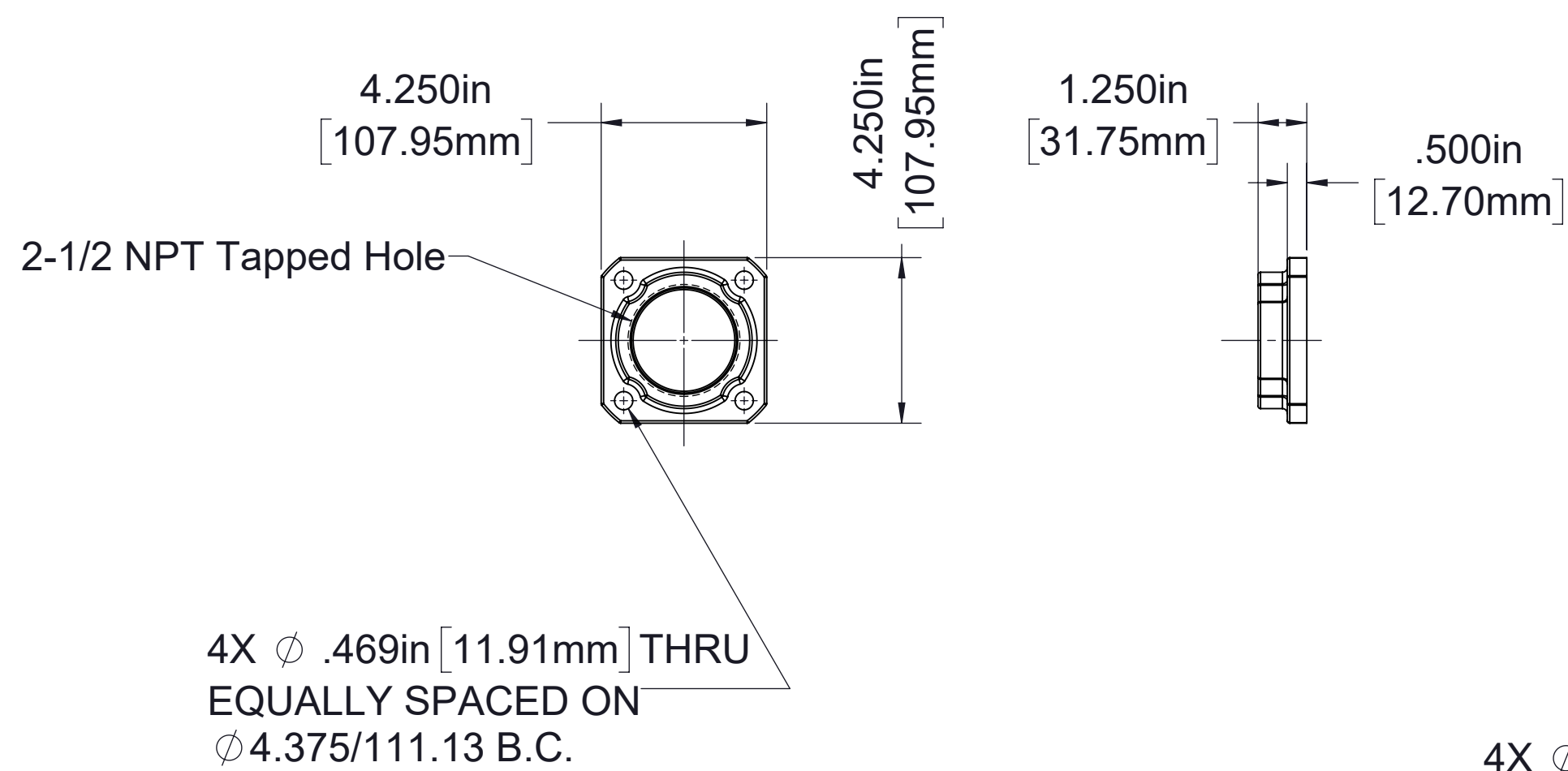
(USE (4) 7/16-14 SOCKET HEAD SCREWS)

PART NO.	DESCRIPTION	INCLUDES O-RING
61636-A	3 NPT TAPPED FLANGE	W-3756-4

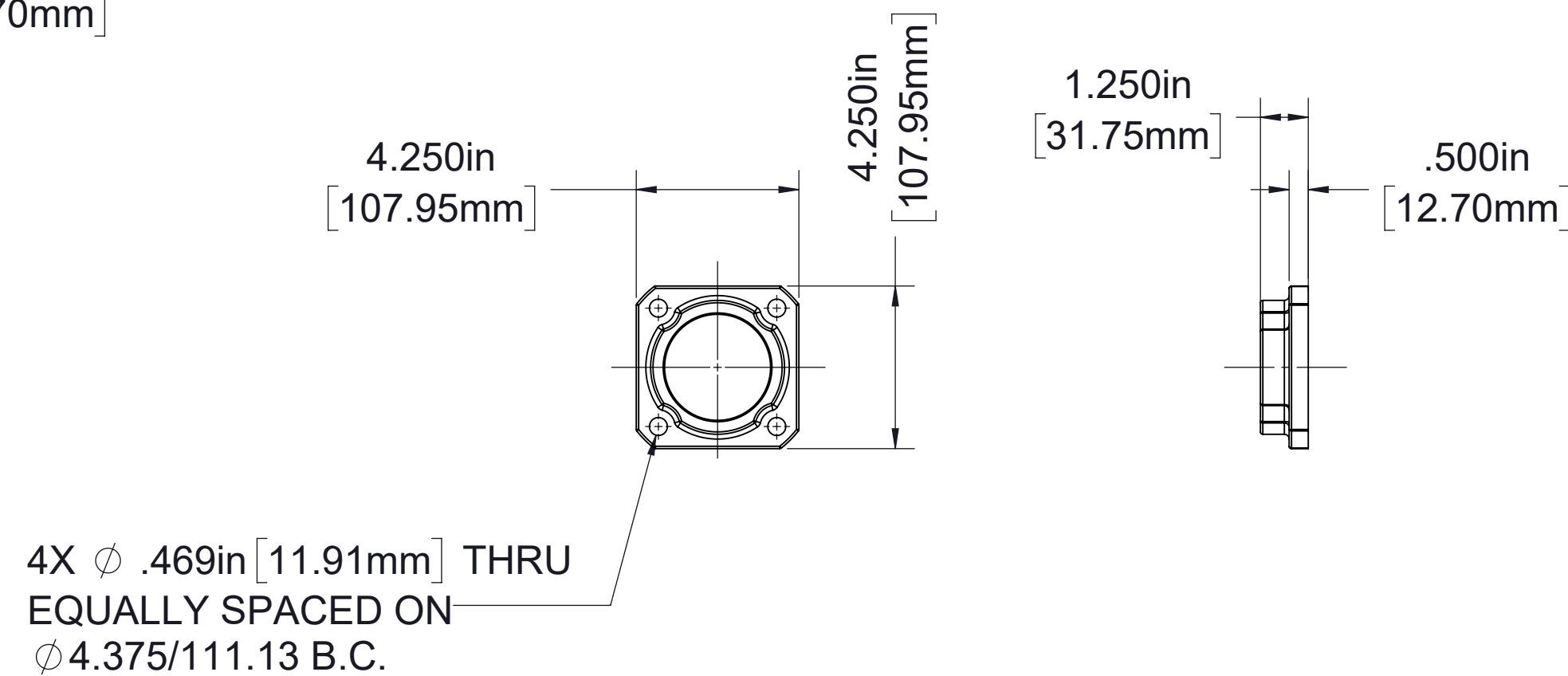


USE (4) 7/16-14 HEX HEAD SCREWS

PART NO.	DESCRIPTION	INCLUDES GASKET
63049-A	SPACER	51218



PART NO.	DESCRIPTION	INCLUDES O-RING
61473-A	2.5 NPT TAPPED FLANGE	W-3756-4

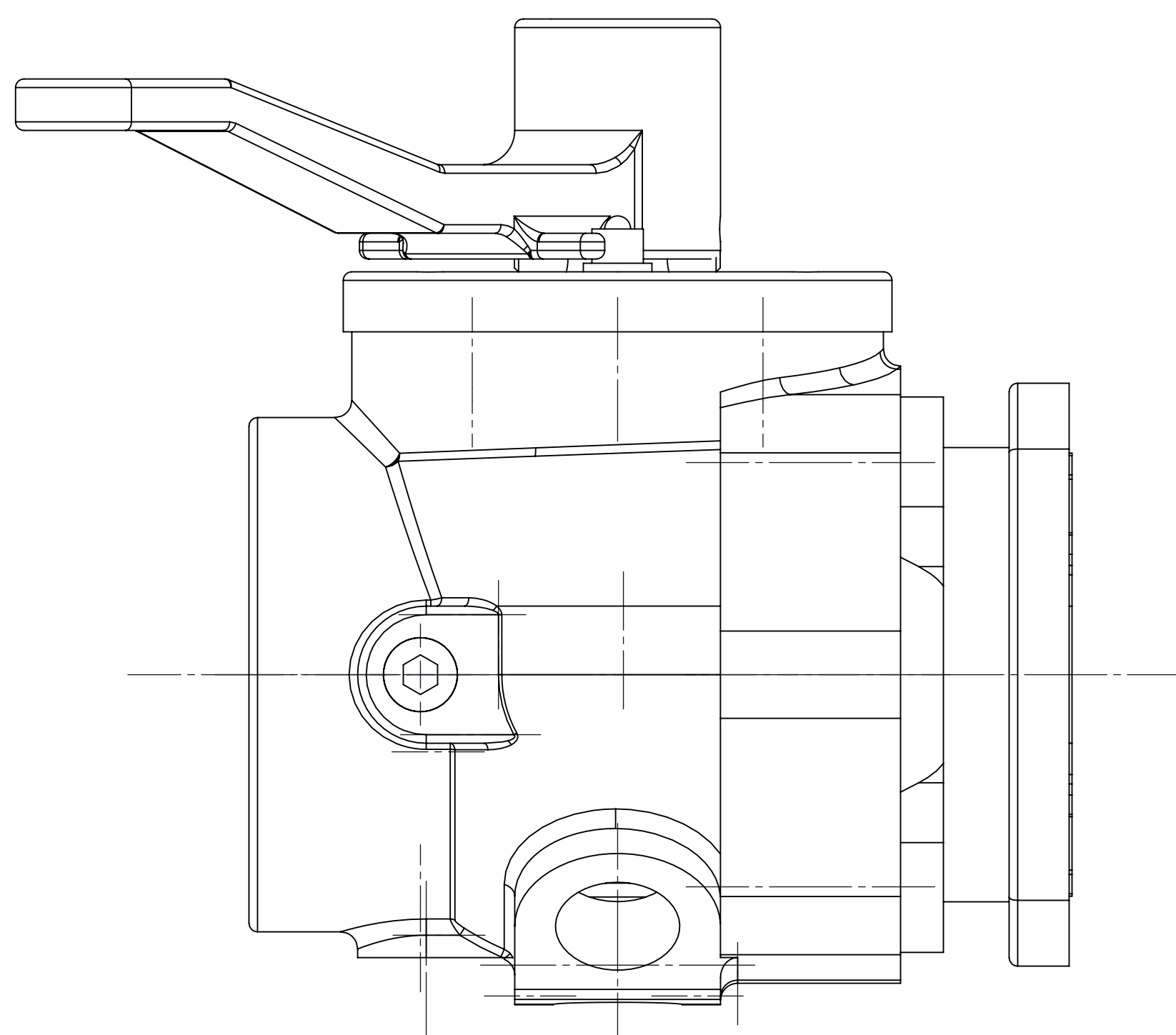


PART NO.	DESCRIPTION	INCLUDES O-RING
63205-A	2-1/2 IN. BSP TAPPED FLANGE	W3756-4

- NOTES:  
1. ALL FITTINGS ARE AVAILABLE IN IRON OR BRONZE UNLESS OTHERWISE SPECIFIED, ADD "BZ" SUFFIX TO PART NUMBER FOR BRONZE FITTINGS.  
2. SPECIFY WHERE EACH FITTING IS TO BE MOUNTED. ALL FITTINGS INCLUDE GASKET AND MOUNTING HARDWARE.  
3. ALL DIMENSIONS SHOWN AS INCH/MILLIMETER.

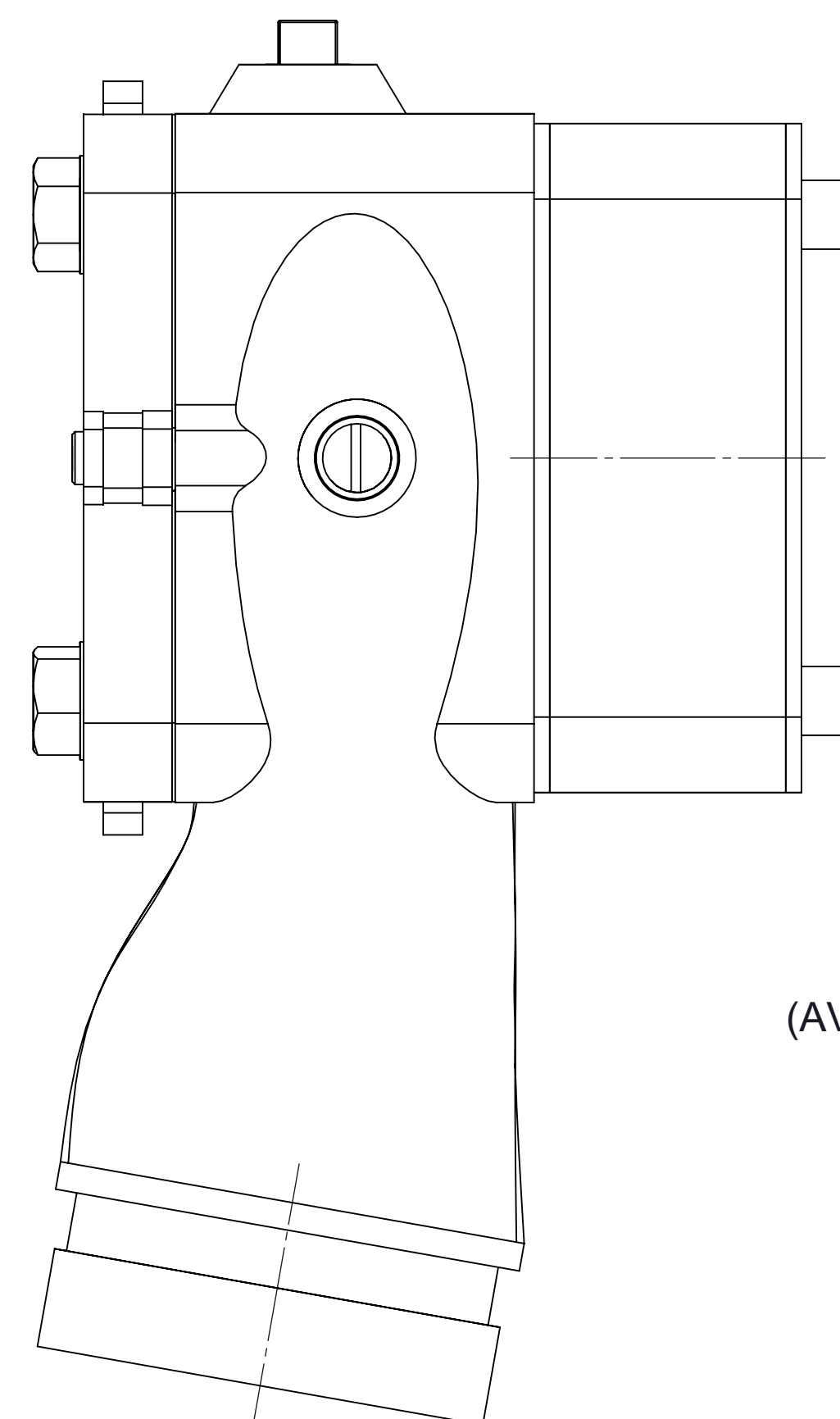


**TYPE 1 - FITTINGS FOR 2-1/2 IN. 4-BOLT MACHINED PADS**



**MOUNTING A 2-1/2 IN. DISCHARGE VALVE**

REFER TO 2-1/2 IN. DISCHARGE VALVE DIMENSIONAL  
DRAWING FOR VALVE PART NUMBERS



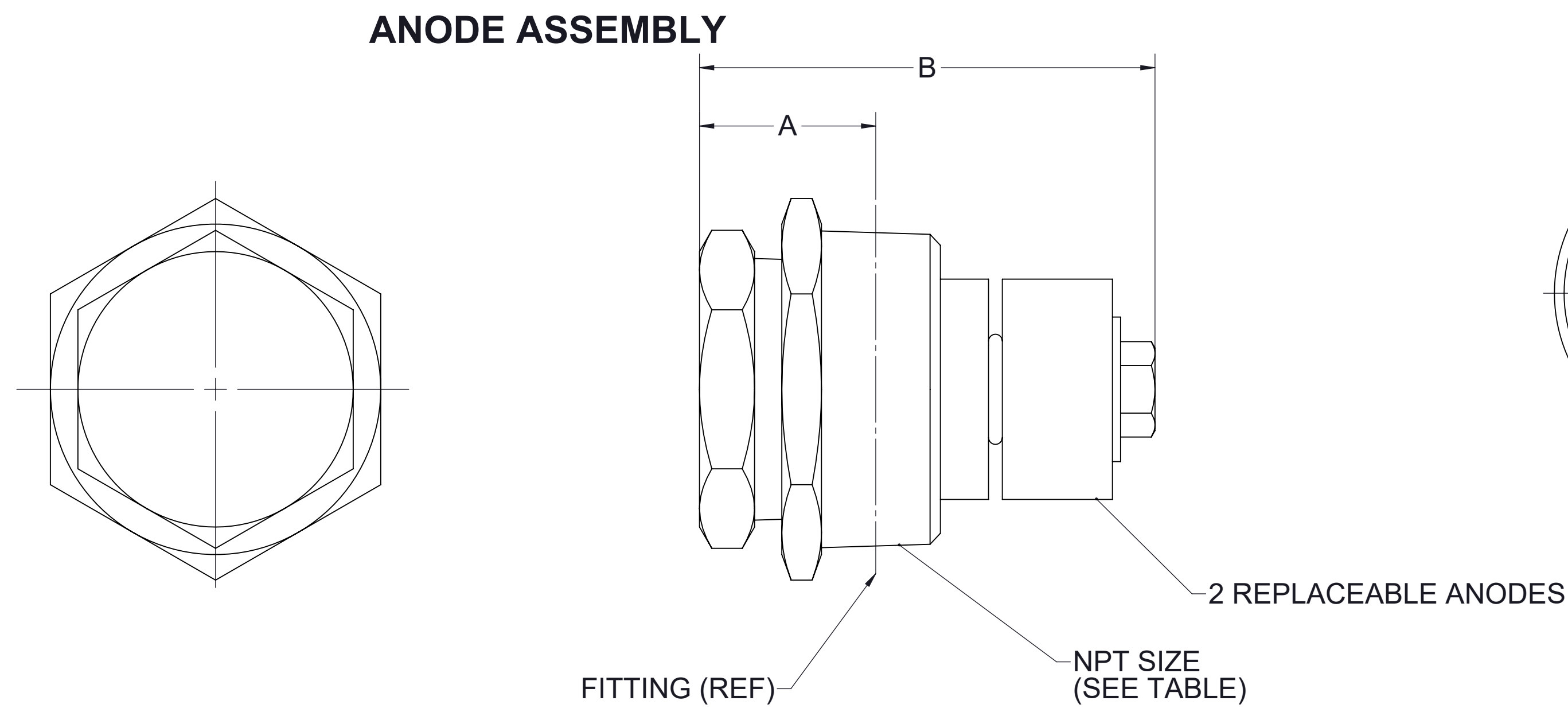
(AVAILABLE ON INTAKE FITTING PADS ONLY)

**MOUNTING AN INTAKE RELIEF  
VALVE**

REFER TO DIMENSIONAL DRAWING  
DPL82084-5

PART NO.
82256-4

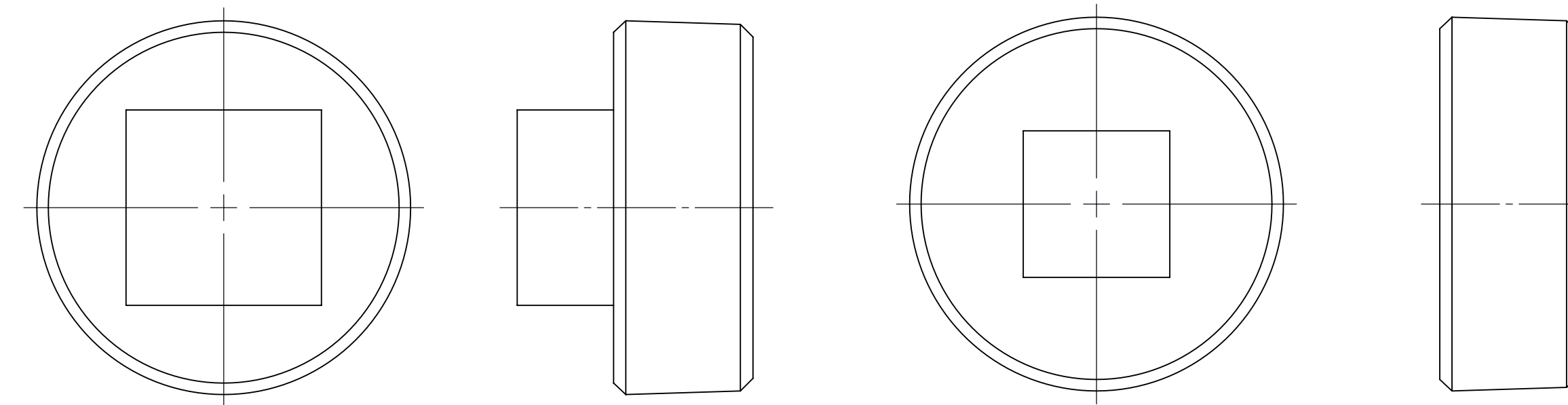
**TYPE 2 - FITTINGS FOR 2-1/2 NPT OPENINGS**



PART NO.	SIZE	A	B
52315	2-1/2 NPT	1.810/45.97	4.090/103.89

NOTE: THIS ANODE ASSEMBLY MAY BE INSTALLED IN ANY FITTING WITH A 2-1/2 NPT TAP

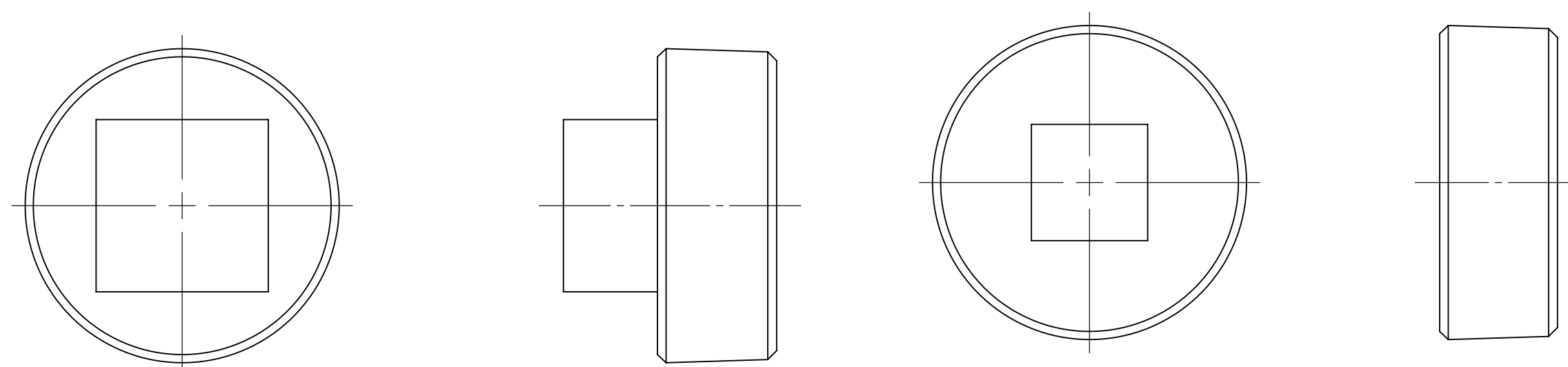
**PIPE PLUGS**



PART NO.	SIZE	TYPE	MAT'L
W6540-G	2-1/2 NPT	SQUARE HEAD	GALVANIZED IRON
W6540-B			BRASS
W6640		HEADLESS	IRON

**TYPE 3 - FITTINGS FOR 2 IN. NPT OPENINGS**

**PIPE PLUGS**

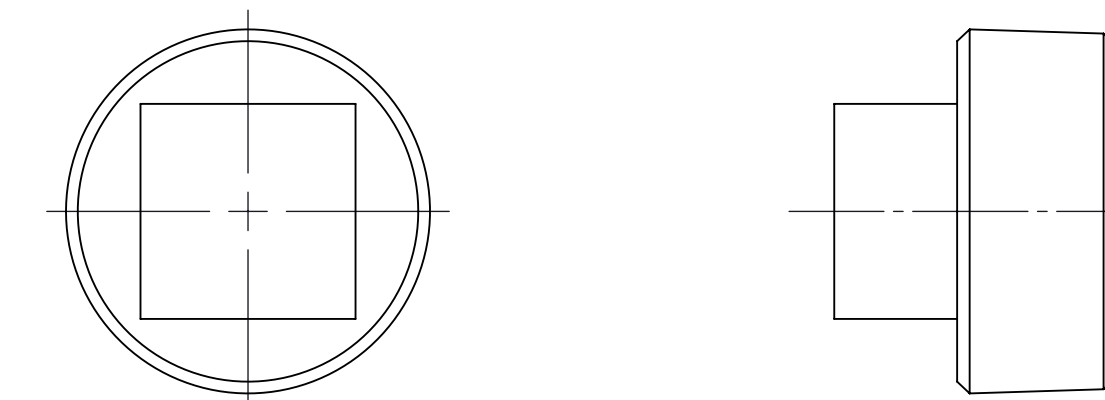


SQUARE HEAD HEADLESS

PART NO.	SIZE	TYPE	MAT'L
W6532	2 NPT	SQUARE HEAD	IRON
W6532-B			BRASS
W6632		HEADLESS	IRON
W6632-B			BRASS

**TYPE 4 - FITTINGS FOR 1-1/2 IN. NPT OPENINGS**

**PIPE PLUGS**



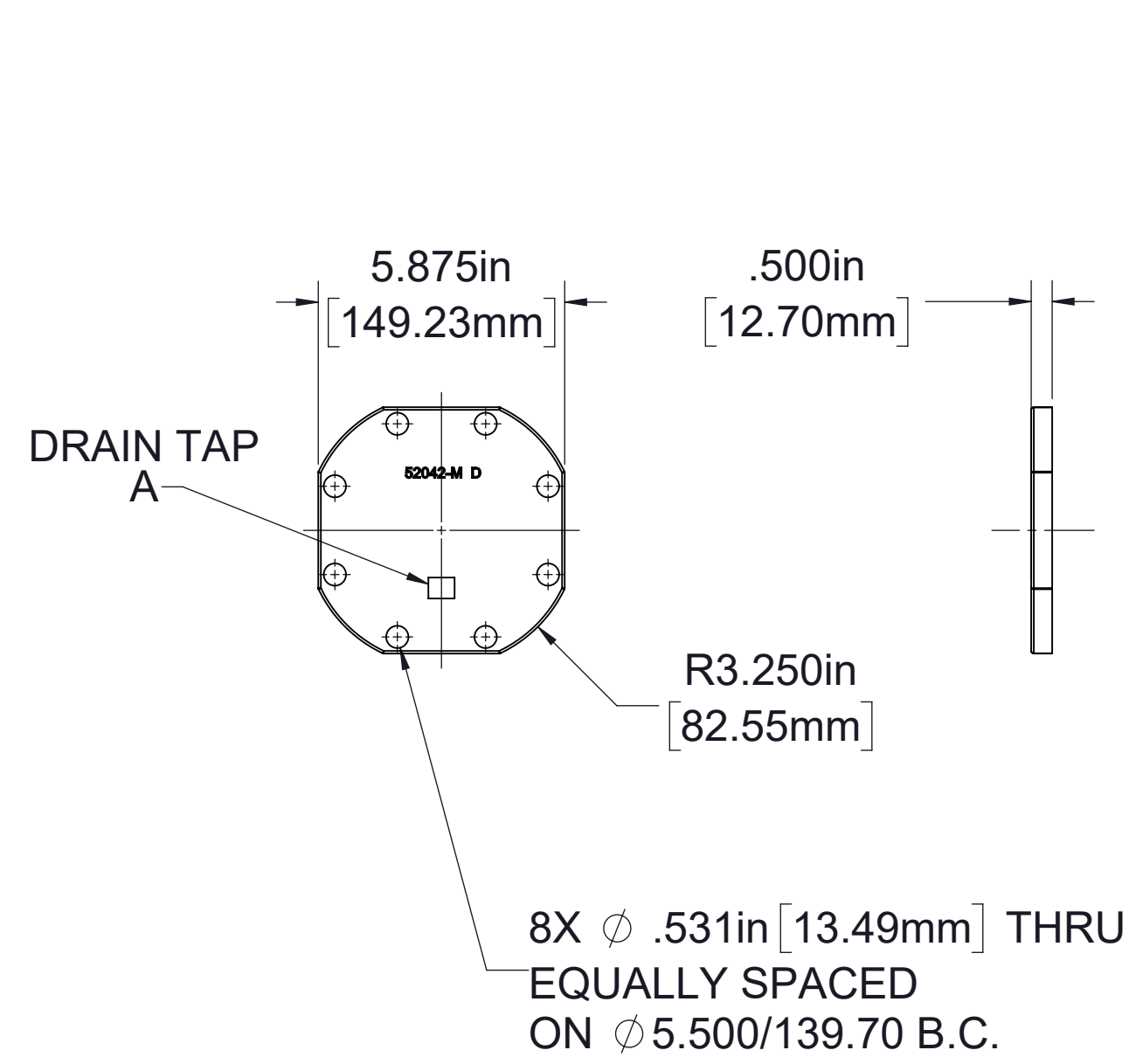
SQUARE HEAD

PART NO.	SIZE	TYPE	MAT'L
W6524	1-1/2 NPT	SQUARE HEAD	IRON
W6524-B			BRASS

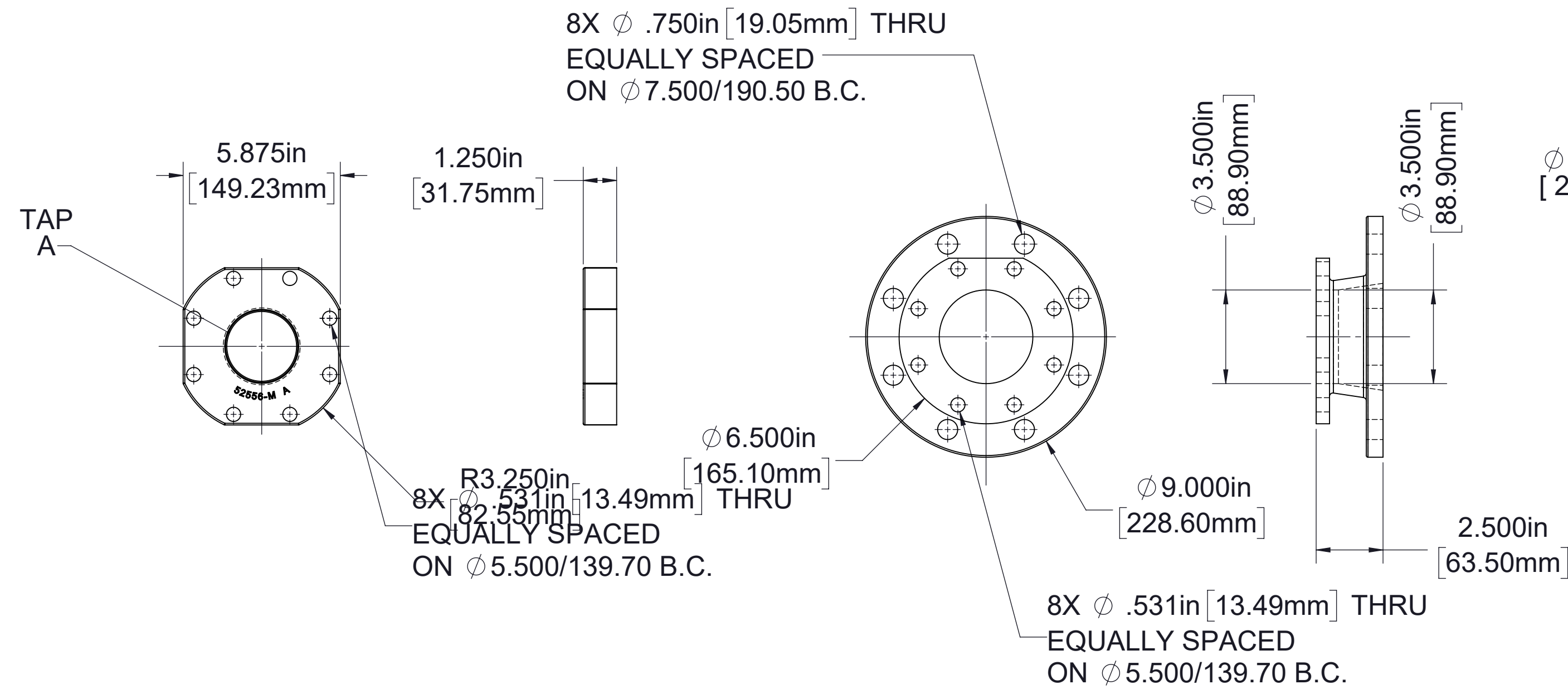
NOTE: ALL DIMENSIONS SHOWN AS INCH/MILLIMETER

## TYPE 7 - FITTINGS FOR 3-1/2 IN. DISCHARGE VALVES

### FLANGES



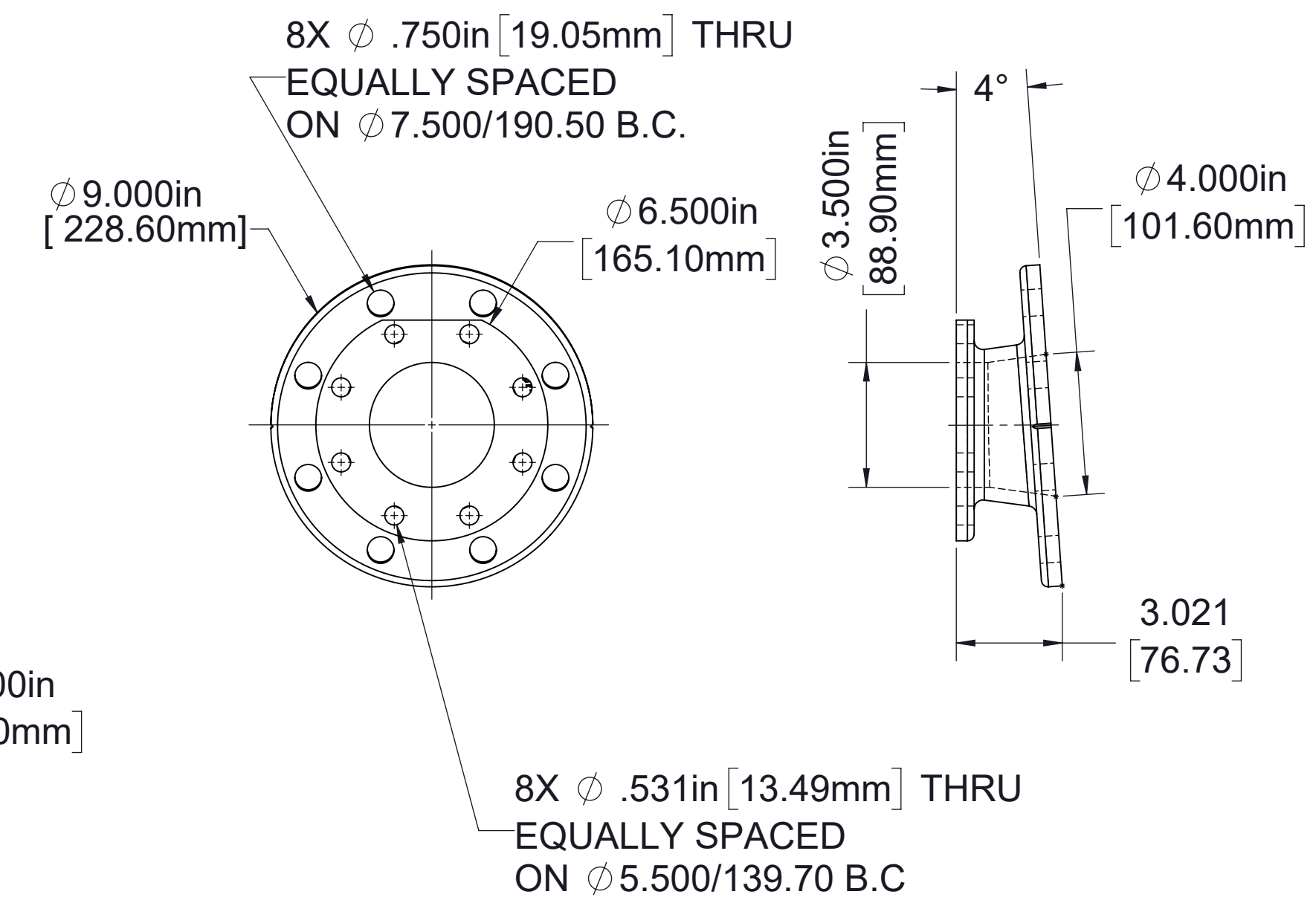
PART NO.	DESCRIPTION	DRAIN TAP A	INCLUDES GASKET
52042-1A	BLIND FLANGE WITH DRAIN	3/8 NPT	51195



PART NO.	DESCRIPTION	TAP A	INCLUDES GASKET
*52556-A	TAPPED FLANGE	2-1/2 NPT	51195
*51744-A		3 NPT	
*51744-1A		3-1/2 NPT	
51744-4C		4 NPT	

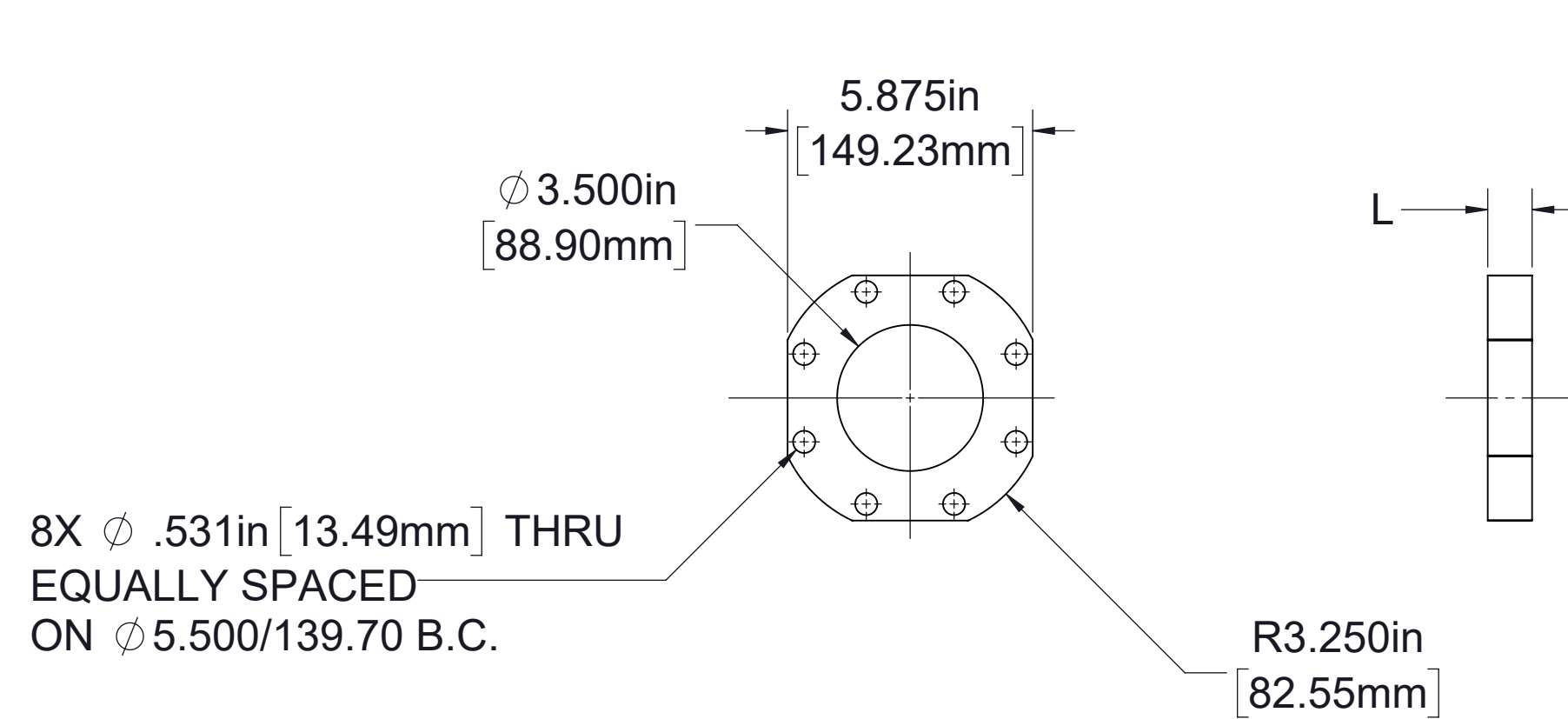
\* AVAILABLE IN IRON ONLY

### ADAPTERS

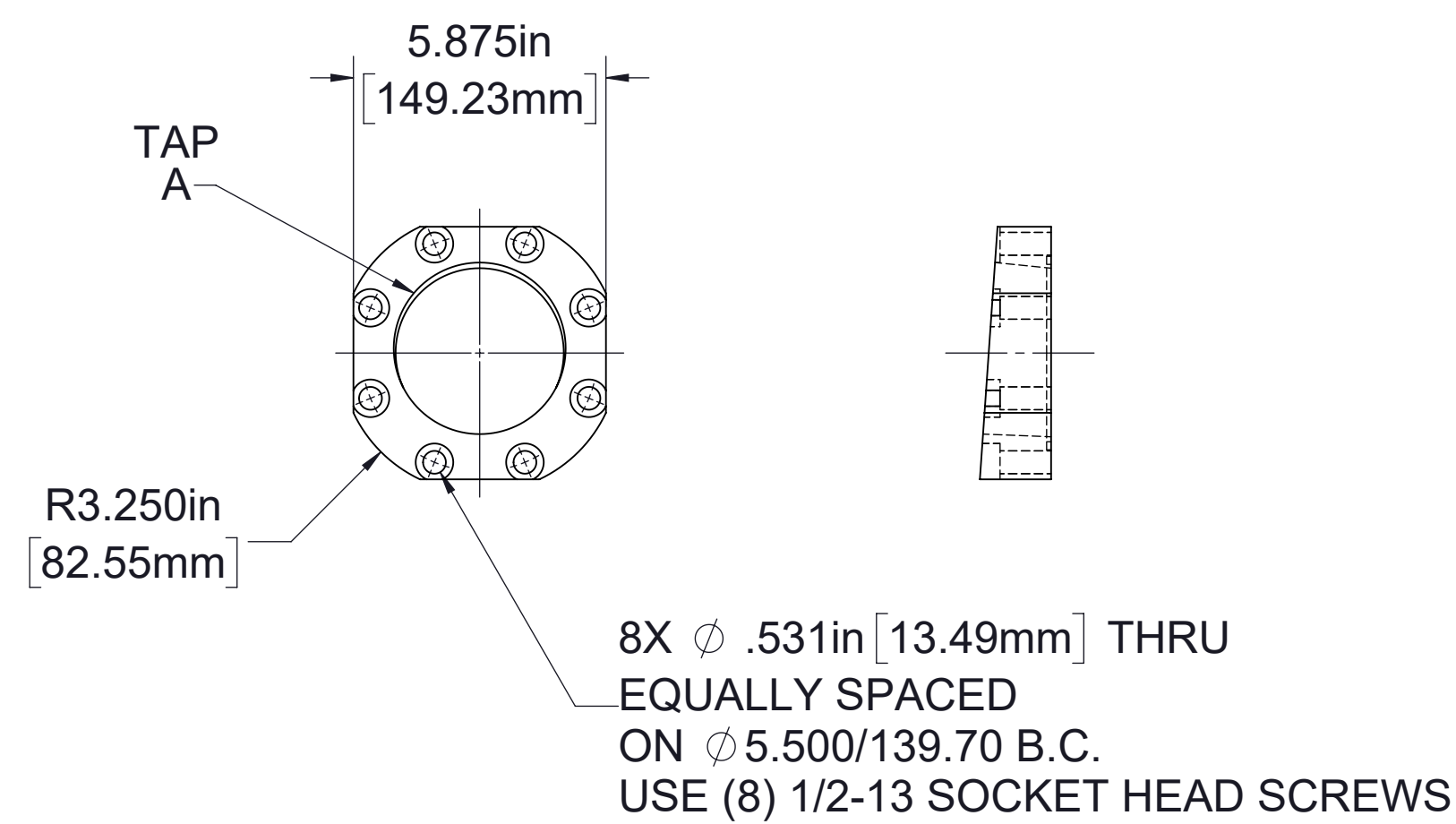


PART NO.	DESCRIPTION	INCLUDES GASKET
72402-A	WATEROUS 3-1/2 (8) BOLT TO 4 IN. ANSI FLANGE ADAPTER	51195

PART NO.	DESCRIPTION	INCLUDES GASKET
72797-A	WATEROUS 3-1/2 (8) BOLT TO 4 IN. ANSI ANGLE COMPENSATED FLANGE ADAPTER	51195



PART NO.	DESCRIPTION	INCLUDES GASKET	L
51754-A	SPACER	51195	1.062/26.97
52703-A			.750/19.05



PART NO.	DESCRIPTION	TAP A	INCLUDES GASKET
72098-A	ANGLE COMPENSATED TAPPED FLANGE	3-1/2 NPT	52108
72257-A		3 NPT	
72844-A		3 IN. BSP	

#### NOTES:

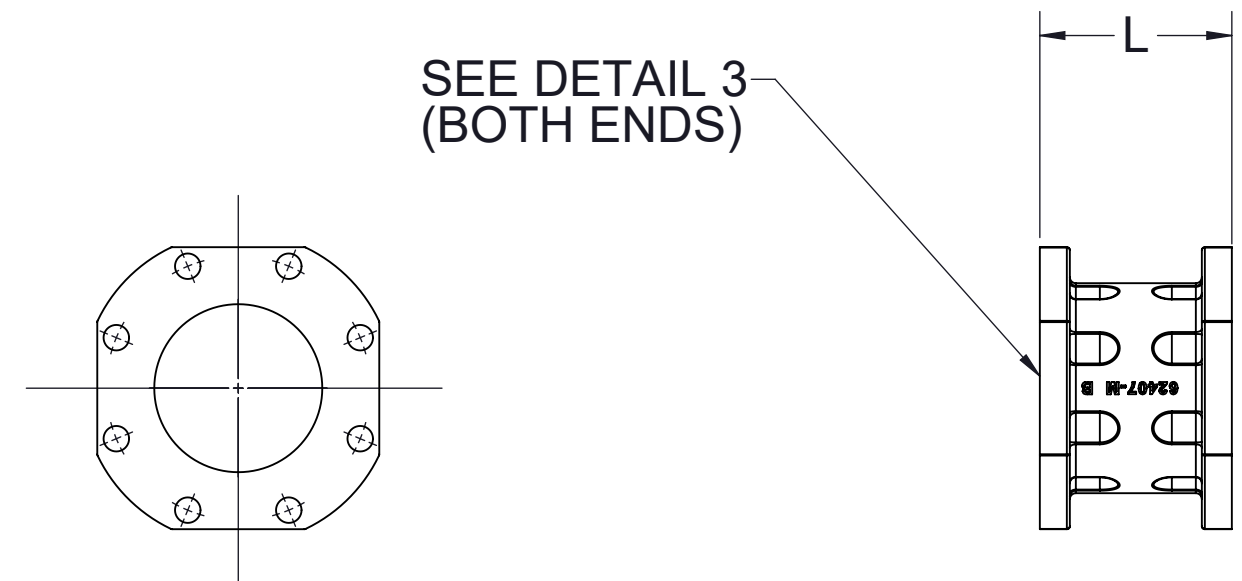
- ALL FITTINGS ARE AVAILABLE IN IRON OR BRONZE UNLESS OTHERWISE SPECIFIED, ADD "-BZ" SUFFIX TO PART NUMBER FOR BRONZE FITTINGS.
- SPECIFY WHERE EACH FITTING IS TO BE MOUNTED. ALL FITTINGS INCLUDE GASKET AND MOUNTING HARDWARE.
- ALL DIMENSIONS SHOWN AS INCH/MILLIMETER.



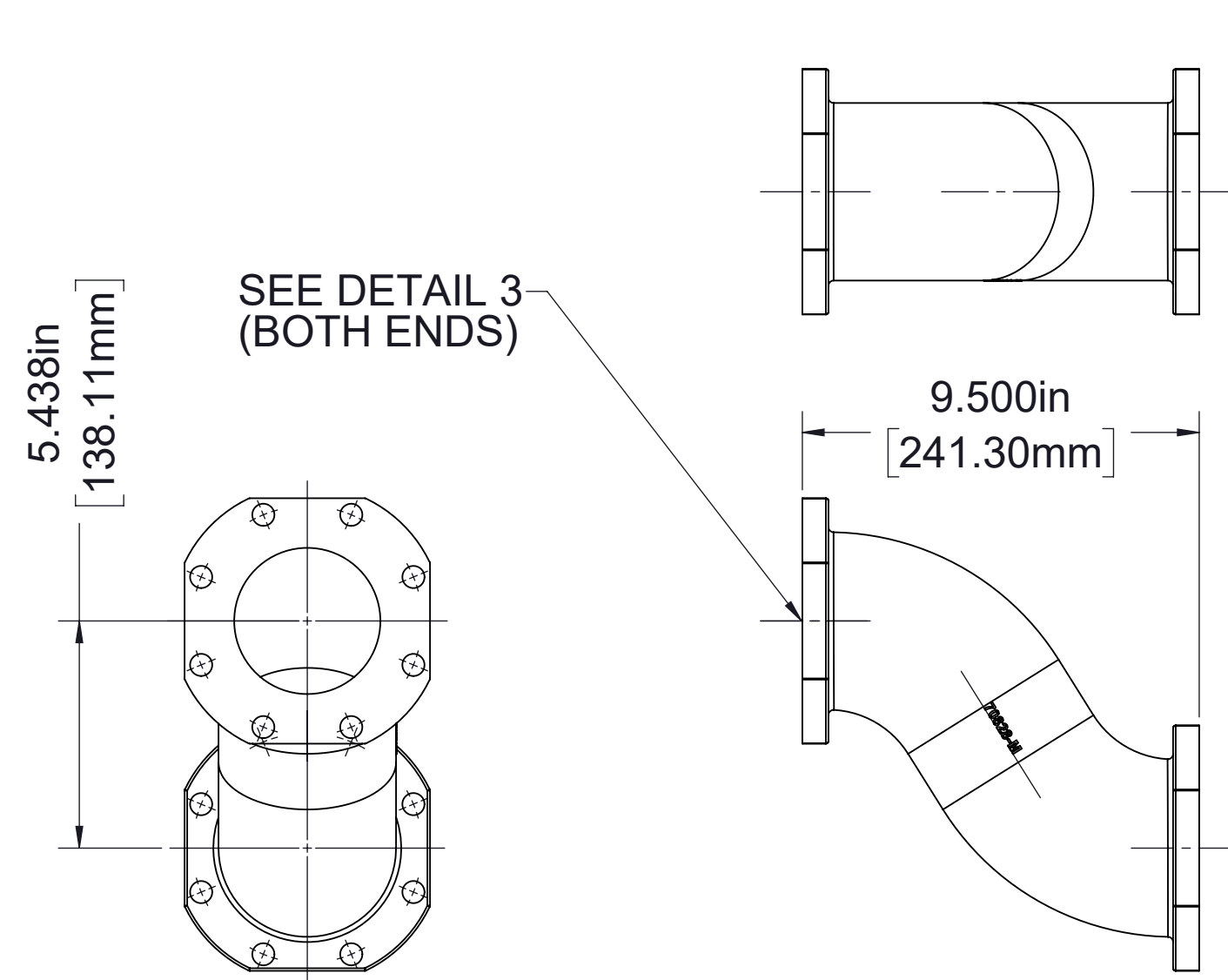
**TYPE 7 - FITTINGS FOR 3-1/2 IN. DISCHARGE VALVES**

**EXTENSIONS**

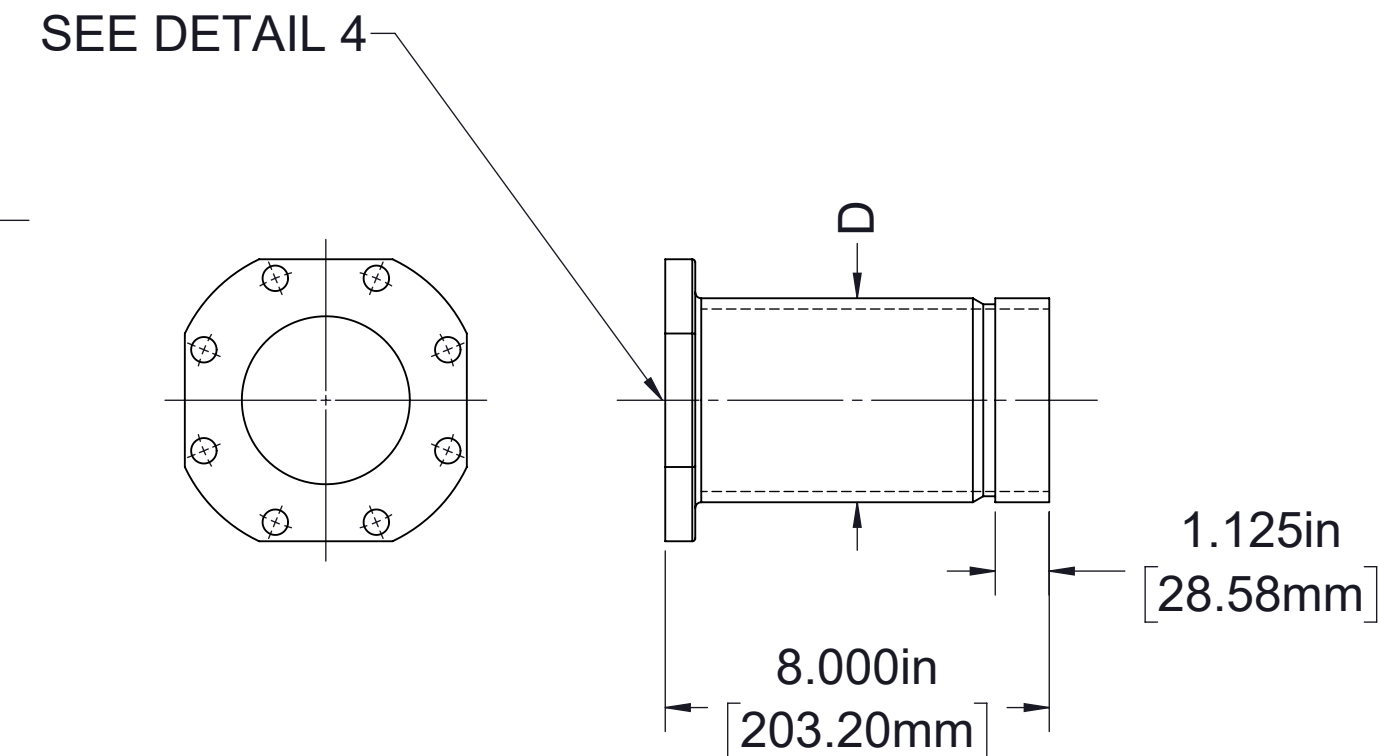
**ELBOWS**



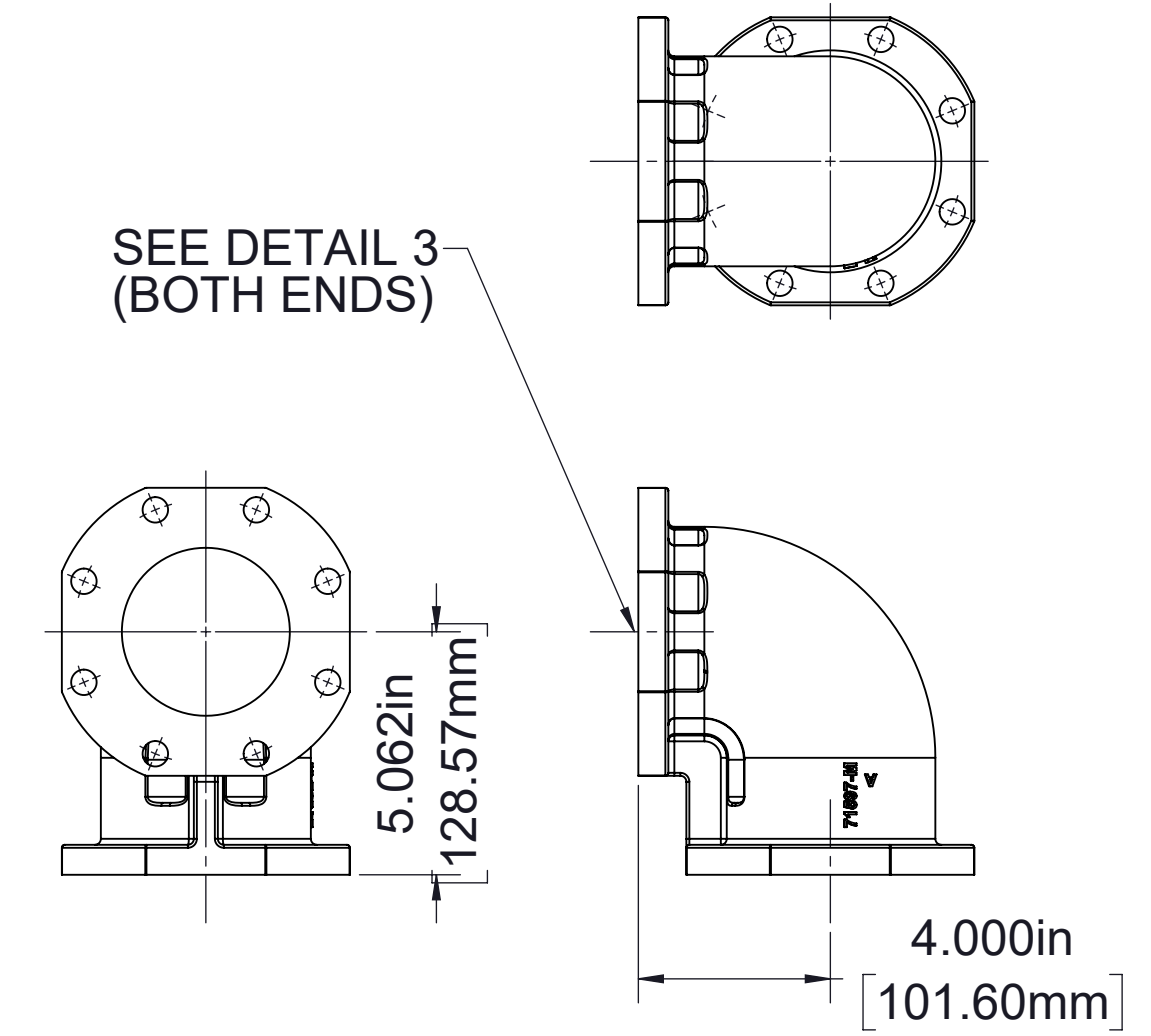
PART NO.	L	INCLUDES GASKET
62407-A	6.000/152.40	51195
62408-A	4.000/101.60	



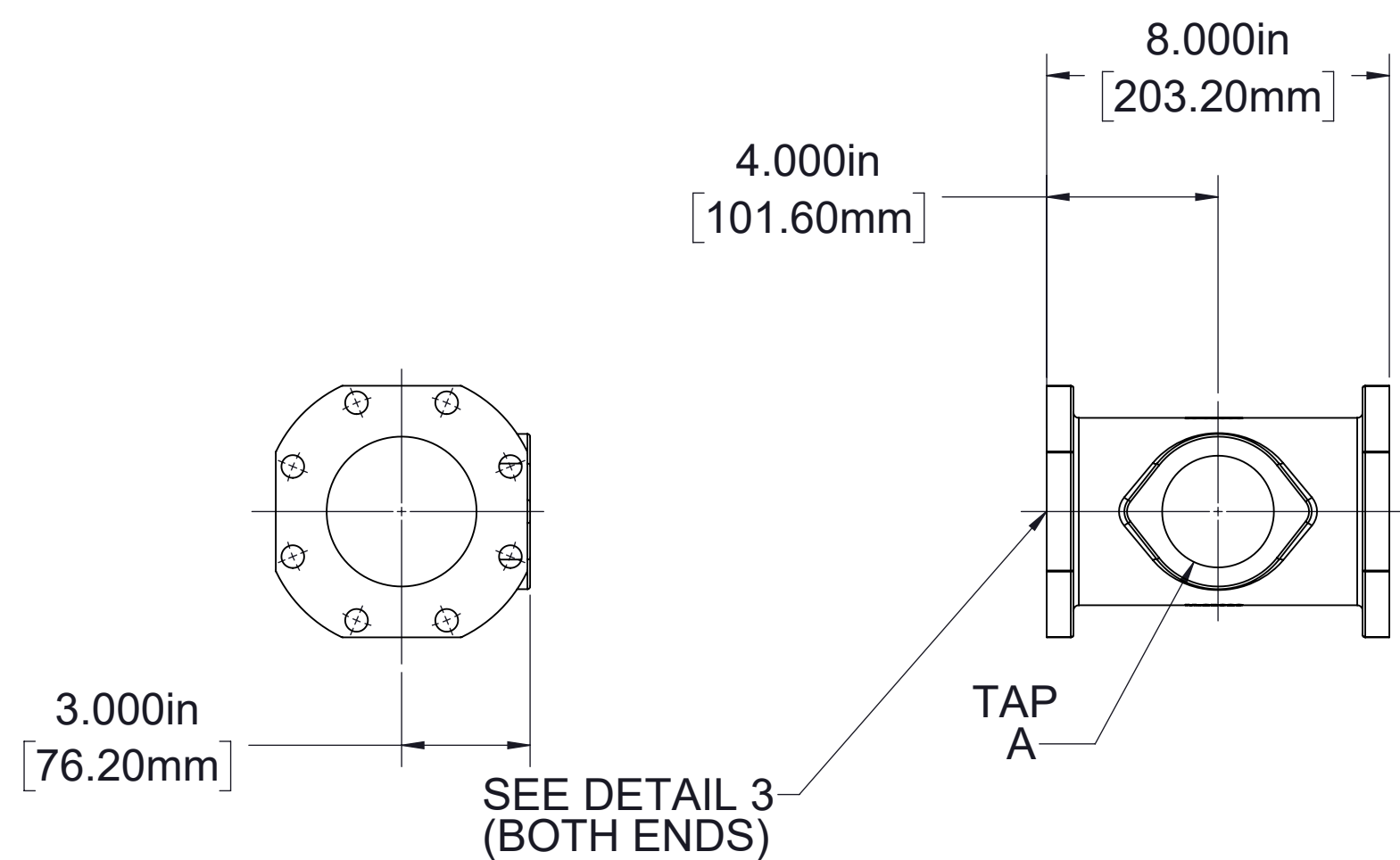
PART NO.	INCLUDES GASKET
70828-A	51195



PART NO.	THREAD SIZE	D	INCLUDES GASKET
72072-A	3-1/2 IN. NH	4.250/107.95	51195
72071-A	4 IN. NH	4.750/120.65	

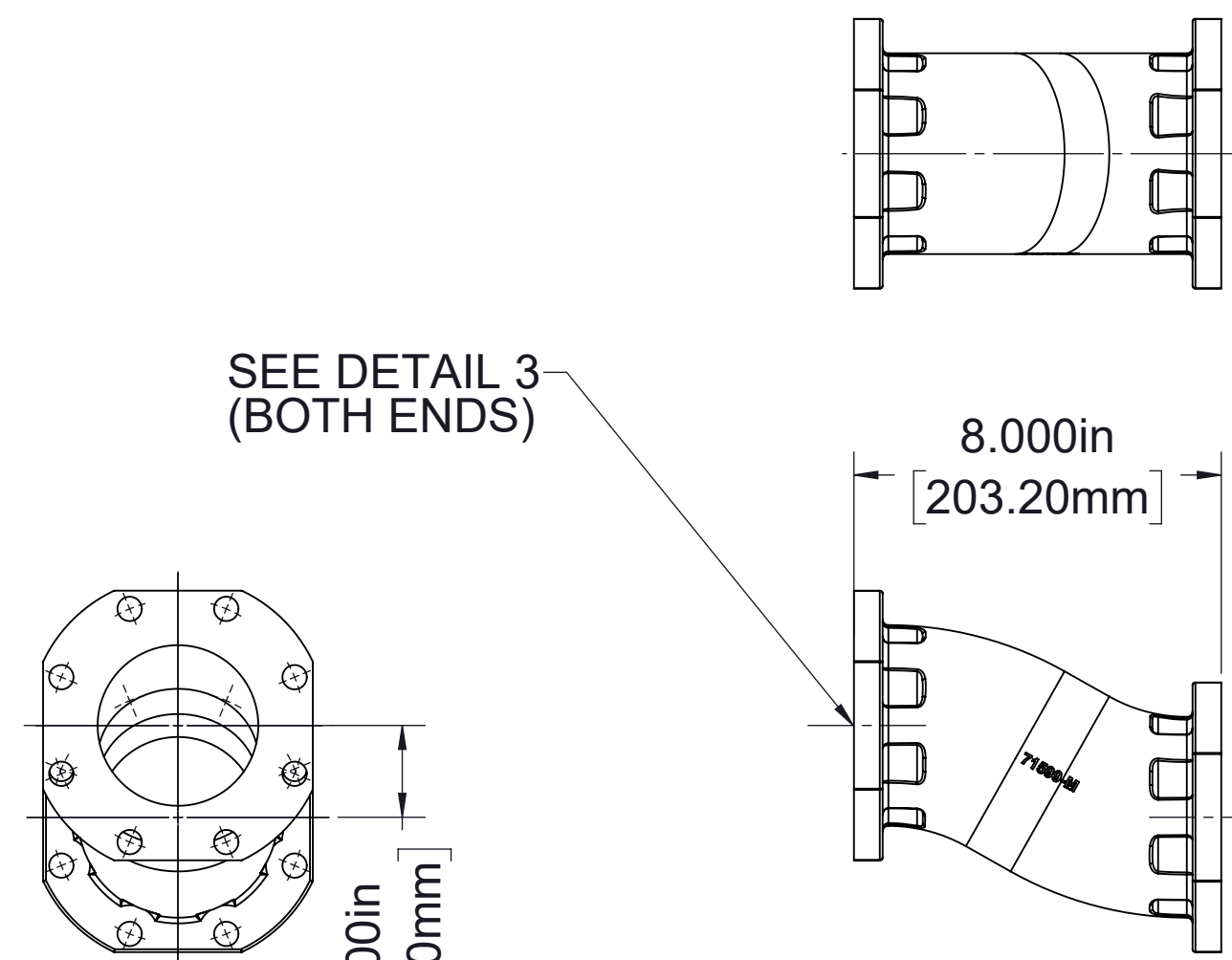


PART NO.	INCLUDES GASKET
71597-A	51195

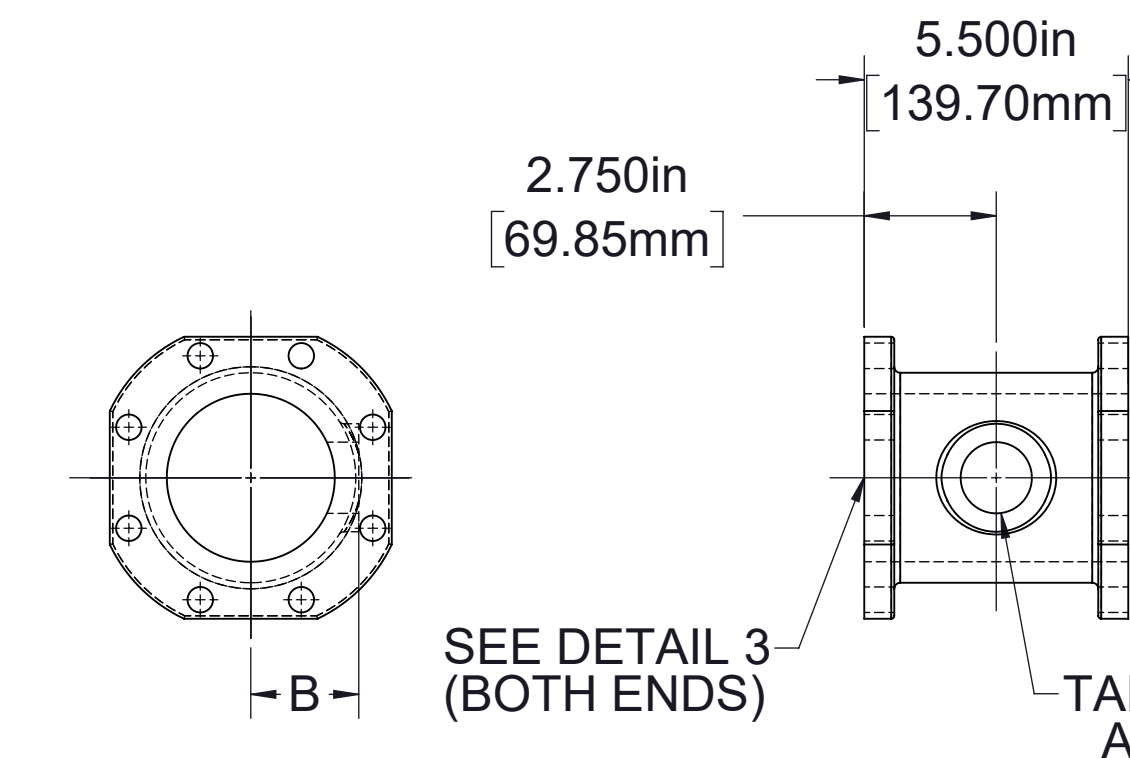


PART NO.	TAP A	INCLUDES GASKET
62052-A	---	51195
*62052-1A	2-1/2 NPT	

\*AVAILABLE IN IRON ONLY

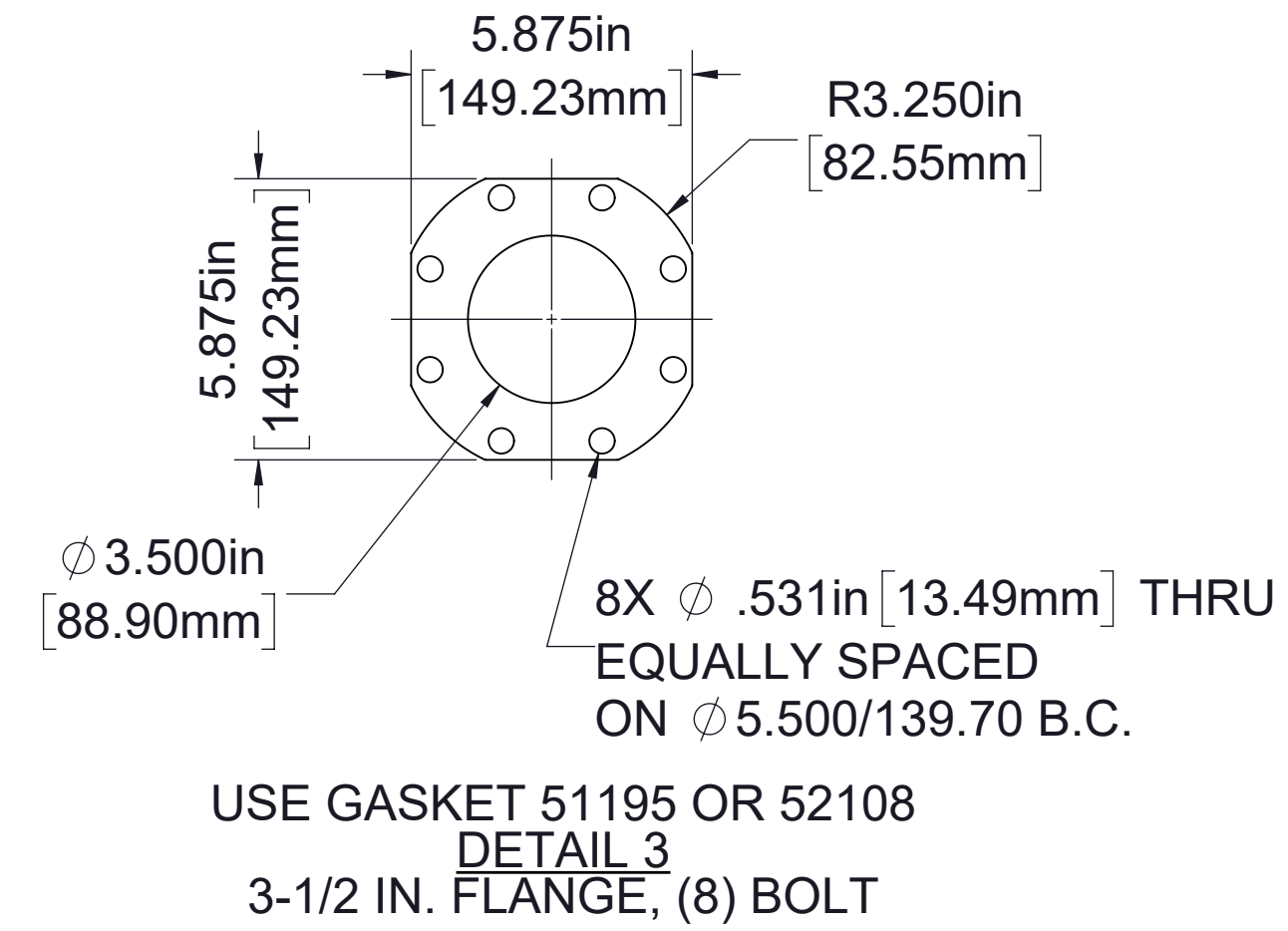


PART NO.	INCLUDES GASKET
71599-A	51195

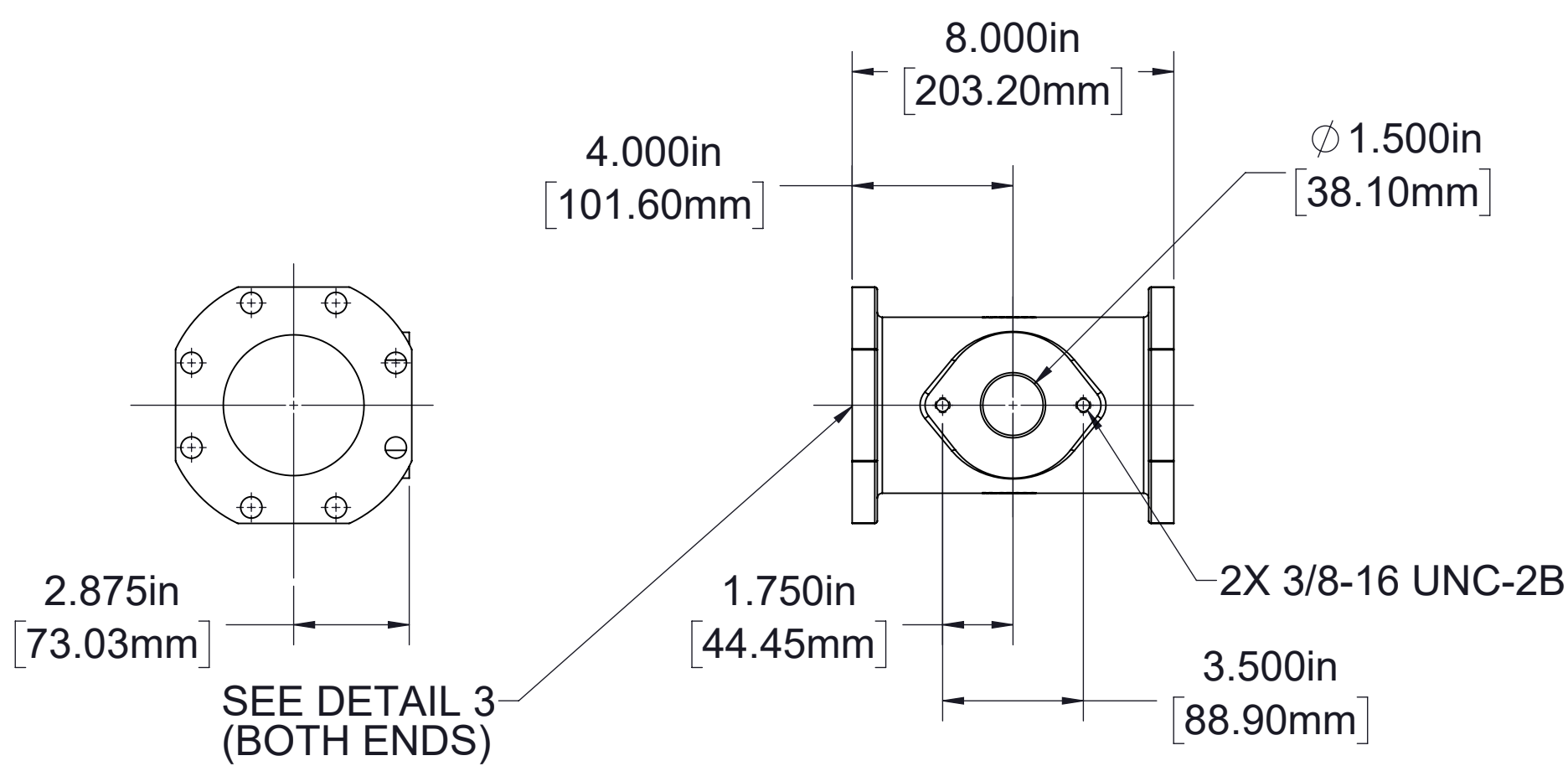


PART NO.	TAP A	B	INCLUDES GASKET
72067-A	1-1/4 11-1/2 NPSM	2.250/57.15	51195
72067-1A	1-1/4 NPT	2.375/60.33	
*72540-A	---	---	

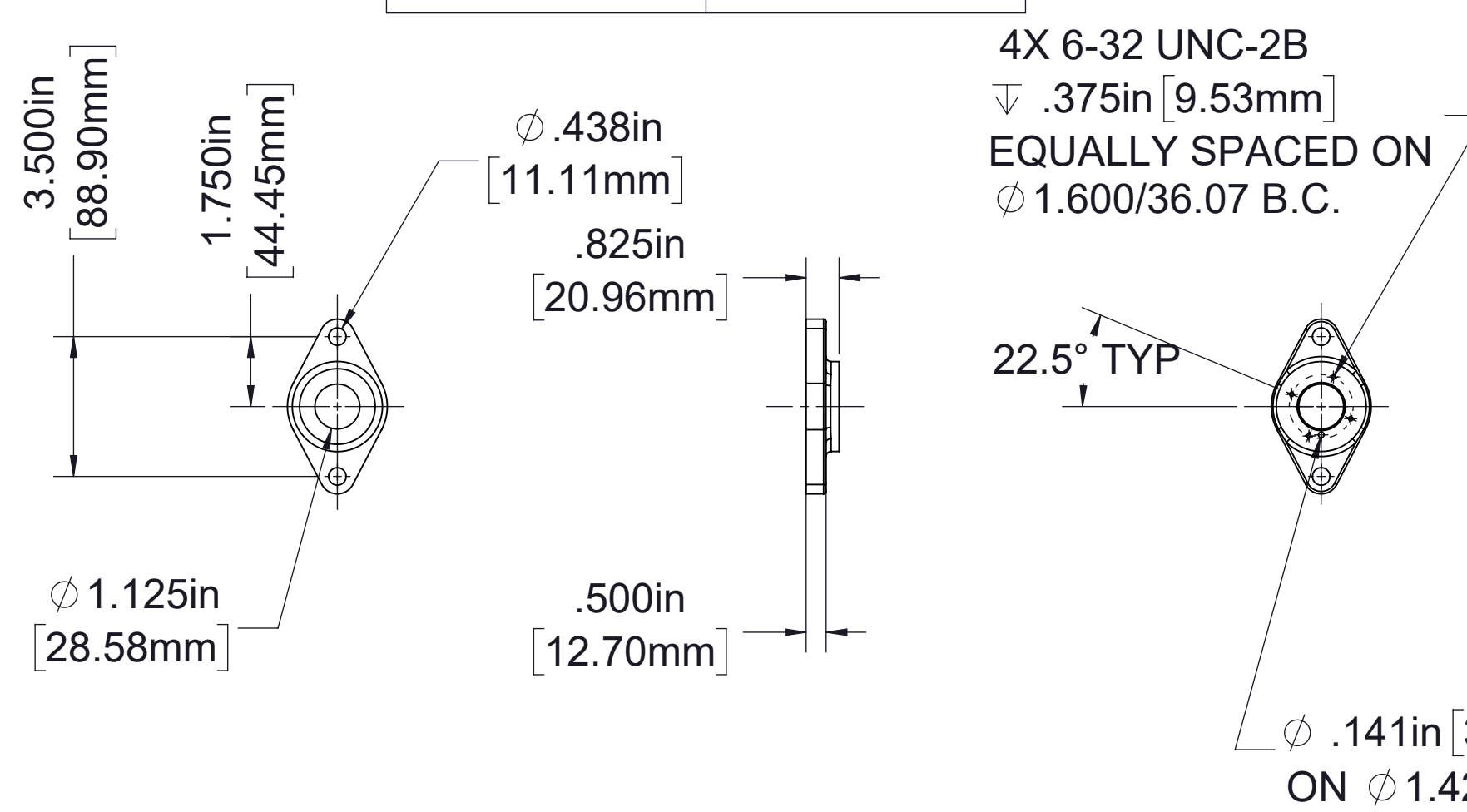
\*AVAILABLE IN IRON ONLY



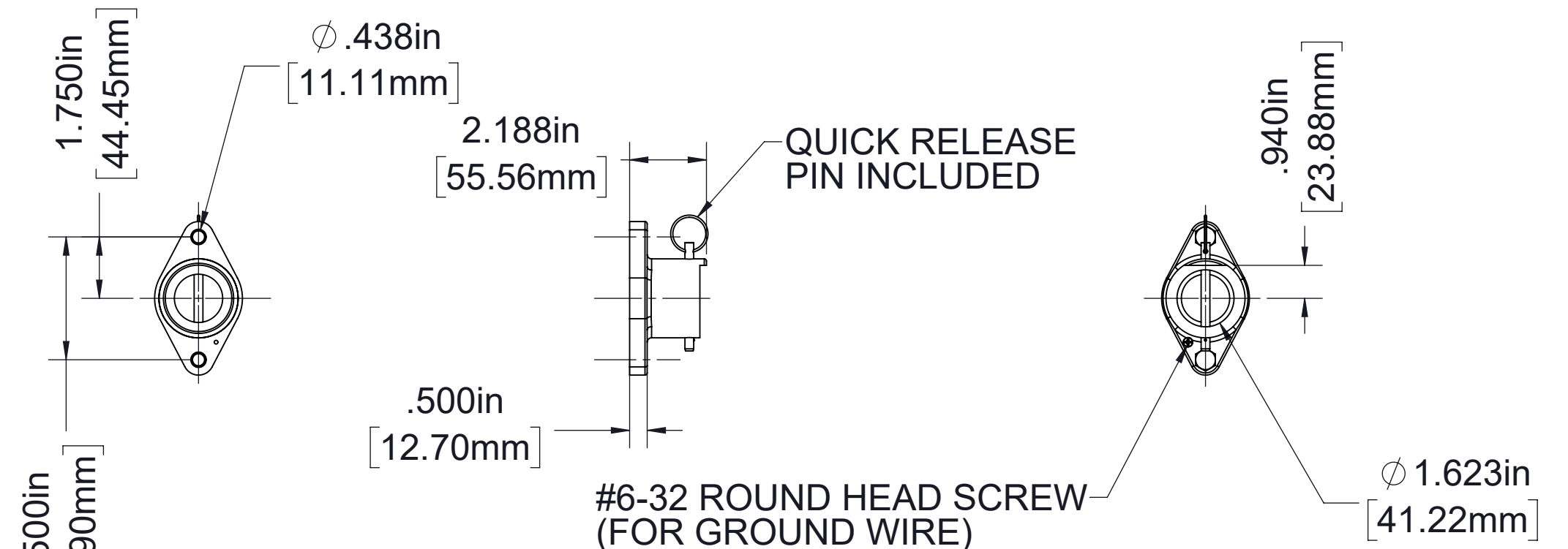
USE GASKET 51195 OR 52108  
DETAIL 3  
3-1/2 IN. FLANGE, (8) BOLT



PART NO.	DESCRIPTION	INCLUDES GASKET
62551-A	EXTENSION WITH FLOWMETER PAD	51195



PART NO.	DESCRIPTION	INCLUDES
72985-A	FLOW SENSOR ADAPTER (CLASS 1)	W3732-4 O-RING WITH MOUNTING HARDWARE

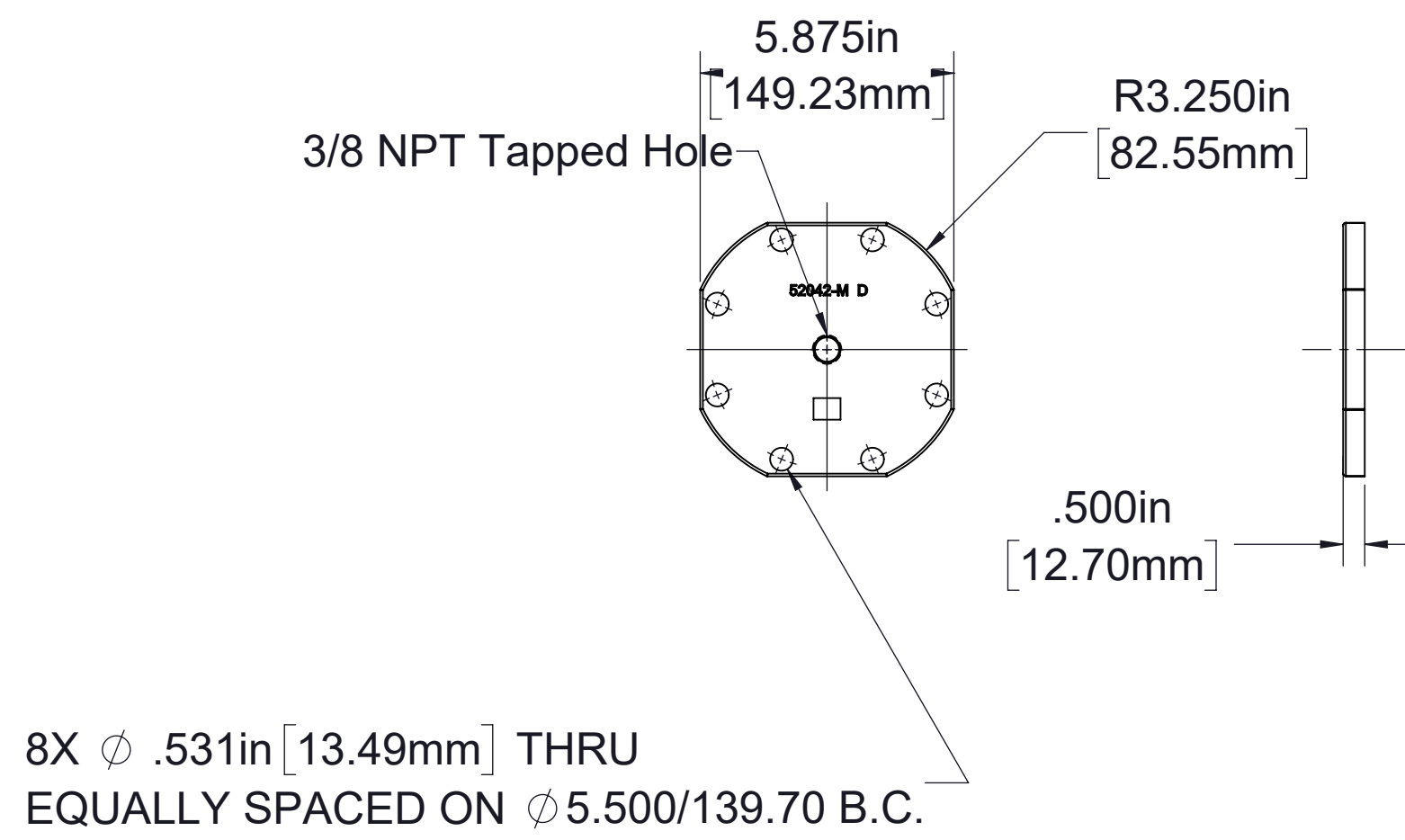


PART NO.	DESCRIPTION	INCLUDES
72571-A	FLOW SENSOR ADAPTER (FOAMPRO FLOWMETER)	W3732-4 O-RING WITH MOUNTING HARDWARE

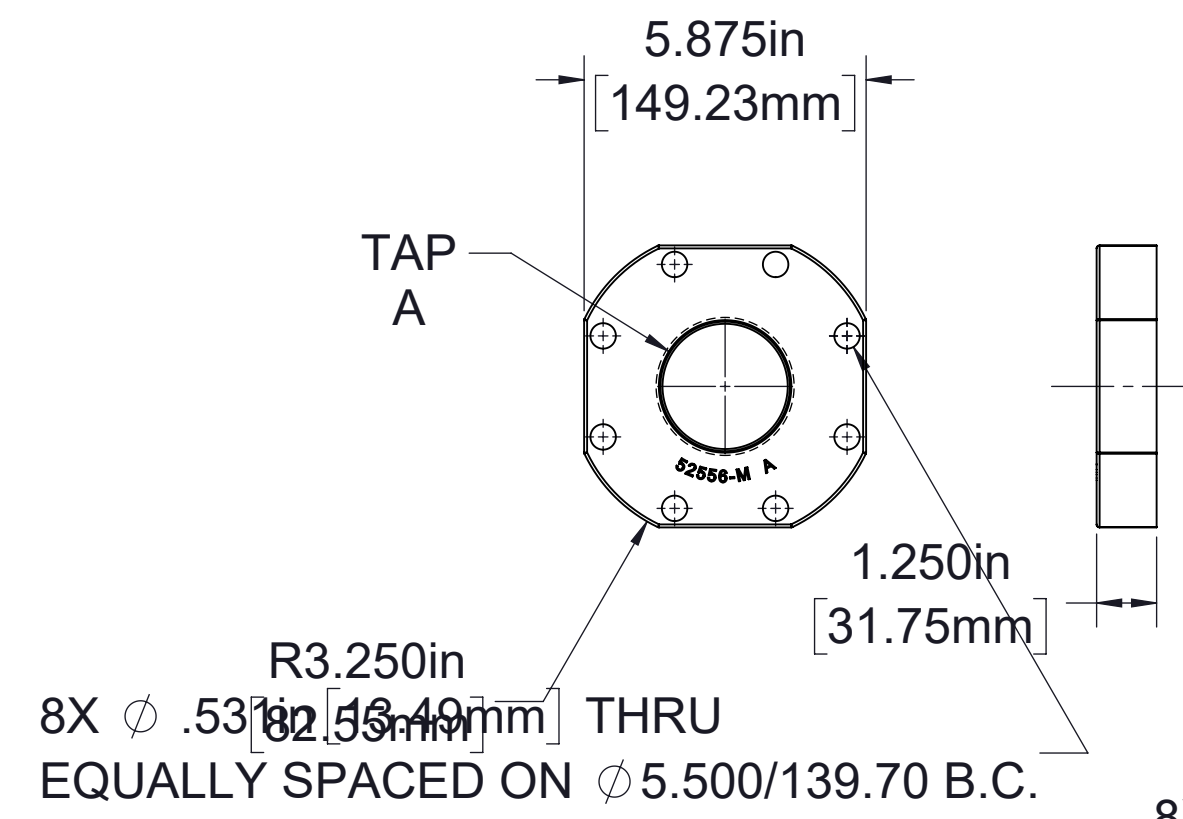
- NOTES:  
 1. ALL FITTINGS ARE AVAILABLE IN IRON OR BRONZE UNLESS OTHERWISE SPECIFIED, ADD "-BZ" SUFFIX TO PART NUMBER FOR BRONZE FITTINGS.  
 2. SPECIFY WHERE EACH FITTING IS TO BE MOUNTED. ALL FITTINGS INCLUDE GASKET AND MOUNTING HARDWARE.  
 3. ALL DIMENSIONS SHOWN AS INCH/MILLIMETER.

**TYPE 8 - FITTINGS FOR 3, 3-1/2, OR 4 IN. 8-BOLT MACHINED PADS**

**FLANGES**

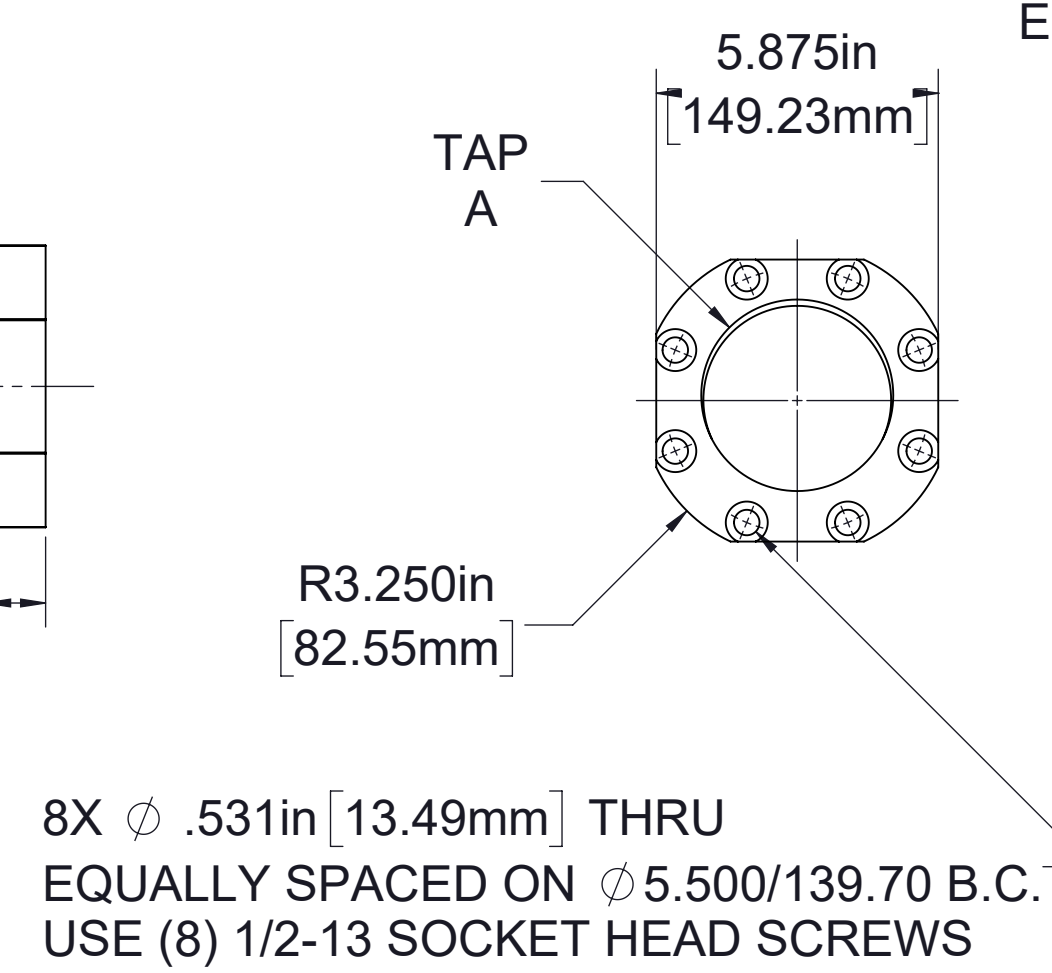


PART NO.	DESCRIPTION	DRAIN TAP A	INCLUDES GASKET
52042-1A	BLIND FLANGE WITH DRAIN	3/8 NPT	51195



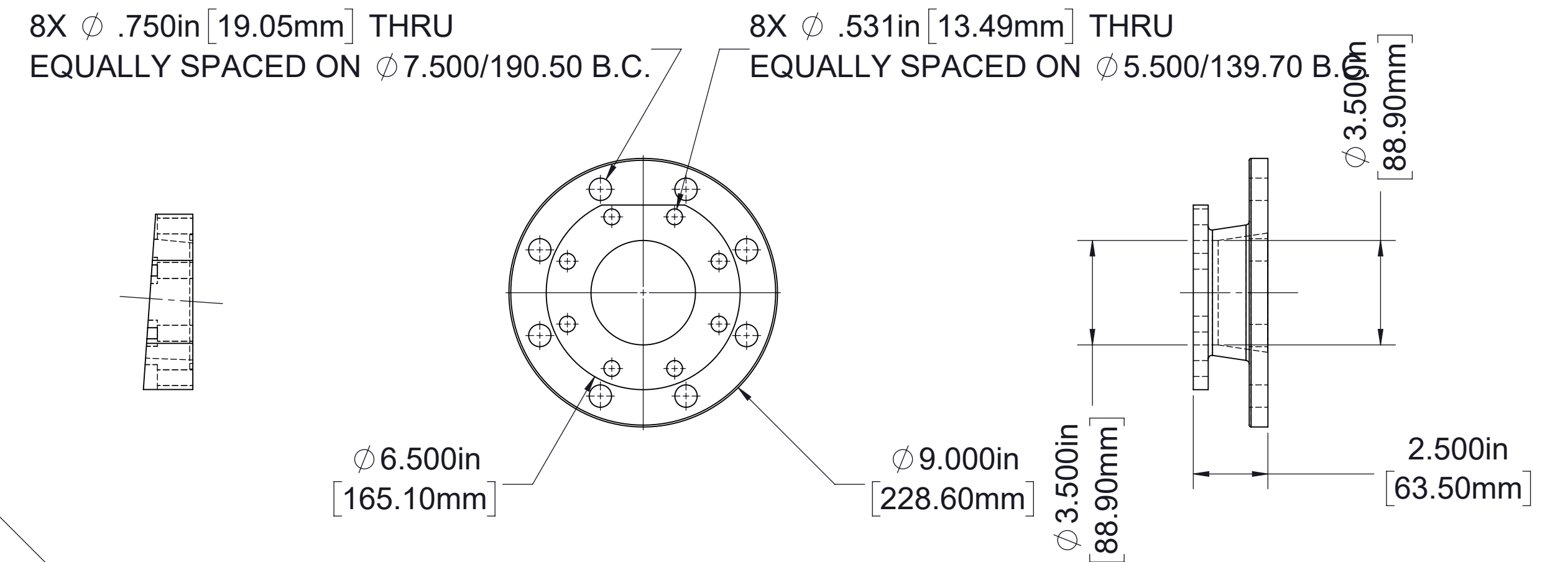
PART NO.	DESCRIPTION	TAP A	INCLUDES GASKET
*52556-A	TAPPED FLANGE	2-1/2 NPT	51195
*51744-A		3 NPT	
*51744-1A		3-1/2 NPT	
51744-4C		4 NPT	

\*AVAILABLE IN IRON ONLY

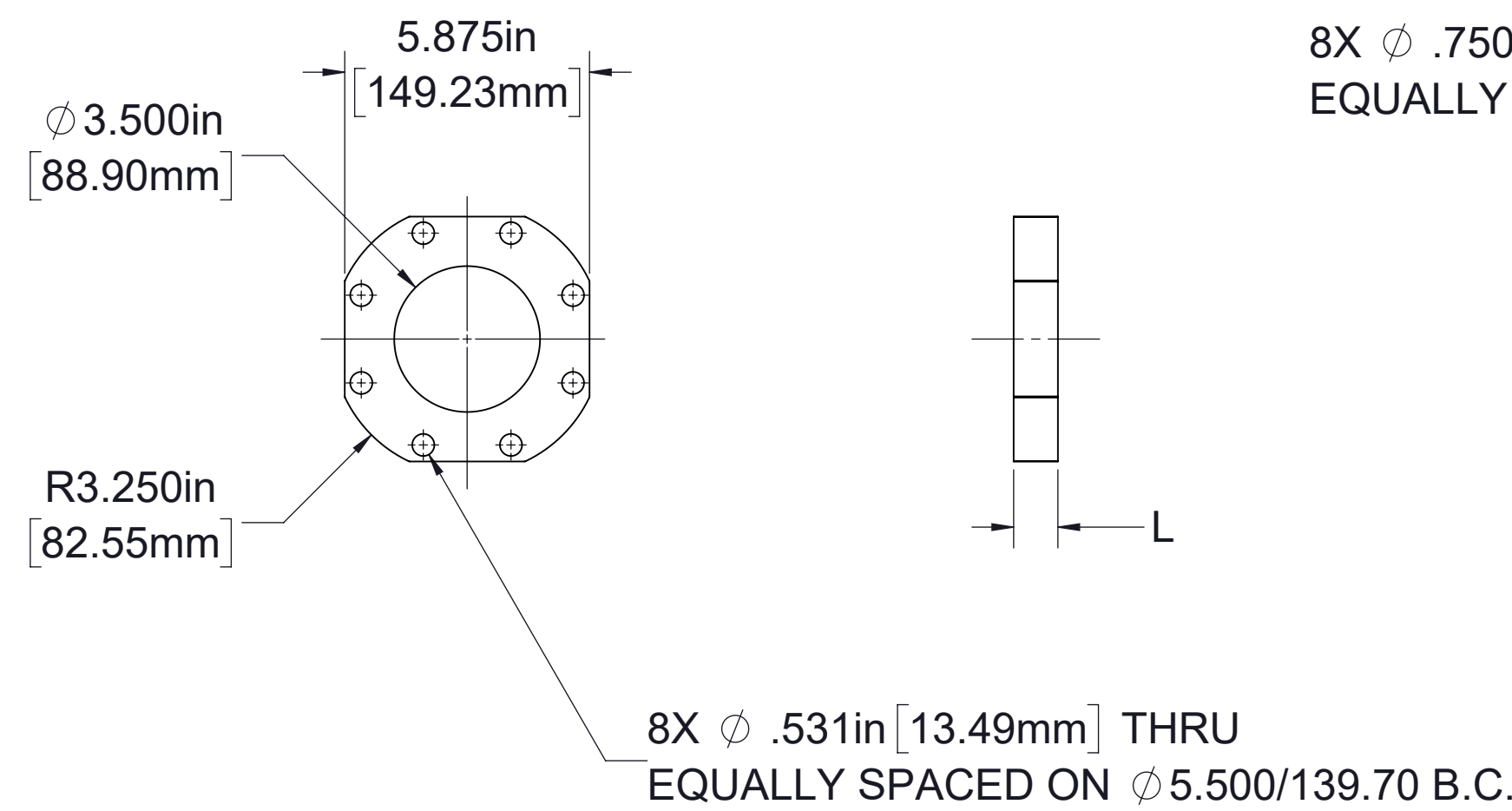


PART NO.	DESCRIPTION	TAP A	INCLUDES GASKET
72098-A	ANGLE COMPENSATED TAPPED FLANGE	3-1/2 NPT	52108
72257-A		3 NPT	
72844-A		3 IN. BSP	

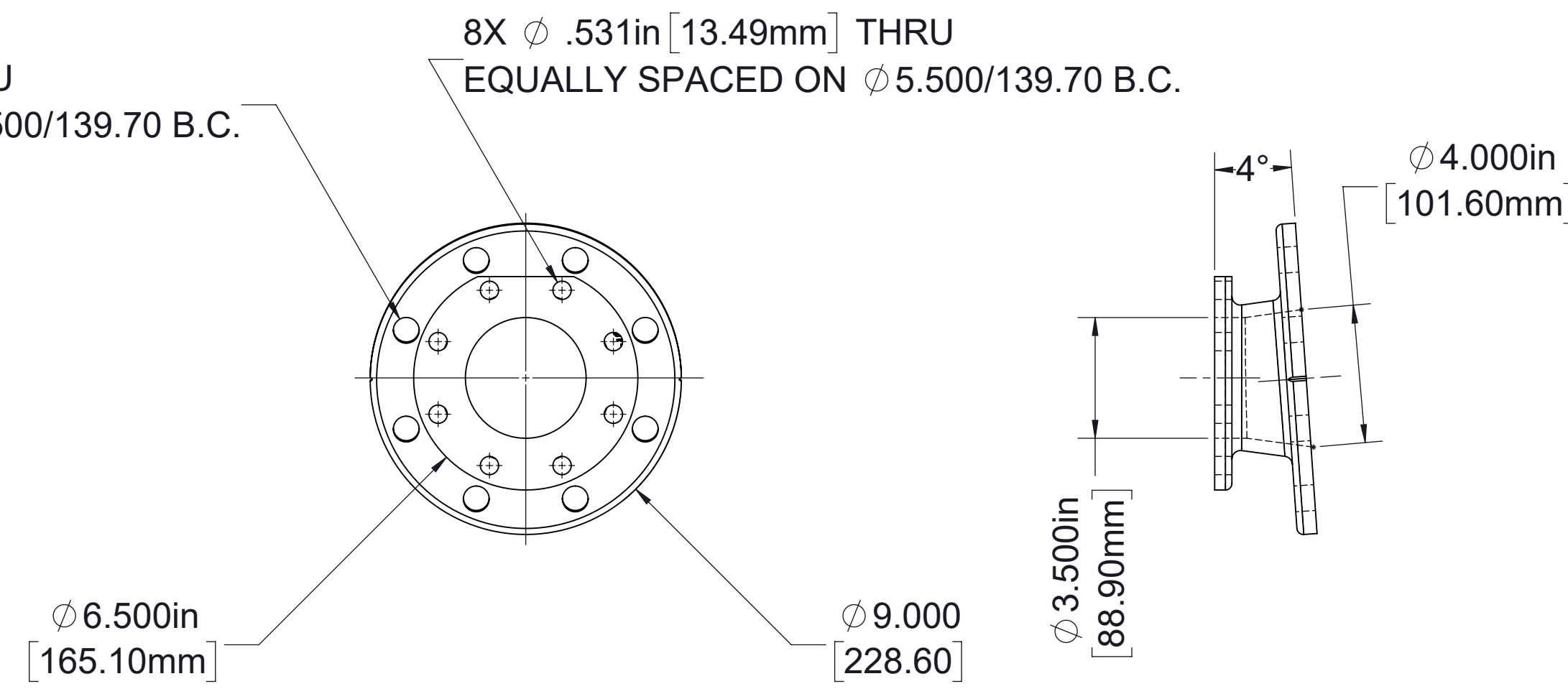
**ADAPTERS**



PART NO.	DESCRIPTION	INCLUDES GASKET
72402-A	WATEROUS 3-1/2 (8) BOLT TO 4 IN. ANSI FLANGE ADAPTER	51195



PART NO.	DESCRIPTION	L	INCLUDES GASKET
51754-A	SPACER	1.062/26.97	51195
52703-A		.750/19.05	



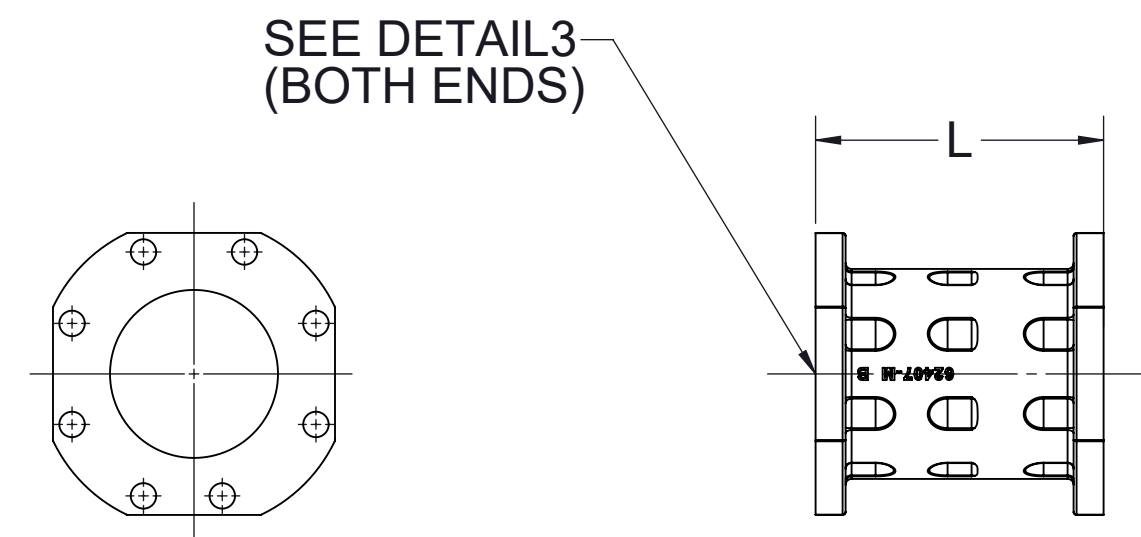
PART NO.	DESCRIPTION	INCLUDES GASKET
72797-A	WATEROUS 3-1/2 (8) BOLT TO 4 IN. ANSI ANGLE COMPENSATED FLANGE ADAPTER	51195

- NOTES:
1. ALL FITTINGS ARE AVAILABLE IN IRON OR BRONZE UNLESS OTHERWISE SPECIFIED, ADD "-BZ" SUFFIX TO PART NUMBER FOR BRONZE FITTINGS.
  2. SPECIFY WHERE EACH FITTING IS TO BE MOUNTED. ALL FITTINGS INCLUDE GASKET AND MOUNTING HARDWARE.
  3. ALL DIMENSIONS SHOWN AS INCH/MILLIMETER.

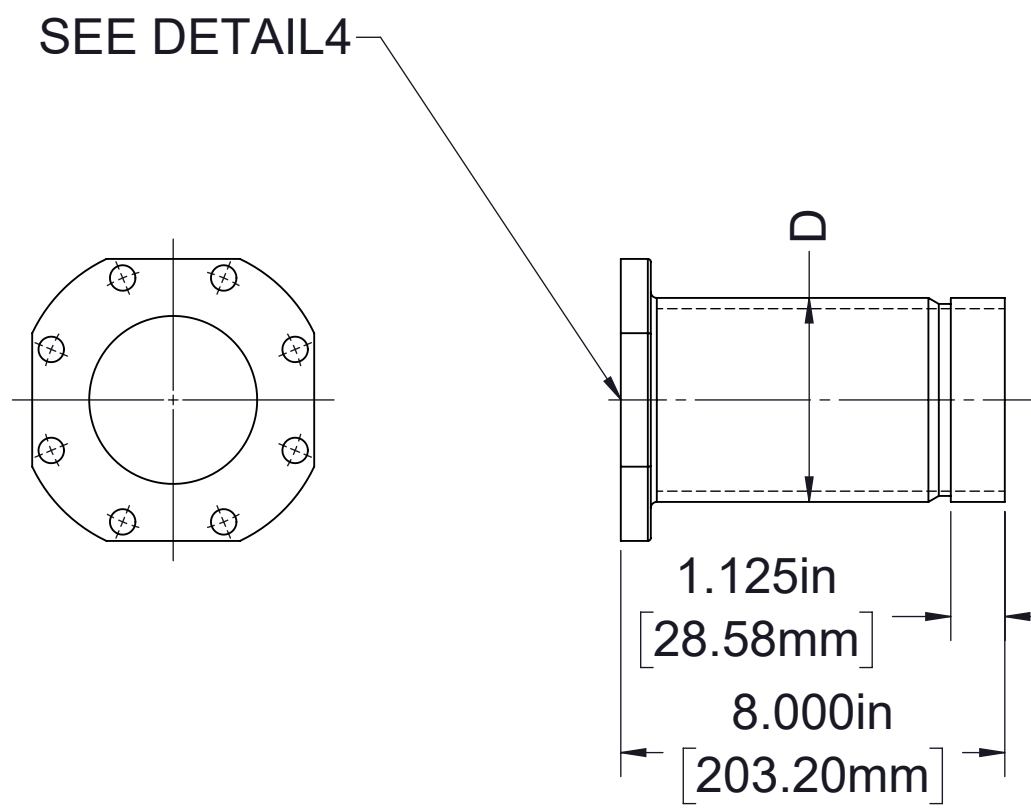


**TYPE 8 - FITTINGS FOR 3, 3-1/2, OR 4 IN. 8-BOLT MACHINED PADS**

**EXTENSIONS**

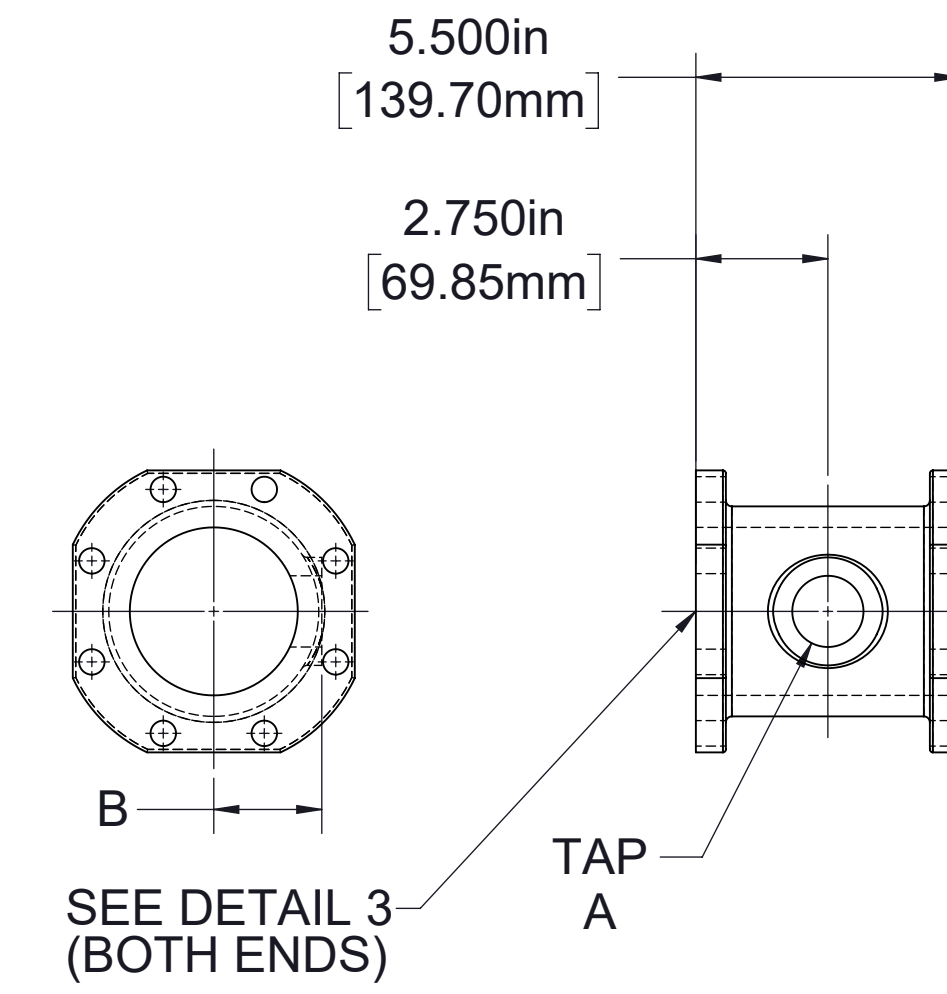


PART NO.	L	INCLUDES GASKET
62407-A	6.000/152.40	51195
62408-A	4.000/101.60	



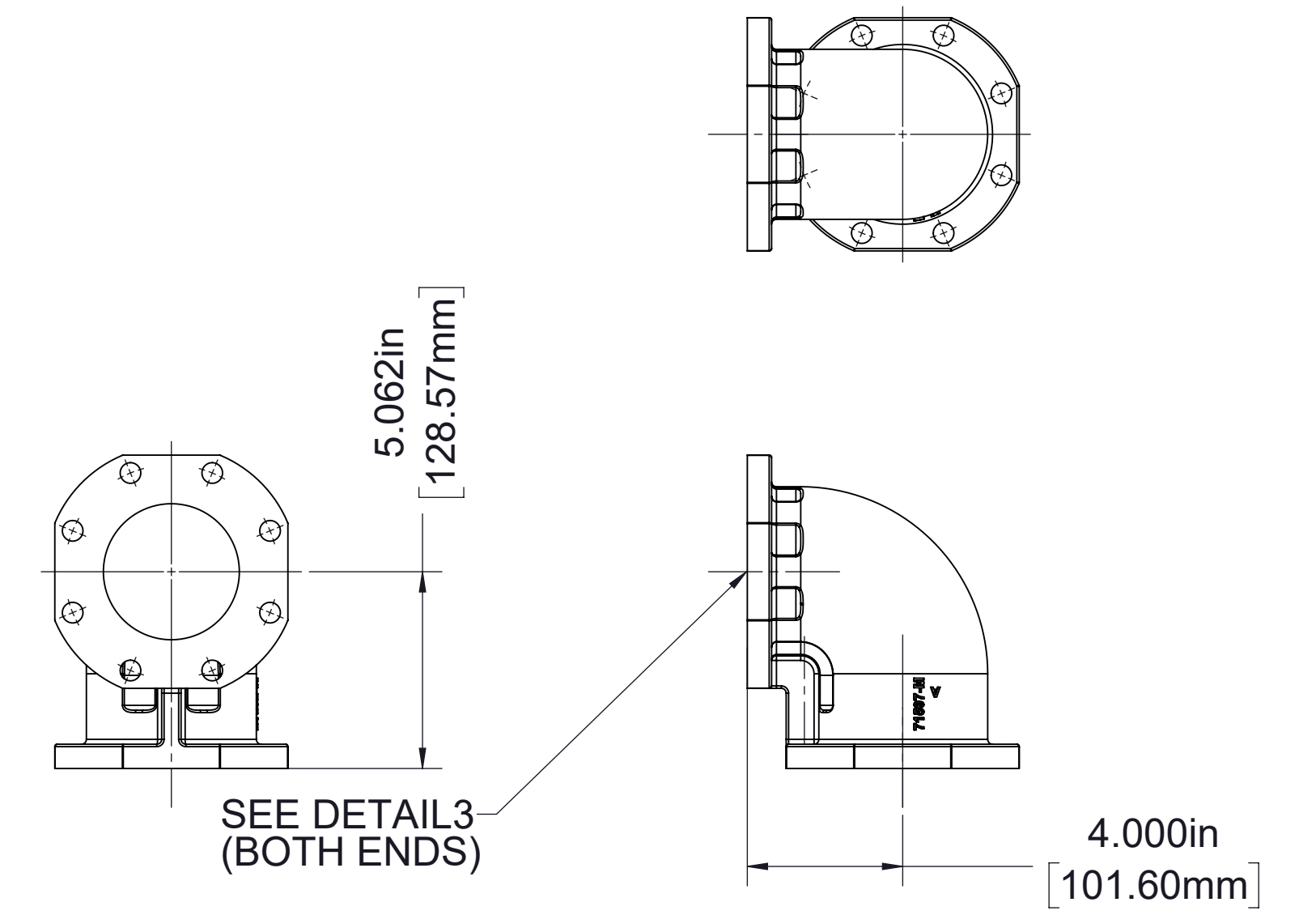
**THREADED EXTENSIONS**

PART NO.	THREAD SIZE	D	INCLUDES GASKET
72072-A	3-1/2 IN. NH	4.250/107.95	51195
72071-A	4 IN. NH	4.750/120.65	



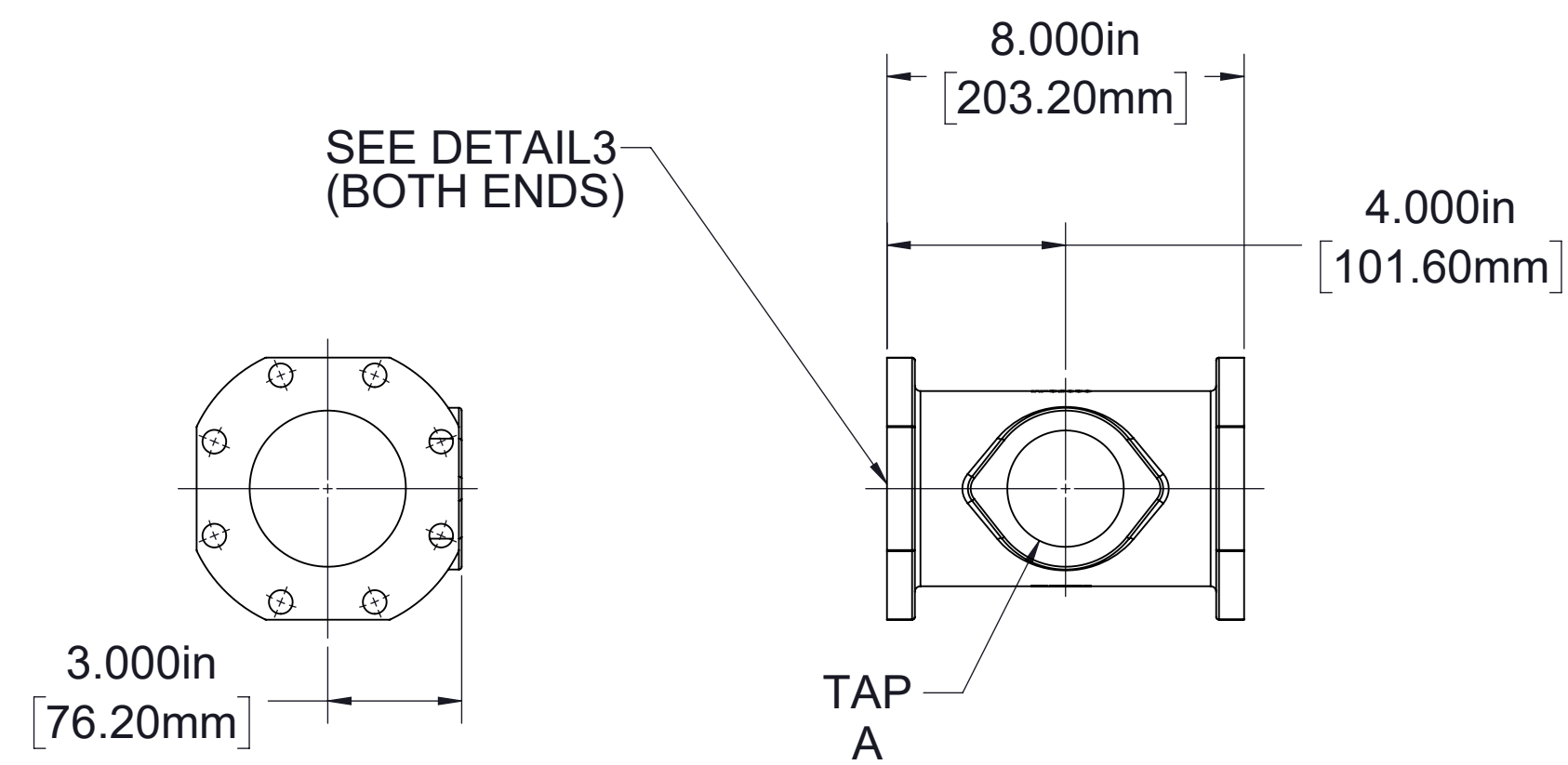
PART NO.	TAP A	B	INCLUDES GASKET
*72540-A	---	---	51195

**ELBOWS**



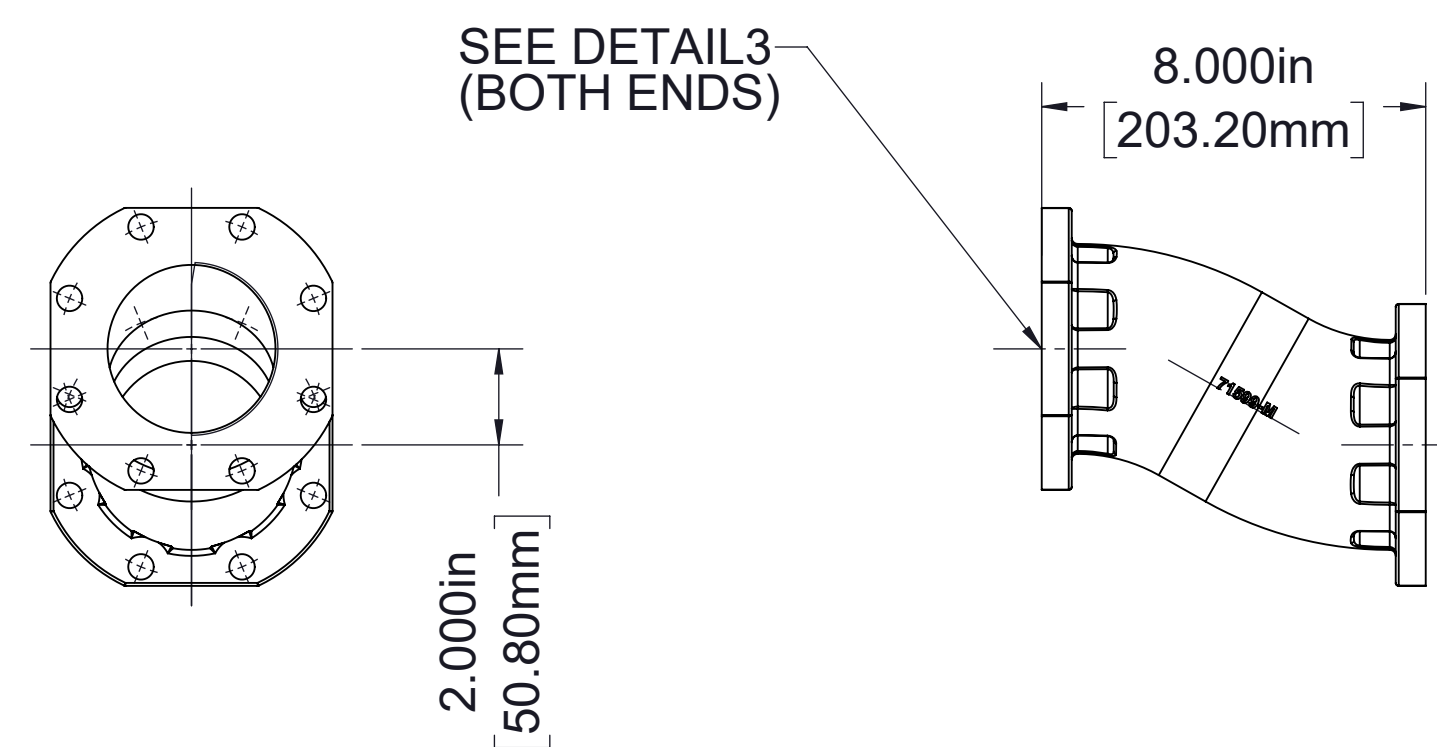
PART NO.	INCLUDES GASKET
71597-A	51195

\*AVAILABLE IN IRON ONLY

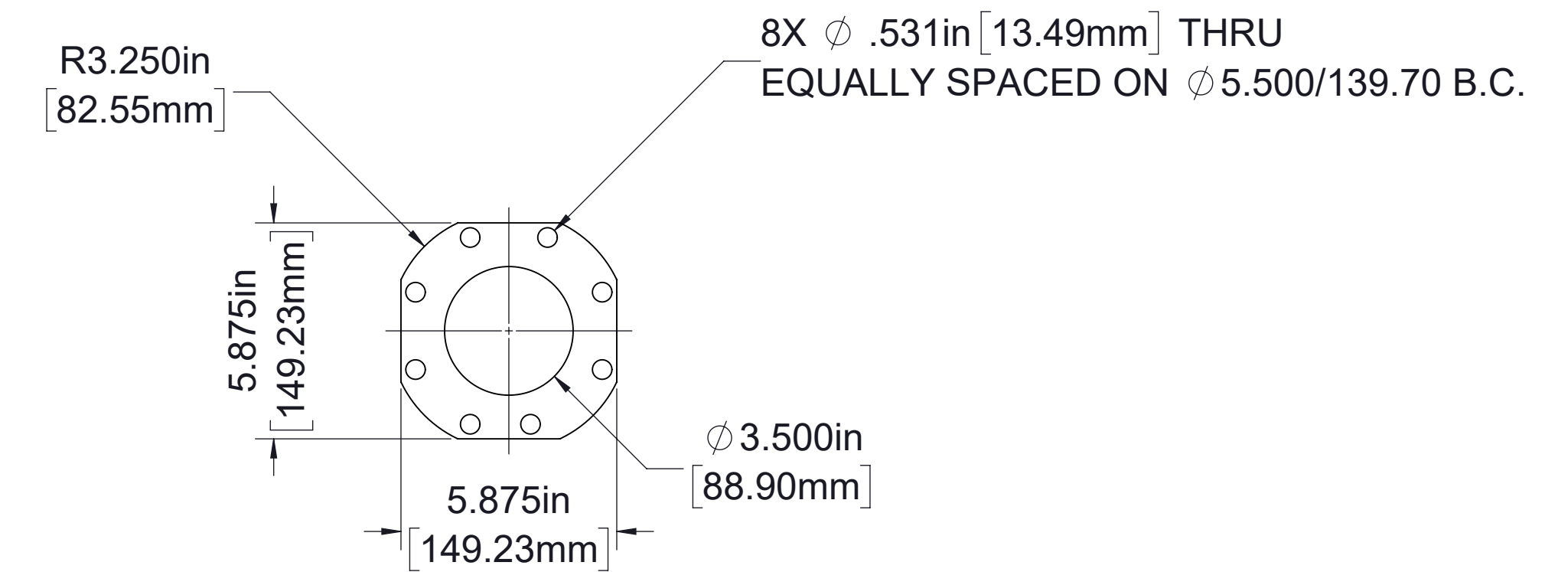


PART NO.	TAP A	INCLUDES GASKET
62052-A	2-1/2 NPT	51195

AVAILABLE IN IRON ONLY



PART NO.	INCLUDES GASKET
71599-A	51195

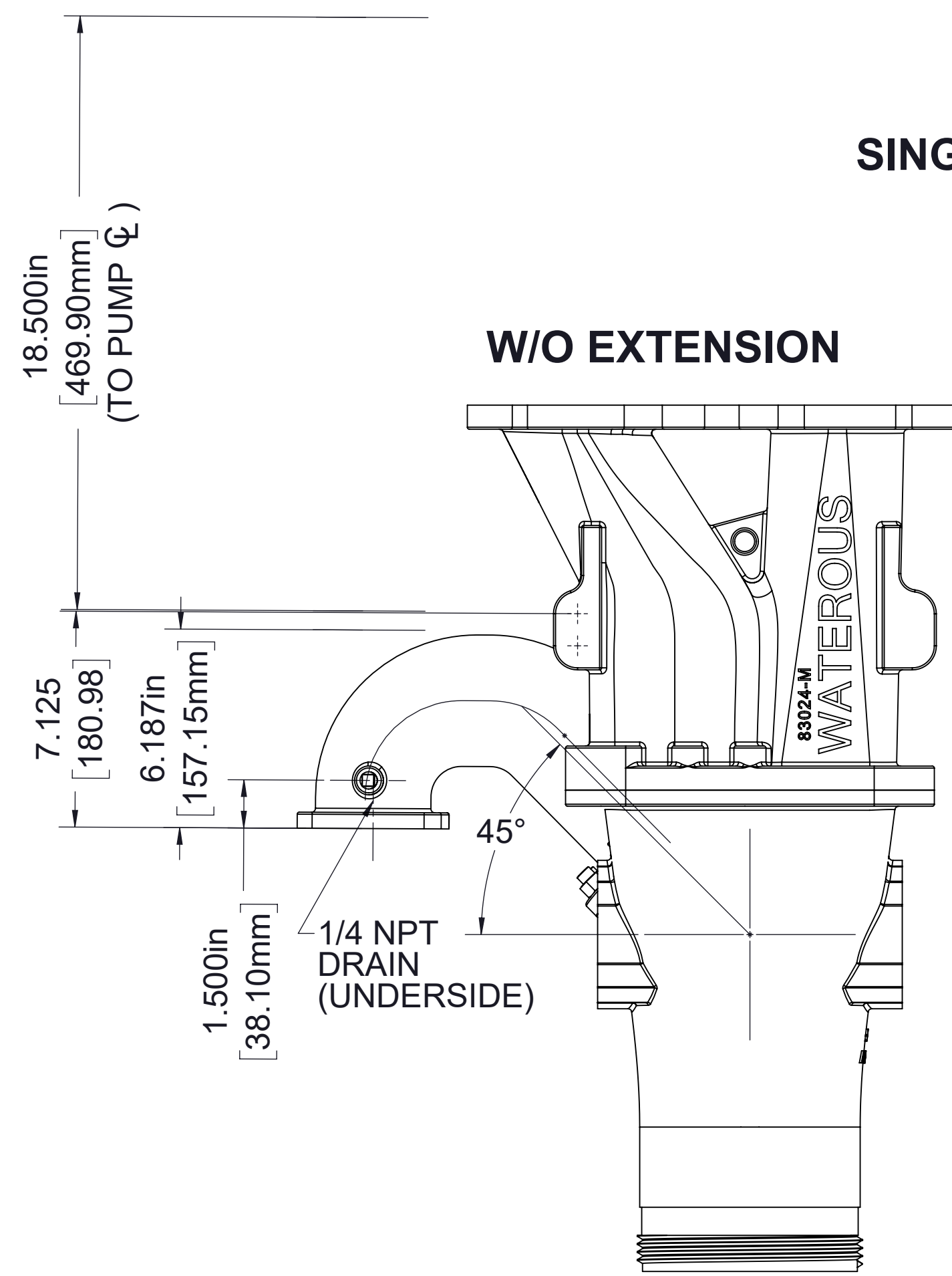


USE GASKET 51195 OR 52108  
DETAIL 3  
3-1/2 IN. FLANGE, (8) BOLT  
(WITH THRU HOLES)

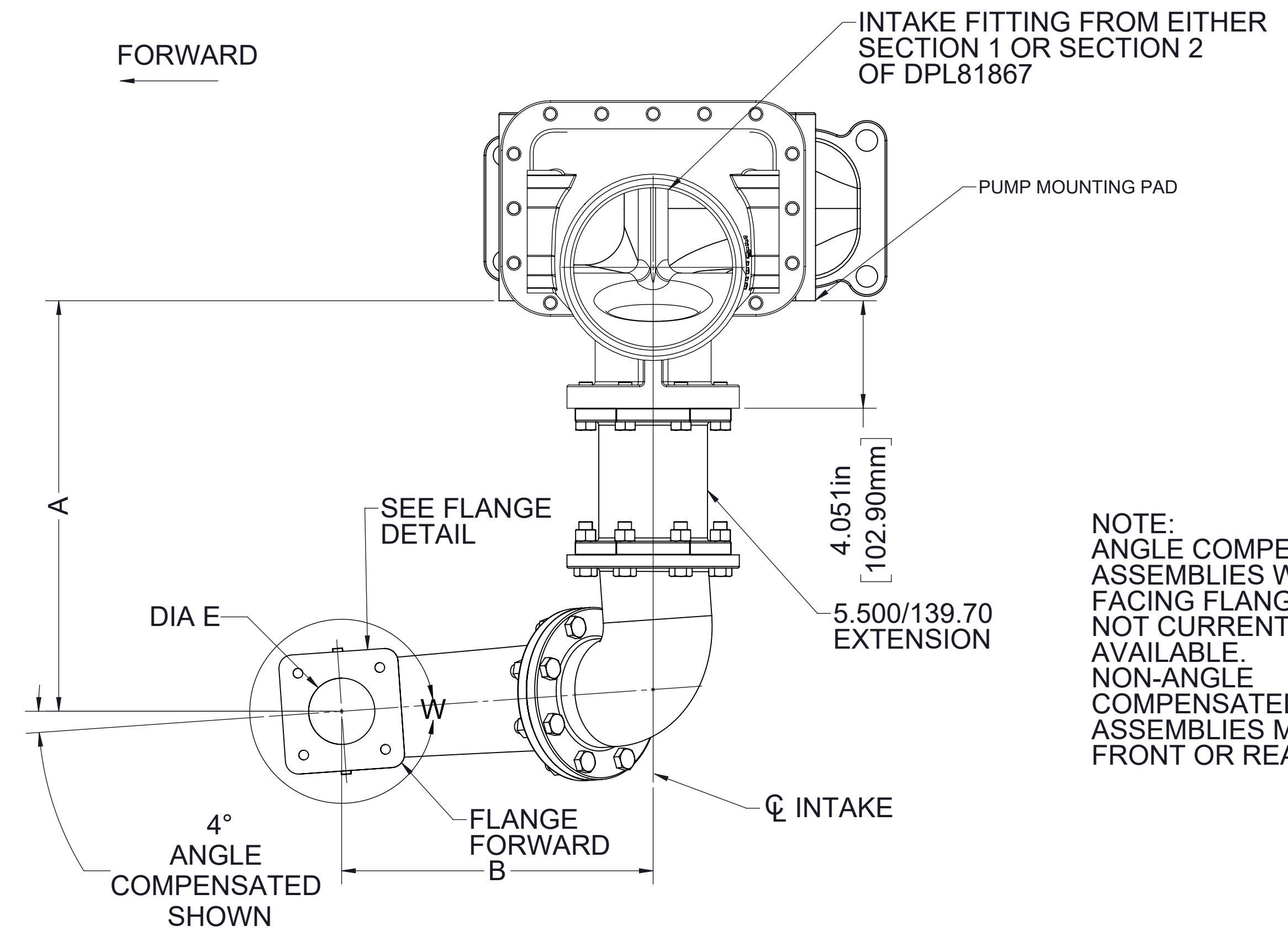
- NOTES:
1. ALL FITTINGS ARE AVAILABLE IN IRON OR BRONZE UNLESS OTHERWISE SPECIFIED, ADD "-BZ" SUFFIX TO PART NUMBER FOR BRONZE FITTINGS.
  2. SPECIFY WHERE EACH FITTING IS TO BE MOUNTED. ALL FITTINGS INCLUDE GASKET AND MOUNTING HARDWARE.
  3. ALL DIMENSIONS SHOWN AS INCH/MILLIMETER.



**TYPE 8 - FITTINGS FOR 3, 3-1/2, OR 4 IN. 8-BOLT MACHINED PADS  
SINGLE INTAKE MANIFOLD ASSEMBLY 81990 (AVAILABLE ON INTAKE FITTINGS ONLY)**

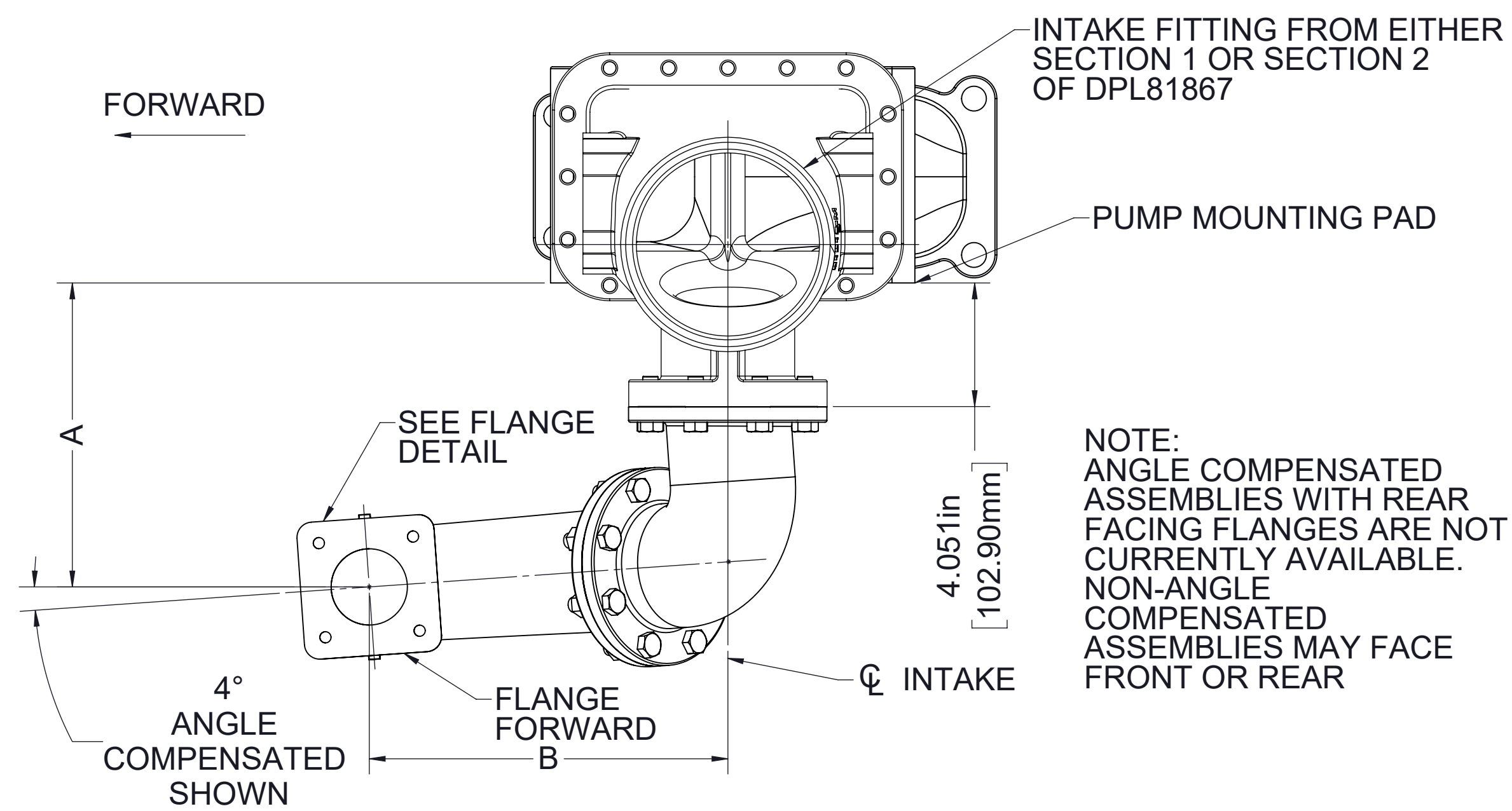


**WITH EXTENSION**

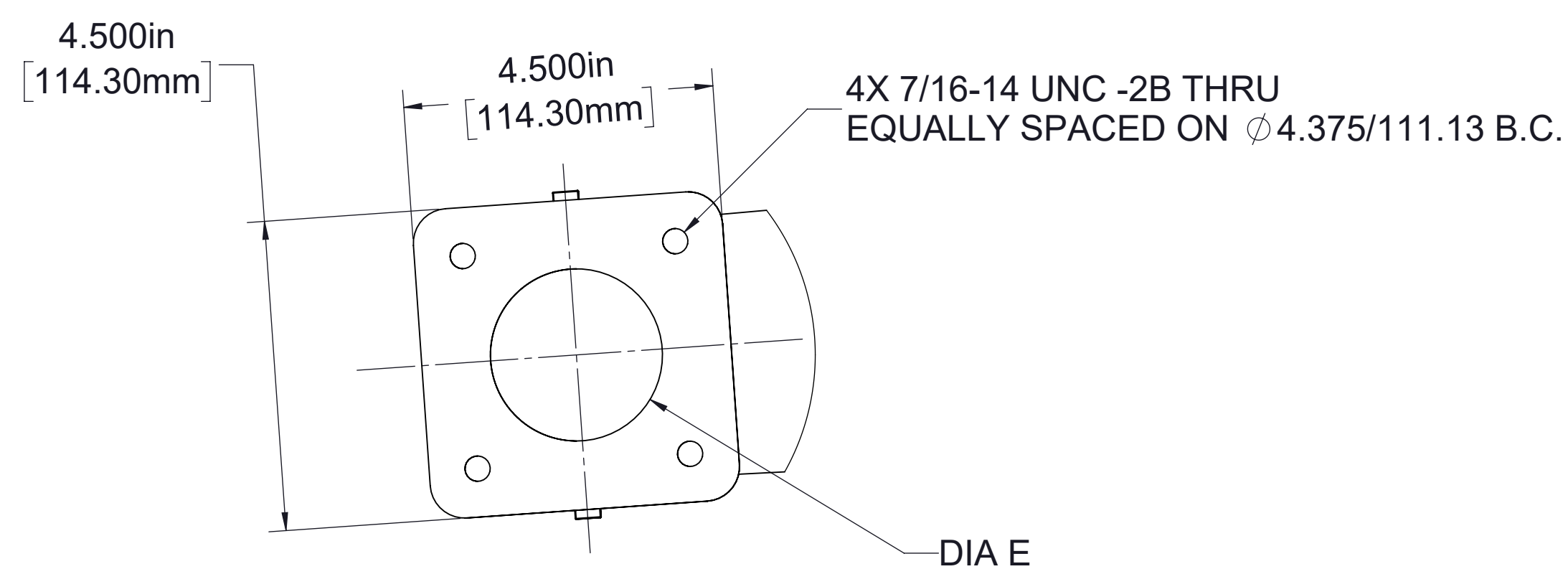


NOTE:  
ANGLE COMPENSATED ASSEMBLIES WITH REAR FACING FLANGES ARE NOT CURRENTLY AVAILABLE. NON-ANGLE COMPENSATED ASSEMBLIES MAY FACE FRONT OR REAR

NOTES:  
1. LEFT SIDE MOUNTING IS SHOWN IN DETAILS ABOVE.  
2. IRON ASSEMBLIES ARE ONLY AVAILABLE AT THIS TIME.



NOTE:  
ANGLE COMPENSATED ASSEMBLIES WITH REAR FACING FLANGES ARE NOT CURRENTLY AVAILABLE. NON-ANGLE COMPENSATED ASSEMBLIES MAY FACE FRONT OR REAR

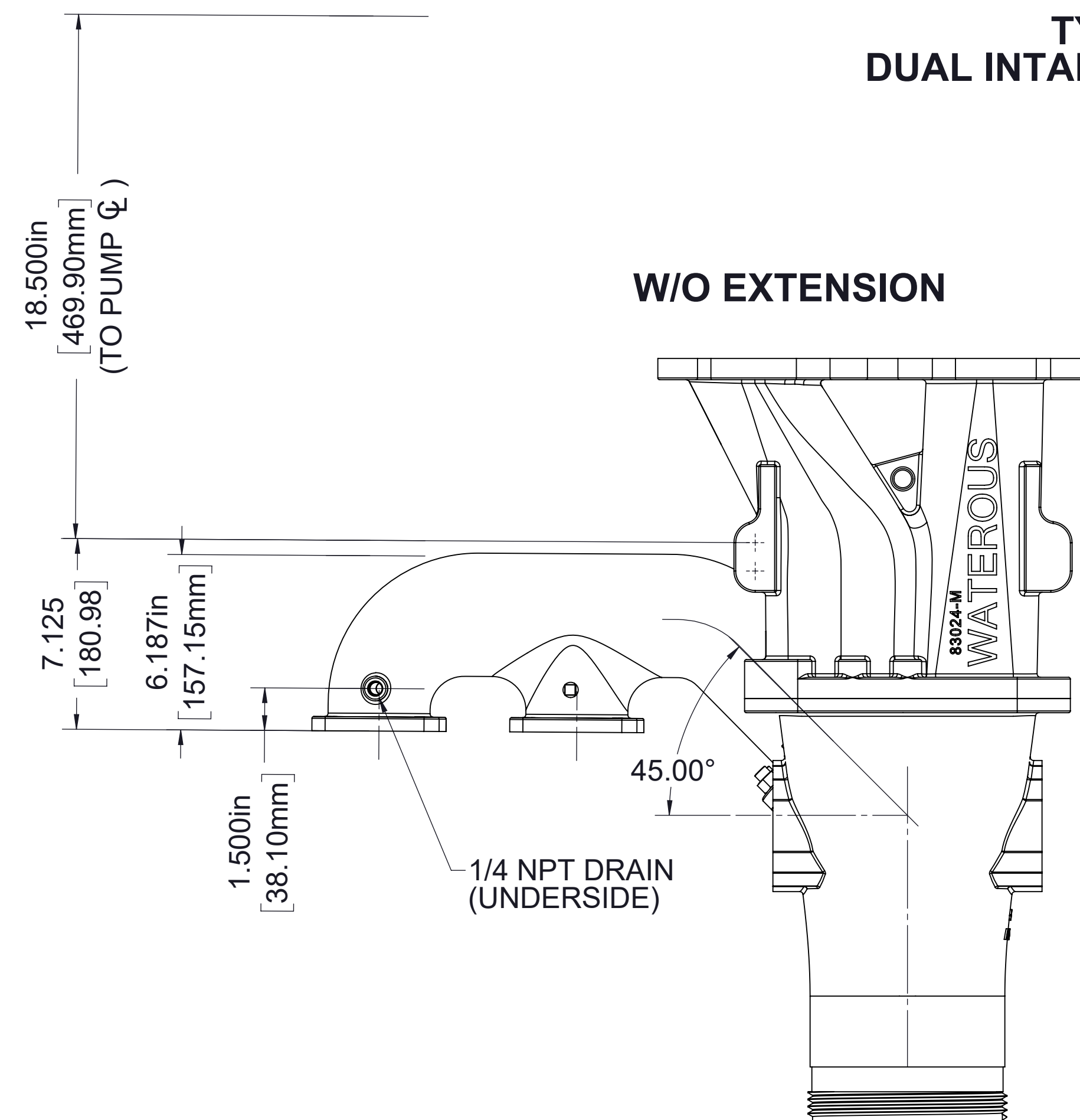


**MANIFOLD FLANGE DETAIL**

4° ANGLE COMPENSATION	MOUNTING	B	DIA E	W/O EXTENSION		WITH EXTENSION	
				ASSEMBLY NO.	A	ASSEMBLY NO.	A
YES	LEFT	11.740/298.20	2.500/63.50	81990-1A	9.946/252.63	81990-2A	15.446/392.33
			3.000/76.20			81990-1B	
	RIGHT		2.500/63.50	81990-1C		81990-2C	
			3.000/76.20	81990-1D		81990-2D	
NO	LEFT OR RIGHT	12.220/310.39	2.500/63.50	81990-1E	9.106/231.29	81990-2E	14.606/370.99
			3.000/76.20			81990-1F	

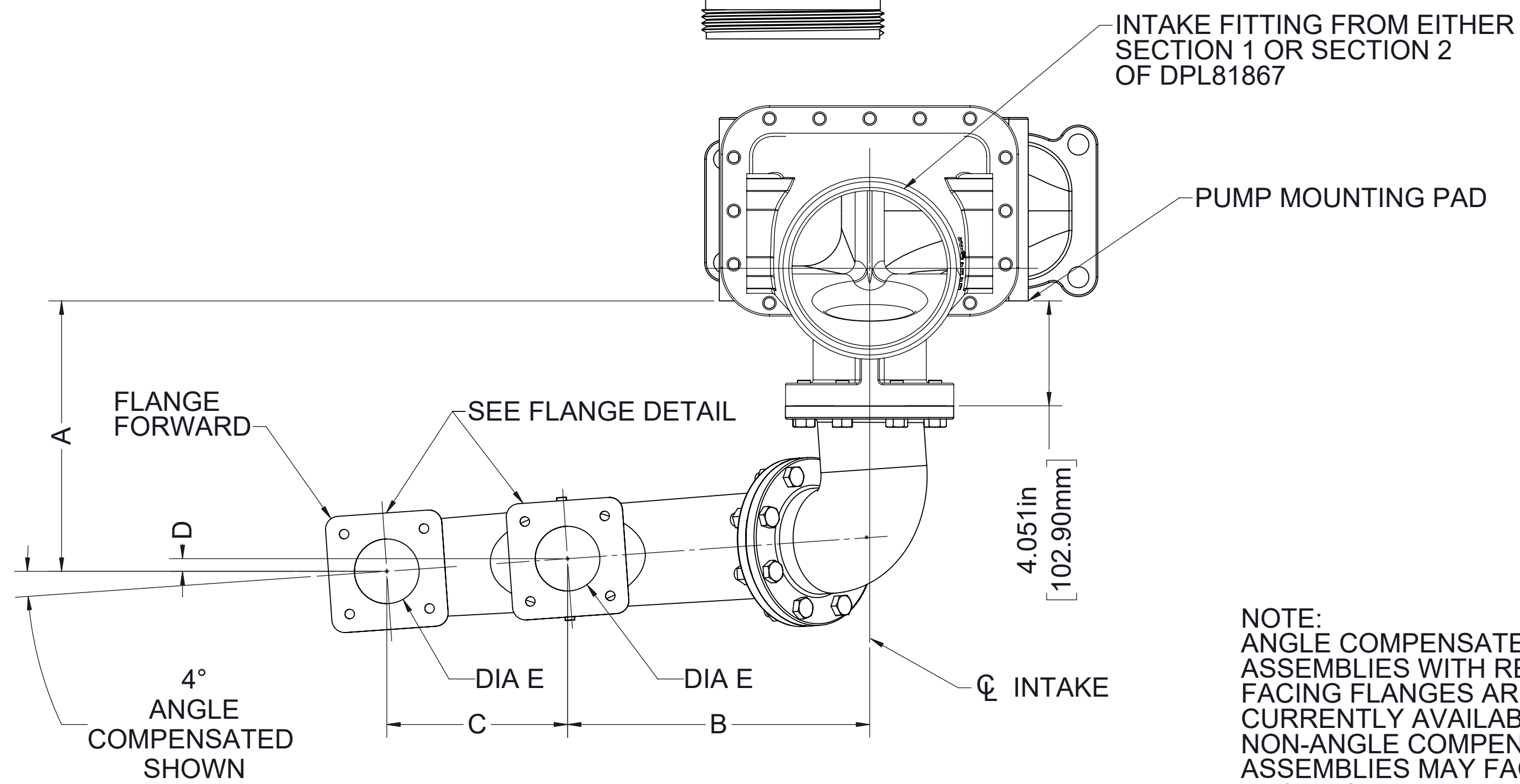
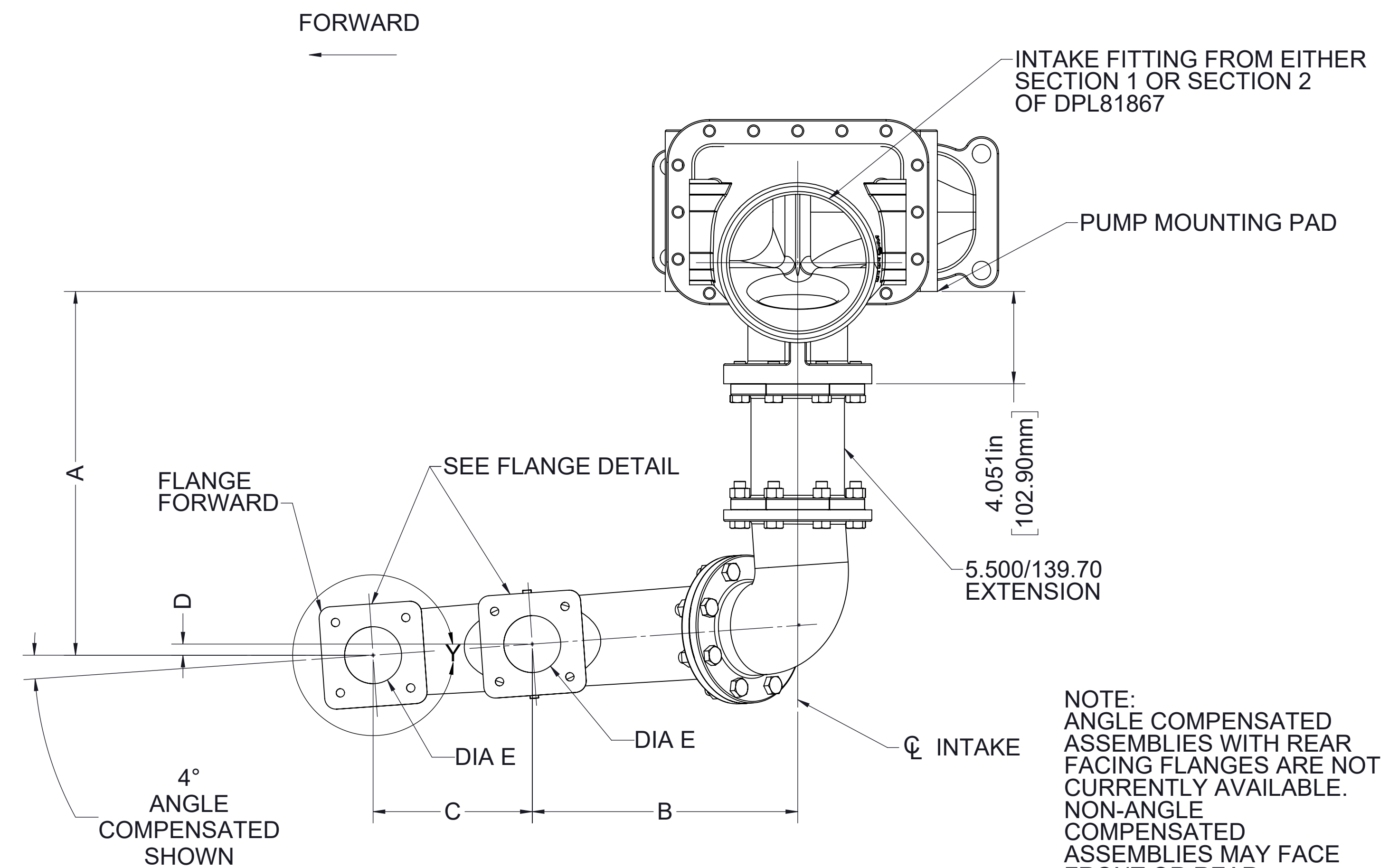
NOTE:  
ALL DIMENSIONS SHOWN AS INCH/MILLIMETER

**TYPE 8 - FITTINGS FOR 3, 3-1/2, OR 4 IN. 8-BOLT MACHINED PADS  
DUAL INTAKE MANIFOLD ASSEMBLY 81990 (AVAILABLE ON INTAKE FITTINGS ONLY)**



**W/O EXTENSION**

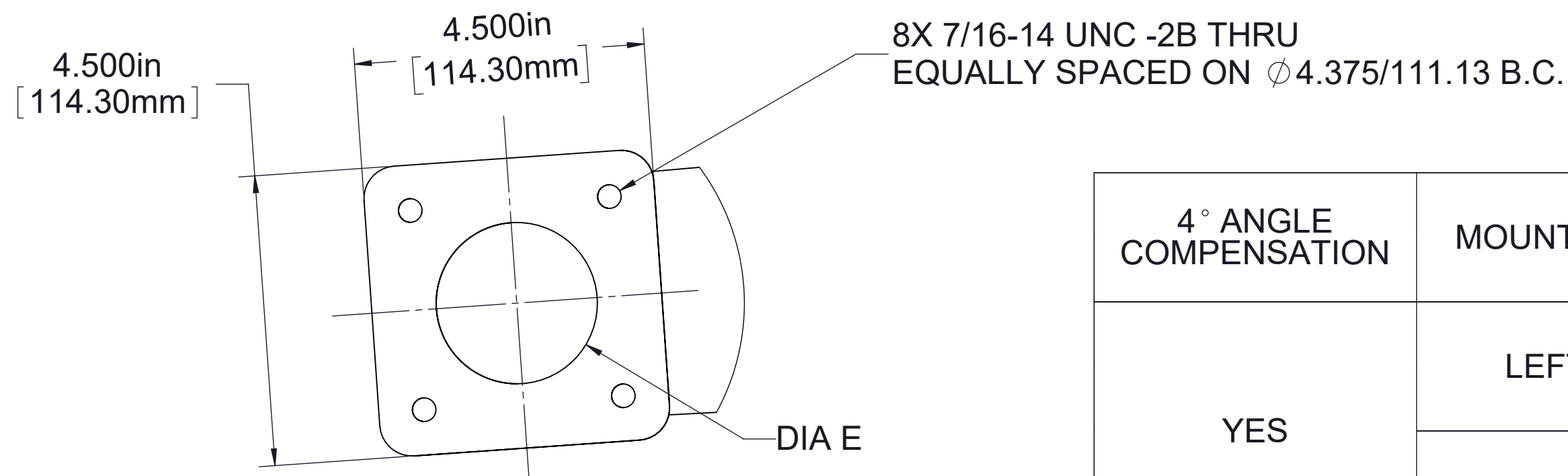
**WITH EXTENSION**



NOTE:  
ANGLE COMPENSATED  
ASSEMBLIES WITH REAR  
FACING FLANGES ARE NOT  
CURRENTLY AVAILABLE.  
NON-ANGLE COMPENSATED  
ASSEMBLIES MAY FACE  
FRONT OR REAR

NOTE:  
ANGLE COMPENSATED  
ASSEMBLIES WITH REAR  
FACING FLANGES ARE NOT  
CURRENTLY AVAILABLE.  
NON-ANGLE  
COMPENSATED  
ASSEMBLIES MAY FACE  
FRONT OR REAR

NOTES:  
1. LEFT SIDE MOUNTING IS SHOWN IN DETAILS ABOVE.  
2. IRON ASSEMBLIES ARE ONLY AVAILABLE AT THIS TIME.



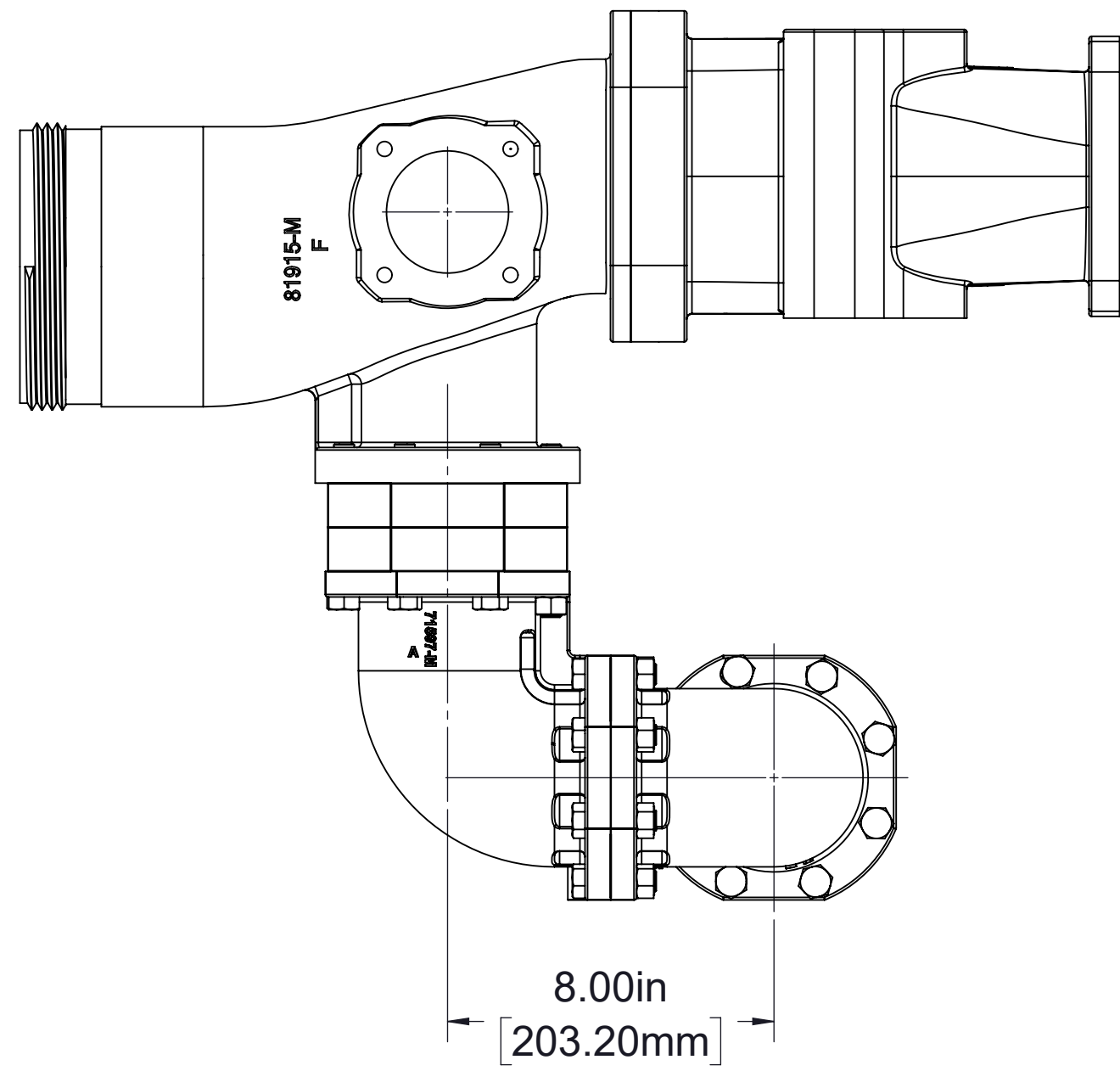
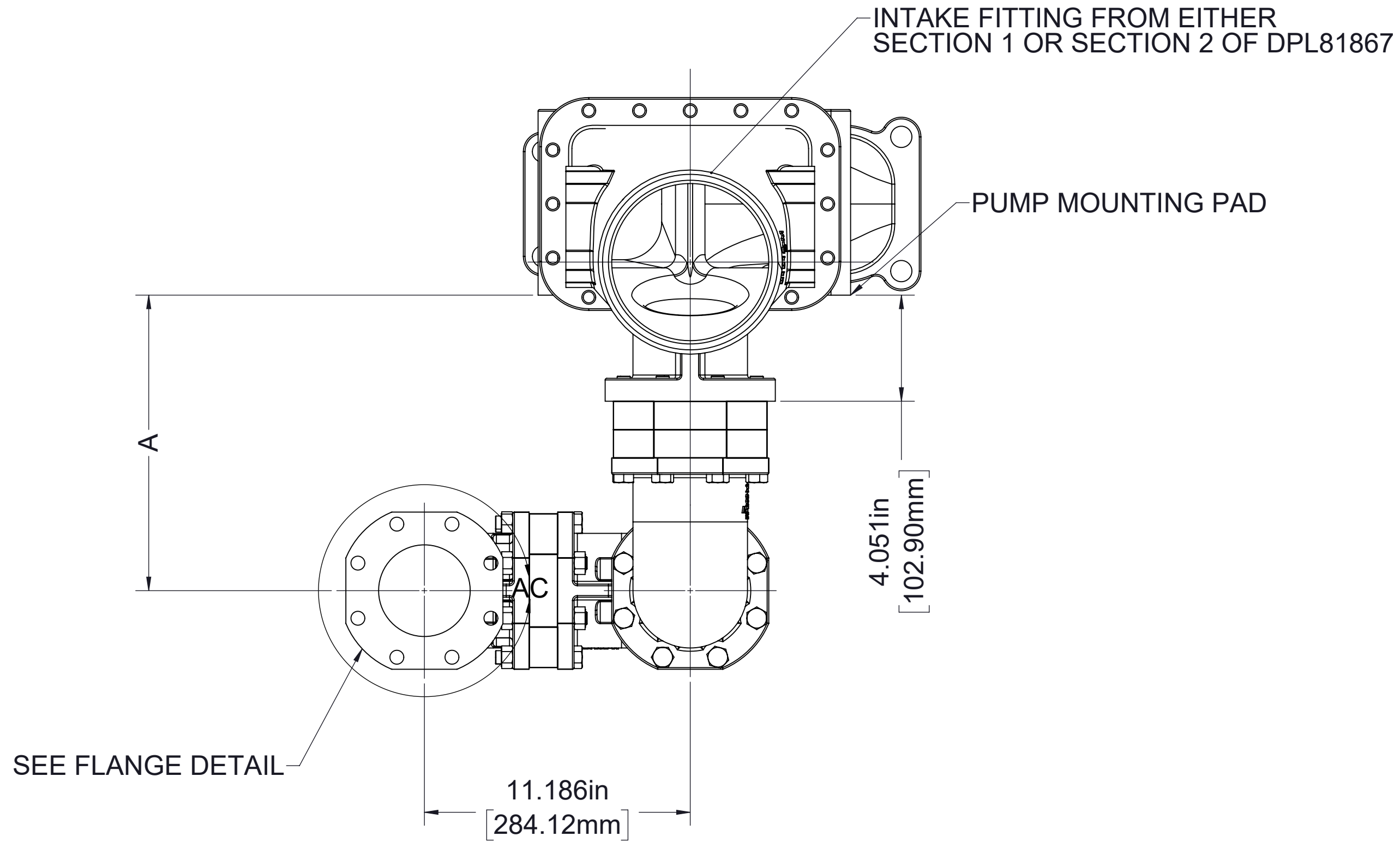
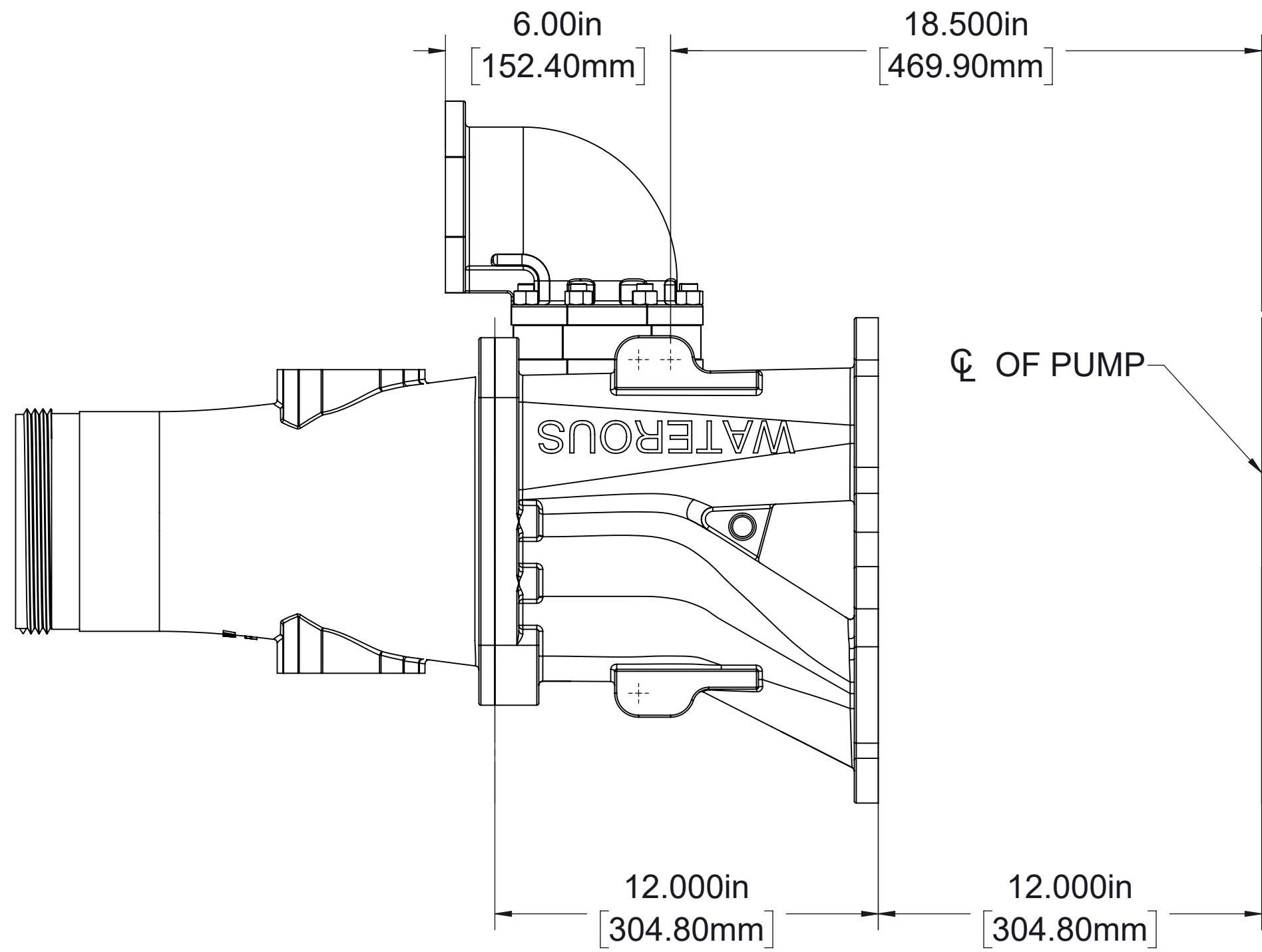
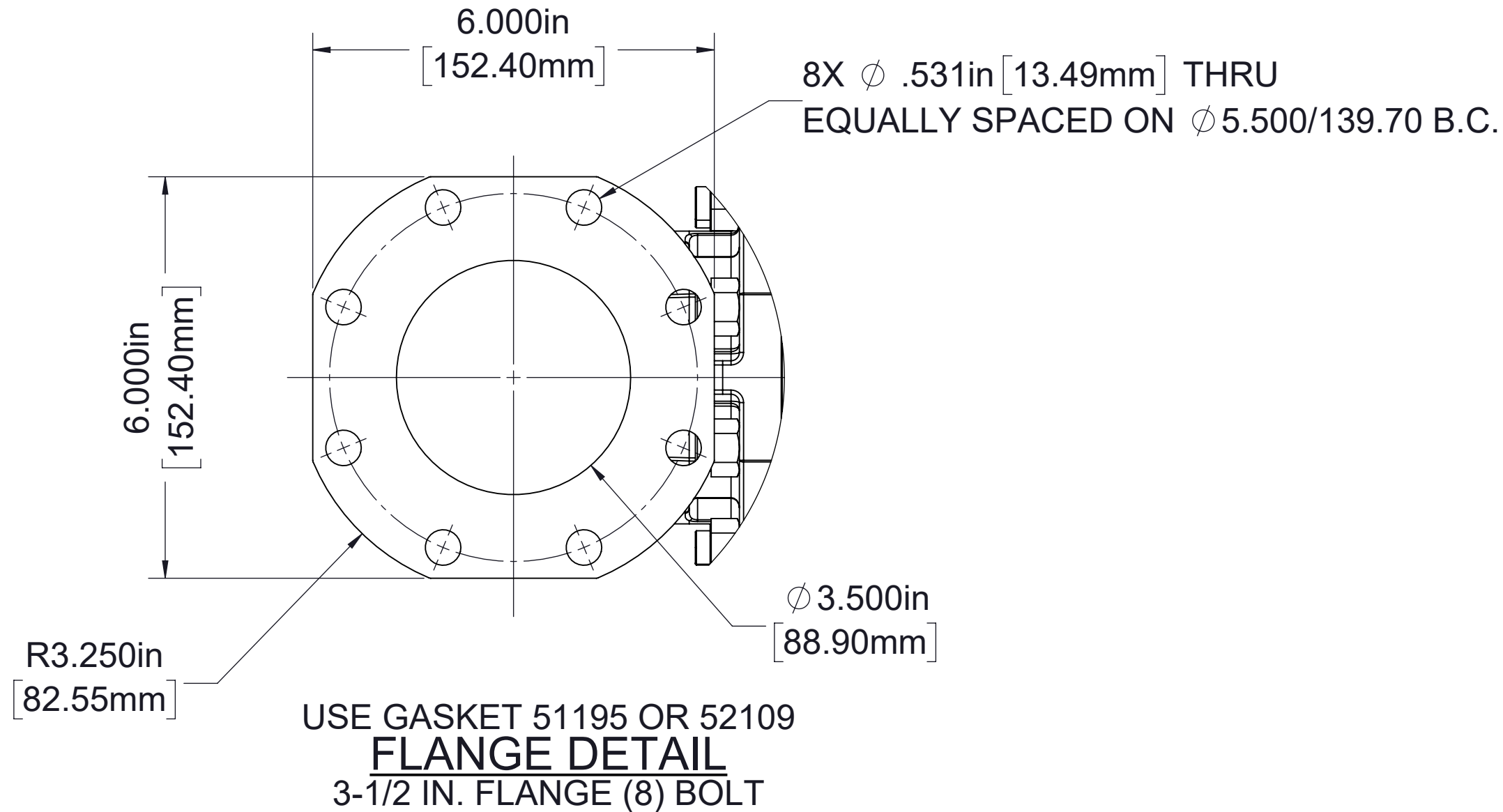
**MANIFOLD FLANGE DETAIL**

4° ANGLE COMPENSATION	MOUNTING	B	C	D	DIA E	W/O EXTENSION		WITH EXTENSION		
						ASSEMBLY NO.	A	ASSEMBLY NO.	A	
YES	LEFT	11.740/298.20	6.980/177.29	.490/12.45	2.500/63.50	10.436/265.07	81990-1G	81990-2G	15.936/404.77	
					3.000/76.20			81990-1H		81990-2H
	RIGHT				2.500/63.50			81990-1J		81990-2J
					3.000/76.20			81990-1K		81990-2K
NO	LEFT OR RIGHT	12.220/310.39	7.000/177.80	0.000	2.500/63.50	9.106/231.29	81990-1L	81990-2L	14.606/370.99	
					3.000/76.20		81990-1M	81990-2M		

NOTE:  
ALL DIMENSIONS SHOWN AS INCH/MILLIMETER



**TYPE 8 - FITTINGS FOR 3, 3-1/2, OR 4 IN. 8-BOLT MACHINED PADS  
 AUXILIARY INTAKE W/ SINGLE 3-1/2 IN. OPENING ASSEMBLY 82605  
 (AVAILABLE ON LEFT OR RIGHT INTAKE FITTING W/ OPENING FLANGE TO FRONT ONLY)**

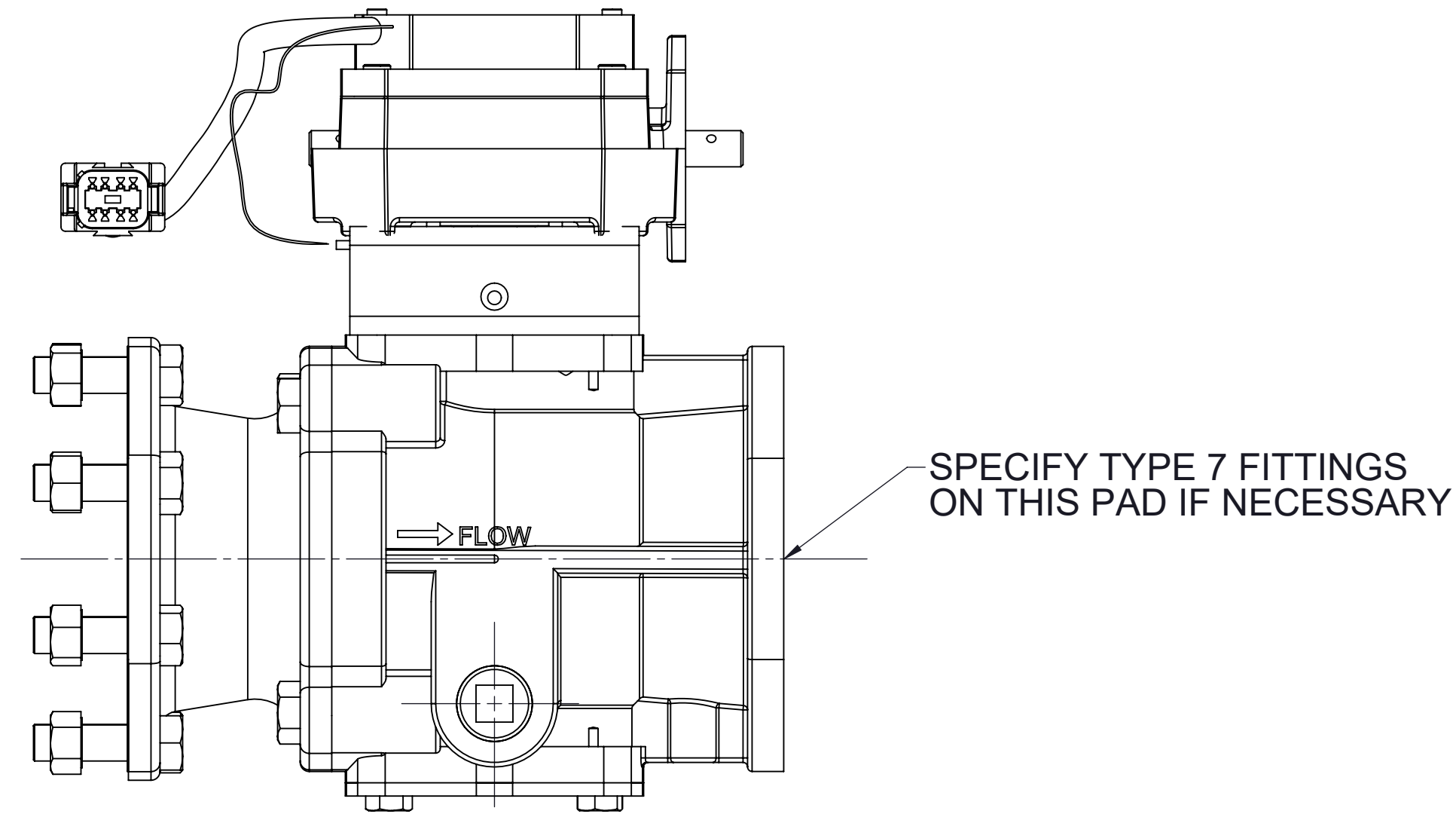


- NOTES:  
 1. LEFT SIDE MOUNTING IS SHOWN.  
 2. IRON ASSEMBLY ONLY AVAILABLE AT THIS TIME.  
 3. ALL DIMENSIONS SHOWN AS INCH/MILLIMETER.

ASSEMBLY NO.	A
82605-1A	11.237/285.42
82605-1B	13.113/333.70



**TYPE 8 - FITTINGS FOR 3, 3-1/2, OR 4 IN. 8-BOLT MACHINED PADS**

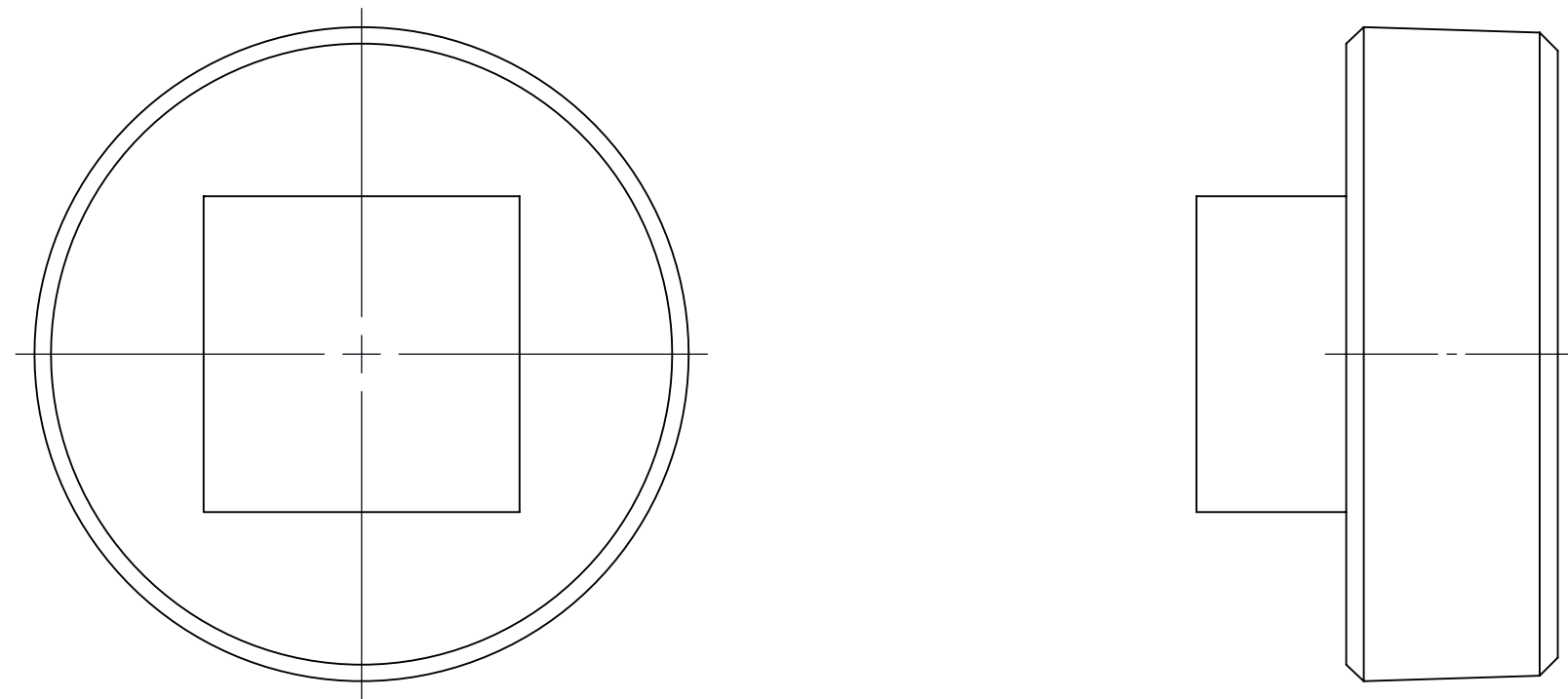


**MOUNTING A 3-1/2 IN. DISCHARGE VALVE**

REFER TO 3-1/2 IN. DISCHARGE VALVE DIMENSIONAL DRAWINGS FOR VALVE PART NUMBERS

**TYPE 9 - FITTINGS FOR 3 IN. NPT OPENINGS**

**PIPE PLUGS**

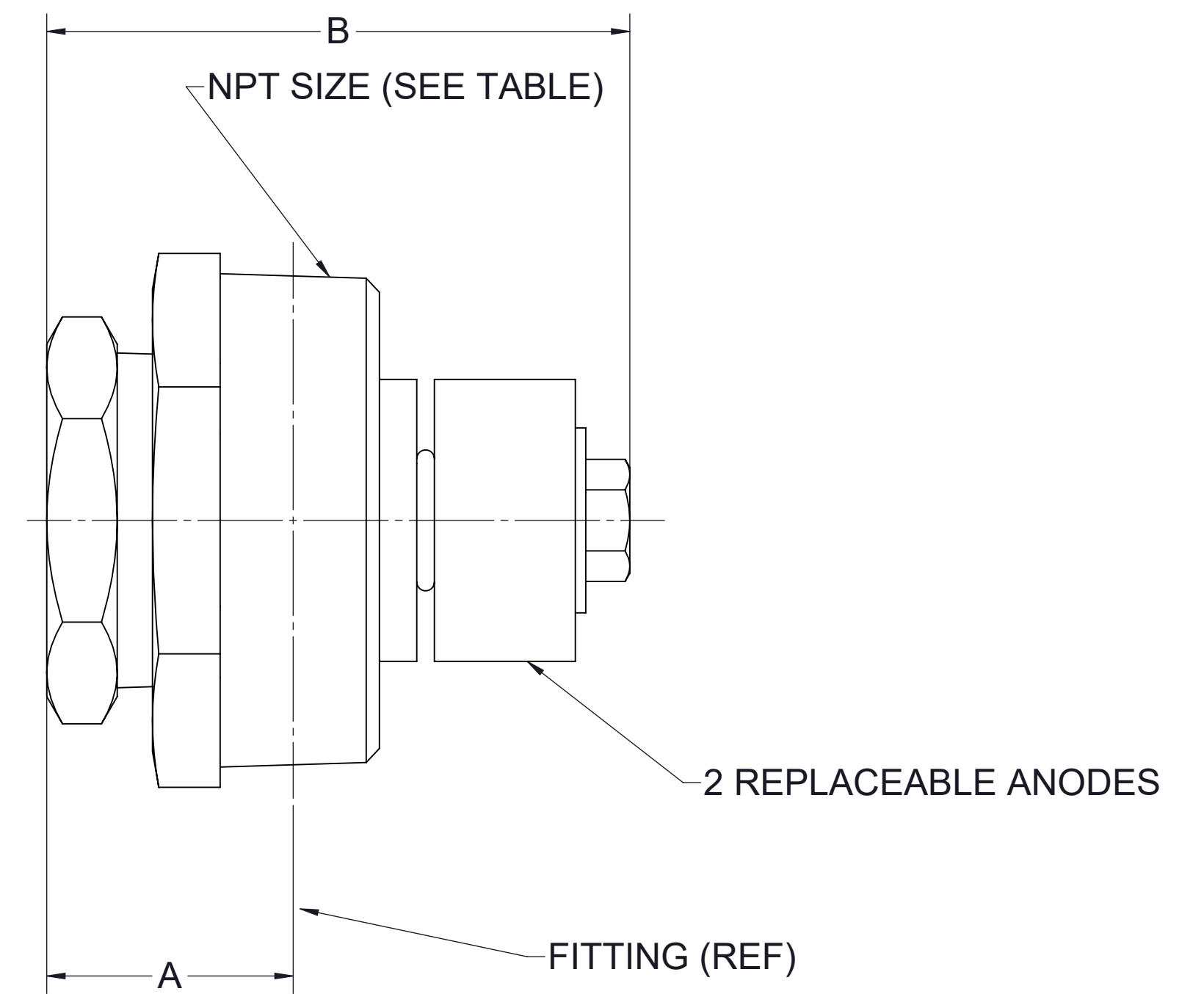


**SQUARE HEAD**

PART NO.	TYPE	SIZE	MAT'L
W6548	SQUARE HEAD	3 NPT	IRON
W6548-B			BRASS

**ANODE ASSEMBLY**

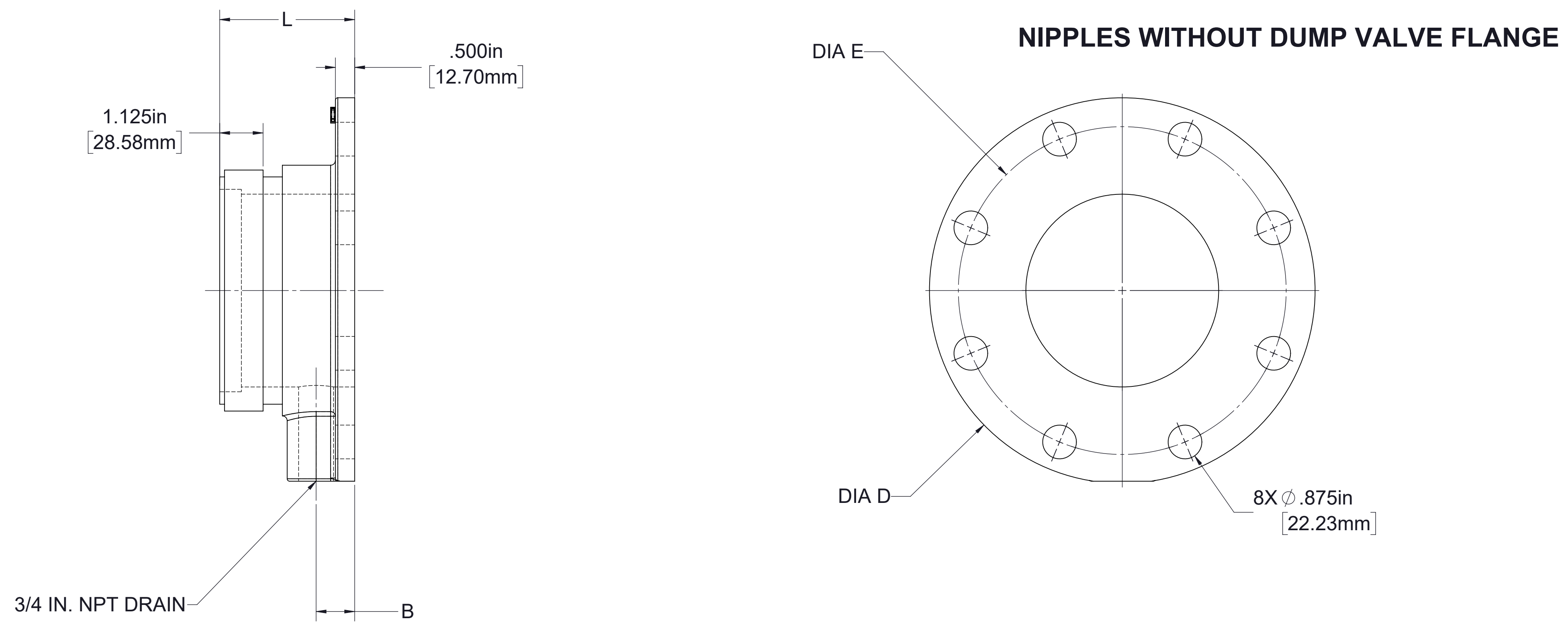
NOTE:  
1. ALL DIMENSIONS SHOWN AS INCH/ MILLIMETER



PART NO.	SIZE	A	B
52315-1	3 NPT	1.750/44.45	4.090/103.89

NOTE:  
1. THIS ANODE ASSEMBLY MAY BE INSTALLED IN ANY FITTING WITH A 3 NPT TAP  
2. ALL DIMENSIONS SHOWN AS INCH/MILLIMETER.

**TYPE 11 - FITTINGS FOR 5 IN. FLANGED ENDS ON INTAKE FITTINGS**



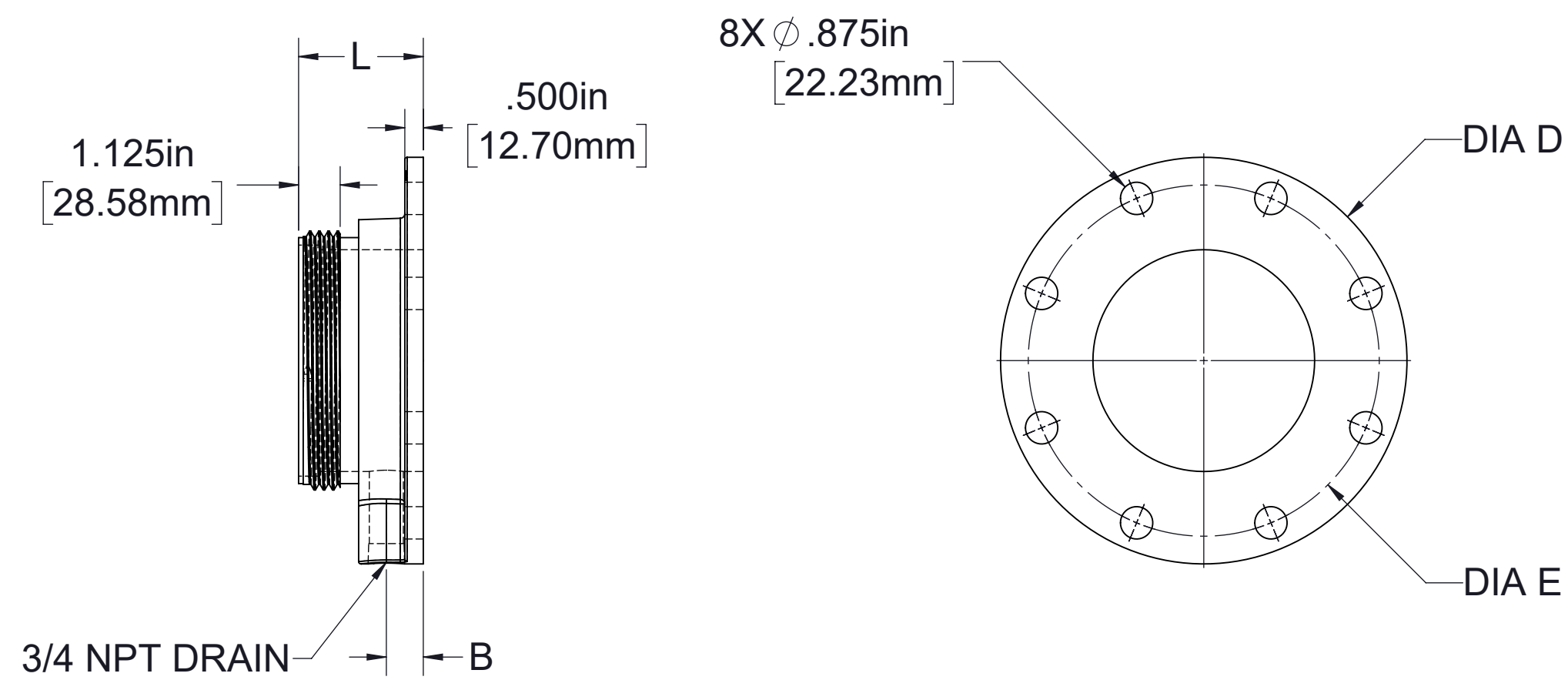
NIPPLE PART NO.		MOUNTED ON BUTTERFLY VALVE	THREAD SIZE	B	L	FLANGE		INCLUDES GASKET	
NO						YES	DIA D		DIA E
INTAKE FITTING LENGTH OTHER THAN 6.750	6.750								
72454-A	N/A	N/A	5.0 IN. NH	1.000/25.40	3.500/88.90	10.000/254.00	8.500/215.90	51720	

(USE WITH FLANGED SECTION 1 AND SECTION 2 FITTINGS ON DPL81867)

NOTE:  
ALL DIMENSIONS SHOWN AS INCH/MILLIMETER

**TYPE 12 - FITTINGS FOR 6 IN. FLANGED ENDS ON INTAKE FITTINGS**

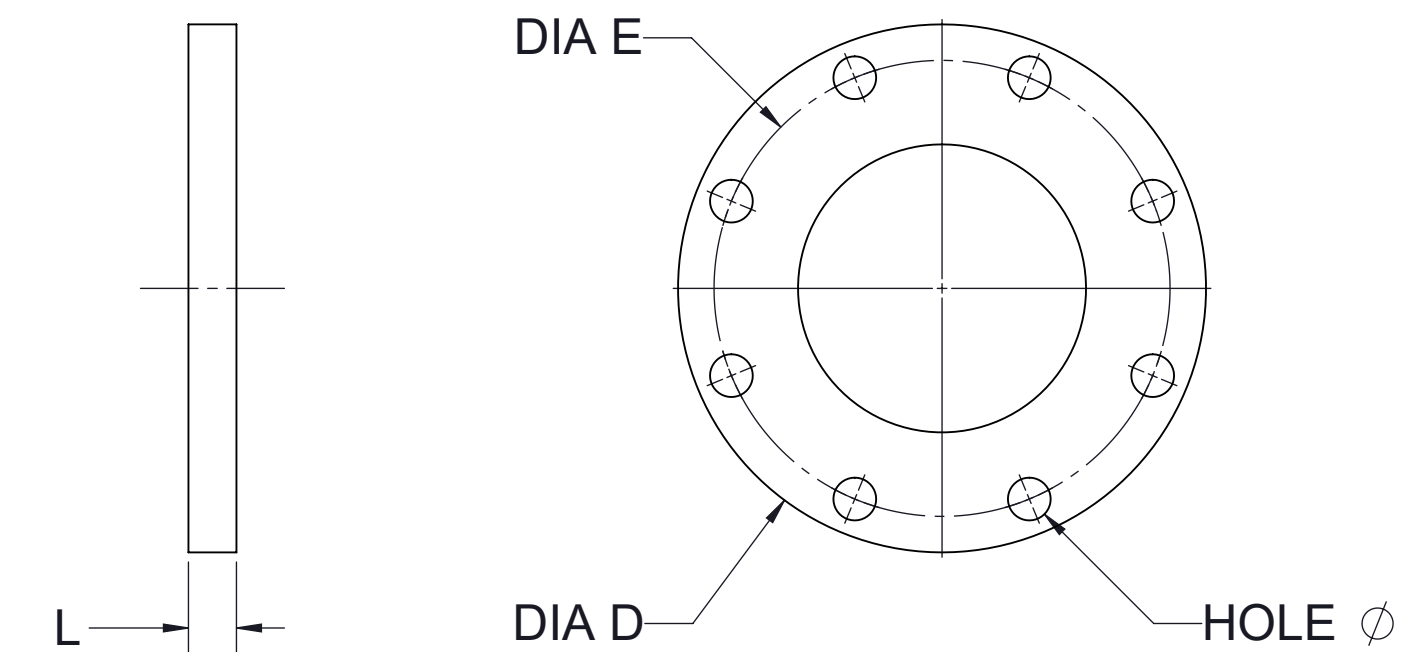
**NIPPLES WITHOUT DUMP VALVE FLANGE**



NIPPLE PART NO.		MOUNTED ON BUTTERFLY VALVE	THREAD SIZE	B	L	FLANGE		INCLUDES GASKET	
NO						YES	DIA D		DIA E
INTAKE FITTING LENGTH	OTHER THAN 6.750								
72453-A	6.750		6.0 IN. NH	1.000/25.40	3.375/85.73	11.000/279.40	9.500/241.30	73760	
72572-A	SEE TYPE 17 FITTINGS	SEE DPL 83723		.875/22.23	5.250/133.35				
72578-A				6.250/158.75					
72579-A				7.250/184.15					

(USE WITH FLANGED SECTION 1 AND SECTION 2 INTAKE FITTINGS ON DPL81867)

**NIPPLE EXTENSION**

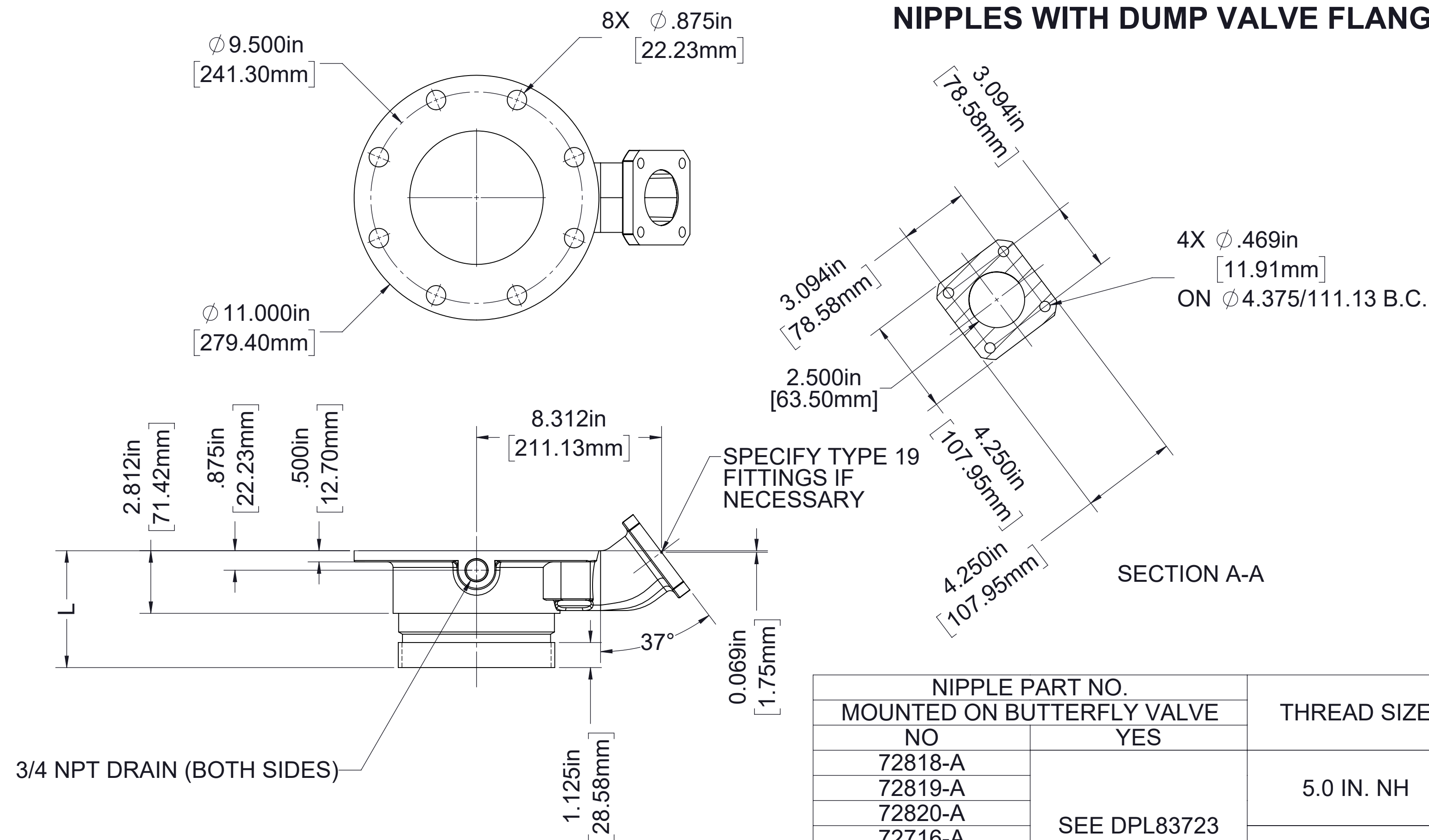


EXTENSION PART NO.	SIZE	L	FLANGE			INCLUDES GASKET
			DIA D	DIA E	HOLE $\phi$	
61984-A	6.0 IN.	1.000/25.40	11.000/279.40	9.500/241.30	(8) $\phi$ .875/22.23	73760
*61984-AA		2.000/50.80				

\*NOTE: 61984-AA CONSISTS OF (2) 1 IN. 61984-A EXTENSIONS. (USE WITH FLANGED SECTION 1 AND SECTION 2 INTAKE FITTINGS ON DPL81867)

6 IN. JAMESBURY BUTTERFLY VALVES. SEE DRAWING DPL83723

**NIPPLES WITH DUMP VALVE FLANGE**



NIPPLE PART NO.		THREAD SIZE	L	INCLUDES GASKET
MOUNTED ON BUTTERFLY VALVE	NO			
	YES			
72818-A		5.0 IN. NH	5.250/133.35	73760
72819-A			6.250/158.75	
72820-A			7.250/184.15	
72716-A	SEE DPL83723	6.0 IN. NH	5.250/133.35	
72717-A			6.250/158.75	
72718-A			7.250/184.15	

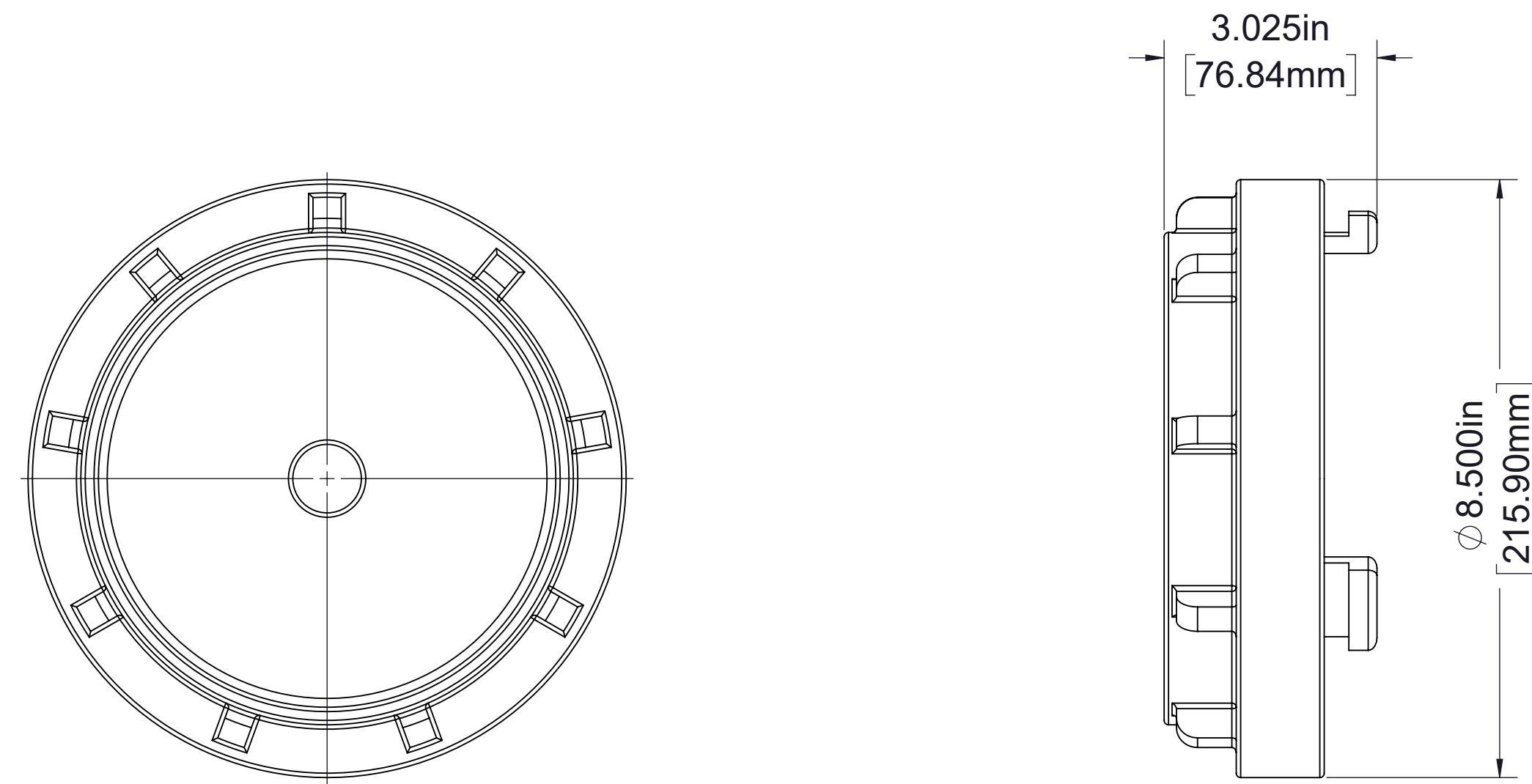
(USE WITH FLANGED SECTION 1 AND SECTION 2 INTAKE FITTINGS ON DPL81867)

- NOTES:
1. ALL FITTINGS ARE AVAILABLE IN IRON OR BRONZE UNLESS OTHERWISE SPECIFIED. ADD "-BZ" SUFFIX TO PART NUMBER FOR BRONZE FITTINGS.
  2. SPECIFY WHERE EACH FITTING IS TO BE MOUNTED. ALL FITTINGS INCLUDE GASKET AND MOUNTING HARDWARE.
  3. ALL DIMENSIONS SHOWN AS INCH/MILLIMETER.



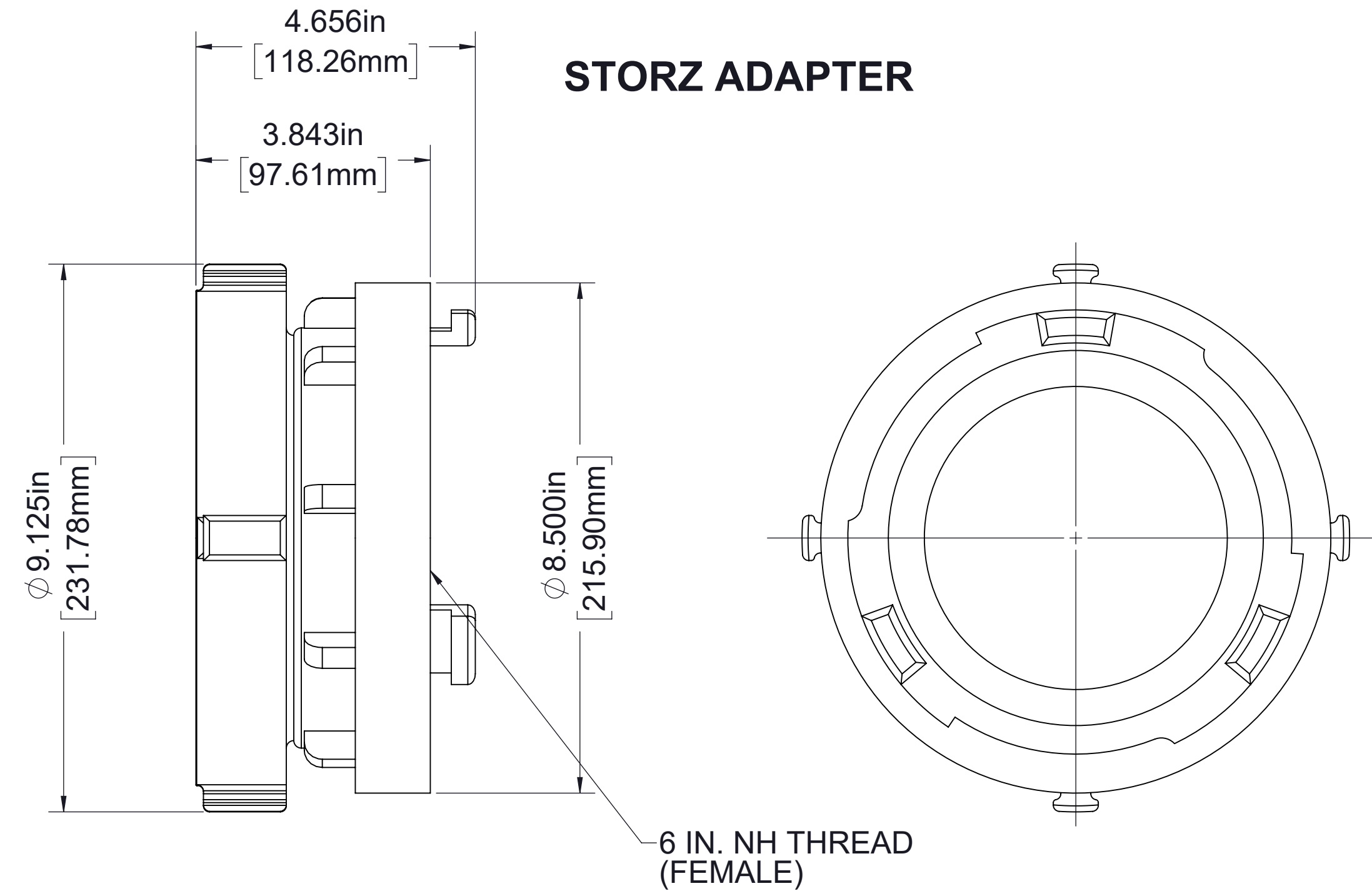
**TYPE 13 - FITTINGS FOR 6 IN. FLANGED ENDS ON INTAKE FITTINGS**

**CAP ASSEMBLY - 6IN. STORZ**



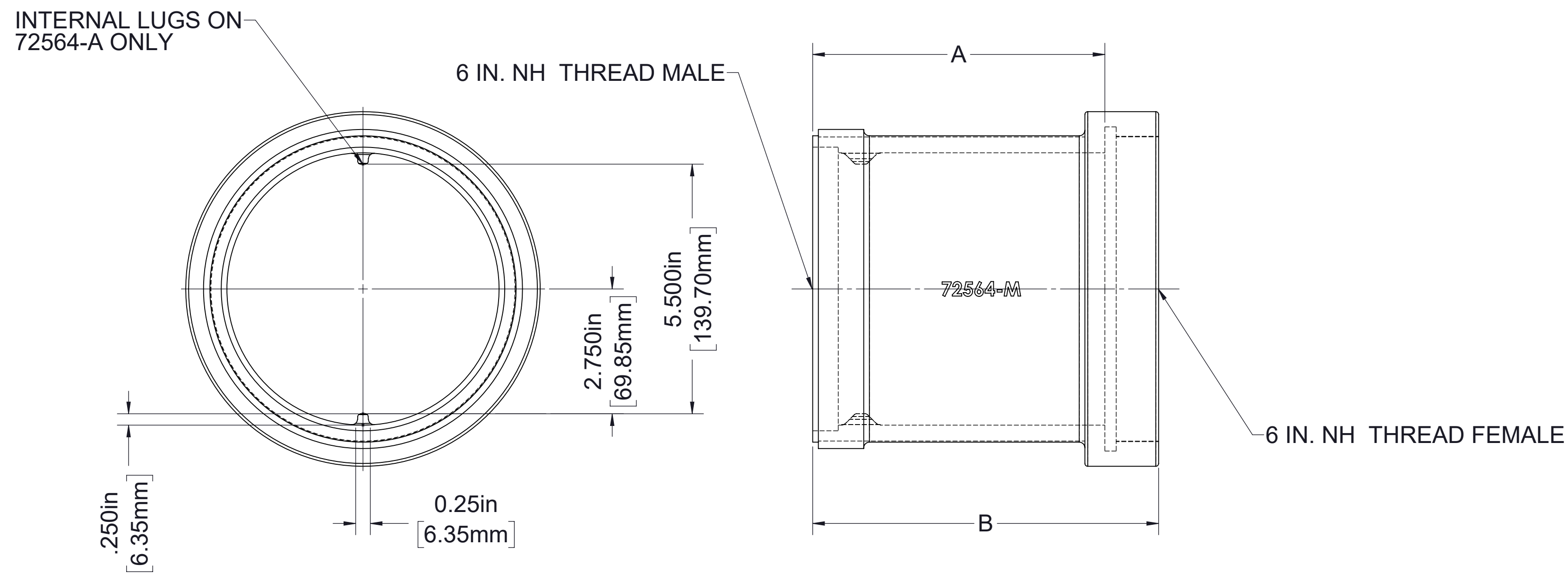
PART NO.	DESCRIPTION
V3781	CAP ASSY. 6 IN. STORZ

**STORZ ADAPTER**



PART NO.	DESCRIPTION	THREAD SIZE
V3782	ADAPTER	6 IN. STORZ W/LOCK X 6 IN. NH FEMALE

**THREADED INTAKE FITTING EXTENSIONS**



PART NO.	THREAD SIZE	A (EXT. LENGTH)	B (OVERALL LENGTH)	INCLUDES GASKET
72534-A	6 IN. NH	3.750/92.25	4.750/120.65	63011
72564-A		6.500/165.10	7.625/193.68	

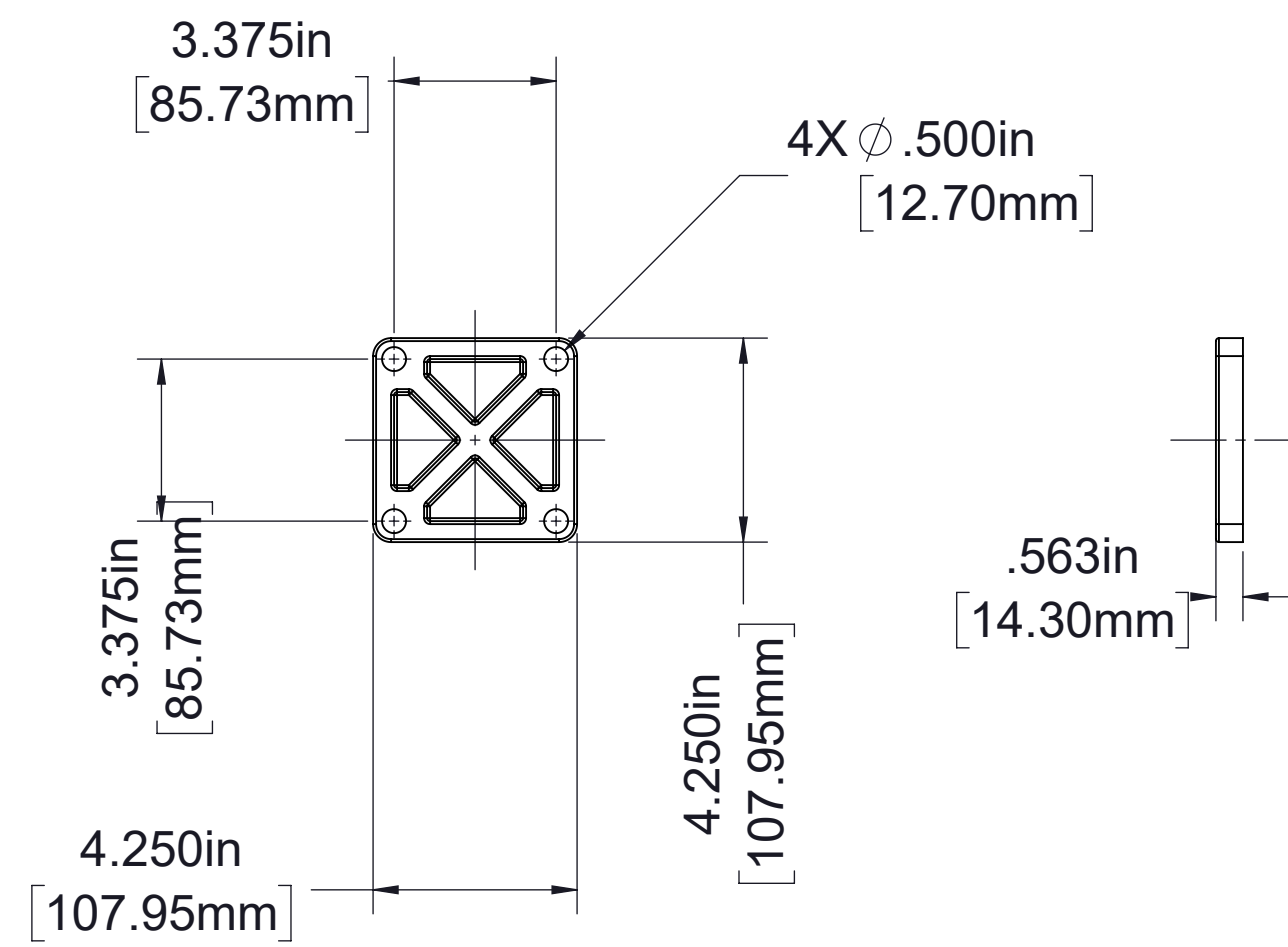
USED TO EXTEND 6 IN. NH THREADED FITTINGS  
(IRON ONLY AVAILABLE)

**NOTES:**

1. ALL FITTINGS ARE AVAILABLE IN IRON OR BRONZE UNLESS OTHERWISE SPECIFIED, ADD "-BZ" SUFFIX TO PART NUMBER FOR BRONZE FITTINGS.
2. SPECIFY WHERE EACH FITTING IS TO BE MOUNTED. ALL FITTINGS INCLUDE GASKET AND MOUNTING HARDWARE.
3. ALL DIMENSIONS SHOWN AS INCH/MILLIMETER.

**TYPE 14 - FITTINGS FOR 3 IN. RELIEF VALVE PADS**

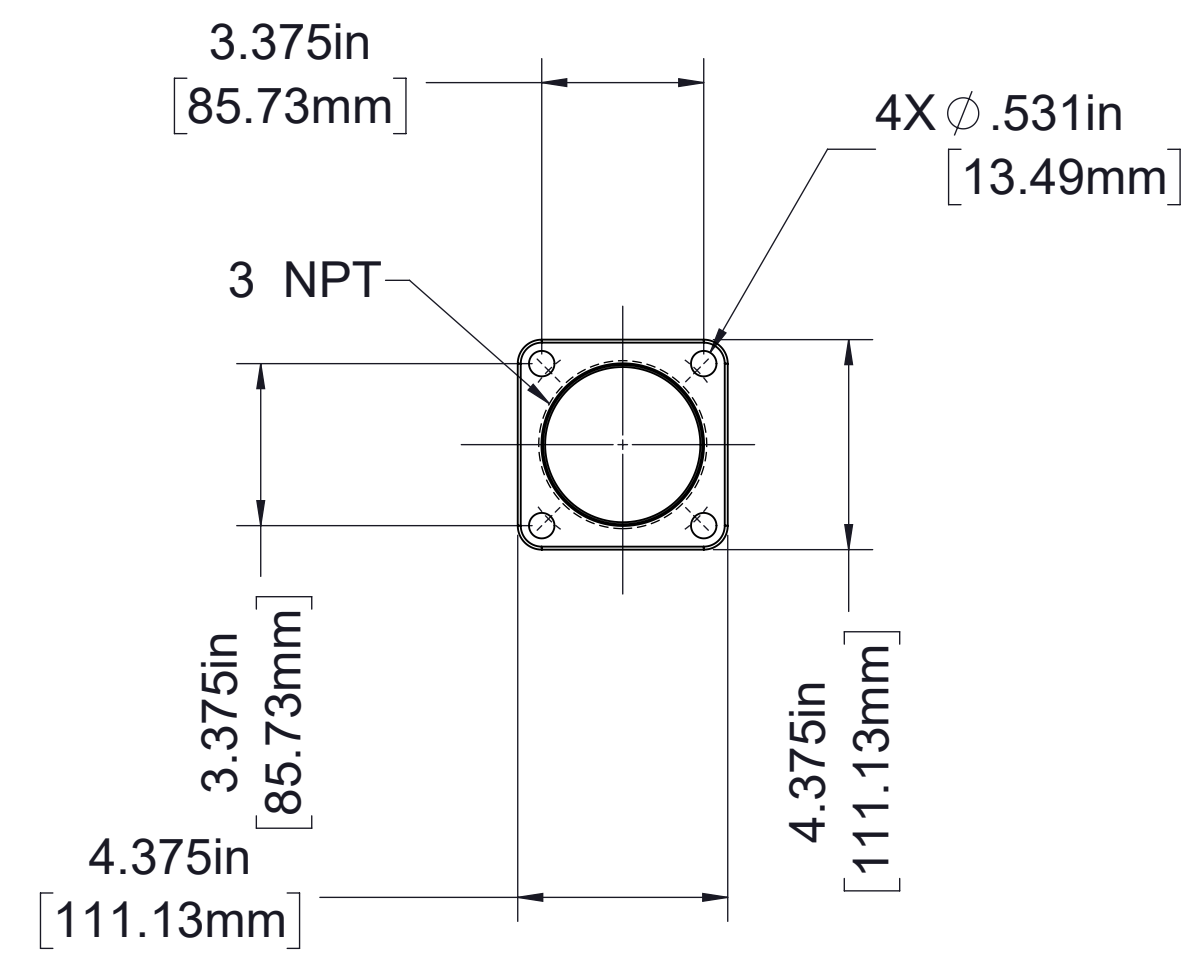
**RELIEF VALVE PAD BLIND FLANGES**



USED ON 3 IN. RELIEF VALVE PAD  
WHEN RELIEF VALVE IS NOT FURNISHED

PART NO.	DESCRIPTION	INCLUDES O-RING
62950-A	BLIND FLANGE	W3756-4

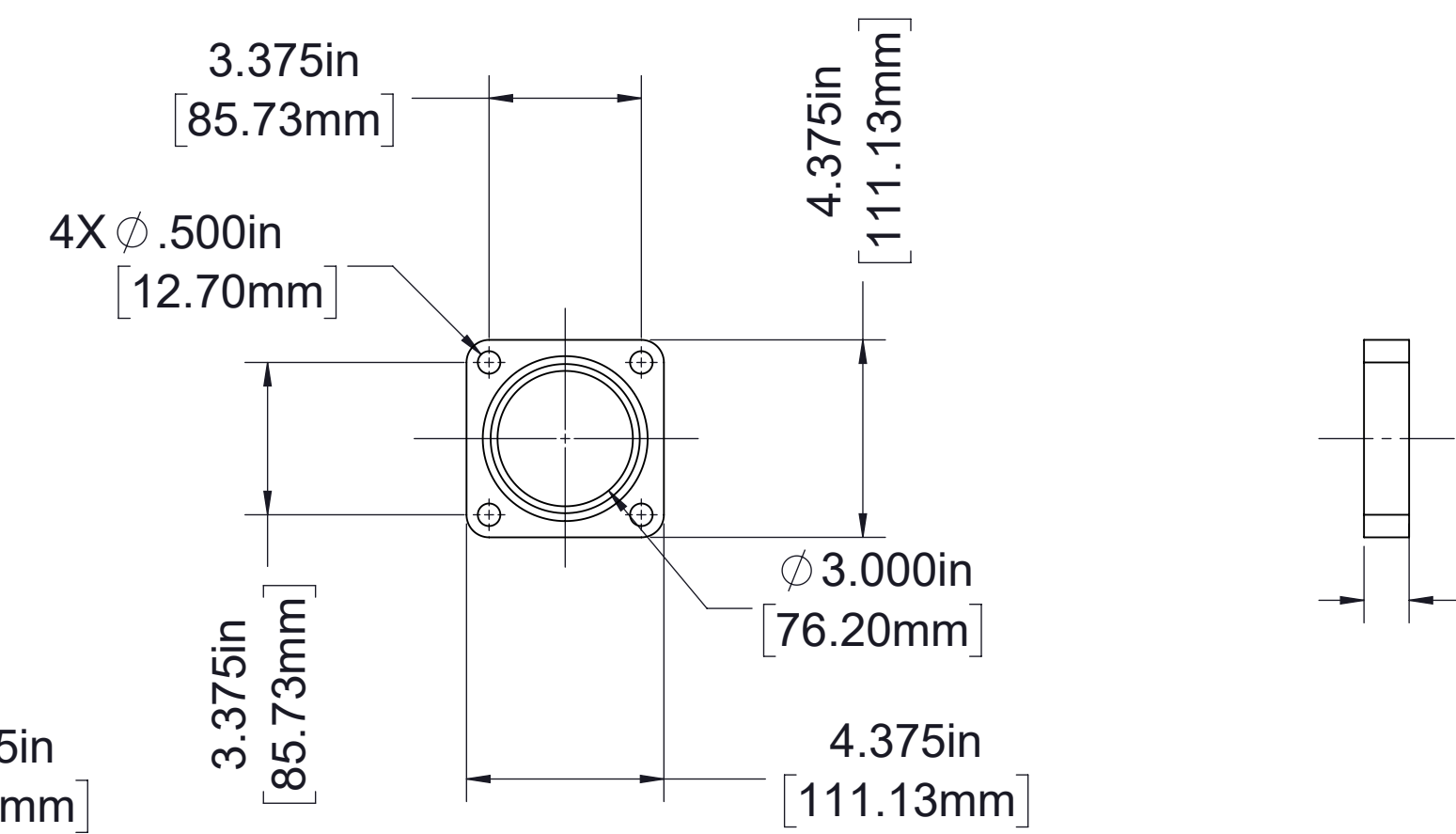
**RELIEF VALVE PAD TAPPED FLANGES**



PART NO.	DESCRIPTION	INCLUDES O-RING
62206-2A	3 NPT TAPPED FLANGE	W3756-4

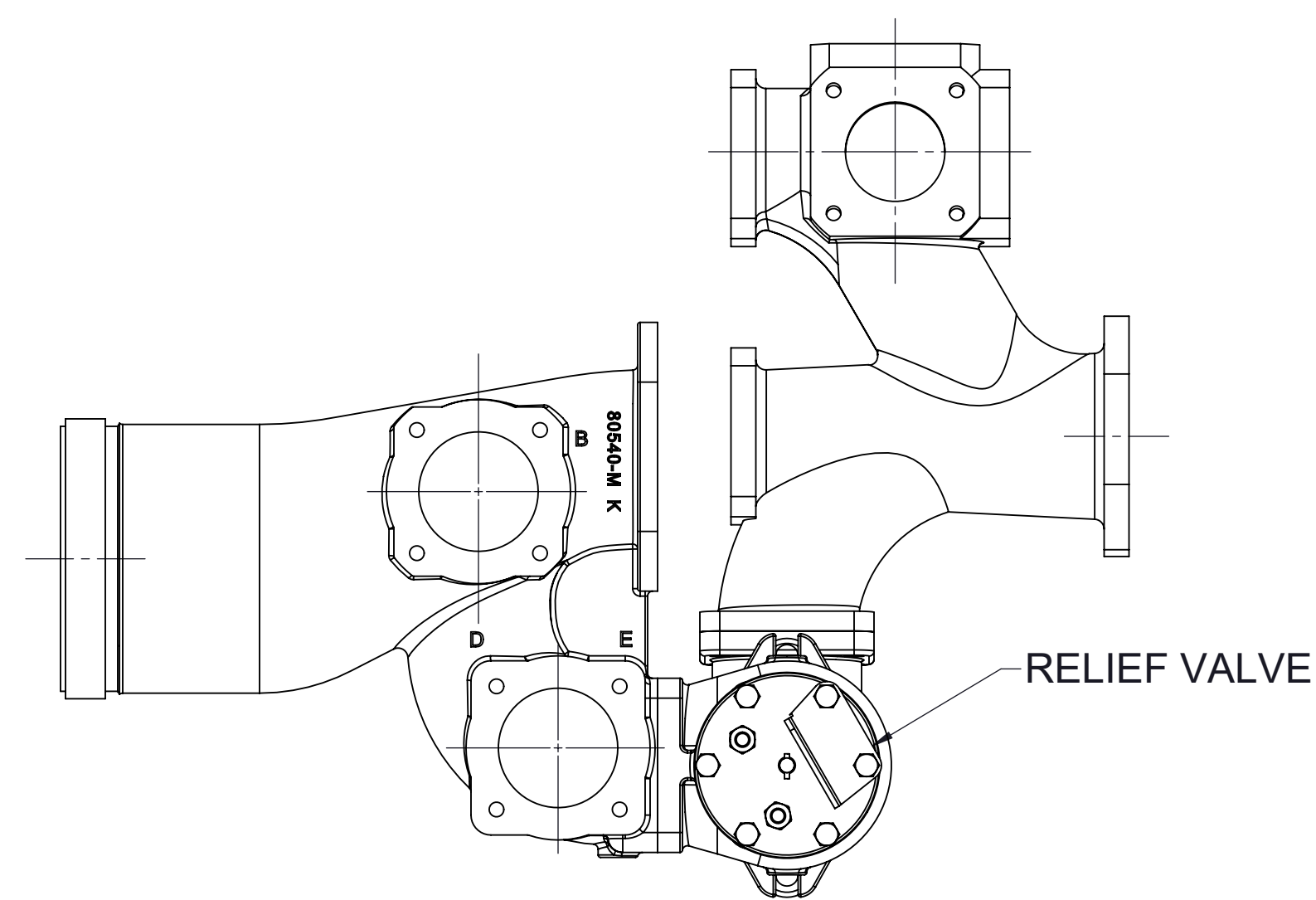
USED ON 3 IN. RELIEF VALVE PAD

**RELIEF VALVE PAD EXTENSIONS**



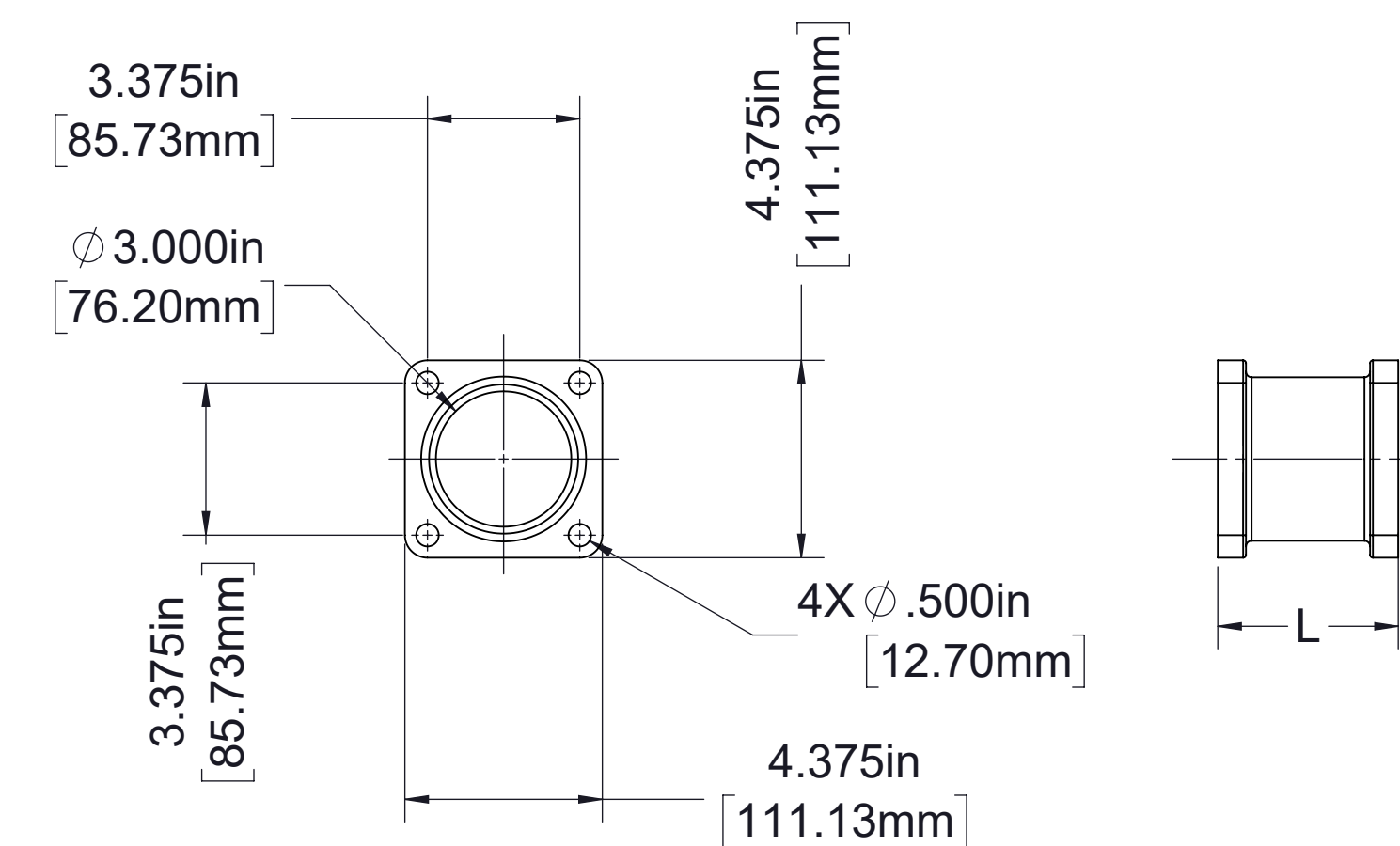
PART NO.	L	INCLUDED STUDS	USE WITH INTAKE EXTENSION	INCLUDES O-RING
61647-A	1.000/25.40	(2) 51312	5002-A	W3754-4
*61647-AA	2.000/50.80	(2) 51312-1	5003-A	

\*NOTE: 61647-AA CONSISTS OF (2) 1 IN. 61947-A EXTENSIONS.  
(USE WITH SECTION 1 INTAKE FITTINGS ON DPL81867)



MOUNT RELIEF VALVE BETWEEN INTAKE AND DISCHARGE FITTINGS

REFER TO DIMENSIONAL DRAWING DPL82084-1  
FOR ADDITIONAL DETAILS



PART NO.	L	USE WITH INTAKE EXTENSION	INCLUDES O-RING
61646-A	4.000/101.60	5005-A	W3754-4

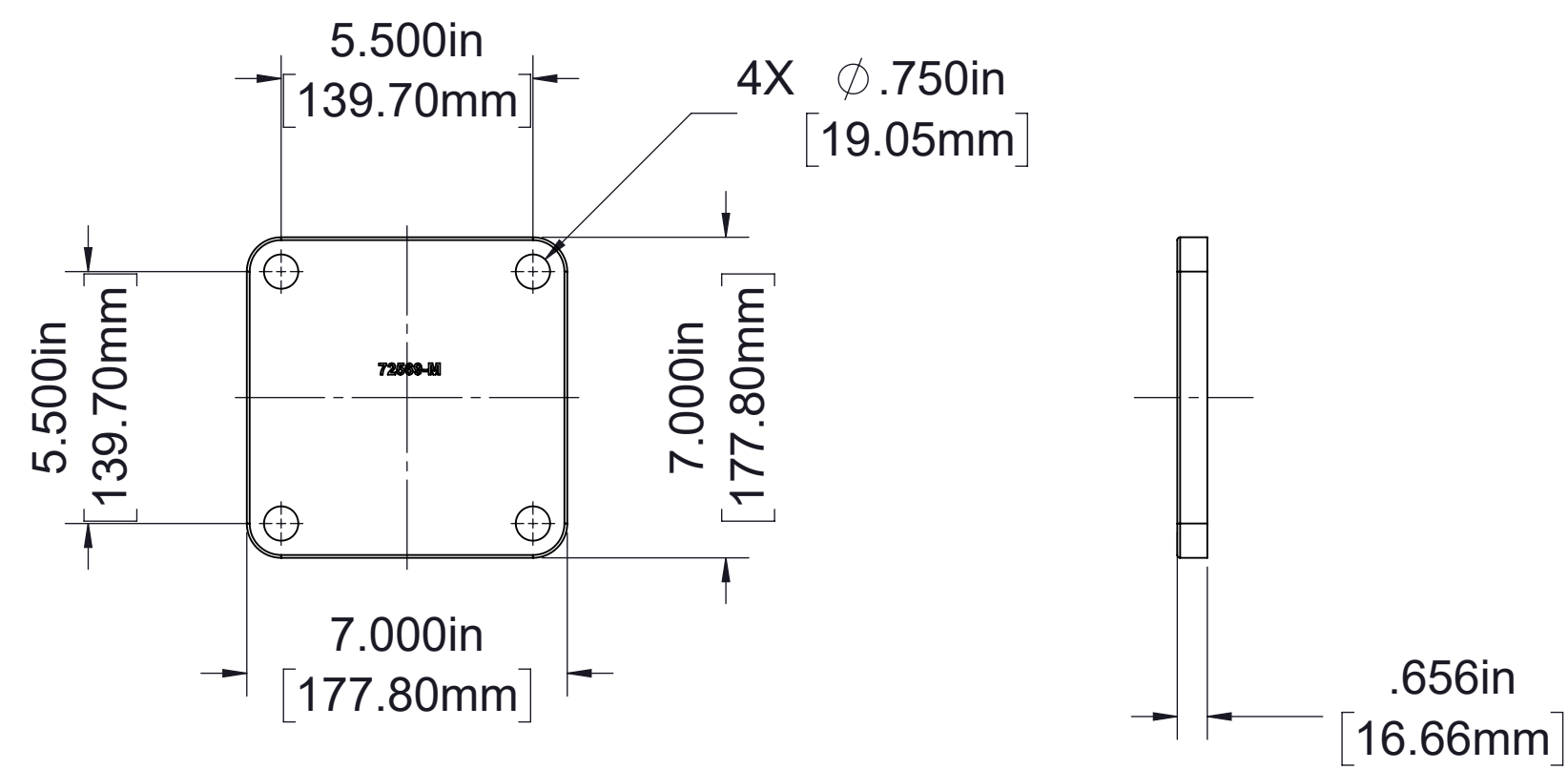
(USE WITH SECTION 1 INTAKE FITTINGS ON DPL81867)

**NOTES:**

1. ALL FITTINGS ARE AVAILABLE IN IRON OR BRONZE UNLESS OTHERWISE SPECIFIED, ADD "-BZ" SUFFIX TO PART NUMBER FOR BRONZE FITTINGS.
2. SPECIFY WHERE EACH FITTING IS TO BE MOUNTED. ALL FITTINGS INCLUDE GASKET AND MOUNTING HARDWARE.
3. ALL DIMENSIONS SHOWN AS INCH/MILLIMETER.

**TYPE 15 - FITTINGS FOR 4 IN. RELIEF VALVE PADS**

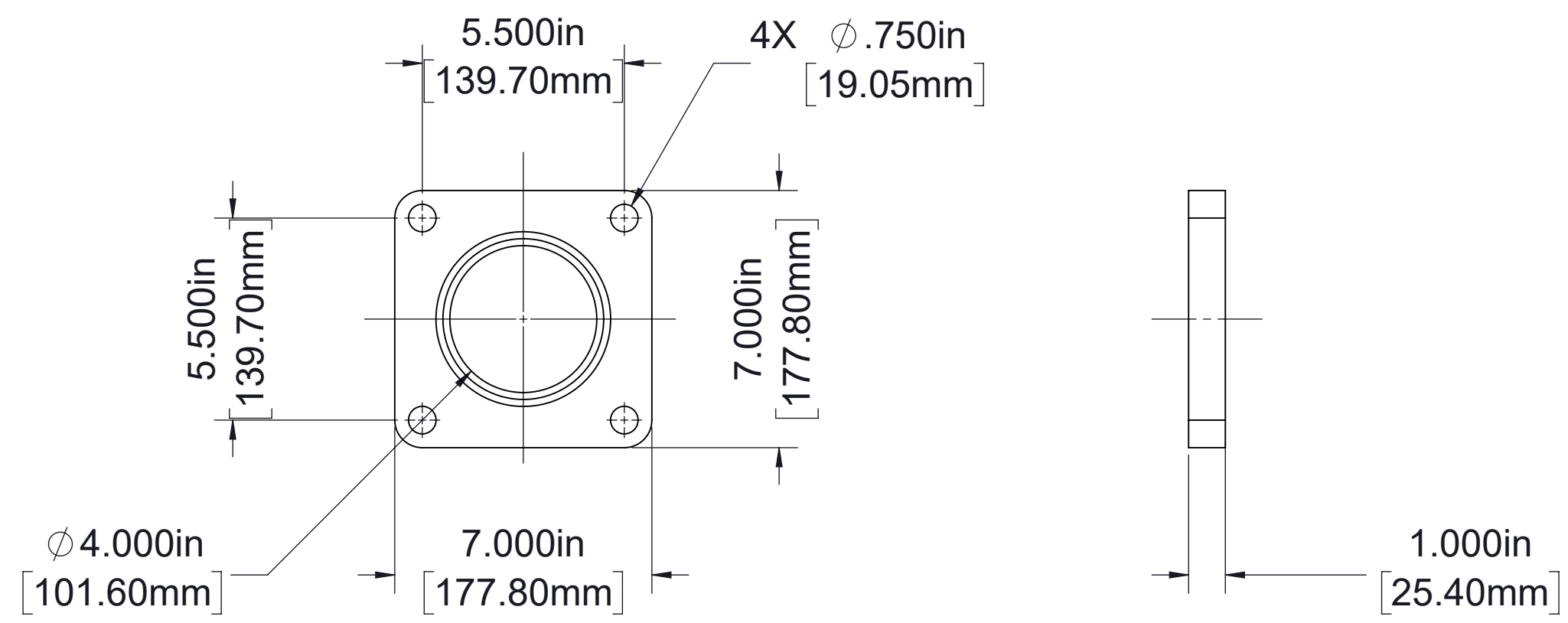
**RELIEF VALVE PAD BLIND FLANGES**



USED ON 4 IN. RELIEF VALVE PAD  
WHEN RELIEF VALVE IS NOT FURNISHED

PART NO.	DESCRIPTION	INCLUDES O-RING
72569-A	BLIND FLANGE	W3772-4

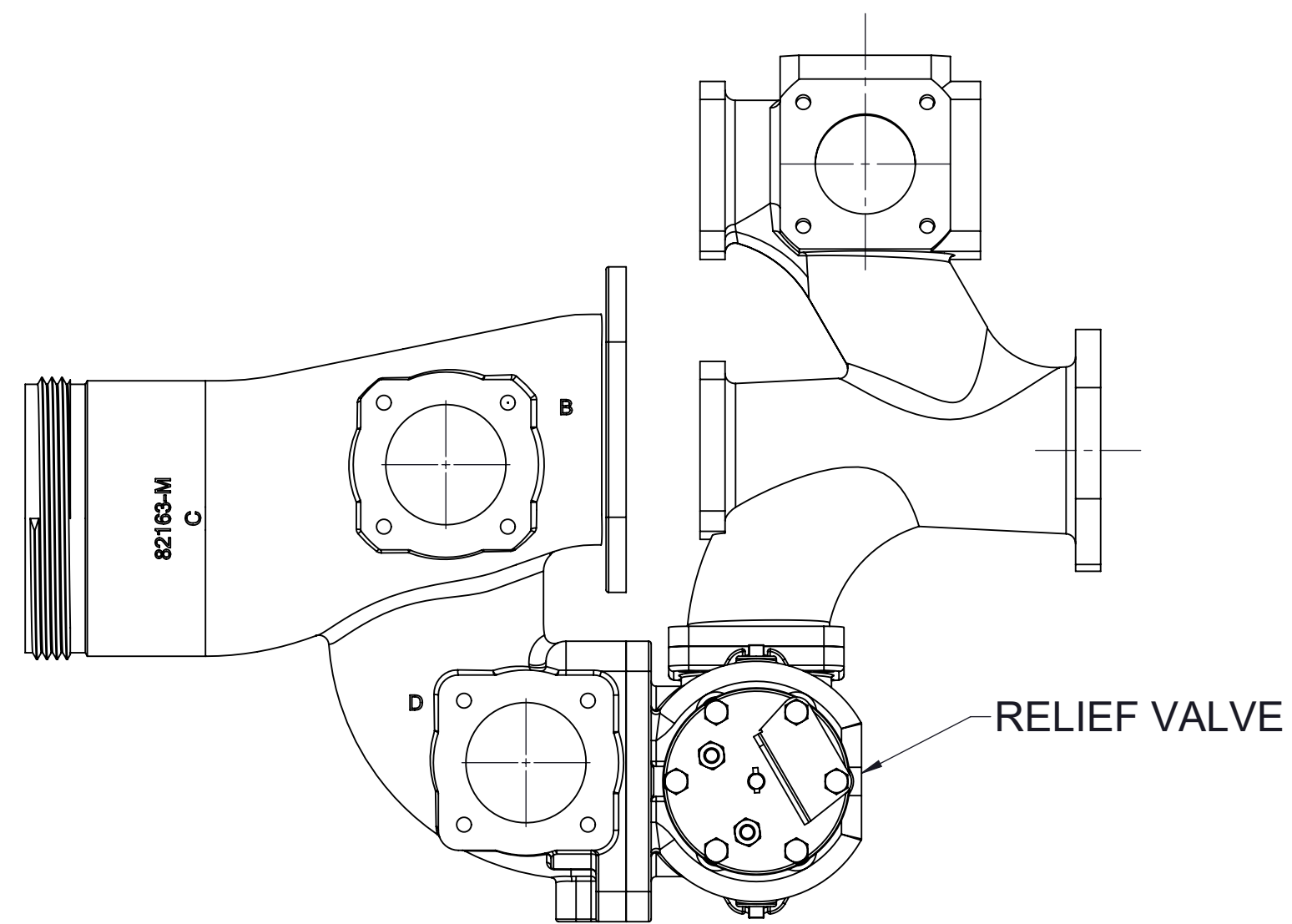
**RELIEF VALVE PAD EXTENSIONS**



SPACER REQUIRED WHEN AN INTAKE EXTENSION IS ORDERED  
AND RELIEF VALVE IS MOUNTED ON PUMP

PART NO.	DESCRIPTION	INCLUDES O-RING
63842-A	RELIEF VALVE SPACER	W3772-4

1 IN. INTAKE EXTENSION ORDERED



MOUNT RELIEF VALVE BETWEEN INTAKE AND DISCHARGE FITTINGS  
REFER TO DIMENSIONAL DRAWING DPL82084-2 FOR ADDITIONAL DETAILS

MOUNT RELIEF VALVE ORDERED

NOTE:  
4 IN. RELIEF VALVE EXTENSIONS ARE NOT CURRENTLY AVAILABLE.  
4 IN. LONG EXTENSION 62408-A MAY BE USED  
BETWEEN THE PUMP BODY AND THE DISCHARGE  
FITTING TO COMPENSATE FOR INTAKE EXTENSION 7251-A.

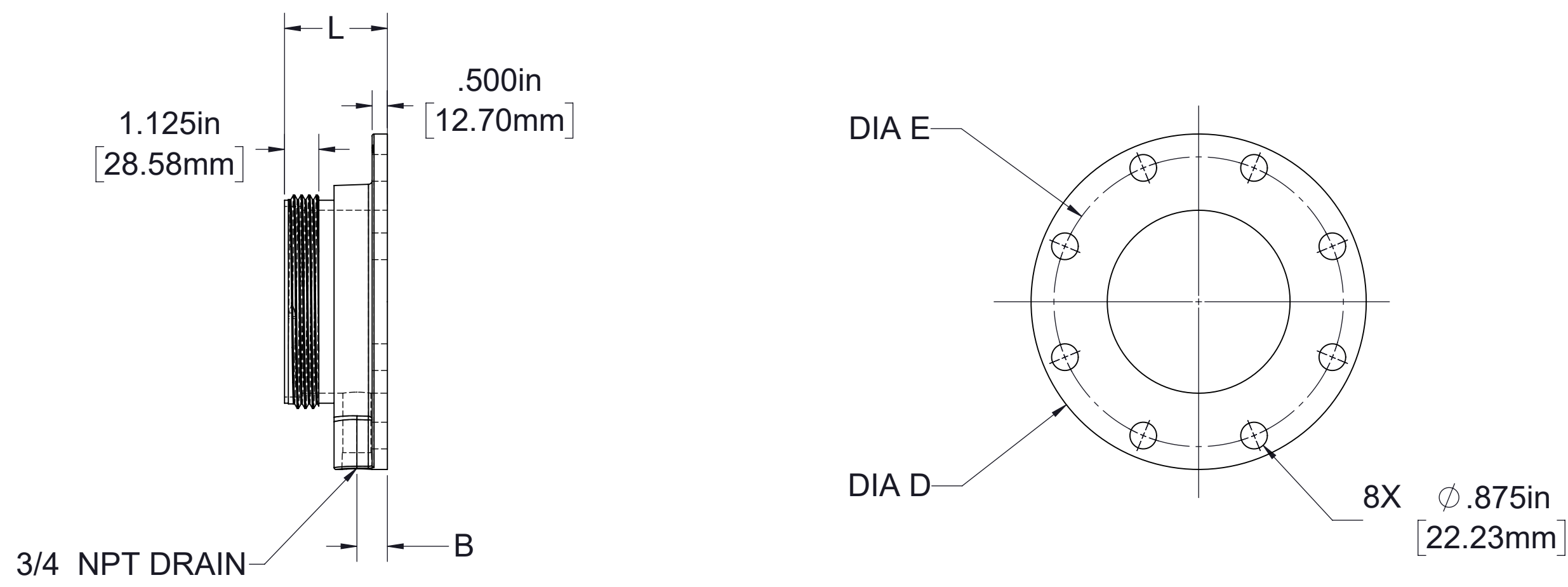
4 IN. INTAKE EXTENSION ORDERED

- NOTES:
1. ALL FITTINGS ARE AVAILABLE IN IRON OR BRONZE UNLESS OTHERWISE SPECIFIED, ADD "-BZ" SUFFIX TO PART NUMBER FOR BRONZE FITTINGS.
  2. SPECIFY WHERE EACH FITTING IS TO BE MOUNTED. ALL FITTINGS INCLUDE GASKET AND MOUNTING HARDWARE.
  3. ALL DIMENSIONS SHOWN AS INCH/MILLIMETER.



**TYPE 17 - FITTINGS FOR 6 IN. FLANGED ENDS ON 6-3/4 IN. LONG INTAKE FITTINGS**

**NIPPLES WITHOUT DUMP VALVE FLANGE**

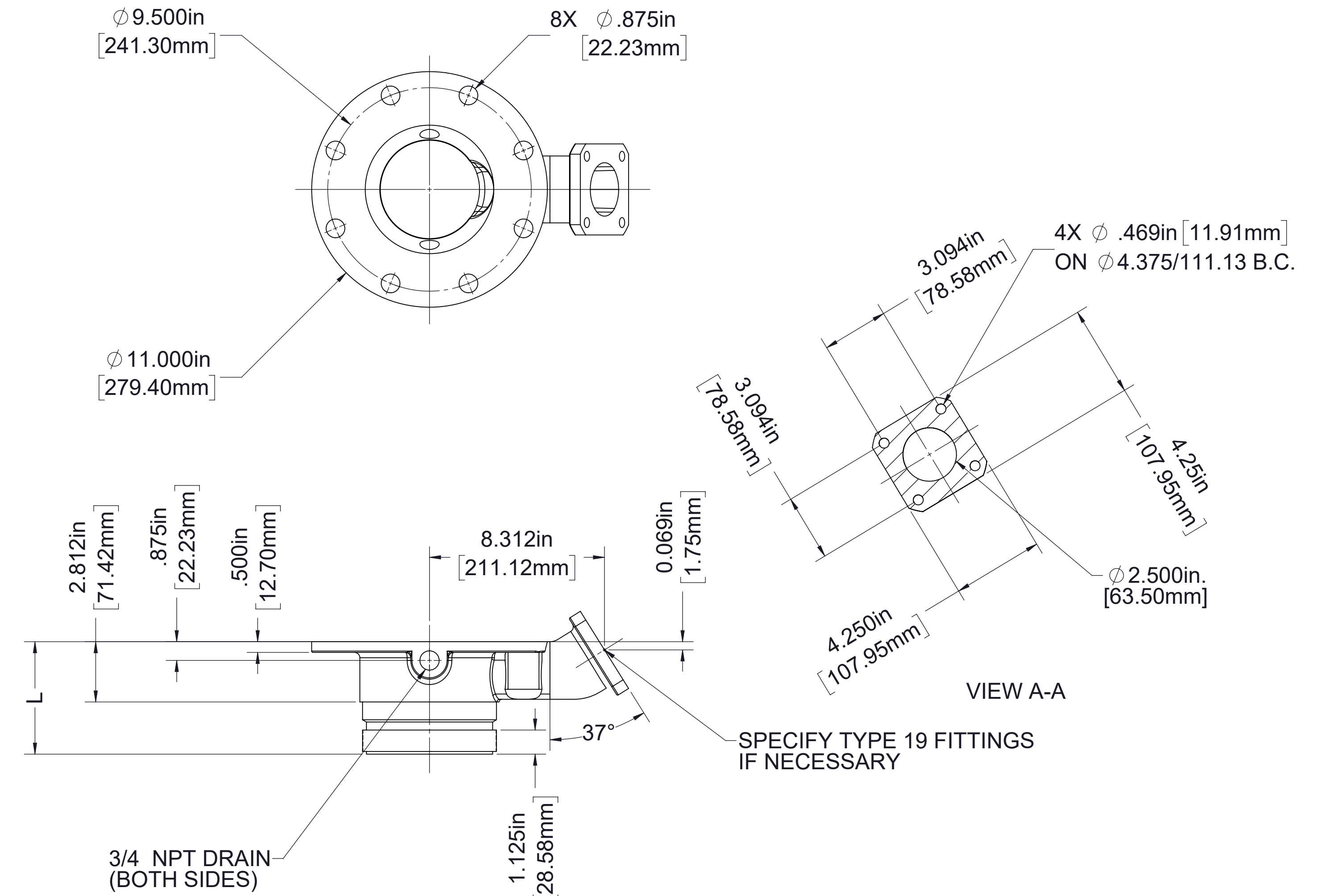


NIPPLE PART NO.		MOUNTED ON BUTTERFLY VALVE	THREAD SIZE	B	L	FLANGE		INCLUDES GASKET	
NO INTAKE FITTING LENGTH						DIA D	DIA E		
OTHER THAN 6.750	6.750								
SEE TYPE 12 FITTINGS	72453-2A	YES	6.0 IN. NH	.875/22.23	1.000/25.40	3.375/85.73	11.000/279.40	9.500/241.30	73760
	72572-2A				5.250/133.35				
	72578-2A				6.250/158.75				
	72579-2A				7.250/184.15				

(USE WITH FLANGED SECTION 1 AND SECTION 2 INTAKE FITTINGS ON DPL81867)

6 IN. JAMESBURY BUTTERFLY VALVES  
SEE DRAWING DPL83723

**NIPPLES WITH DUMP VALVE FLANGE**



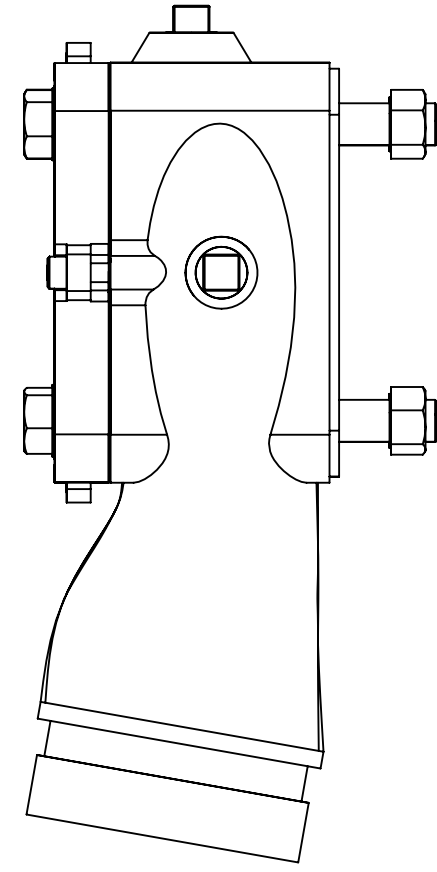
NIPPLE PART NO.		MOUNTED ON BUTTERFLY VALVE	THREAD SIZE	L	INCLUDES GASKET
NO					
YES					
72818-A	SEE DPL83723	YES	5.0 IN. NH	5.250/133.35	73760
72819-A				6.250/158.75	
72820-A				7.250/184.15	
72716-A				5.250/133.35	
72717-A	6.0 IN. NH	YES	6.0 IN. NH	6.250/158.75	73760
72718-A				7.250/184.15	

(USE WITH FLANGED SECTION 1 AND SECTION 2 INTAKE FITTINGS ON DPL81867)

**NOTES:**

1. ALL FITTINGS ARE AVAILABLE IN IRON OR BRONZE UNLESS OTHERWISE SPECIFIED. ADD "-BZ" SUFFIX TO PART NUMBER FOR BRONZE FITTINGS.
2. SPECIFY WHERE EACH FITTING IS TO BE MOUNTED. ALL FITTINGS INCLUDE GASKET AND MOUNTING HARDWARE.
3. ALL DIMENSIONS SHOWN AS INCH/MILLIMETER.

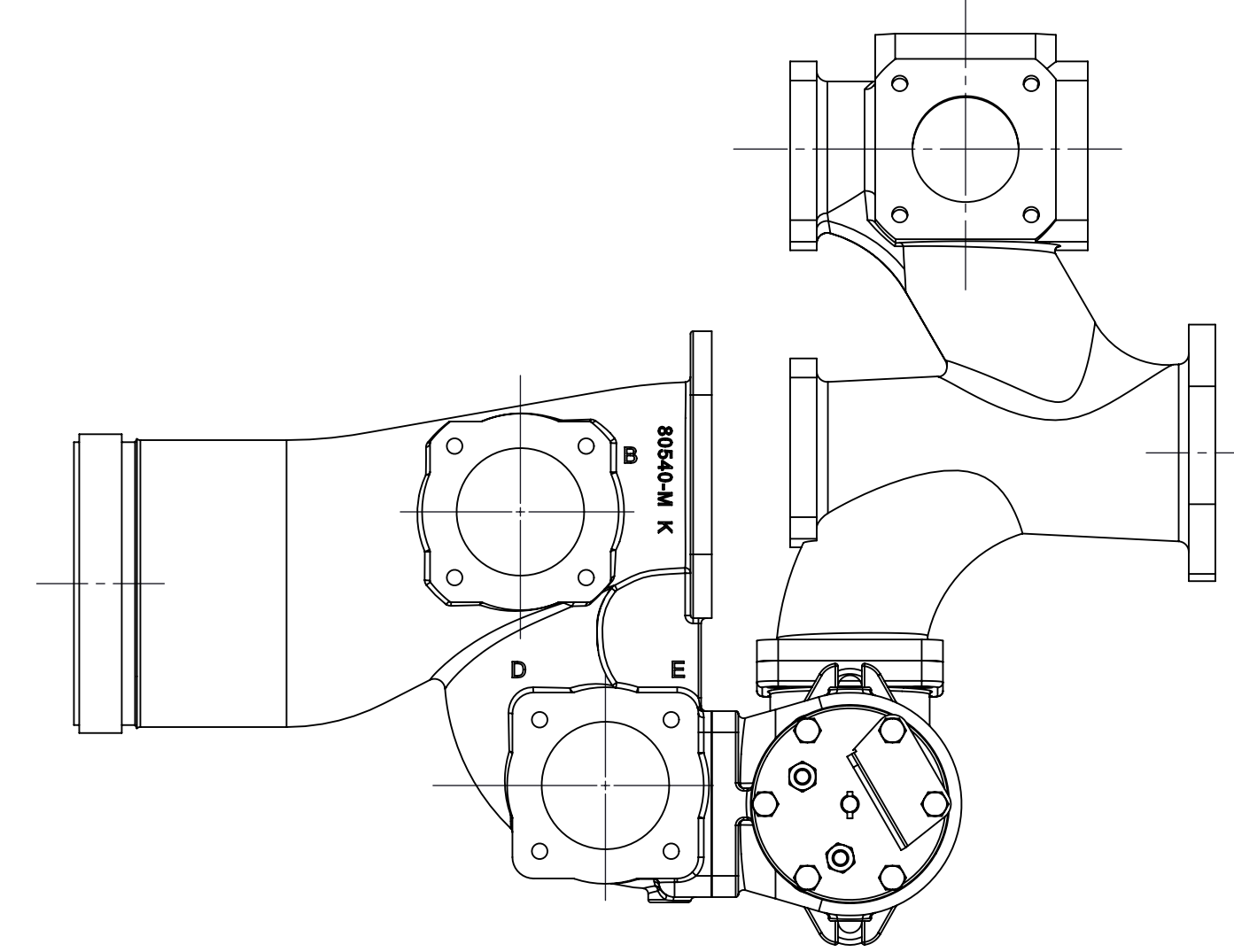
**TYPE 19 - FITTINGS FOR DUMP FLANGE ON INTAKE NIPPLES  
INTAKE RELIEF VALVE**



PART NO.
82256-6

MOUNT INTAKE RELIEF VALVE  
REFER TO DIMENSIONAL DRAWING DPL82084-5

**TYPE 20 - FITTINGS FOR RELIEF VALVE EXTENSION  
MOUNT DISCHARGE RELIEF VALVE**

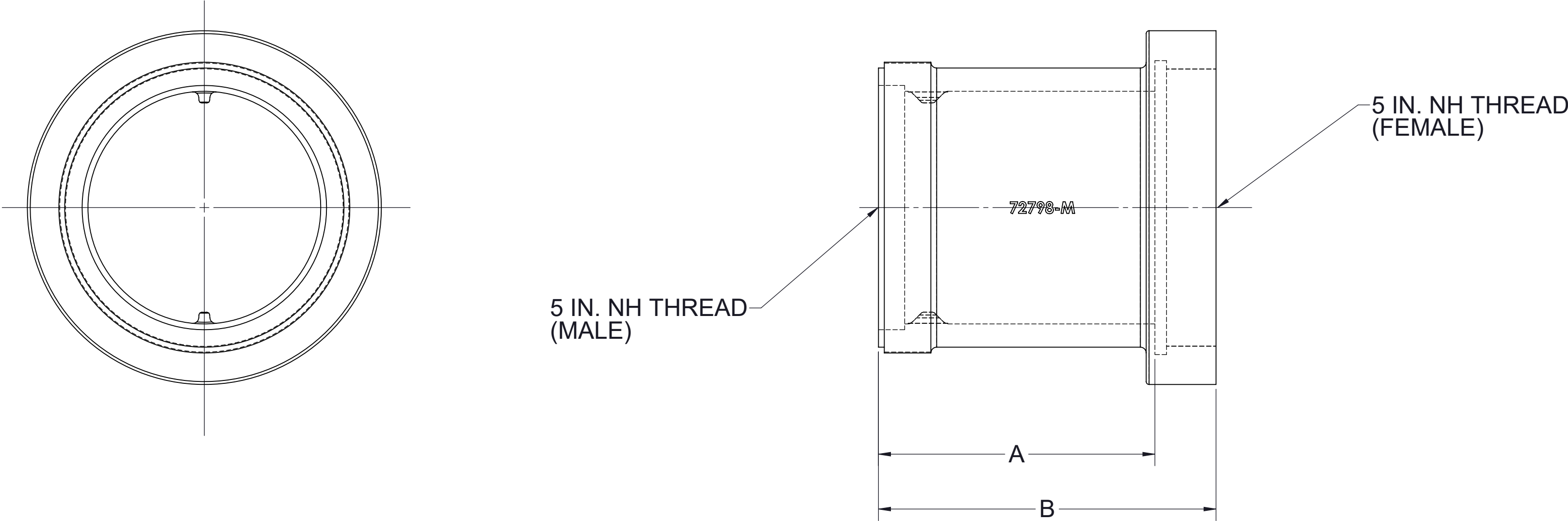


MOUNT RELIEF VALVE ON EXTENSION BETWEEN INTAKE AND DISCHARGE FITTINGS  
REFER TO DIMENSIONAL DRAWING DPL82084-1 OR DPL82084-2 FOR ADDITIONAL DETAILS

- NOTES:
1. ALL FITTINGS ARE AVAILABLE IN IRON OR BRONZE UNLESS OTHERWISE SPECIFIED, ADD "-BZ" SUFFIX TO PART NUMBER FOR BRONZE FITTINGS.
  2. SPECIFY WHERE EACH FITTING IS TO BE MOUNTED. ALL FITTINGS INCLUDE GASKET AND MOUNTING HARDWARE.
  3. ALL DIMENSIONS SHOWN AS INCH/MILLIMETER.

**TYPE 23 - FITTINGS FOR 5 IN. THREADED ENDS ON INTAKE FITTINGS**

**THREADED INTAKE FITTING EXTENSIONS**



EXTENSION PART NO.	THREAD SIZE	A (EXT. LENGTH)	B (OVERALL LENGTH)	INCLUDES GASKET
72798-A	5 IN NH.	6.500/165.10	7.625/193.68	63203

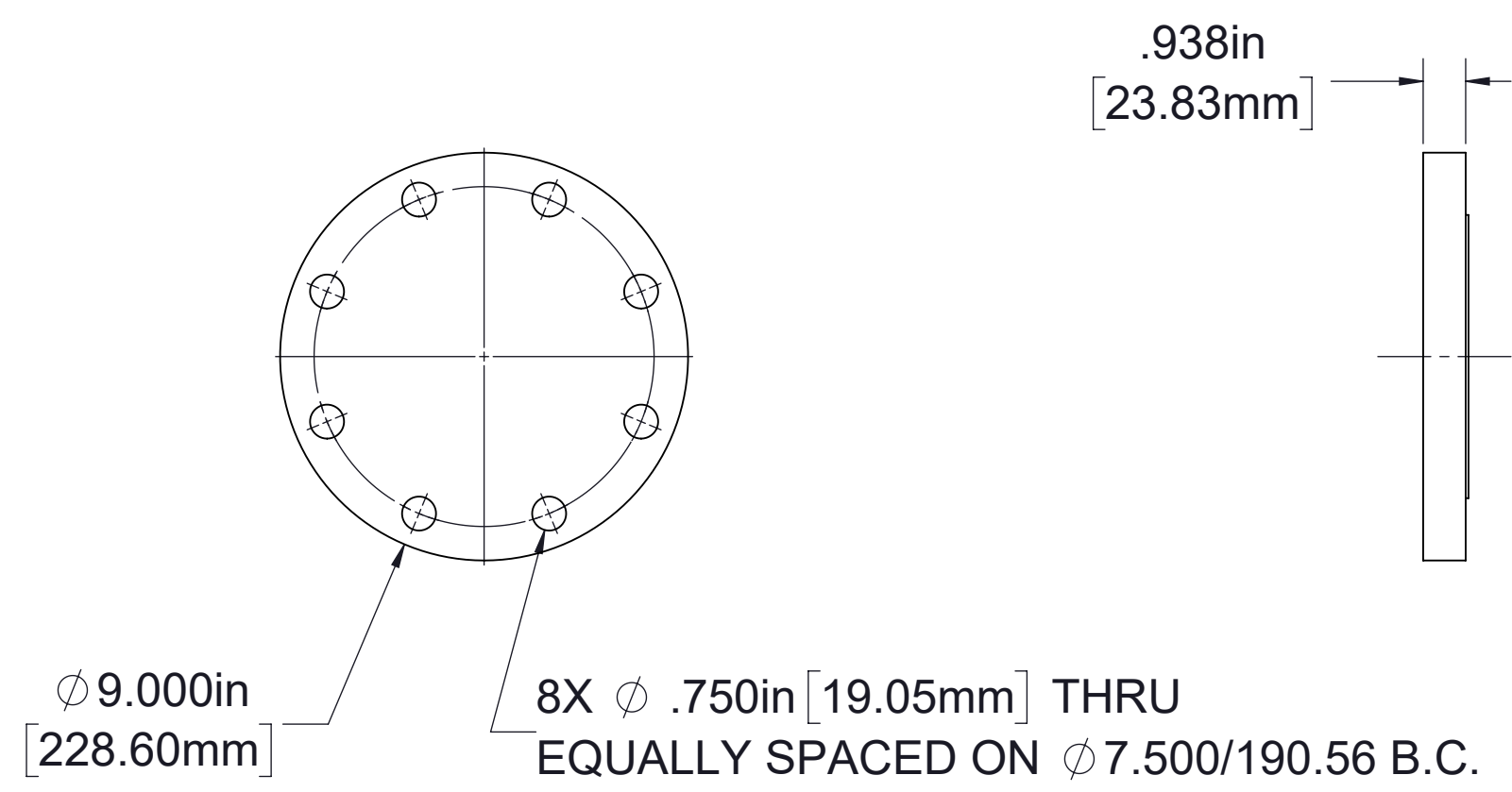
USE TO EXTEND 5 IN. NH THREADED FITTINGS  
(IRON ONLY AVAILABLE)

- NOTES:
1. ALL FITTINGS ARE AVAILABLE IN IRON OR BRONZE UNLESS OTHERWISE SPECIFIED, ADD "-BZ" SUFFIX TO PART NUMBER FOR BRONZE FITTINGS.
  2. SPECIFY WHERE EACH FITTING IS TO BE MOUNTED. ALL FITTINGS INCLUDE GASKET AND MOUNTING HARDWARE.
  3. ALL DIMENSIONS SHOWN AS INCH/MILLIMETER.



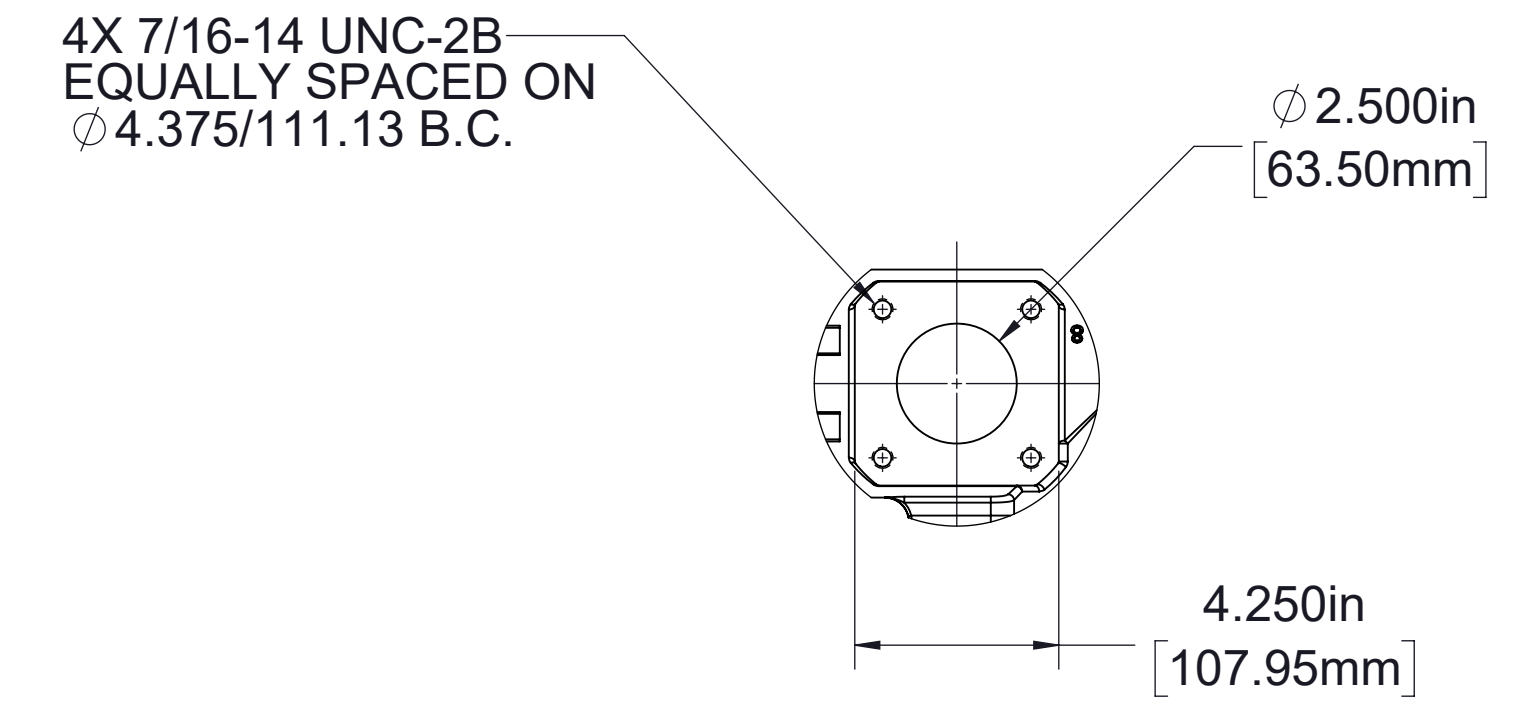
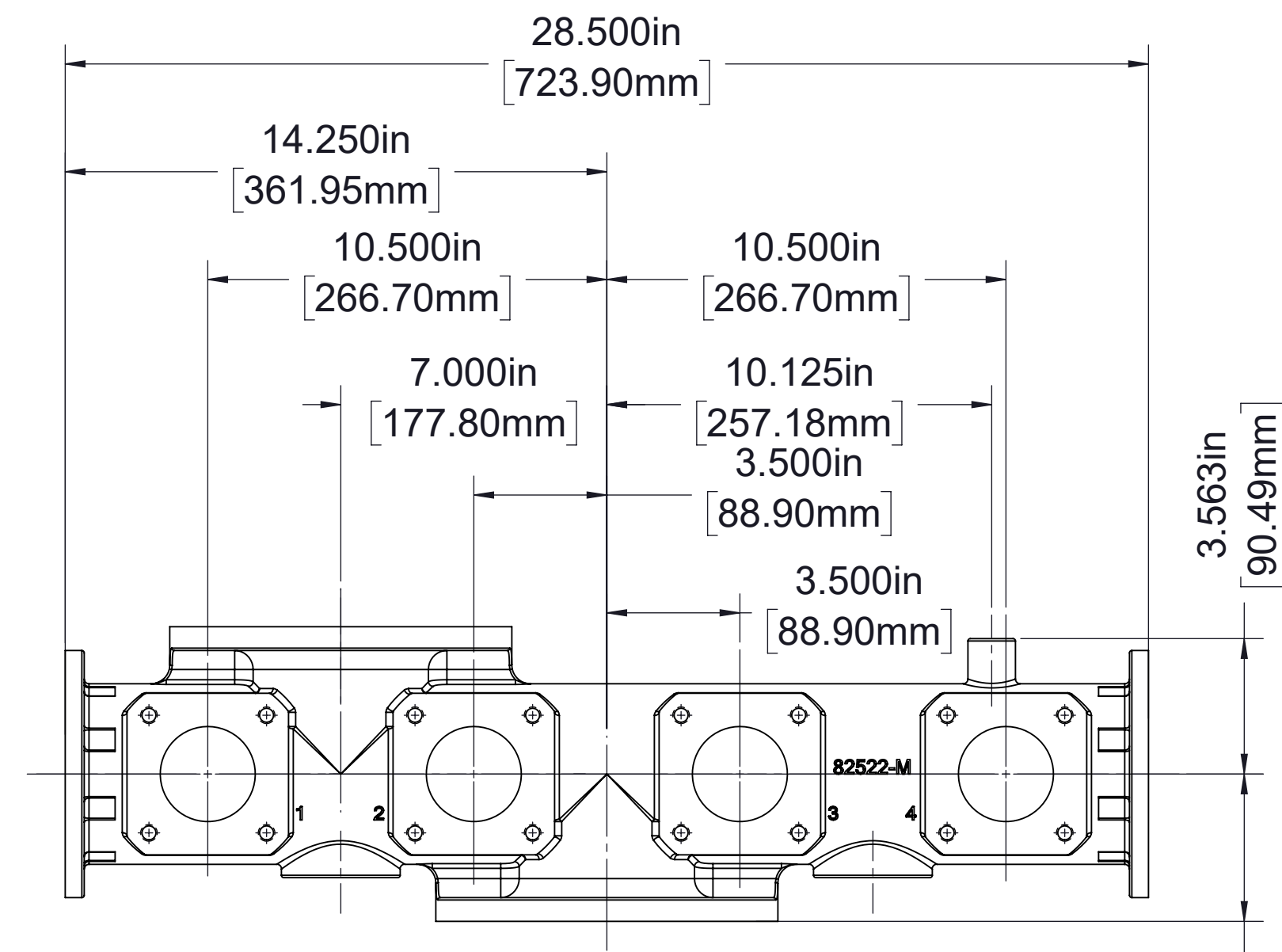
**TYPE 24 - FITTINGS FOR 4 IN. ANSI FLANGE**

**FLANGE**

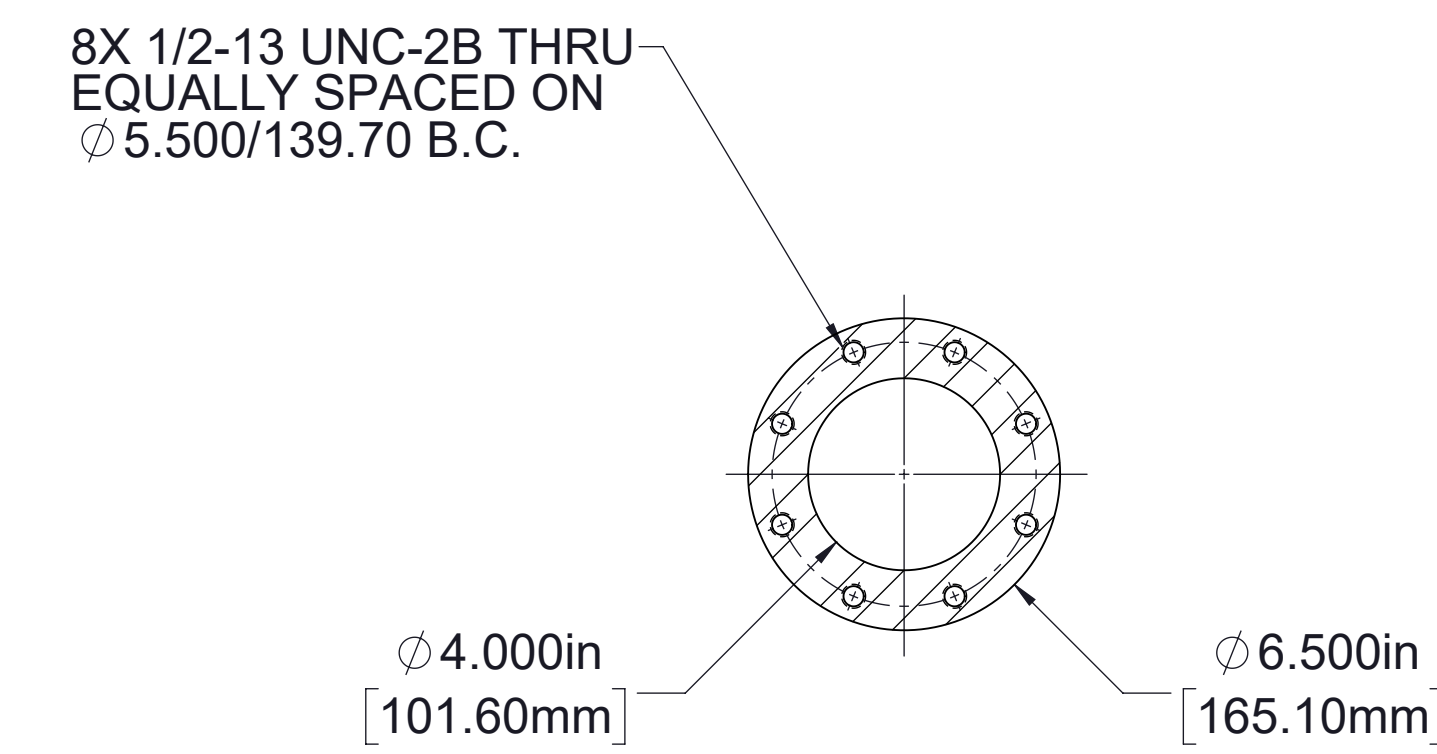


PART NO.	DESCRIPTION	INCLUDES GASKET
V3338-A	BLIND FLANGE 4 IN. ANSI	62476

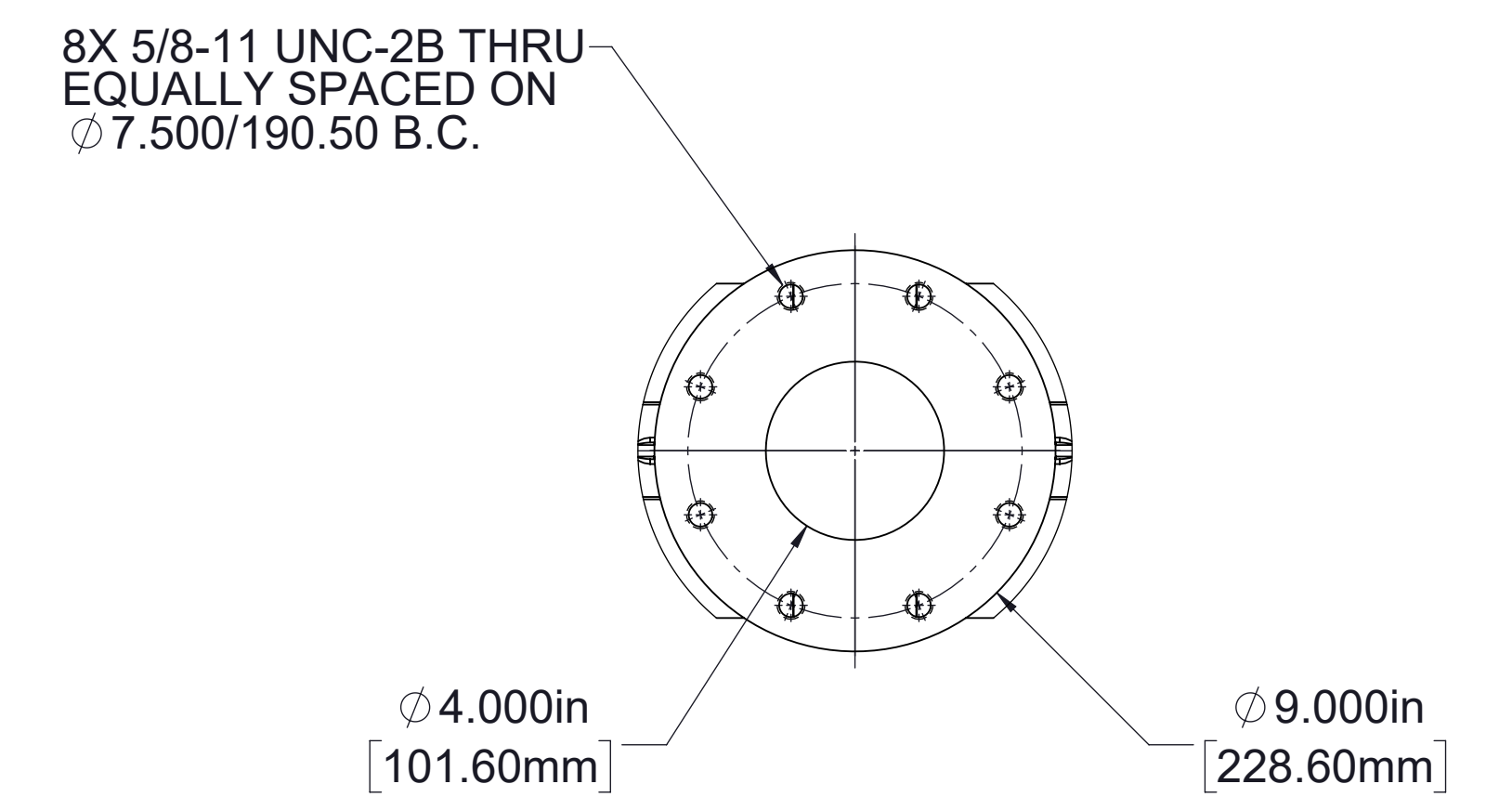
(IRON ONLY AVAILABLE)



**DETAIL A**



**DETAIL B**

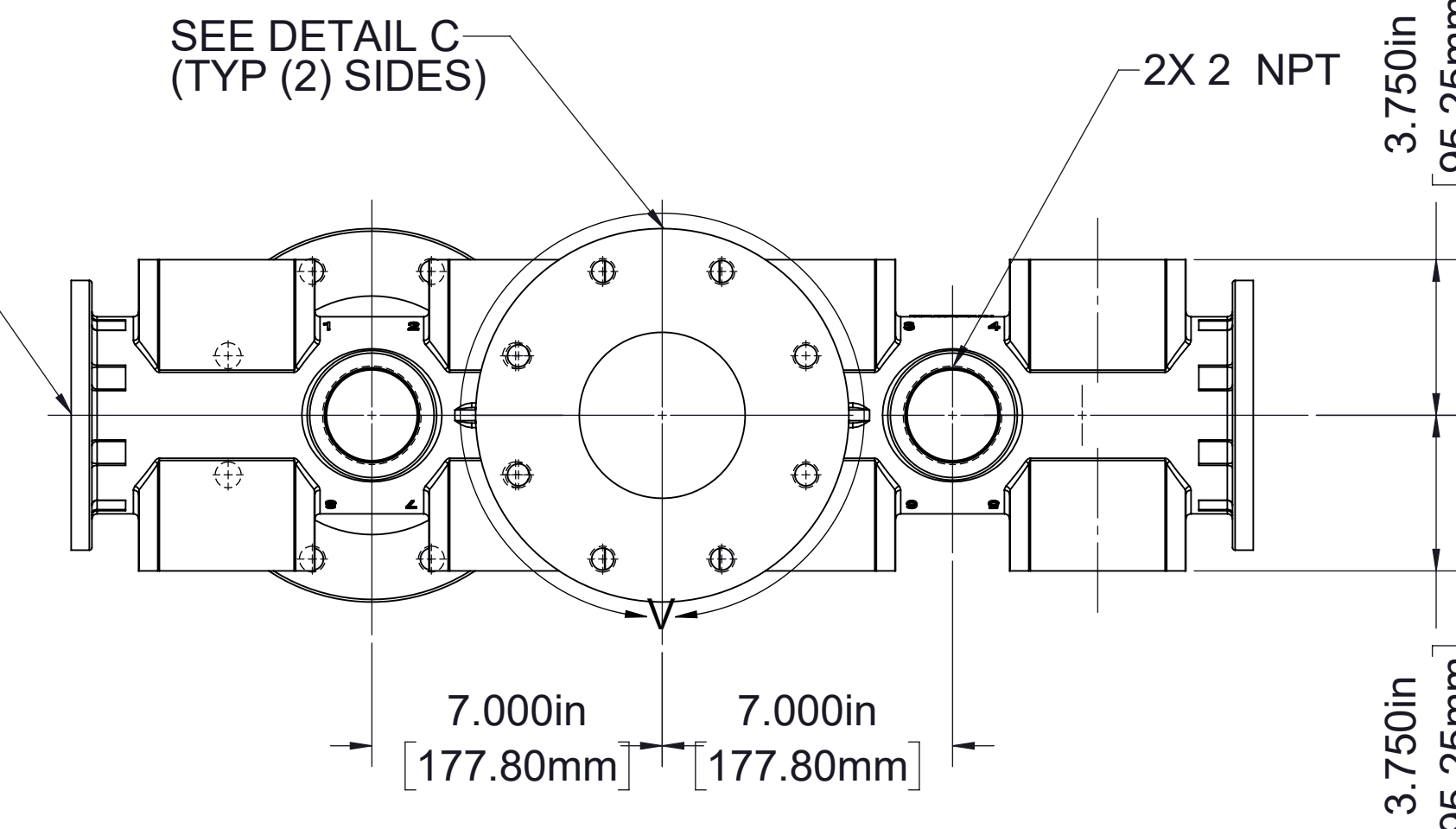
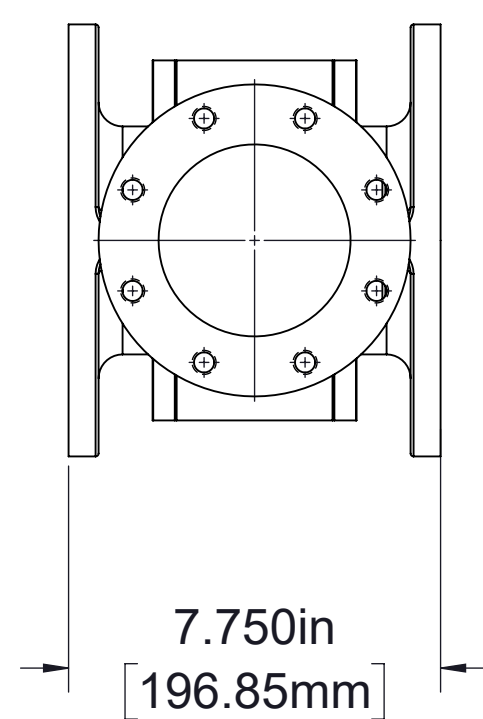


**DETAIL C**

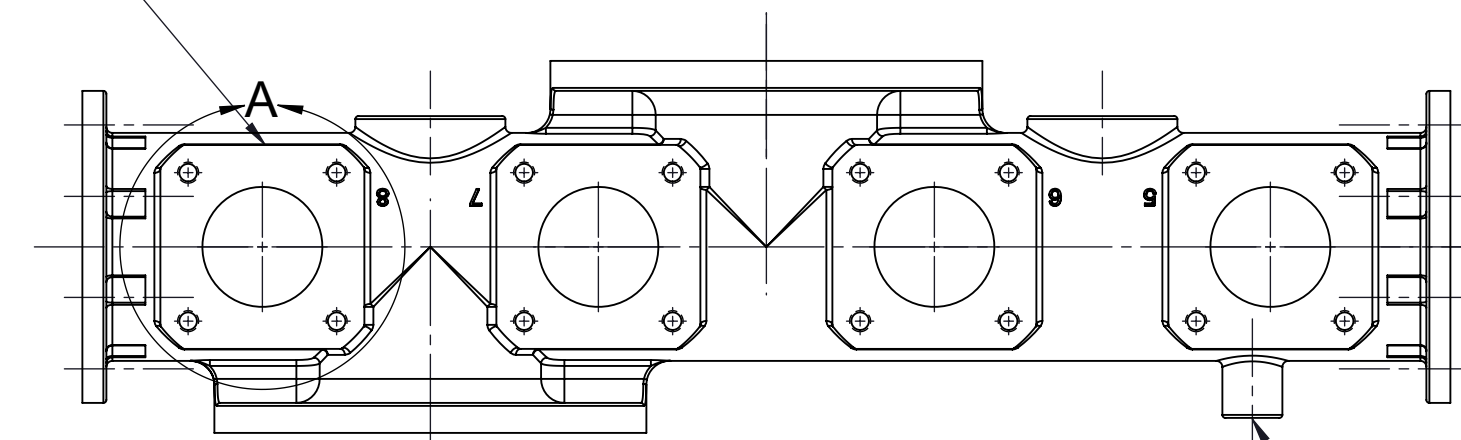
SEE DETAIL B  
(TYP (2) ENDS)

SEE DETAIL C  
(TYP (2) SIDES)

2X 2 NPT



SEE DETAIL A  
(TYP (8) PADS)



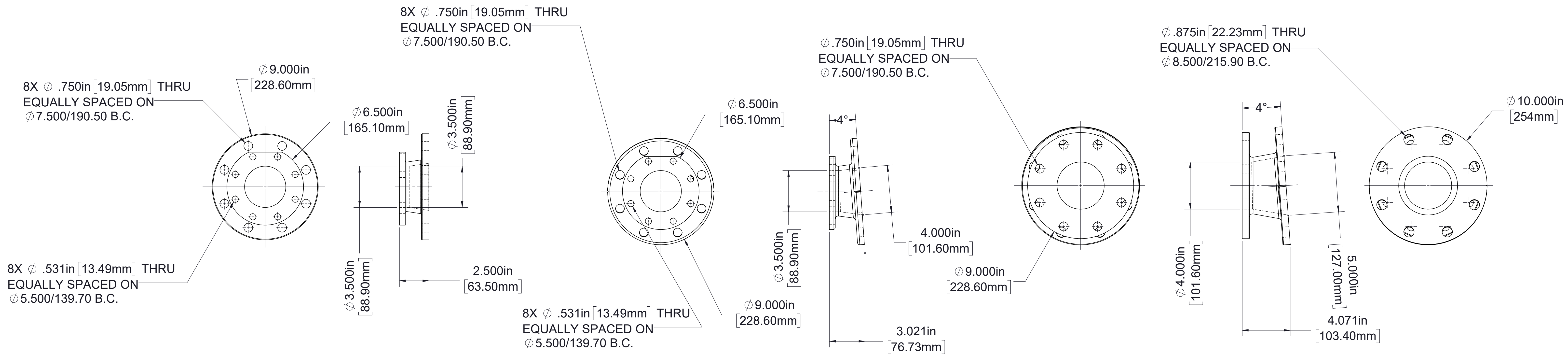
PART NO.	DESCRIPTION
82522	DISCHARGE MANIFOLD

(IRON ONLY AVAILABLE)

- NOTES:**  
1. ALL FITTINGS INCLUDE GASKET AND MOUNTING HARDWARE.  
2. ALL DIMENSIONS SHOWN AS INCH/MILLIMETER.

**TYPE 24 - FITTINGS FOR 4 IN. ANSI FLANGE**

**ADAPTERS**



PART NO.	DESCRIPTION	INCLUDES GASKET
72402-1A	4 IN. ANSI FLANGE TO 3-1/2 (8) BOLT ADAPTER	62476

PART NO.	DESCRIPTION	INCLUDES GASKET
72797-1A	4 IN. ANGLE COMPENSATED FLANGE TO 3-1/2 (8) BOLT ADAPTER	62476

PART NO.	DESCRIPTION	INCLUDES GASKET
72885-A	4 IN. ANSI TO 5 IN. ANSI ANGLE COMPENSATED FLANGE ADAPTER	62476

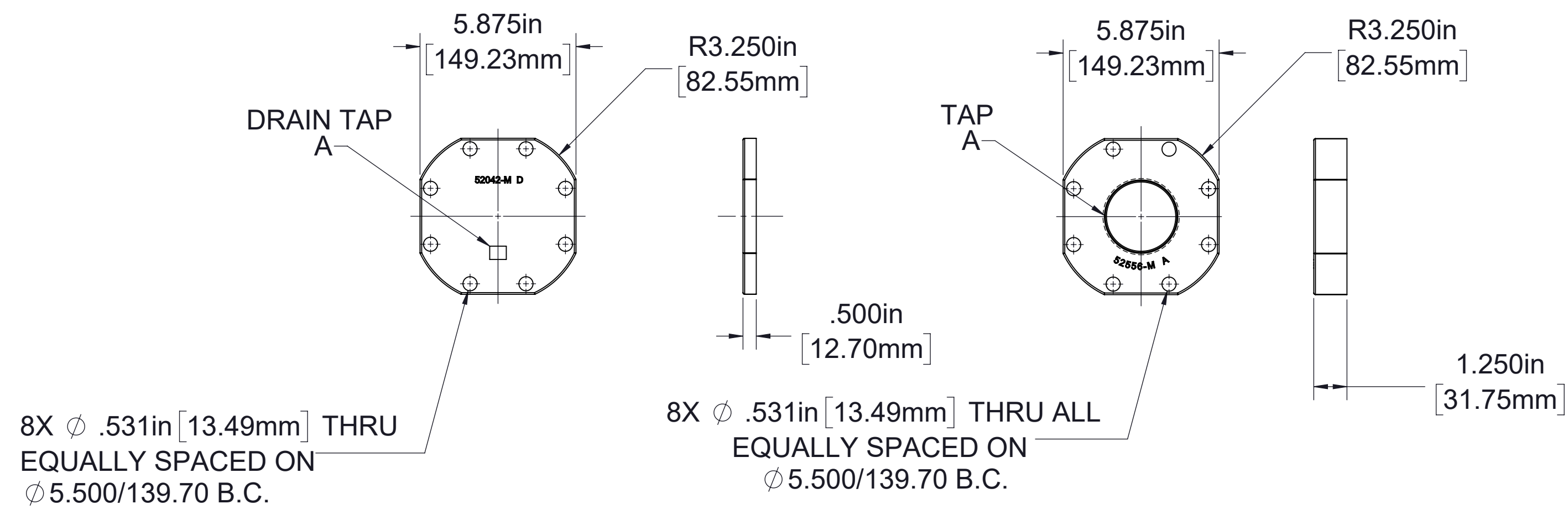
(IRON ONLY AVAILABLE)

- NOTES:
1. ALL FITTINGS ARE AVAILABLE IN IRON OR BRONZE UNLESS OTHERWISE SPECIFIED, ADD "-BZ" SUFFIX TO PART NUMBER FOR BRONZE FITTINGS.
  2. SPECIFY WHERE EACH FITTING IS TO BE MOUNTED. ALL FITTINGS INCLUDE GASKET AND MOUNTING HARDWARE.
  3. ALL DIMENSIONS SHOWN AS INCH/MILLIMETER.



TYPE 25 - FITTINGS FOR 3-1/2 IN. FRONT DISCHARGE ON CM/CS PUMPS

FLANGES

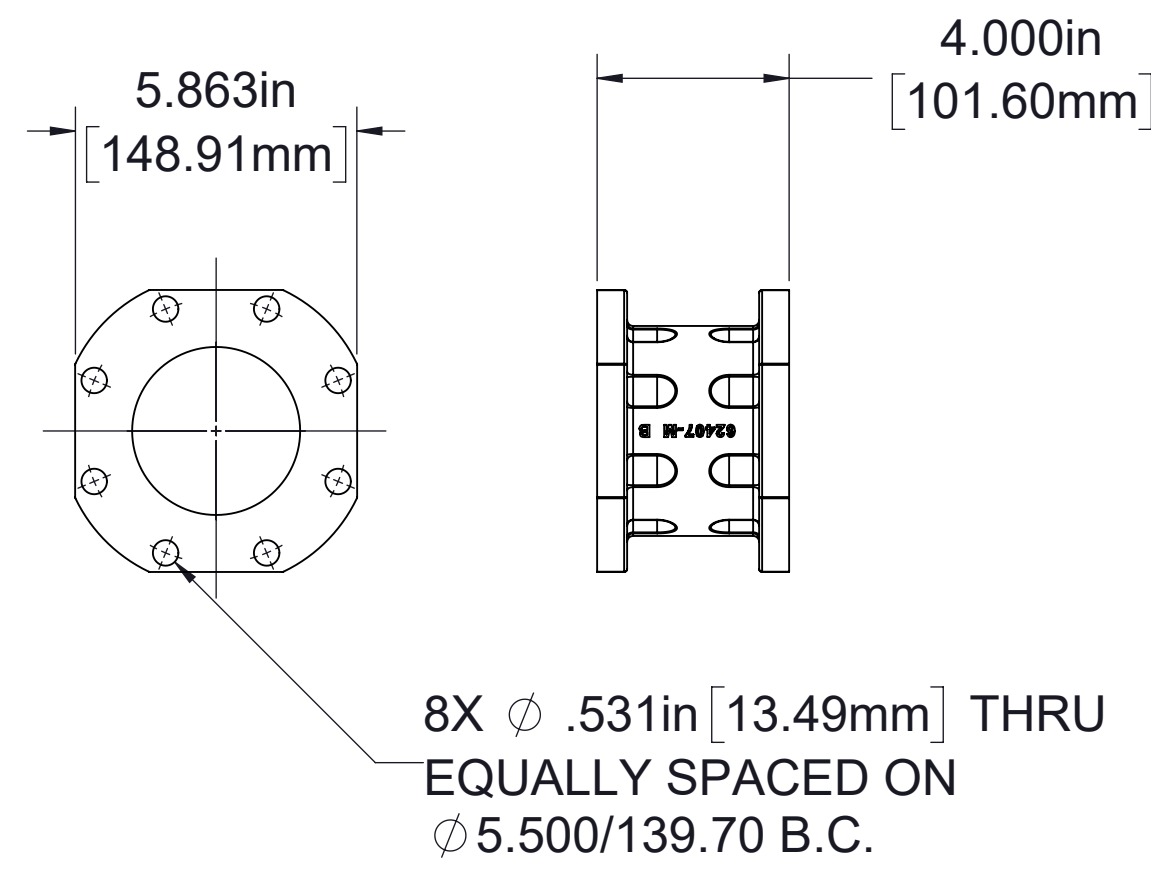


PART NO.	DESCRIPTION	DRAIN TAP A	INCLUDES O-RING
52042-2A	BLIND FLANGE WITH DRAIN	3/8 NPT	W3770-4

PART NO.	DESCRIPTION	TAP A	INCLUDES GASKET OR O-RING
52556-1A	TAPPED FLANGE	2-1/2 NPT	W3770-4
*51744-2A		3 NPT	
*51744-3A		3-1/2 NPT	
51744-4A		4 NPT	51195

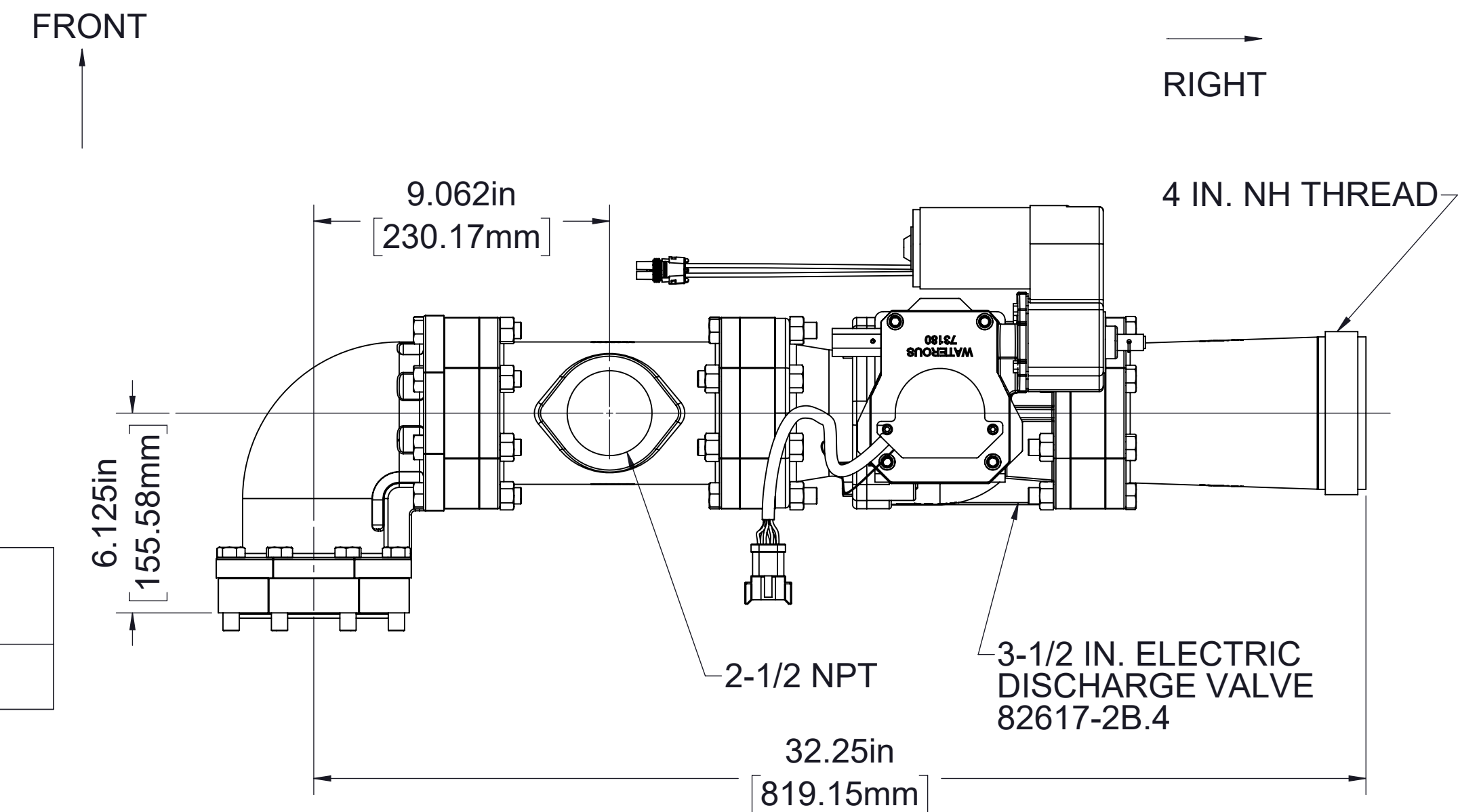
\*AVAILABLE IN IRON ONLY

EXTENSION



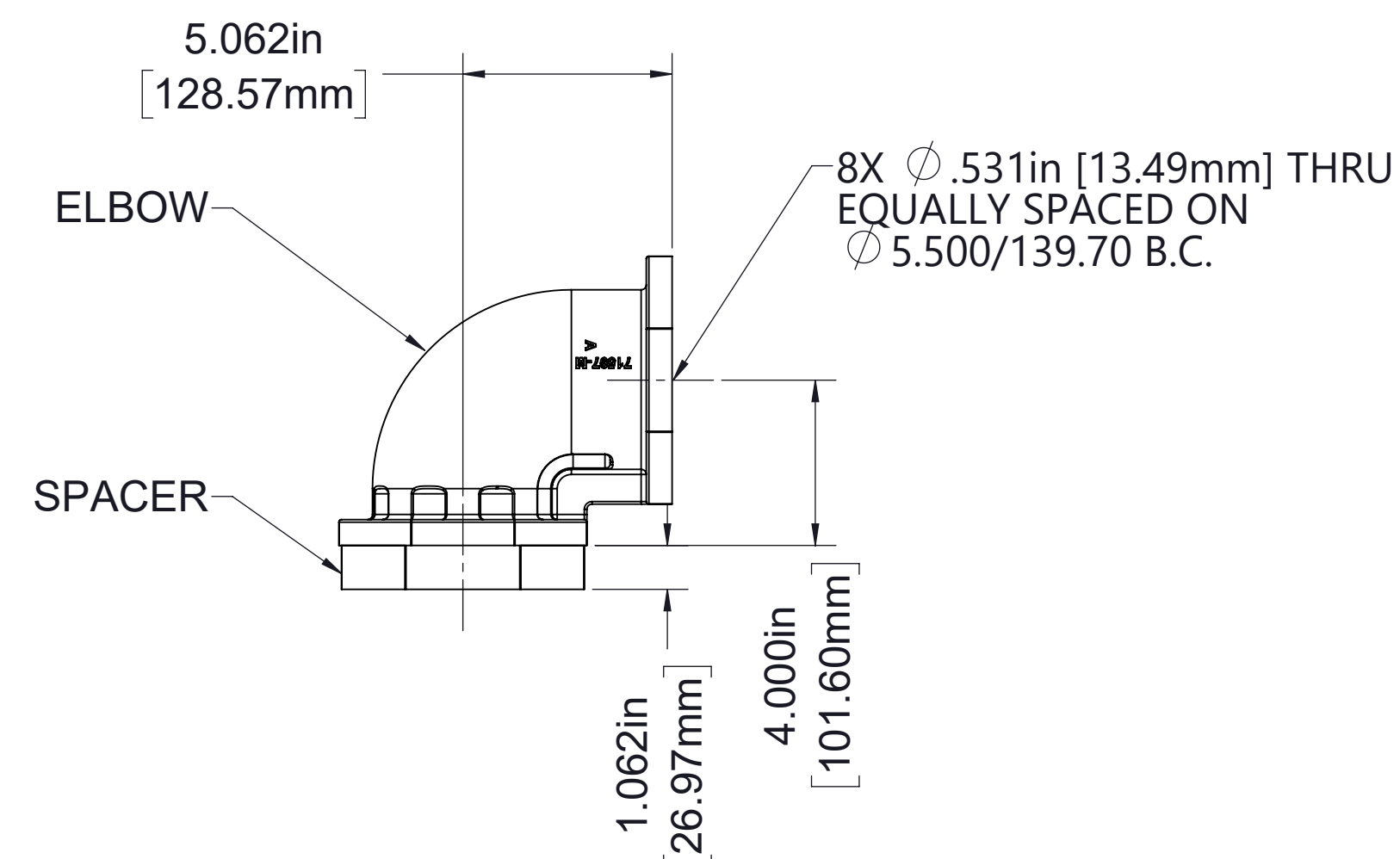
PART NO.	DESCRIPTION	INCLUDES O-RING
62408-AA	EXTENSION, 4 IN.	W3770-4

FRONT DISCHARGE PIPING ASSY



PART NO.	DESCRIPTION	INCLUDES O-RING
82621-1A	FRONT DISCHARGE PIPING ASSEMBLY	W3770-4

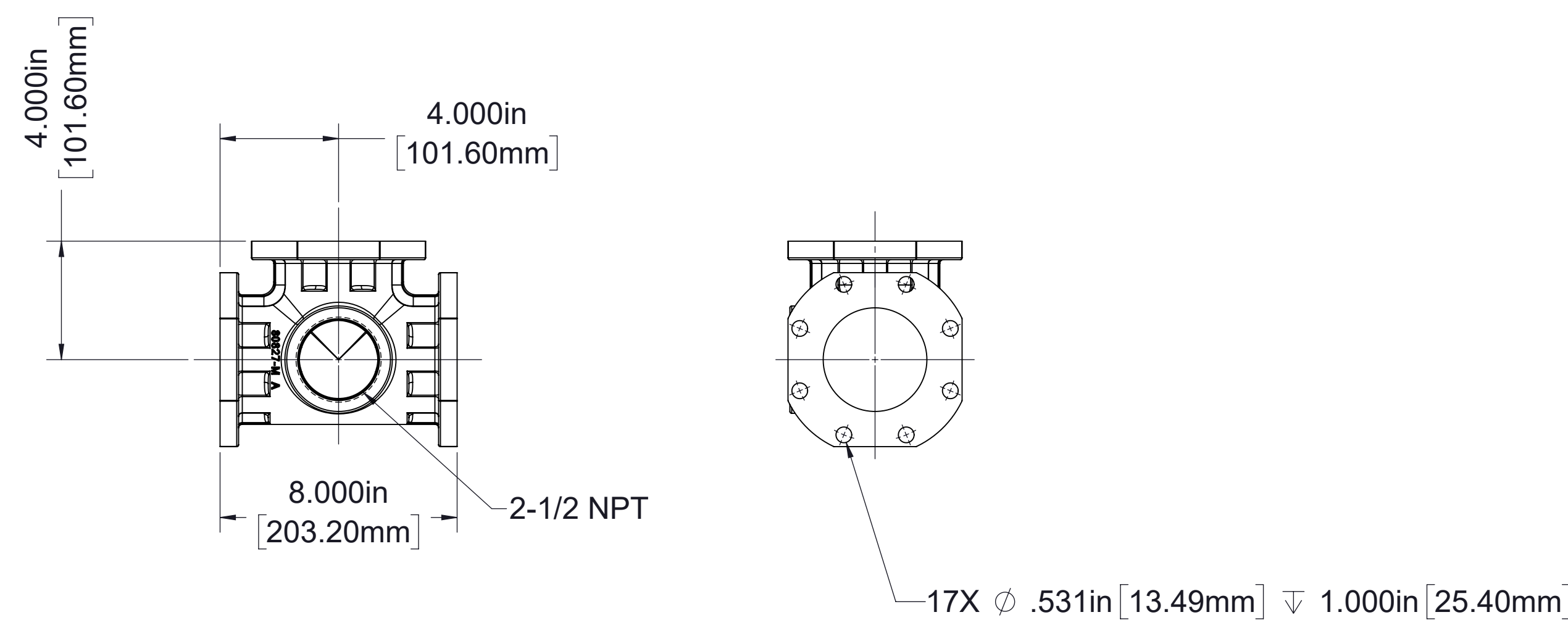
ELBOW



PART NO.	DESCRIPTION	SPACER	INCLUDES O-RING
71597-AA	90° ELBOW	NO	W3770-4
71597-AAS	90° ELBOW WITH SPACER	YES	

SPECIFY MOUNTING: OUTLET LEFT, RIGHT, UP OR DOWN. ALSO SPECIFY WHICH LEG LENGTH, SHORT OR LONG TO BE FORWARD.

TEES



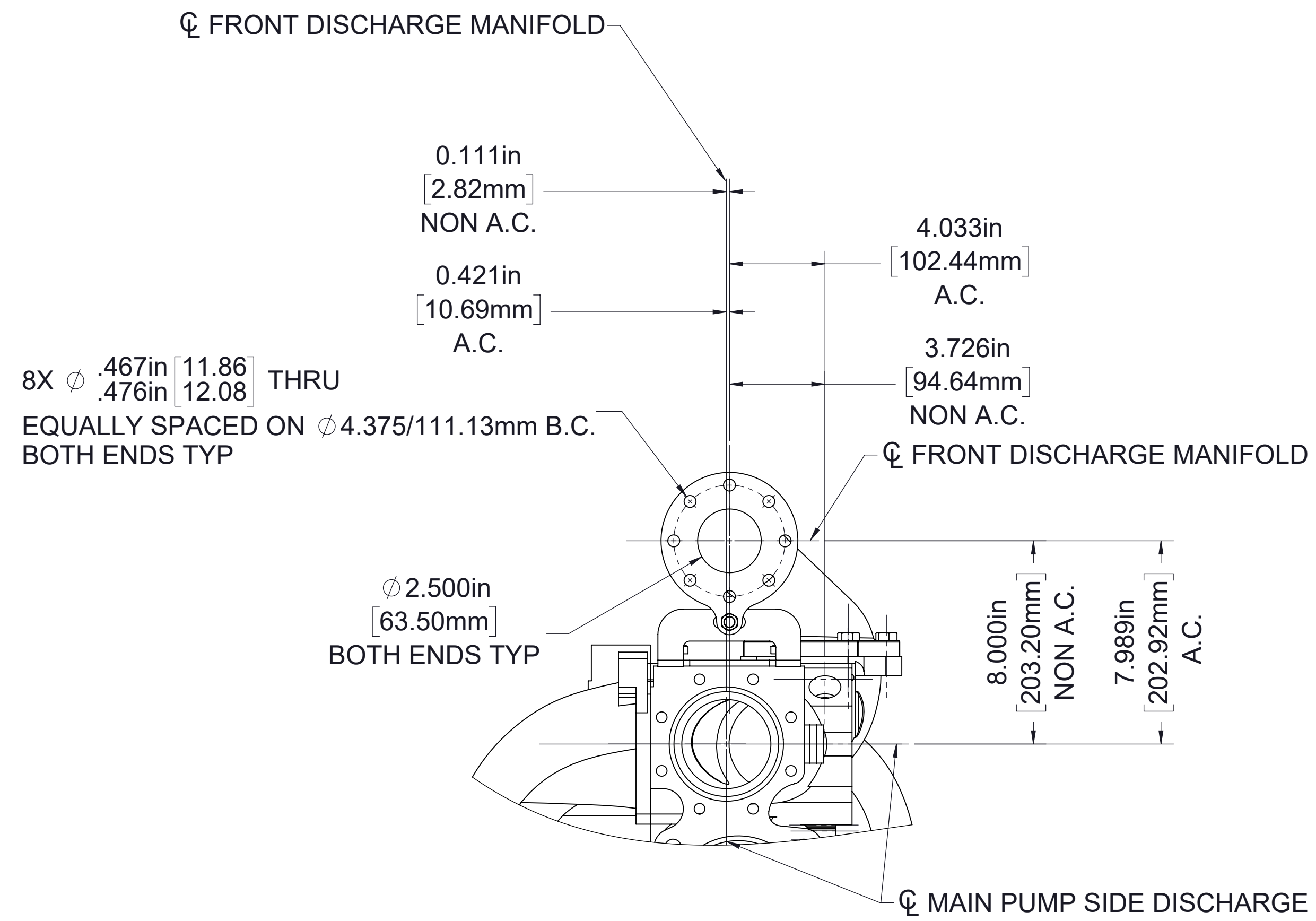
PART NO.	DESCRIPTION	INCLUDES O-RING
80827-1AA	TEE	W3770-4

AVAILABLE IN IRON ONLY

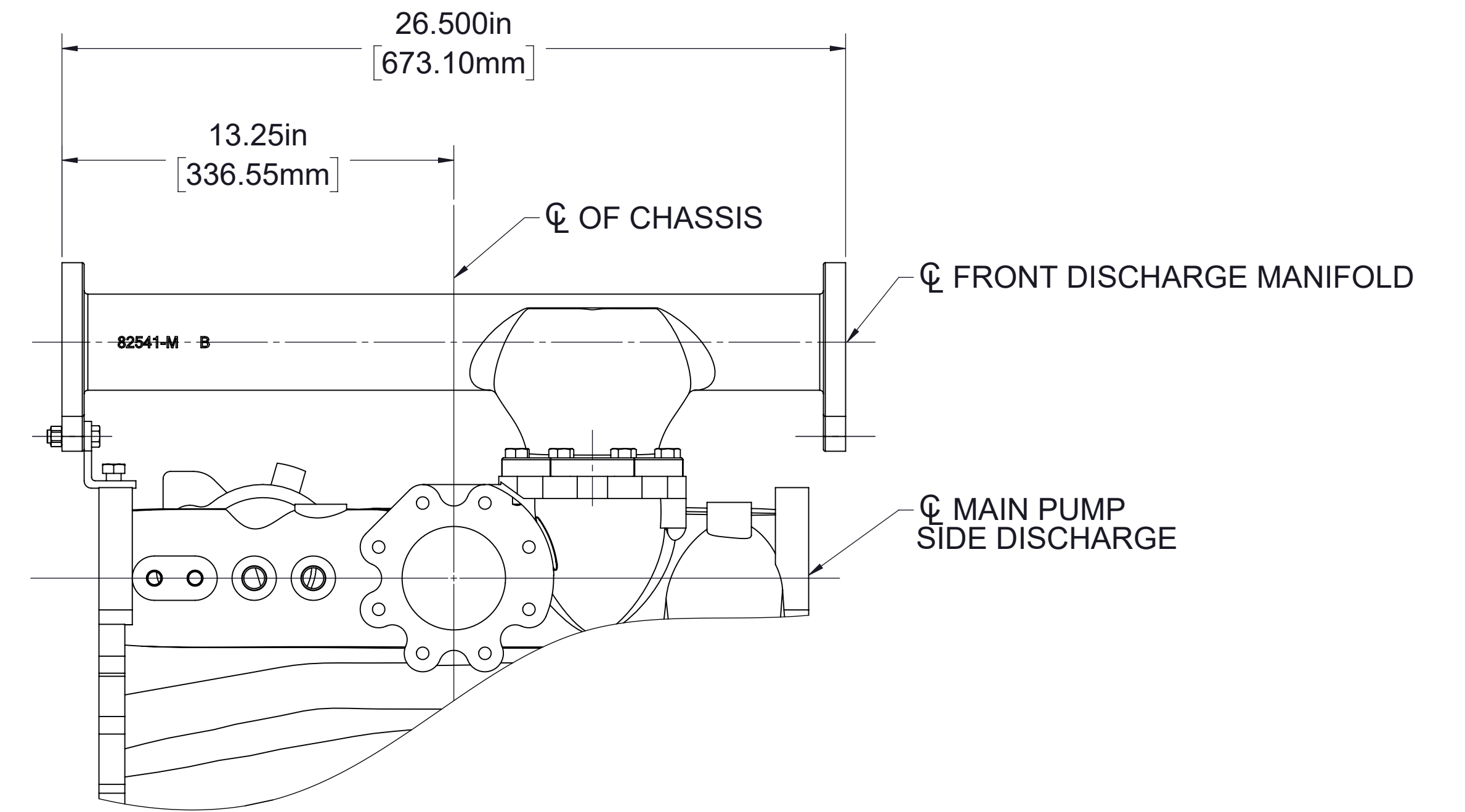
NOTES:

1. ALL FITTINGS ARE AVAILABLE IN IRON OR BRONZE UNLESS OTHERWISE SPECIFIED. ADD "-BZ" SUFFIX TO PART NUMBER FOR BRONZE FITTINGS.
2. SPECIFY WHERE EACH FITTING IS TO BE MOUNTED. ALL FITTINGS INCLUDE GASKET AND MOUNTING HARDWARE.
3. ALL DIMENSIONS SHOWN AS INCH/MILLIMETER.

**TYPE 25 - FITTINGS FOR 3-1/2 IN. FRONT DISCHARGE ON CM/CS PUMPS**



**MANIFOLD**



PART NO.	DESCRIPTION
82551	FRONT DISCHARGE MANIFOLD

**NOTES:**

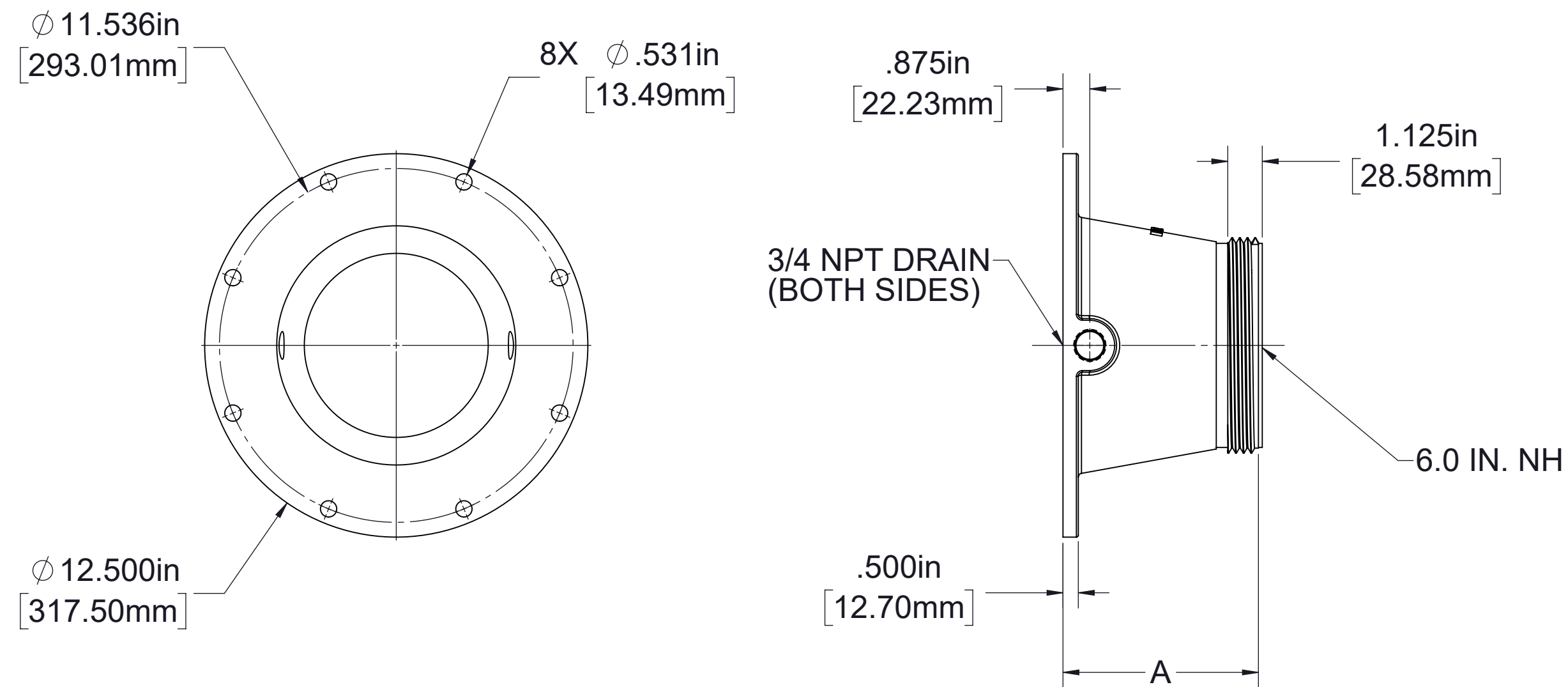
1. ALL FITTINGS ARE AVAILABLE IN IRON OR BRONZE UNLESS OTHERWISE SPECIFIED, ADD "-BZ" SUFFIX TO PART NUMBER FOR BRONZE FITTINGS.
2. SPECIFY WHERE EACH FITTING IS TO BE MOUNTED. ALL FITTINGS INCLUDE GASKET AND MOUNTING HARDWARE.
3. ALL DIMENSIONS SHOWN AS INCH/MILLIMETER.



**TYPE 30 - FITTINGS FOR OVERSIZED PANT LEG INTAKE FITTING 82952**

**THREADED NIPPLES**

**NIPPLE WITHOUT DUMP VALVE FLANGE**

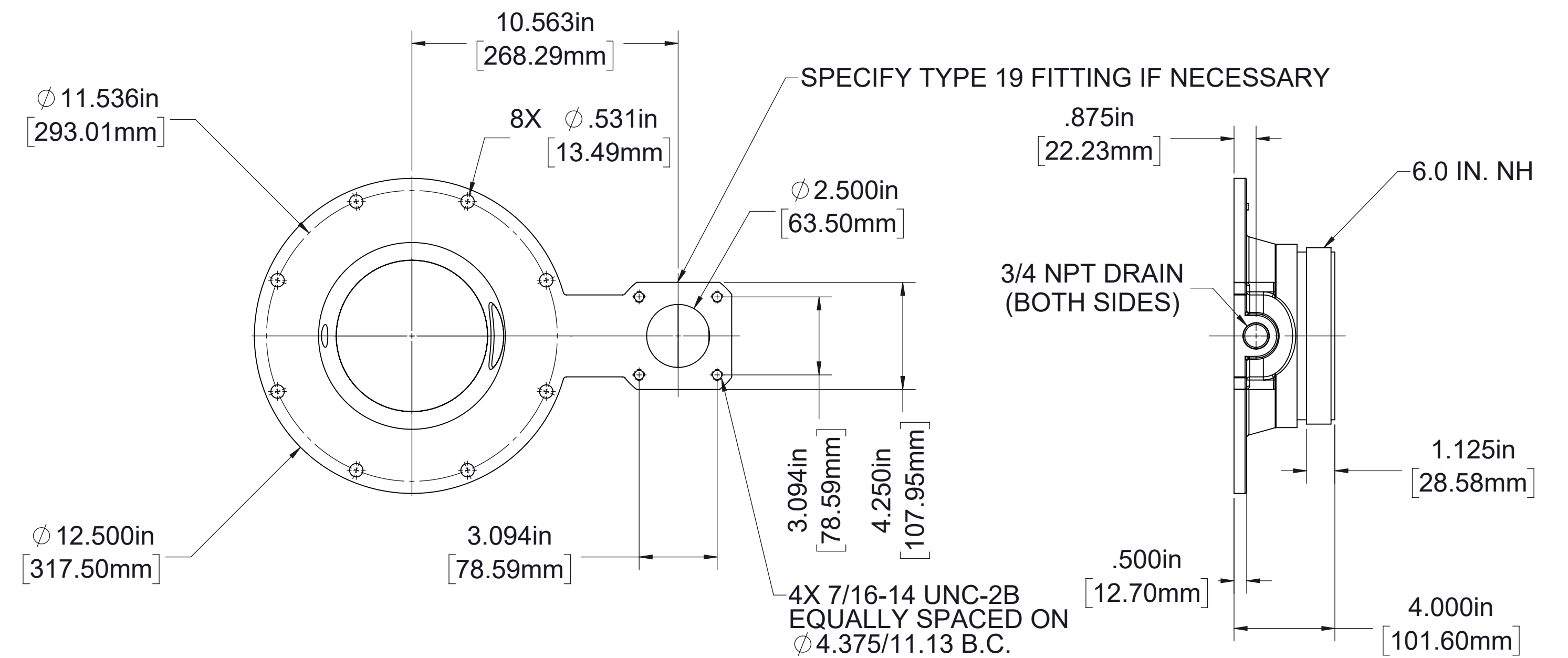


NIPPLE PART NO.		A	INCLUDES GASKET
MOUNTED ON BUTTERFLY VALVE			
	NO		
	YES		
82957-A	SEE TYPE 31 FITTINGS	6.500/165.10	73761
83263-A		4.000/101.60	

(USE WITH FLANGED SECTION 2 INTAKE FITTINGS ON DPL81867)

8 IN. JAMESBURY BUTTERFLY VALVE  
SEE DRAWING DPL83723

**NIPPLE WITH DUMP VALVE FLANGE**



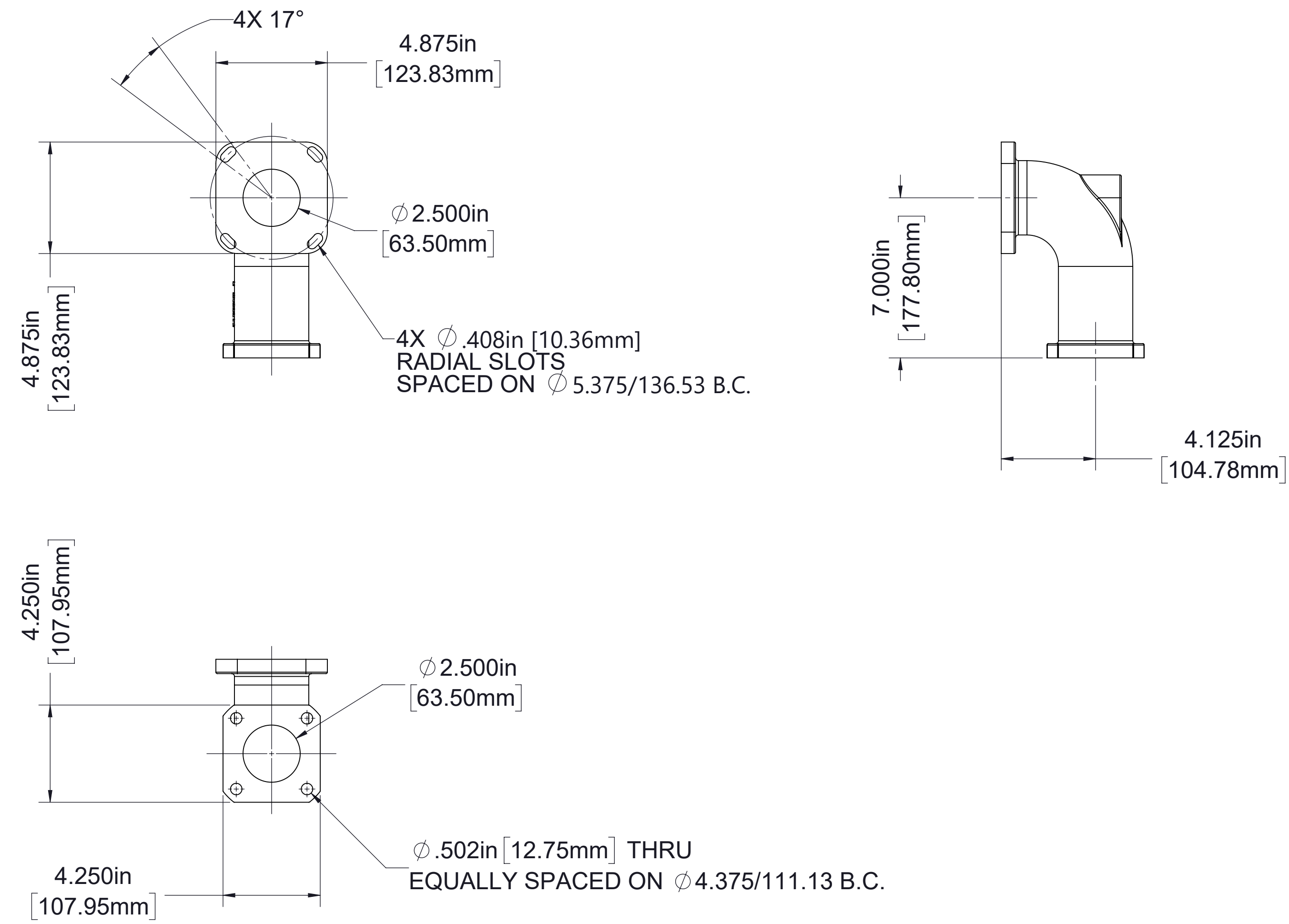
NIPPLE PART NO.		INCLUDES GASKET
MOUNTED ON BUTTERFLY VALVE		
	NO	
	YES	
82953-A	SEE TYPE 31 FITTINGS	73761

(USE WITH FLANGED SECTION 2 INTAKE FITTINGS ON DPL81867)

- NOTES:  
1. ALL FITTINGS INCLUDE GASKET AND MOUNTING HARDWARE.  
2. ALL DIMENSIONS SHOWN AS INCH/MILLIMETER.

TYPE 36 - FITTINGS FOR 2-1/2 IN. AKRON/ELKHART 4-BOLT MACHINED PADS

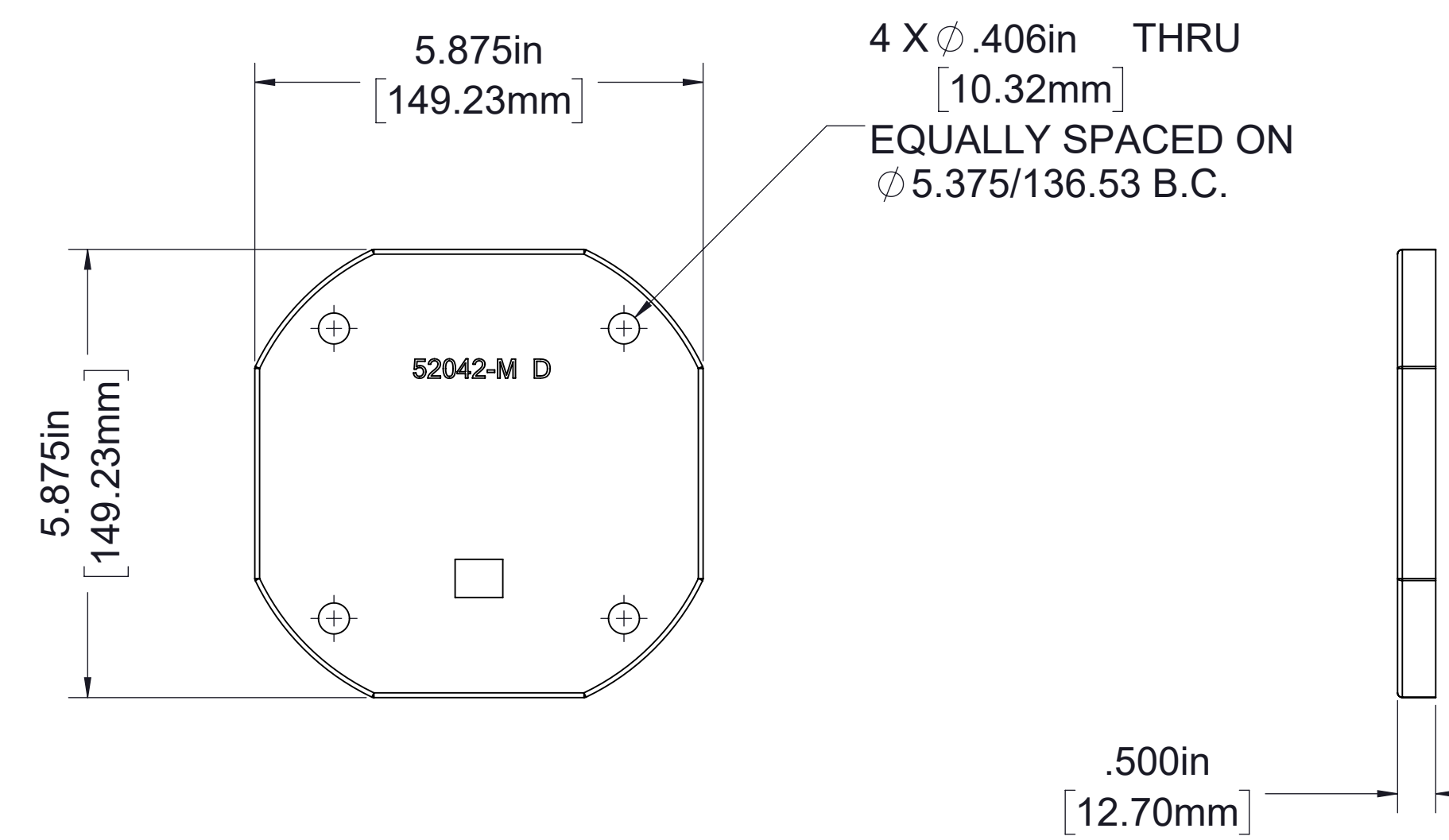
ELBOW



PART NO.	DESCRIPTION	INCLUDES GASKET
71443-2A	90° MEDIUM ELBOW	51218

(IRON ONLY AVAILABLE)

FLANGE



PART NO.	DESCRIPTION	INCLUDES O-RING
63615-A	BLIND FLANGE	W3756-4

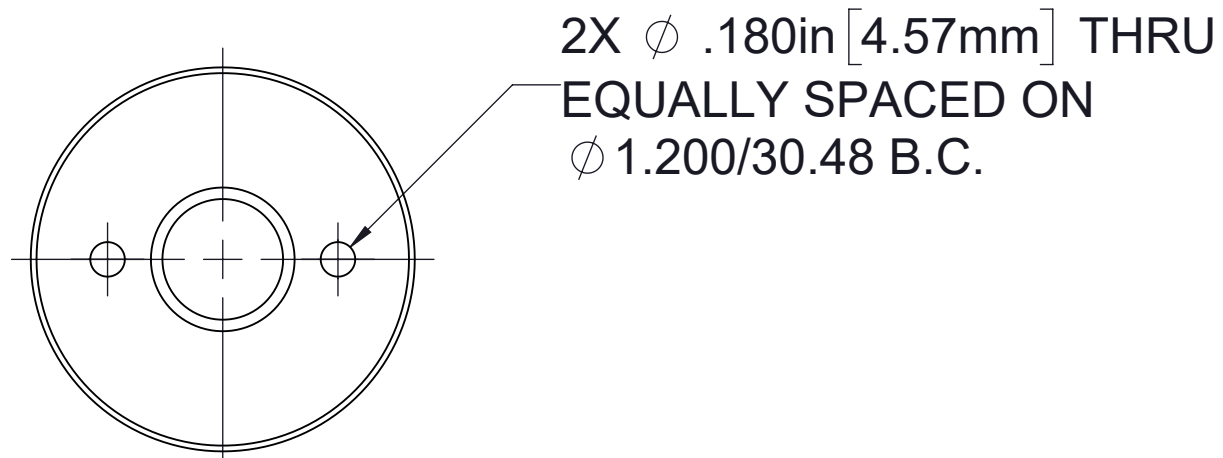
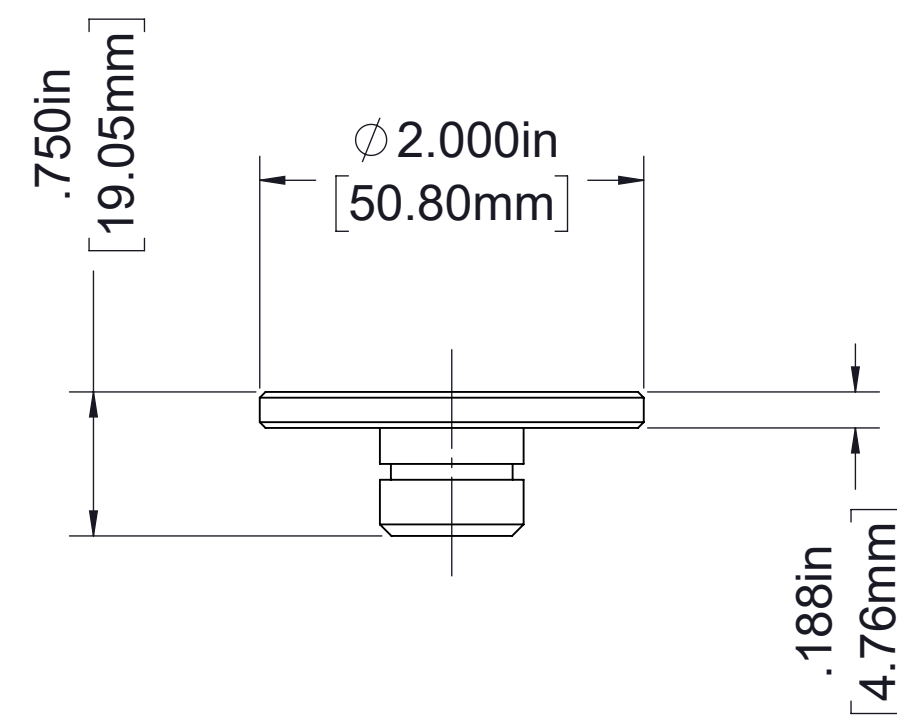
(IRON ONLY AVAILABLE)

NOTES:

1. ALL FITTINGS INCLUDE GASKET AND MOUNTING HARDWARE.
2. ALL DIMENSIONS SHOWN AS INCH/MILLIMETER.
3. SPECIFY WHERE EACH FITTING IS TO BE MOUNTED.



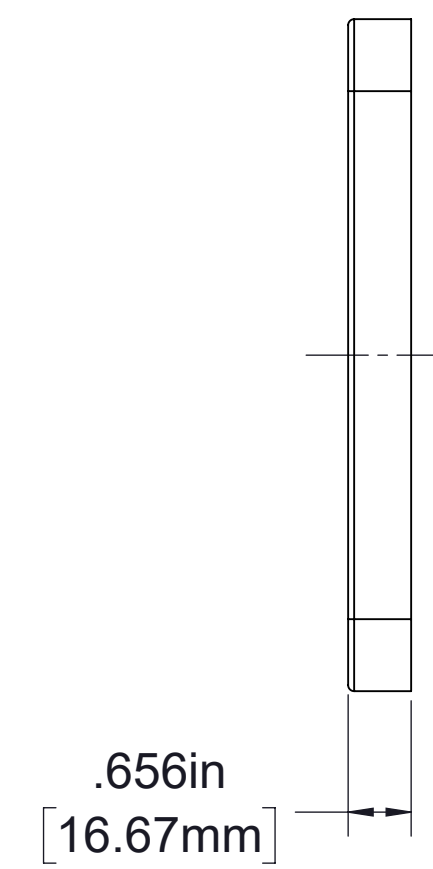
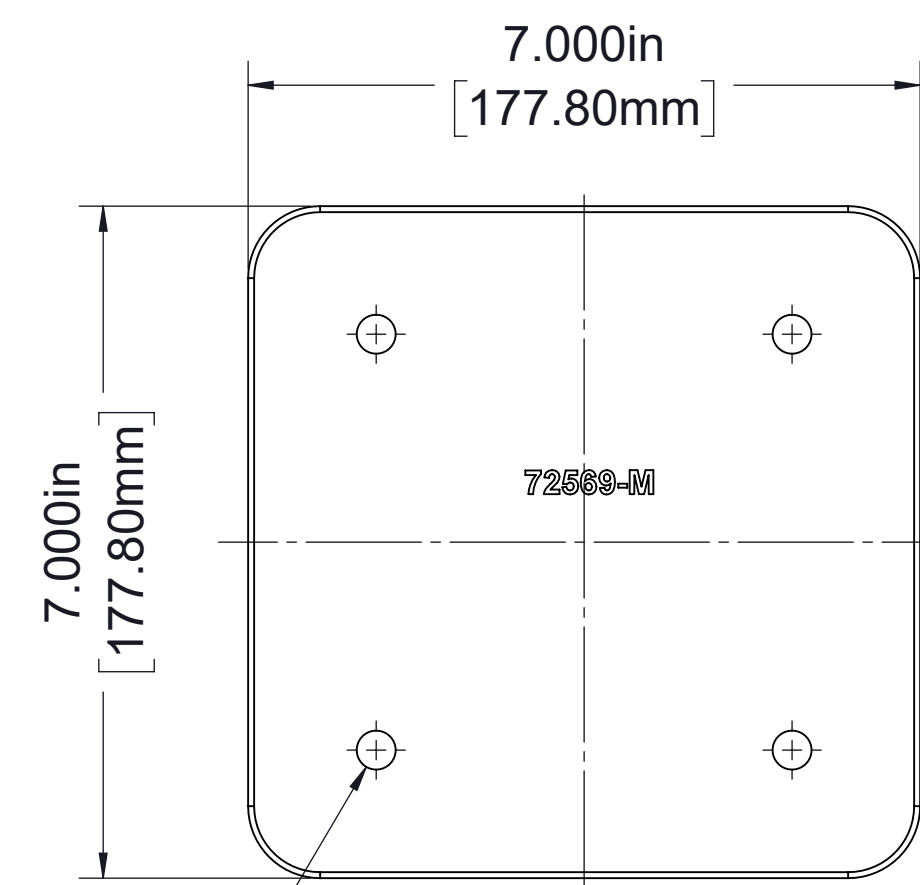
**TYPE 70 - FITTINGS FOR ADVANTUS CONDUCTIVITY PROBE TAP  
PLUG**



PART NO.	DESCRIPTION	INCLUDES O-RING
53072-A	PLUG	W3710-2

(IRON ONLY AVAILABLE)

**TYPE 71 - FITTINGS FOR 3 IN. UNI-BODY (AKRON/ELKHART) 4-BOLT MACHINED PADS  
FLANGE**



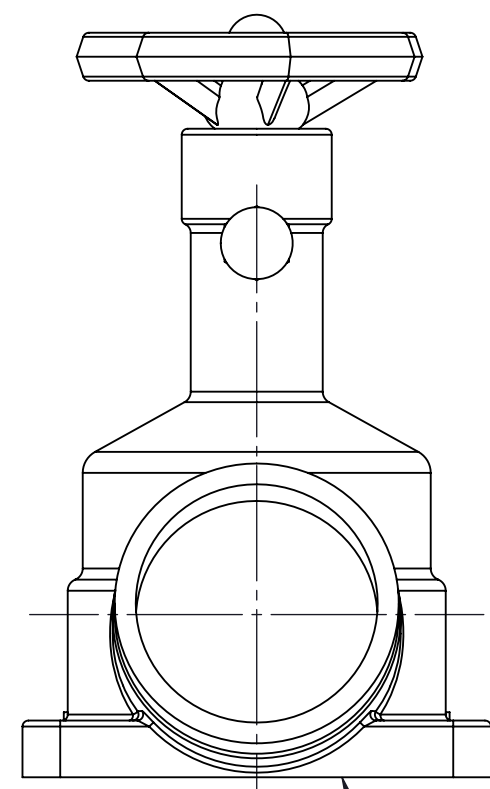
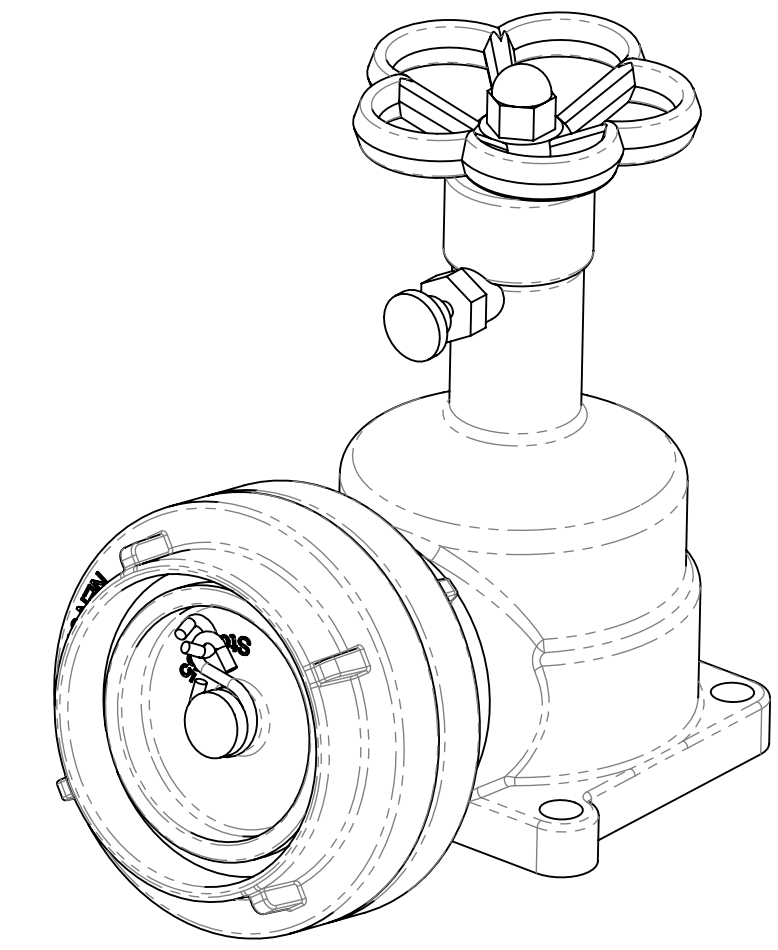
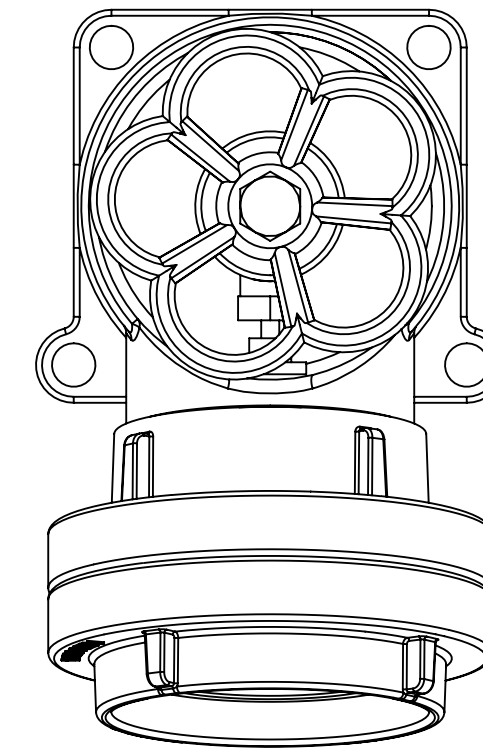
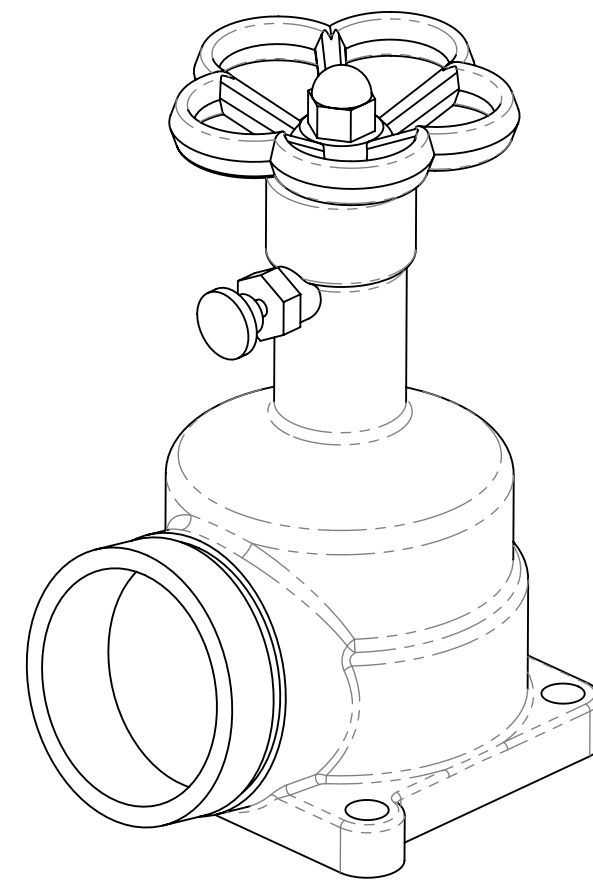
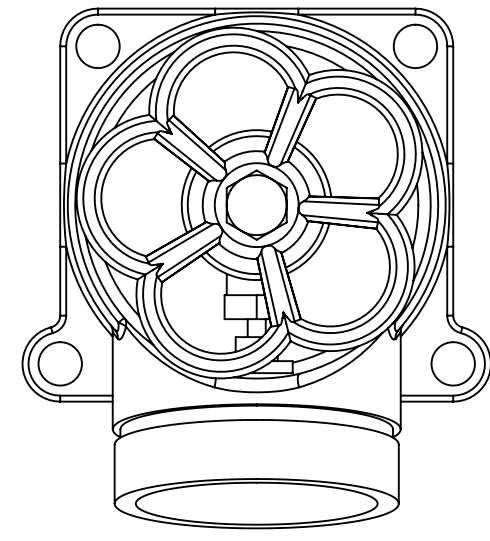
4X Ø .406in [10.32mm] THRU  
EQUALLY SPACED ON  
Ø 6.125/155.58 B.C.

PART NO.	DESCRIPTION	INCLUDES O-RING
63642-A	BLIND FLANGE	W3772-4

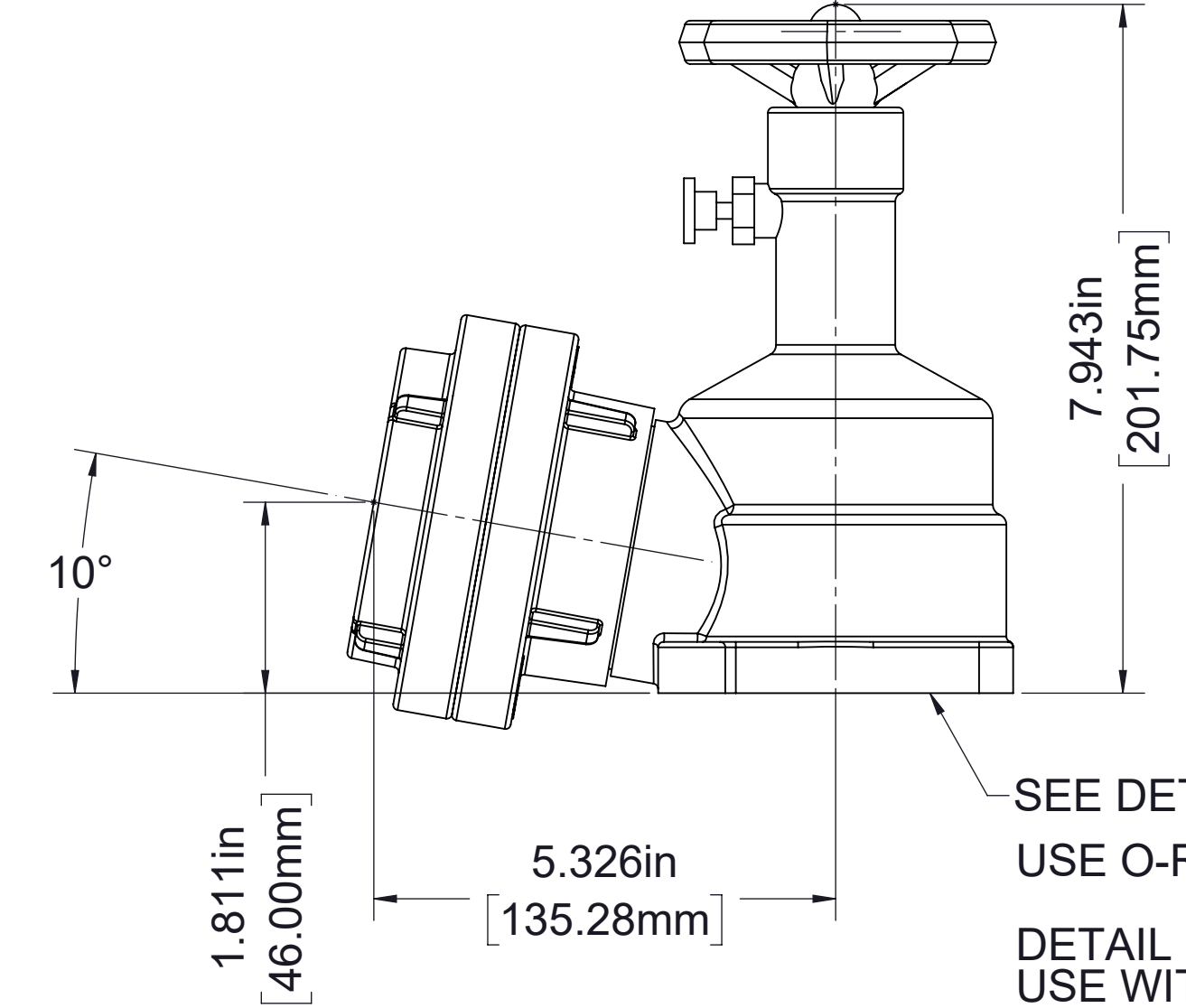
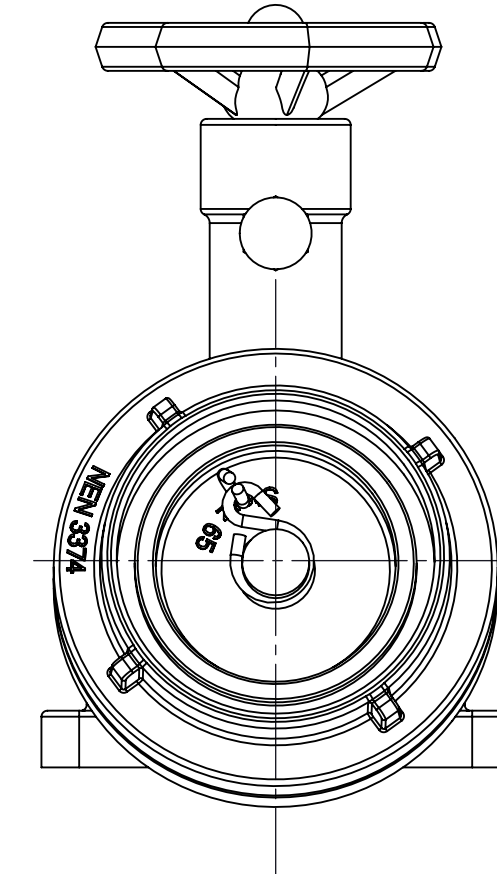
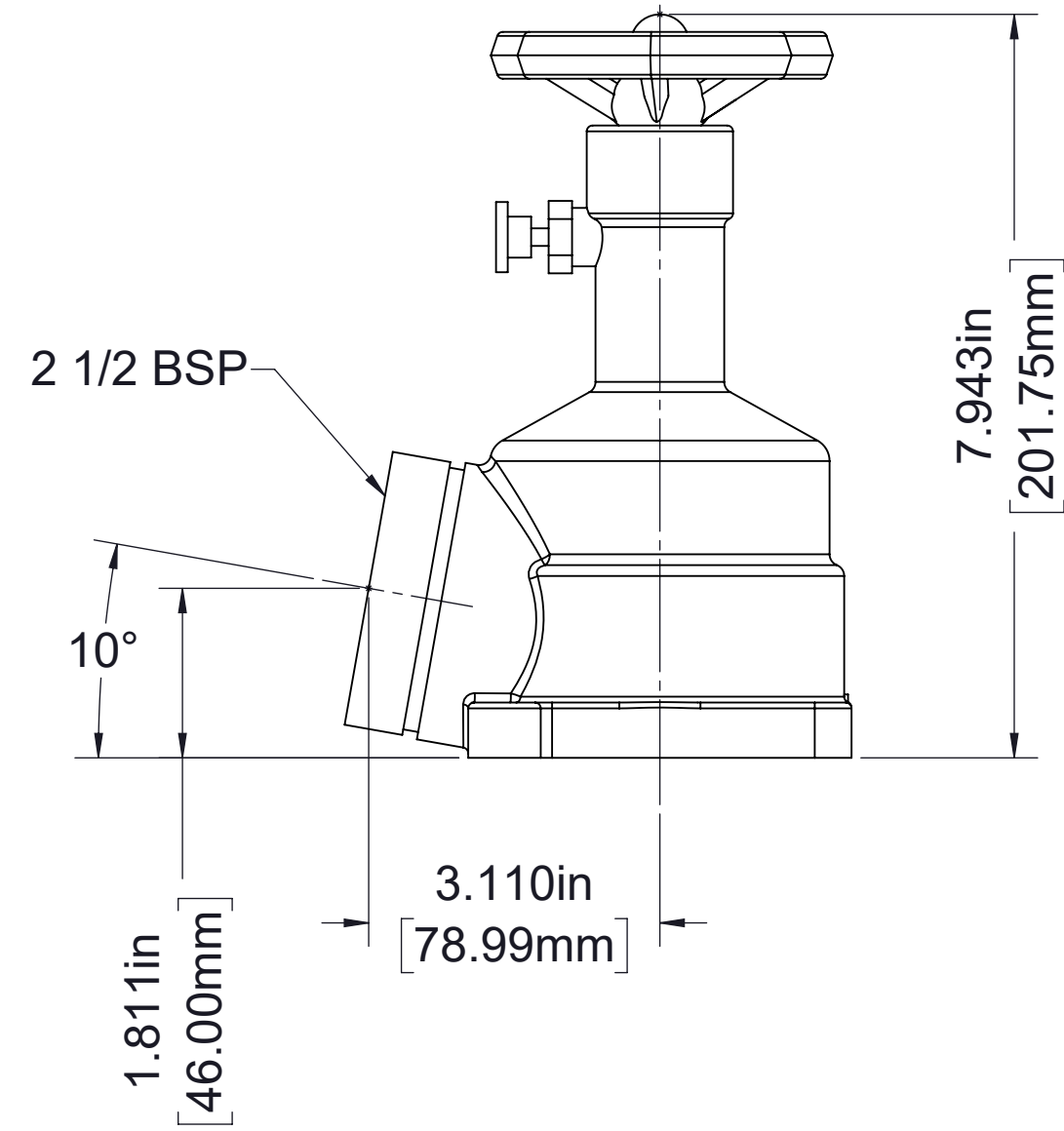
(IRON ONLY AVAILABLE)

- NOTES:
1. ALL FITTINGS INCLUDE GASKET AND MOUNTING HARDWARE.
  2. ALL DIMENSIONS SHOWN AS INCH/MILLIMETER.
  3. SPECIFY WHERE EACH FITTING IS TO BE MOUNTED.

## 2-1/2 in. AWG VALVES

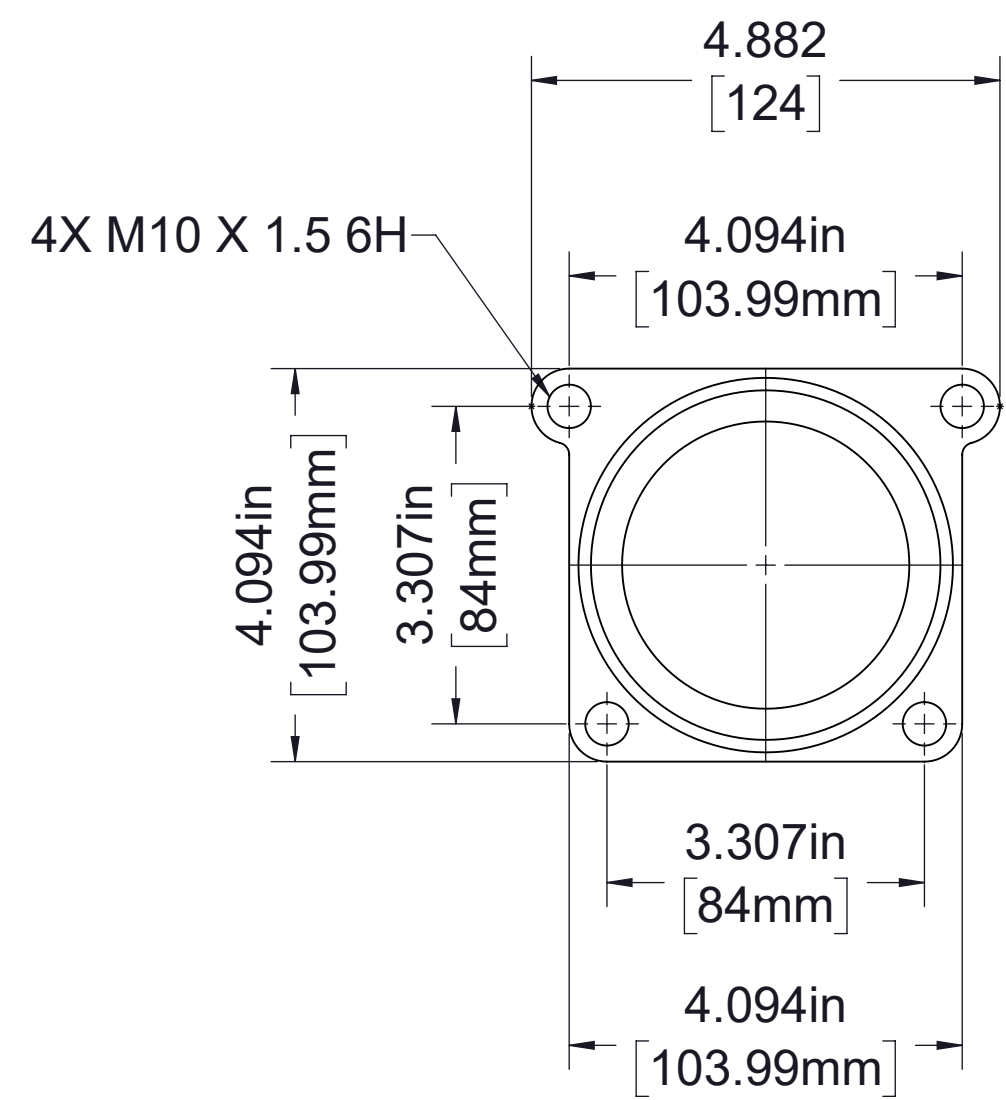


SEE DETAIL 1



SEE DETAIL 1  
USE O-RING Y45001

DETAIL 1:  
USE WITH 2-1/2 AWG VALVES



USE O-RING Y45001

DETAIL 1:  
AWG VALVE FLANGE

PART NUMBER	INCLUDES O-RING
V2845-1ABZ	Y45001

2-1/2 in. BSP AWG VALVE

PART NUMBER	INCLUDES O-RING
V2845-2ABZ	Y45001

65mm STORZ VALVE

NOTE:  
1. ALL DIMENSIONS SHOWN AS INCH/ MILLIMETER.