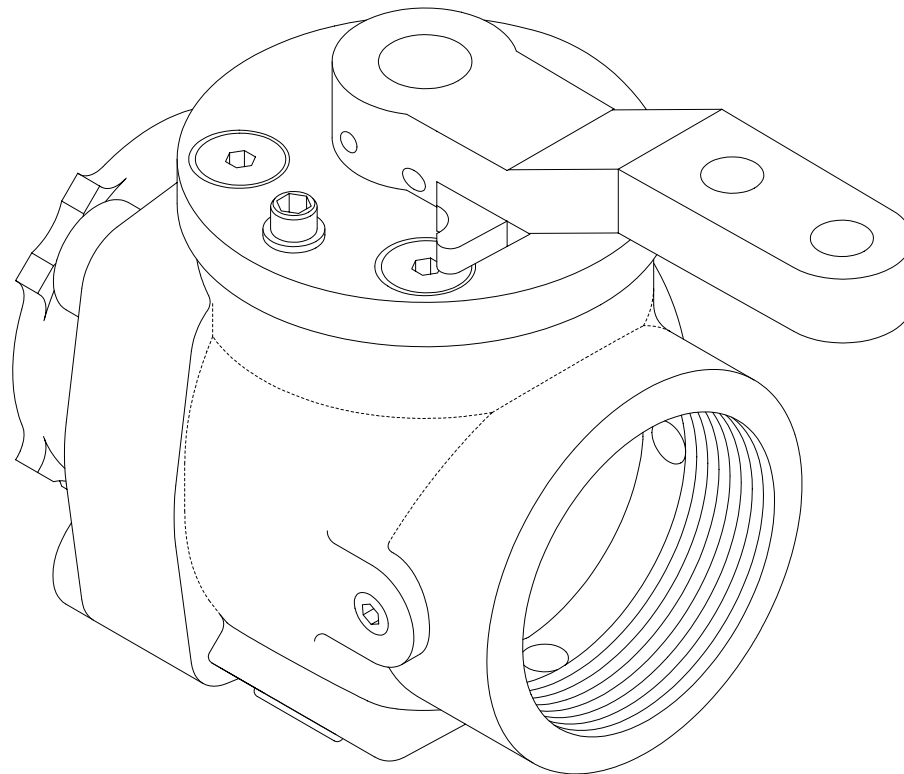


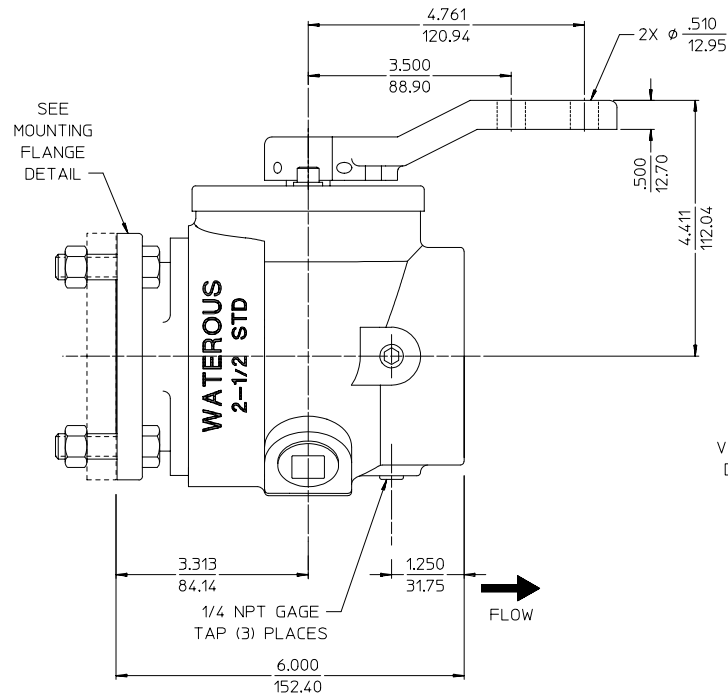
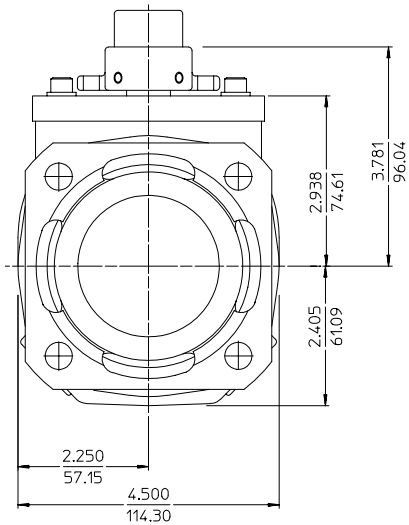
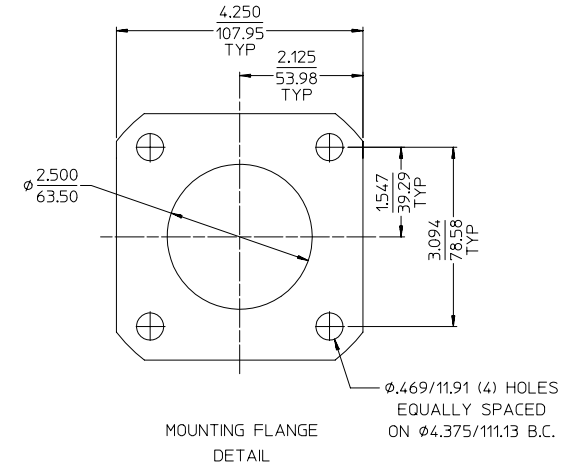
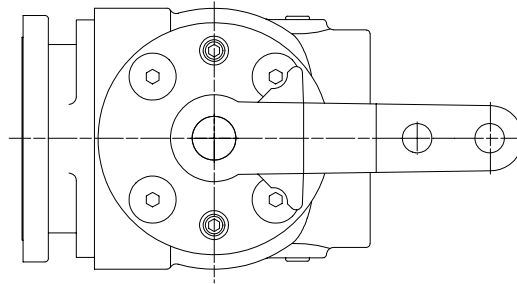
W A T E R O U S

Document Number	Issue Date	Rev. Date
DPL 82103	04/07/95	07/25/03

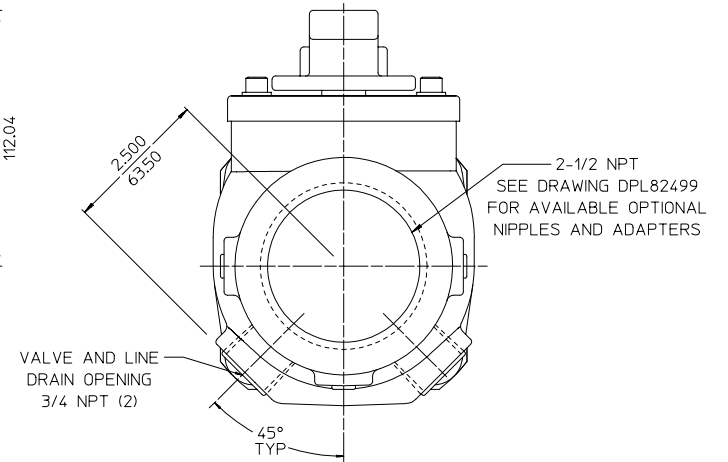
Dimensional Drawings for Discharge Valve Assembly (82102)



- NOTES:
 WHEN ORDERING, SUPPLY THE FOLLOWING INFORMATION:
 A. VALVE PART NUMBER 82102
 B. FIGURE NUMBER FROM CHART TO INDICATE POSITION OF OPERATING ARM. (SEE PAGE 2)
 C. MATERIAL: IRON ONLY AVAILABLE
 D. OPTIONS DESIRED (SEE DRAWING DPL82499 FOR AVAILABLE NIPPLES AND ADAPTERS)



FLANGE MOUNTED



ALL DIMENSIONS SHOWN AS INCH/MILLIMETER
 (INCH / MILLIMETER)

82102 DISCHARGE VALVE ASSEMBLY
 DPL82103
 WATEROUS COMPANY
 SOUTH ST. PAUL, MN 55075
 PAGE 1 OF 2 REV: 07/25/03

