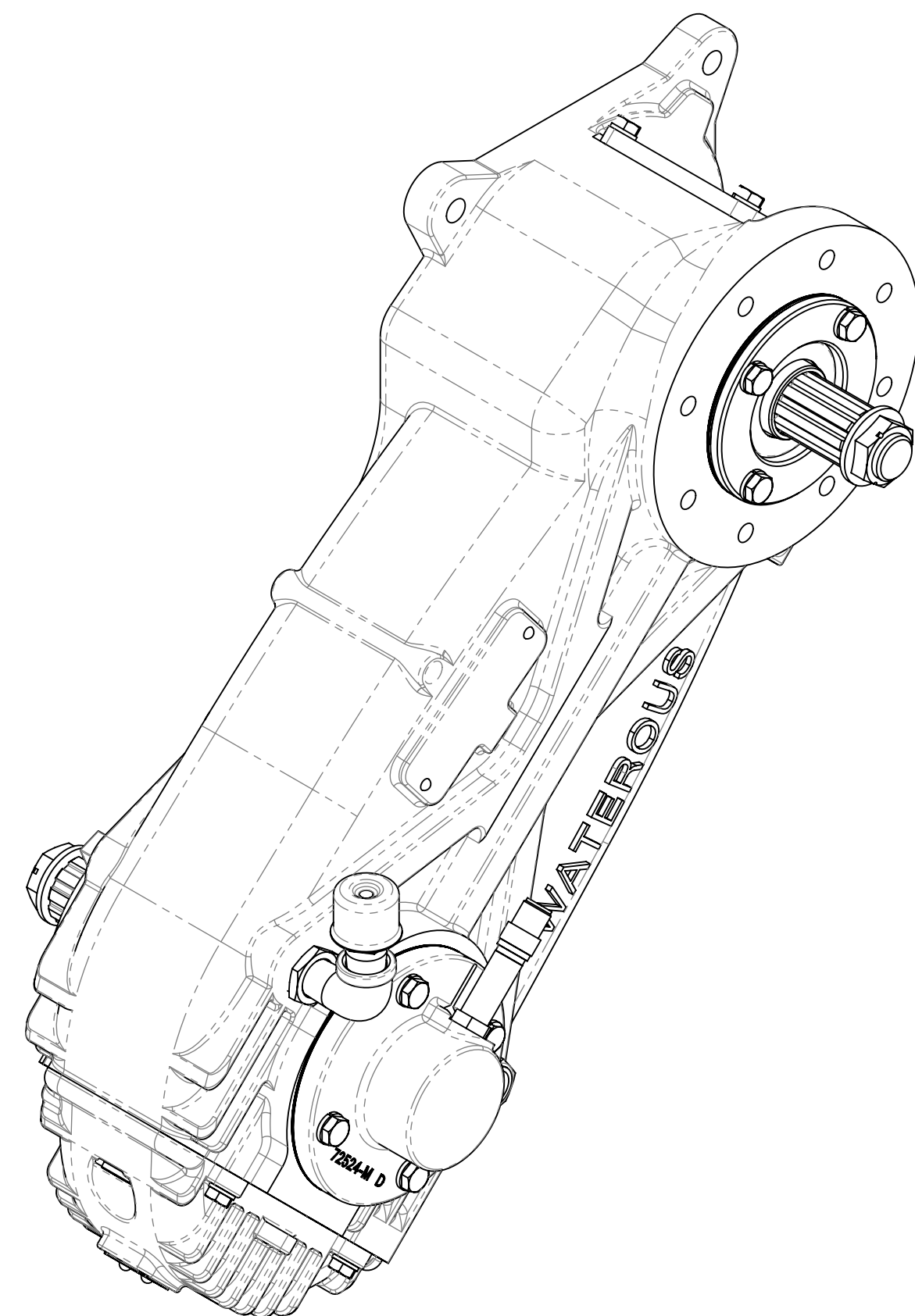


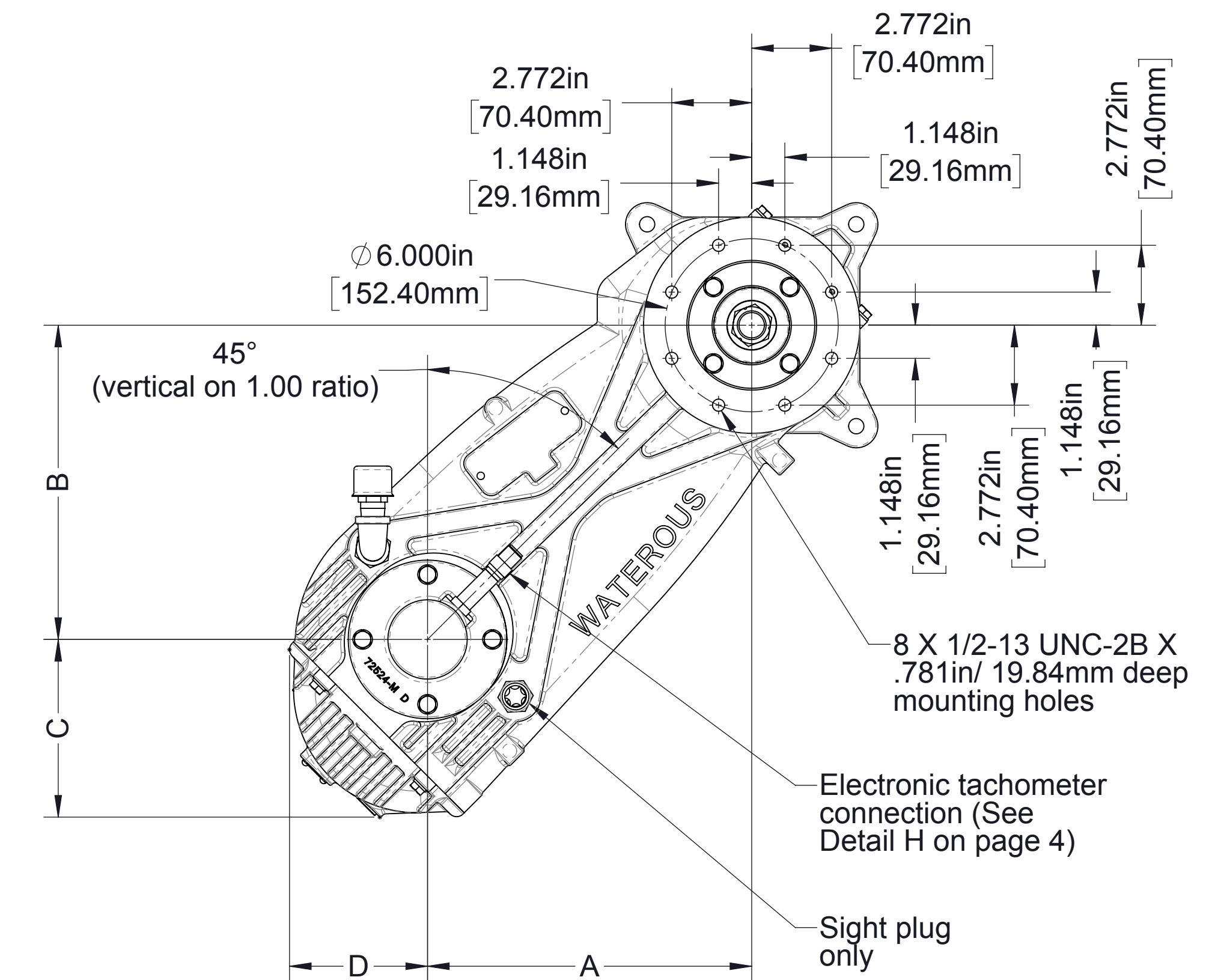
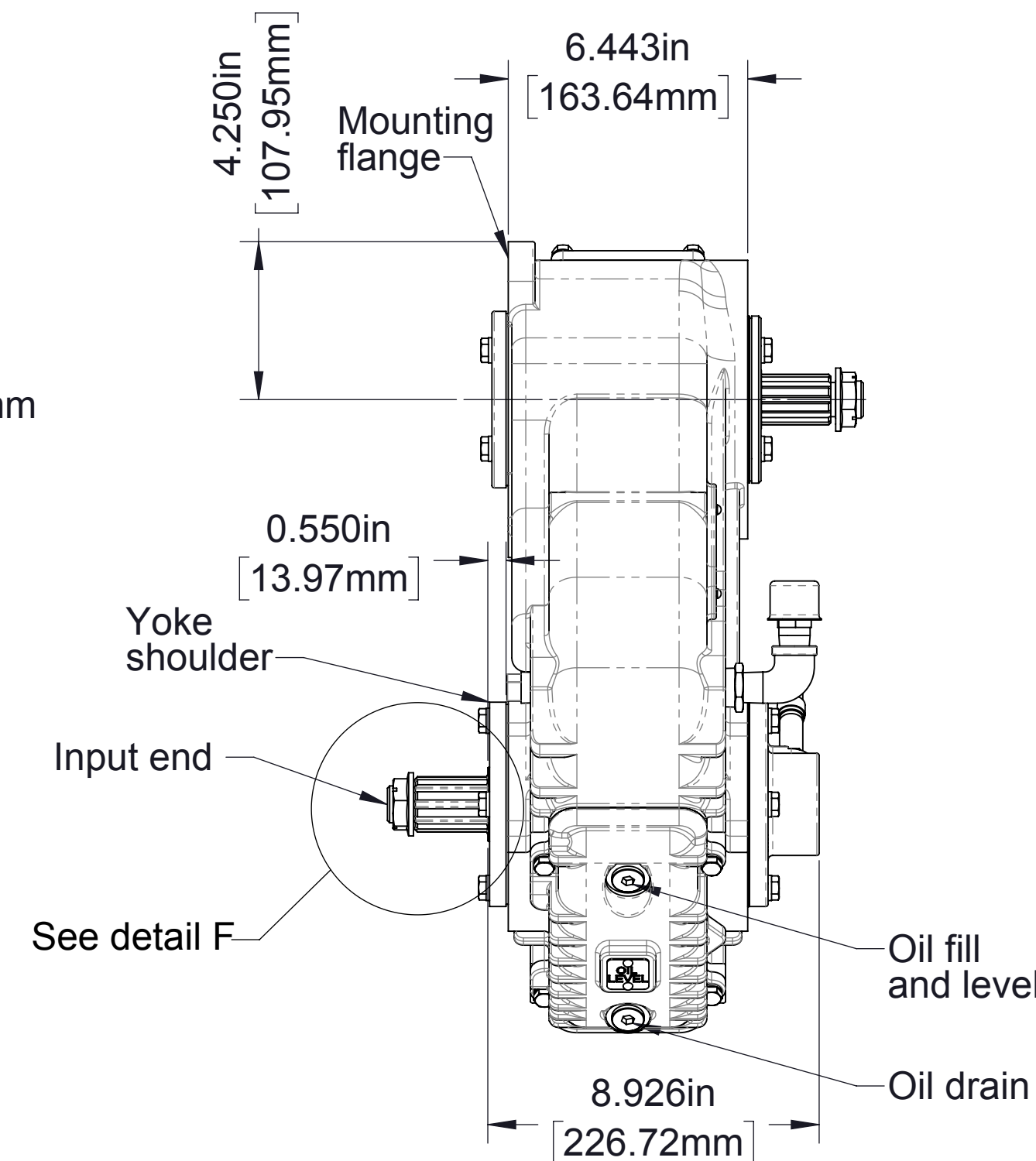
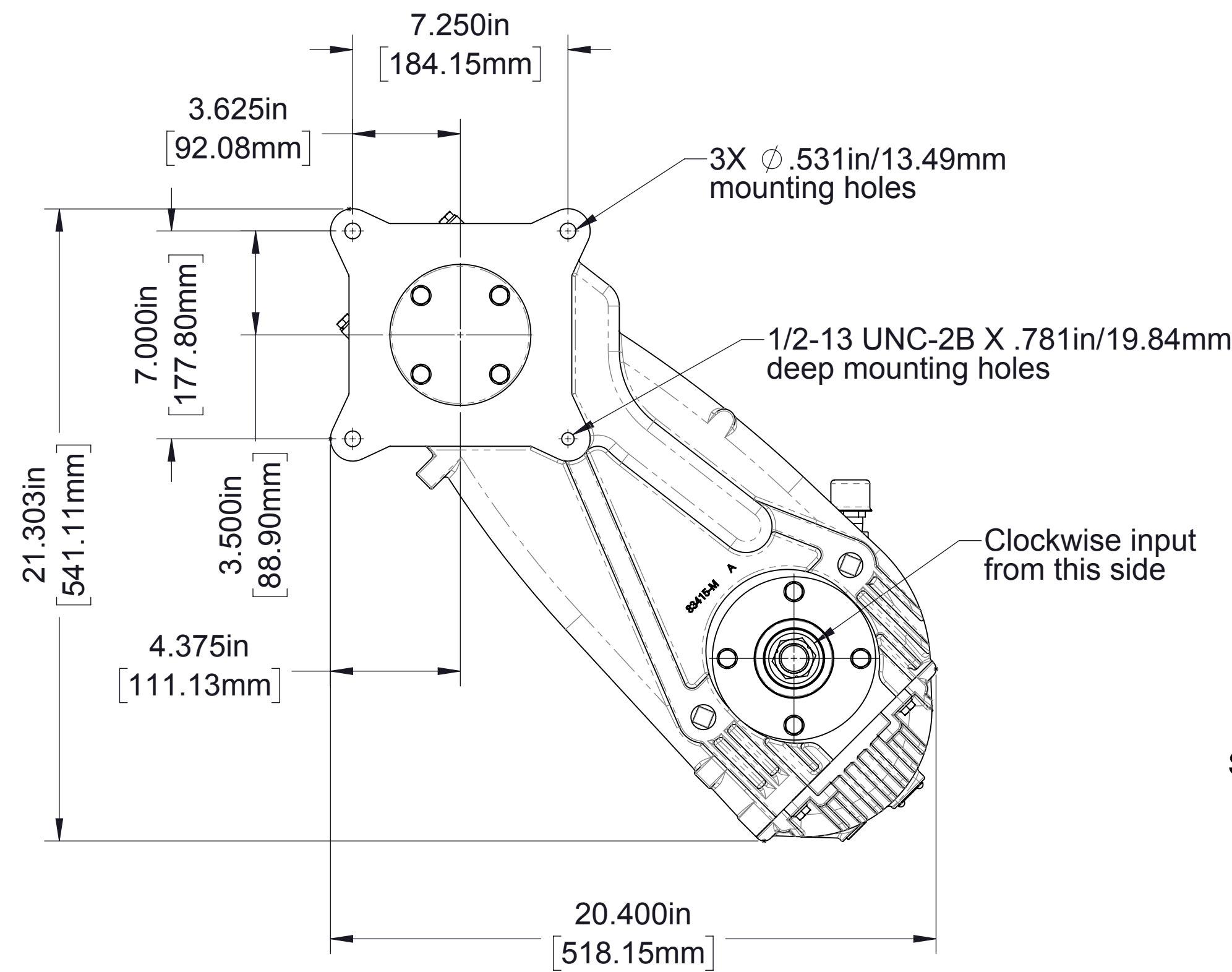
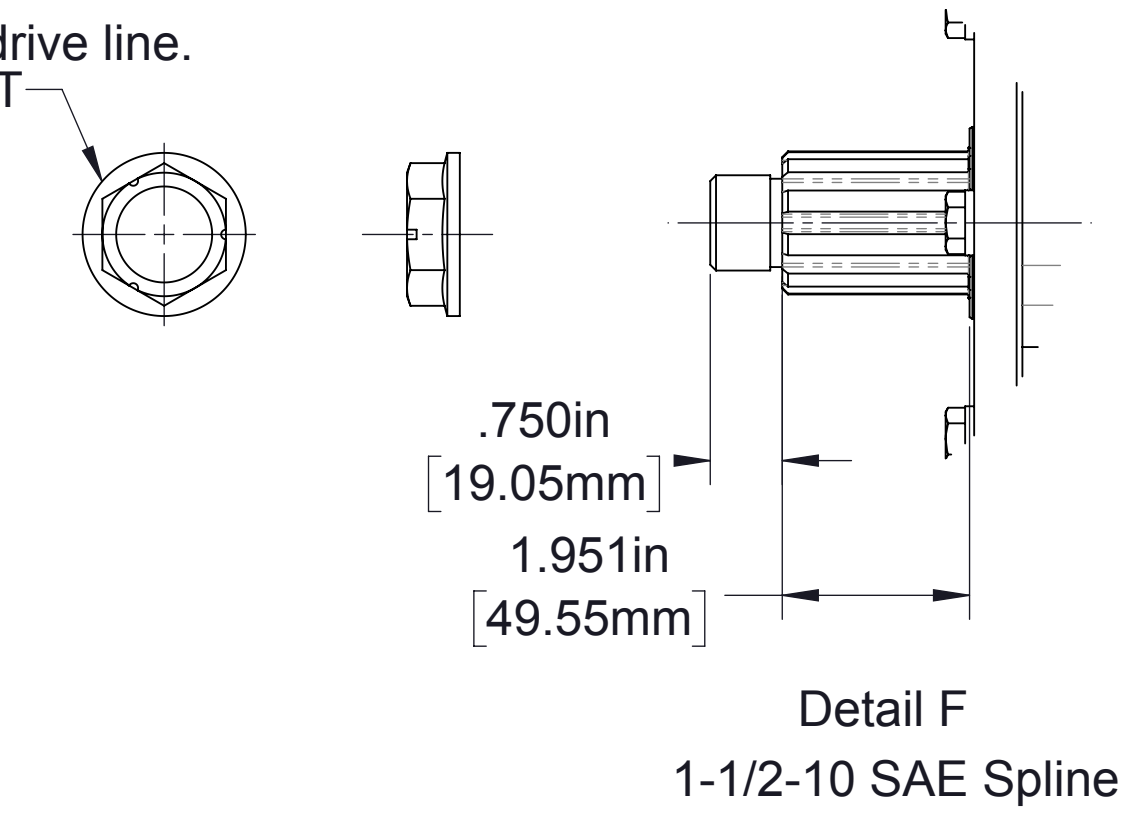
## Dimensional Drawings For TPA Power Take-Off

Item	Page
Case and Input Shaft	2
Output Shaft	3
Tachometer	4



Input			Output			Ratio	Dim A	Dim B	Dim C	Dim D
Size	Spline	Rotation	Size	Spline	Rotation					
1-1/2 Inch	1-1/2-10 SAE	CW	1-3/8 Inch	1-3/8-10 SAE	See Page 3	1.00	11.442in 290.63mm	11.200in 284.48mm	5.848in 148.54mm	4.593in 116.66mm
						1.70	11.288in 286.71mm	10.943in 277.94mm	6.111in 155.22mm	4.737in 120.32mm
						1.90	11.269in 286.24mm	10.924in 277.47mm	6.130in 155.70mm	4.755in 120.79mm
						2.10	11.239in 285.46mm	10.894in 276.70mm	6.160in 156.46mm	4.786in 121.56mm

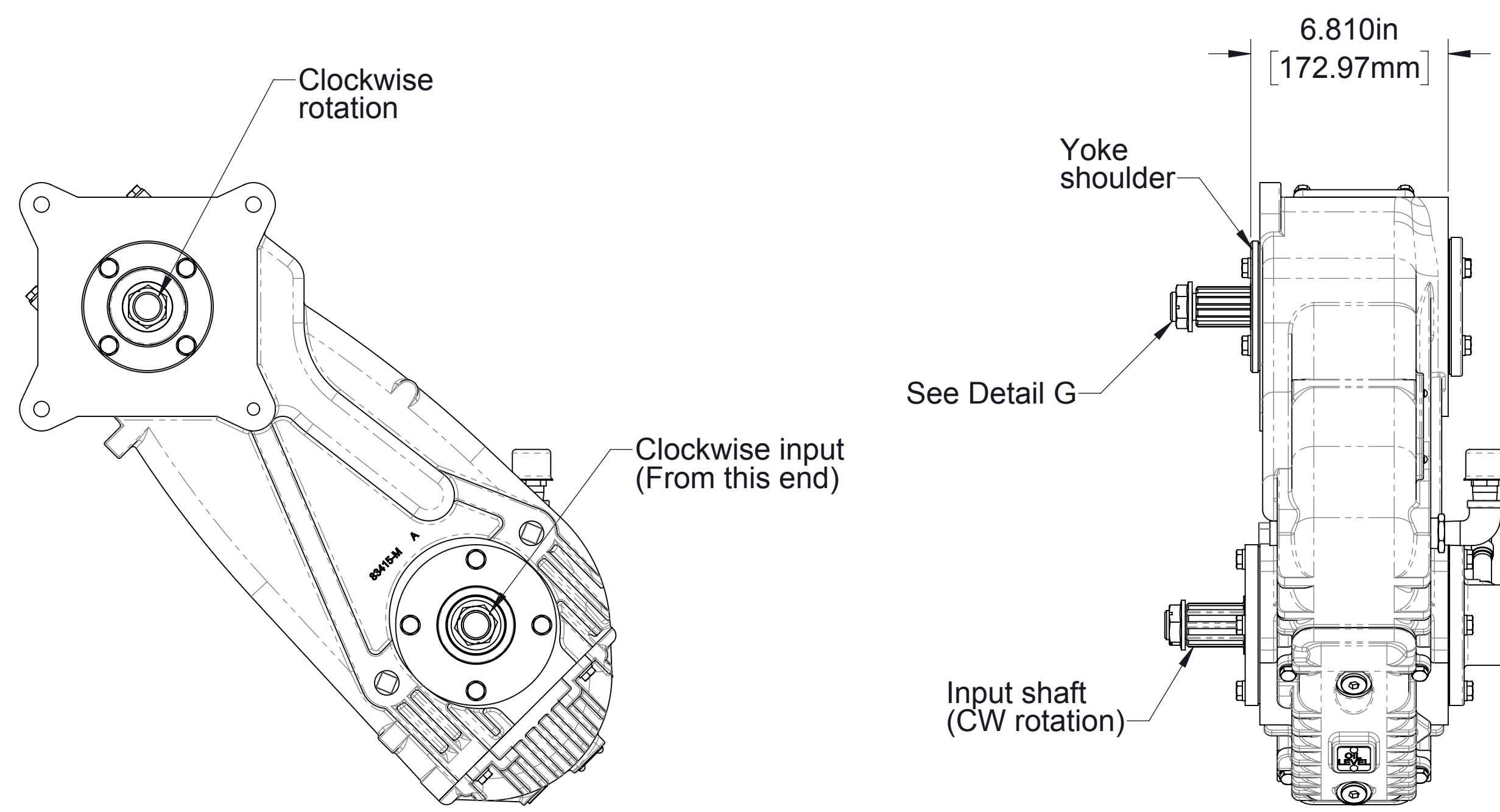
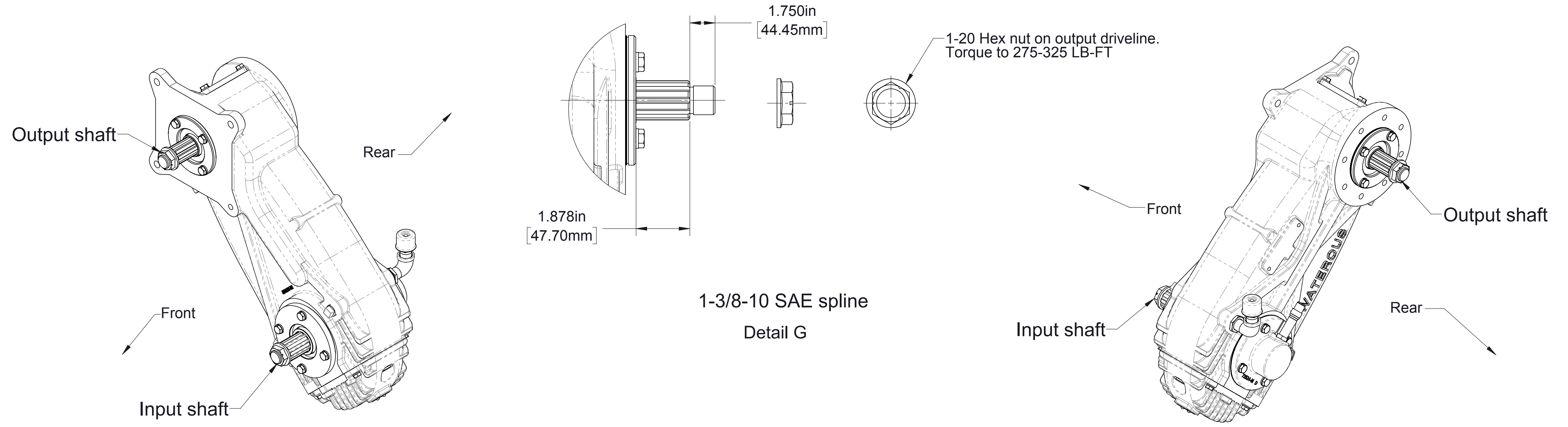
1-20 Hex nut on output drive line.  
Torque to 275-325 LB-FT



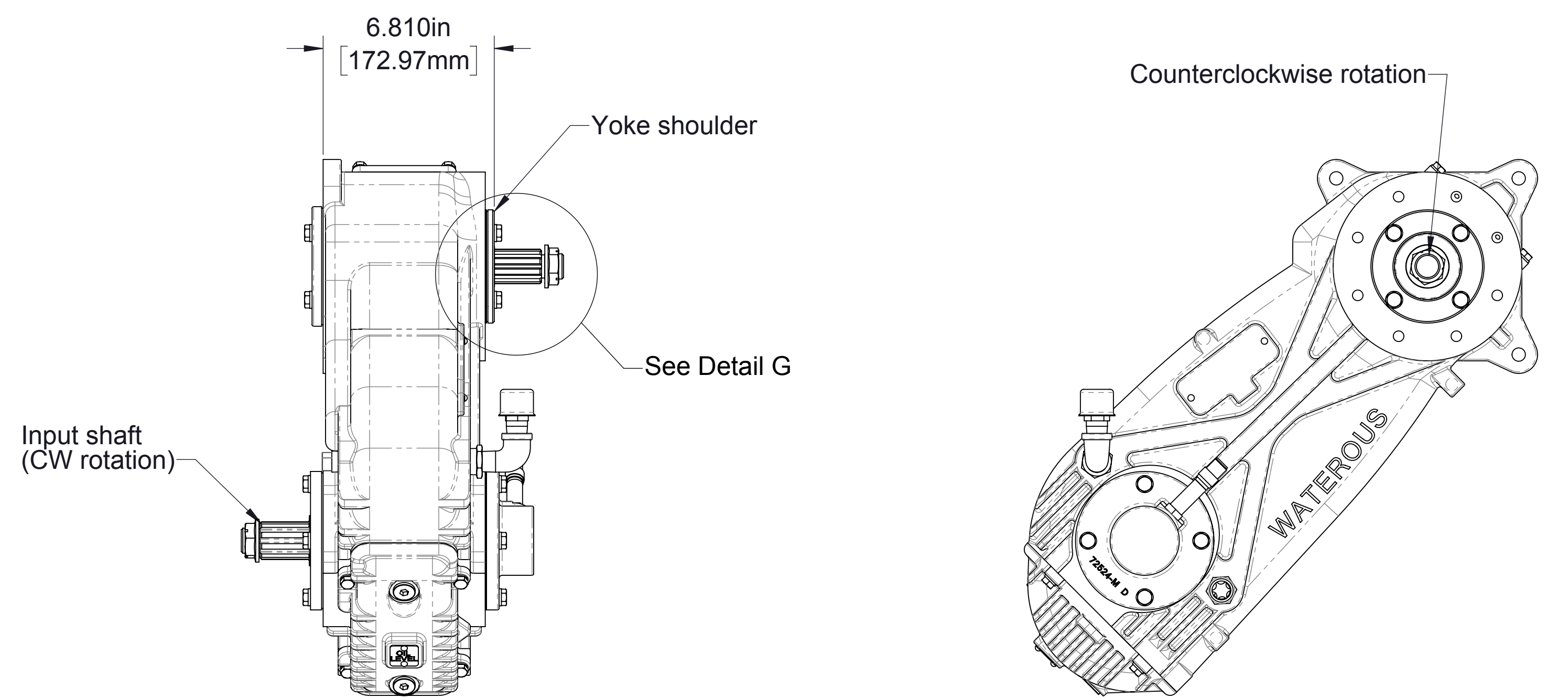
For 1-1/2-10 splined input drive line		For 1-3/5-10 splined output drive line	
<p>1410 Series end yoke V 2861</p>	<p>1350-1410 Series companion flange V 1822</p>	<p>1350 Series end yoke V 1641</p>	<p>1350-1410 Series end yoke V 2593</p>
Optional end yokes and companion flange			

**Model TPA P.T.O.**  
Clockwise input  
(2.10 Ratio shown)





Front location  
(Same side as input shaft)



Rear location  
(Opposite side of input shaft)

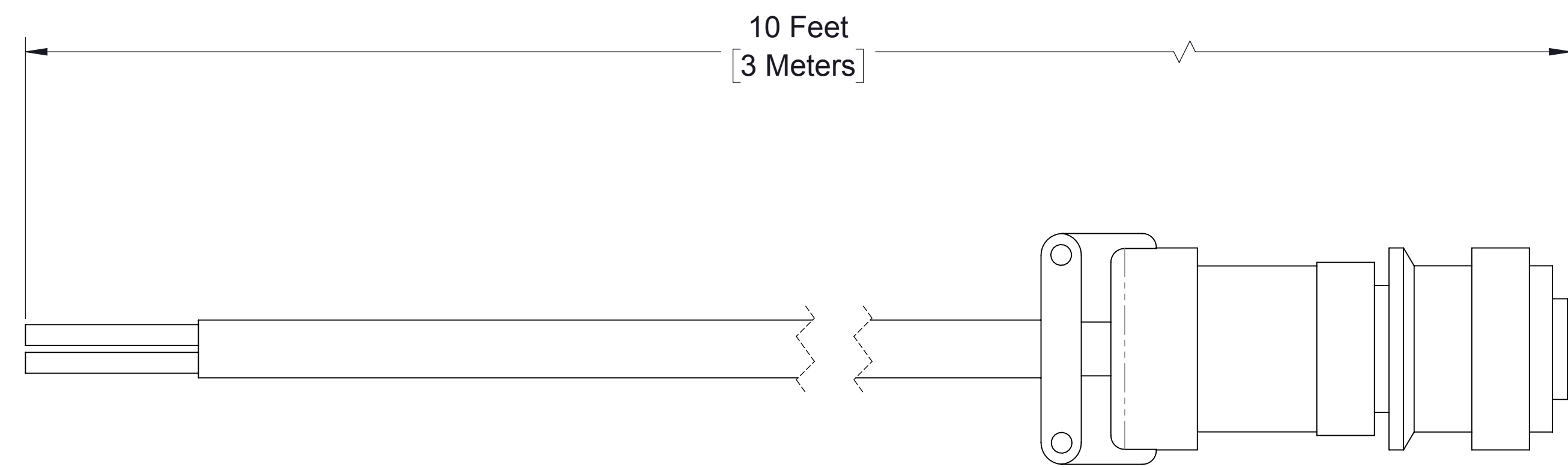
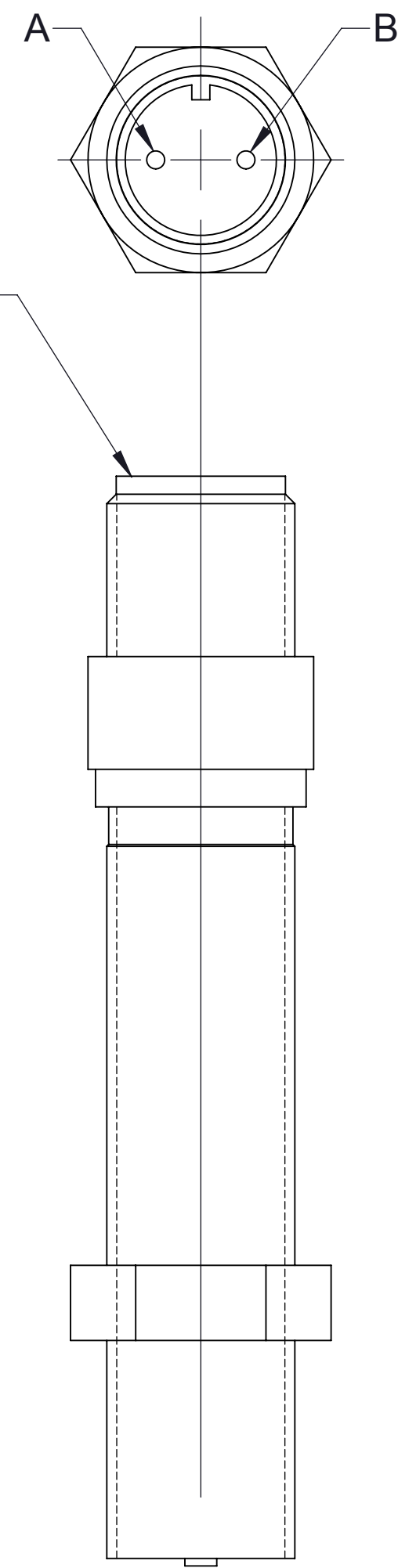
**Model TPA P.T.O.  
Output options**

(1.90 Ratio shown)

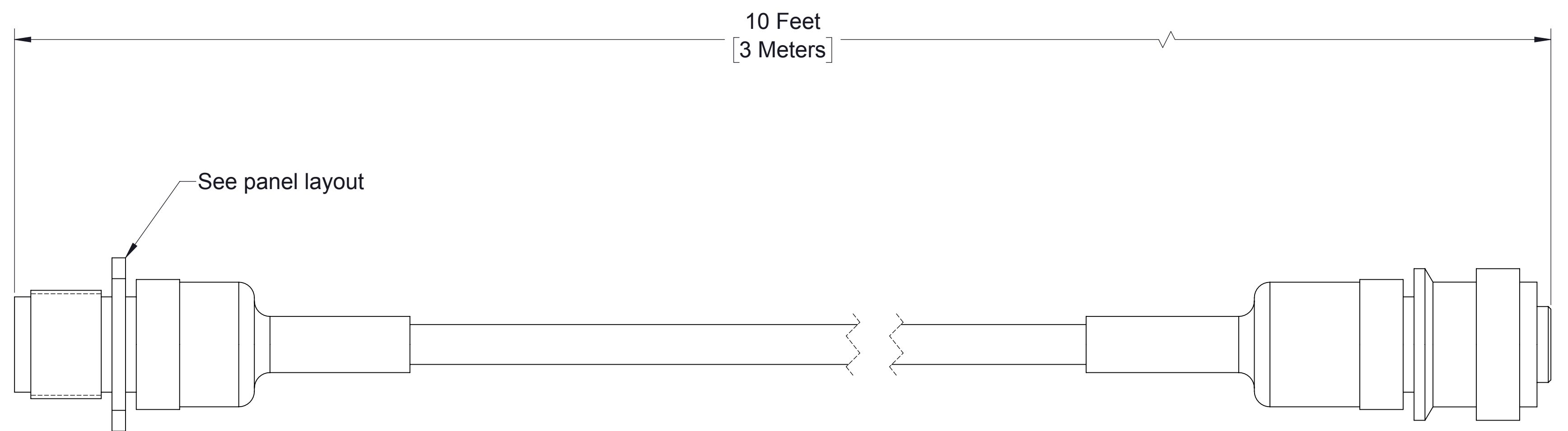
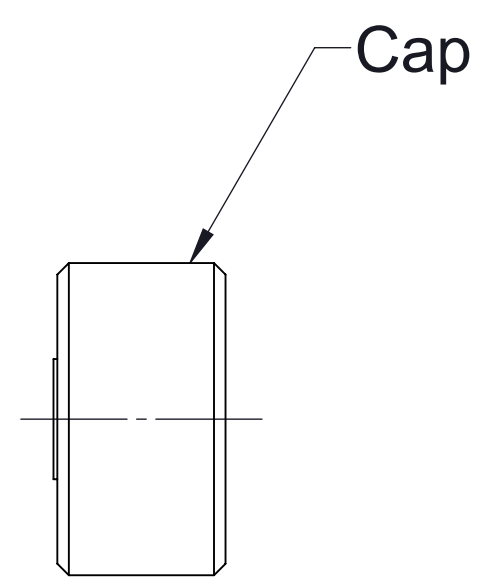
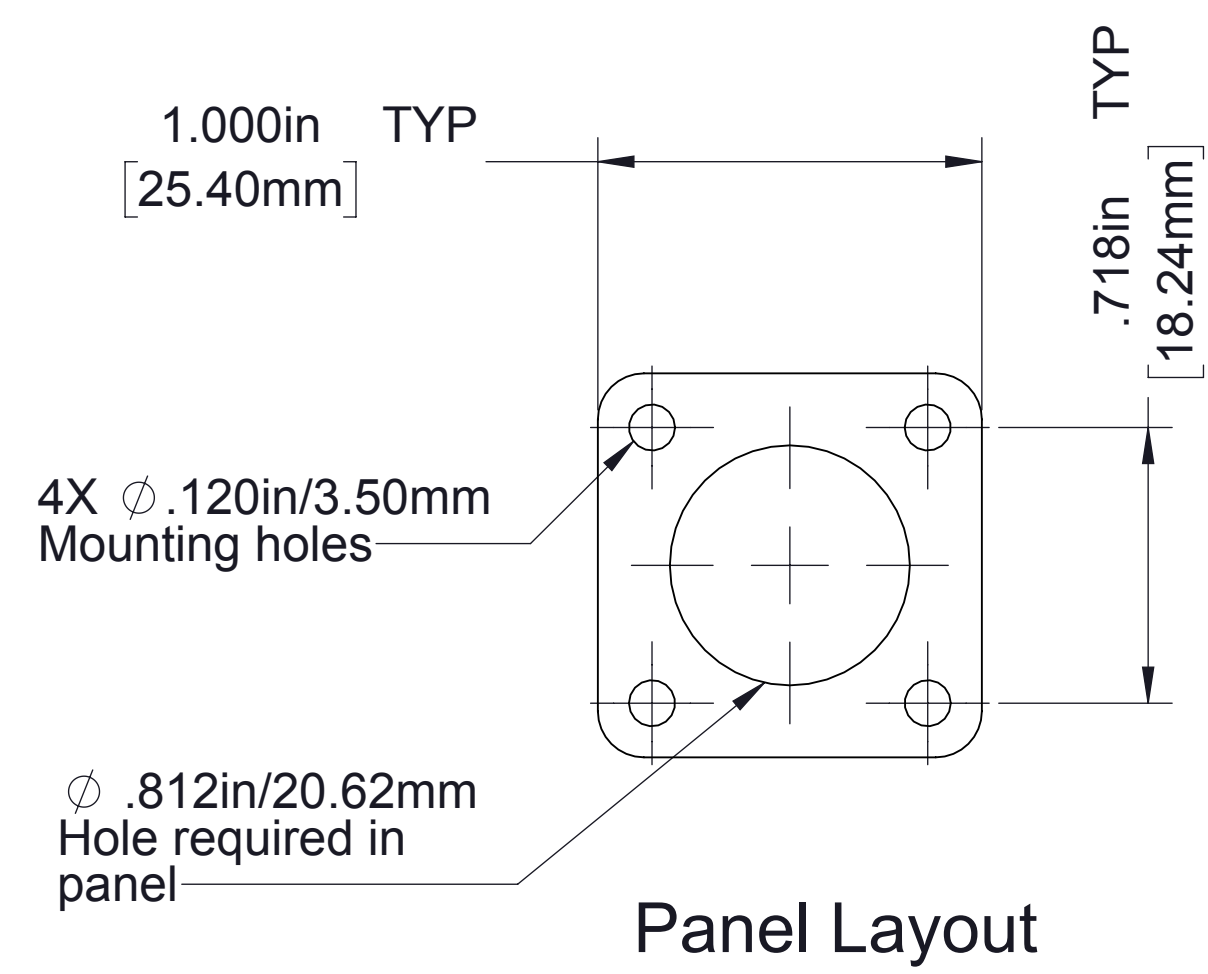
Temperature: -65°F to +225°F  
 -54°C to +107°C

Output polarity: Pin "B" positive  
 DC resistance: 1000-1300 OHMS  
 Inductance: 300-410 MH Nominal  
 Output voltage: 160-240 Volts  
 P-P

Output connector: Mates with  
 MS3106A-10SL-4S



Order part No. V 3398



Order part No. 63033

Optional Cables

### Electronic Tachometer Connection