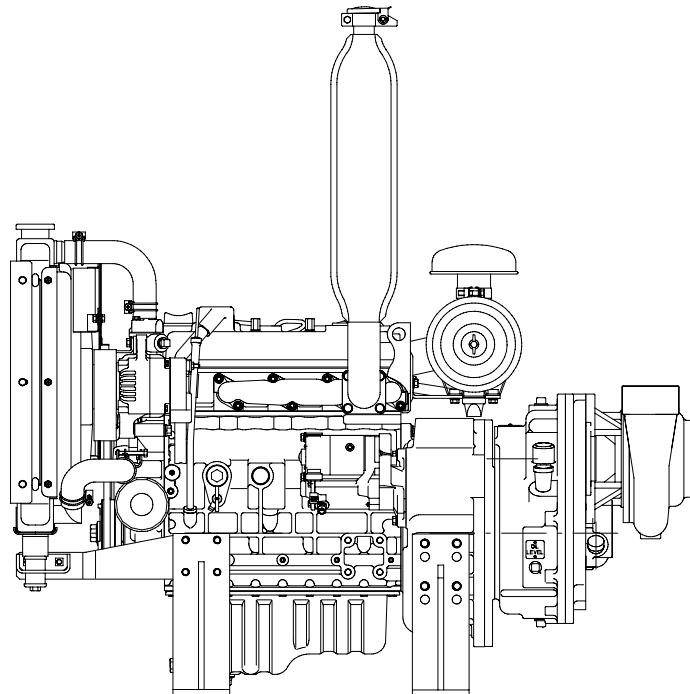
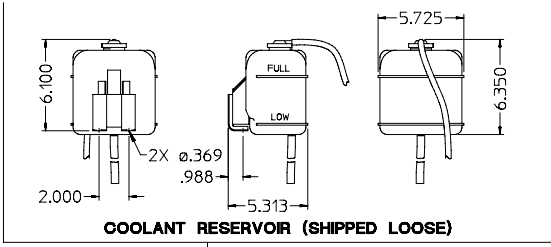
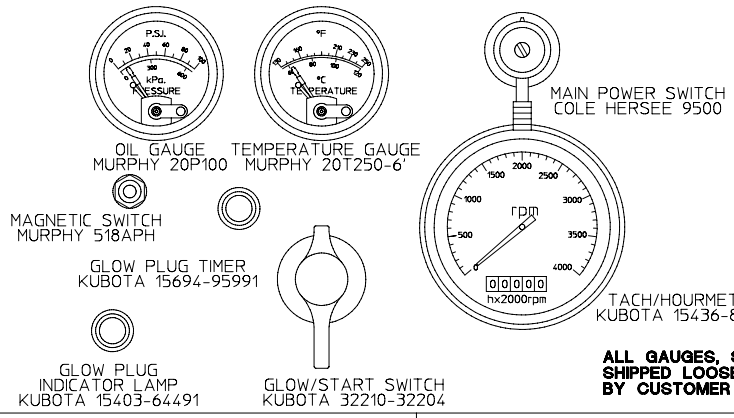
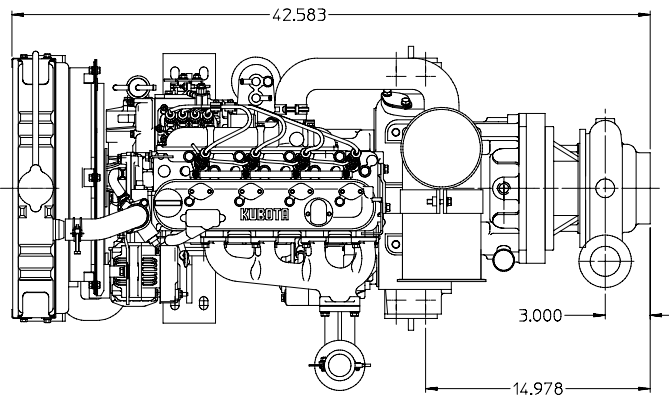


WATEROUS

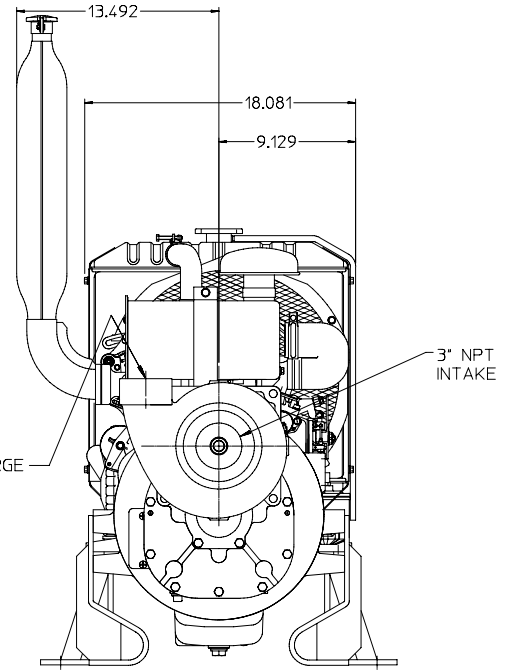
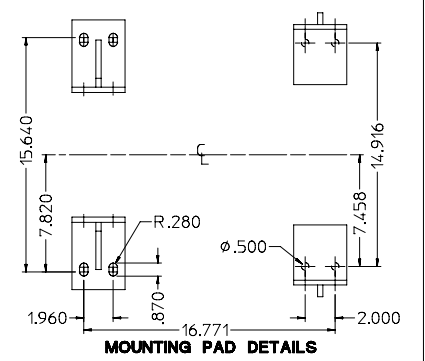
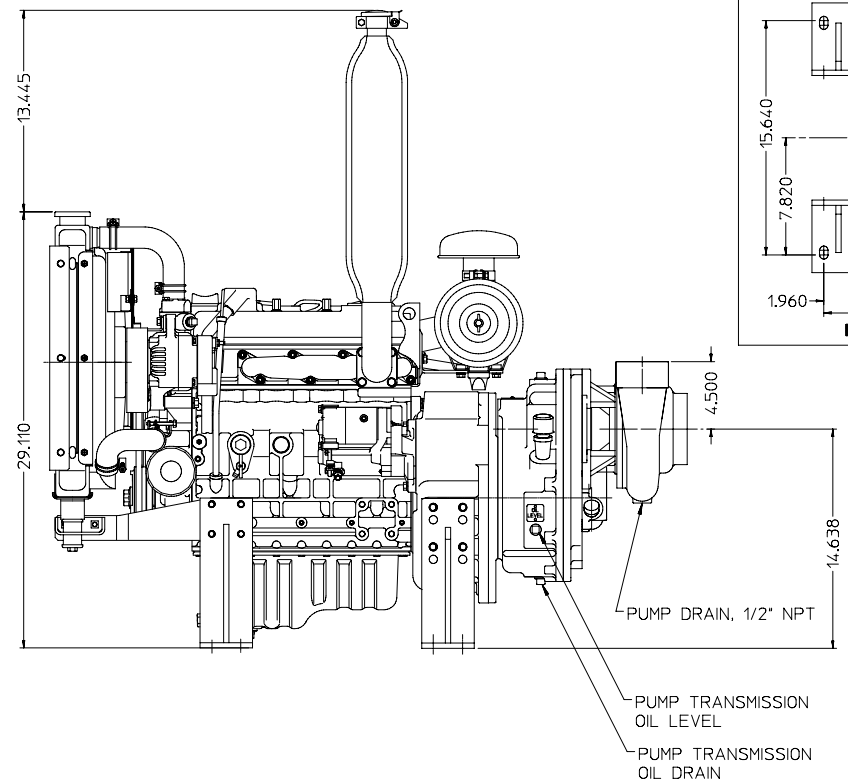
Document Number	Issue Date	Rev. Date
DPL 82233	06/27/96	11/08/07

Dimensional Drawings for E300-A Series Motor Pump





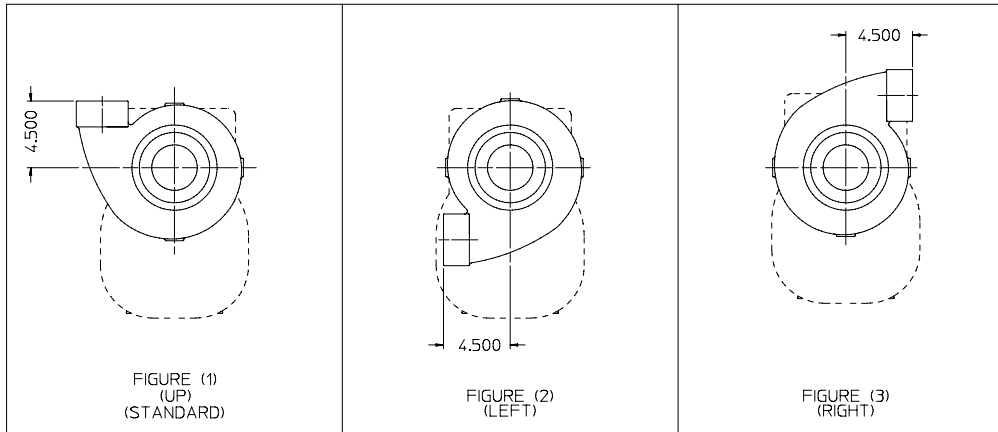
ALL GAUGES, SWITCHES AND LIGHTS SHIPPED LOOSE FOR INSTALLATION BY CUSTOMER INTO PANEL



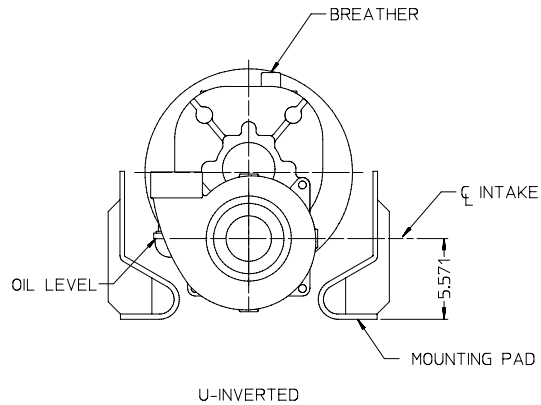
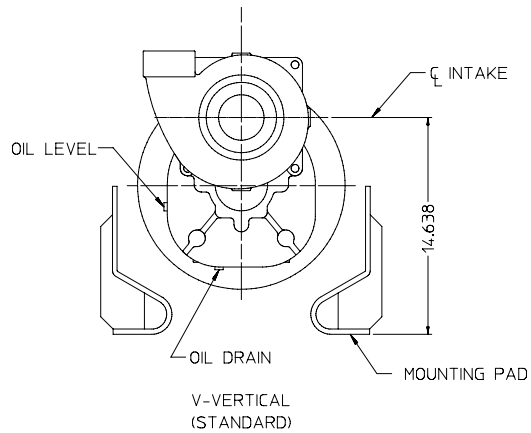
**MODEL E302-A (CPT-2 PUMP)
KUBOTA 30HP DIESEL ENGINE**

SEE PAGE 2 FOR ORDERING INFORMATION.

**E300-A SERIES MOTOR PUMP
DPL82233
WATEROUS COMPANY
SOUTH ST. PAUL, MN 55075**



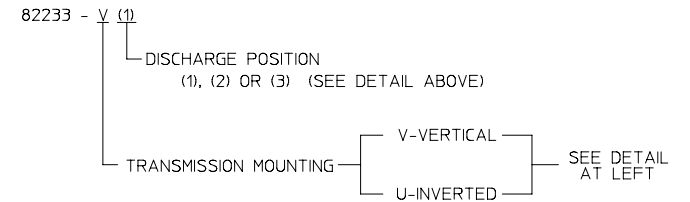
AVAILABLE DISCHARGE POSITIONS (VIEWED LOOKING AT PUMP)



ORDERING INFORMATION:

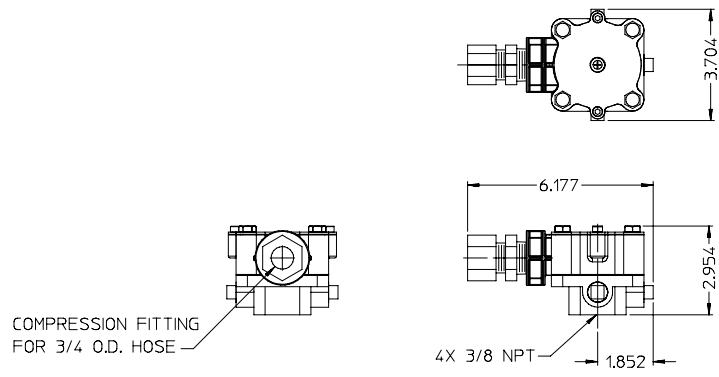
WHEN ORDERING SUPPLY THE FOLLOWING

- 1) COMPLETE PUMP MODEL:
E302-A (CPT-2 PUMP)
- 2) BASIC ASSEMBLY NUMBER 82233.
- 3) SUFFIX LETTERS WHICH INDICATE TRANSMISSION MOUNTING POSITION AND DISCHARGE POSITION.



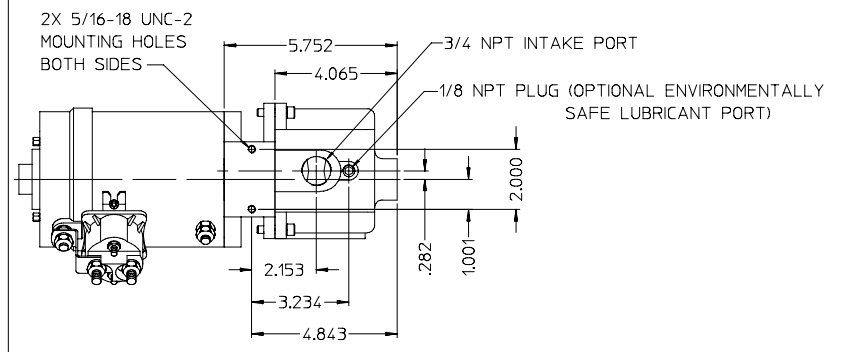
AVAILABLE TRANSMISSION MOUNTING POSITIONS

E300-A SERIES MOTOR PUMP
DPL82233
WATEROUS COMPANY
SOUTH ST. PAUL, MN 55075

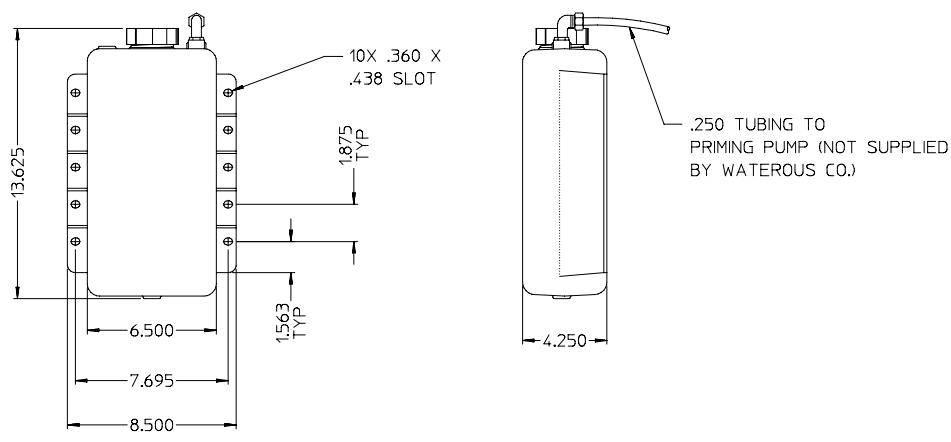


VAP PRIMING VALVE

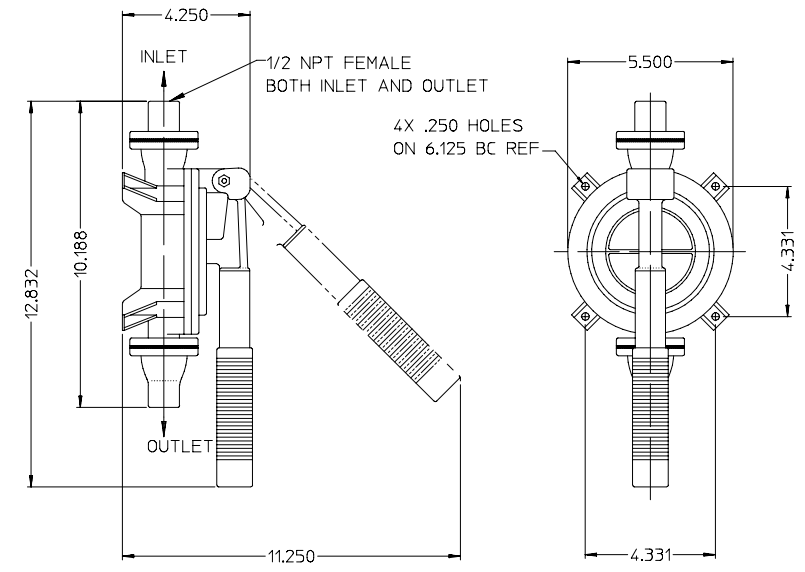
- NOTES:
- VAP PRIMING VALVE MUST BE MOUNTED IN A LEVEL POSITION WITH BRONZE ADAPTER FACING DOWN TO PREVENT WATER FROM GETTING TRAPPED IN THE VALVE.
 - PRIMING HOSE MUST BE 3/4 O.D. LLDPE (LINEAR LOW-DENSITY POLYETHYLENE) AND SHIELDED FROM ANY SURFACE WHICH MAY WEAR ON THE HOSE.



MODEL VPOS, ROTARY VANE, PRIMING PUMP



PRIMING LUBRICANT TANK
(CAPACITY 5 QUARTS/4.73 LITERS)



MANUAL HAND PRIMER

OPTIONAL PRIMING SYSTEM

E300-A SERIES MOTOR PUMP
DPL82233
WATEROUS COMPANY
SOUTH ST. PAUL, MN 55075