

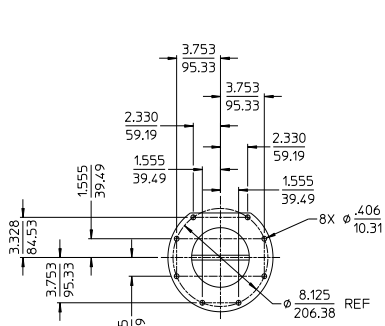


Document Number	Issue Date	Rev. Date
DPL 82332	12/02/97	7/22/21

Dimensional Drawings for CRQA Series Fire Pump

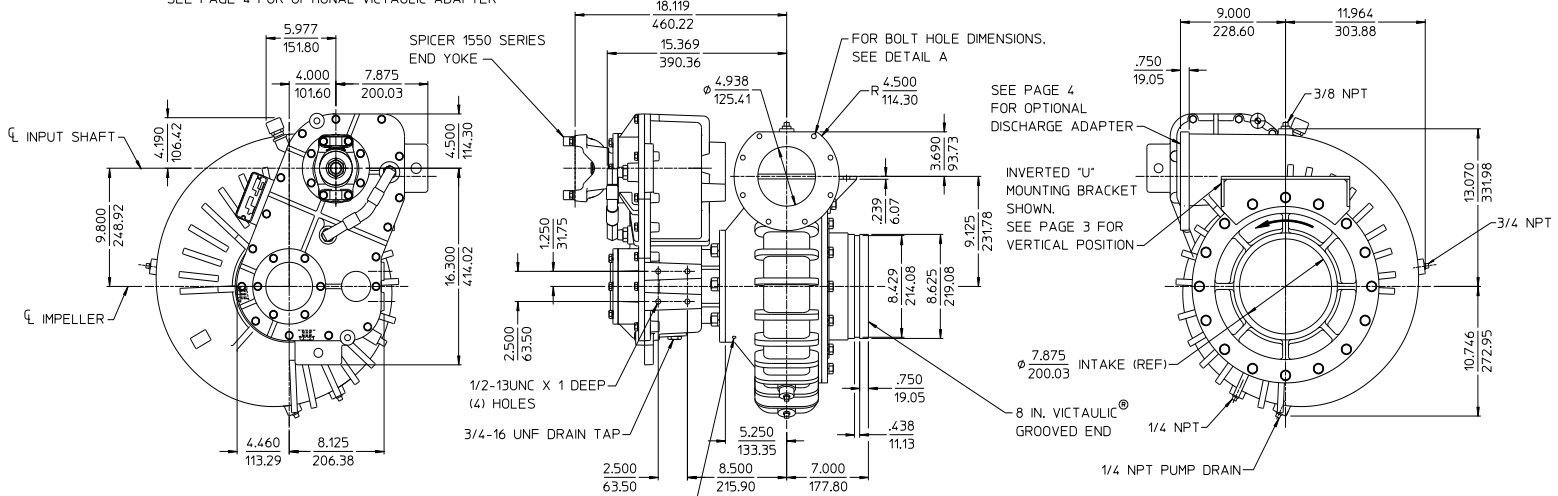
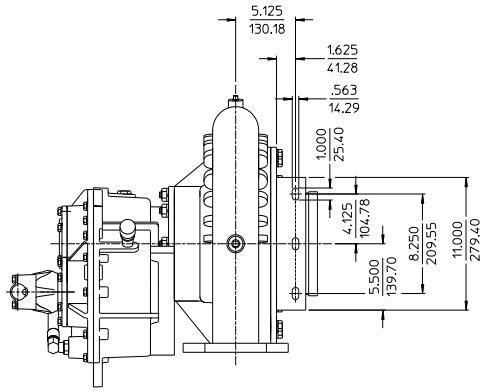
Index:

Description	See Page
Basic Pump Dimensions	2
Available Mounting Bracket Positions	3
Available Discharge Positions and Ordering Information	4



DETAIL A
DISCHARGE FLANGE

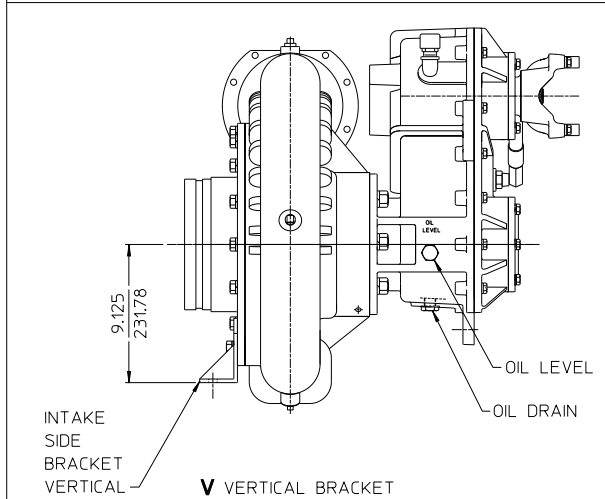
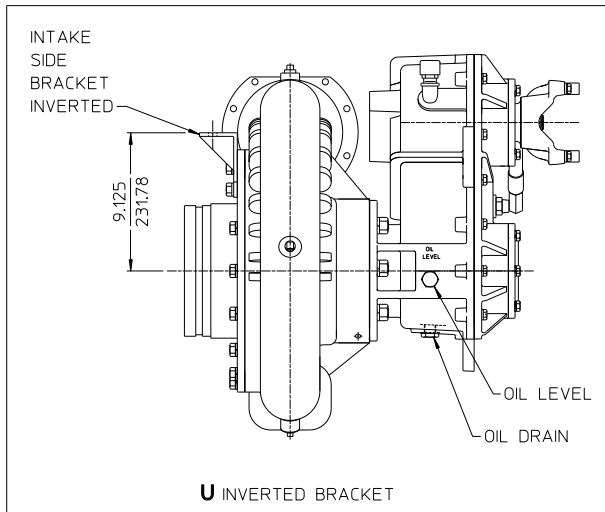
SEE PAGE 4 FOR OPTIONAL VICTAULIC ADAPTER



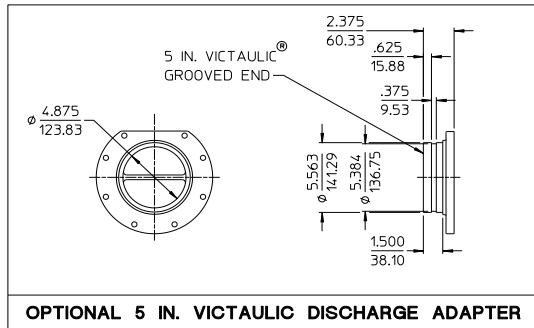
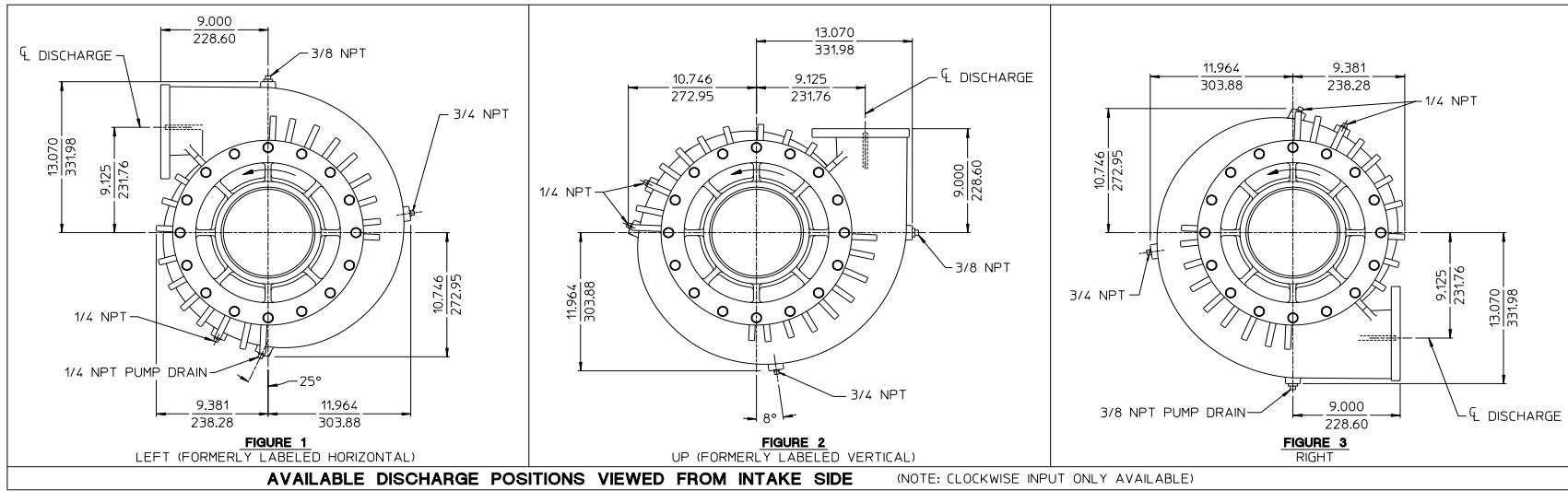
ALL DIMENSIONS SHOWN IN INCH/MILLIMETER
(INCH)
(MILLIMETER)

BASIC PUMP DIMENSIONS

LEFT FIGURE NUMBER 1 MOUNTING SHOWN
(SEE PAGES 3 & 4 FOR OPTIONAL MOUNTING CONFIGURATIONS)
CLOCKWISE INPUT



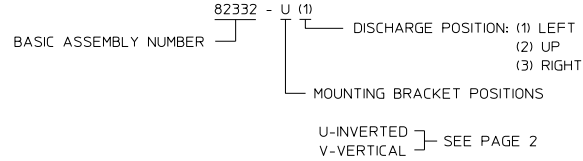
AVAILABLE MOUNTING BRACKET POSITIONS



ORDERING INFORMATION

WHEN ORDERING, SUPPLY THE FOLLOWING INFORMATION:

1. BASIC ASSEMBLY NUMBER: 82332.
2. SUFFIXES WHICH INDICATE MOUNTING BRACKET POSITIONS AND DISCHARGE POSITION:



ALL DIMENSIONS SHOWN IN INCH/MILLIMETER

$\left(\frac{\text{INCH}}{\text{MILLIMETER}} \right)$