



Document Number	Issue Date	Rev. Date
DPL 82343	11/05/97	10/28/09

Bronze CM Series Fire Pump Dimensional Drawings CM/CPK Combination Pumps with PA Series Transmission

Pump and Transmission							
Pump Type	Transmission		Pump Model		Assembly Number	Input Rotation (1)	See Page
	Model	Drive	Main CM Pump	Secondary CPK Pump			
Two Stage Series/Parallel with CPK Stage	PA Series	PTO Driven, Chain Drive	CMPA	CPK-2	82343	CW	2
			CMUPA	CPK-2	82343-1	CW	3

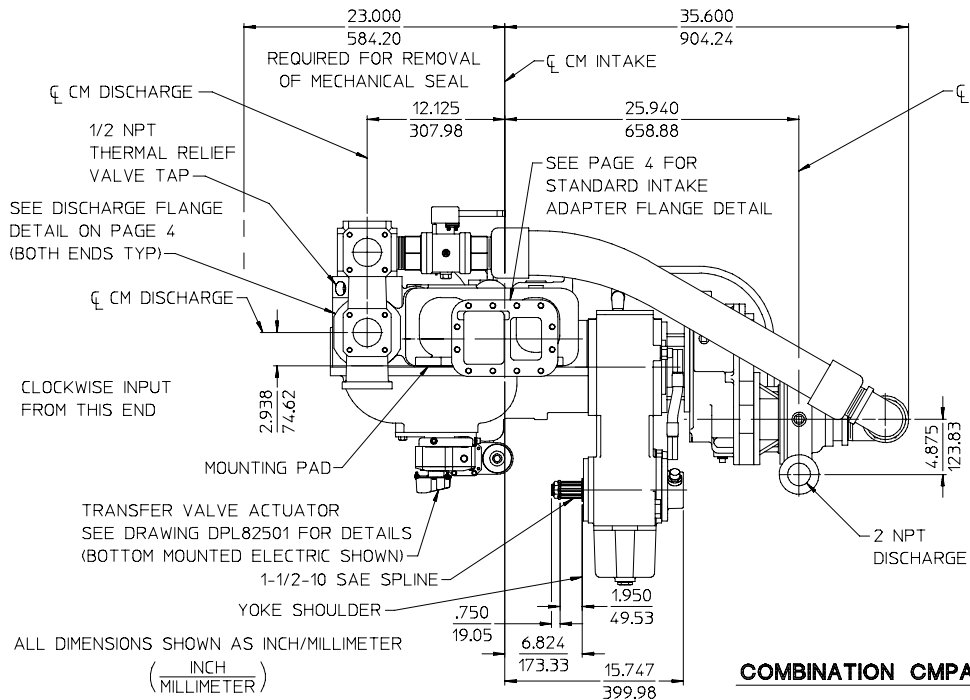
Notes:

1. Input rotation is viewed looking directly at the transmission input shaft.

Basic Pump Dimensions		
Pump	Feature	See Page
Main CM Pump	Intake Adapter Flange	4
	Dishcharge Connections	
	Tank to Pump Flange Options	5
Secondary CPK Pump		6

TABLE 1 - AVAILABLE AS FOLLOWS

MODEL	RATIO	DIMENSION A	DIMENSION B	DIMENSION C	DRIVELINE	
					SIZE	SPLINE
PA	1.71	11.145/283.09	8.169/207.49	11.364/288.65	1-1/2 INCH	1-1/2-10 SAE
	1.91	11.217/284.92	8.097/205.66	11.438/290.53		
	2.05	10.941/277.91	8.373/212.67	11.142/283.01		
CPK-2	1.62					
	1.97					
	2.55					
	3.40					



COMBINATION CMPA/CPK-2, ASS'Y NO. 82343

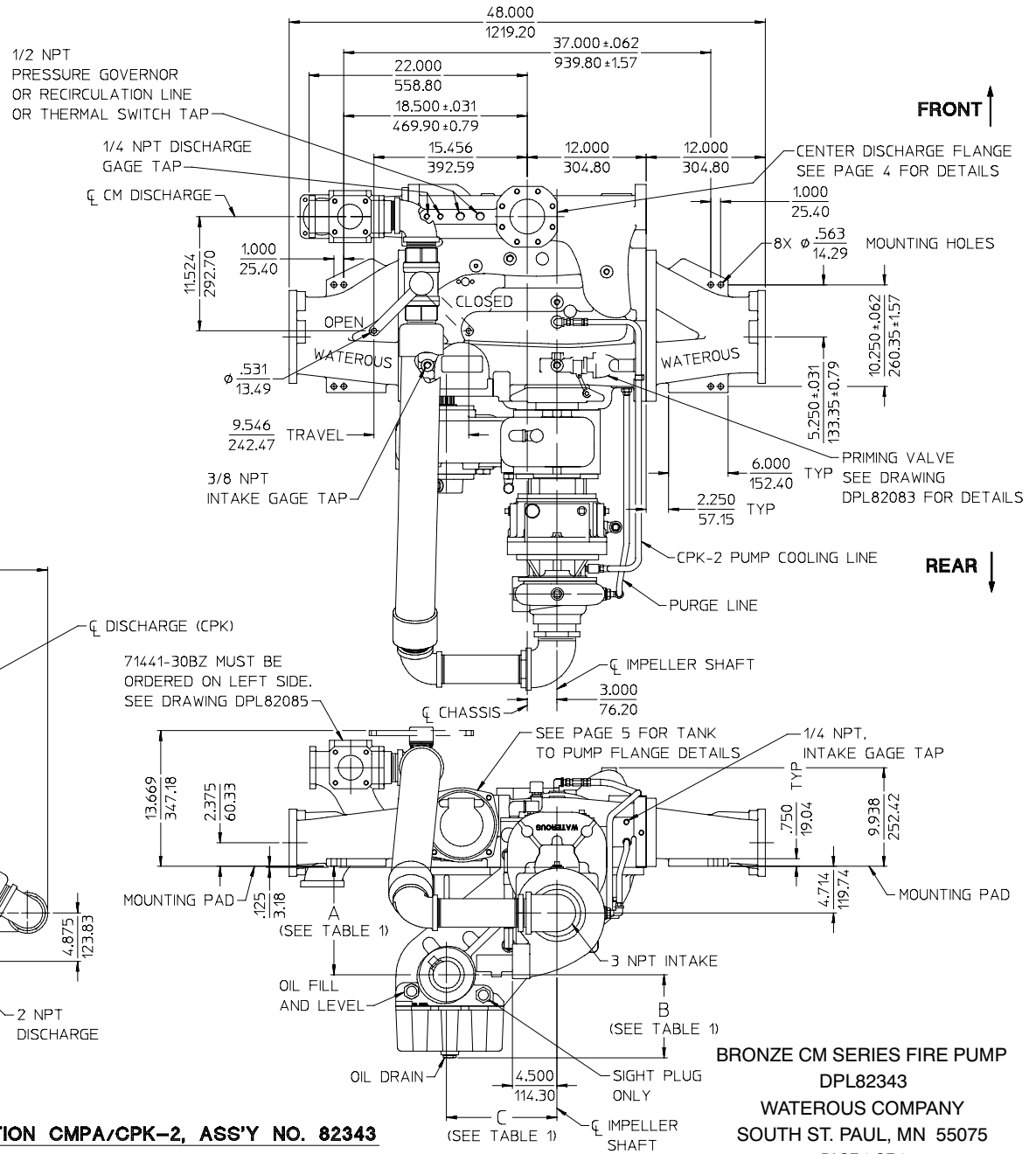
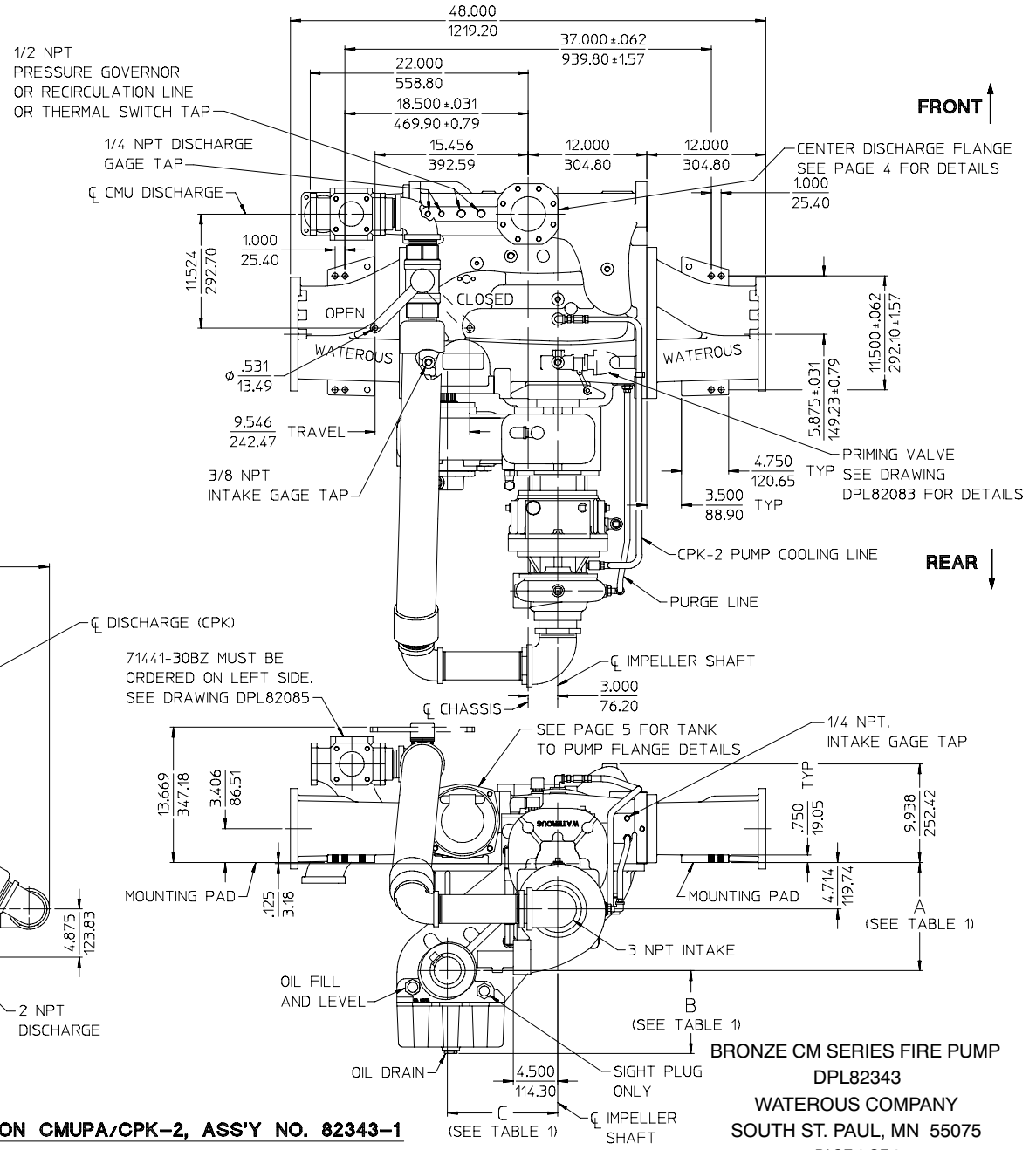
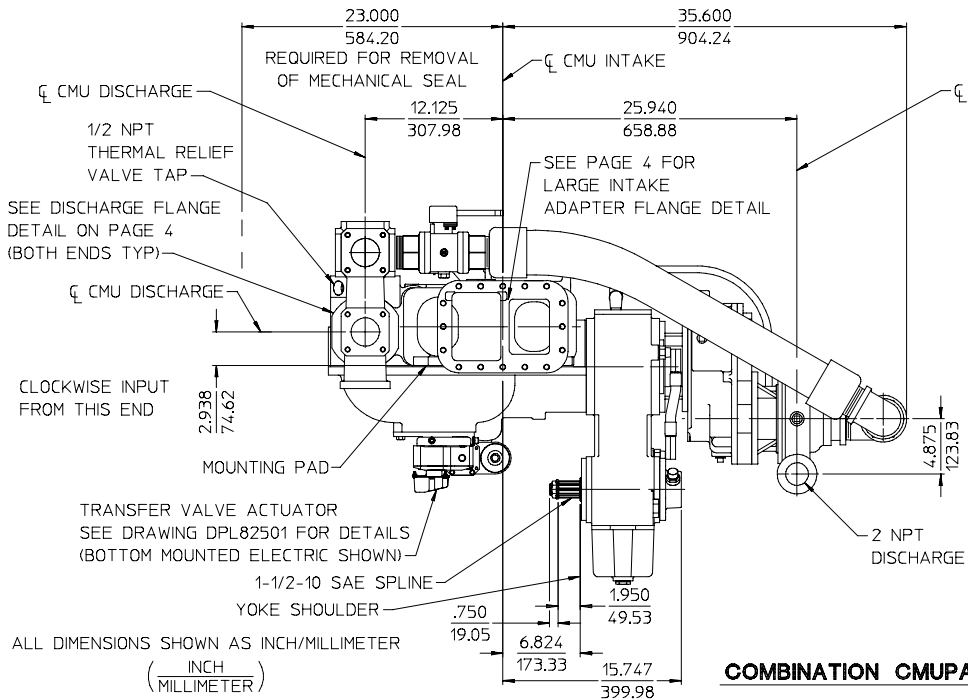
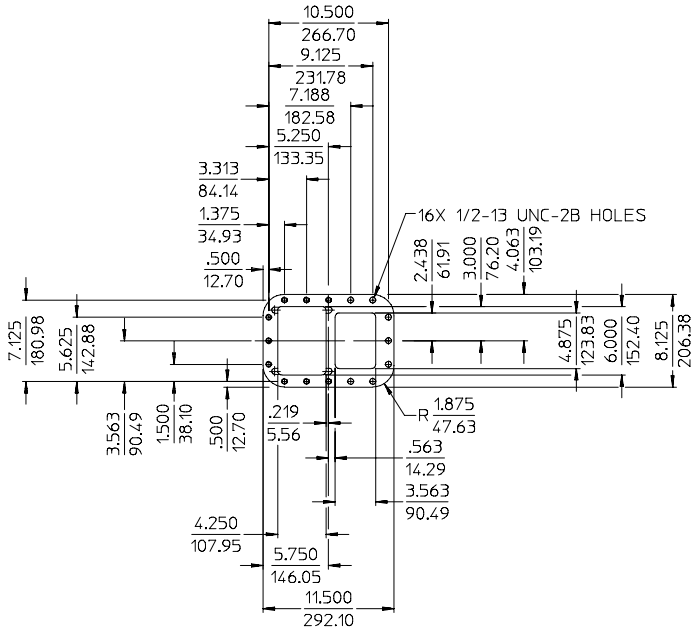


TABLE 1 - AVAILABLE AS FOLLOWS

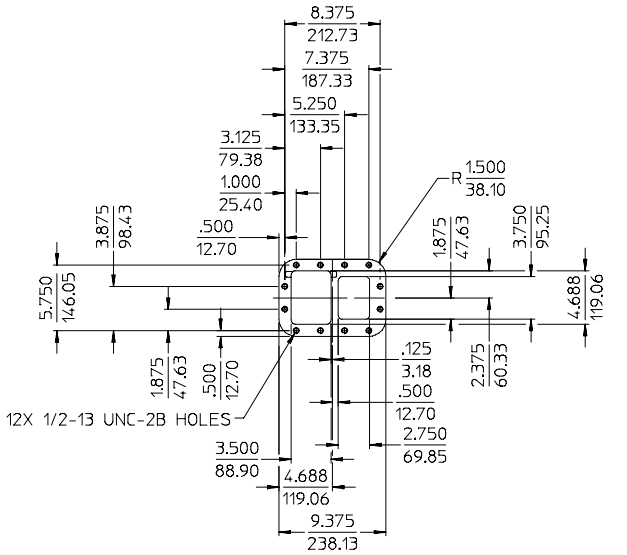
MODEL	RATIO	DIMENSION A	DIMENSION B	DIMENSION C	DRIVELINE	
					SIZE	SPLINE
PA	1.71	11.145/283.09	8.169/207.49	11.364/288.65	1-1/2 INCH	1-1/2-10 SAE
	1.91	11.217/284.92	8.097/205.66	11.438/290.53		
	2.05	10.941/277.91	8.373/212.67	11.142/283.01		
CPK-2	1.62					
	1.97					
	2.55					
	3.40					



COMBINATION CMUPA/CPK-2, ASS'Y NO. 82343-1

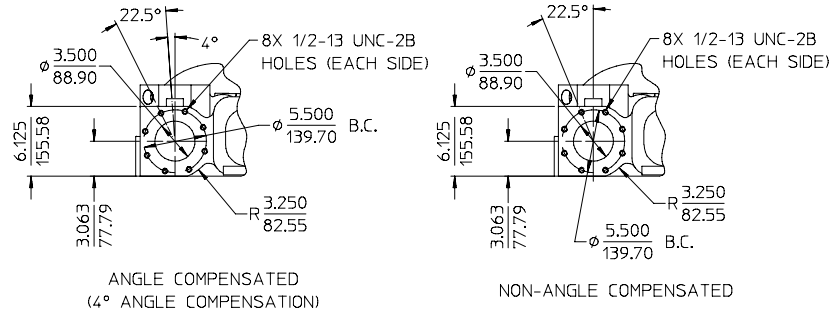


LARGE INTAKE ADAPTER FLANGE DETAIL
SPECIFY INTAKE FITTINGS FROM SECTION 2 OF DRAWING DPL81867

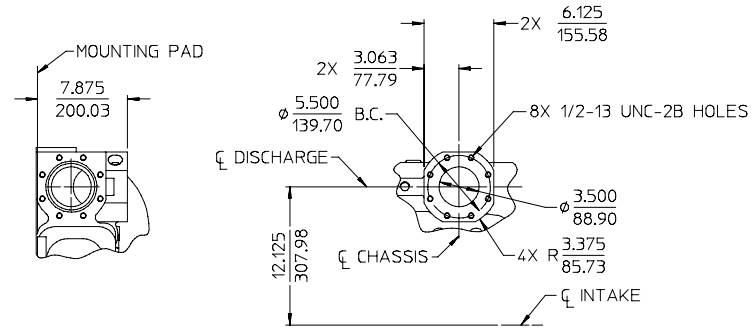


STANDARD INTAKE ADAPTER FLANGE DETAIL
SPECIFY INTAKE FITTINGS FROM SECTION 1 OF DRAWING DPL81867

INTAKE ADAPTER FLANGE



DISCHARGE FLANGE CONFIGURATIONS
SEE DRAWING DPL82085 FOR INFORMATION
ON ORDERING DISCHARGES FITTING AND VALVES

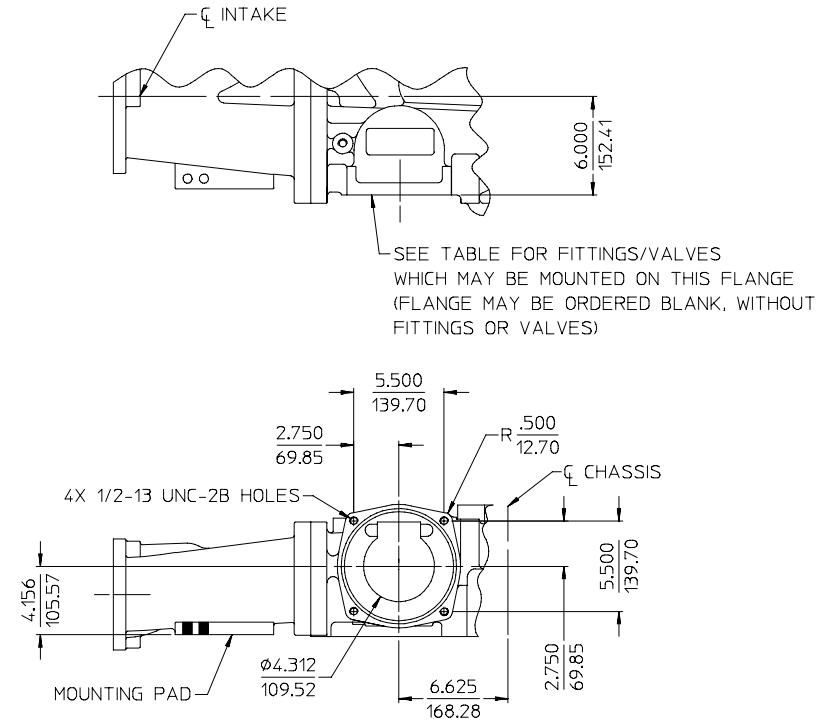
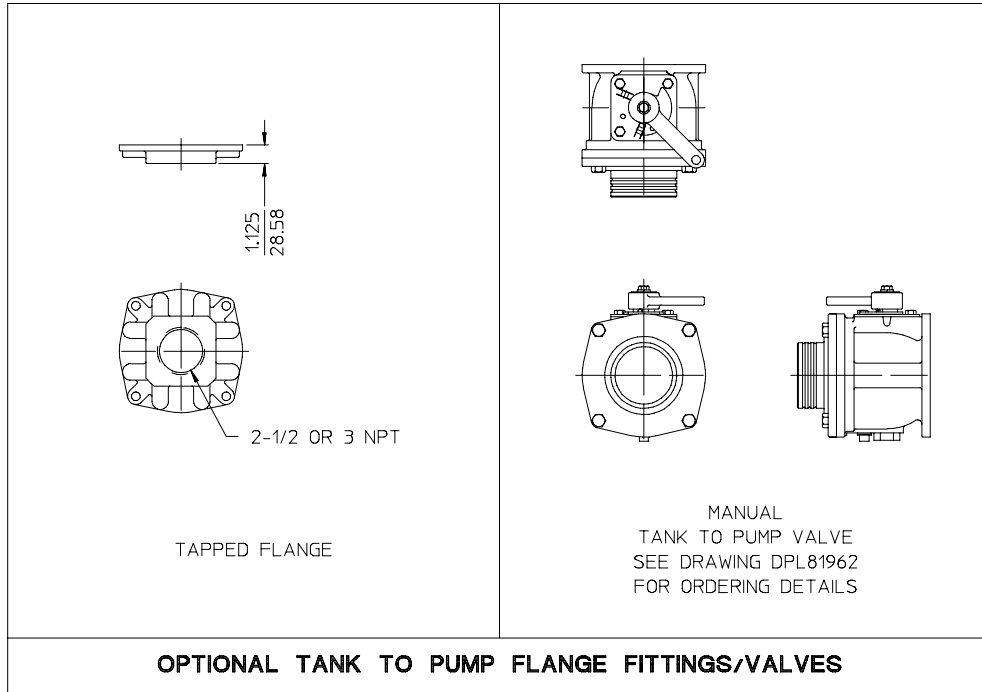


CENTER DISCHARGE FLANGE
SEE DRAWING DPL82089 FOR INFORMATION ON ORDERING DISCHARGE FITTINGS
OR SEE WATEROUS "CENTER DISCHARGE PIPING MANUAL" FOR AVAILABLE
EXISTING ARRANGEMENTS

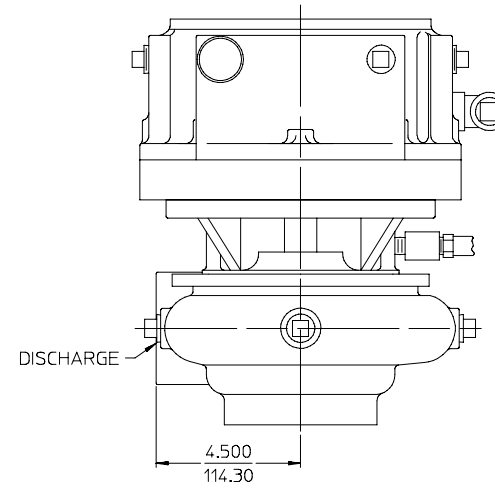
DISCHARGE CONNECTIONS

ALL DIMENSIONS SHOWN AS INCH/MILLIMETER
($\frac{\text{INCH}}{\text{MILLIMETER}}$)

BRONZE CM SERIES FIRE PUMP
DPL82343
WATEROUS COMPANY
SOUTH ST. PAUL, MN 55075
PAGE 4 OF 6



ALL DIMENSIONS SHOWN AS INCH/MILLIMETER
($\frac{\text{INCH}}{\text{MILLIMETER}}$)



ORDERING INFORMATION

CMPA/CPK-2
CMUPA/CPK-2

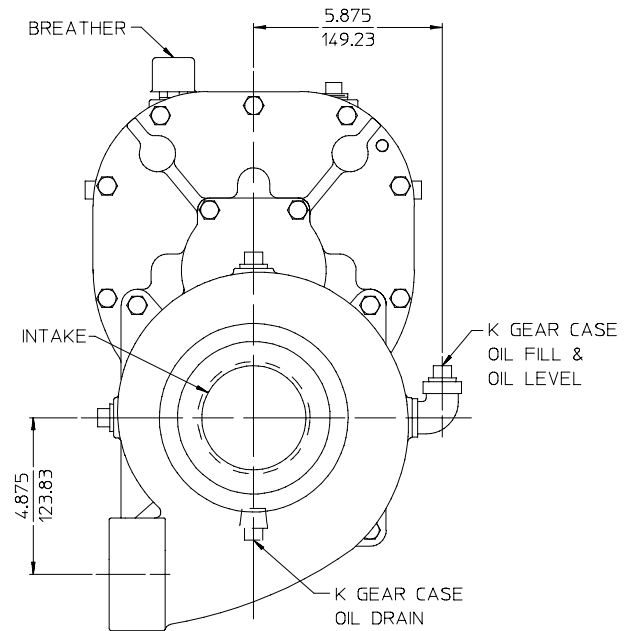
SPECIFY CMPA/CMUPA PUMP AND CPK-2 PUMP SEPARATELY

CMPA/CMUPA PUMP - MODEL: CMPA OR CMUPA

RATIO: SEE TABLE 1 ON PAGE 2 OR 3

CPK PUMP - MODEL: CPK-2

RATIO: SEE TABLE 1 ON PAGE 2 OR 3



CMPA/CPK-2
CMUPA/CPK-2
INVERTED TRANSMISSION MOUNTING
DISCHARGE FIGURE 2

BRONZE CM SERIES FIRE PUMP
DPL82343

WATEROUS COMPANY
SOUTH ST. PAUL, MN 55075

PAGE 6 OF 6

ALL DIMENSIONS SHOWN AS INCH/MILLIMETER

($\frac{\text{INCH}}{\text{MILLIMETER}}$)

CPK-2 PUMP CONFIGURATION