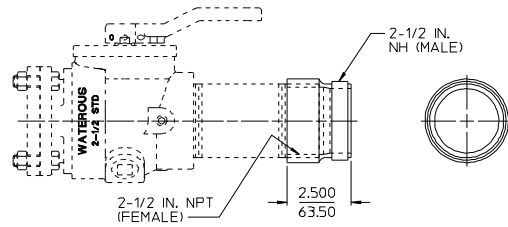


Dimensional Drawings for Optional Discharge Valve Items

Index:

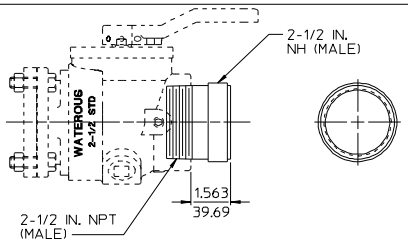
Item	See Page
Chrome Plated Thread Adapters	1
Threaded Nipples	
Threaded Extensions	
Tapped Flanges	
Control Rods and Handle	2
Flowmeter Pad Adapters	
Wire Extension Kits	
Universal Joints	

CHROME PLATED THREADED ADAPTERS



THREAD ADAPTER

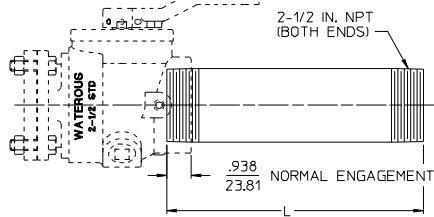
VALVE SIZE	PART NO.	PLATING
2-1/2 IN.	51042-CR	CHROME



THREAD ADAPTER

VALVE SIZE	PART NO.	PLATING
2-1/2 IN.	51105-CR	CHROME

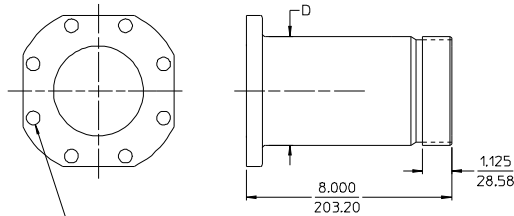
THREADED NIPPLES



PIPE NIPPLES

VALVE SIZE	PART NO.	L	PLATING
2-1/2 IN.	W6040-64G	4.000/101.60	GALVANIZED IRON
	W6040-160G	10.000/254.00	
	W6040-168G	10.500/266.70	BRONZE
	W6040-160B	10.000/254.00	

THREADED EXTENSIONS



(8) HOLES ON ϕ 5.500/139.73 B.C.
MOUNTS ON ANY 3-1/2 IN. DISCHARGE VALVE FLANGE

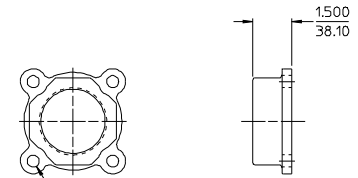
THREADED EXTENSIONS

VALVE SIZE	THREAD SIZE	PART NO.	D	INCLUDES GASKET
3-1/2 IN.	3-1/2 IN. NH	72072-A	4.250/107.95	51195
	4 IN. NH	72071-A	4.750/120.65	

ALL DIMENSIONS SHOWN AS INCH/MILLIMETER
(INCH)
(MILLIMETER)

TAPPED FLANGES

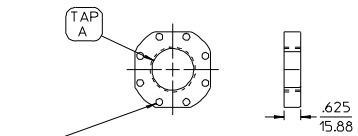
ORDER ONE FLANGE WHEN IN-LINE VALVE MOUNTING IS REQUIRED



(4) HOLES ON ϕ 4.375/111.13 B.C.
MOUNTS ON ANY 2-1/2 IN. DISCHARGE FLANGE

VALVE SIZE	FLANGE PART NO.
2-1/2 IN. STANDARD	61250-1A
2-1/2 IN. FULL FLOW	61250-A

ORDER TWO FLANGES WHEN IN-LINE VALVE MOUNTING IS REQUIRED

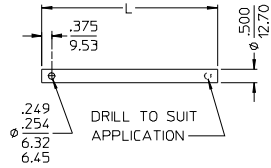


(8) HOLES ON ϕ 5.500/139.73 B.C.
MOUNTS ON ANY 3-1/2 IN. DISCHARGE VALVE FLANGE

TAPPED FLANGES

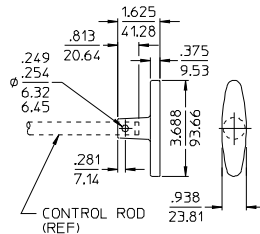
VALVE SIZE	TAP A	PART NO.	INCLUDES GASKET
3-1/2 IN.	3 IN. NPT	51744-A	51195
	3-1/2 IN. NPT	51744-1A	
	4 IN. NPT	51744-4C	

**CONTROL RODS & HANDLE
(FOR PUSH-PULL VALVES)**



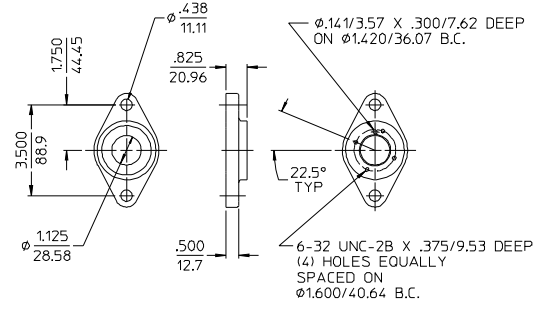
CONTROL RODS

PART NO.	L	LOCATION (REF)
51302-11	10.938/277.83	PANEL SIDE
51302-61	61.375/1558.93	REMOTE SIDE



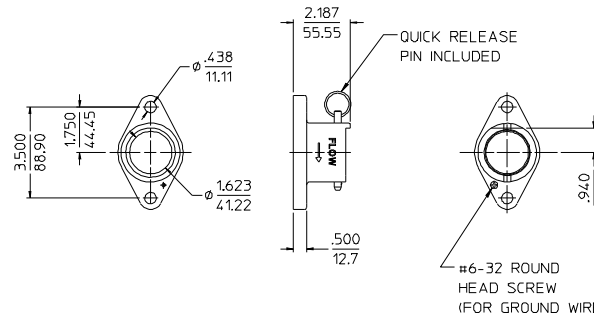
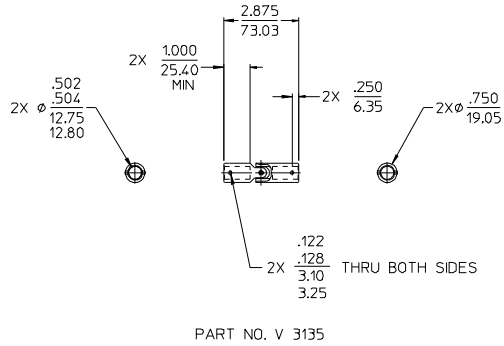
CHROME PLATED CONTROL HANDLE
KIT K680
(INCLUDES .250/6.35 X .687/17.45
LONG S.S. SPRING PIN)

FLOWMETER PAD ADAPTERS



PART NO.	DESCRIPTION	INCLUDES
72985-A	FLOW SENSOR ADAPTER (CLASS 1)	W 3732-4 O-RING AND MOUNTING HARDWARE

UNIVERSAL JOINT



PART NO.	DESCRIPTION	INCLUDES
72571-A	FLOW SENSOR ADAPTER (FOAMPRO FLOWMETER)	W 3732-4 O-RING AND MOUNTING HARDWARE

WIRE EXTENSION KITS

VALVE ACTUATOR	WIRE LENGTH	KIT NO.
ELECTRIC ROTARY ACTUATOR	10 FEET	K 1100
MANUAL INDICATING ROTARY ACTUATOR	10 FEET	K 1101

ALL DIMENSIONS SHOWN
AS INCH/MILLIMETER
(INCH)
(MILLIMETER)