



Document Number	Issue Date	Rev. Date
DPL82501	11/15/99	05/16/12

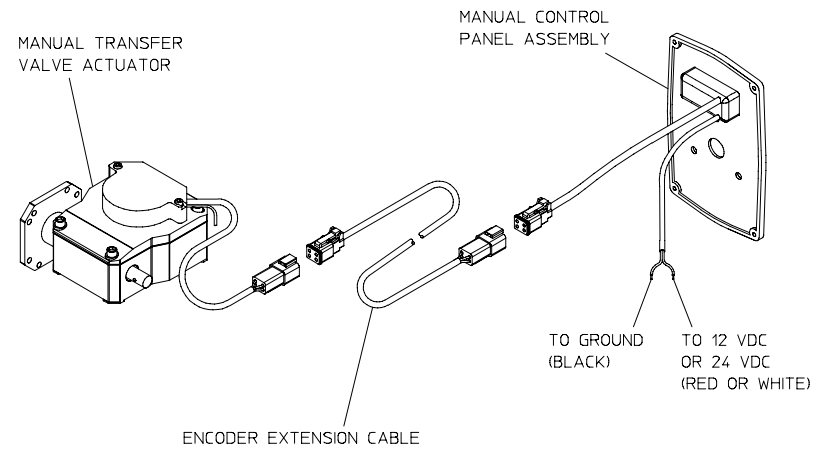
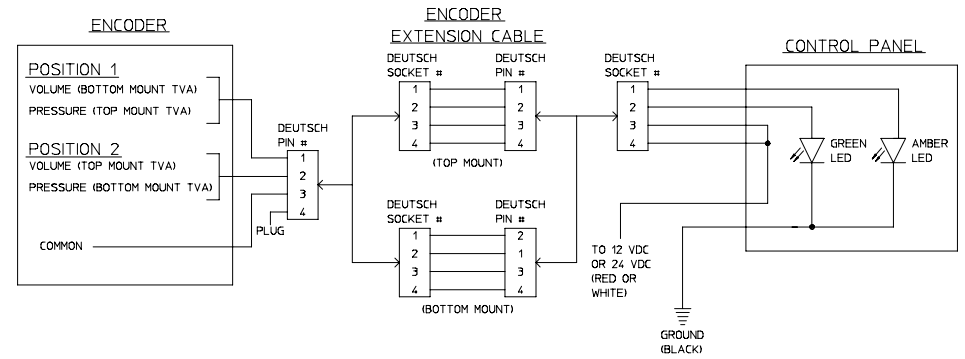
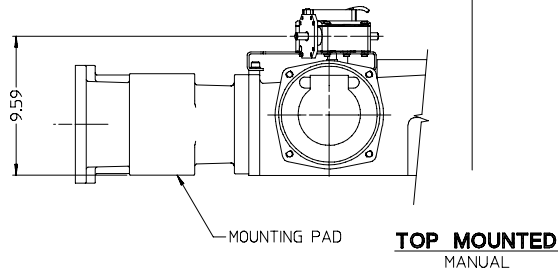
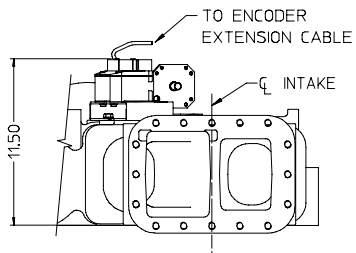
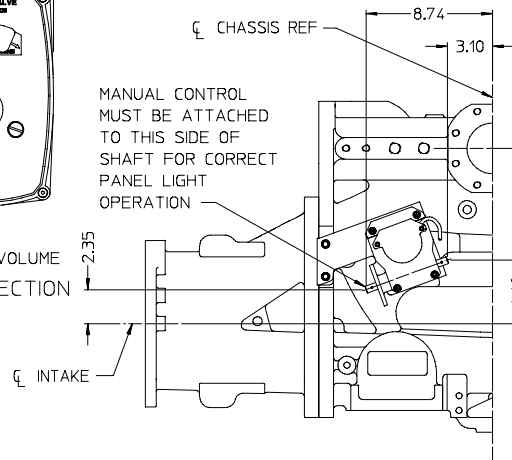
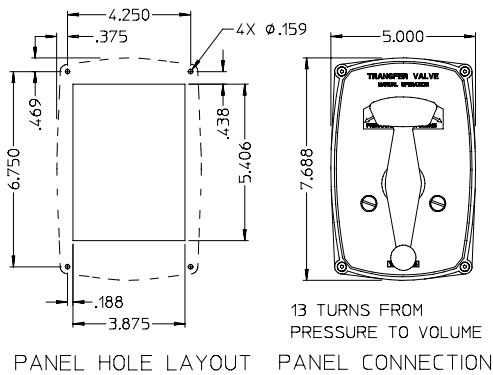
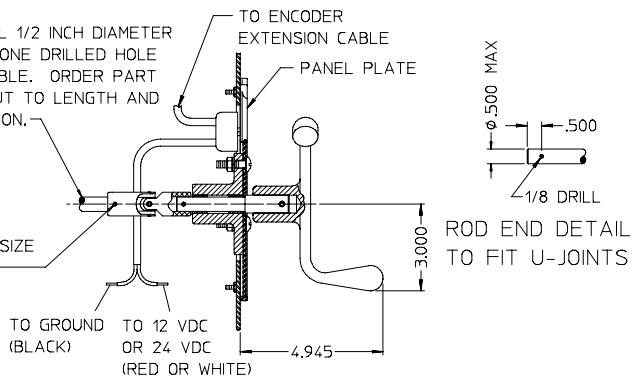
Transfer Valve Actuator Dimensional Drawings CM and CMU Series Fire Pumps

Index:

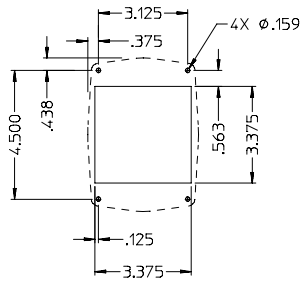
Mounting	Operation	See Page	
		Actuator	Manual Override
Top	Manual	2	-
	Electric	3	6
Bottom	Manual	4	-
	Electric	5	6

TO GEAR BOX, AN OPTIONAL 1/2 INCH DIAMETER X 28 INCH LONG ROD WITH ONE DRILLED HOLE FOR U-JOINT PIN IS AVAILABLE. ORDER PART NO. 63201. ROD MAY BE CUT TO LENGTH AND DRILLED TO SUIT APPLICATION.

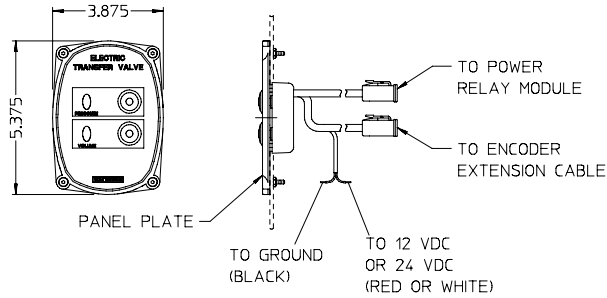
SEE ROD END DETAIL FOR SIZE AND HOLE REQUIREMENTS



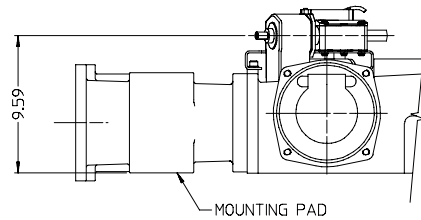
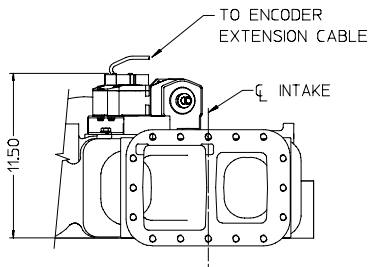
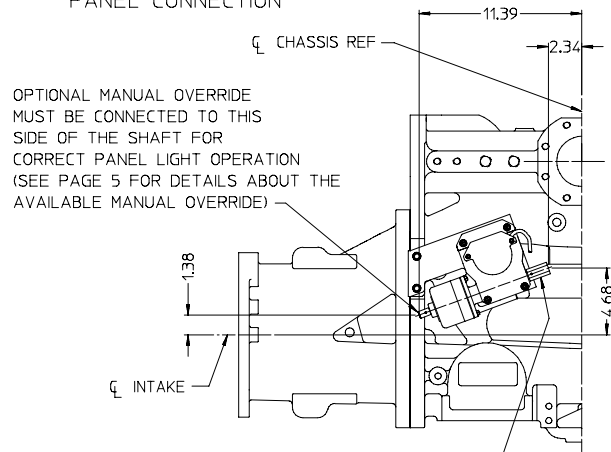
TRANSFER VALVE ACTUATOR
DPL82501
WATEROUS COMPANY
SOUTH ST. PAUL, MN 55075
PAGE 2 OF 6



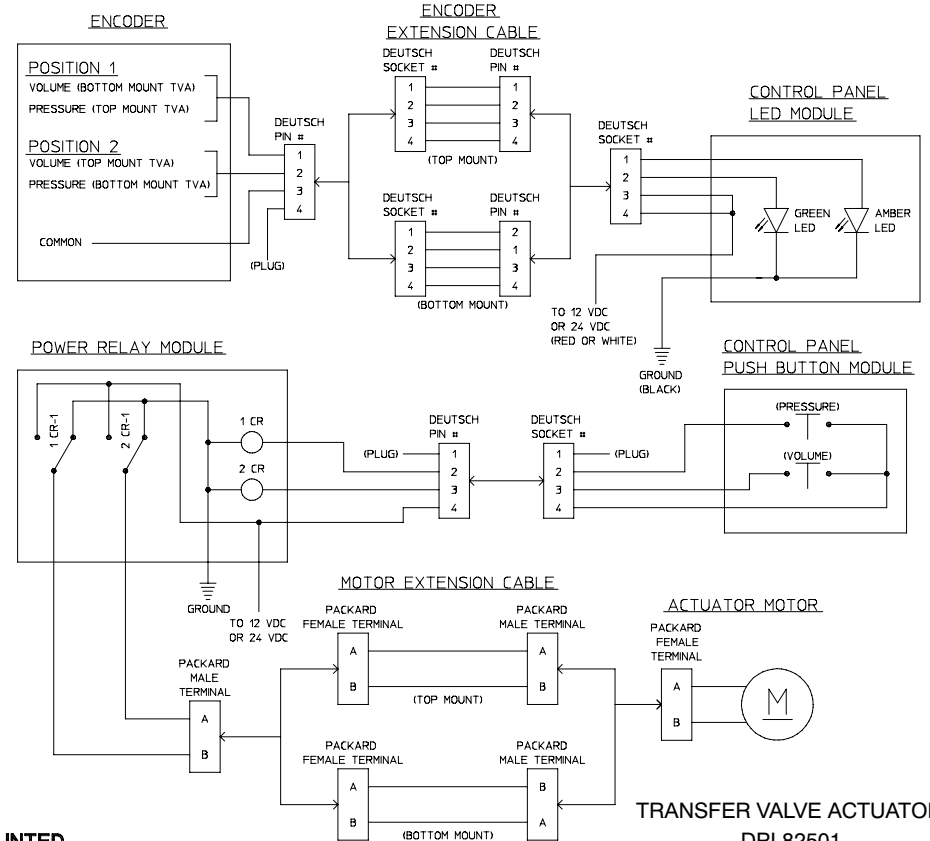
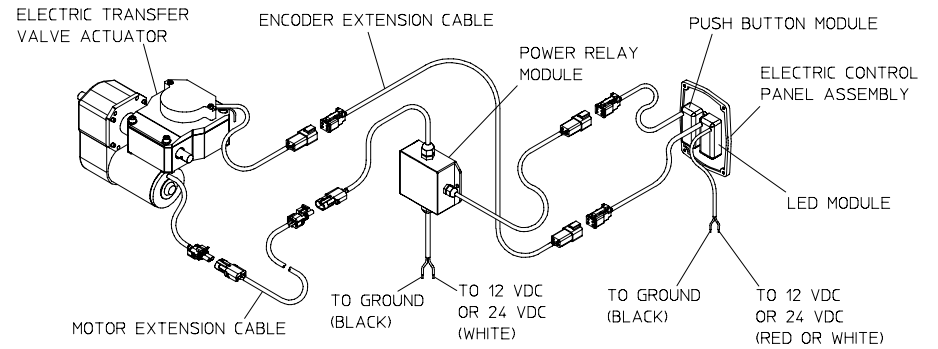
PANEL HOLE LAYOUT



PANEL CONNECTION



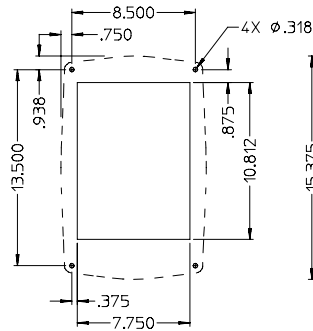
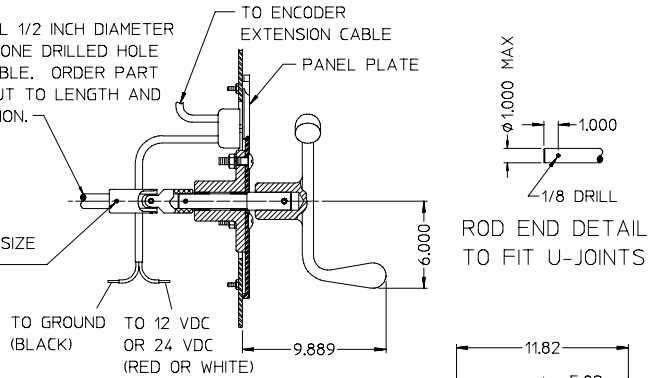
TOP MOUNTED
ELECTRIC



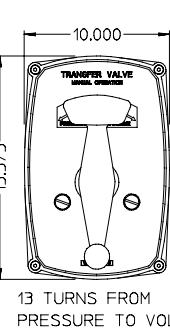
TRANSFER VALVE ACTUATOR
DPL82501
WATEROUS COMPANY
SOUTH ST. PAUL, MN 55075
PAGE 3 OF 6

TO GEAR BOX, AN OPTIONAL 1/2 INCH DIAMETER X 28 INCH LONG ROD WITH ONE DRILLED HOLE FOR U-JOINT PIN IS AVAILABLE. ORDER PART NO. 63201. ROD MAY BE CUT TO LENGTH AND DRILLED TO SUIT APPLICATION.

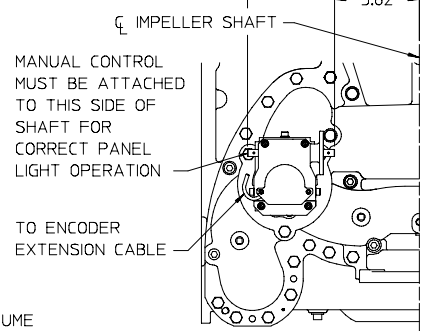
SEE ROD END DETAIL FOR SIZE AND HOLE REQUIREMENTS



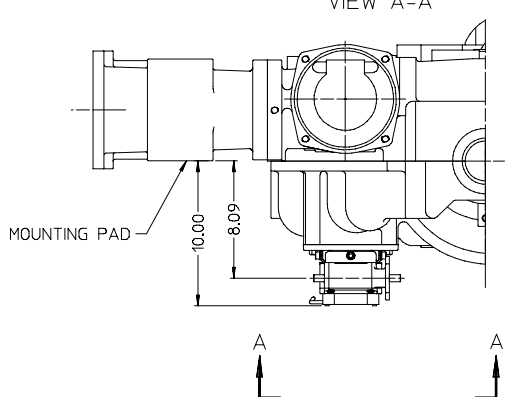
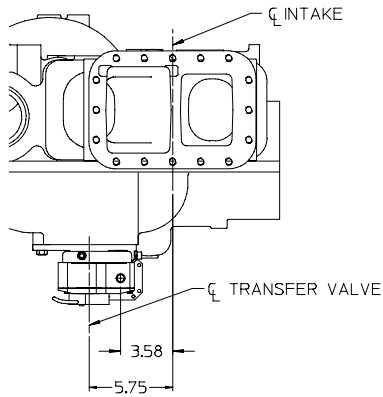
PANEL HOLE LAYOUT



PANEL CONNECTION

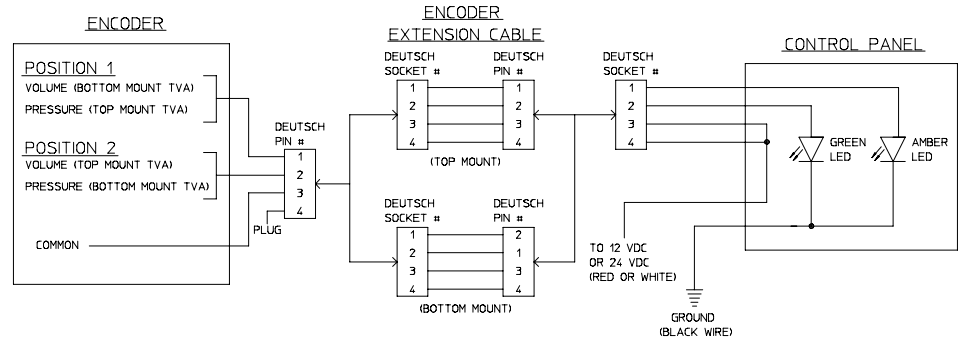


VIEW A-A



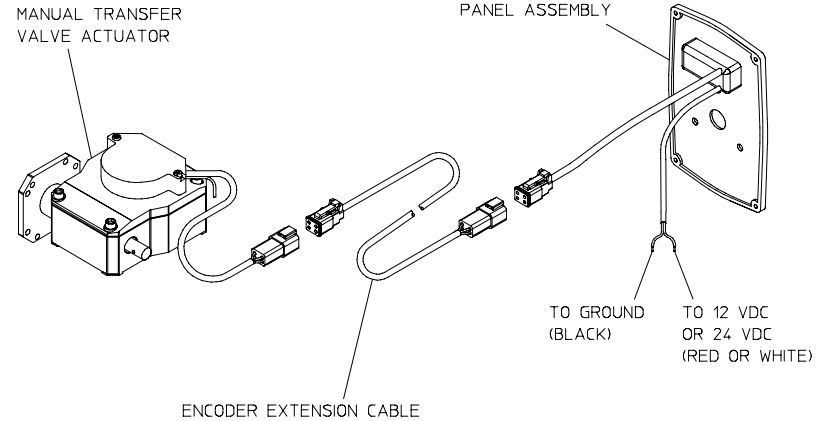
NOTE:
THE BOTTOM MOUNTED MANUAL TRANSFER VALVE ACTUATOR CANNOT BE USED ON PUMPS WITH PA TRANSMISSION OR C10B, C20B, YB OR YBX TRANSMISSIONS WITH 1810 SERIES END YOKE DUE TO ACTUATOR INTERFERENCE WITH DRIVELINE.

BOTTOM MOUNTED
MANUAL

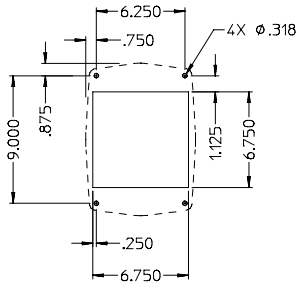


MANUAL TRANSFER VALVE ACTUATOR

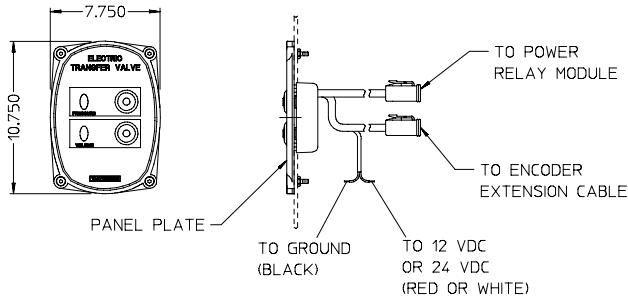
MANUAL CONTROL PANEL ASSEMBLY



TRANSFER VALVE ACTUATOR
DPL82501
WATEROUS COMPANY
SOUTH ST. PAUL, MN 55075
PAGE 4 OF 6



PANEL HOLE LAYOUT

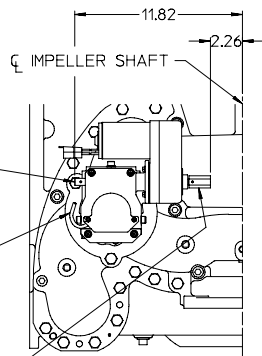


PANEL CONNECTION

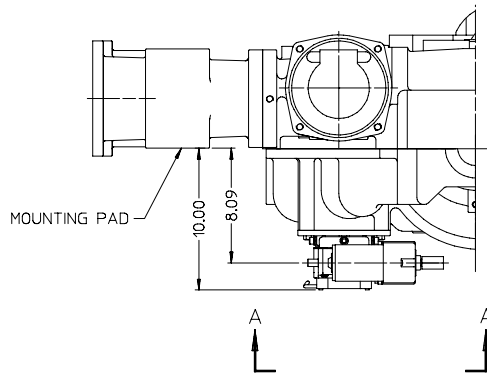
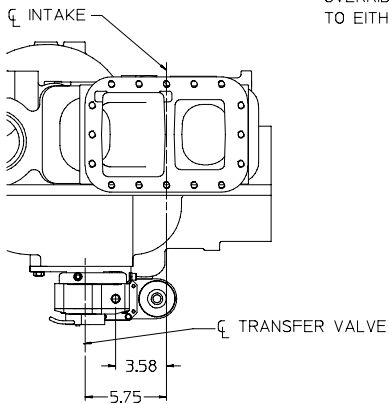
OPTIONAL MANUAL OVERRIDE MUST BE CONNECTED TO THIS SIDE OF THE SHAFT FOR CORRECT PANEL LIGHT OPERATION (SEE PAGE 5 FOR DETAILS ABOUT THE AVAILABLE MANUAL OVERRIDE)

TO ENCODER EXTENSION CABLE

ADAPTER NUT IS FURNISHED IN ASSEMBLIES WITHOUT MANUAL OVERRIDE. CAN BE ATTACHED TO EITHER SIDE OF GEAR BOX

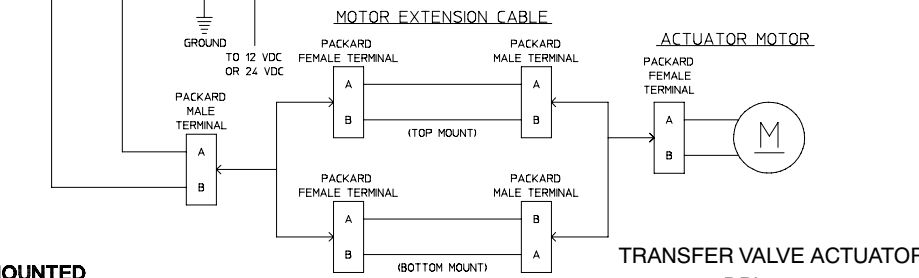
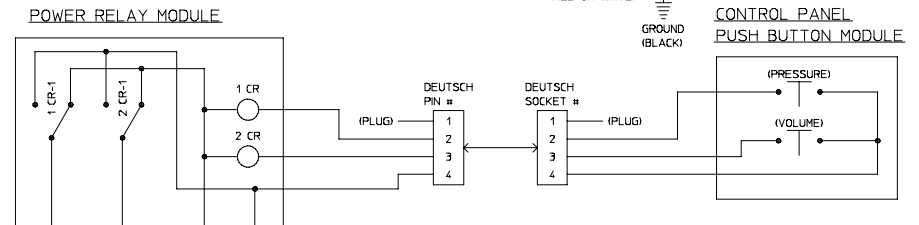
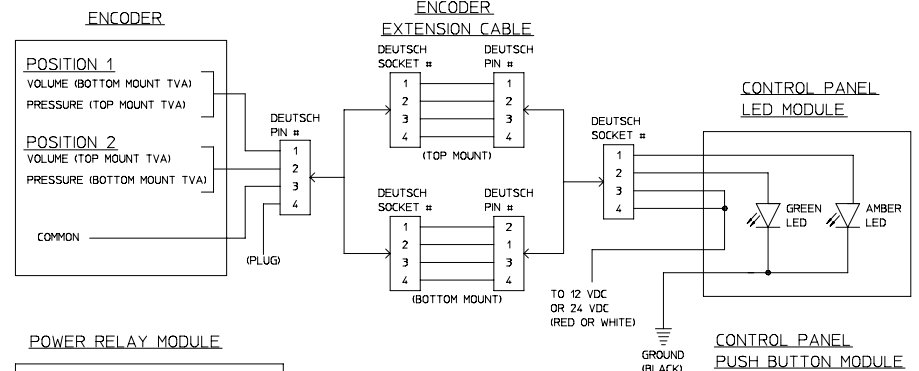
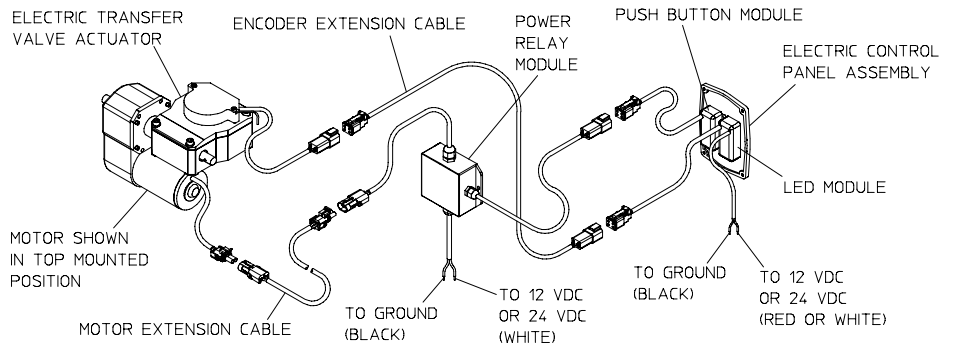


VIEW A-A



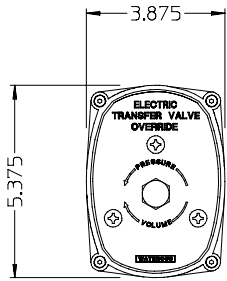
NOTE:
THE BOTTOM-MOUNTED ELECTRIC TRANSFER VALVE ACTUATOR CANNOT BE USED ON PUMPS WITH C10B, C20B, PA, YB OR YBX TRANSMISSIONS DUE TO ACTUATOR INTERFERENCE WITH DRIVELINE.

BOTTOM MOUNTED ELECTRIC

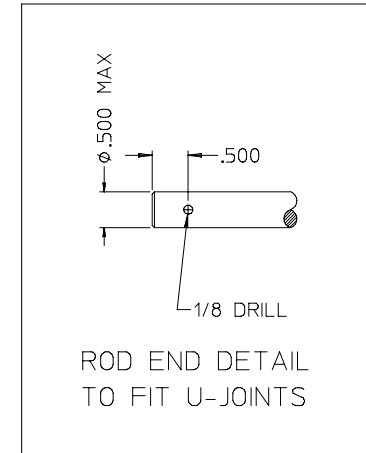
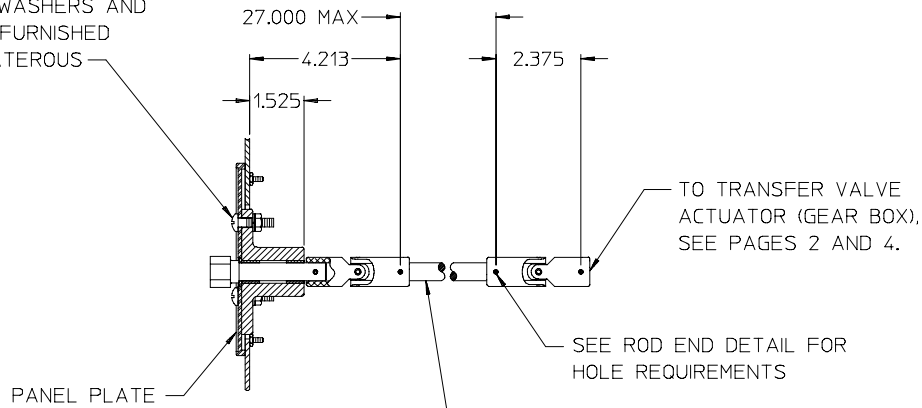


TRANSFER VALVE ACTUATOR DPL82501

WATEROUS COMPANY
SOUTH ST. PAUL, MN 55075

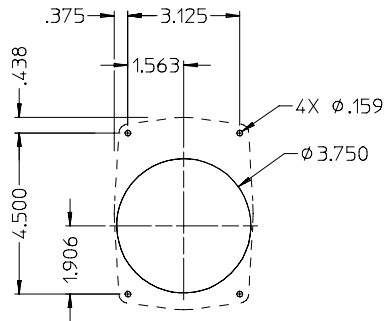


ROUND HEAD SCREWS,
LOCK WASHERS AND
NUTS FURNISHED
BY WATEROUS

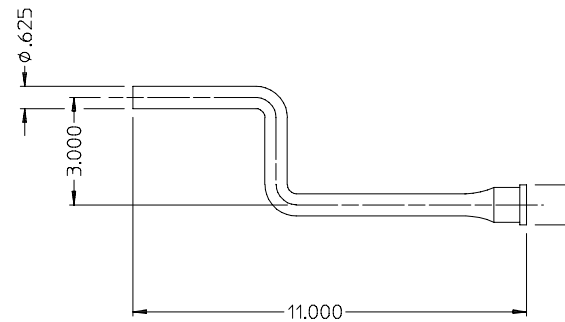


MANUAL OVERRIDE ASSEMBLY

AN OPTIONAL 1/2 INCH DIAMETER X 28 INCH LONG
ROD WITH ONE DRILLED HOLE FOR U-JOINT PIN
IS AVAILABLE. ORDER PART NO. 63201.
ROD MAY BE CUT TO LENGTH AND
DRILLED TO SUIT APPLICATION.



PANEL HOLE LAYOUT



CRANK HANDLE
(MUST BE STORED)

AVAILABLE MANUAL OVERRIDE FOR ELECTRIC ACTUATORS

TRANSFER VALVE ACTUATOR
DPL82501
WATEROUS COMPANY
SOUTH ST. PAUL, MN 55075
PAGE 6 OF 6