

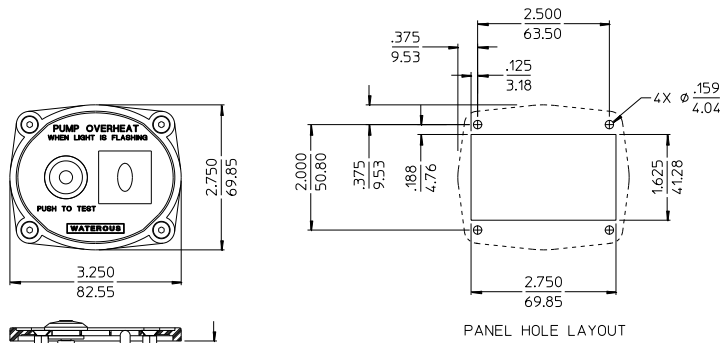


Document Number	Issue Date	Rev. Date
<b>DPL 82517</b>	<b>05/01/00</b>	<b>8/23/21</b>

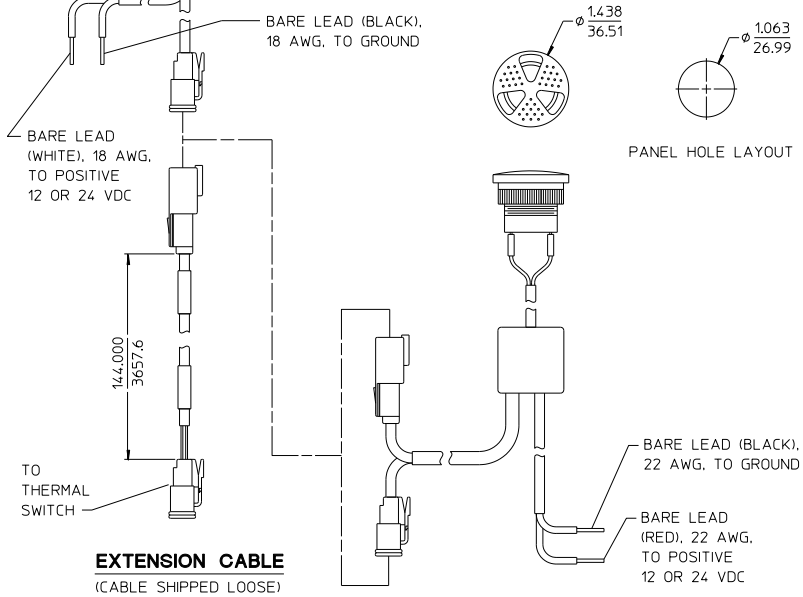
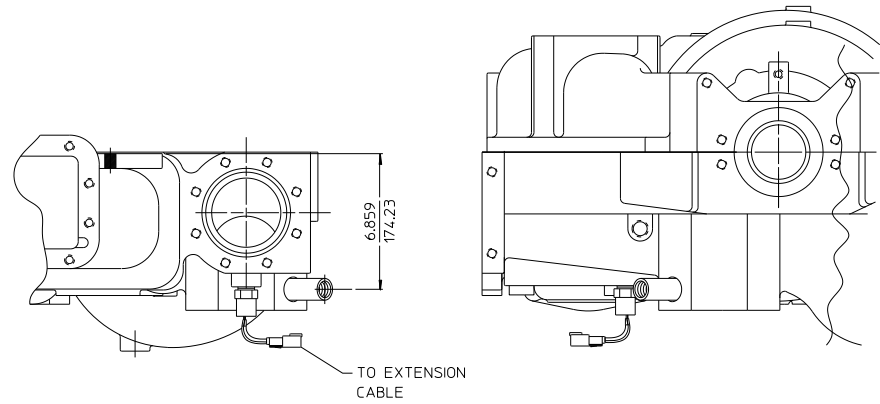
## Dimensional Drawings for Overheat Protection Manager

Contents:

<b>Pump Model</b>	<b>See Page</b>
CM & CS Series	2
All Other Models	3



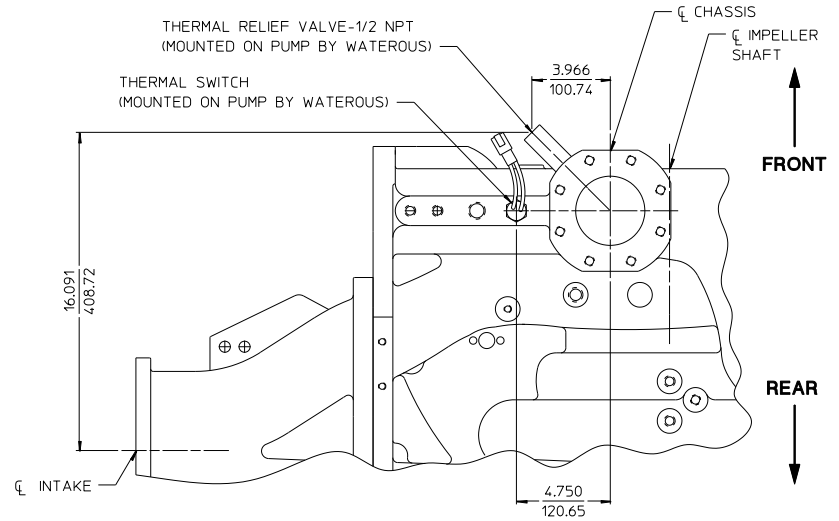
**PANEL PLATE DETAILS**  
(PANEL PLATE SHIPPED LOOSE)



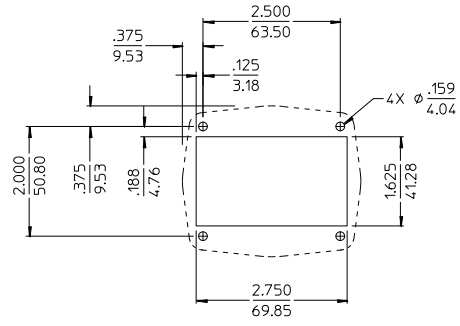
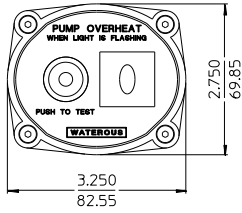
**EXTENSION CABLE**  
(CABLE SHIPPED LOOSE)

**OPTIONAL  
AUDIBLE ALARM**  
(CABLE SHIPPED LOOSE)

NOTE:  
1. ALL DIMENSIONS SHOWN AS INCH/MILLIMETER.  
( INCH / MILLIMETER )



**CM & CS SERIES PUMPS**



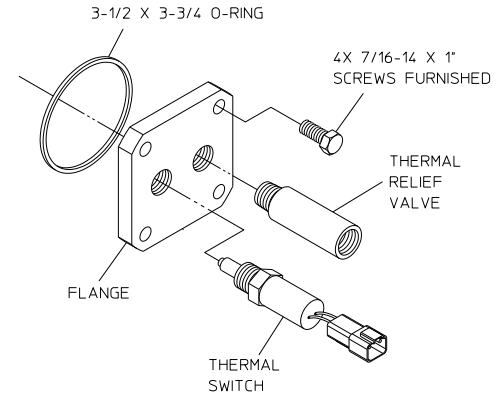
PANEL HOLE LAYOUT

**PANEL PLATE DETAILS**

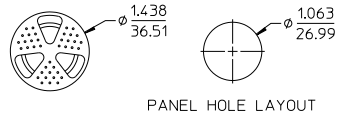
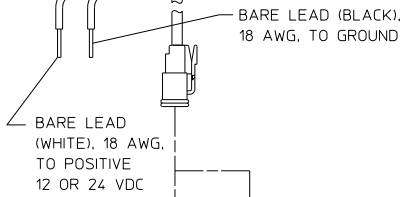
(PANEL PLATE SHIPPED LOOSE)

NOTE:  
1. ALL DIMENSIONS SHOWN AS INCH/MILLIMETER.

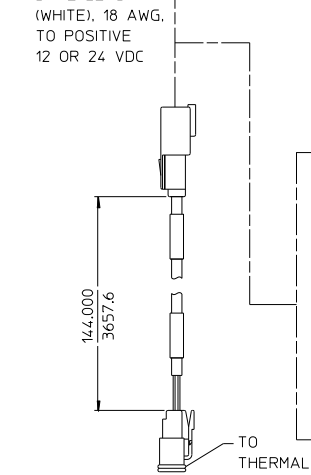
( INCH )  
( MILLIMETER )



COMPONENTS FURNISHED IN KIT, MOUNT AS CLOSE TO MAIN PUMP DISCHARGE AS POSSIBLE.

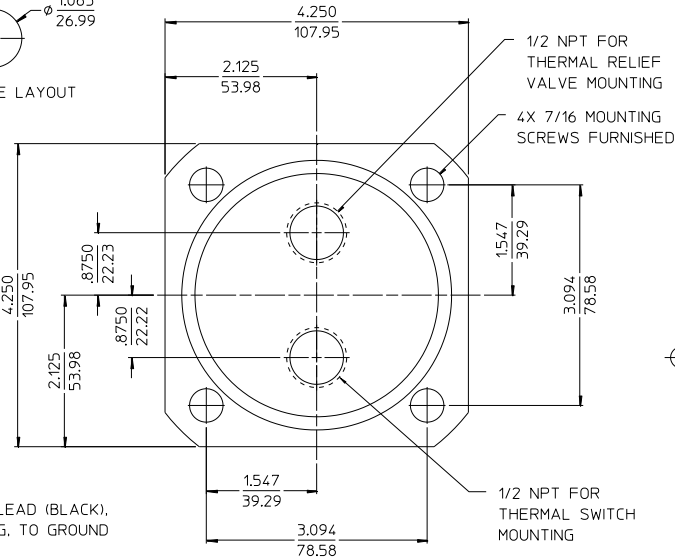
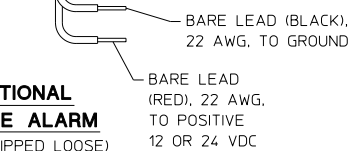


PANEL HOLE LAYOUT



**EXTENSION CABLE**  
(CABLE SHIPPED LOOSE)

**OPTIONAL AUDIBLE ALARM**  
(CABLE SHIPPED LOOSE)



**PUMP MODELS OTHER THAN CM & CS**

