



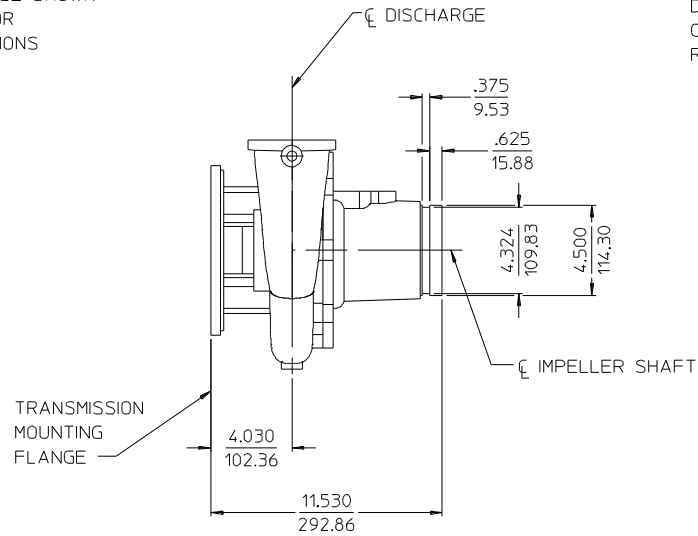
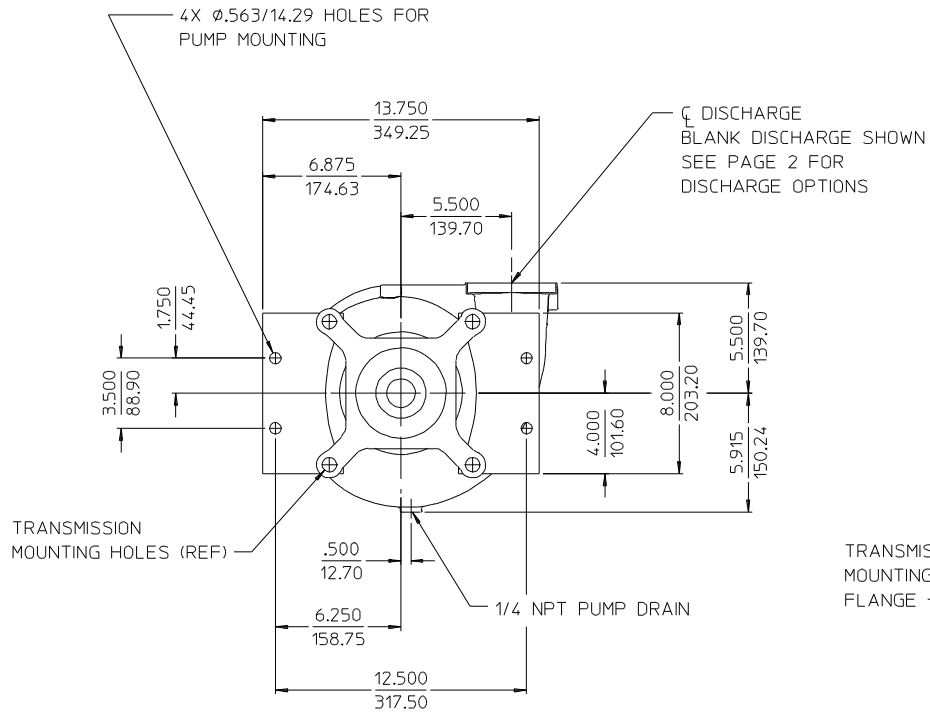
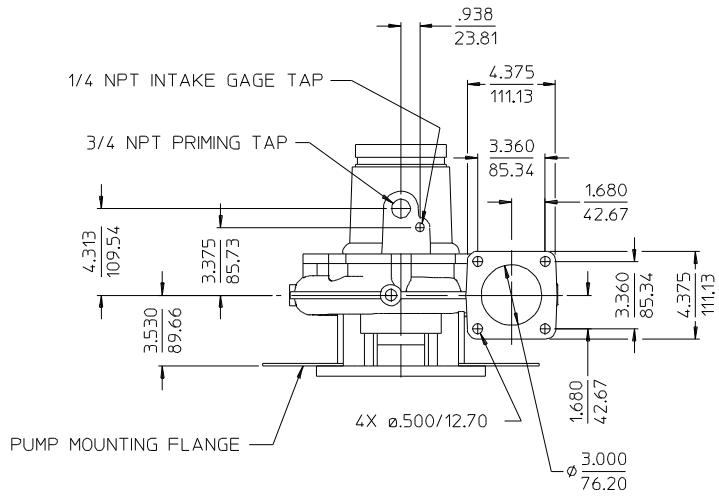
Document Number	Issue Date	Rev. Date
DPL82527	10/21/02	7/19/18

Dimensional Drawings for CLV Series Fire Pumps

Basic Pump			Drive		Pump Model	See Page					
Series	Intake		Transmission Model	Input Rotation (1)		Basic Pump Dimensions	Pump and Transmission	Optional			Ordering Info
	Type	Size						Discharge Fittings	Pump Discharge Positions	Transmission Mounting Positions	
CLV	Grooved (Victaulic)	4 in.	K Series Two Gear Increaser (No Clutch)	CW or CCW	CLVK	2	3	6	7	8	9
			T Series Two Gear Increaser, Direct Engine Mount	CW or CCW	CLVT	2	4				
			PA Series PTO Driven, Chain Drive	CW	CLVPA	2	5				

Note:

1. Input rotation is viewed looking directly at the transmission input shaft.

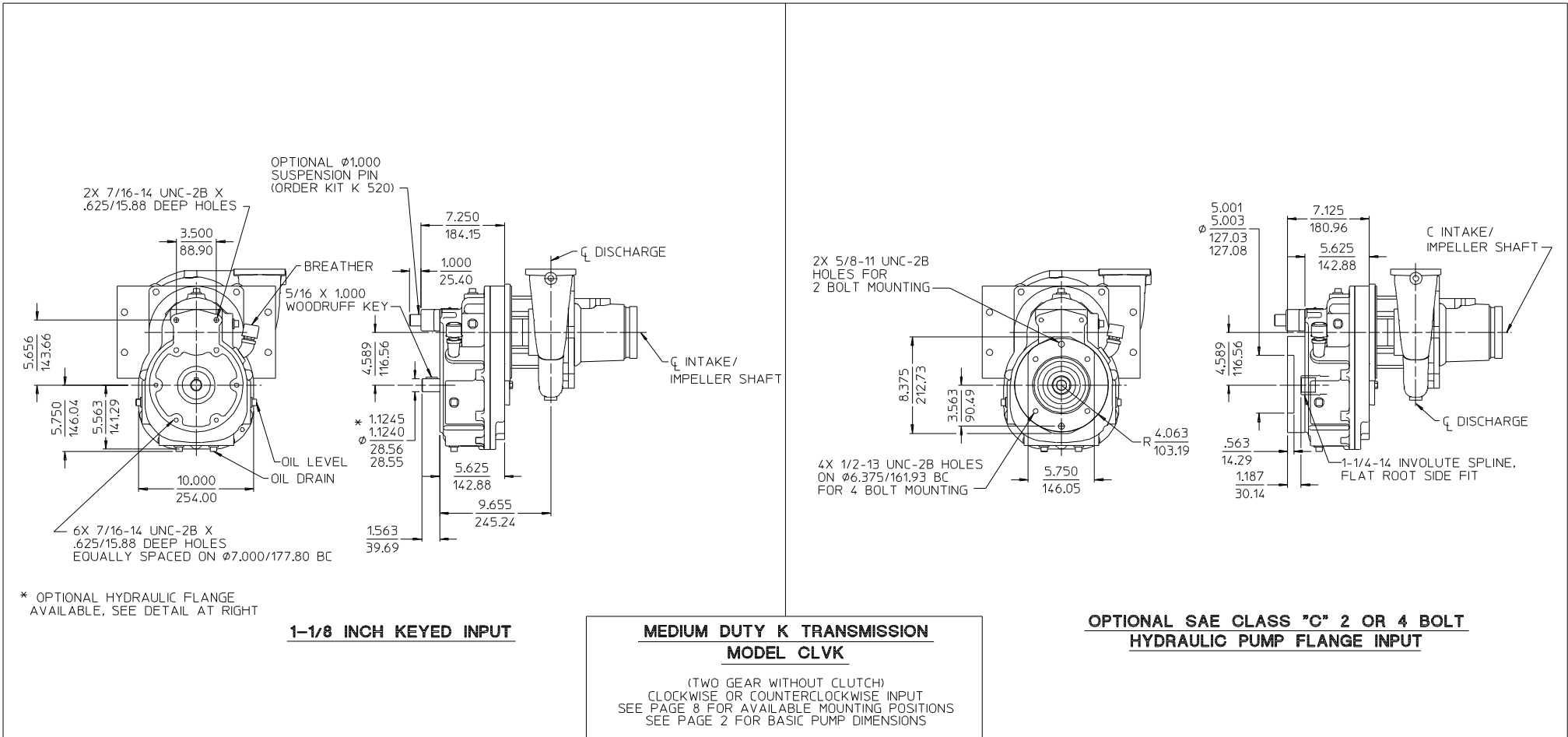


ALL DIMENSIONS SHOWN AS INCH/MILLIMETER
 (INCH / MILLIMETER)

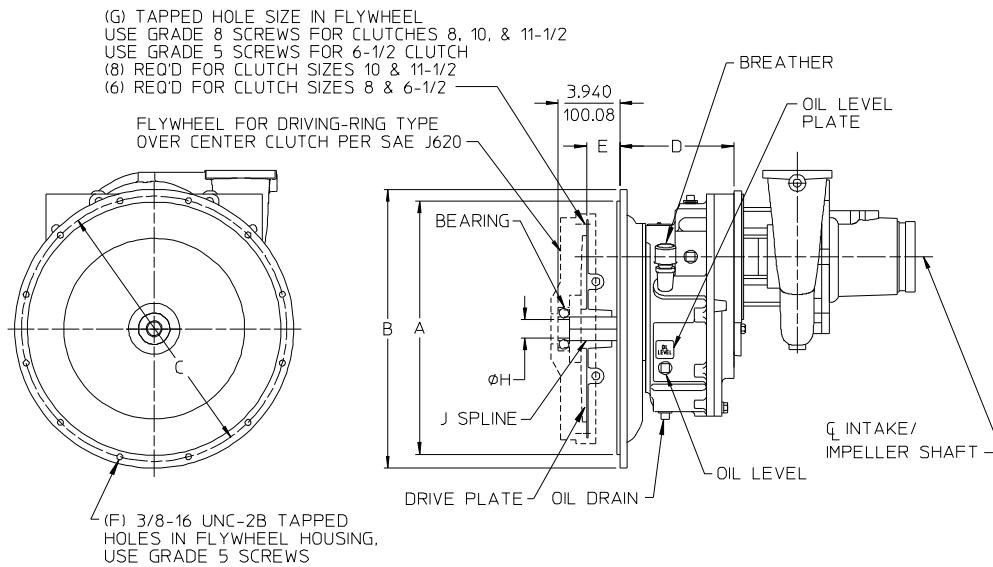
MODEL CLV, 4 INCH VICTAULIC END INTAKE ADAPTER

BASIC PUMP DIMENSIONS
 SEE PAGE 6 FOR OPTIONAL DISCHARGE
 SEE PAGE 3, 4 AND 5 FOR AVAILABLE TRANSMISSIONS
 SEE PAGE 7 FOR AVAILABLE DISCHARGE POSITIONS

CLV SERIES
 DPL82527
 WATEROUS COMPANY
 SOUTH ST. PAUL, MN 55075
 PAGE 2 OF 9



ALL DIMENSIONS SHOWN AS INCH/MILLIMETER
 ($\frac{\text{INCH}}{\text{MILLIMETER}}$)



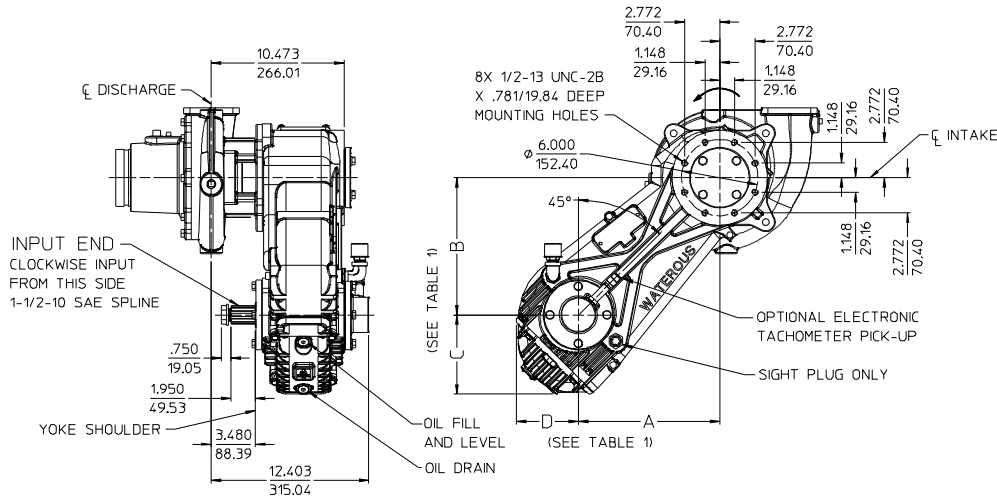
ALL DIMENSIONS SHOWN AS INCH/MILLIMETER

(INCH / MILLIMETER)

SAE BELLHOUSING					D	SAE FLYWHEEL			DRIVE PLATE		DRIVE SHAFT	
SIZE	A	B	C	F		CLUTCH NUMBER	E	G	PART NUMBER	TORQUE RATING	H	J
3	16.125/409.58	17.750/450.85	16.875/428.63	12	7.250/184.15	10	2.12/53.85	3/8-16	V 2272	850 FT-LB	φ 1.1805/1.1800 29.98/29.97	1-1/2-10 SAE
4	14.250/361.95	15.875/403.23	15.000/381.00						V 2461	425 FT-LB		
3	16.125/409.58	17.750/450.85	16.875/428.63						11-1/2	1.56/39.62		
4	14.250/361.95	15.875/403.23	15.000/381.00			8	2.44/61.97		V 2852	N/A		
5	12.375/314.33	14.000/355.60	13.125/333.38	8	6.250/158.75	6-1/2	1.19/30.23	5/16-18	V 2865	N/A	φ .7868/.7858 19.98/19.96	1-15T INVOLUTE

**MEDIUM DUTY T TRANSMISSION
 MODEL CLVT**

(TWO GEAR WITHOUT CLUTCH)
 CLOCKWISE OR COUNTERCLOCKWISE INPUT
 SEE PAGE 8 FOR AVAILABLE MOUNTING POSITIONS
 SEE PAGE 2 FOR BASIC PUMP DIMENSIONS

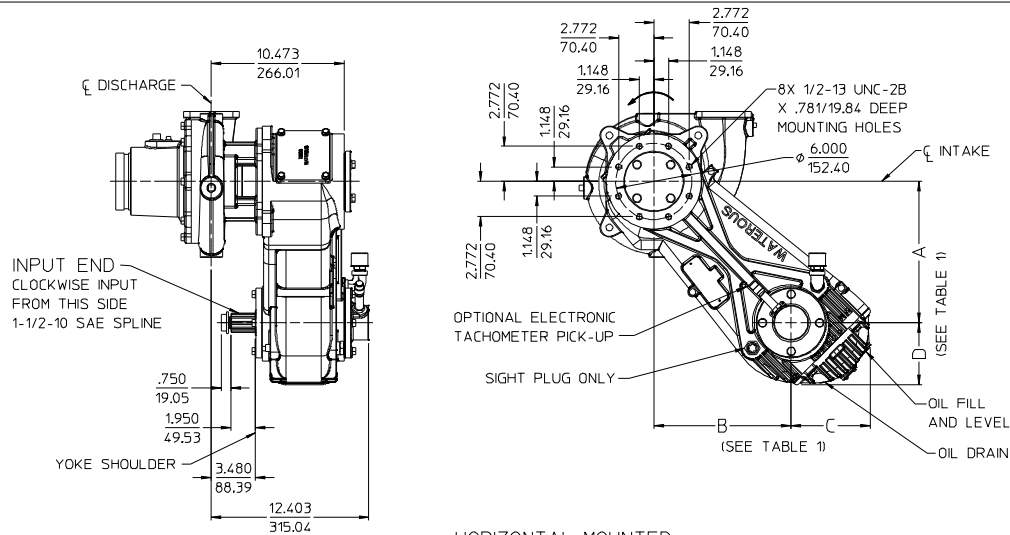


VERTICAL MOUNTED

TABLE 1 - AVAILABLE AS FOLLOWS

DRIVE LINE SIZE	RATIO	DIM A	DIM B	DIM C	DIM D	MODEL
1-1/2 INCH	1.70	11.288/286.71	10.943/277.94	6.111/155.22	4.737/120.32	CLVPA
	1.90	11.269/286.24	10.924/277.47	6.130/155.70	4.755/120.79	
	2.10	11.239/285.46	10.894/276.70	6.160/156.46	4.786/121.56	

ALL DIMENSIONS SHOWN AS INCH/MILLIMETER
 (INCH / MILLIMETER)



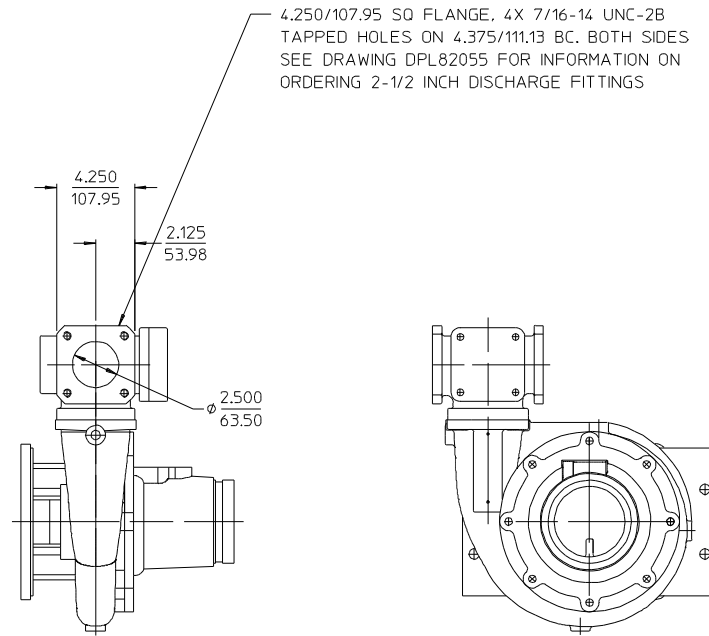
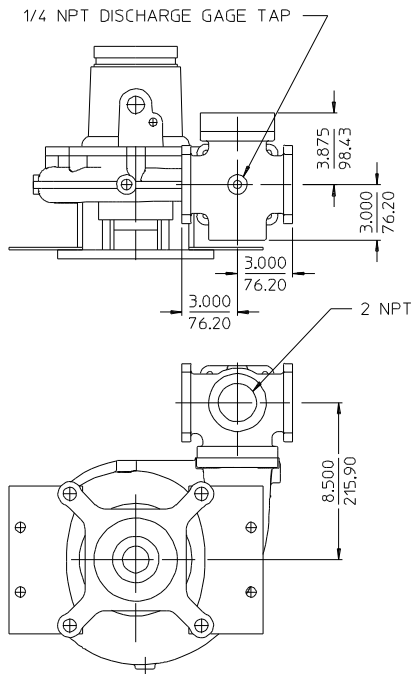
HORIZONTAL MOUNTED

TABLE 1 - AVAILABLE AS FOLLOWS

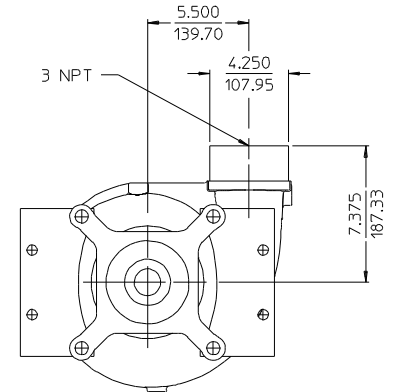
DRIVE LINE SIZE	RATIO	DIM A	DIM B	DIM C	DIM D	MODEL
1-1/2 INCH	1.70	11.288/286.71	10.943/277.94	6.111/155.22	4.737/120.32	CLVPA
	1.90	11.269/286.24	10.924/277.47	6.130/155.70	4.755/120.79	
	2.10	11.239/285.46	10.894/276.70	6.160/156.47	4.786/121.56	

ALL DIMENSIONS SHOWN AS INCH/MILLIMETER
 (INCH / MILLIMETER)

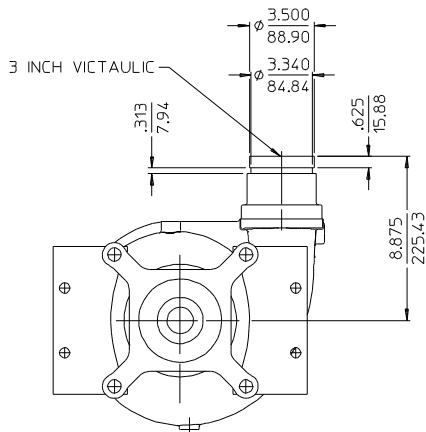
**PA SERIES TRANSMISSION
 MODEL CLVPA**



OPTIONAL PUMP DISCHARGE HEAD



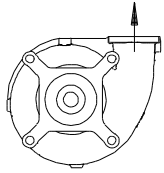
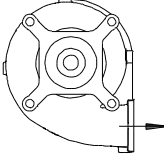
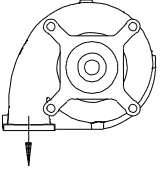
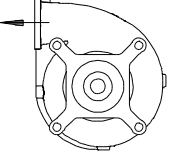
**OPTIONAL 3 INCH NPT
TAPPED FLANGE
ON DISCHARGE**

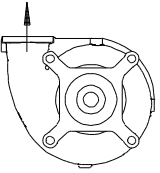
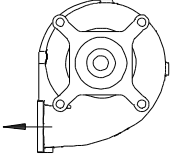
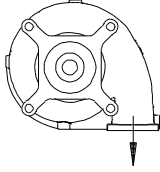
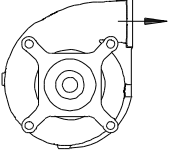


**OPTIONAL 3 INCH
VICTAULIC FLANGE
ON DISCHARGE**

ALL DIMENSIONS SHOWN
AS INCH/MILLIMETER

(INCH
MILLIMETER)

DISCHARGE POSITION		AVAILABLE WITH TRANSMISSION SERIES			
		K	PA		T
			VERTICAL	LEFT SIDE	
FIGURE 1 (UP)		YES	YES	YES	YES
FIGURE 2 (RIGHT)		YES	YES	NO	YES
FIGURE 3 (DOWN)		YES	YES	NO	YES
FIGURE 4 (LEFT)		YES	YES	NO	YES
CLOCKWISE (CW) INPUT ROTATION					

DISCHARGE POSITION		AVAILABLE WITH TRANSMISSION SERIES	
		K	T
		FIGURE 5 (UP)	
FIGURE 6 (LEFT)		YES	YES
FIGURE 7 (DOWN)		YES	YES
FIGURE 8 (RIGHT)		YES	YES
COUNTERCLOCKWISE (CCW) INPUT ROTATION			

AVAILABLE PUMP DISCHARGE POSITIONS

(AS VIEWED FROM TRANSMISSION END OF PUMP)

TRANS SERIES	AVAILABLE MOUNTING POSITIONS			
	V-VERTICAL	L-LEFT SIDE	R-RIGHT SIDE	U-INVERTED
K				
T	 (BELLHOUSING ADAPTER NOT SHOWN)	NOT AVAILABLE	NOT AVAILABLE	 (BELLHOUSING ADAPTER NOT SHOWN)
PA			NOT AVAILABLE	NOT AVAILABLE

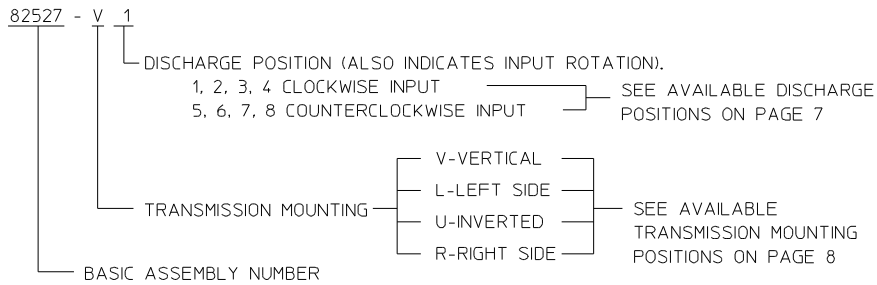
AVAILABLE TRANSMISSION MOUNTING POSITIONS

(AS VIEWED FROM TRANSMISSION INPUT SHAFT)

ORDERING INFORMATION:

WHEN ORDERING SUPPLY THE FOLLOWING

1. COMPLETE PUMP / TRANSMISSION MODEL:
CLVK OR CLVT
2. BASIC ASSEMBLY NUMBER 82527.
3. SUFFIX LETTERS WHICH INDICATE TRANSMISSION MOUNTING POSITION AND DISCHARGE POSITION.

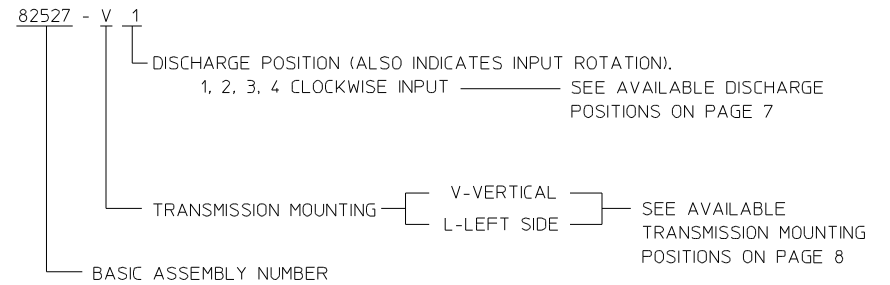


CLVK OR CLVT PUMP MODELS

ORDERING INFORMATION:

WHEN ORDERING SUPPLY THE FOLLOWING

1. COMPLETE PUMP / TRANSMISSION MODEL:
CLVPA
2. BASIC ASSEMBLY NUMBER 82527.
3. SUFFIX LETTERS WHICH INDICATE TRANSMISSION MOUNTING POSITION AND DISCHARGE POSITION.



CLVPA PUMP MODELS

ORDERING INFORMATION