



Document Number	Issue Date	Rev. Date
DPL 82571	06/04/01	1/7/22

S100 Series Fire Pump Dimensional Drawings

With Victaulic® Intake Fitting

Basic Pump Dimensions (Without Transmission)		
Feature		See Page
Body and Intake Dimensions		3
Optional Discharge Fittings	Blank (5 in. ANSI Flange) Dimensions	4
	4 in. ANSI Flanged Adapter Dimensions	5
	Manifold Dimensions	6

Pump and Transmission - See Page 2

Note: Pump must be installed in accordance with Waterous Installation Instructions.

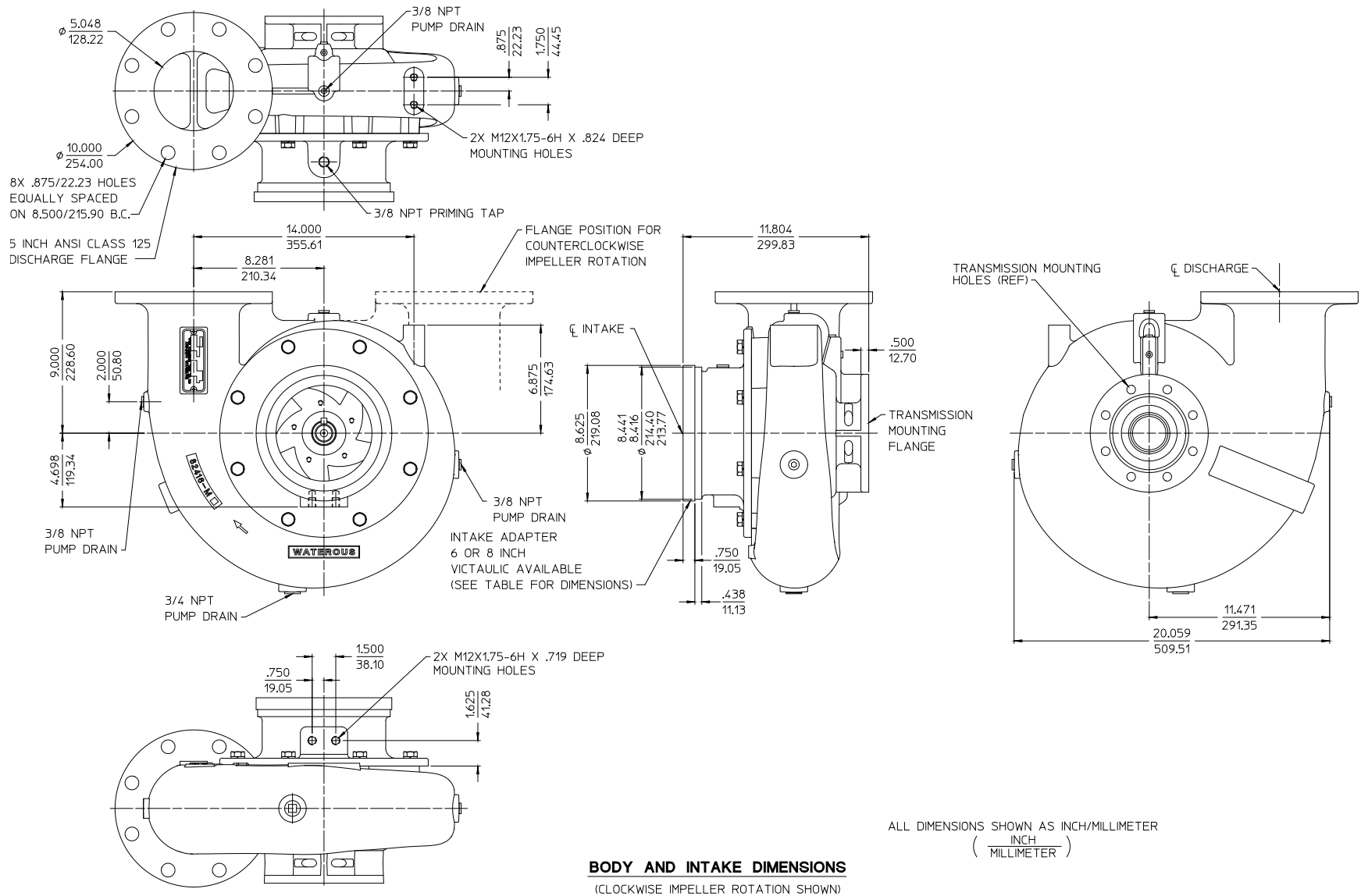
S100 Series Fire Pump Dimensional Drawings

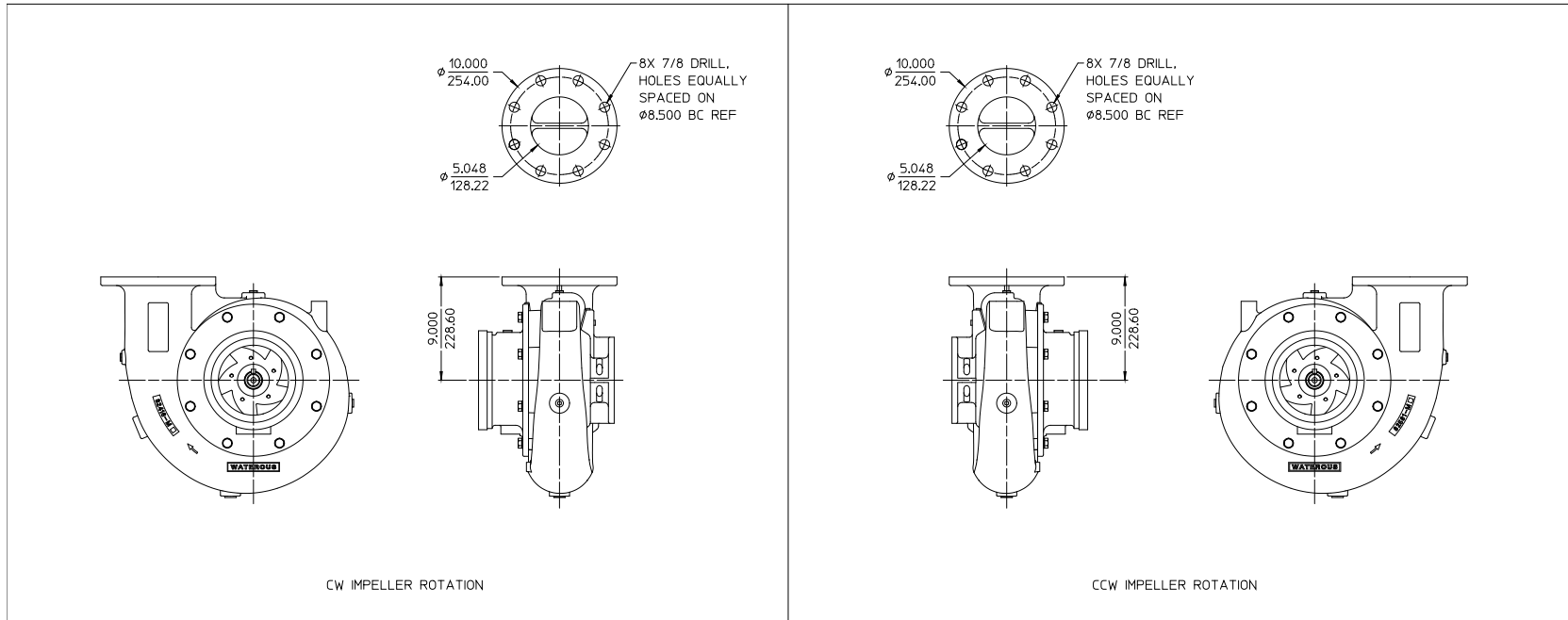
With Victaulic® Intake Fitting

Pump and Transmission											
Drive			Impeller Rotation (2)	Pump Model	See Page						
Type	Driveline Type	Input Rotation (1)			Pump Body Mounting on Transmission	Hydraulic Pump Mounting Provision		Available Pump Discharge Positions and Ordering Info	Optional Discharge Fitting Mounting on Pump		4 in. ANSI Flanged Adapter
						No	Yes		Perpendicular to Intake	Parallel to Intake	
C20 Series Split Shaft Chain Drive Transmission	Input and Output Shaft	CW	Front (Input Shaft Side)	CW	S100C20C S100C20D S100C20E S100C20F	7	8	9	29	35	5
			Rear (Output Shaft Side)	CCW	S100C20C S100C20D S100C20E S100C20F	10	11	12	30	36	
	Input Shaft Only	CW	Front (Input Shaft Side)	CW	S100C20C S100C20D S100C20E S100C20F	13	14	15	29	35	
			Rear (Opposite Input Shaft Side)	CCW	S100C20C S100C20D S100C20E S100C20F	16	17	18	30	36	
Direct Drive Connection from P.T.O.	1410 Series End Yoke	CW	Opposite Input Shaft	CCW	S100D	19	Not Available	20	31	37	
		CCW	Opposite Input Shaft	CW	S100D	21	Not Available	22	32	38	
PA Series PTO Driven, Chain Drive Transmission	Input Shaft Only	CW	Input Shaft Side	CW	S100PA	23	Not Available	24	33	39	
QC Series PTO Driven, Chain Drive Transmission (Direct Engine Mount)	Input Shaft Only	CW	Rear (Output Shaft Side) Vertical Transmission Case	CW	S100QC	25	Not Available	26	34	40	
			Rear (Output Shaft Side) Inverted Transmission Case	CW		27	Not Available	28	See Note 3		

Notes:

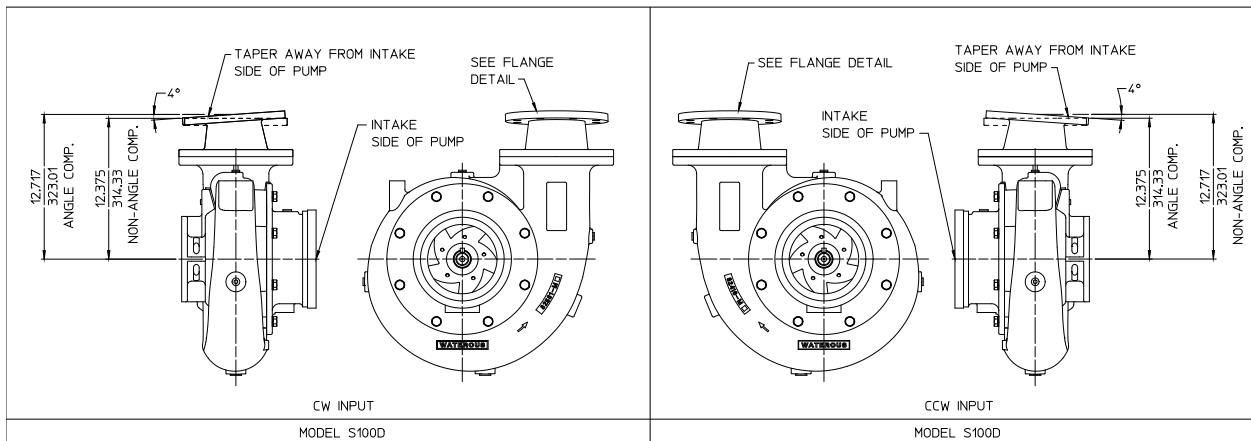
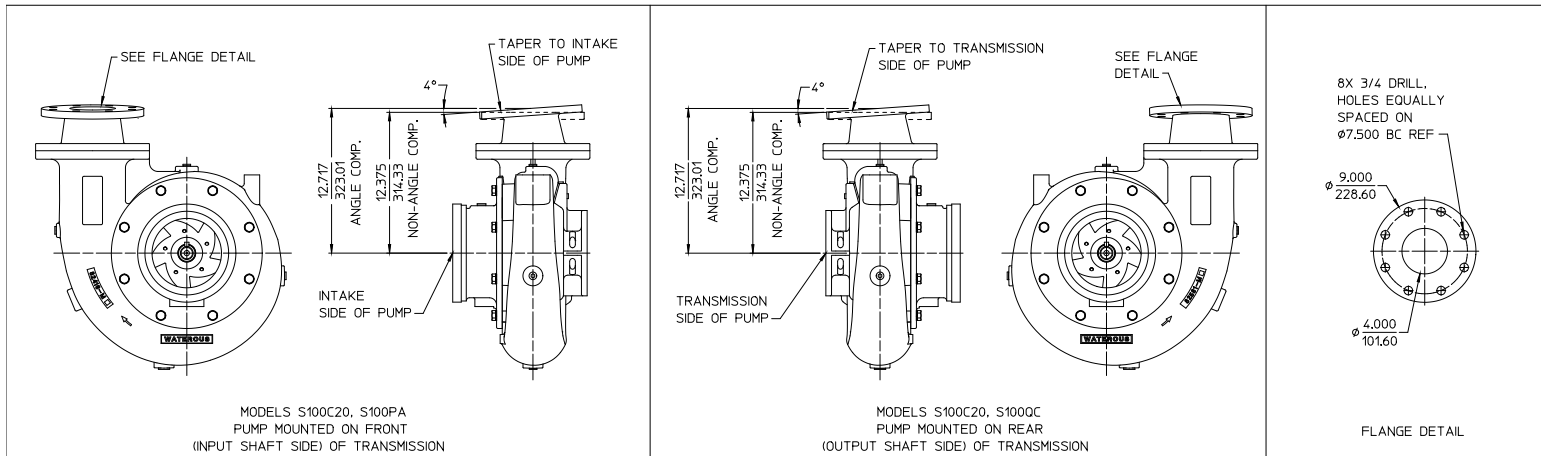
1. Input rotation is viewed looking directly at the transmission input shaft or direct drive end yoke.
2. Impeller rotation is viewed looking directly at the intake fitting (impeller eye).
3. Discharge manifold only available with direct engine mounted QC when case is vertical. Inverted case interferes with manifold.





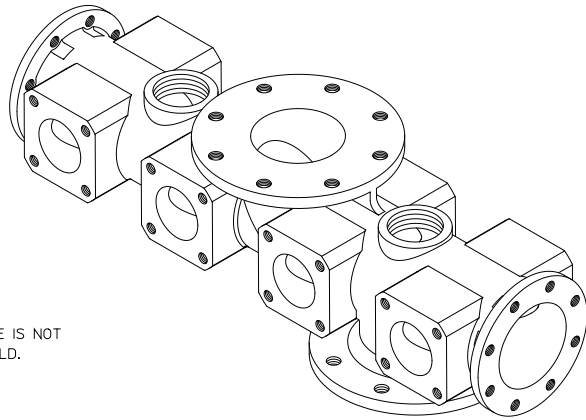
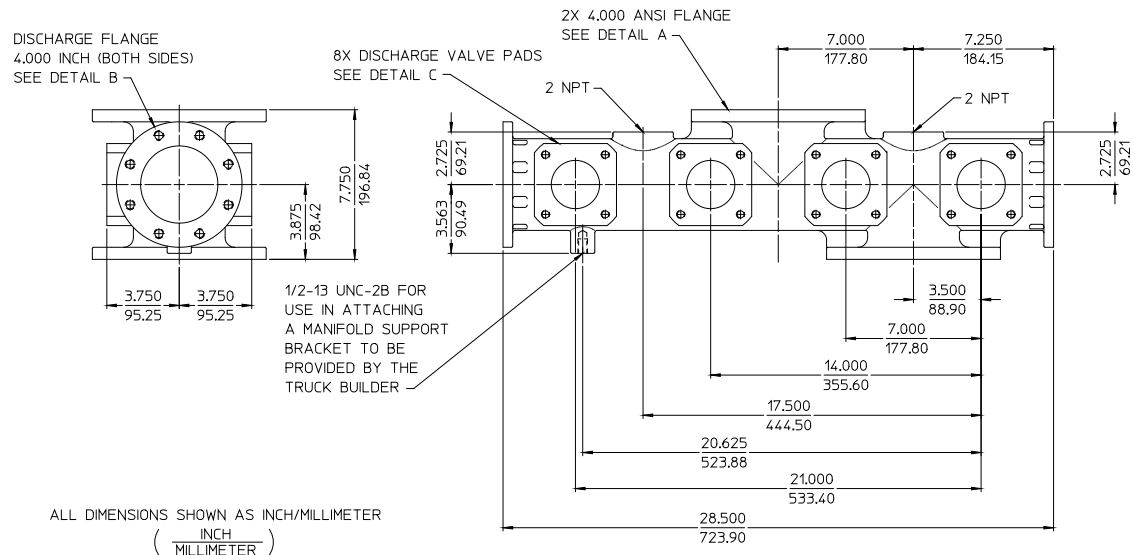
ALL DIMENSIONS SHOWN AS INCH/MILLIMETER
 (INCH
 MILLIMETER)

OPTIONAL BLANK DISCHARGE (5 IN. ANSI FLANGE)



OPTIONAL 4 IN. ANSI DISCHARGE ADAPTER

AVAILABLE WITH OR WITHOUT 4° ANGLE COMPENSATION



NOTE: PUMP MOUNTED RELIEF VALVE IS NOT AVAILABLE WITH THIS MANIFOLD.

OPTIONAL DISCHARGE MANIFOLD

SEE PAGES 29 THROUGH 40 FOR MANIFOLD MOUNTING ON PUMP

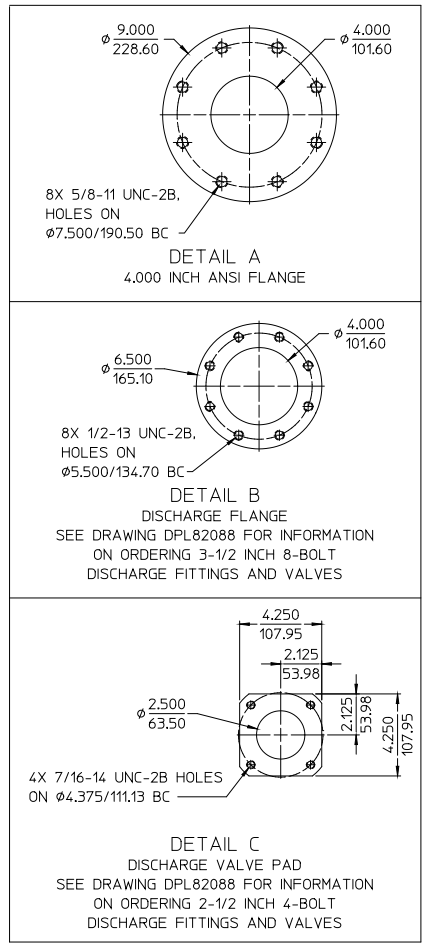
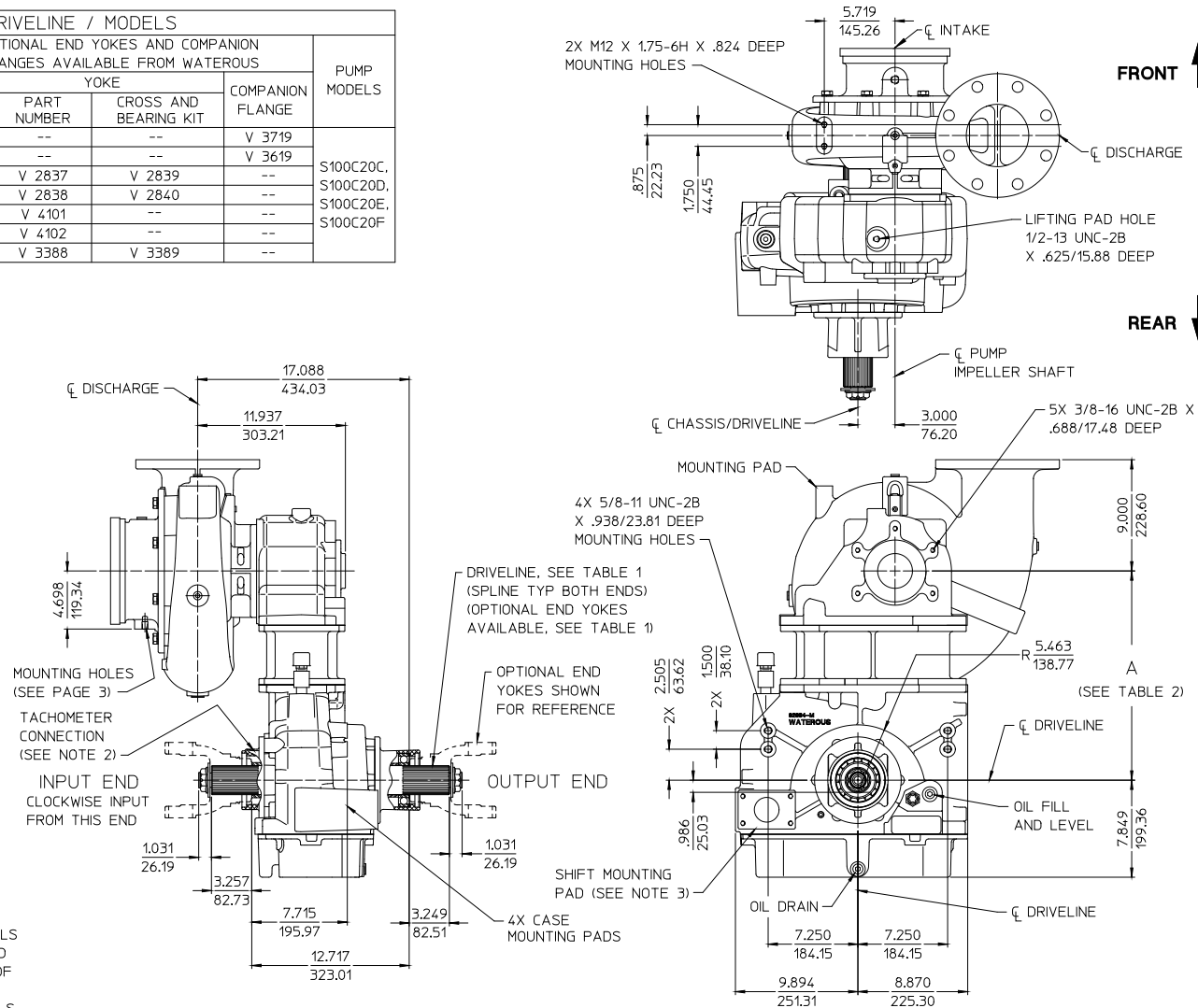


TABLE 1 - AVAILABLE DRIVELINE / MODELS							
DRIVELINE			OPTIONAL END YOKE AND COMPANION FLANGES AVAILABLE FROM WATEROUS			PUMP MODELS	
TYPE	SIZE	SPLINE	SPICER SERIES	YOKE			
EXTRA HEAVY DUTY	2.35 INCH	2.350-46T INVOLUTE	1480/1610	--	--	V 3719	S100C20C, S100C20D, S100C20E, S100C20F
			1650/1710	--	--	V 3619	
			1710 BP	V 2837	V 2839	--	
			1810 BP	V 2838	V 2840	--	
			1710 HR	V 4101	--	--	
			1810 HR	V 4102	--	--	
			SPL140	V 3388	V 3389	--	

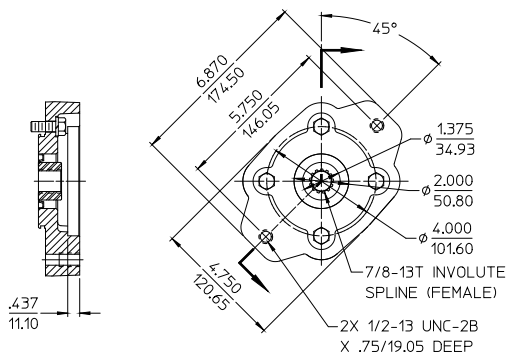
TABLE 2 - AVAILABLE RATIOS				
DRIVE TO DRIVEN RATIO	DIMENSION A			
	C20C	C20D	C20E	C20F
1.27	14.312 363.52	14.825 376.56	16.861 428.27	18.892 479.86
1.41	13.899 353.03	14.931 379.25	16.971 431.06	19.002 482.65
1.48	13.878 352.50	14.907 378.64	16.951 430.56	18.981 482.12
1.58	13.756 349.40	14.788 375.62	16.830 427.48	18.861 479.07
1.69	13.839 351.51	14.876 377.85	16.923 429.84	18.961 481.61
1.79	14.045 356.74	15.072 382.83	17.127 435.03	19.168 486.87
1.88	13.690 347.73	14.717 373.81	16.773 426.03	18.809 477.75
1.97	13.870 352.30	14.912 378.76	16.970 431.04	19.012 482.90
2.03	13.984 355.19	15.028 381.71	17.086 433.98	19.132 485.95
2.27	13.811 350.80	14.856 377.34	16.920 429.77	18.971 481.86
2.46	14.042 356.67	15.087 383.21	17.154 435.71	19.205 487.81
2.68	13.746 349.15	14.793 375.74	16.865 428.37	18.923 480.64

- NOTES:
 1. SEE TABLE 2 FOR AVAILABLE RATIOS.
 2. SEE DRAWING DPL82649 FOR ADDITIONAL DETAILS ON S100C20 PUMPS WITH ECLIPSE ES CAFS AND DRAWING DPL82994 FOR ADDITIONAL DETAILS OF C20 SERIES TRANSMISSIONS.
 3. SEE DRAWING DPL82086 FOR SHIFT UNIT DETAILS.

ALL DIMENSIONS SHOWN AS INCH/MILLIMETER
 (INCH / MILLIMETER)



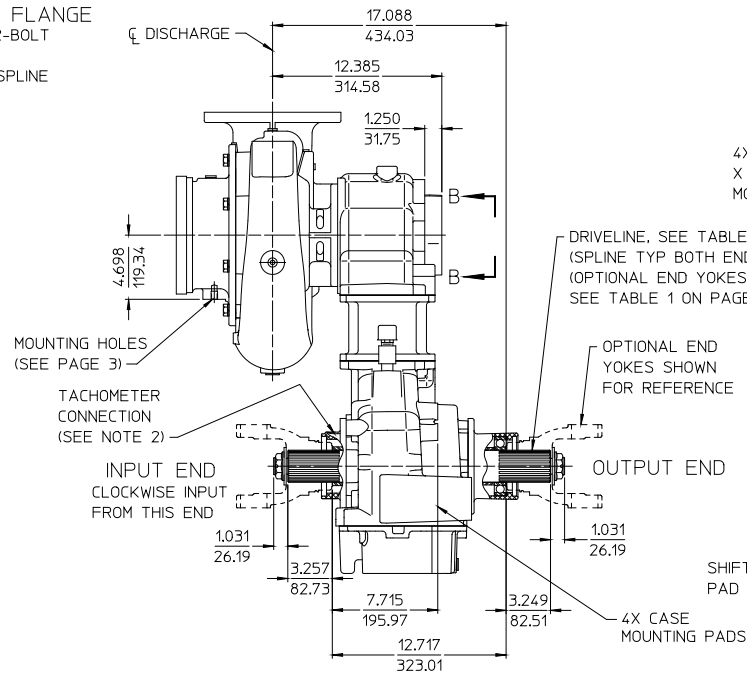
MODEL S100C20
 INPUT AND OUTPUT SHAFT
 PUMP MOUNTED ON FRONT (INPUT SHAFT SIDE) OF TRANSMISSION
 CLOCKWISE INPUT, MODEL S100C20E, 2.27 RATIO SHOWN, BLANK DISCHARGE, UP DISCHARGE POSITION SHOWN



VIEW B-B

HYDRAULIC PUMP ADAPTER FLANGE
 USED FOR SAE J744 CLASS B 2-BOLT
 HYDRAULIC PUMP WITH MALE
 7/8-13T 16/32 PITCH INVOLUTE SPLINE

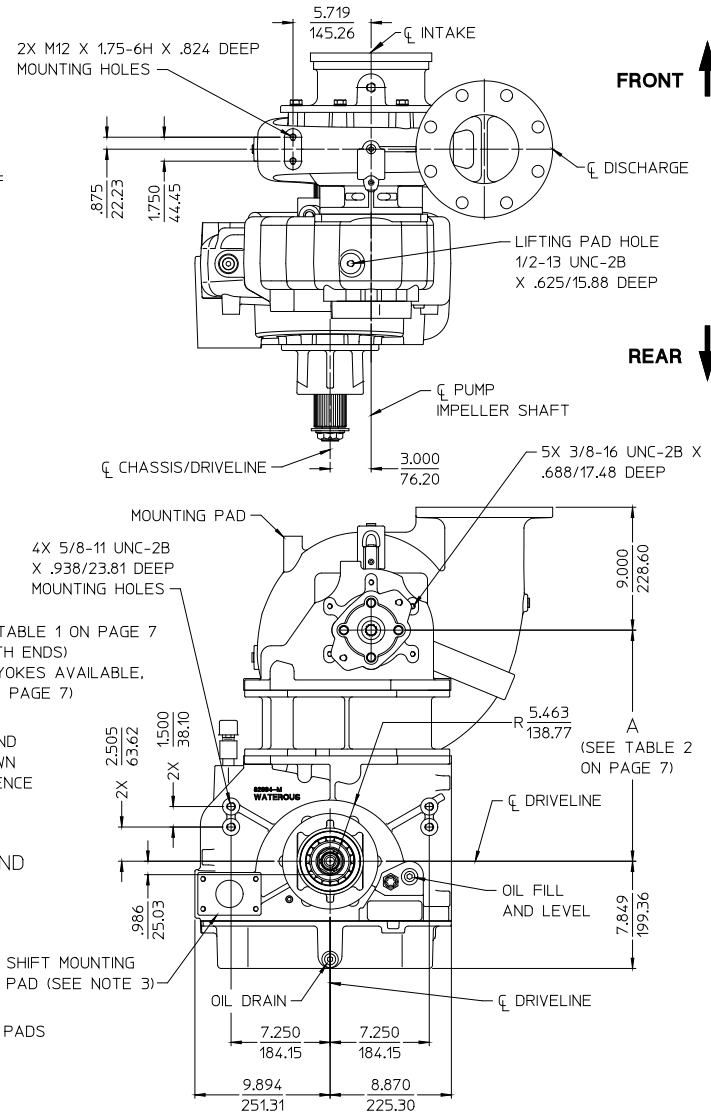
- NOTES:
 1. SEE TABLE 2 ON PAGE 7 FOR AVAILABLE RATIOS.
 2. SEE DRAWING DPL82994 FOR ADDITIONAL DETAILS OF
 C20 SERIES TRANSMISSIONS.
 3. SEE DRAWING DPL82086 FOR SHIFT UNIT DETAILS.



MODEL S100C20

INPUT AND OUTPUT SHAFT

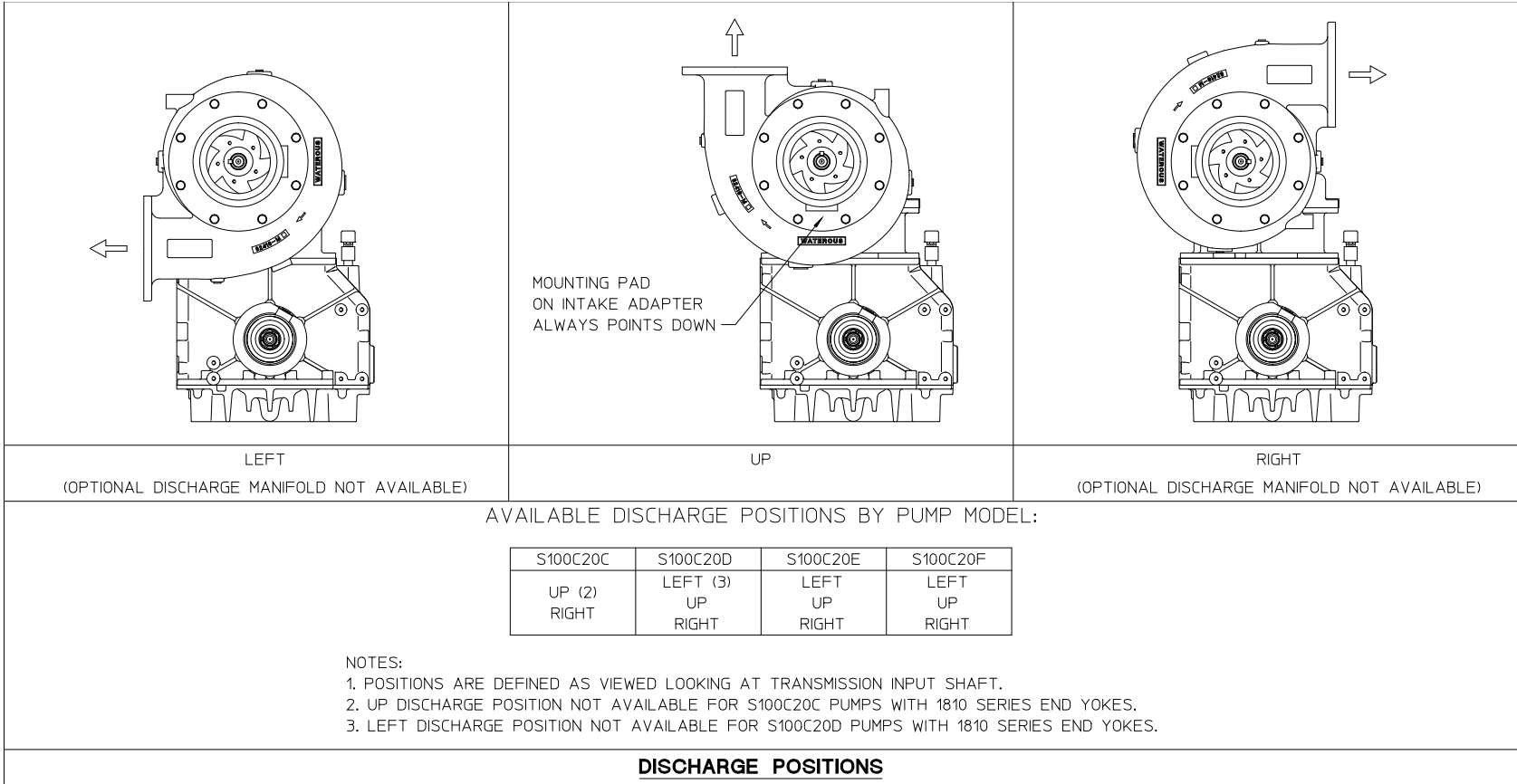
PUMP MOUNTED ON FRONT (INPUT SHAFT SIDE) OF TRANSMISSION
 HYDRAULIC PUMP MOUNTING PROVISION ON REAR (OUTPUT SHAFT SIDE) OF TRANSMISSION
 CLOCKWISE INPUT, MODEL S100C20E, 2.27 RATIO SHOWN, BLANK DISCHARGE, UP DISCHARGE POSITION SHOWN



FRONT ↑

REAR ↓

ALL DIMENSIONS SHOWN AS INCH/MILLIMETER
 (INCH / MILLIMETER)



ORDERING INFORMATION

WHEN ORDERING FURNISH THE FOLLOWING INFORMATION:

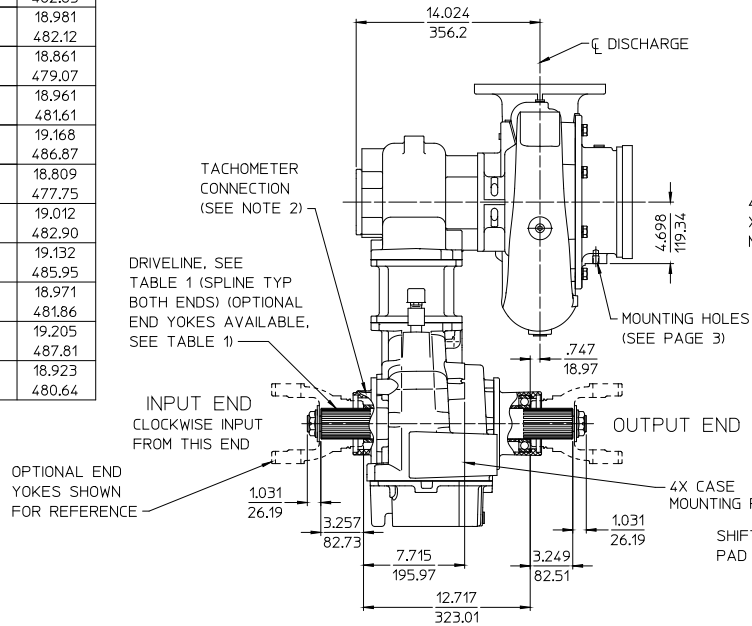
- 1. PUMP MODEL: (SEE PAGE 7).
- 2. DRIVE TO DRIVEN RATIO: (SEE PAGE 7).
- 3. PUMP MOUNTING: FRONT OF TRANSMISSION.
- 4. DISCHARGE POSITION: LEFT, UP OR RIGHT.
- 5. HYDRAULIC ADAPTER (SEE PAGE 8).
- 6. OPTIONAL DISCHARGE FITTING: (SEE PAGES 4 THROUGH 6).

PUMP MOUNTED ON FRONT (INPUT SHAFT SIDE) OF TRANSMISSION
 MODEL S100C20 ORDERING INFORMATION

TABLE 1 - AVAILABLE DRIVELINE / MODELS						
DRIVELINE			OPTIONAL END YOKES AND COMPANION FLANGES AVAILABLE FROM WATEROUS			PUMP MODELS
TYPE	SIZE	SPLINE	SPICER SERIES	YOKE PART NUMBER	COMPANION FLANGE CROSS AND BEARING KIT	
EXTRA HEAVY DUTY	2.35 INCH	2.350-46T INVOLUTE	1480/1610	--	--	V 3719
			1650/1710	--	--	V 3619
			1710	V 2837	V 2839	--
			1810	V 2838	V 2840	--
			SPL140	V 3388	V 3389	--

DRIVE TO DRIVEN RATIO	DIMENSION A			
	C20C	C20D	C20E	C20F
1.27	14.312 363.52	14.825 376.56	16.861 428.27	18.892 479.86
1.41	13.899 353.03	14.931 379.25	16.971 431.06	19.002 482.65
1.48	13.878 352.50	14.907 378.64	16.951 430.56	18.981 482.12
1.58	13.756 349.40	14.788 375.62	16.830 427.48	18.861 479.07
1.69	13.839 351.51	14.876 377.85	16.923 429.84	18.961 481.61
1.79	14.045 356.74	15.072 382.83	17.127 435.03	19.168 486.87
1.88	13.690 347.73	14.717 373.81	16.773 426.03	18.809 477.75
1.97	13.870 352.30	14.912 378.76	16.970 431.04	19.012 482.90
2.03	13.984 355.19	15.028 381.71	17.086 433.98	19.132 485.95
2.27	13.811 350.80	14.856 377.34	16.920 429.77	18.971 481.86
2.46	14.042 356.67	15.087 383.21	17.154 435.71	19.205 487.81
2.68	13.746 349.15	14.793 375.74	16.865 428.37	18.923 480.64

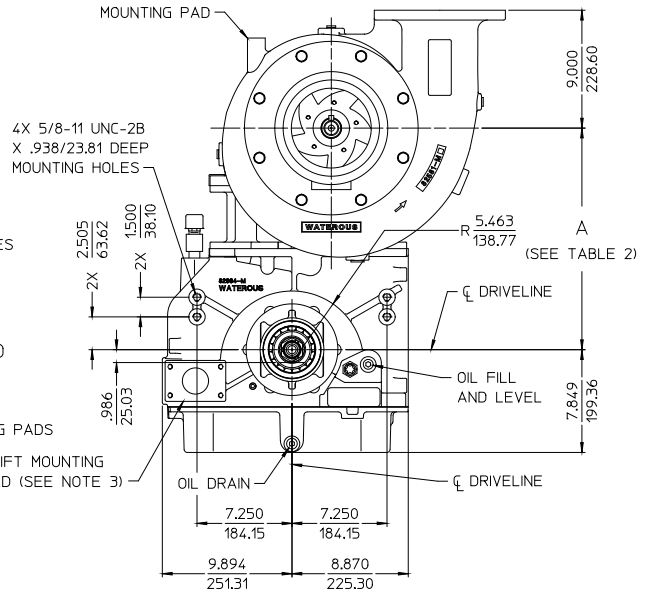
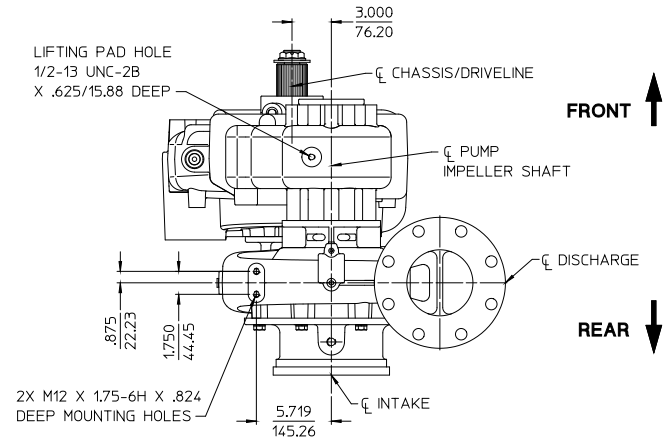
- NOTES:
 1. SEE TABLE 2 FOR AVAILABLE RATIOS.
 2. SEE DRAWING DPL82994 FOR ADDITIONAL DETAILS OF C20 SERIES TRANSMISSIONS.
 3. SEE DRAWING DPL82086 FOR SHIFT UNIT DETAILS.



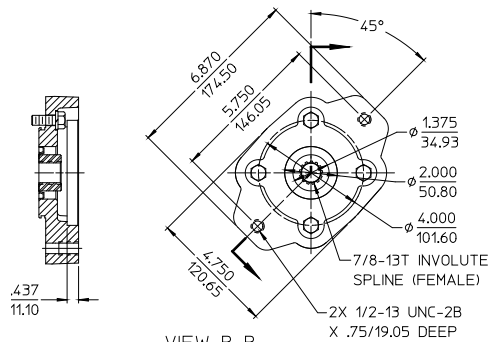
MODEL S100C20

INPUT AND OUTPUT SHAFT

PUMP MOUNTED ON REAR (OUTPUT SHAFT SIDE) OF TRANSMISSION
 CLOCKWISE INPUT, MODEL S100C20E, 2.27 RATIO SHOWN
 BLANK DISCHARGE, UP DISCHARGE POSITION SHOWN

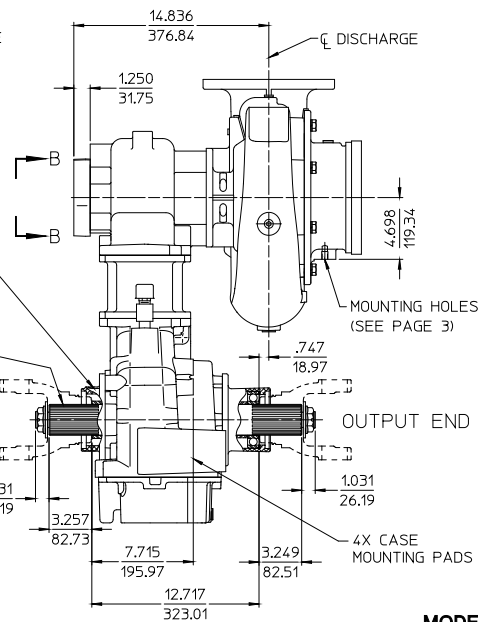
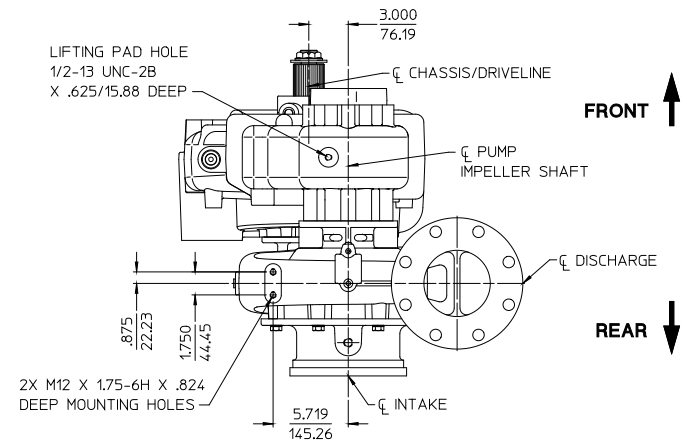


ALL DIMENSIONS SHOWN AS INCH/MILLIMETER
 (INCH)
 (MILLIMETER)



VIEW B-B
(ROTATED CW 90°)
HYDRAULIC PUMP ADAPTER FLANGE
USED FOR SAE J744 CLASS B 2-BOLT
HYDRAULIC PUMP WITH MALE
7/8-13T 16/32 PITCH INVOLUTE SPLINE

- NOTES:
1. SEE TABLE 2 ON PAGE 10 FOR AVAILABLE RATIOS.
2. SEE DRAWING DPL82994 FOR ADDITIONAL DETAILS OF C20 SERIES TRANSMISSIONS.
3. SEE DRAWING DPL82086 FOR SHIFT UNIT DETAILS.



DRIVELINE, SEE TABLE 1 ON PAGE 10 (SPLINE TYP BOTH ENDS)
(OPTIONAL END YOKES AVAILABLE, SEE TABLE 1 ON PAGE 10)

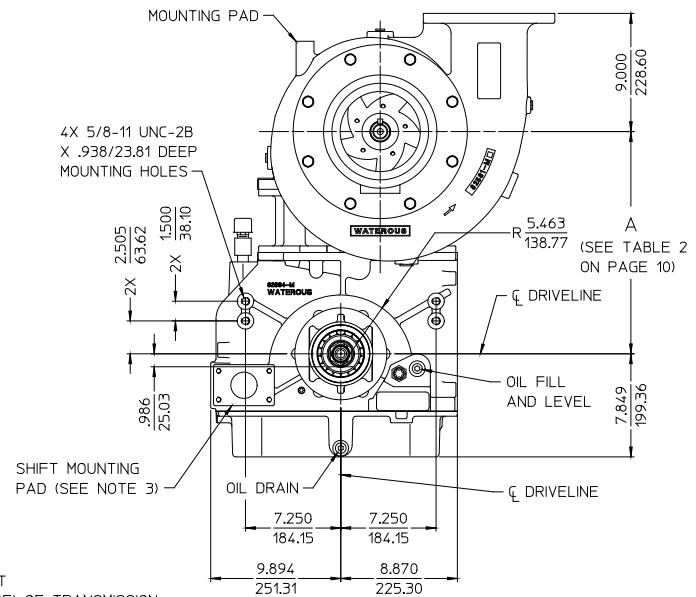
OPTIONAL END YOKES SHOWN FOR REFERENCE

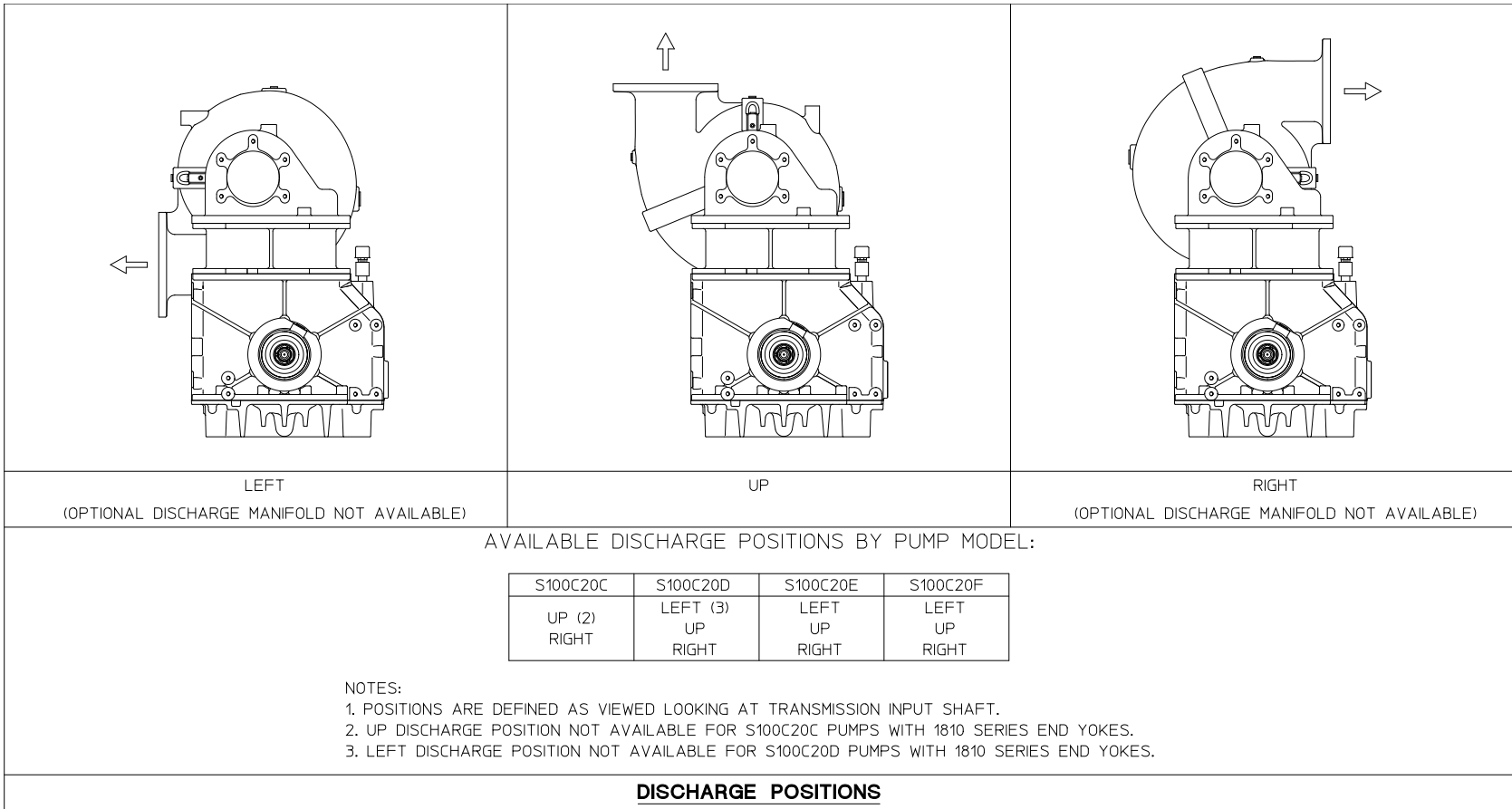
MODEL S100C20

INPUT AND OUTPUT SHAFT

PUMP MOUNTED ON REAR (OUTPUT SHAFT SIDE) OF TRANSMISSION
HYDRAULIC PUMP MOUNTING PROVISION ON FRONT (INPUT SHAFT SIDE) OF TRANSMISSION
CLOCKWISE INPUT, MODEL S100C20E, 2.27 RATIO SHOWN
BLANK DISCHARGE, UP DISCHARGE POSITION SHOWN

ALL DIMENSIONS SHOWN AS INCH/MILLIMETER
(INCH / MILLIMETER)





ORDERING INFORMATION

WHEN ORDERING FURNISH THE FOLLOWING INFORMATION:

- 1. PUMP MODEL: (SEE PAGE 10).
- 2. DRIVE TO DRIVEN RATIO: (SEE PAGE 10).
- 3. PUMP MOUNTING: REAR OF TRANSMISSION.
- 4. DISCHARGE POSITION: LEFT, UP OR RIGHT.
- 5. HYDRAULIC ADAPTER (SEE PAGE 11).
- 6. OPTIONAL DISCHARGE FITTING: (SEE PAGES 4 THROUGH 6).

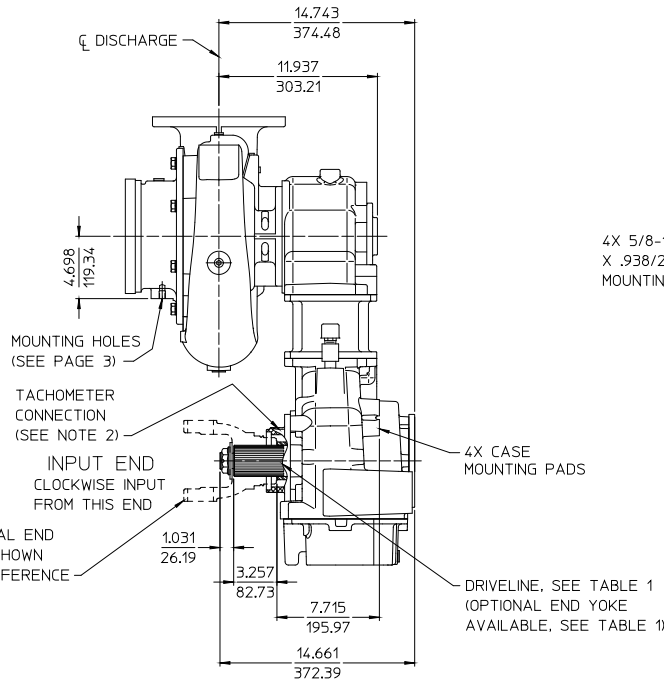
PUMP MOUNTED ON REAR (OUTPUT SHAFT SIDE) OF TRANSMISSION
 MODEL S100C20 ORDERING INFORMATION

TABLE 1 - AVAILABLE DRIVELINE / MODELS							
DRIVELINE			OPTIONAL END YOKE AND COMPANION FLANGES AVAILABLE FROM WATEROUS			PUMP MODELS	
TYPE	SIZE	SPLINE	YOKE		COMPANION FLANGE		
			SPLICER SERIES	PART NUMBER	CROSS AND BEARING KIT		
EXTRA HEAVY DUTY	2.35 INCH	2.350-46T INVOLUTE	1480/1610	--	--	V 3719	S100C20C, S100C20D, S100C20E, S100C20F
			1650/1710	--	--	V 3619	
			1710	V 2837	V 2839	--	
			1810	V 2838	V 2840	--	
			SPL140	V 3388	V 3389	--	

TABLE 2 - AVAILABLE RATIOS					
DRIVE TO DRIVEN RATIO	DIMENSION A				
	C20C	C20D	C20E	C20F	
1.27	14.312	14.825	16.861	18.892	
	363.52	376.56	428.27	479.86	
1.41	13.899	14.931	16.971	19.002	
	353.03	379.25	431.06	482.65	
1.48	13.878	14.907	16.951	18.981	
	352.50	378.64	430.56	482.12	
1.58	13.756	14.788	16.830	18.861	
	349.40	375.62	427.48	479.07	
1.69	13.839	14.876	16.923	18.961	
	351.51	377.85	429.84	481.61	
1.79	14.045	15.072	17.127	19.168	
	356.74	382.83	435.03	486.87	
1.88	13.690	14.717	16.773	18.809	
	347.73	373.81	426.03	477.75	
1.97	13.870	14.912	16.970	19.012	
	352.30	378.76	431.04	482.90	
2.03	13.984	15.028	17.086	19.132	
	355.19	381.71	433.98	485.95	
2.27	13.811	14.856	16.920	18.971	
	350.80	377.34	429.77	481.86	
2.46	14.042	15.087	17.154	19.205	
	356.67	383.21	435.71	487.81	
2.68	13.746	14.793	16.865	18.923	
	349.15	375.74	428.37	480.64	

- NOTES:
 1. SEE TABLE 2 FOR AVAILABLE RATIOS.
 2. SEE DRAWING DPL82649 FOR ADDITIONAL DETAILS ON S100C20 PUMPS WITH ECLIPSE ES CAFS AND DRAWING DPL82994 FOR ADDITIONAL DETAILS OF C20 SERIES TRANSMISSIONS.

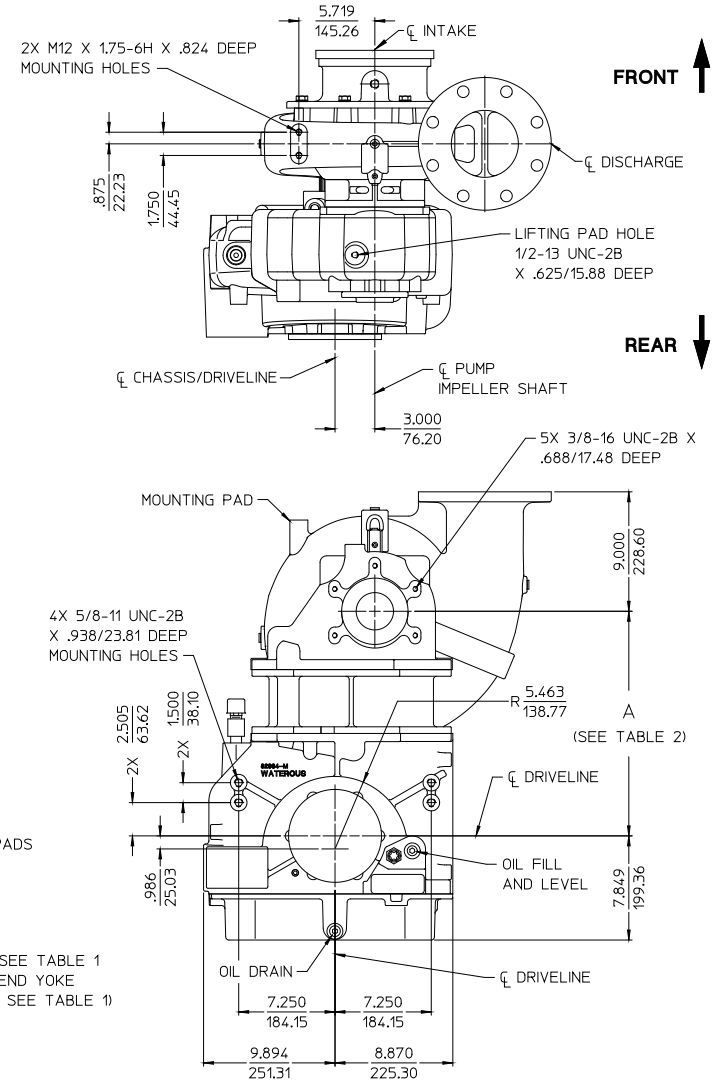
ALL DIMENSIONS SHOWN AS INCH/MILLIMETER
 (INCH / MILLIMETER)

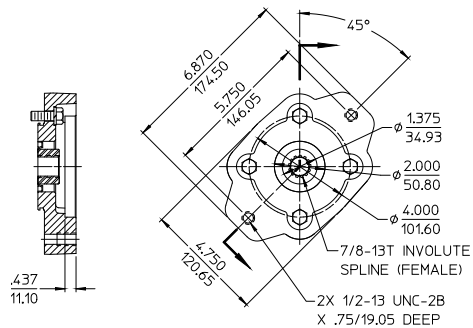


MODEL S100C20

INPUT SHAFT ONLY

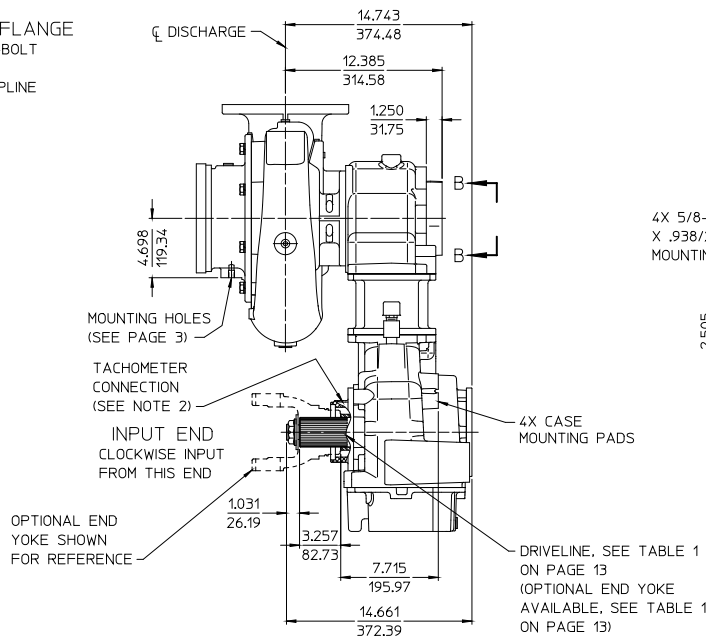
PUMP MOUNTED ON FRONT (INPUT SHAFT SIDE) OF TRANSMISSION
 CLOCKWISE INPUT. MODEL S100C20E, 2.27 RATIO SHOWN. BLANK DISCHARGE, UP DISCHARGE POSITION SHOWN





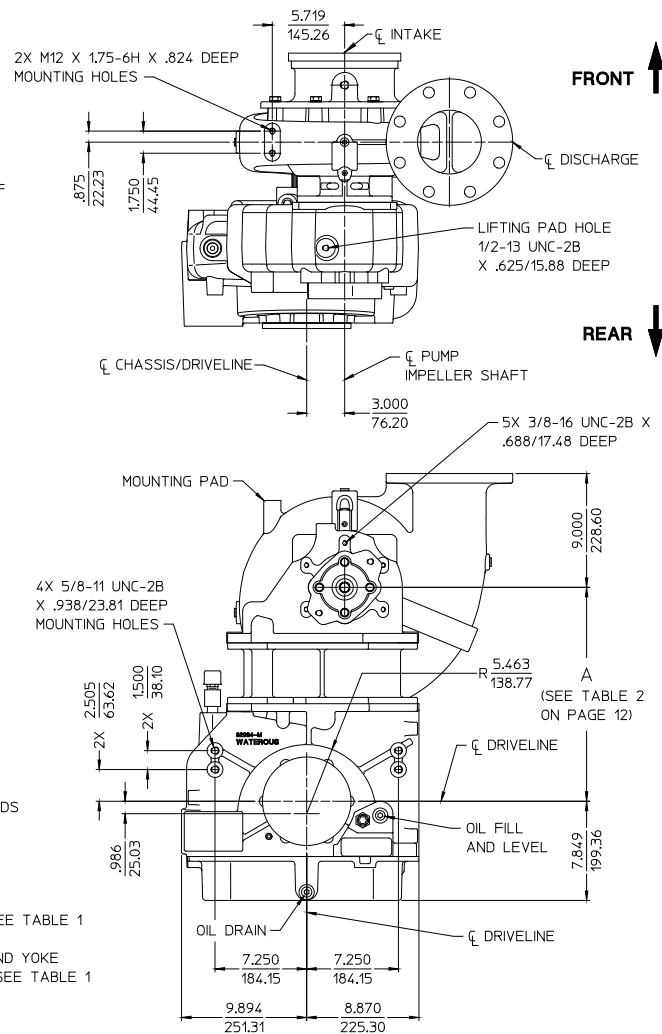
VIEW B-B
 HYDRAULIC PUMP ADAPTER FLANGE
 USED FOR SAE J744 CLASS B 2-BOLT
 HYDRAULIC PUMP WITH MALE
 7/8-13T 16/32 PITCH INVOLUTE SPLINE

NOTES:
 1. SEE TABLE 2 ON PAGE 13 FOR AVAILABLE RATIOS.
 2. SEE DRAWING DPL82994 FOR ADDITIONAL DETAILS OF
 C20 SERIES TRANSMISSIONS.

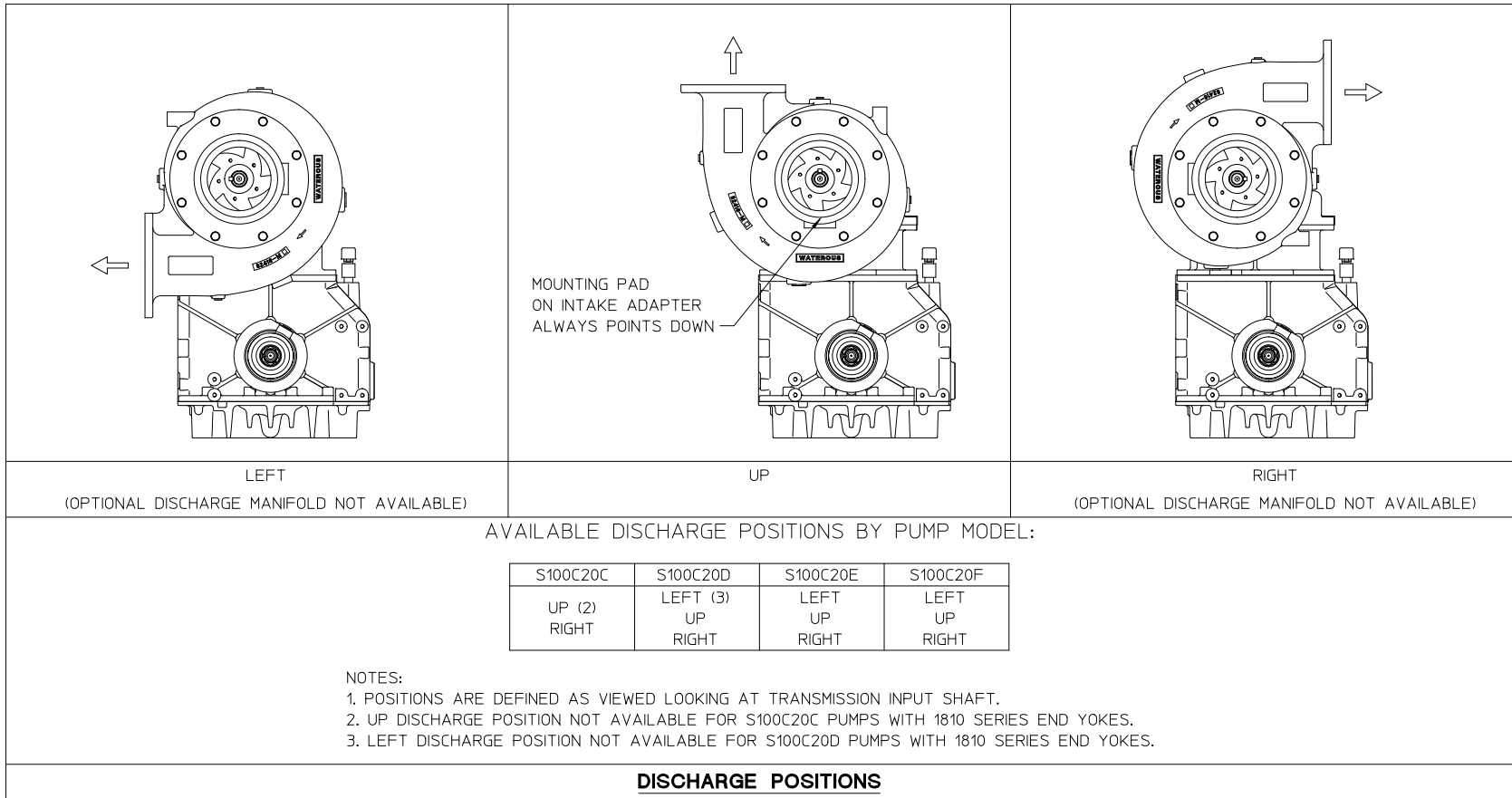


MODEL S100C20

INPUT SHAFT ONLY, PUMP MOUNTED ON FRONT (INPUT SHAFT SIDE) OF TRANSMISSION
 HYDRAULIC PUMP MOUNTING PROVISION ON REAR (OUTPUT SHAFT SIDE) OF TRANSMISSION
 CLOCKWISE INPUT, MODEL S100C20E, 2.27 RATIO SHOWN, BLANK DISCHARGE, UP DISCHARGE POSITION SHOWN



ALL DIMENSIONS SHOWN AS INCH/MILLIMETER
 (INCH
 MILLIMETER)



ORDERING INFORMATION

WHEN ORDERING FURNISH THE FOLLOWING INFORMATION:

- | | |
|--|--|
| 1. PUMP MODEL: (SEE PAGE 13).
2. DRIVE TO DRIVEN RATIO: (SEE PAGE 13).
3. PUMP MOUNTING: FRONT OF TRANSMISSION.
4. DISCHARGE POSITION: LEFT, UP OR RIGHT. | 5. HYDRAULIC ADAPTER (SEE PAGE 14).
6. OPTIONAL DISCHARGE FITTING: (SEE PAGES 4 THROUGH 6). |
|--|--|

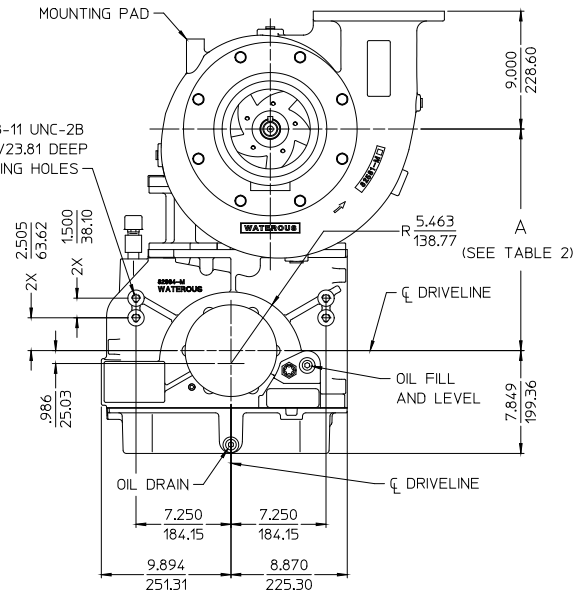
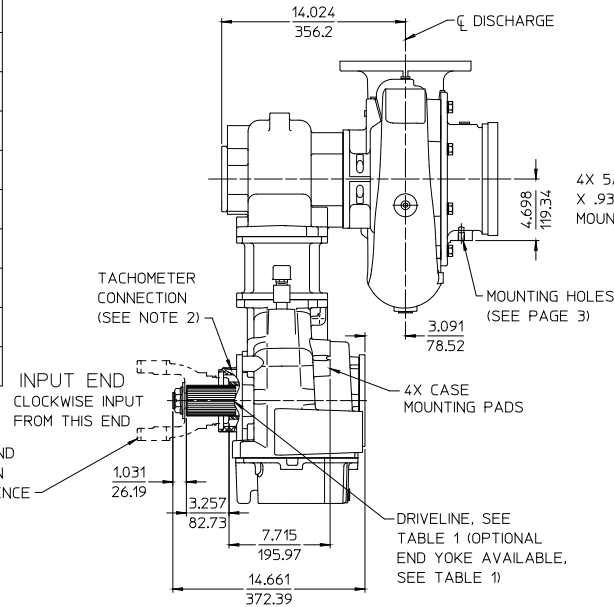
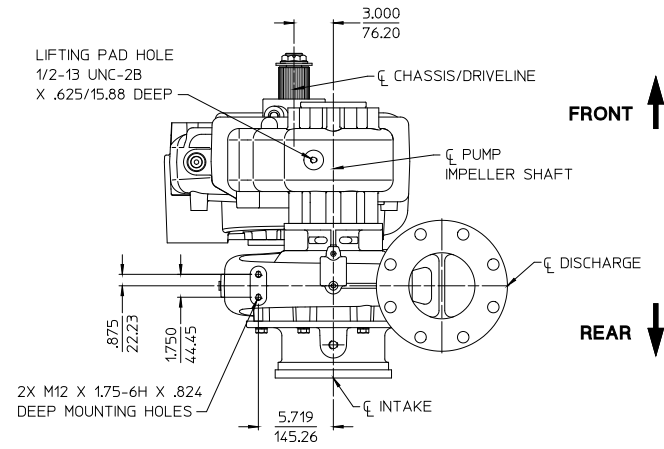
PUMP MOUNTED ON FRONT (INPUT SHAFT SIDE) OF TRANSMISSION
 MODEL S100C20 ORDERING INFORMATION

DRIVELINE			OPTIONAL END YOKES AND COMPANION FLANGES AVAILABLE FROM WATEROUS				PUMP MODELS
TYPE	SIZE	SPLINE	SPICER SERIES	YOKE		COMPANION FLANGE	
				PART NUMBER	CROSS AND BEARING KIT		
EXTRA HEAVY DUTY	2.35 INCH	2.350-46T INVOLUTE	1480/1610	--	--	V 3719	S100C20B.
			1650/1710	--	--	V 3619	S100C20C.
			1710	V 2837	V 2839	--	S100C20D.
			1810	V 2838	V 2840	--	S100C20E.
			SPL140	V 3388	V 3389	--	S100C20F.

DRIVE TO DRIVEN RATIO	DIMENSION A				
	C20B	C20C	C20D	C20E	C20F
1.27 (3)	N/A	N/A	N/A	N/A	N/A
1.41	11.840	13.899	14.931	16.971	19.002
	300.74	353.03	379.25	431.06	482.65
1.48	12.326	13.878	14.907	16.951	18.981
	313.08	352.50	378.64	430.56	482.12
1.58	12.205	13.756	14.788	16.830	18.861
	310.01	349.40	375.62	427.48	479.07
1.69	12.290	13.839	14.876	16.923	18.961
	312.17	351.51	377.85	429.84	481.61
1.79	11.958	14.045	15.072	17.127	19.168
	303.73	356.74	382.83	435.03	486.87
1.88	12.129	13.690	14.717	16.773	18.809
	308.08	347.73	373.81	426.03	477.75
1.97	12.306	13.870	14.912	16.970	19.012
	312.57	352.30	378.76	431.04	482.90
2.03	11.896	13.984	15.028	17.086	19.132
	302.16	355.19	381.71	433.98	485.95
2.27	12.240	13.811	14.856	16.920	18.971
	310.90	350.80	377.34	429.77	481.86
2.46	11.941	14.042	15.087	17.154	19.205
	303.30	356.67	383.21	435.71	487.81
2.68	12.169	13.746	14.793	16.865	18.923
	309.09	349.15	375.74	428.37	480.64

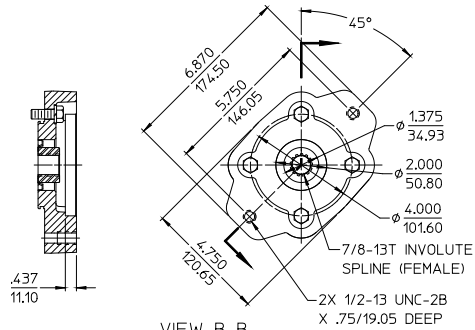
- NOTES:
- SEE TABLE 2 FOR AVAILABLE RATIOS.
 - SEE DRAWING DPL82994 FOR ADDITIONAL DETAILS OF C20 SERIES TRANSMISSIONS.
 - NOT AVAILABLE BECAUSE OF INTERFERENCE BETWEEN THE CHAIN AND SHIFT COLLAR.

ALL DIMENSIONS SHOWN AS INCH/MILLIMETER
(INCH / MILLIMETER)



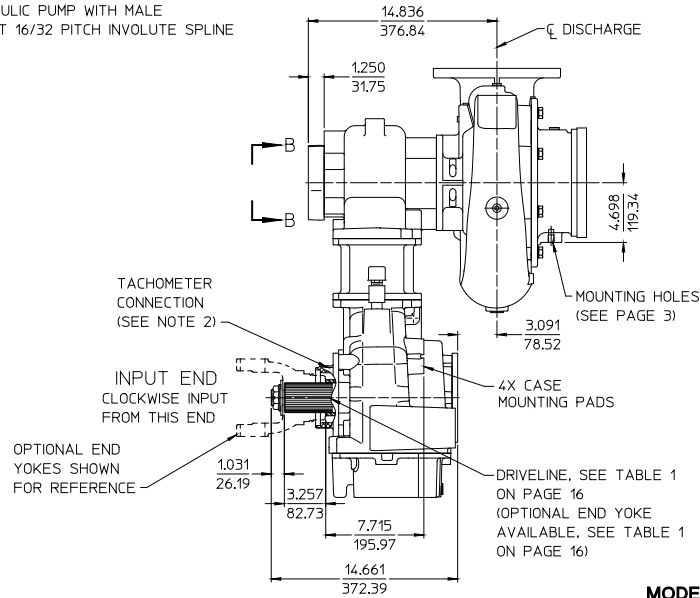
MODEL S100C20

INPUT SHAFT ONLY, PUMP MOUNTED ON REAR (OUTPUT SHAFT SIDE) OF TRANSMISSION
CLOCKWISE INPUT, MODEL S100C20E, 2.27 RATIO SHOWN
BLANK DISCHARGE, UP DISCHARGE POSITION SHOWN



VIEW B-B
(ROTATED CW 90°)
HYDRAULIC PUMP ADAPTER FLANGE
USED FOR SAE J744 CLASS B 2-BOLT
HYDRAULIC PUMP WITH MALE
7/8-13T 16/32 PITCH INVOLUTE SPLINE

NOTES:
1. SEE TABLE 2 ON PAGE 16 FOR AVAILABLE RATIOS.
2. SEE DRAWING DPL82994 FOR ADDITIONAL DETAILS OF
C20 SERIES TRANSMISSIONS.

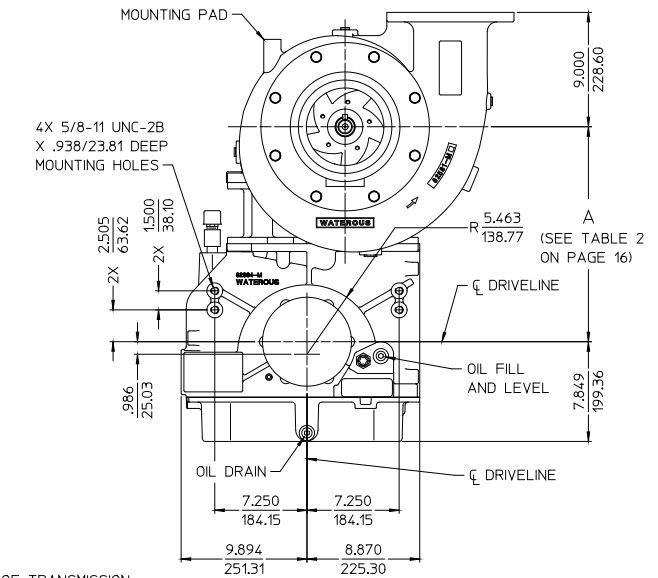
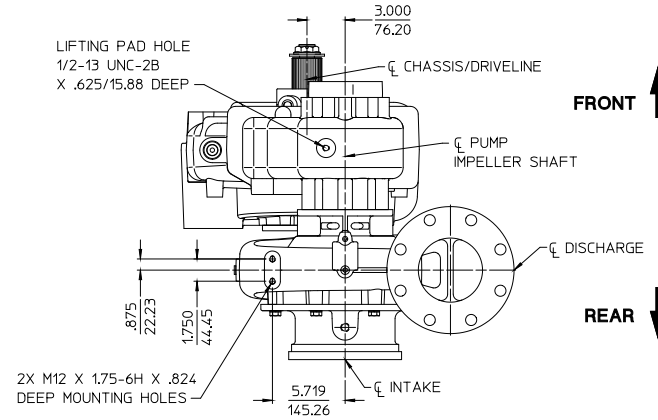


MODEL S100C20

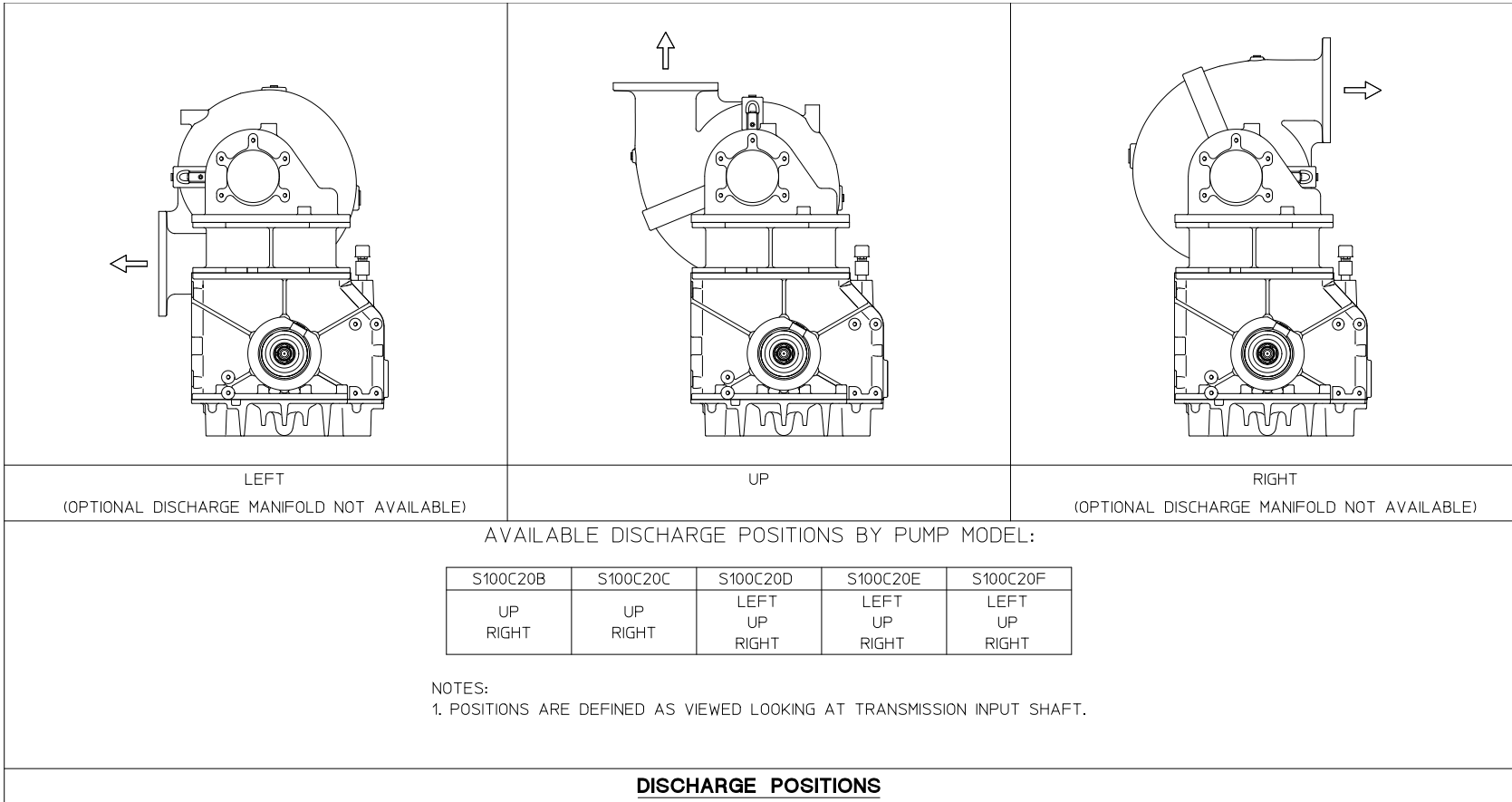
INPUT SHAFT ONLY

PUMP MOUNTED ON REAR (OUTPUT SHAFT SIDE) OF TRANSMISSION
HYDRAULIC PUMP MOUNTING PROVISION ON FRONT (INPUT SHAFT SIDE) OF TRANSMISSION
CLOCKWISE INPUT, MODEL S100C20E, 2.27 RATIO SHOWN
BLANK DISCHARGE, UP DISCHARGE POSITION SHOWN

ALL DIMENSIONS SHOWN AS INCH/MILLIMETER
(INCH / MILLIMETER)



FRONT ↑
REAR ↓

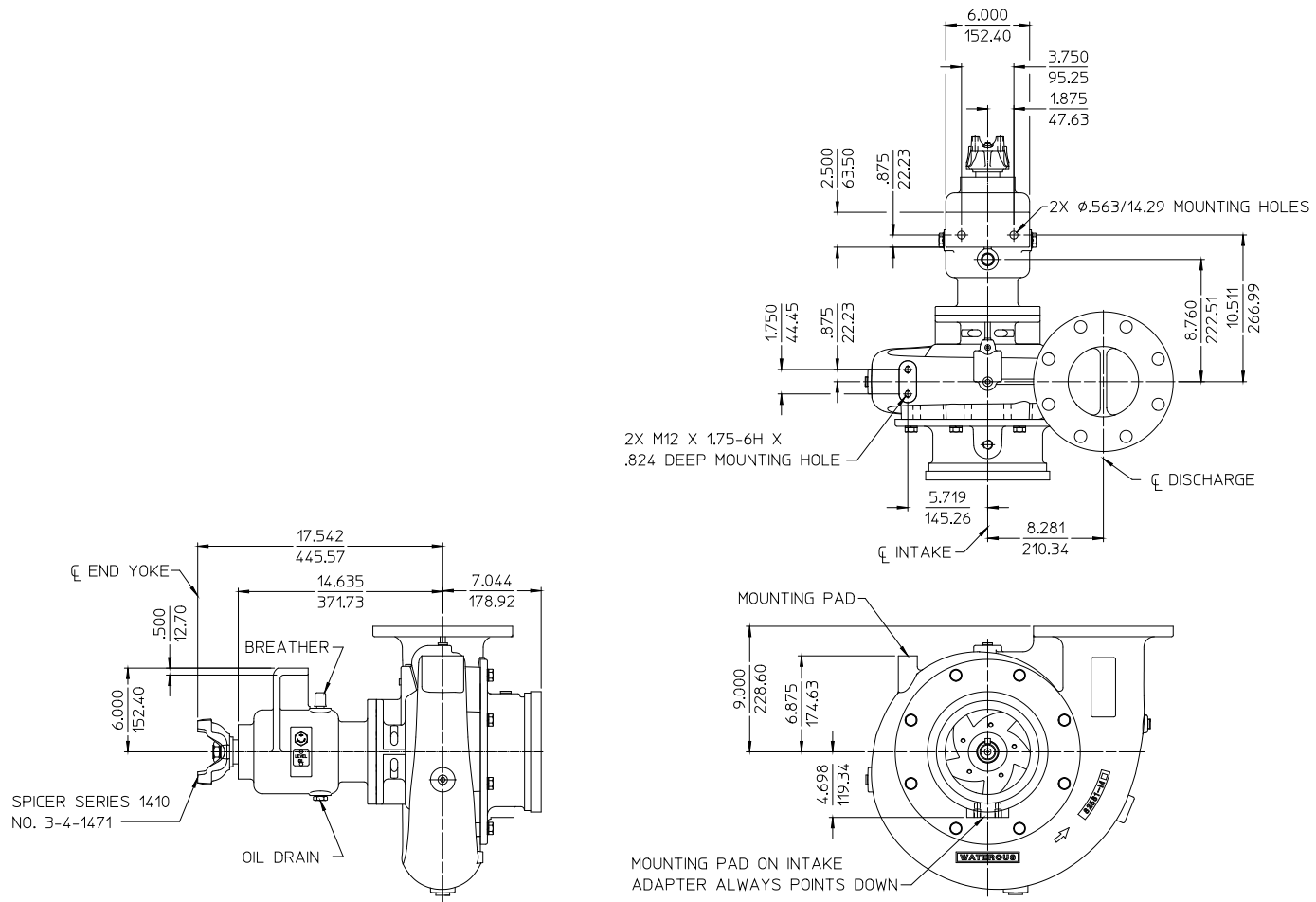


ORDERING INFORMATION

WHEN ORDERING FURNISH THE FOLLOWING INFORMATION:

1. PUMP MODEL: (SEE PAGE 16).
2. DRIVE TO DRIVEN RATIO: (SEE PAGE 16).
3. PUMP MOUNTING: REAR OF TRANSMISSION.
4. DISCHARGE POSITION: LEFT, UP OR RIGHT.
5. HYDRAULIC ADAPTER (SEE PAGE 17).
6. OPTIONAL DISCHARGE FITTING: (SEE PAGES 4 THROUGH 6).

PUMP MOUNTED ON REAR (OUTPUT SHAFT SIDE) OF TRANSMISSION
MODEL S100C20 ORDERING INFORMATION

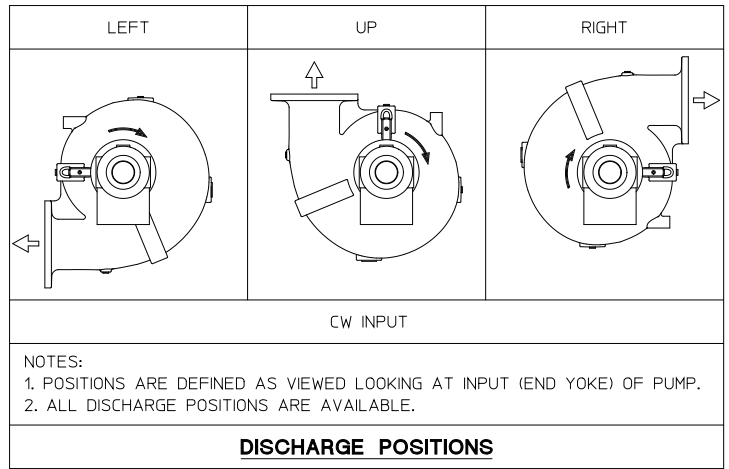
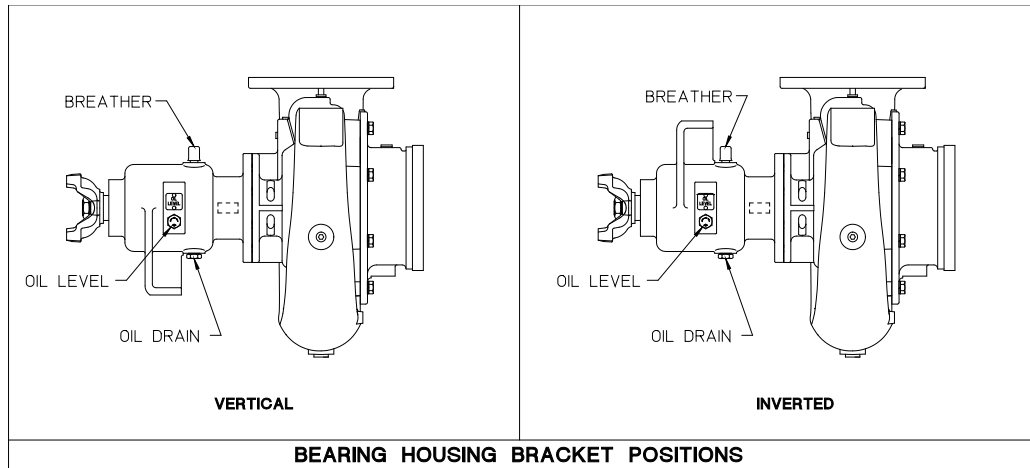


ALL DIMENSIONS SHOWN AS INCH/MILLIMETER
 ($\frac{\text{INCH}}{\text{MILLIMETER}}$)

MODEL S100D

CW INPUT

BLANK DISCHARGE, UP DISCHARGE POSITION SHOWN
 INVERTED BEARING HOUSING BRACKET POSITION SHOWN

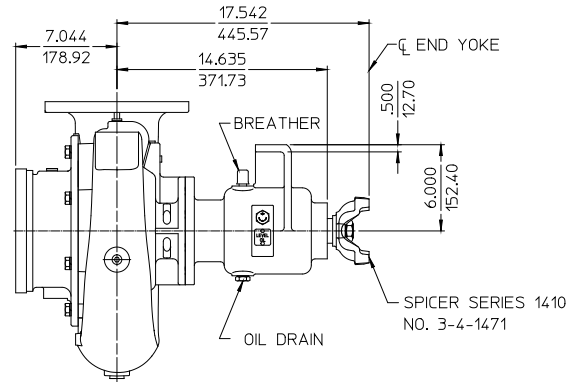
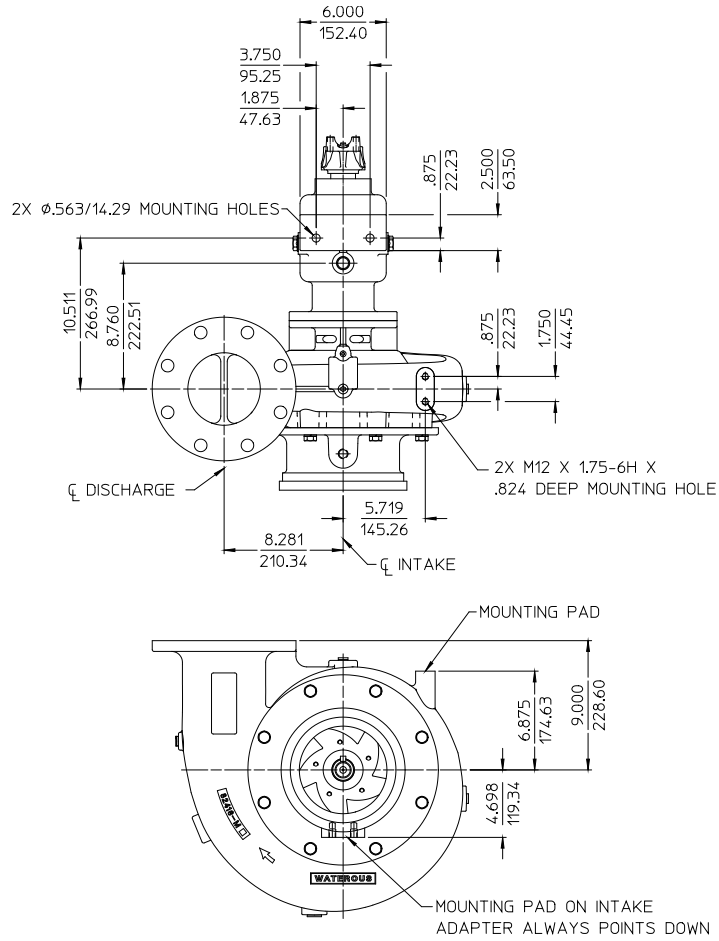


ORDERING INFORMATION

WHEN ORDERING FURNISH THE FOLLOWING INFORMATION:

- | | |
|--|---|
| <p>1. PUMP MODEL: S100D.</p> <p>2. INPUT ROTATION: CLOCKWISE</p> <p>3. BEARING HOUSING BRACKET POSITION: VERTICAL OR INVERTED.</p> | <p>4. DISCHARGE POSITION: LEFT, UP OR RIGHT.</p> <p>5. OPTIONAL DISCHARGE FITTING: (SEE PAGES 4 THROUGH 6).</p> |
|--|---|

CW INPUT
MODEL S100D ORDERING INFORMATION

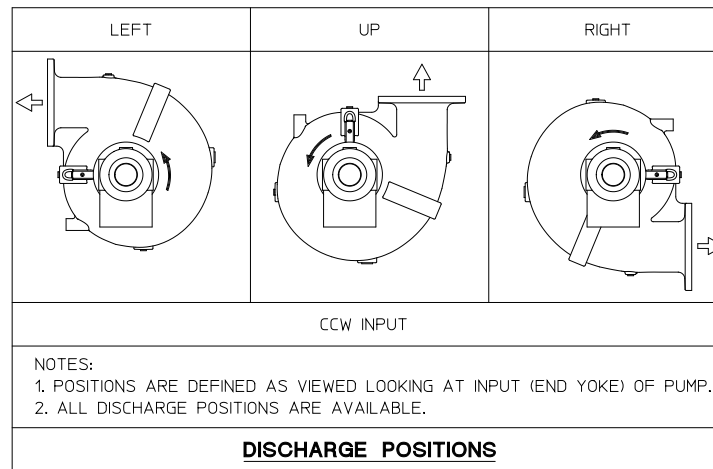
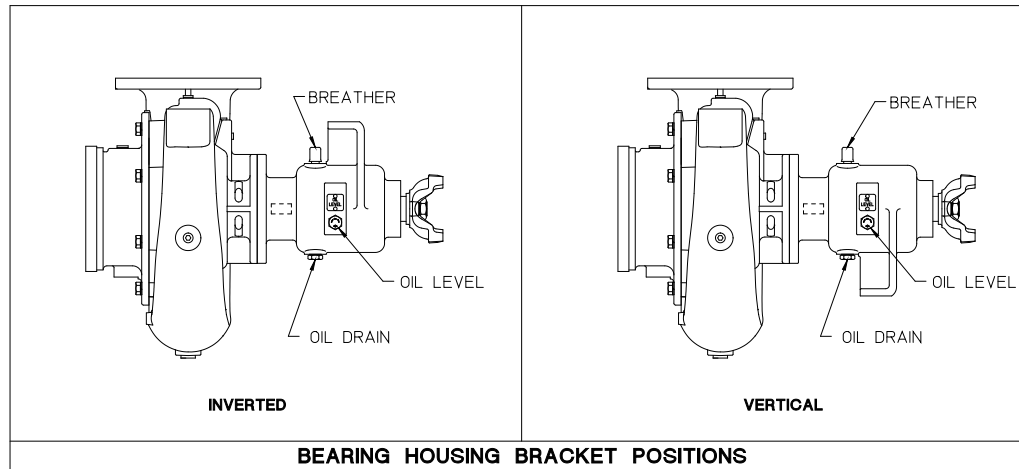


MODEL S1000

CCW INPUT

BLANK DISCHARGE, UP DISCHARGE POSITION SHOWN
INVERTED BEARING HOUSING BRACKET POSITION SHOWN

ALL DIMENSIONS SHOWN AS INCH/MILLIMETER
($\frac{\text{INCH}}{\text{MILLIMETER}}$)



ORDERING INFORMATION

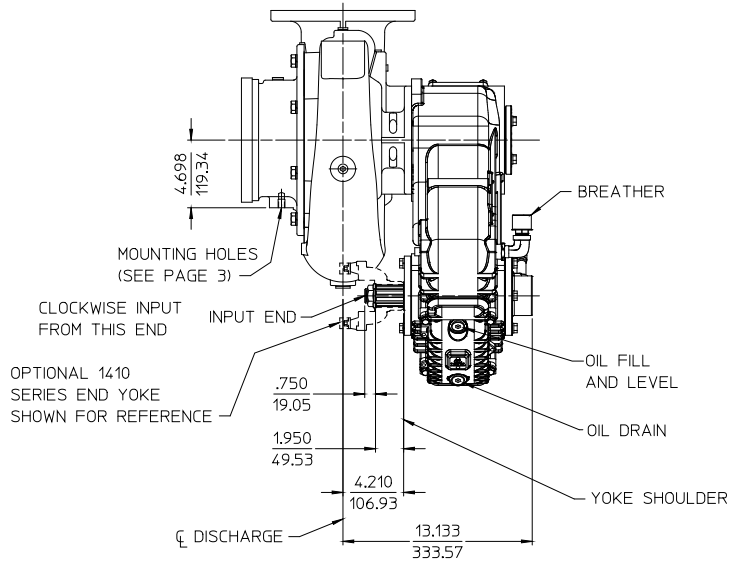
WHEN ORDERING FURNISH THE FOLLOWING INFORMATION:

- | | |
|--|---|
| <p>1. PUMP MODEL: S100D.</p> <p>2. INPUT ROTATION: COUNTERCLOCKWISE.</p> <p>3. BEARING HOUSING BRACKET POSITION: VERTICAL OR INVERTED.</p> | <p>4. DISCHARGE POSITION: LEFT, UP OR RIGHT.</p> <p>5. OPTIONAL DISCHARGE FITTING: (SEE PAGES 4 THROUGH 6).</p> |
|--|---|

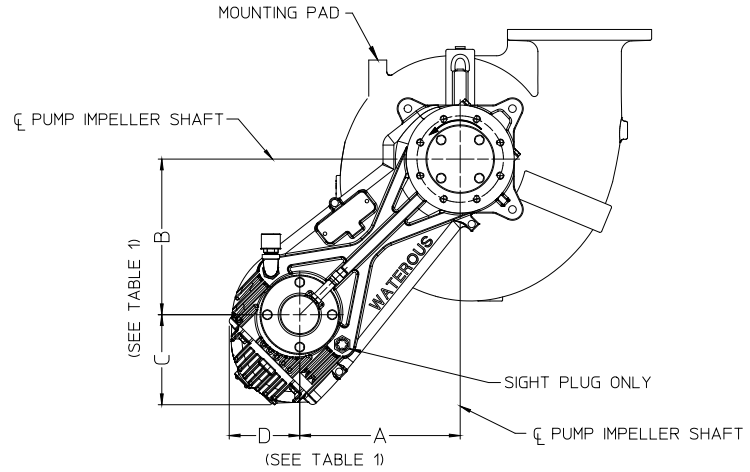
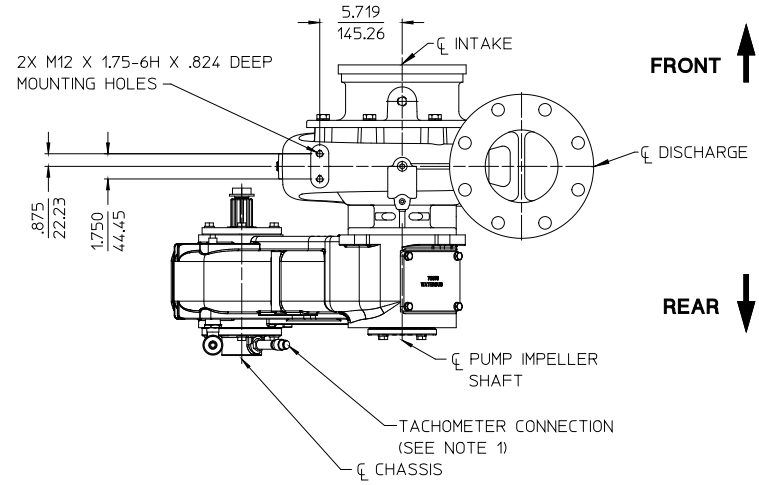
CCW INPUT
MODEL S100D ORDERING INFORMATION

TABLE 1 - AVAILABLE AS FOLLOWS							
DRIVE LINE		RATIO	DIM A	DIM B	DIM C	DIM D	MODEL
SIZE	SPLINE						
1-1/2 INCH	1-1/2-10 SAE	1.71	11.364/288.65	11.020/279.91	6.028/153.14	4.671/118.63	S100PA
		1.91	11.438/290.53	11.092/281.74	5.956/151.31	4.597/116.75	
		2.05	11.142/283.01	10.816/274.73	6.232/158.32	4.893/124.27	

NOTE:
1. SEE DRAWING DPL82080 FOR ADDITIONAL DETAILS
OF P SERIES TRANSMISSION.



ALL DIMENSIONS SHOWN AS INCH/MILLIMETER
($\frac{\text{INCH}}{\text{MILLIMETER}}$)

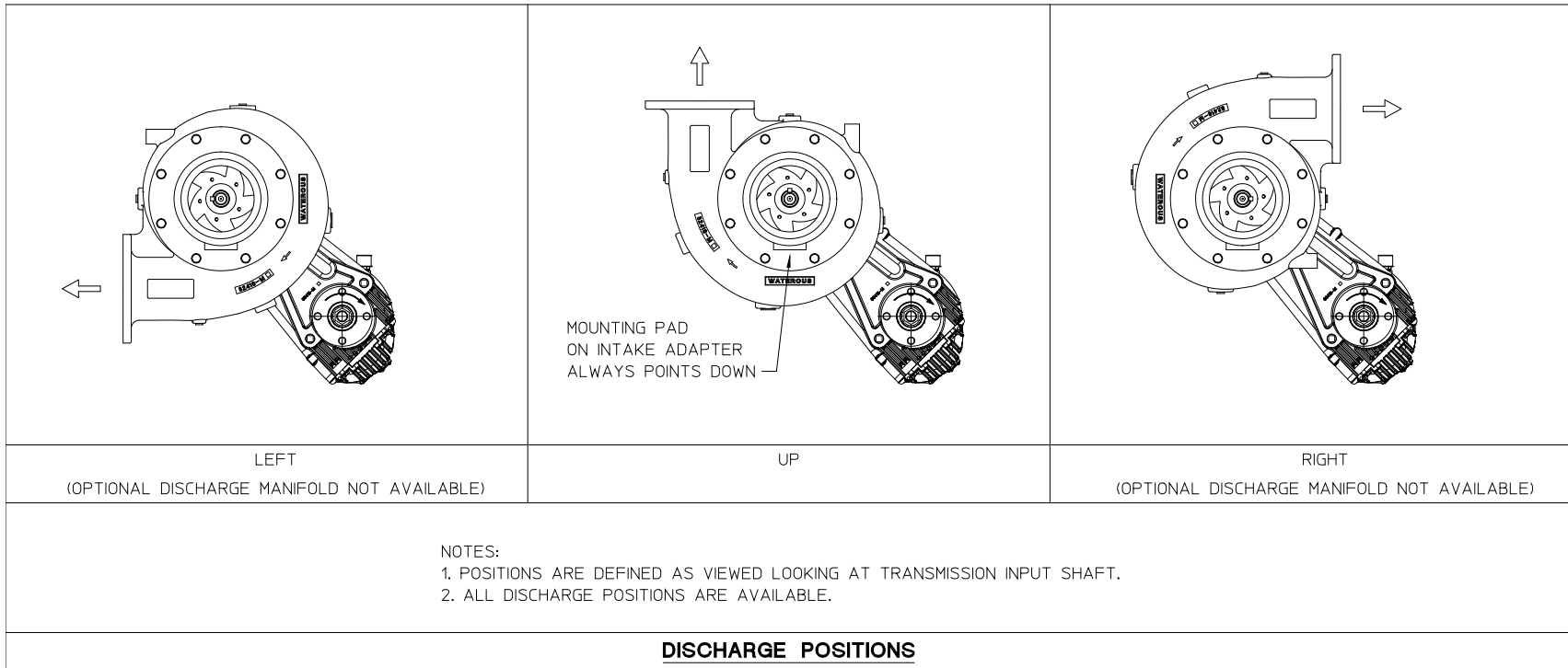


MODEL S100PA

INPUT SHAFT ONLY

PUMP MOUNTED ON FRONT (INPUT SHAFT SIDE) OF TRANSMISSION

CLOCKWISE INPUT, MODEL S100PA, 2.05 RATIO SHOWN, BLANK DISCHARGE, UP DISCHARGE POSITION SHOWN



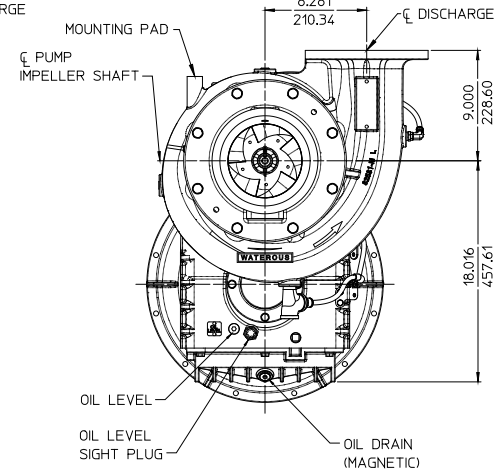
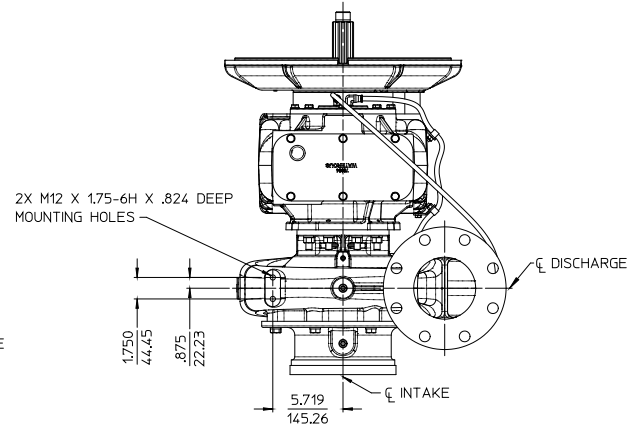
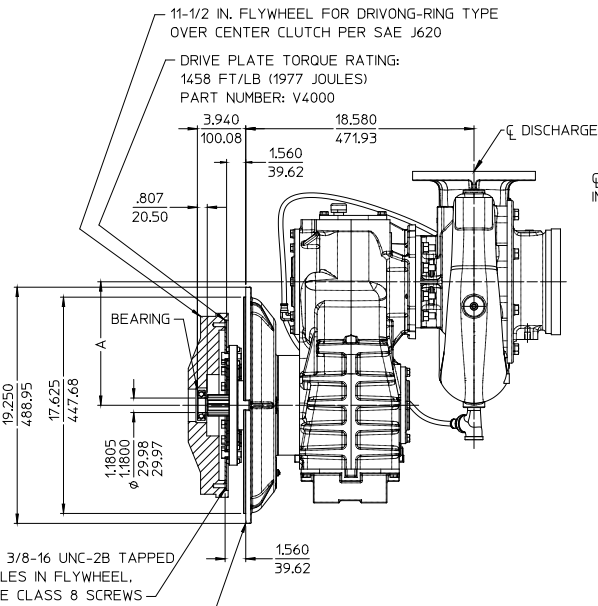
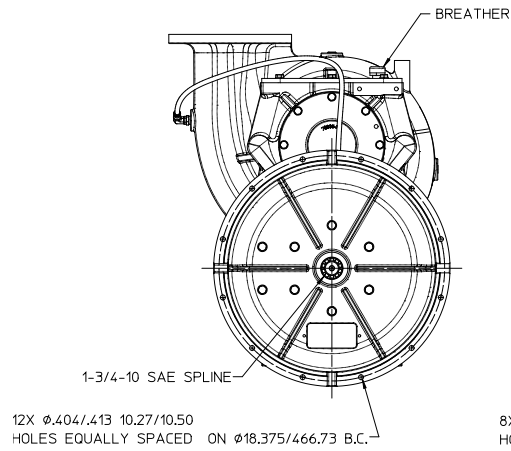
ORDERING INFORMATION

WHEN ORDERING FURNISH THE FOLLOWING INFORMATION:

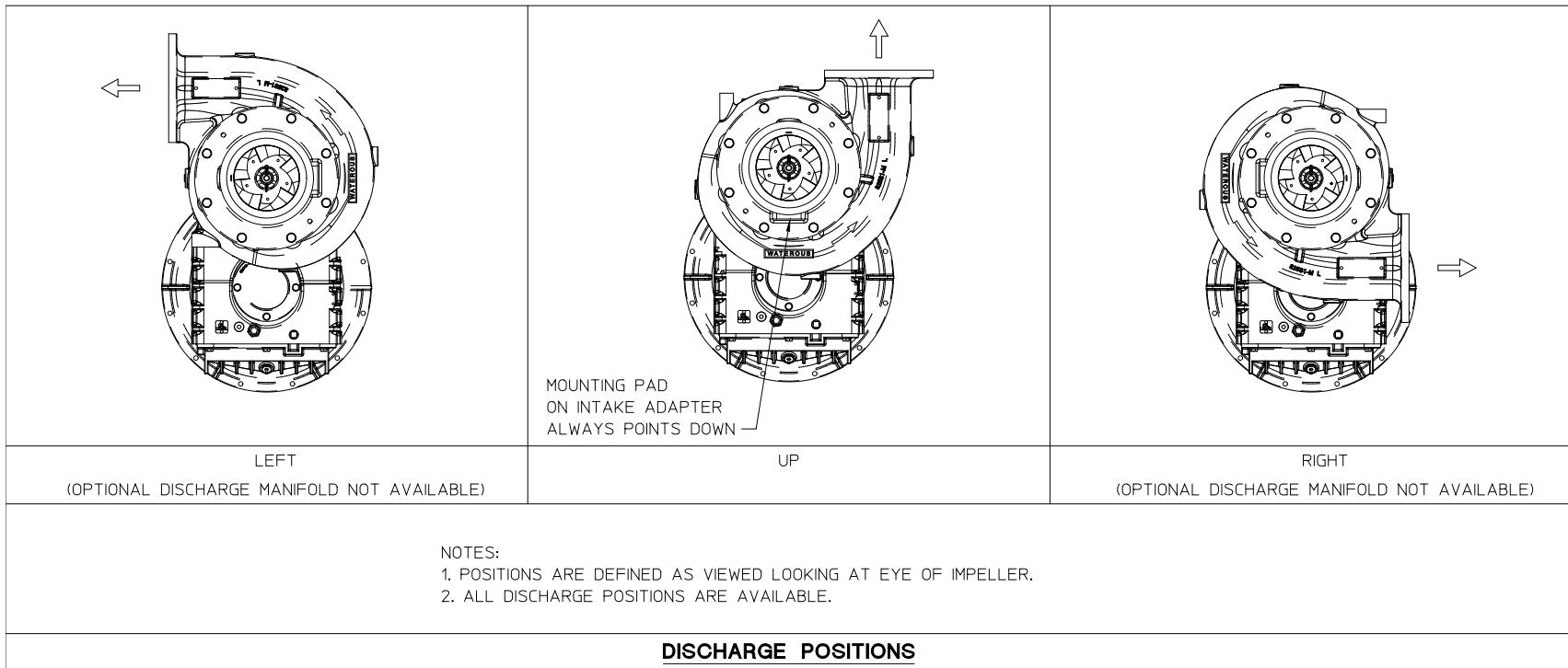
1. PUMP MODEL: S100PA.
2. DRIVE TO DRIVEN RATIO: (SEE PAGE 23).
3. PUMP MOUNTING: FRONT (INPUT SHAFT SIDE) OF TRANSMISSION.
4. DISCHARGE POSITION: LEFT, UP OR RIGHT.
5. OPTIONAL DISCHARGE FITTING: (SEE PAGES 4 THROUGH 6).

PUMP MOUNTED ON FRONT (INPUT SHAFT SIDE) OF TRANSMISSION
MODEL S100PA ORDERING INFORMATION

DRIVE LINE		RATIO	DIM A	MODEL
SIZE	SPLINE			
1-3/4 INCH	1-3/4-10	1.83	10.063/255.60	S100QC
	SAE	2.10	10.553/268.05	



ALL DIMENSIONS SHOWN AS INCH/MILLIMETER
(INCH)
(MILLIMETER)



ORDERING INFORMATION

WHEN ORDERING FURNISH THE FOLLOWING INFORMATION:

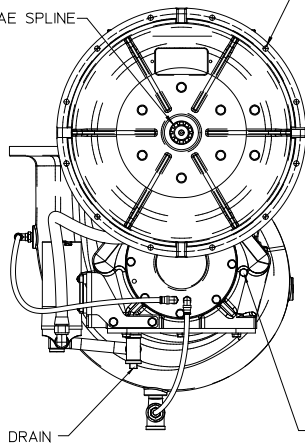
- | | |
|--|---|
| 1. PUMP MODEL: S100QC. | 4. DISCHARGE POSITION: LEFT, UP OR RIGHT. |
| 2. DRIVE TO DRIVEN RATIO: (SEE PAGE 25). | 5. OPTIONAL DISCHARGE FITTING: (SEE PAGES 4 THROUGH 6). |
| 3. PUMP MOUNTING: REAR (OUTPUT SHAFT SIDE)
OF TRANSMISSION. | |

DIRECT ENGINE MOUNTED, VERTICAL CASE
PUMP MOUNTED ON REAR (OUTPUT SHAFT SIDE) OF TRANSMISSION
MODEL S100QC ORDERING INFORMATION

DRIVE LINE		RATIO	DIM A	MODEL
SIZE	SPLINE			
1-3/4 INCH	1-3/4-10 SAE	1.83	10.063/255.60	S100QC
		2.10	10.553/268.05	

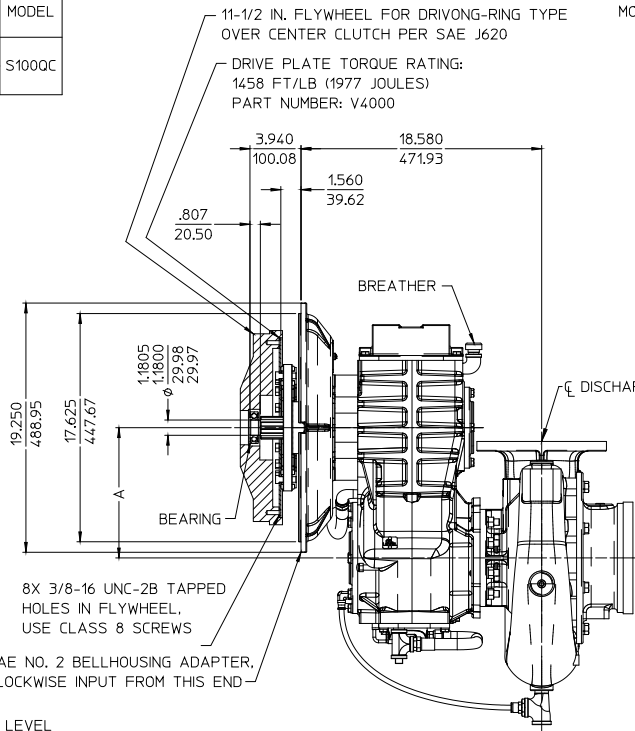
12X ϕ .404/.413 10.27/10.50
HOLES EQUALLY SPACED ON ϕ 18.375/466.73 B.C.

1-3/4-10 SAE SPLINE

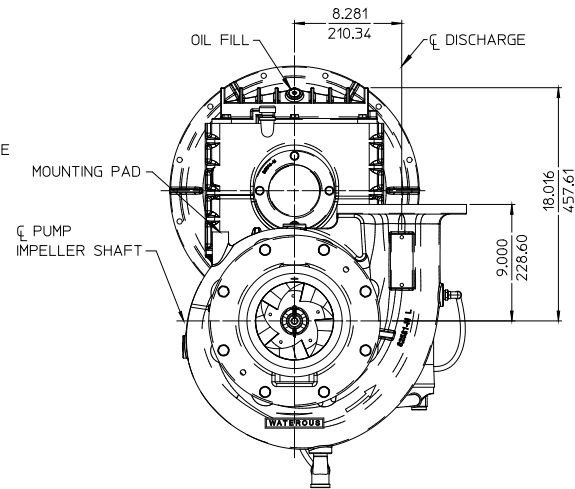
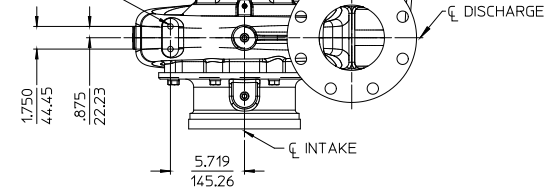


OIL DRAIN

OIL LEVEL



2X M12 X 1.75-6H X .824 DEEP MOUNTING HOLES

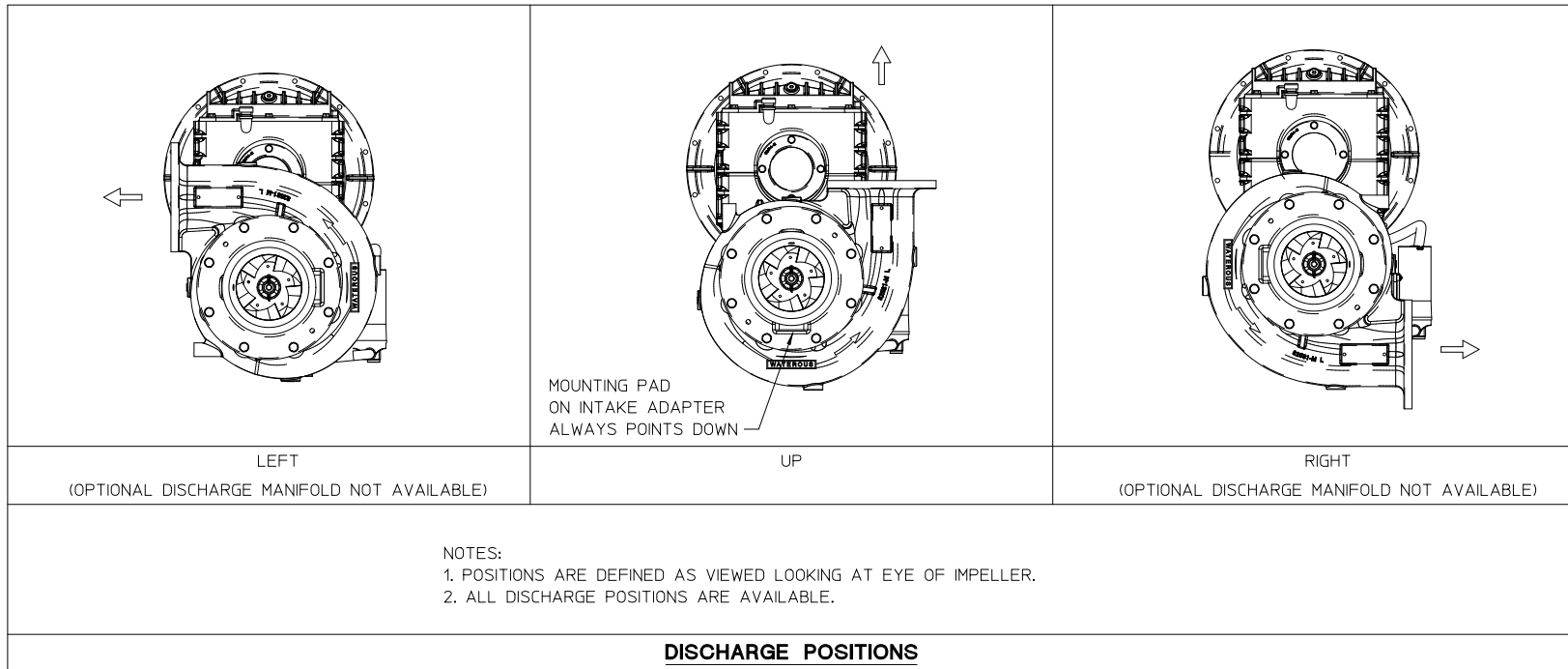


MODEL S100QC

INPUT SHAFT ONLY
DIRECT ENGINE MOUNTED, INVERTED CASE
PUMP MOUNTED ON REAR (OUTPUT SHAFT SIDE) OF TRANSMISSION
CLOCKWISE INPUT, MODEL S100QC, 1.83 RATIO SHOWN, BLANK DISCHARGE, UP DISCHARGE POSITION SHOWN

ALL DIMENSIONS SHOWN AS INCH/MILLIMETER

($\frac{\text{INCH}}{\text{MILLIMETER}}$)

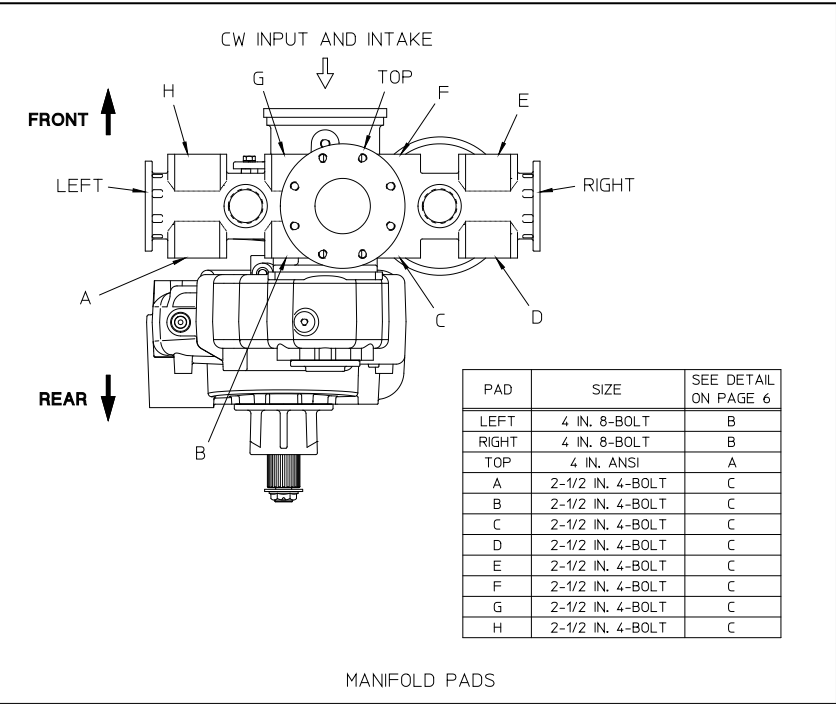
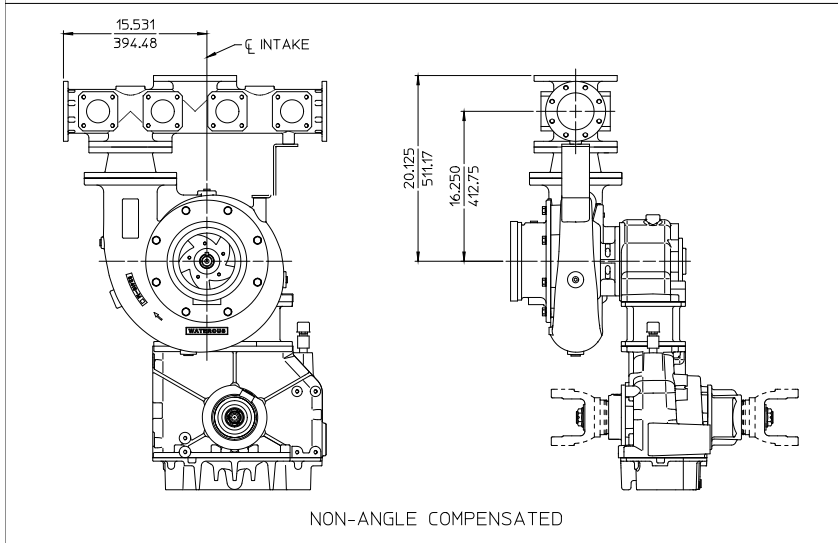
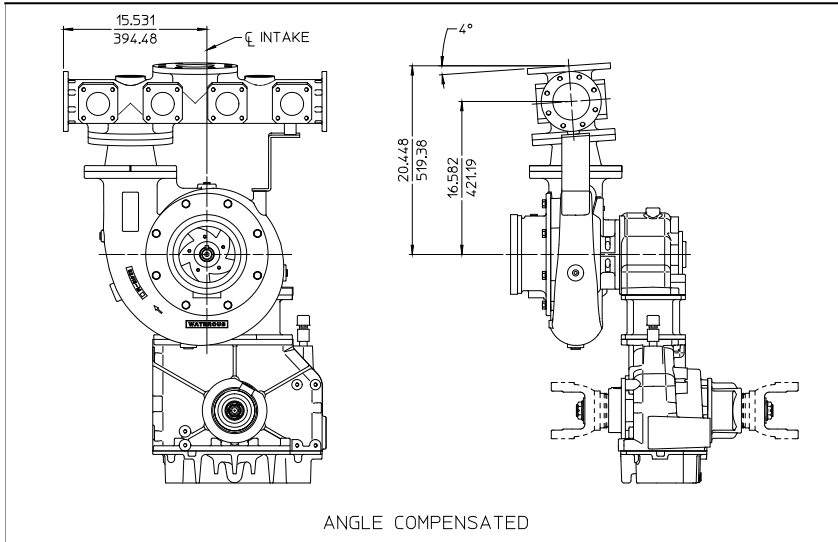


ORDERING INFORMATION

WHEN ORDERING FURNISH THE FOLLOWING INFORMATION:

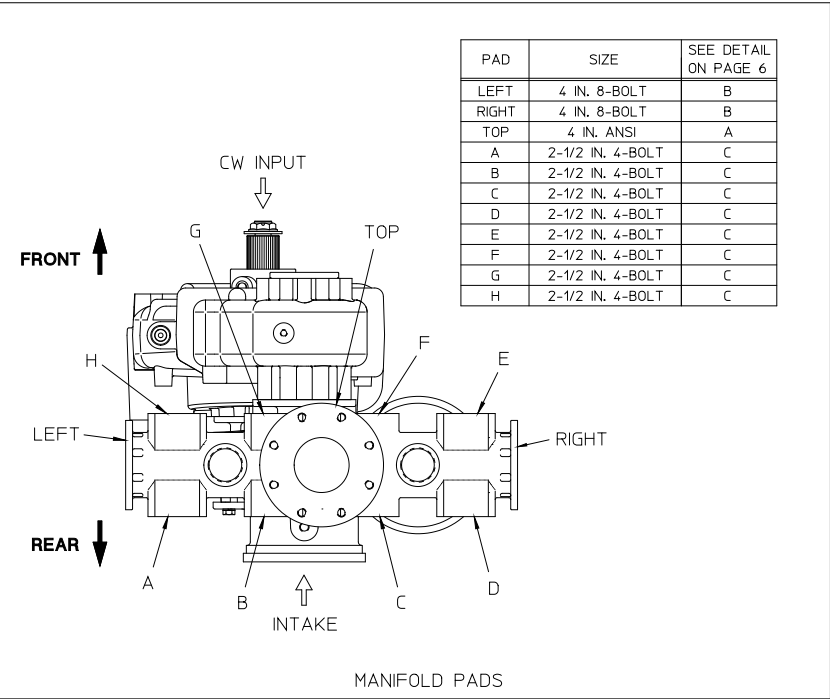
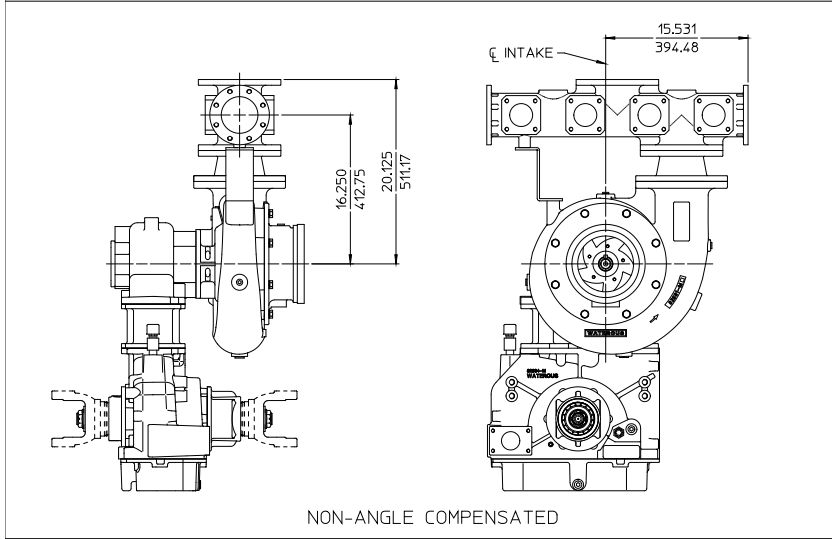
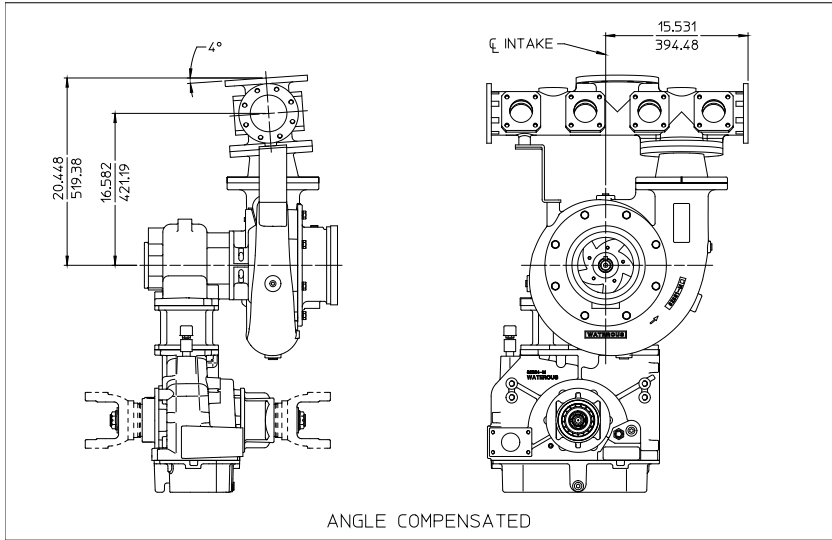
- | | |
|--|---|
| 1. PUMP MODEL: S1000C. | 4. DISCHARGE POSITION: LEFT, UP OR RIGHT. |
| 2. DRIVE TO DRIVEN RATIO: (SEE PAGE 27). | 5. OPTIONAL DISCHARGE FITTING: (SEE PAGES 4 THROUGH 6). |
| 3. PUMP MOUNTING: REAR (OUTPUT SHAFT SIDE)
OF TRANSMISSION. | |

DIRECT ENGINE MOUNTED, INVERTED CASE
PUMP MOUNTED ON REAR (OUTPUT SHAFT SIDE) OF TRANSMISSION
MODEL S1000C ORDERING INFORMATION



MANIFOLD MOUNTED PERPENDICULAR TO INTAKE
MODEL S100C20

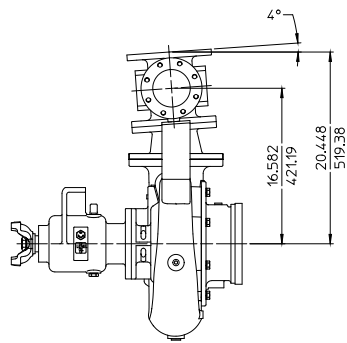
PUMP MOUNTED ON FRONT (INPUT SHAFT SIDE) OF TRANSMISSION
NOTE: SEE PAGE 6 FOR MANIFOLD DIMENSIONS NOT SHOWN



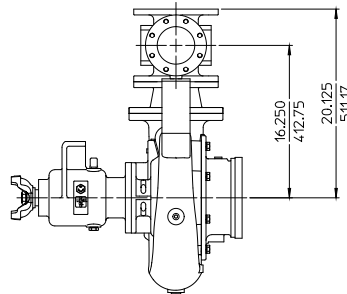
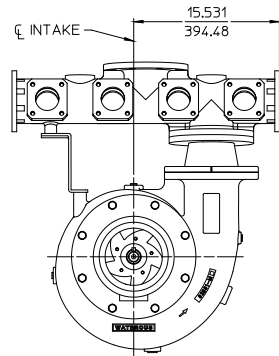
MANIFOLD MOUNTED PERPENDICULAR TO INTAKE

MODEL S100C20

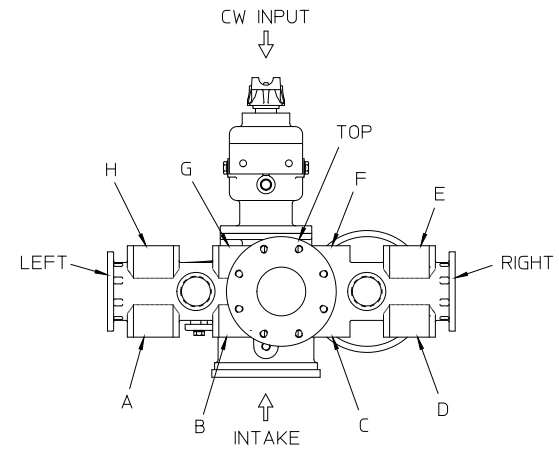
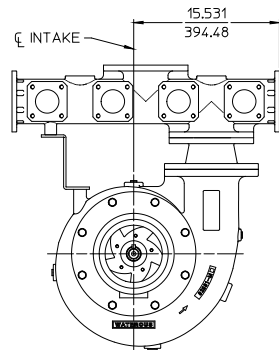
PUMP MOUNTED ON REAR (OUTPUT SHAFT SIDE) OF TRANSMISSION
 NOTE: SEE PAGE 6 FOR MANIFOLD DIMENSIONS NOT SHOWN



ANGLE COMPENSATED



NON-ANGLE COMPENSATED

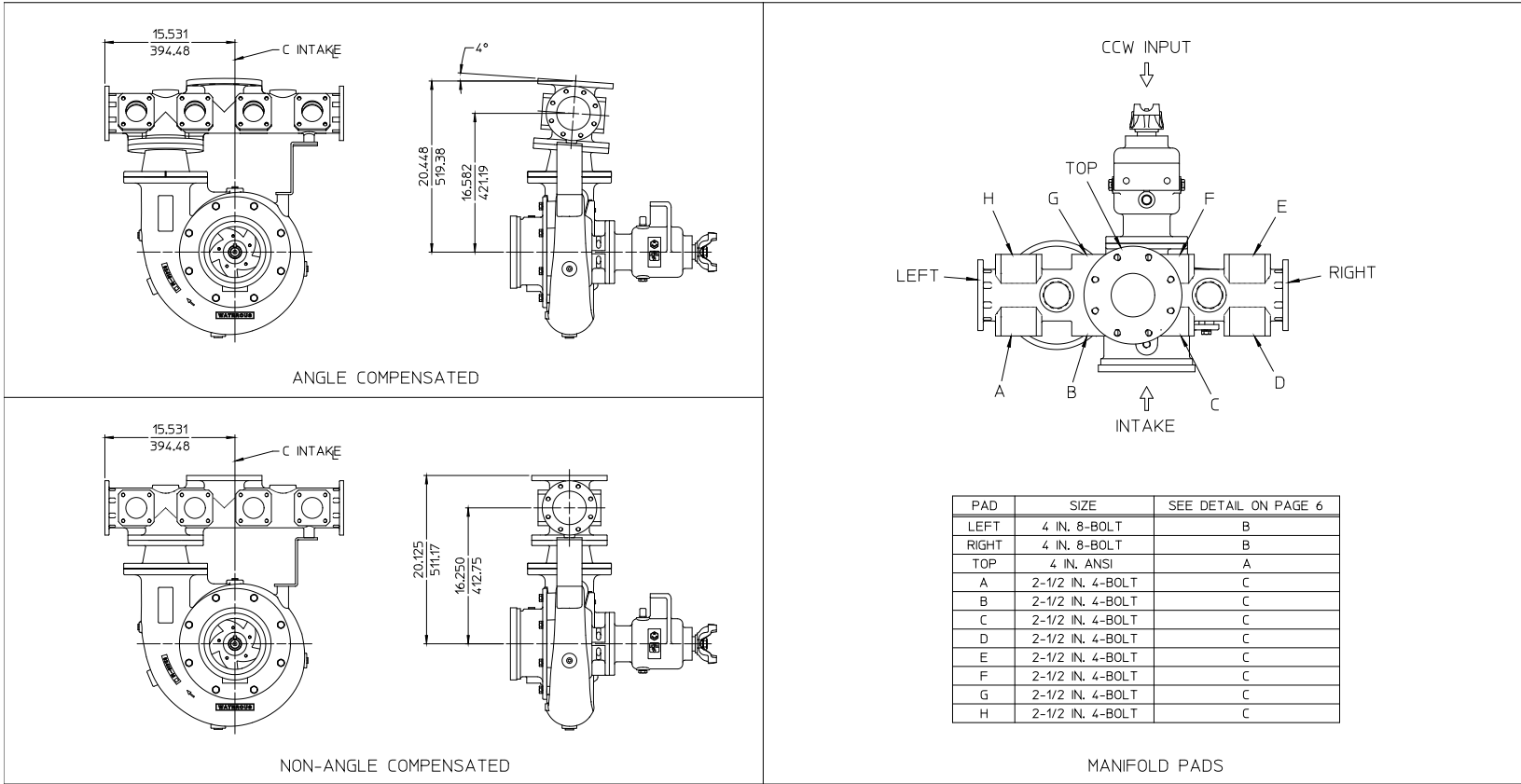


PAD	SIZE	SEE DETAIL ON PAGE 6
LEFT	4 IN. 8-BOLT	B
RIGHT	4 IN. 8-BOLT	B
TOP	4 IN. ANSI	A
A	2-1/2 IN. 4-BOLT	C
B	2-1/2 IN. 4-BOLT	C
C	2-1/2 IN. 4-BOLT	C
D	2-1/2 IN. 4-BOLT	C
E	2-1/2 IN. 4-BOLT	C
F	2-1/2 IN. 4-BOLT	C
G	2-1/2 IN. 4-BOLT	C
H	2-1/2 IN. 4-BOLT	C

MANIFOLD PADS

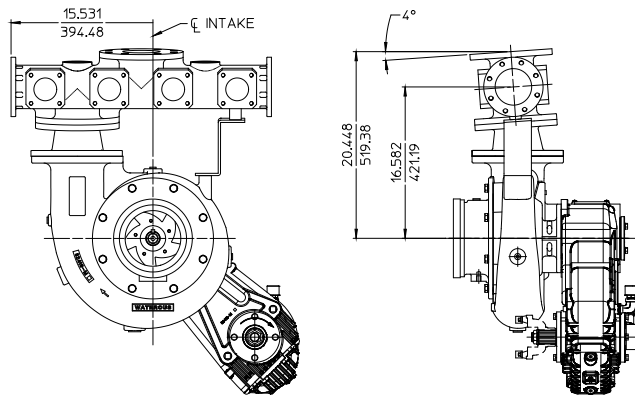
MANIFOLD MOUNTED PERPENDICULAR TO INTAKE
MODEL S100D

CW INPUT
 NOTE: SEE PAGE 6 FOR MANIFOLD DIMENSIONS NOT SHOWN

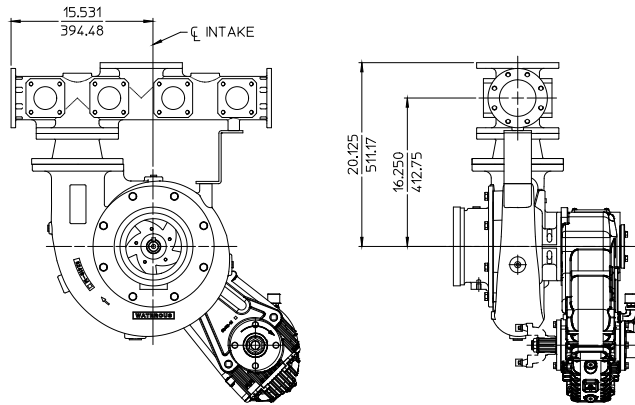


**MANIFOLD MOUNTED PERPENDICULAR TO INTAKE
MODEL S100D**

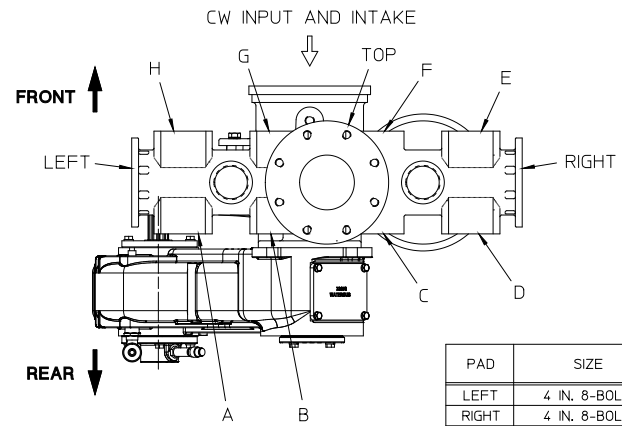
CCW INPUT
NOTE: SEE PAGE 6 FOR MANIFOLD DIMENSIONS NOT SHOWN



ANGLE COMPENSATED



NON-ANGLE COMPENSATED



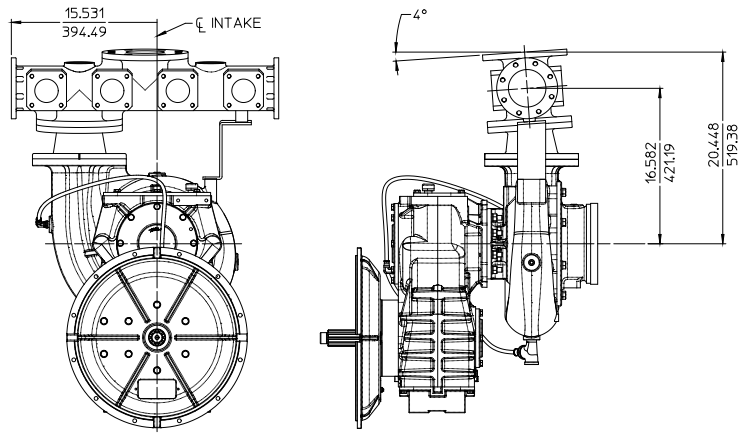
PAD	SIZE	SEE DETAIL ON PAGE 6
LEFT	4 IN. 8-BOLT	B
RIGHT	4 IN. 8-BOLT	B
TOP	4 IN. ANSI	A
A	2-1/2 IN. 4-BOLT	C
B	2-1/2 IN. 4-BOLT	C
C	2-1/2 IN. 4-BOLT	C
D	2-1/2 IN. 4-BOLT	C
E	2-1/2 IN. 4-BOLT	C
F	2-1/2 IN. 4-BOLT	C
G	2-1/2 IN. 4-BOLT	C
H	2-1/2 IN. 4-BOLT	C

MANIFOLD PADS

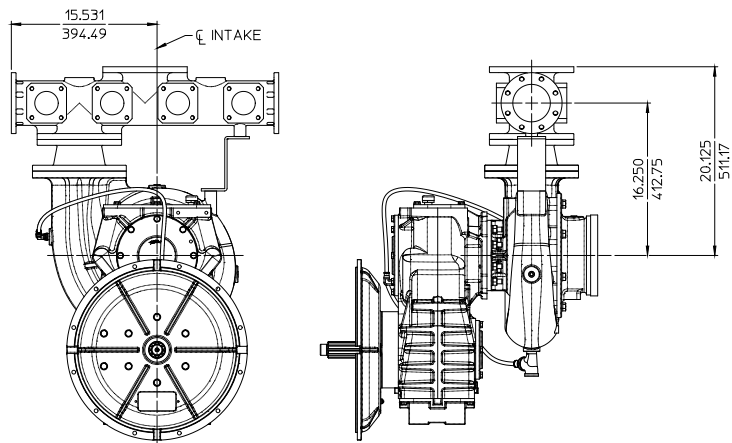
MANIFOLD MOUNTED PERPENDICULAR TO INTAKE

MODEL S100PA

PUMP MOUNTED ON FRONT (INPUT SHAFT SIDE) OF TRANSMISSION
 NOTE: SEE PAGE 6 FOR MANIFOLD DIMENSIONS NOT SHOWN

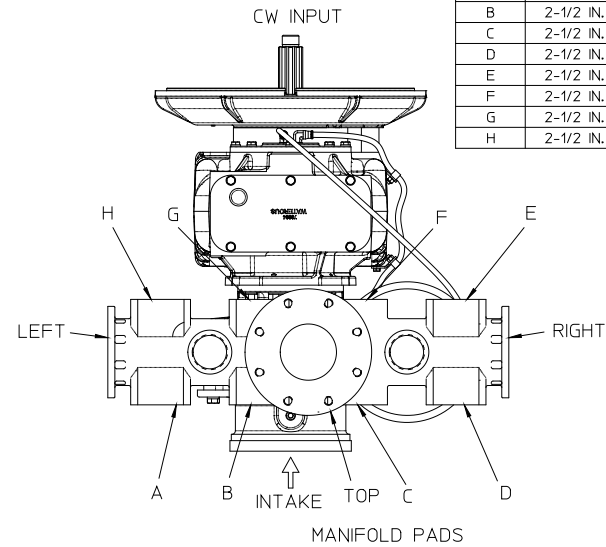


ANGLE COMPENSATED



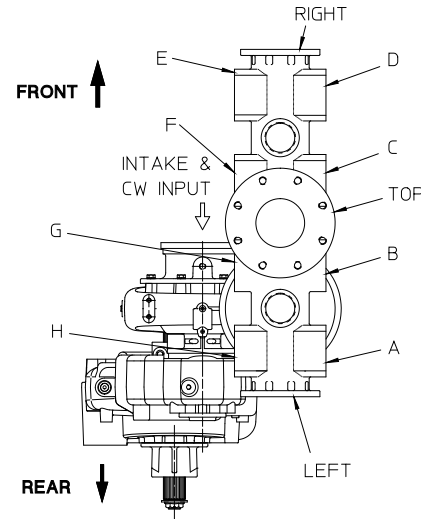
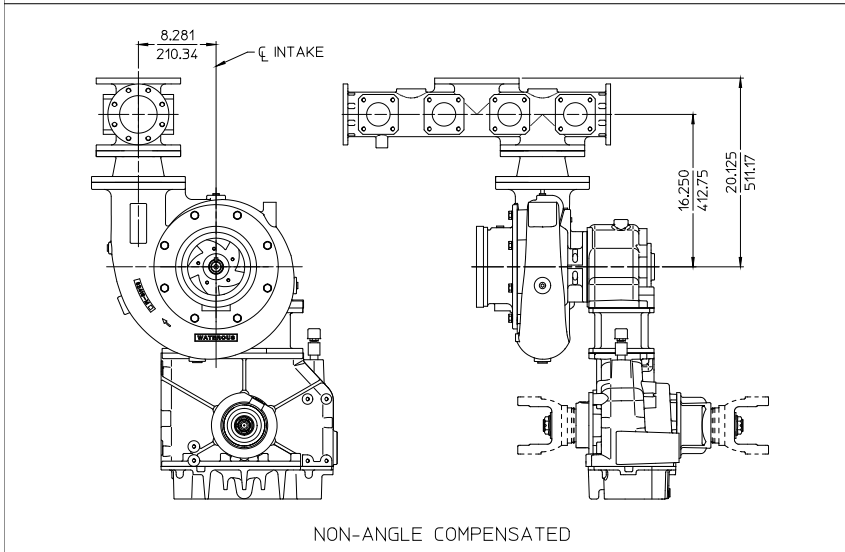
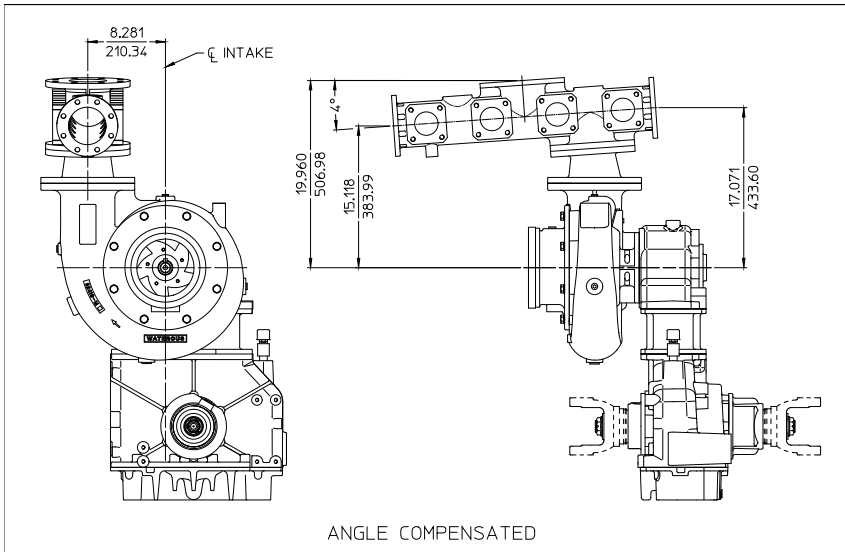
NON-ANGLE COMPENSATED

PAD	SIZE	SEE DETAIL ON PAGE 6
LEFT	4 IN. 8-BOLT	B
RIGHT	4 IN. 8-BOLT	B
TOP	4 IN. ANSI	A
A	2-1/2 IN. 4-BOLT	C
B	2-1/2 IN. 4-BOLT	C
C	2-1/2 IN. 4-BOLT	C
D	2-1/2 IN. 4-BOLT	C
E	2-1/2 IN. 4-BOLT	C
F	2-1/2 IN. 4-BOLT	C
G	2-1/2 IN. 4-BOLT	C
H	2-1/2 IN. 4-BOLT	C



MANIFOLD MOUNTED PERPENDICULAR TO INTAKE
MODEL S100QC

DIRECT ENGINE MOUNTED, VERTICAL CASE
 PUMP MOUNTED ON REAR (OUTPUT SHAFT SIDE) OF TRANSMISSION
 NOTE: SEE PAGE 6 FOR MANIFOLD DIMENSIONS NOT SHOWN

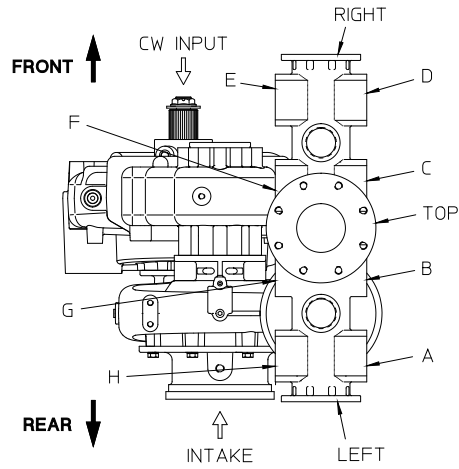
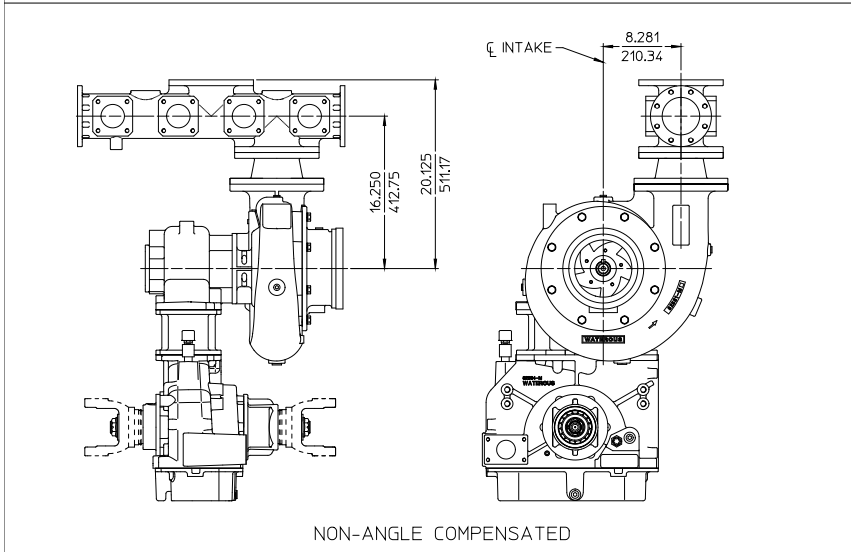
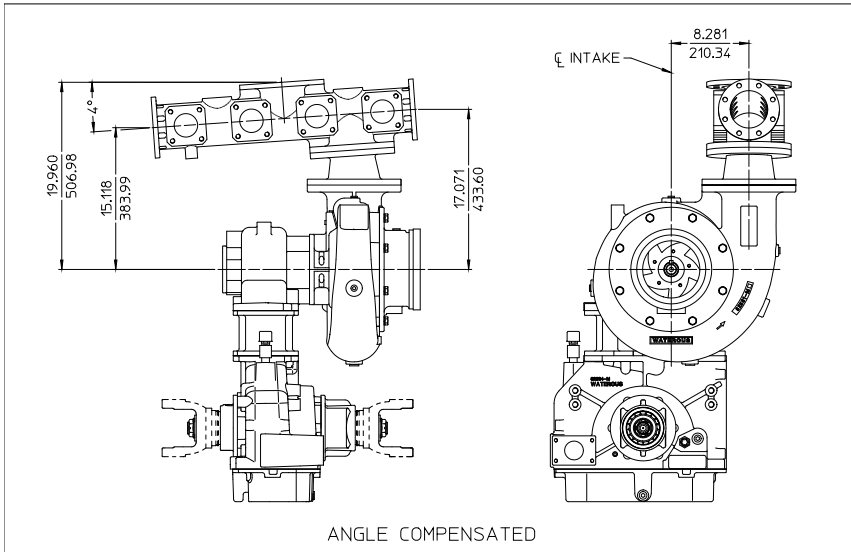


PAD	SIZE	SEE DETAIL ON PAGE 6
LEFT	4 IN. 8-BOLT	B
RIGHT	4 IN. 8-BOLT	B
TOP	4 IN. ANSI	A
A	2-1/2 IN. 4-BOLT	C
B	2-1/2 IN. 4-BOLT	C
C	2-1/2 IN. 4-BOLT	C
D	2-1/2 IN. 4-BOLT	C
E	2-1/2 IN. 4-BOLT	C
F	2-1/2 IN. 4-BOLT	C
G	2-1/2 IN. 4-BOLT	C
H	2-1/2 IN. 4-BOLT	C

MANIFOLD PADS

MANIFOLD MOUNTED PARALLEL TO INTAKE
MODEL S100C20

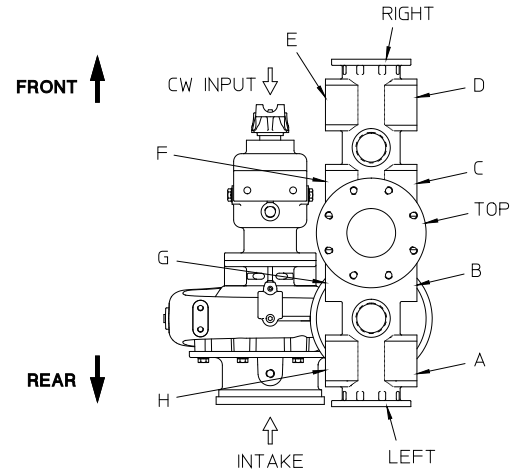
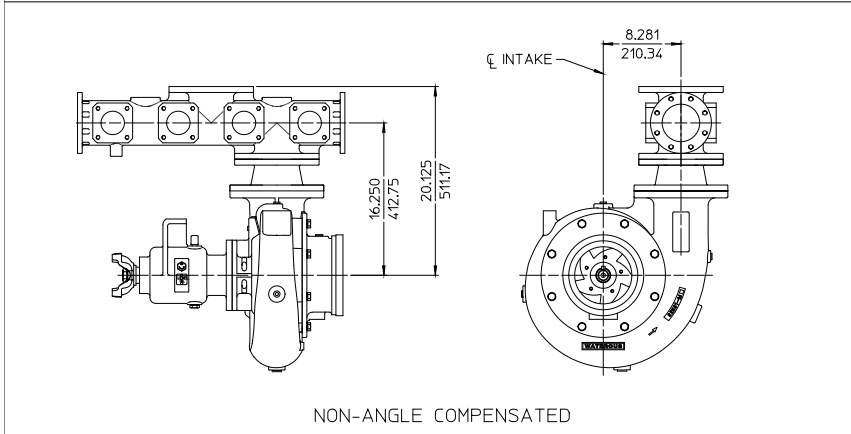
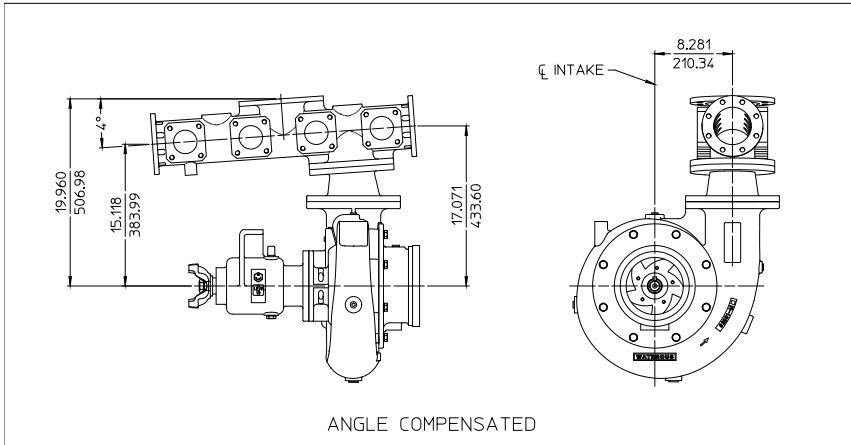
PUMP MOUNTED ON FRONT (INPUT SHAFT SIDE) OF TRANSMISSION
 NOTE: SEE PAGE 6 FOR MANIFOLD DIMENSIONS NOT SHOWN



PAD	SIZE	SEE DETAIL ON PAGE 6
LEFT	4 IN. 8-BOLT	B
RIGHT	4 IN. 8-BOLT	B
TOP	4 IN. ANSI	A
A	2-1/2 IN. 4-BOLT	C
B	2-1/2 IN. 4-BOLT	C
C	2-1/2 IN. 4-BOLT	C
D	2-1/2 IN. 4-BOLT	C
E	2-1/2 IN. 4-BOLT	C
F	2-1/2 IN. 4-BOLT	C
G	2-1/2 IN. 4-BOLT	C
H	2-1/2 IN. 4-BOLT	C

**MANIFOLD MOUNTED PARALLEL TO INTAKE
MODEL S100C20**

PUMP MOUNTED ON REAR (OUTPUT SHAFT SIDE) OF TRANSMISSION
NOTE: SEE PAGE 6 FOR MANIFOLD DIMENSIONS NOT SHOWN

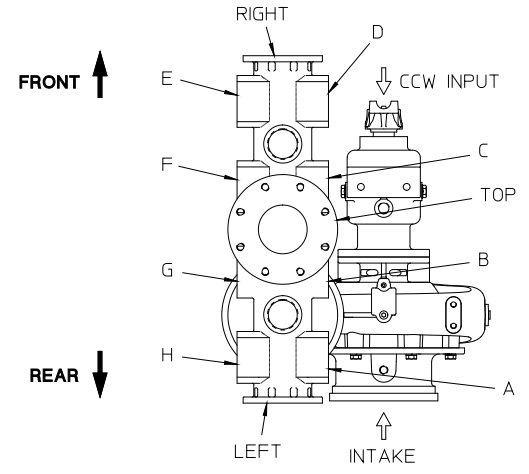
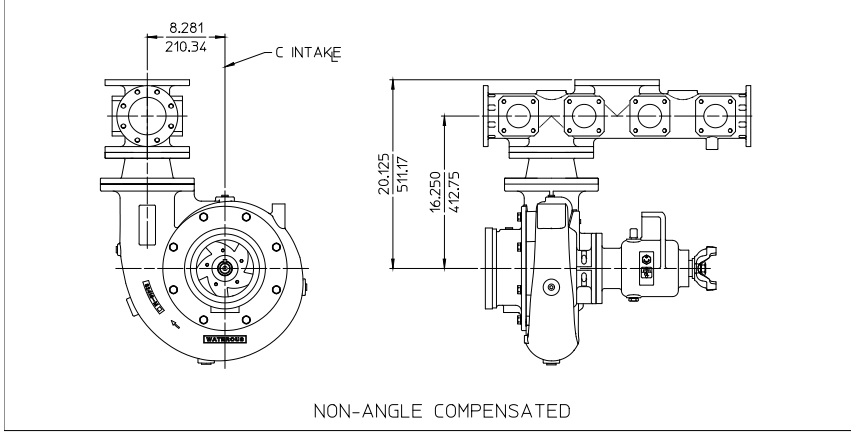
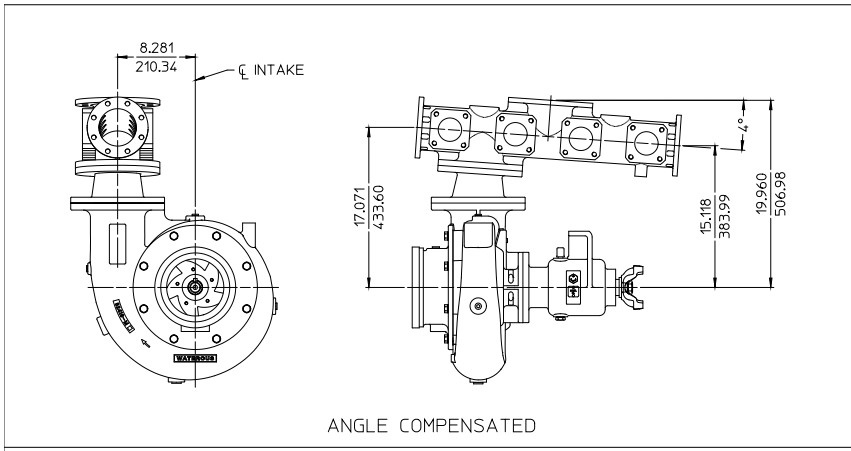


PAD	SIZE	SEE DETAIL ON PAGE 6
LEFT	4 IN. 8-BOLT	B
RIGHT	4 IN. 8-BOLT	B
TOP	4 IN. ANSI	A
A	2-1/2 IN. 4-BOLT	C
B	2-1/2 IN. 4-BOLT	C
C	2-1/2 IN. 4-BOLT	C
D	2-1/2 IN. 4-BOLT	C
E	2-1/2 IN. 4-BOLT	C
F	2-1/2 IN. 4-BOLT	C
G	2-1/2 IN. 4-BOLT	C
H	2-1/2 IN. 4-BOLT	C

MANIFOLD PADS

MANIFOLD MOUNTED PARALLEL TO INTAKE
MODEL S100D

CW INPUT
 NOTE: SEE PAGE 6 FOR MANIFOLD DIMENSIONS NOT SHOWN

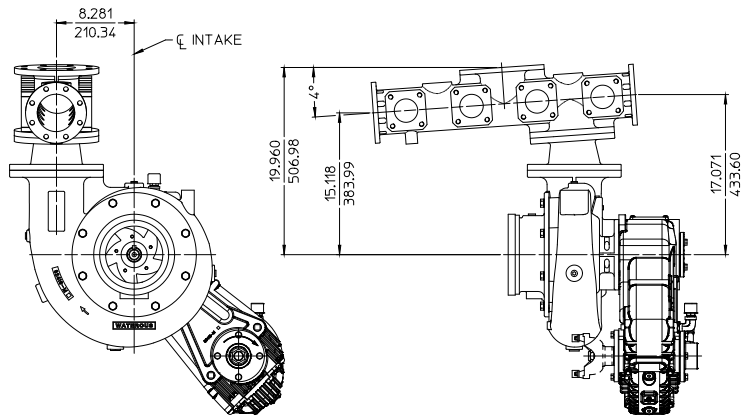


PAD	SIZE	SEE DETAIL ON PAGE 6
LEFT	4 IN. 8-BOLT	B
RIGHT	4 IN. 8-BOLT	B
TOP	4 IN. ANSI	A
A	2-1/2 IN. 4-BOLT	C
B	2-1/2 IN. 4-BOLT	C
C	2-1/2 IN. 4-BOLT	C
D	2-1/2 IN. 4-BOLT	C
E	2-1/2 IN. 4-BOLT	C
F	2-1/2 IN. 4-BOLT	C
G	2-1/2 IN. 4-BOLT	C
H	2-1/2 IN. 4-BOLT	C

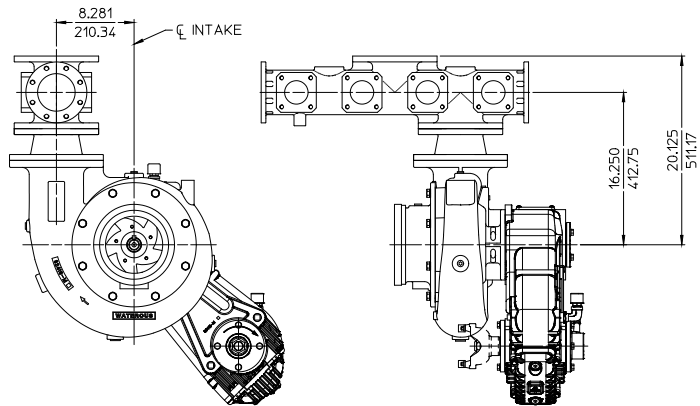
MANIFOLD PADS

MANIFOLD MOUNTED PARALLEL TO INTAKE
MODEL S100D

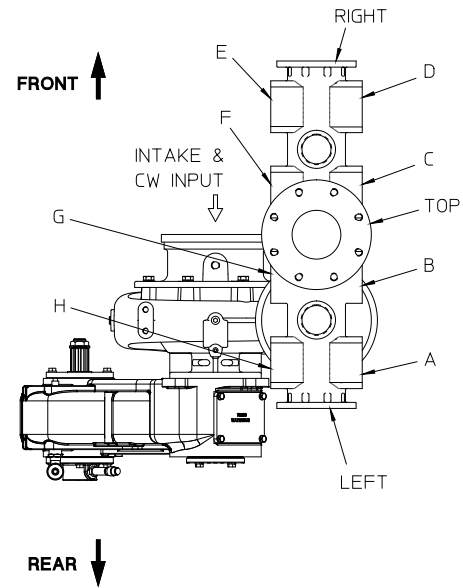
CCW INPUT
 NOTE: SEE PAGE 6 FOR MANIFOLD DIMENSIONS NOT SHOWN



ANGLE COMPENSATED



NON-ANGLE COMPENSATED

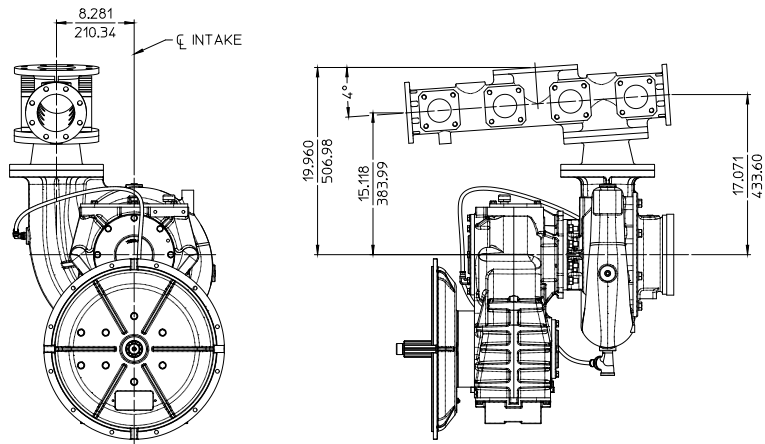


PAD	SIZE	SEE DETAIL ON PAGE 6
LEFT	4 IN. 8-BOLT	B
RIGHT	4 IN. 8-BOLT	B
TOP	4 IN. ANSI	A
A	2-1/2 IN. 4-BOLT	C
B	2-1/2 IN. 4-BOLT	C
C	2-1/2 IN. 4-BOLT	C
D	2-1/2 IN. 4-BOLT	C
E	2-1/2 IN. 4-BOLT	C
F	2-1/2 IN. 4-BOLT	C
G	2-1/2 IN. 4-BOLT	C
H	2-1/2 IN. 4-BOLT	C

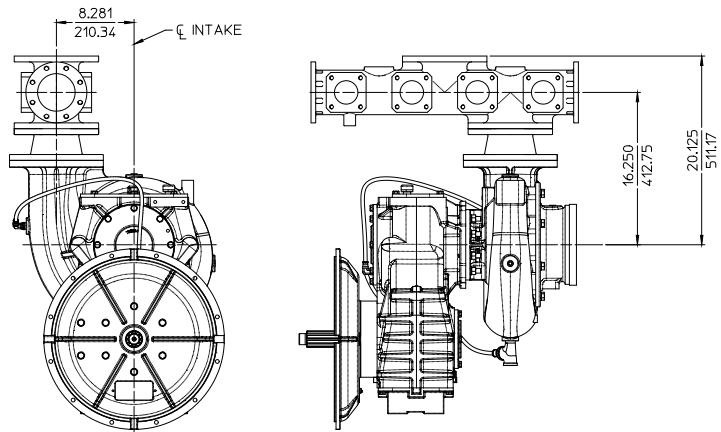
MANIFOLD PADS

MANIFOLD MOUNTED PARALLEL TO INTAKE
MODEL S100PA

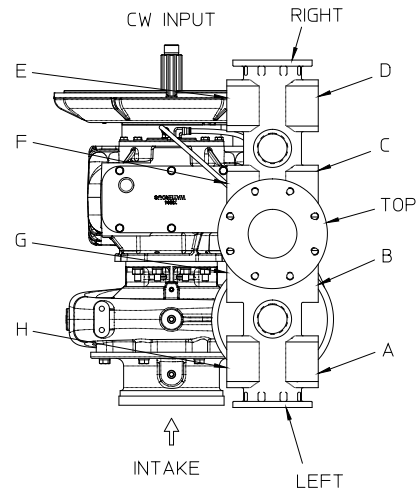
PUMP MOUNTED ON FRONT (INPUT SHAFT SIDE) OF TRANSMISSION
 NOTE: SEE PAGE 6 FOR MANIFOLD DIMENSIONS NOT SHOWN



ANGLE COMPENSATED



NON-ANGLE COMPENSATED



PAD	SIZE	SEE DETAIL ON PAGE 6
LEFT	4 IN. 8-BOLT	B
RIGHT	4 IN. 8-BOLT	B
TOP	4 IN. ANSI	A
A	2-1/2 IN. 4-BOLT	C
B	2-1/2 IN. 4-BOLT	C
C	2-1/2 IN. 4-BOLT	C
D	2-1/2 IN. 4-BOLT	C
E	2-1/2 IN. 4-BOLT	C
F	2-1/2 IN. 4-BOLT	C
G	2-1/2 IN. 4-BOLT	C
H	2-1/2 IN. 4-BOLT	C

MANIFOLD PADS

MANIFOLD MOUNTED PARALLEL TO INTAKE
MODEL S100QC

DIRECT ENGINE MOUNTED, VERTICAL CASE
 PUMP MOUNTED ON REAR (OUTPUT SHAFT SIDE) OF TRANSMISSION
 NOTE: SEE PAGE 6 FOR MANIFOLD DIMENSIONS NOT SHOWN