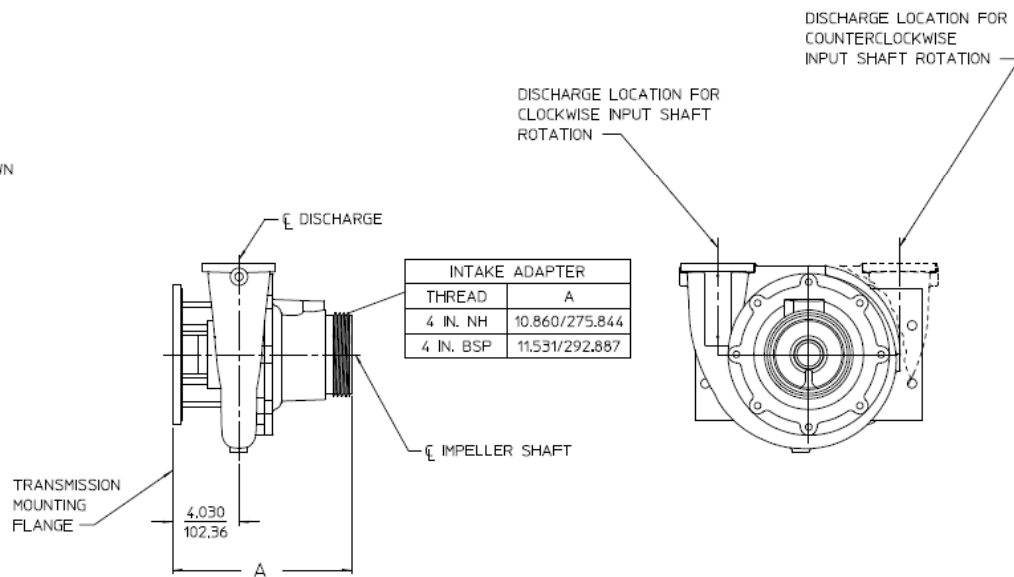
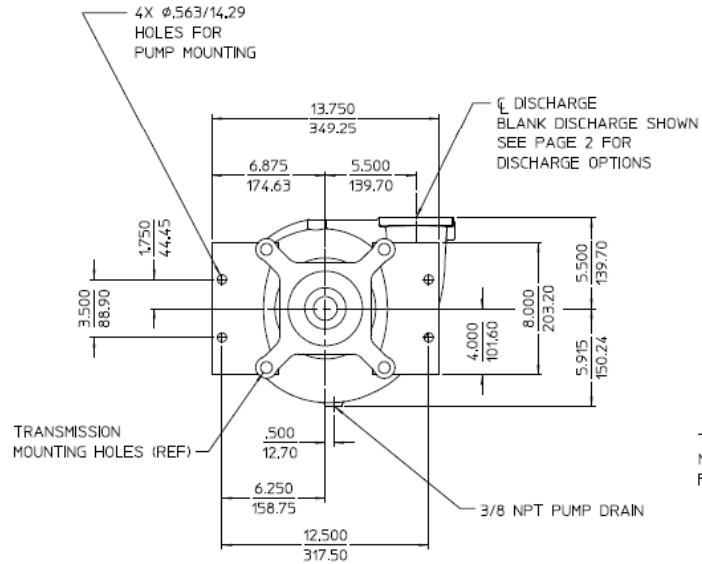
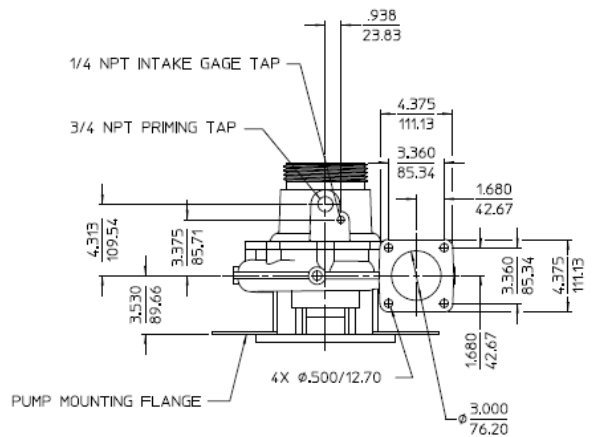


## Dimensional Drawings for CLR Series Fire Pumps

Basic Pump			Drive		Pump Model	See Page					
Series	Intake		Transmission Model	Input Rotation (1)		Basic Pump Dimensions	Pump and Transmission	Optional			Ordering Info
	Type	Size						Discharge Fittings	Pump Discharge Positions	Transmission Mounting Positions	
CLR	Threaded	4 in. NH or 4 in. BSP	<b>K Series</b> Two Gear Increaser (No Clutch)	CW or CCW	CLRK	2	3	6	7	8	9
			<b>T Series</b> Two Gear Increaser Direct Engine Mount	CW or CCW	CLRT	2	4				
			<b>PA Series</b> PTO Driven, Chain Drive	CW	CLRPA	2	5				

**Note:**

1. Input rotation is viewed looking directly at the transmission input shaft.



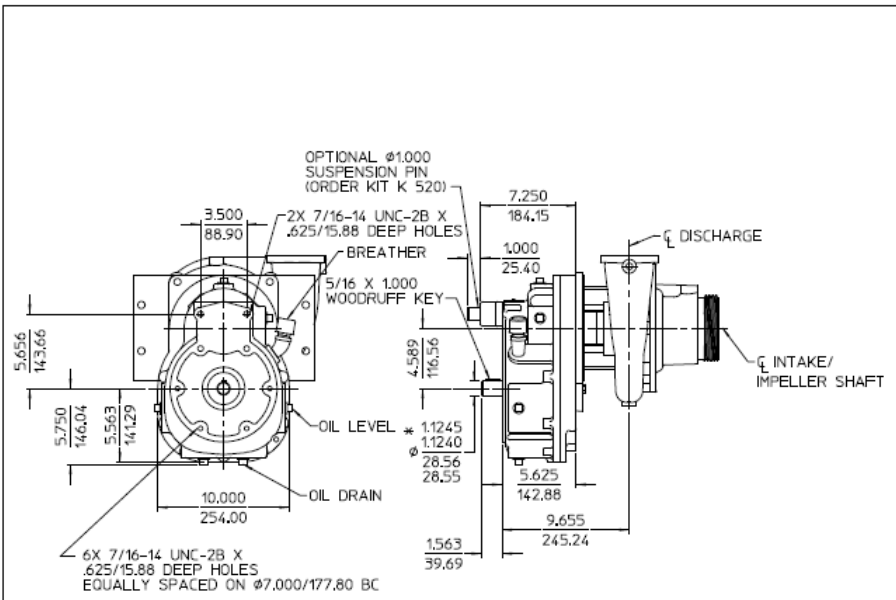
ALL DIMENSIONS SHOWN AS INCH/MILLIMETER

$\left( \frac{\text{INCH}}{\text{MILLIMETER}} \right)$

**MODEL CLR, 4 INCH THREADED INTAKE ADAPTER**

BASIC PUMP DIMENSIONS

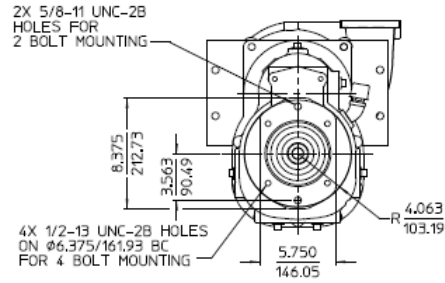
SEE PAGE 6 FOR OPTIONAL DISCHARGE  
SEE PAGE 3, 4 AND 5 FOR AVAILABLE TRANSMISSIONS  
SEE PAGE 7 FOR AVAILABLE DISCHARGE POSITIONS



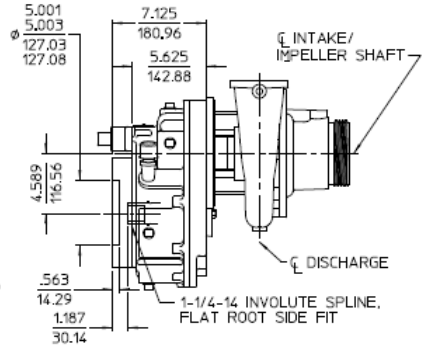
\* OPTIONAL HYDRAULIC FLANGE AVAILABLE. SEE DETAIL AT RIGHT

1-1/8 INCH KEYED INPUT

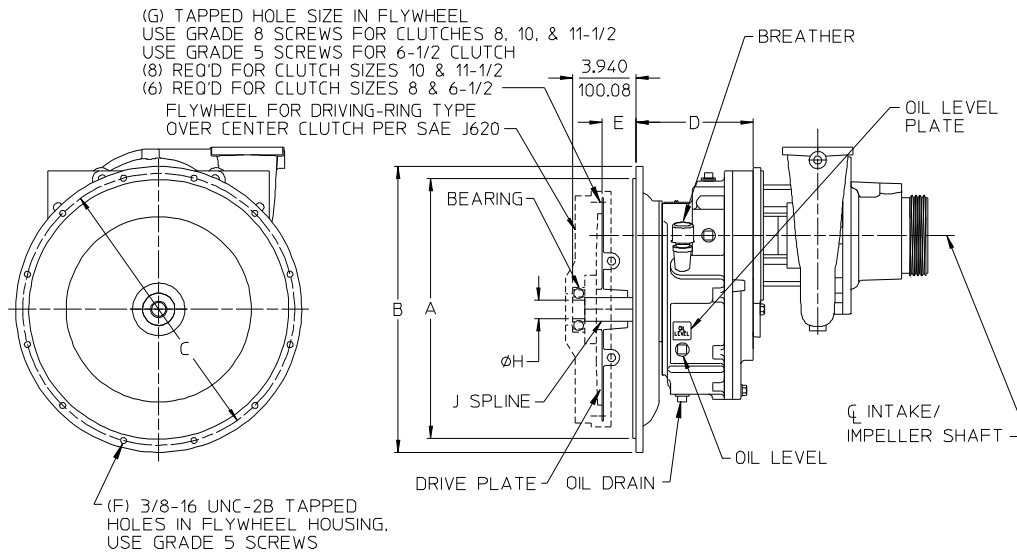
**MEDIUM DUTY K TRANSMISSION  
MODEL CLRK**  
(TWO GEAR WITHOUT CLUTCH)  
CLOCKWISE OR COUNTERCLOCKWISE INPUT  
SEE PAGE 8 FOR AVAILABLE MOUNTING POSITIONS  
SEE PAGE 2 FOR BASIC PUMP DIMENSIONS



OPTIONAL SAE CLASS "C" 2 OR 4 BOLT  
HYDRAULIC PUMP FLANGE INPUT



ALL DIMENSIONS SHOWN AS INCH/MILLIMETER  
( INCH / MILLIMETER )



ALL DIMENSIONS SHOWN AS INCH/MILLIMETER

( $\frac{\text{INCH}}{\text{MILLIMETER}}$ )

SAE BELLHOUSING					D	SAE FLYWHEEL			DRIVE PLATE		DRIVE SHAFT	
SIZE	A	B	C	F		CLUTCH NUMBER	E	G	PART NUMBER	TORQUE RATING	H	J
3	16.125/409.58	17.750/450.85	16.875/428.63	12	7.250/184.15	10	2.12/53.85	3/8-16	V 2272	850 FT-LB	Ø 1.1805/1.1800 29.98/29.97	1-1/2-10 SAE
4	14.250/361.95	15.875/403.23	15.000/381.00						V 2461	425 FT-LB		
3	16.125/409.58	17.750/450.85	16.875/428.63						V 2852	N/A		
4	14.250/361.95	15.875/403.23	15.000/381.00			8	2.44/61.97					
5	12.375/314.33	14.000/355.60	13.125/333.38	8	6.250/158.75	6-1/2	1.19/30.23	5/16-18	V 2865	N/A	Ø .7868/.7858 19.98/19.96	1-15T INVOLUTE

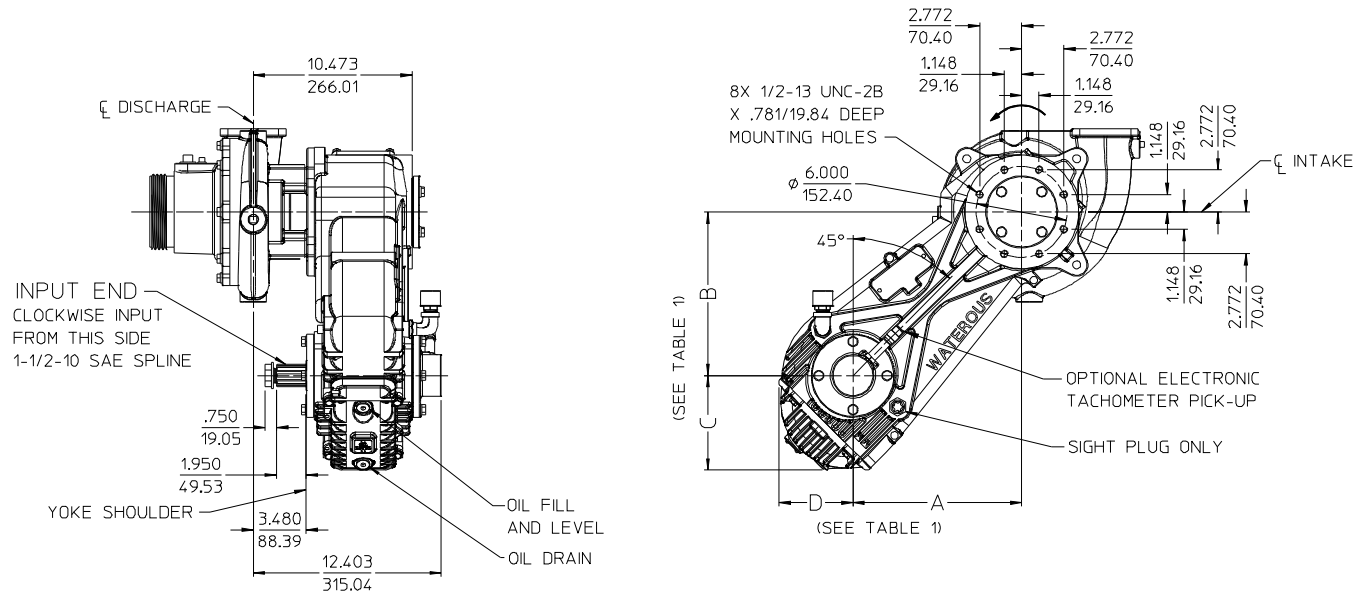
**MEDIUM DUTY T TRANSMISSION**  
**MODEL CLRT**

(TWO GEAR WITHOUT CLUTCH)  
 CLOCKWISE OR COUNTERCLOCKWISE INPUT  
 SEE PAGE 8 FOR AVAILABLE MOUNTING POSITIONS  
 SEE PAGE 2 FOR BASIC PUMP DIMENSIONS

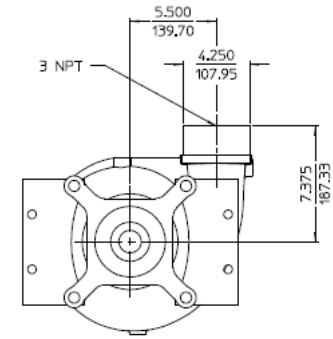
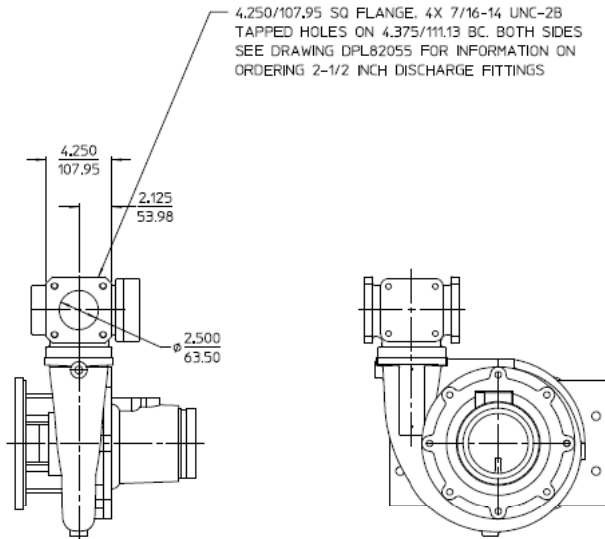
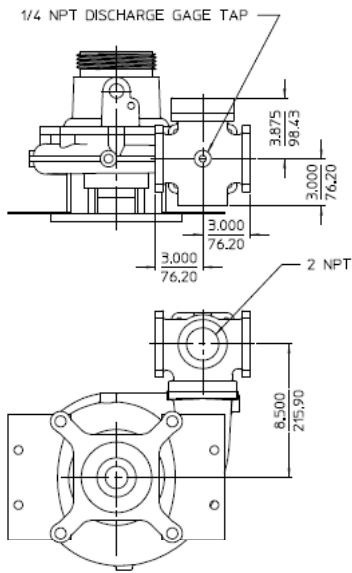
TABLE 1 - AVAILABLE AS FOLLOWS							
DRIVE LINE		RATIO	DIM A	DIM B	DIM C	DIM D	MODEL
SIZE	SPLINE						
1-1/2 INCH	1-1/2-10 SAE	1.70	11.288/286.71	10.943/277.94	6.111/155.22	4.737/120.32	CLRPA
		1.90	11.269/286.24	10.924/277.47	6.130/155.70	4.755/120.79	
		2.10	11.239/285.46	10.894/276.70	6.160/156.46	4.786/121.56	

ALL DIMENSIONS SHOWN AS INCH/MILLIMETER

( $\frac{\text{INCH}}{\text{MILLIMETER}}$ )

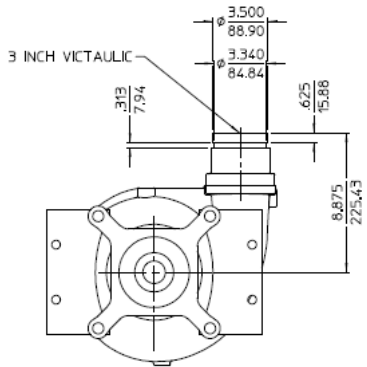


**PA SERIES TRANSMISSION**  
**MODEL CLRPA**



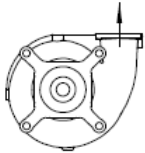
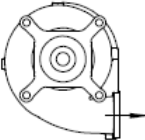
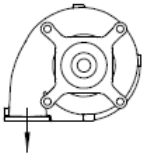
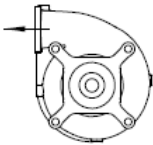
OPTIONAL PUMP DISCHARGE HEAD

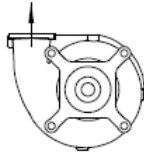
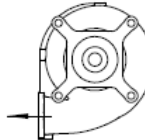
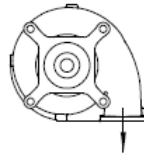
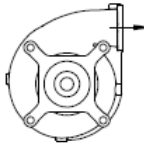
OPTIONAL 3 INCH NPT  
TAPPED FLANGE  
ON DISCHARGE



OPTIONAL 3 INCH  
VICTAULIC FLANGE  
ON DISCHARGE

ALL DIMENSIONS SHOWN  
AS INCH/MILLIMETER  
( INCH  
MILLIMETER )

DISCHARGE POSITION		AVAILABLE WITH TRANSMISSION SERIES			
		K	PA		T
			VERTICAL	LEFT SIDE	
FIGURE 1 (UP)		YES	YES	YES	YES
FIGURE 2 (RIGHT)		YES	YES	NO	YES
FIGURE 3 (DOWN)		YES	YES	NO	YES
FIGURE 4 (LEFT)		YES	YES	NO	YES
CLOCKWISE (CW) INPUT ROTATION					

DISCHARGE POSITION		AVAILABLE WITH TRANSMISSION SERIES	
		K	T
		FIGURE 5 (UP)	
FIGURE 6 (LEFT)		YES	YES
FIGURE 7 (DOWN)		YES	YES
FIGURE 8 (RIGHT)		YES	YES
COUNTERCLOCKWISE (CCW) INPUT ROTATION			

AVAILABLE PUMP DISCHARGE POSITIONS  
(AS VIEWED FROM TRANSMISSION END OF PUMP)

TRANS SERIES	AVAILABLE MOUNTING POSITIONS			
	V-VERTICAL	L-LEFT SIDE	R-RIGHT SIDE	U-INVERTED
K				
T		NOT AVAILABLE	NOT AVAILABLE	
PA			NOT AVAILABLE	NOT AVAILABLE

AVAILABLE TRANSMISSION MOUNTING POSITIONS

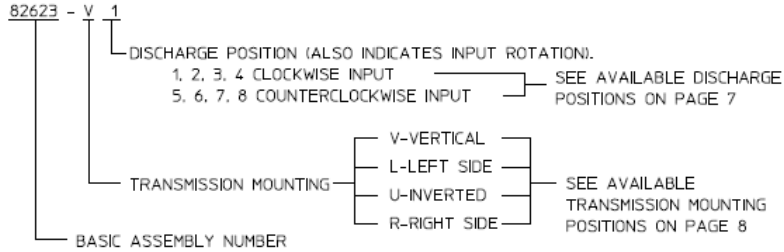
(AS VIEWED FROM TRANSMISSION INPUT SHAFT)



ORDERING INFORMATION:

WHEN ORDERING SUPPLY THE FOLLOWING

1. COMPLETE PUMP / TRANSMISSION MODEL:  
CLRK OR CLRT
2. THREAD TYPE 4 IN. NH OR 4 IN. BSP
3. BASIC ASSEMBLY NUMBER 82623.
4. SUFFIX LETTERS WHICH INDICATE TRANSMISSION MOUNTING POSITION AND DISCHARGE POSITION.

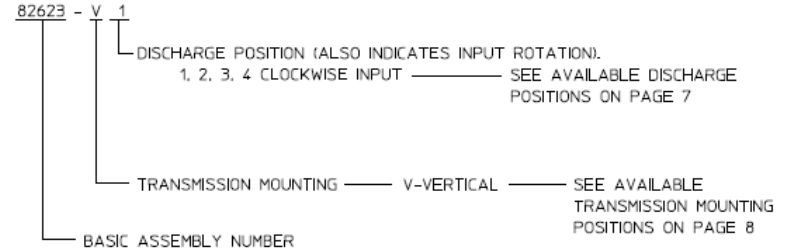


CLRK OR CLRT PUMP MODELS

ORDERING INFORMATION:

WHEN ORDERING SUPPLY THE FOLLOWING

1. COMPLETE PUMP / TRANSMISSION MODEL:  
CLRPA
2. THREAD TYPE 4 IN. NH OR 4 IN. BSP
3. BASIC ASSEMBLY NUMBER 82623.
4. SUFFIX LETTERS WHICH INDICATE TRANSMISSION MOUNTING POSITION AND DISCHARGE POSITION.



CLRPA PUMP MODELS

ORDERING INFORMATION