

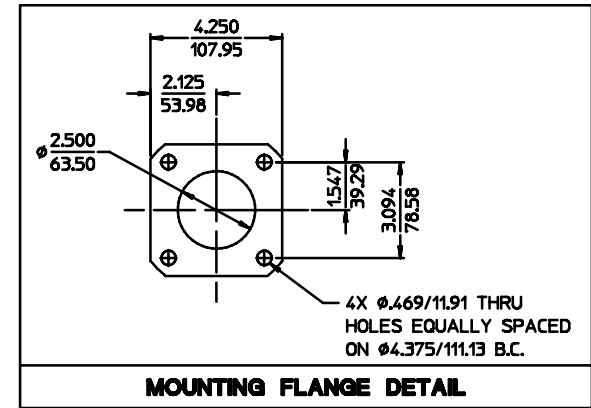
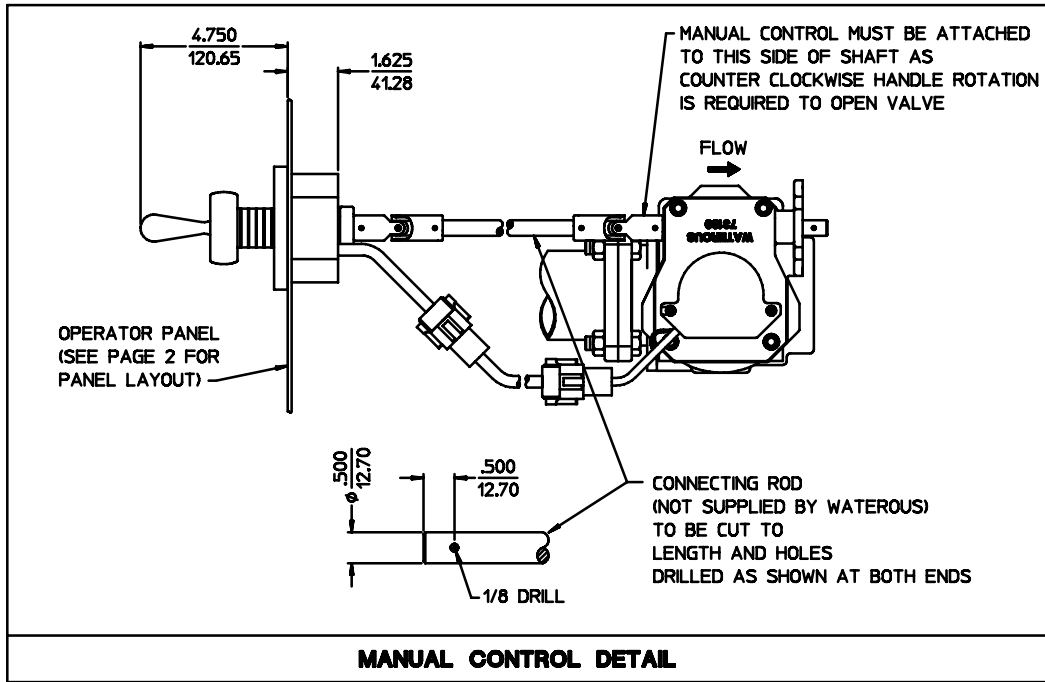


Document Number	Issue Date	Rev. Date
<b>DPL82737</b>	<b>02/25/03</b>	<b>03/01/11</b>

## 2-1/2" Full Flow Discharge Valve with Manual Rotary Actuator (82619) Dimensional Drawings

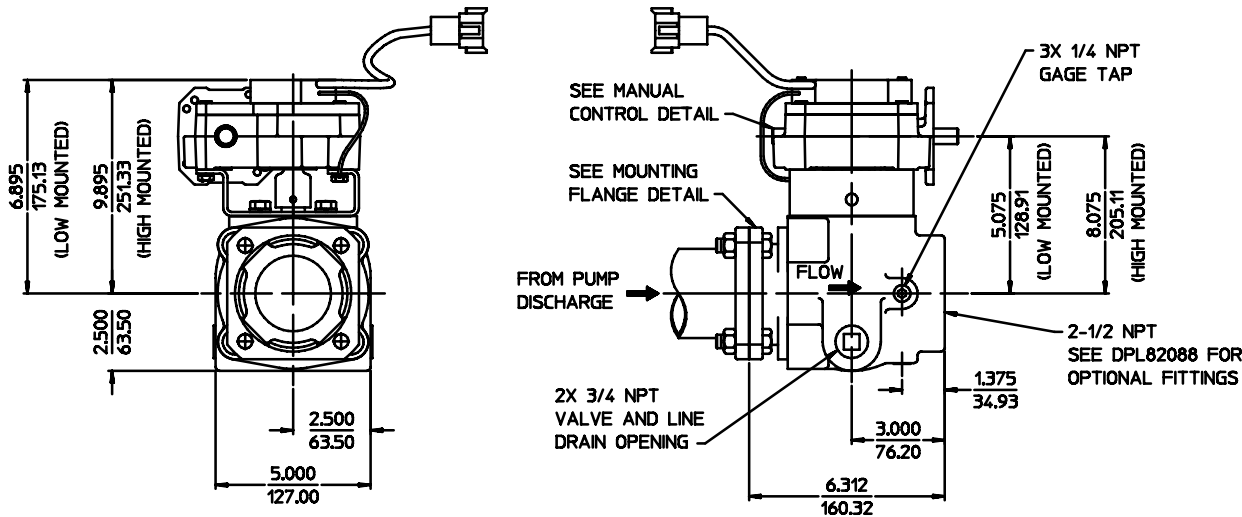
### Contents:

Item	See Page
2-1/2 Full Flow Discharge Valve with Manual Rotary Actuator	2
Manual Panel Layout / Actuator Mounting Configurations	3
Typical Manual Discharge Valve Installation for Left (Drivers) Side Panel	4



NOTE: WIRING FURNISHED WITH VALVE IS 10 FEET LONG. IF LONGER WIRING IS NEEDED, ORDER 10 FOOT WIRE EXTENSION KIT K 1101.

- NOTES:  
 WHEN ORDERING SUPPLY THE FOLLOWING INFORMATION:  
 1. VALVE PART NUMBER 82619  
 2. SUFFIXES WHICH INDICATE ACTUATOR MOUNTING.  
 3. SEE DRAWING DPL82499 FOR DISCHARGE ADAPTER AND PIPE NIPPLE OPTIONS.



**2-1/2 FULL FLOW DISCHARGE VALVE WITH  
 MANUAL ROTARY ACTUATOR**

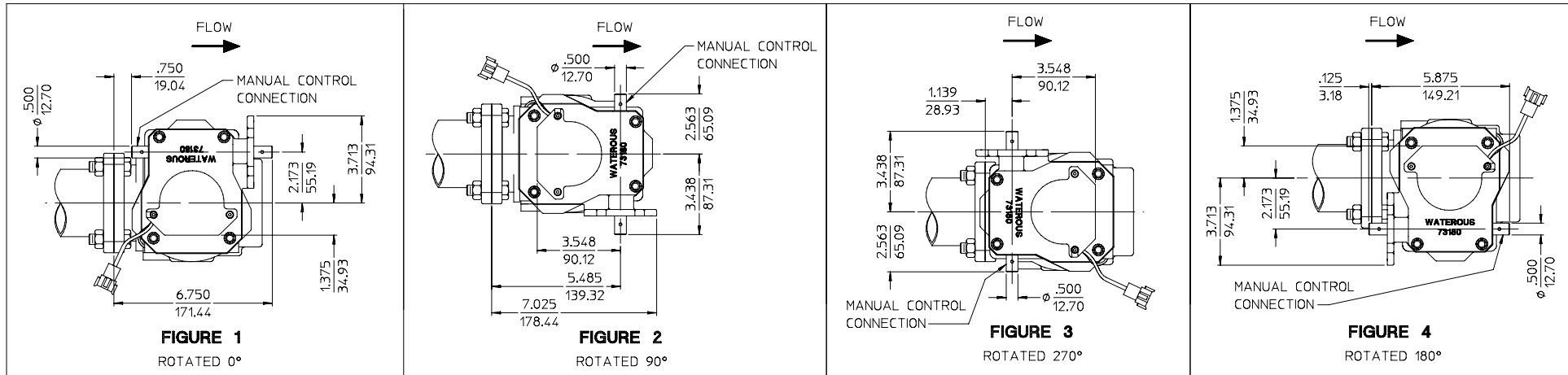
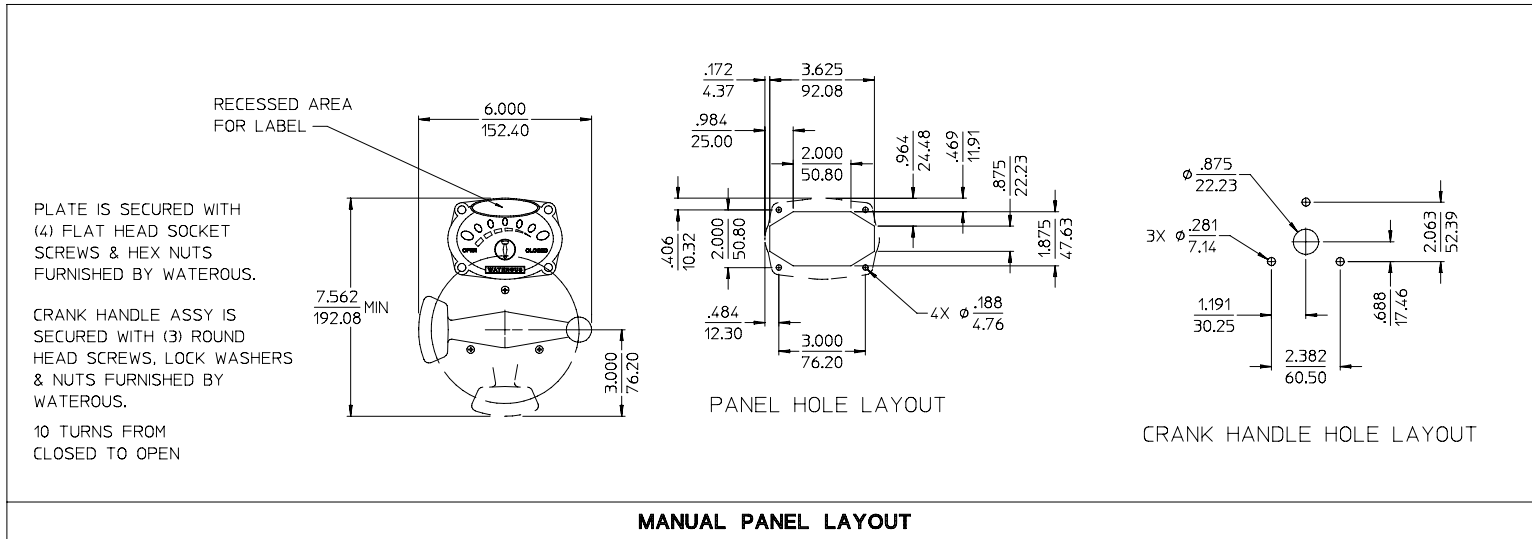
(FIGURE 1 SHOWN)

- 82619-2A (1)  
 ACTUATOR MOUNTING CONFIGURATION, FIGURE NUMBERS 1 THRU 4 AVAILABLE. FOR BOTH HIGH & LOW ACTUATOR MOUNTING OPTIONS, SEE PAGE 3 FOR DETAILS.
- ACTUATOR OPTIONS:  
 2A (12 VOLT, LOW MOUNTED)  
 2B (12 VOLT, HIGH MOUNTED)  
 2C (24 VOLT, LOW MOUNTED)  
 2D (24 VOLT, HIGH MOUNTED)

ALL DIMENSIONS SHOWN AS INCH/MILLIMETER

(  $\frac{\text{INCH}}{\text{MILLIMETER}}$  )

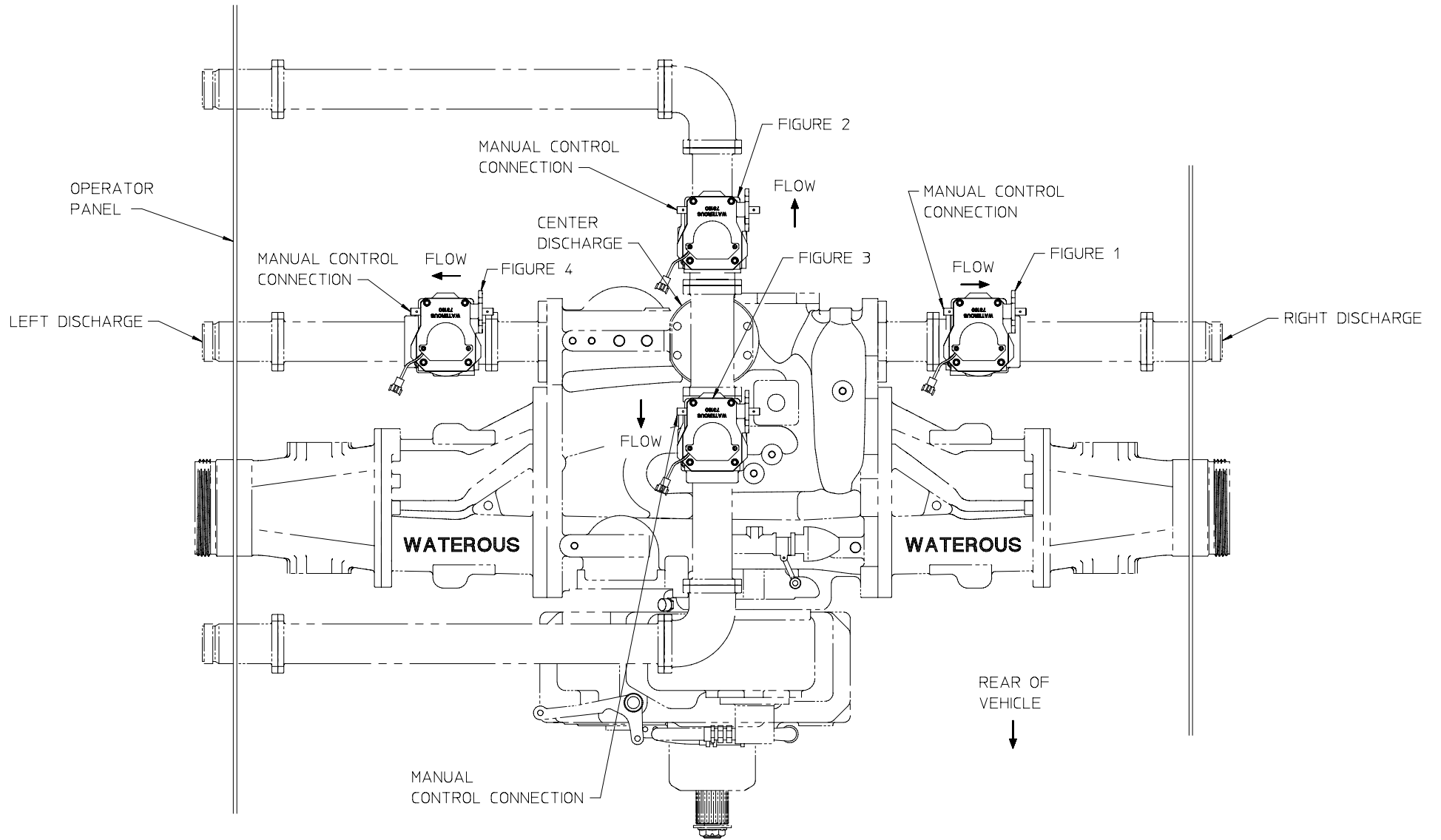
DISCHARGE VALVE WITH  
 MANUAL ROTARY ACTUATOR  
 DP182737  
 WATEROUS COMPANY  
 SOUTH ST. PAUL, MN 55075  
 PAGE 2 OF 4



(SEE PAGE 4 FOR TYPICAL VALVE INSTALLATION DIAGRAM)

ALL DIMENSIONS SHOWN AS INCH/MILLIMETER  
 ( INCH / MILLIMETER )

DISCHARGE VALVE WITH  
 MANUAL ROTARY ACTUATOR  
 DP182737  
 WATEROUS COMPANY  
 SOUTH ST. PAUL, MN 55075  
 PAGE 3 OF 4



**TYPICAL MANUAL DISCHARGE VALVE INSTALLATION  
FOR LEFT (DRIVERS) SIDE PANEL**

(ALL VALVES SHOWN ARE POSITIONED FOR COUNTER CLOCKWISE  
ROTATION WHEN MANUAL CONTROL IS USED TO OPEN VALVE)

DISCHARGE VALVE WITH  
MANUAL ROTARY ACTUATOR  
DP182737  
WATEROUS COMPANY  
SOUTH ST. PAUL, MN 55075  
PAGE 4 OF 4