

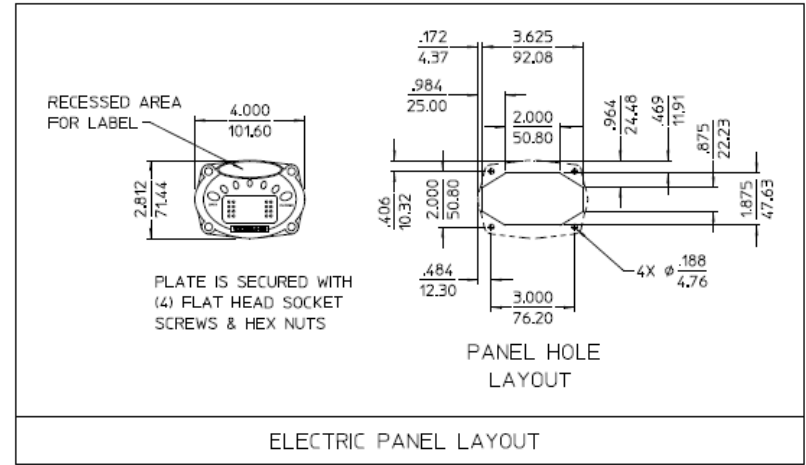
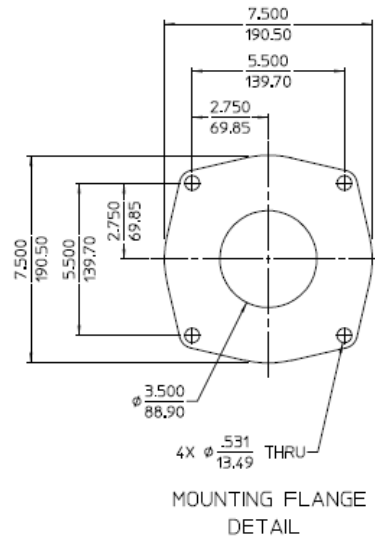
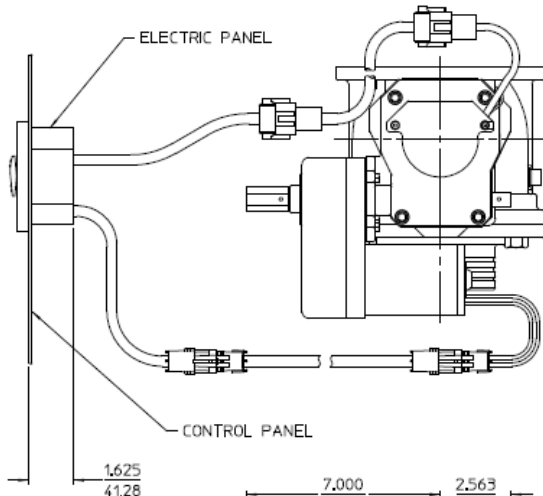


Document Number	Issue Date	Rev. Date
DPL82771	07/09/03	2/6/15

## Electric Tank to Pump Valve Dimensional Drawings Valve Part No. 83506

### Index:

Item	See Page
Valve Dimensions	2
Panel Controls	
Ordering Information	
Available Fittings	3

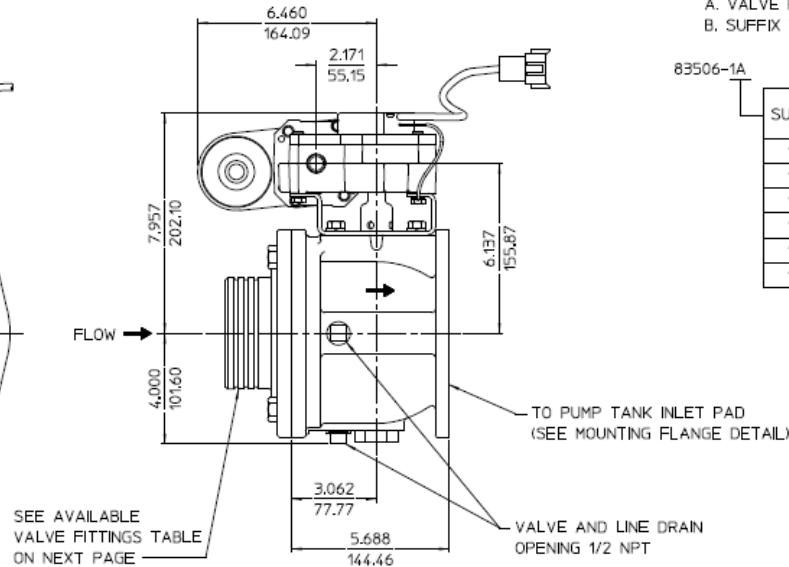
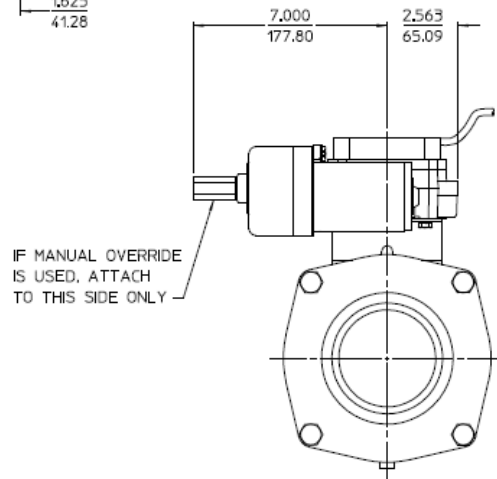


NOTES:

1. WIRING FURNISHED WITH VALVE IS 10 FEET LONG. IF LONGER WIRING IS NEEDED, ORDER 10 FOOT WIRE EXTENSION KIT K 1100.
2. WHEN ORDERING SUPPLY THE FOLLOWING INFORMATION:
  - A. VALVE PART NUMBER 83506
  - B. SUFFIX WHICH INDICATES MOTOR VOLTAGE AND FITTING.

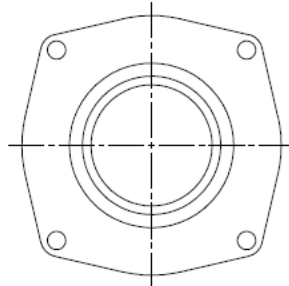
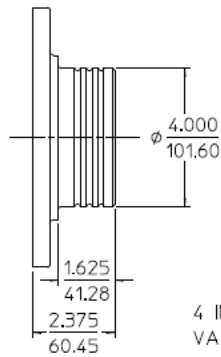
83506-1A

SUFFIX	MOTOR VOLTAGE	FITTING (SEE PAGE 3)
1A	12VDC	4 IN. O.D. NON-ANGLE COMPENSATED
1B	24VDC	4 IN. O.D. NON-ANGLE COMPENSATED
1C	12VDC	3-1/2 IN. O.D. ANGLE COMPENSATED
1D	24VDC	3-1/2 IN. O.D. ANGLE COMPENSATED
1E	12VDC	4 IN. O.D. ANGLE COMPENSATED
1F	24VDC	4 IN. O.D. ANGLE COMPENSATED

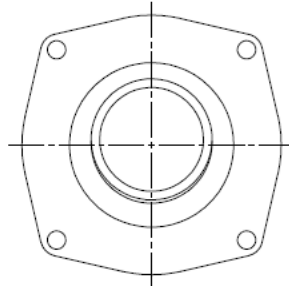
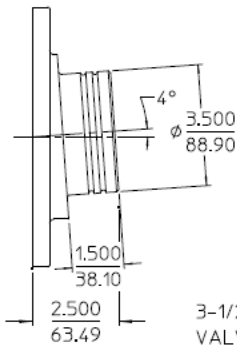


ALL DIMENSIONS SHOWN  
AS INCH/MILLIMETER  
( INCH  
MILLIMETER )

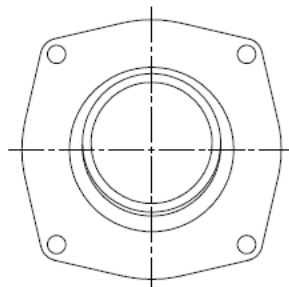
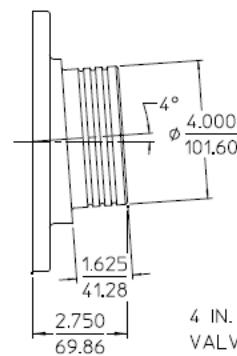
AVAILABLE VALVE FITTINGS



4 IN. O.D., NON-ANGLE COMPENSATED  
VALVE PART NO. 83506-1A OR 83506-1B



3-1/2 IN. O.D., ANGLE COMPENSATED  
VALVE PART NO. 83506-1C OR 83506-1D



4 IN. O.D., ANGLE COMPENSATED  
VALVE PART NO. 83506-1E OR 83506-1F

ALL DIMENSIONS SHOWN  
AS INCH/MILLIMETER

(  $\frac{\text{INCH}}{\text{MILLIMETER}}$  )