



Document Number DPL82843-3	Issue Date 12/14/11	Rev. Date 9/20/18
--------------------------------------	-------------------------------	-----------------------------

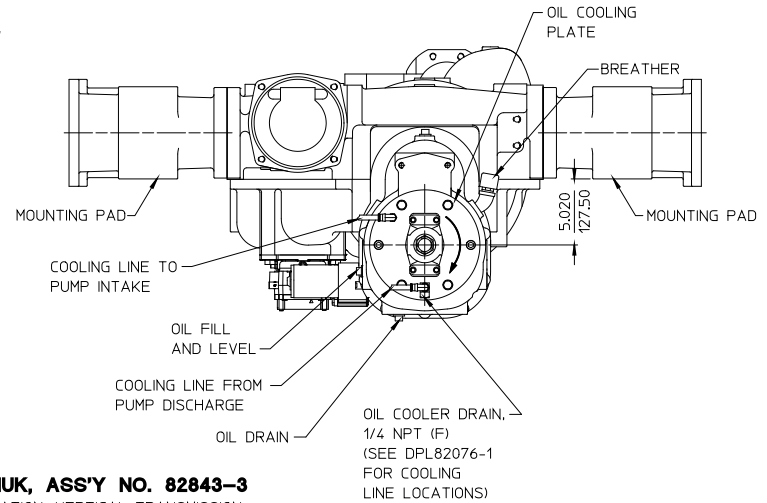
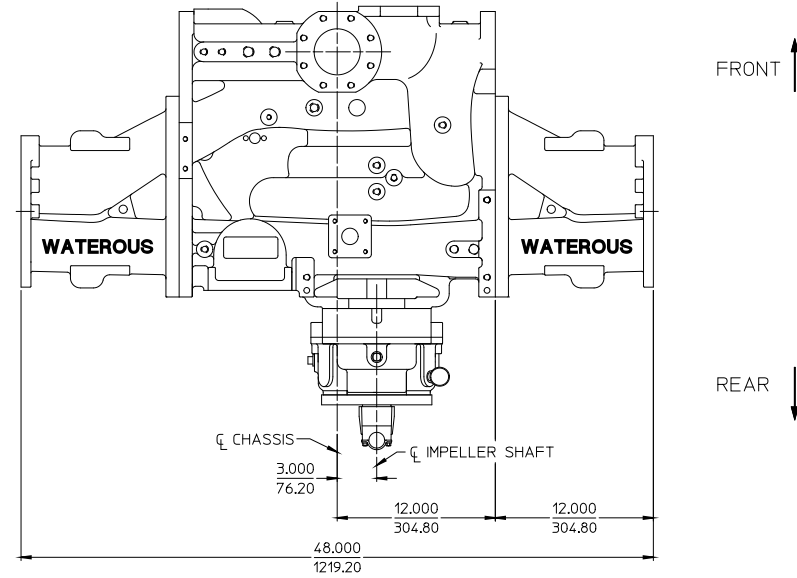
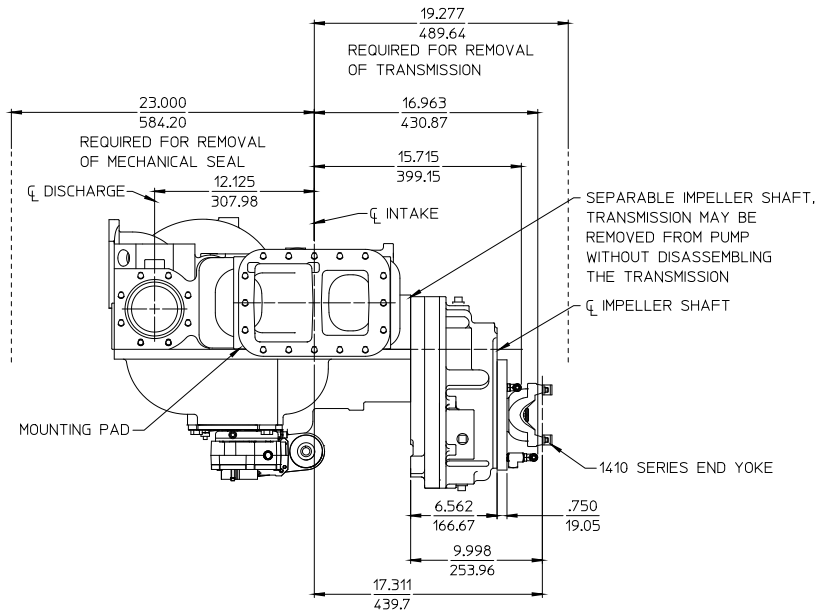
Model CMUK Fire Pump Dimensional Drawing

Pump Type	Pump Model	Assembly No.	Transmission			Mounting	See Page
			Model	Drive	Input Rotation		
Two Stage Series/Parallel	CMU	82843-3	K Series	Extra Heavy Duty Two Gear Increaser, PRO Drive	CW	Vertical	2
						Inverted	3

NOTES:

1. SEE DRAWING DPL82076-2 FOR ADDITIONAL TRANSMISSION DETAILS.
2. SEE DRAWINGS DPL82084-2 AND DPL82084-5 FOR PRESSURE CONTROL SYSTEMS.
3. FOR DIMENSIONS NOT SHOWN, SEE DPL82843.

ALL DIMENSIONS SHOWN AS INCH/MILLIMETER
(INCH / MILLIMETER)

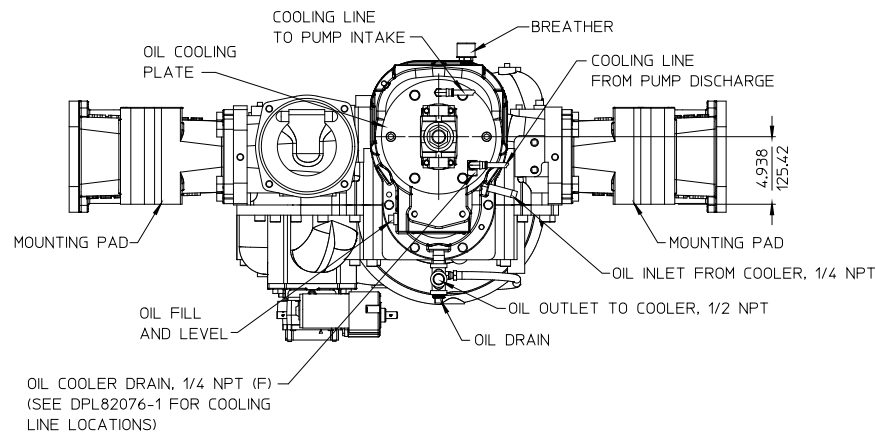
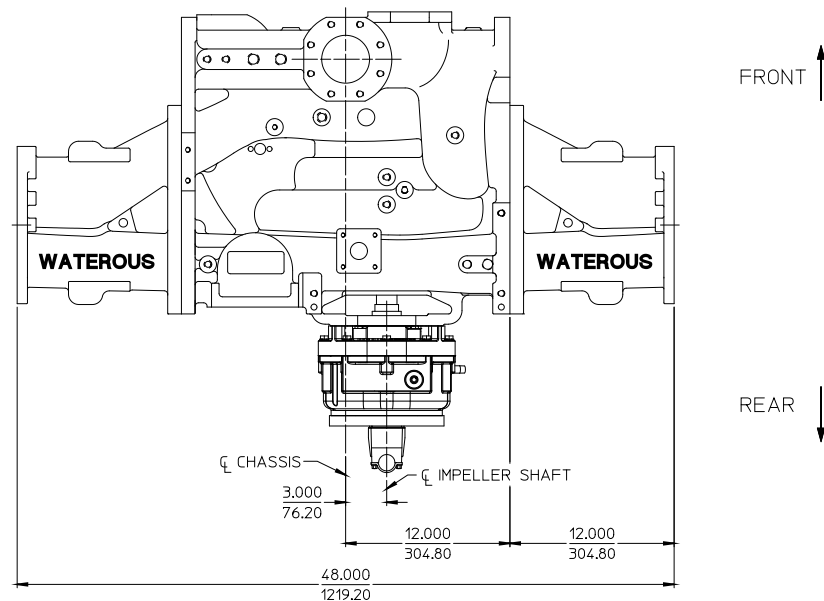
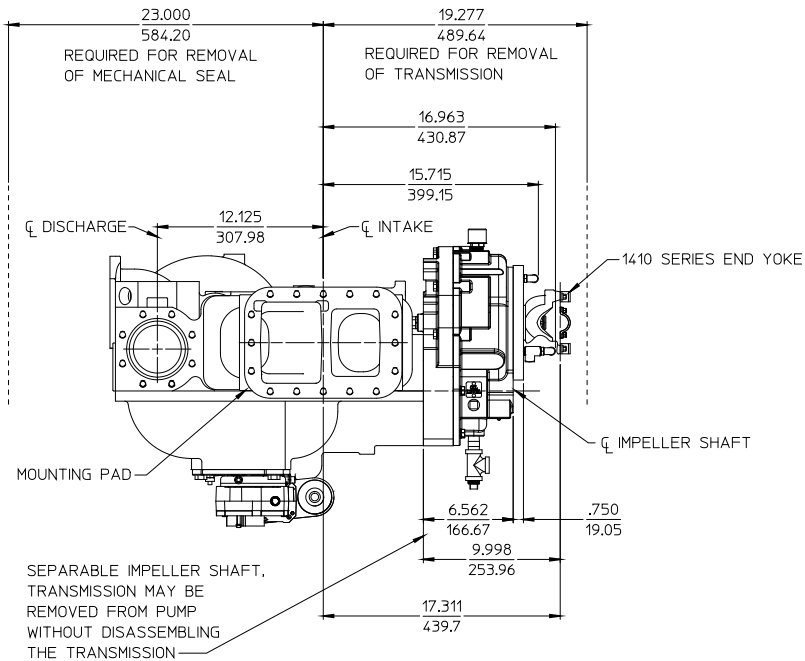


MODEL CMUK, ASS'Y NO. 82843-3
CW INPUT ROTATION, VERTICAL TRANSMISSION

NOTES:

1. SEE DRAWING DPL82076-2 FOR ADDITIONAL TRANSMISSION DETAILS.
2. SEE DRAWINGS DPL82084-2 AND DPL82084-5 FOR PRESSURE CONTROL SYSTEMS.
3. FOR DIMENSIONS NOT SHOWN, SEE DPL82843.

ALL DIMENSIONS SHOWN AS INCH/MILLIMETER
(INCH / MILLIMETER)



MODEL CMUK, ASS'Y NO. 82843-3

CW INPUT ROTATION, INVERTED TRANSMISSION