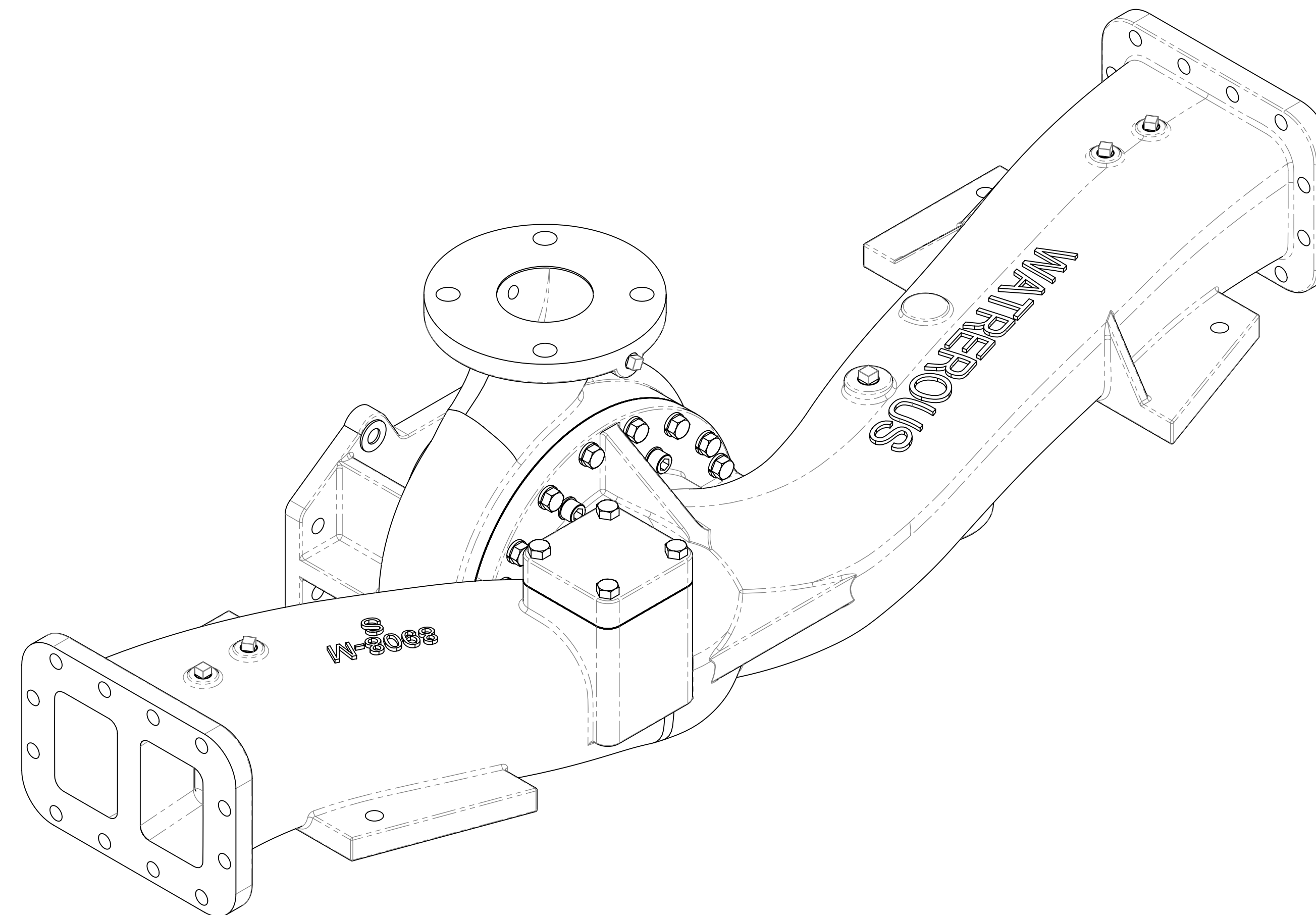


CGVG Series Fire Pump Dimensional Drawings

Feature	See Page
Basic Pump Body Dimensions without Transmission	3
Optional 4 in. Victaulic Discharge Fitting	
Pump with Transmission	See Table on Page 2

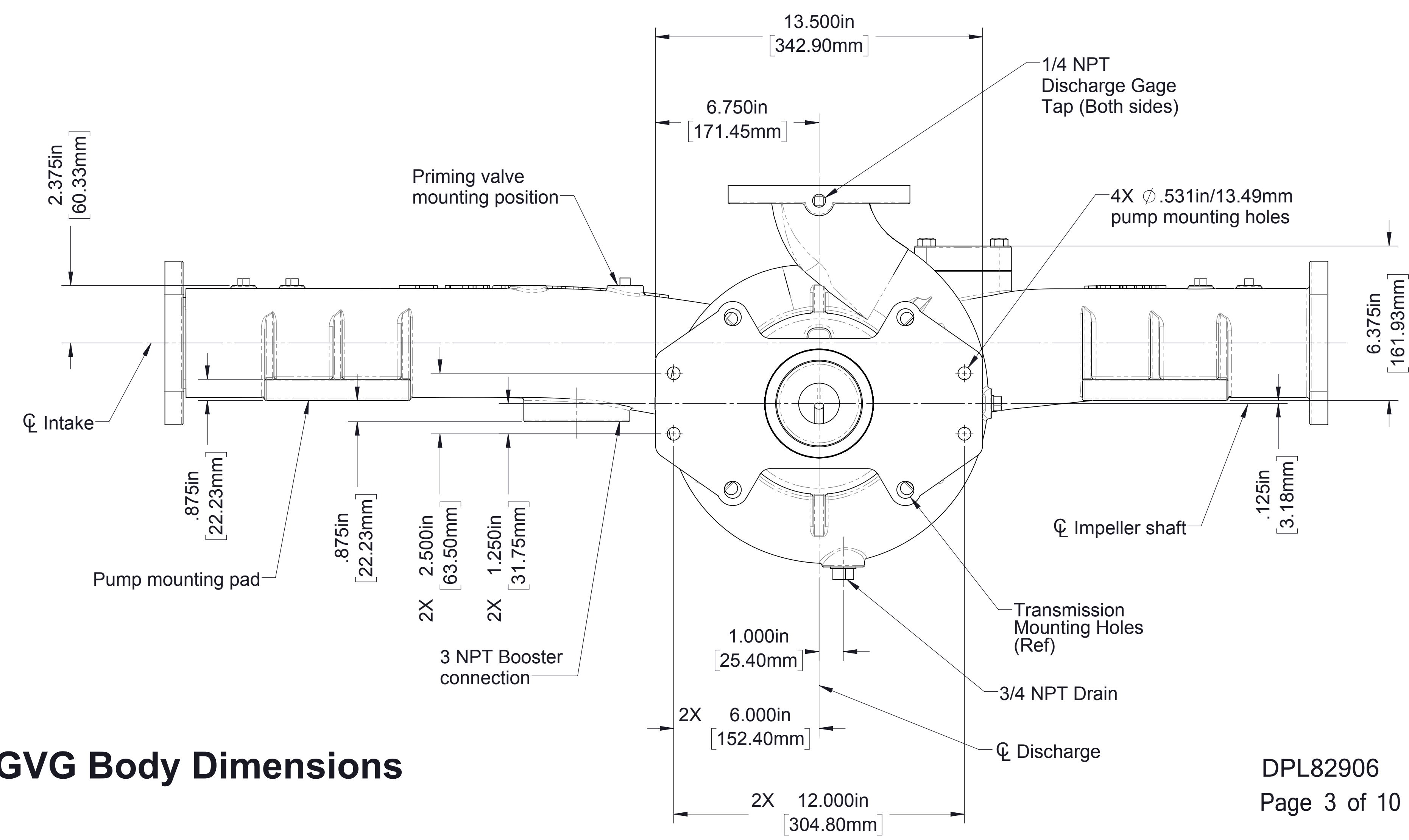
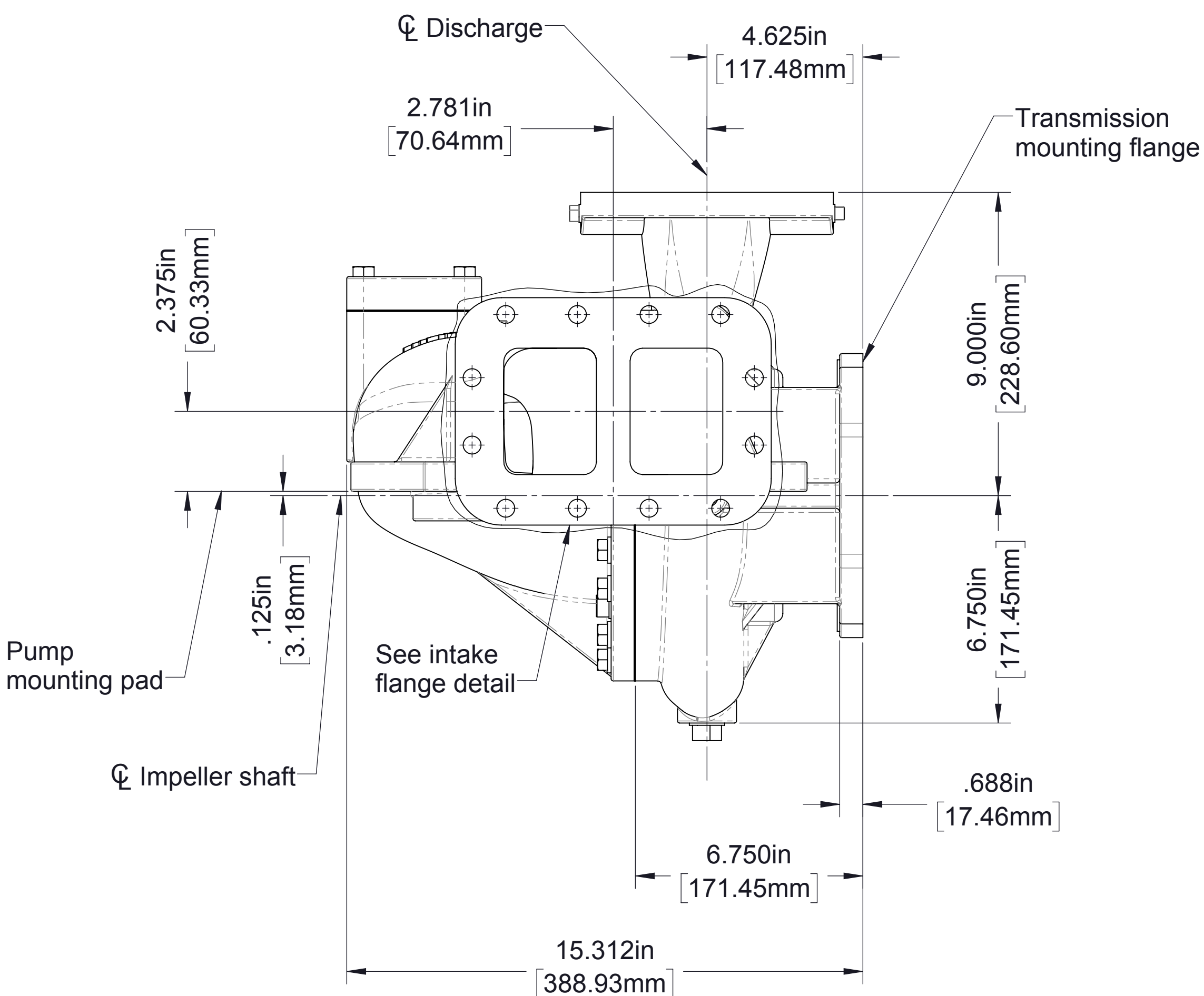
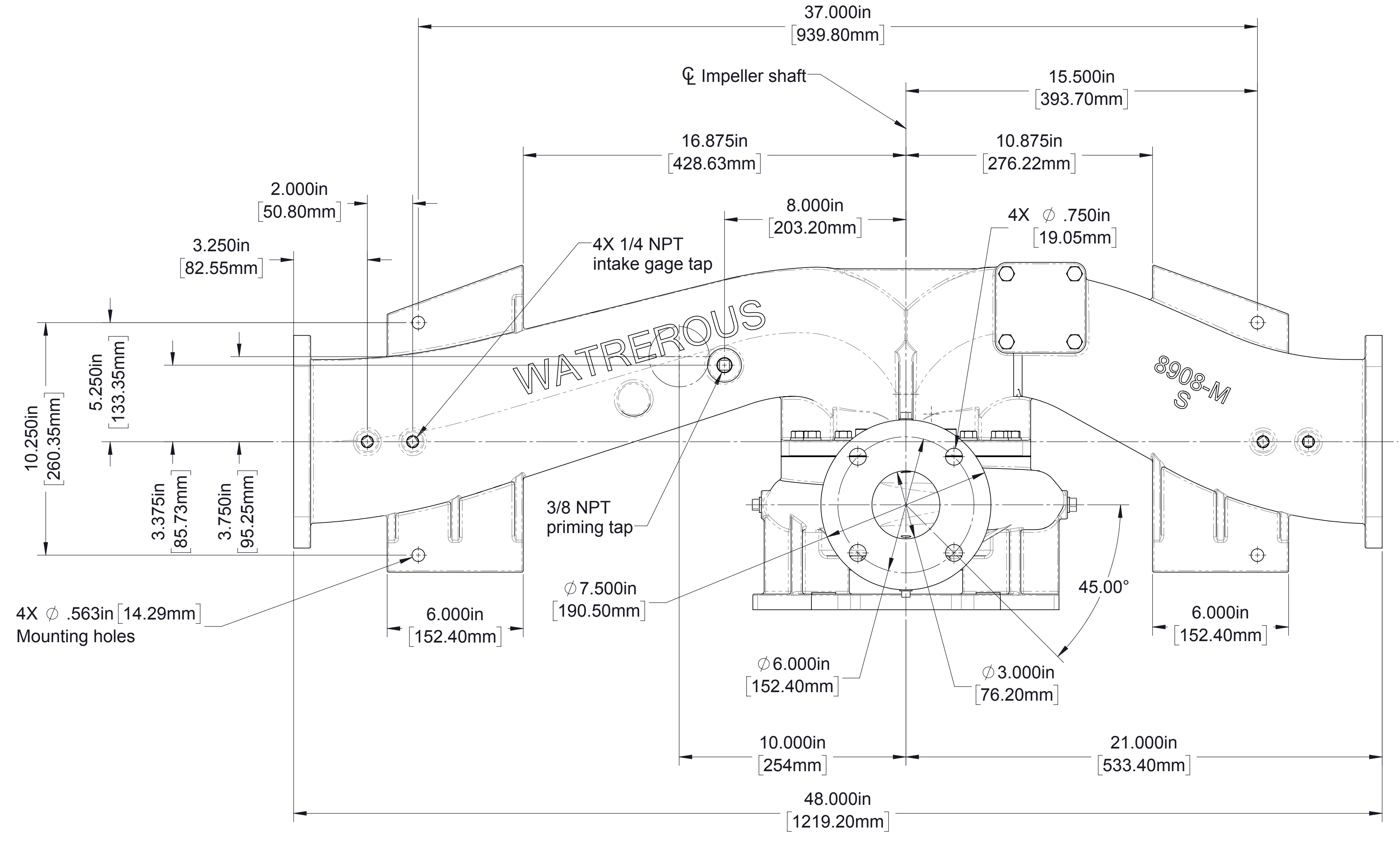
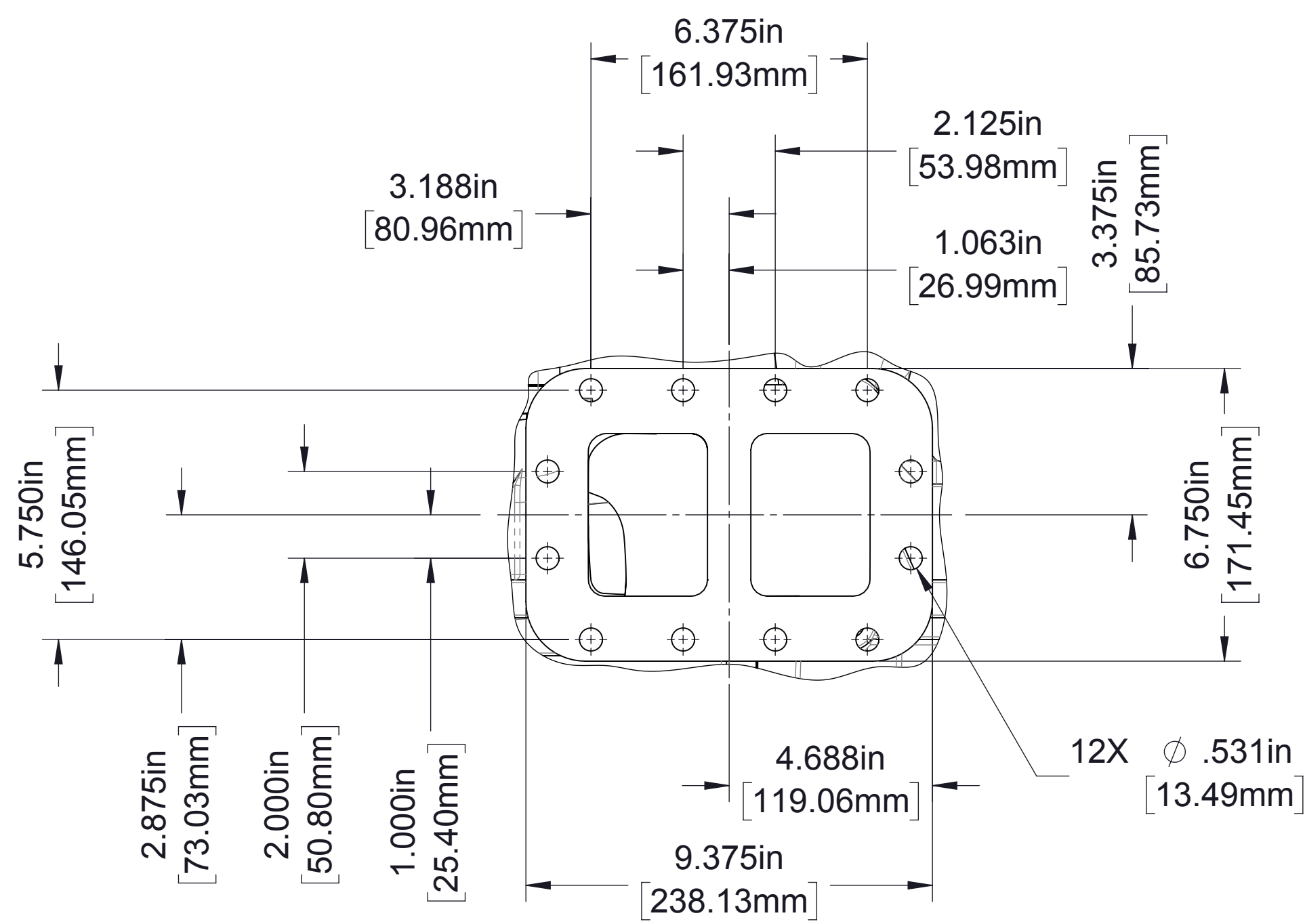
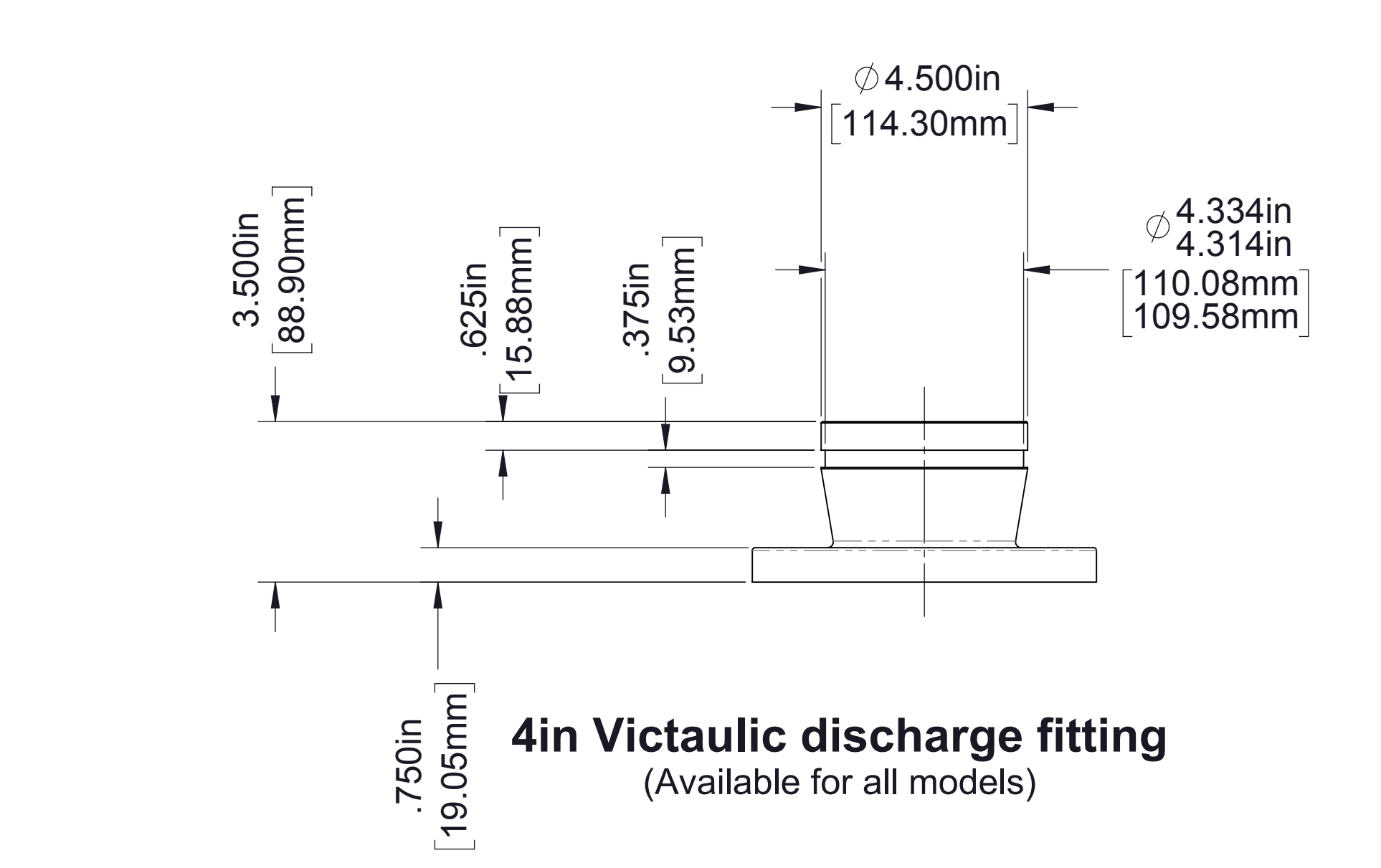


Note: Pump must be installed in accordance with Waterous Installation Instructions.

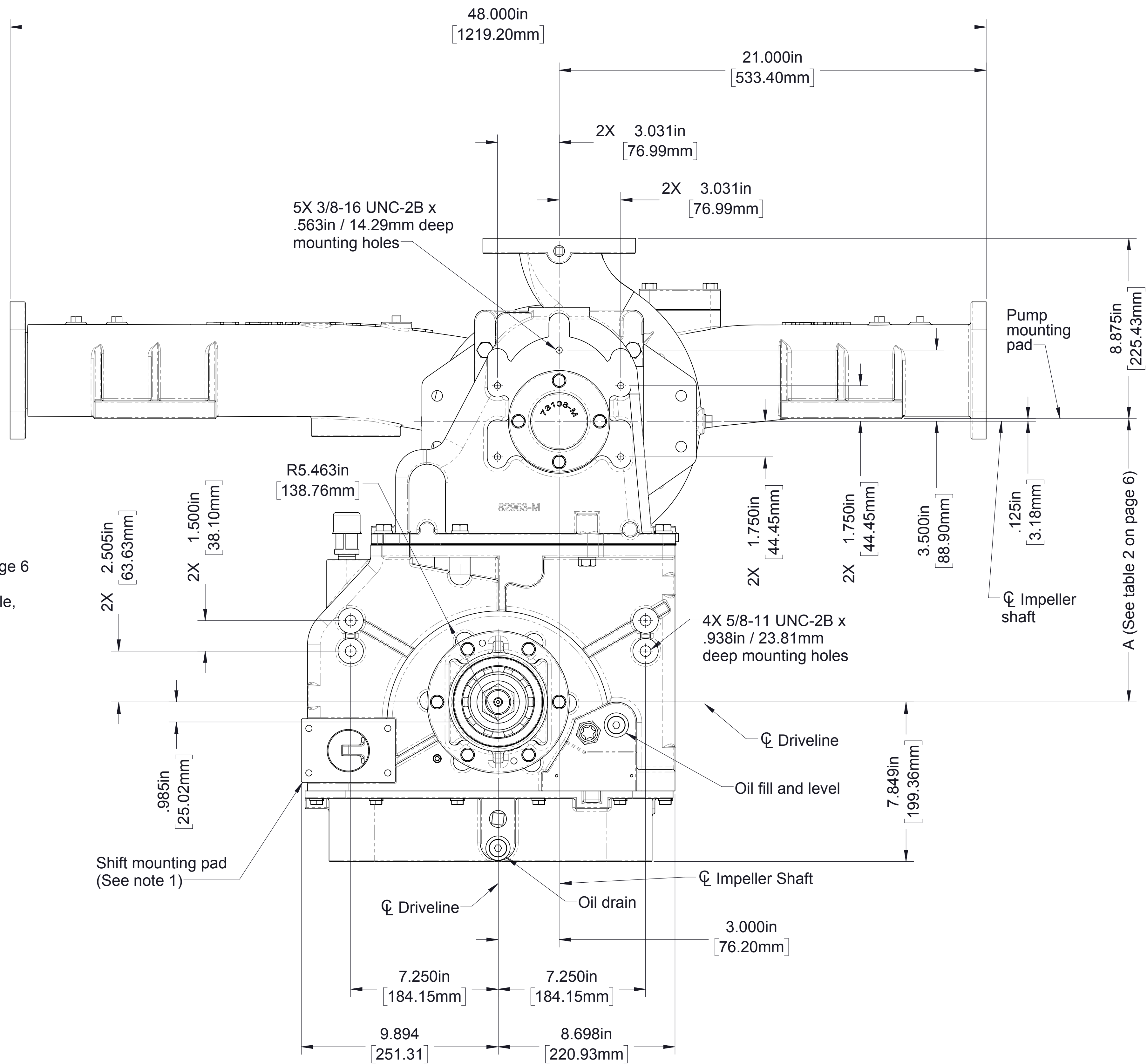
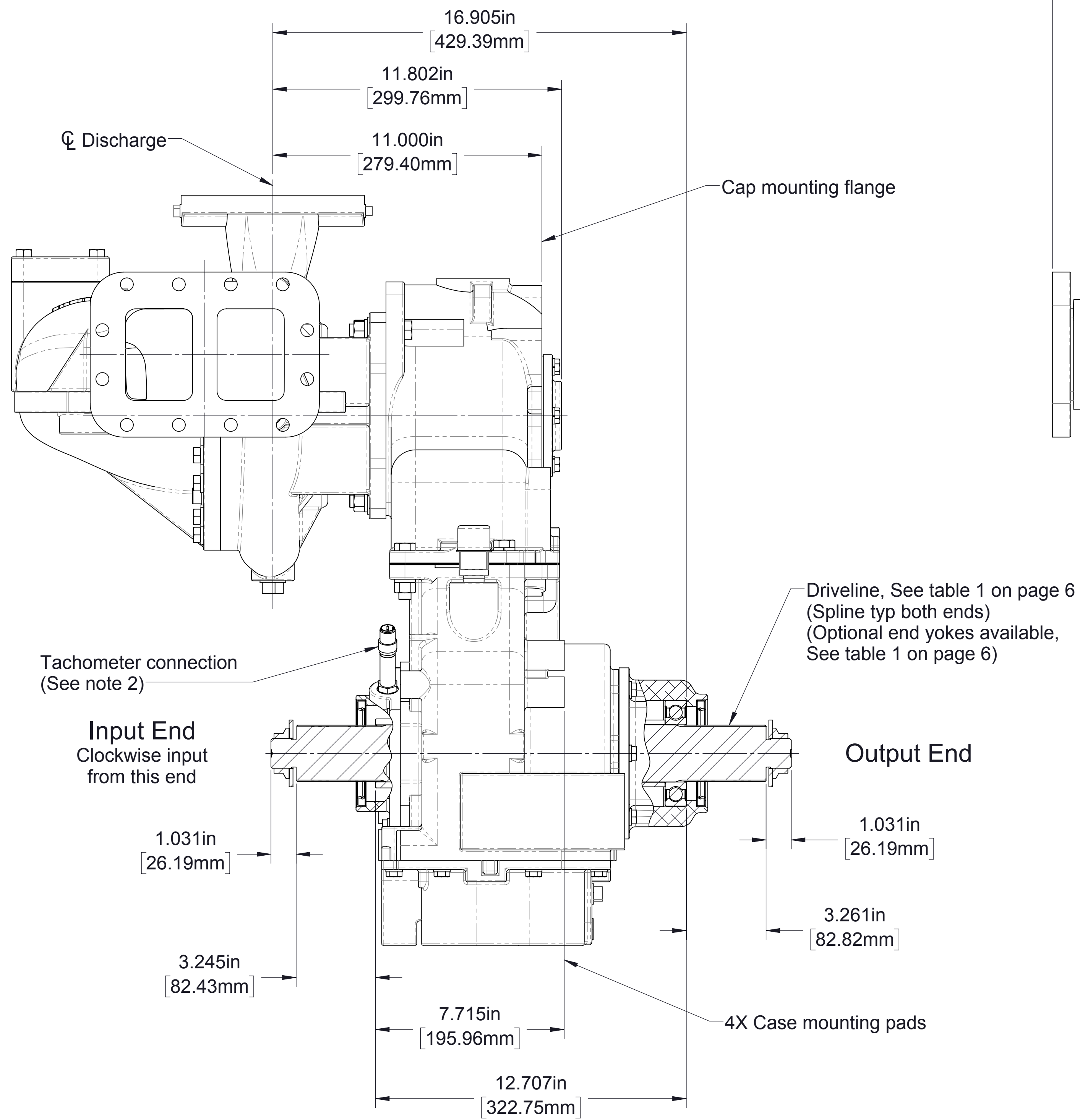
Transmission				Pump		See Page		
Type	Driveline	Pump Mounting on Transmission	Input Rotation (1)	Impeller Rotation (2)	Pump and Transmission Model	Pump and Transmission		
						Dimensions	Available	
							Pump Discharge Positions	Transmission Mounting Positions
C20 Series Chain Drive, Split Shaft	Input and Output Shaft	Front (Input Shaft Side)	CW	CW	CGVGC20B CGVGC20C CGVGC20D	4, 6	9	10
	Input Shaft Only	Front (Input Shaft Side)	CW	CW	CGVGC20E CGVGC20F	5, 6	9	10
K Series Two Gear, PTO Driven	Input Shaft Only	Opposite Input Shaft	CW	CW	CGVGK	7	9	10
P Series Chain Drive, PTO Driven	Input Shaft Only	Input Shaft Side	CW	CW	CGVGPA	8	9	10

Notes:

1. Input rotation is viewed looking directly at the transmission input shaft.
2. Impeller rotation is viewed looking directly at the intake fitting (impeller eye)

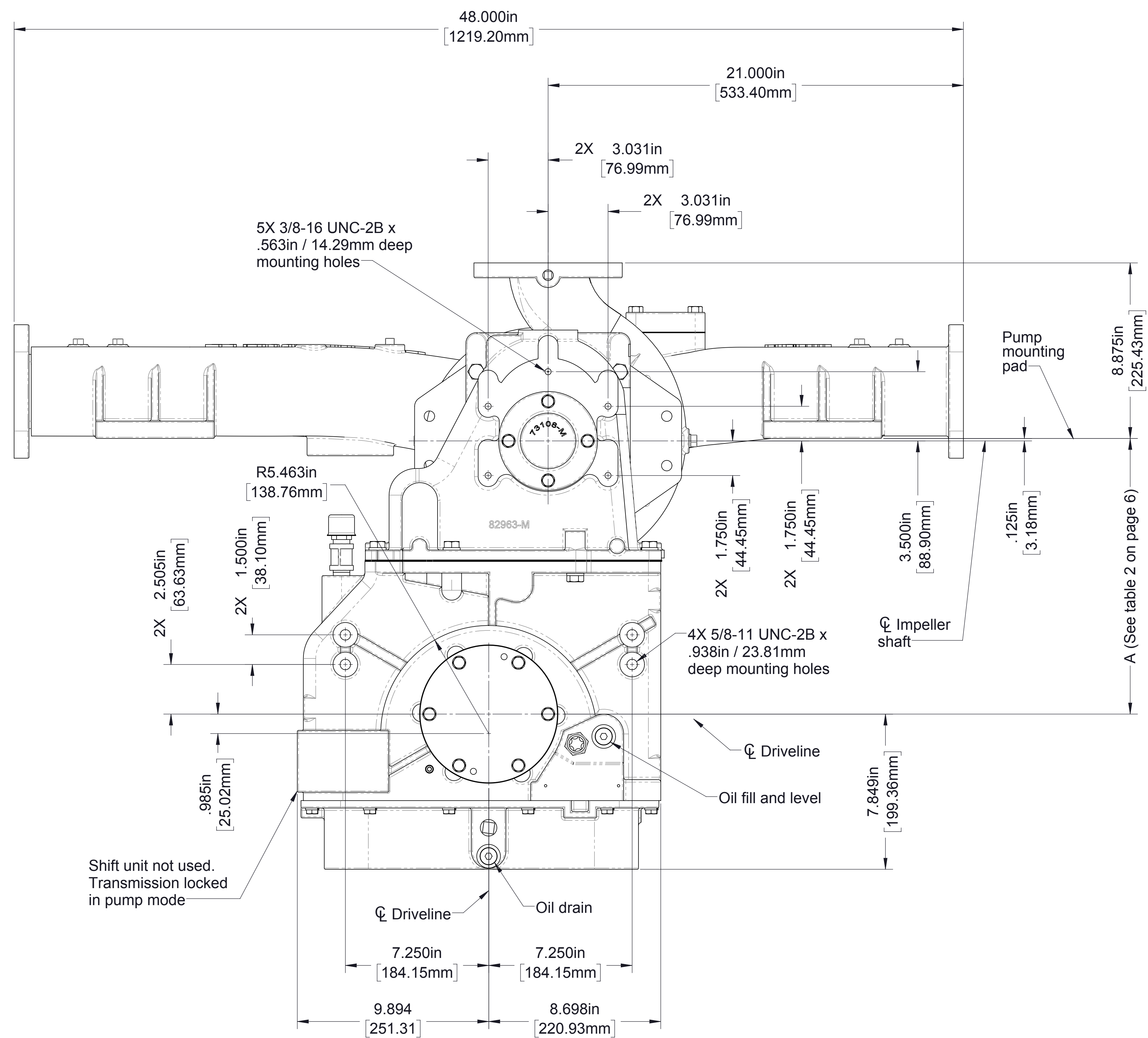
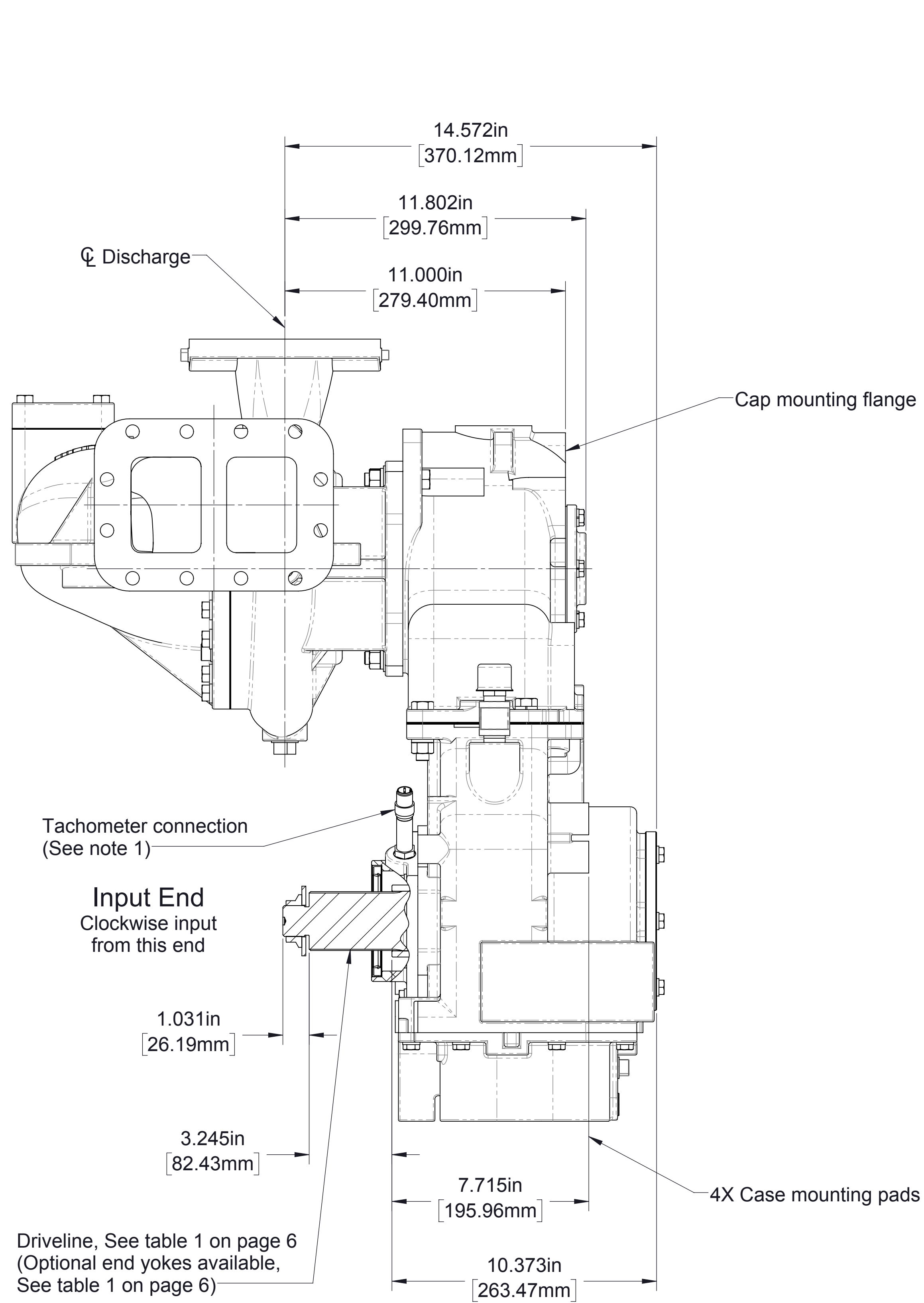


CGVG Body Dimensions



- Notes:
1. See drawing DPL82086 for shift mounting pad details.
 2. See drawing DPL82994 for additional details of C20 series transmission

Model CGVG with C20
Input and Output Shaft
Pump mounted on front (Input shaft side) of transmission
Clockwise input, model CGVGC20C, 2.27 ratio, blank discharge shown



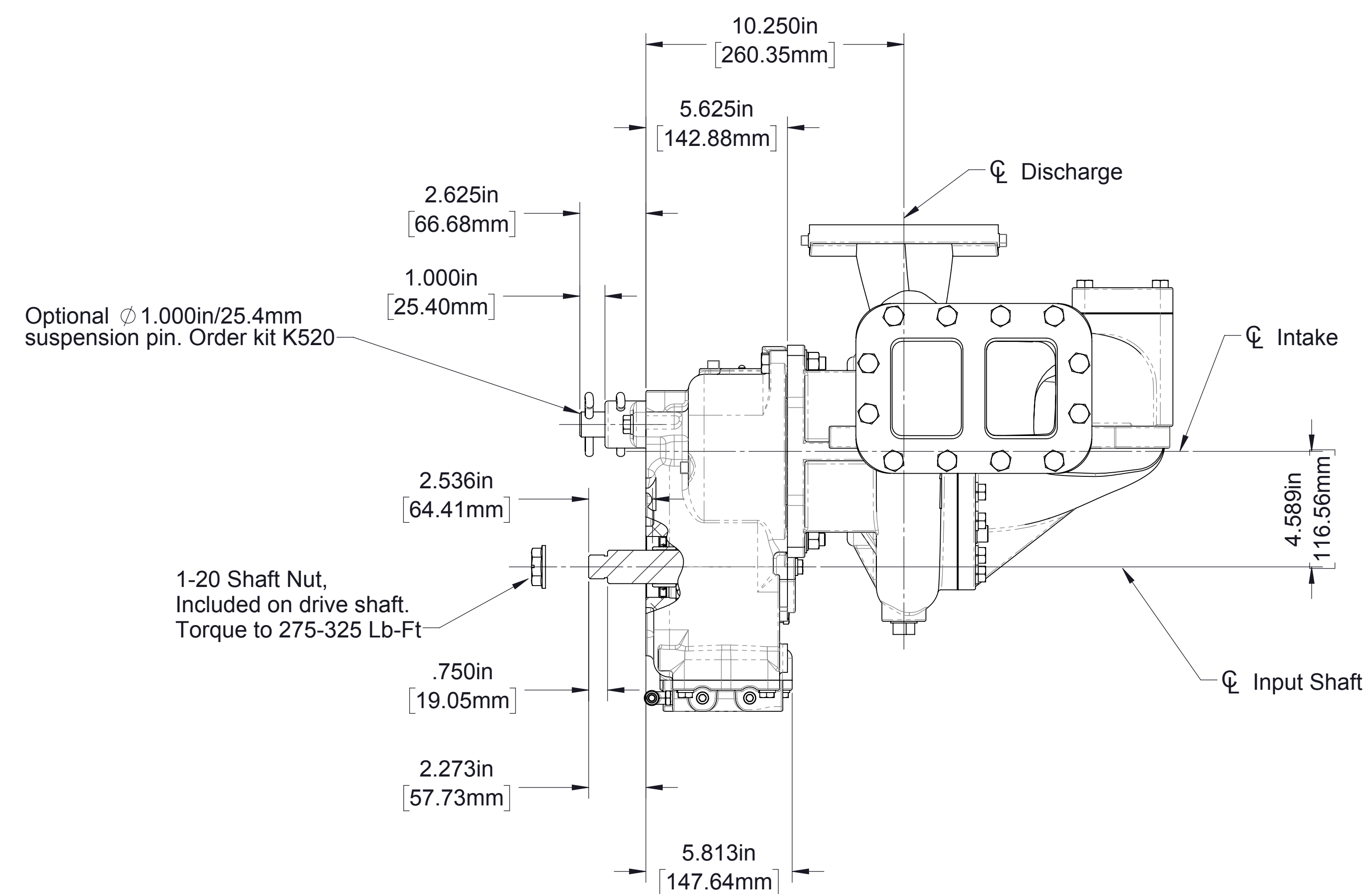
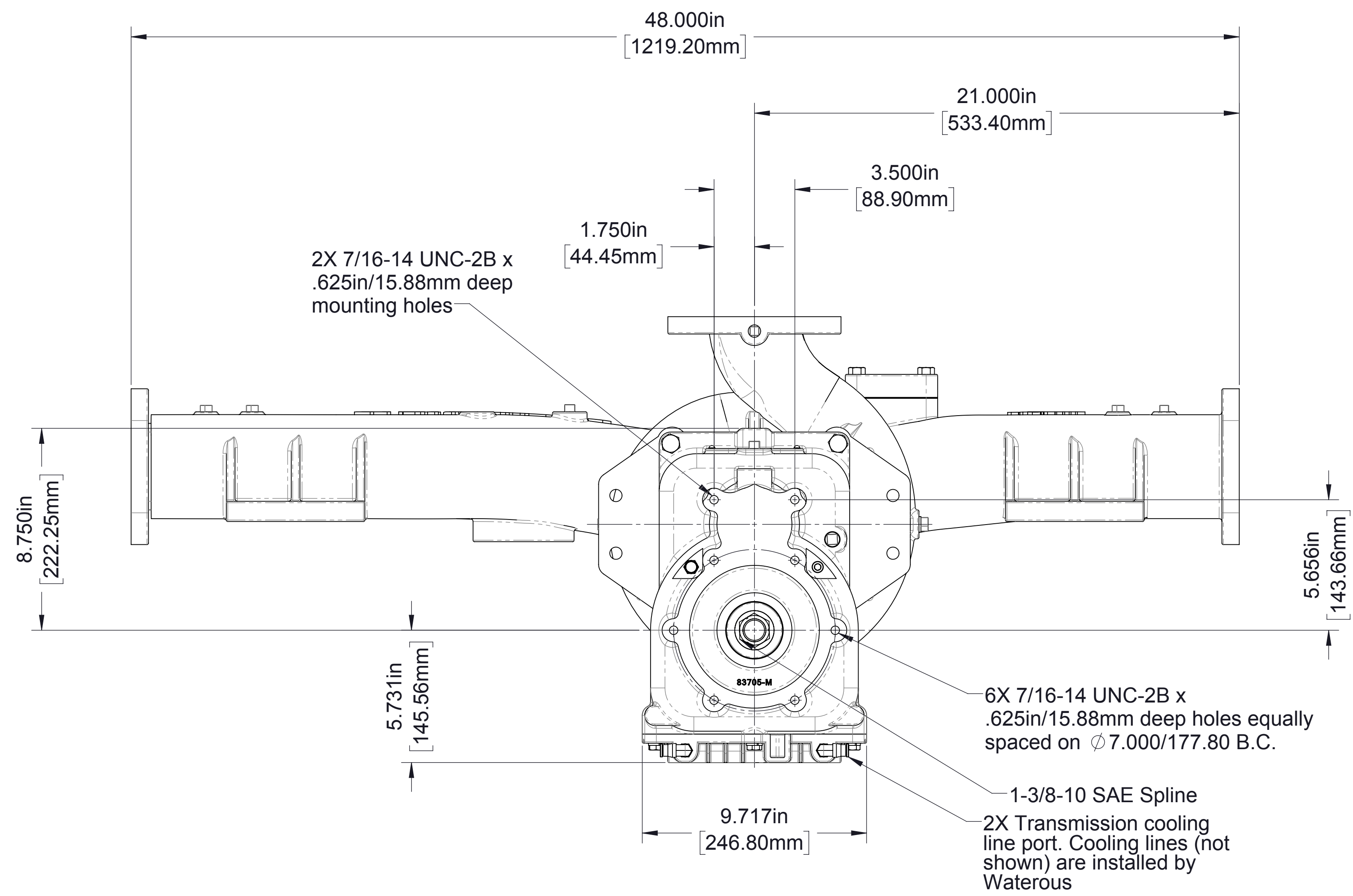
Note:
1. See drawing DPL82994 for additional details of C20 series transmission

Model CGVG with C20
Input Shaft Only
Pump mounted on front (Input shaft side) of transmission
Clockwise input, model CGVGC20C, 2.27 ratio, blank discharge shown

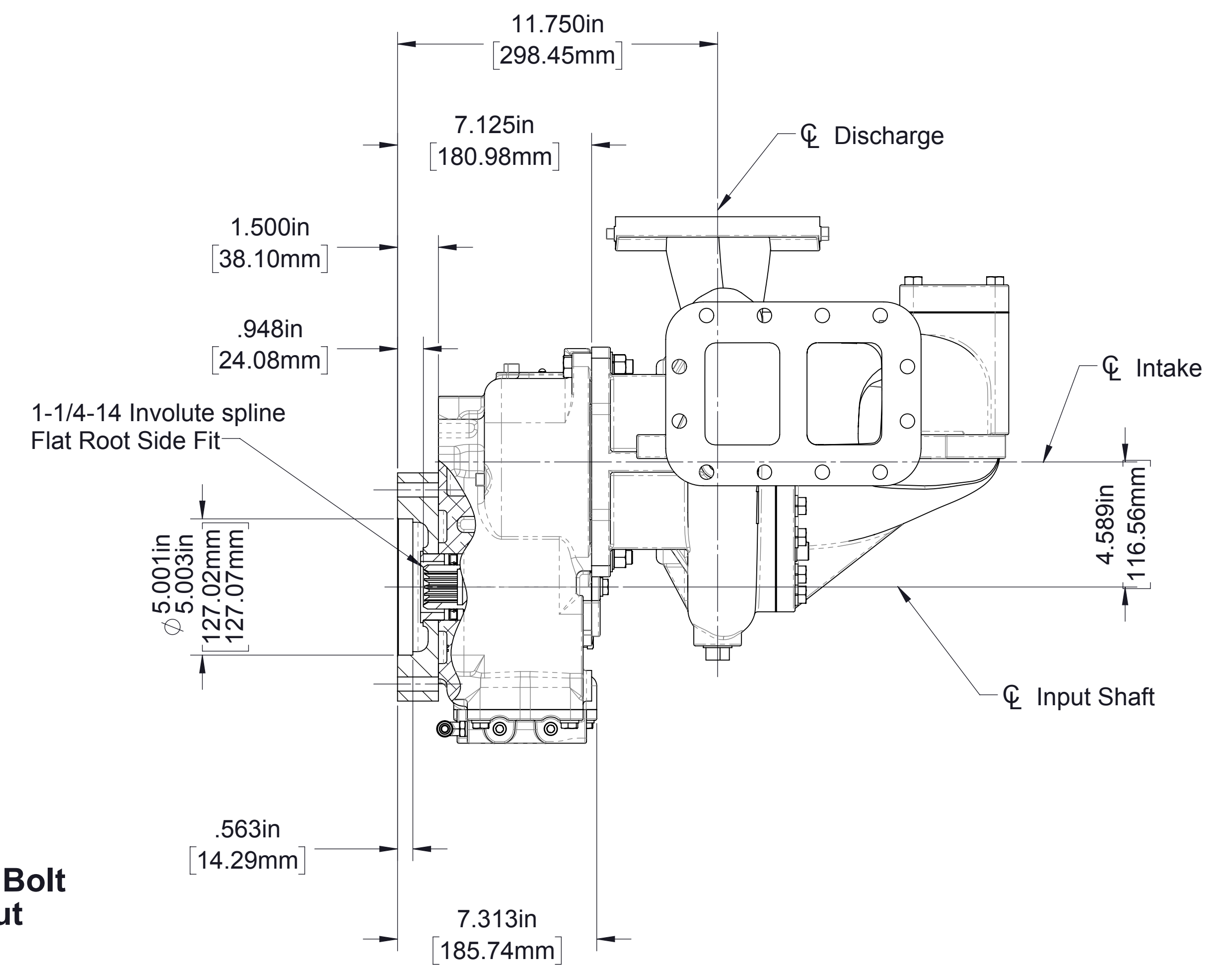
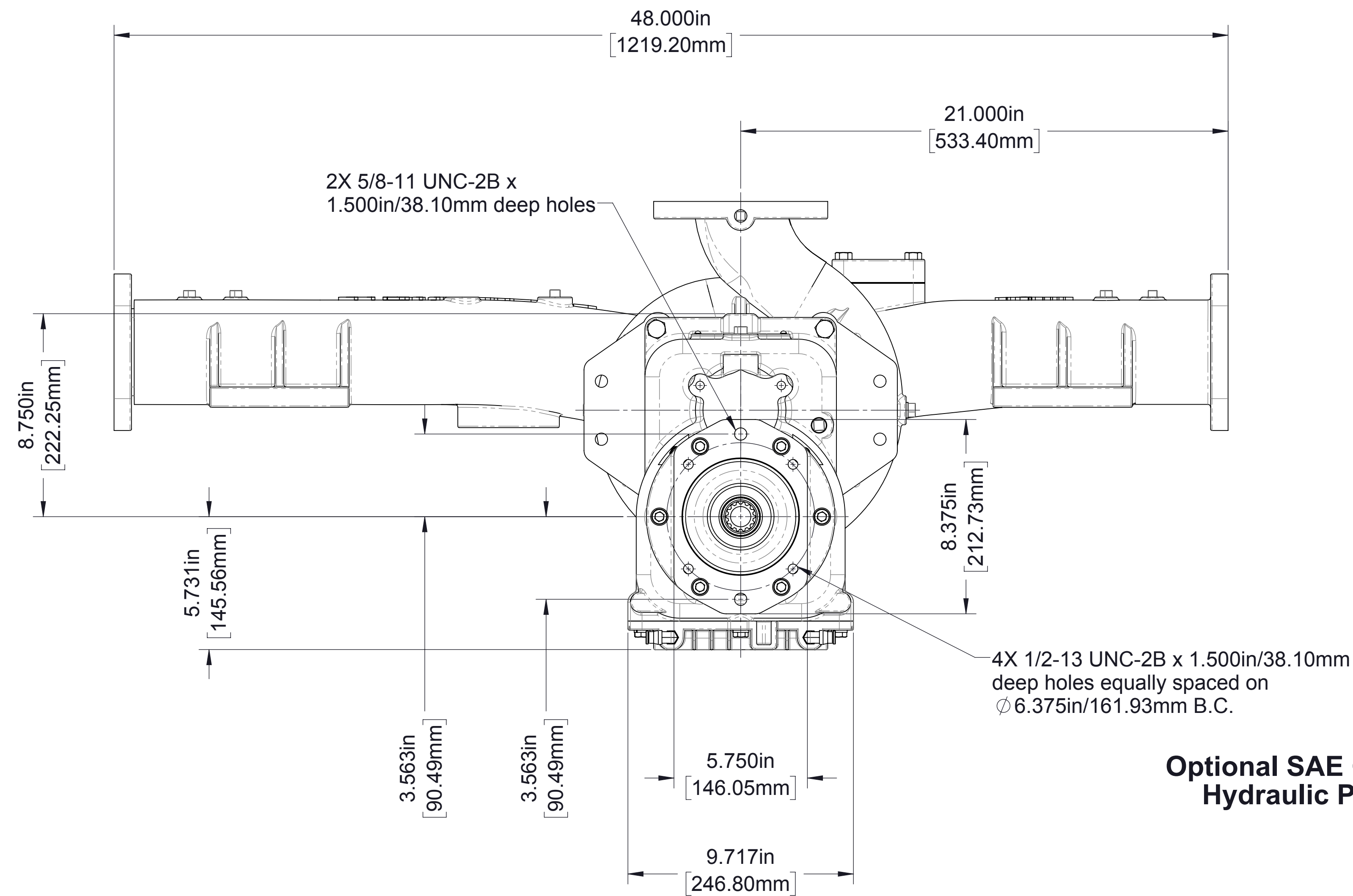
Table 1 - Available Driveline/Models						
Driveline			Optional End Yokes Available from Waterous			Companion Flange
Type	Size	Spline	Yoke		Cross and Bearing Kit	
			Spicer Series	Part No.		
Extra Heavy Duty	2.35 Inch	2.35-46T Involute	1480/1610	--	--	V 3719
			1650/1710	--	--	V 3619
			1710 BP	V 2837	V 2839	--
			1810 BP	V 2838	V 2840	--
			1710 HR	V 4101	--	--
			1810 HR	V 4102	--	--
			SPL140	V 3388	V 3389	--

Table 2 - Available Ratios					
Dimension A					
Drive to Driven Ratio	All dimensions shown as inch/millemeter				
	C20B	C20C	C20D	C20E	C20F
1.27	12.375/314.33	14.437/366.70	14.950/379.73	16.986/431.44	19.017/483.03
1.41	11.965/303.91	14.024/356.21	15.056/382.42	17.096/434.24	19.127/485.83
1.48	12.451/316.26	14.003/355.68	15.032/381.81	17.076/433.73	19.106/485.29
1.58	12.330/313.18	13.881/352.58	14.913/378.79	16.955/430.66	18.986/482.24
1.69	12.415/315.34	13.964/354.69	15.001/381.03	17.048/433.02	19.086/484.78
1.79	12.083/306.91	14.170/359.92	15.197/386.00	17.252/438.20	19.293/490.04
1.88	12.254/311.25	13.815/350.90	14.842/376.99	16.898/429.21	18.934/480.92
1.97	12.431/315.75	13.995/355.47	15.037/381.94	17.095/434.21	19.137/486.08
2.03	12.021/305.33	14.109/358.37	15.153/384.89	17.211/437.16	19.257/489.13
2.27	12.365/314.07	13.936/353.97	14.981/380.52	17.045/432.94	19.096/485.04
2.46	12.066/306.48	14.167/359.84	15.212/386.38	17.279/438.89	19.330/490.98
2.68	12.294/312.27	13.871/352.32	14.918/378.92	16.990/431.55	19.048/483.82

C20 Data Tables

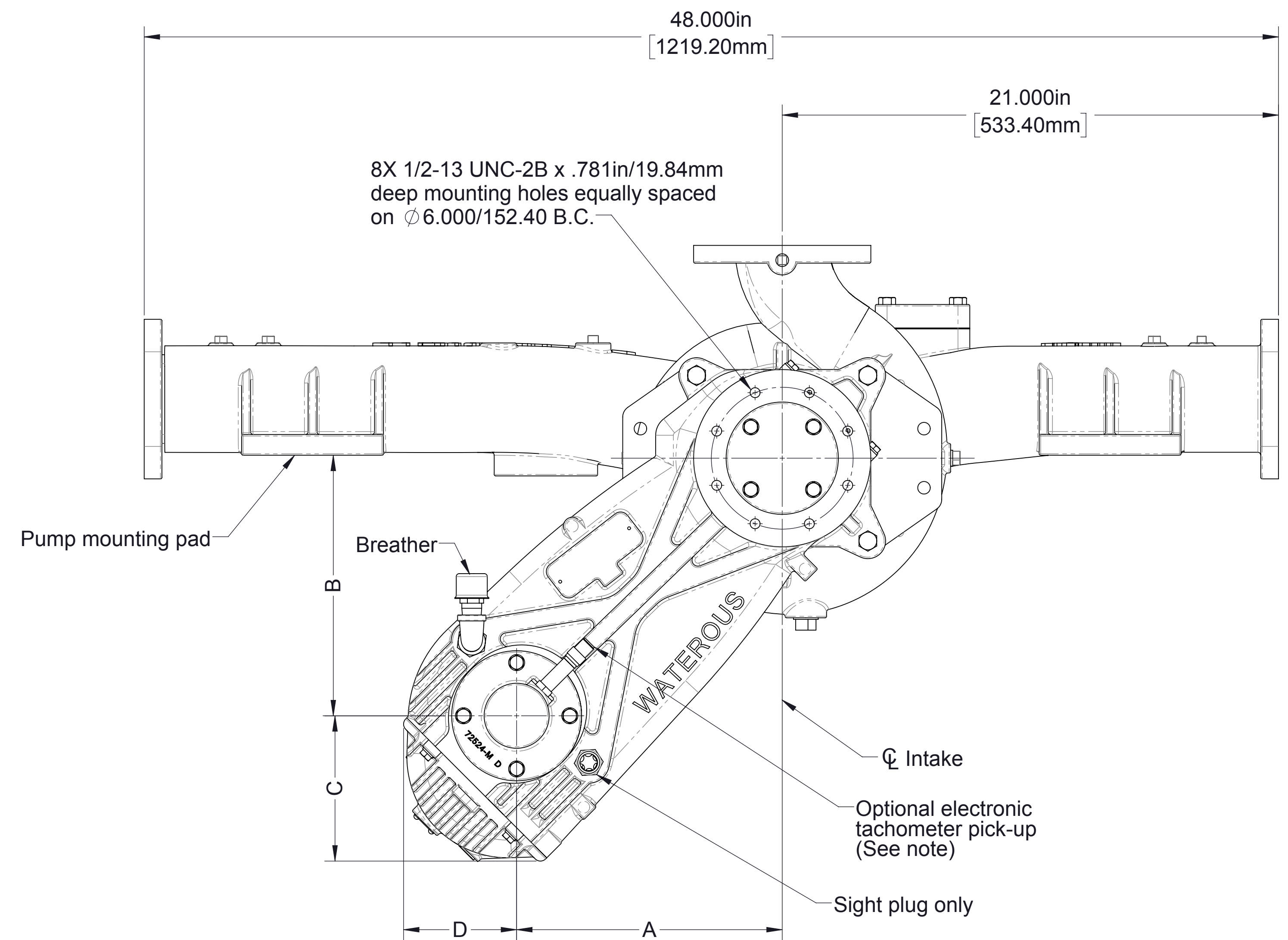
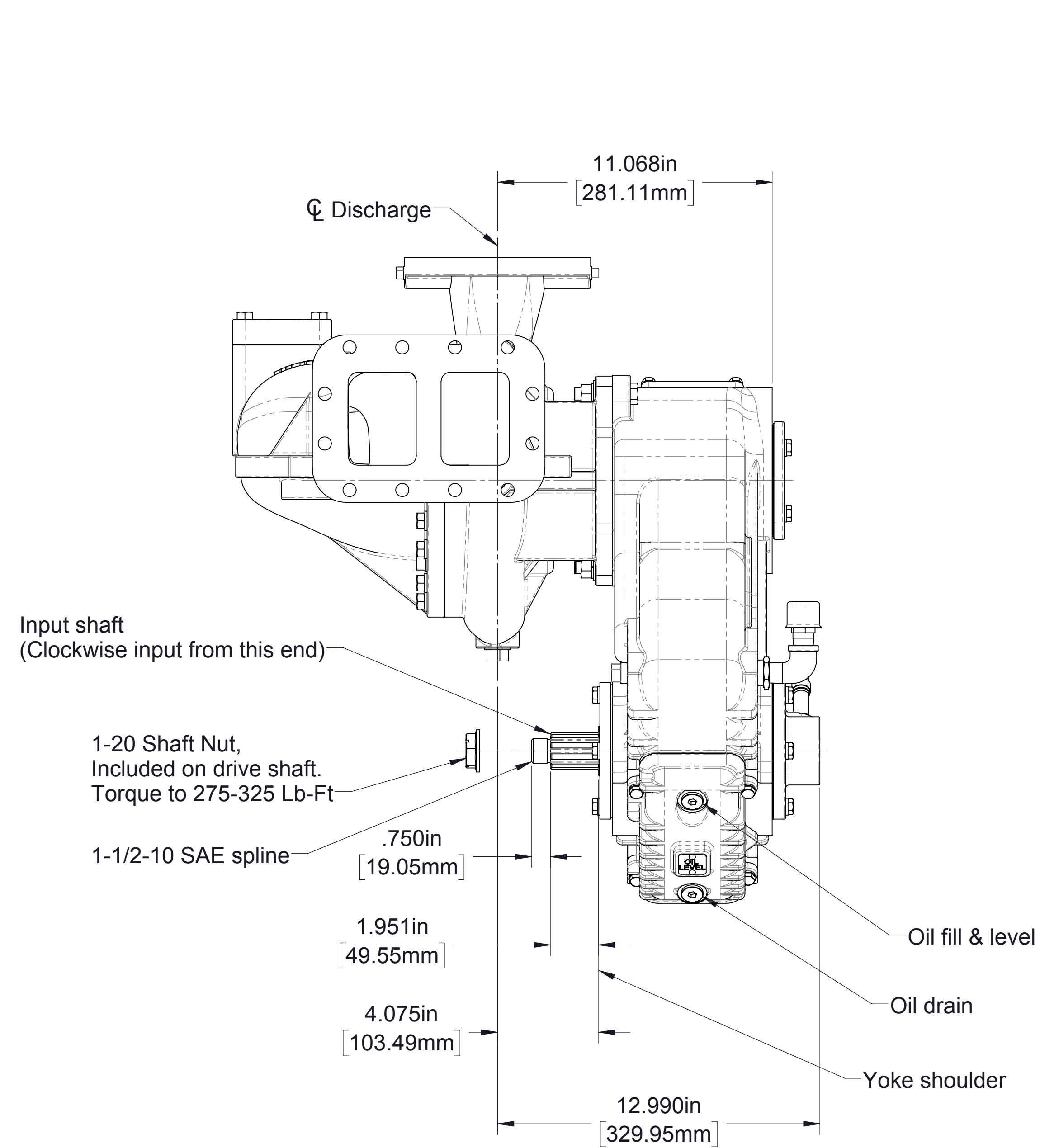


1-3/8-10 SAE Splined Input



Optional SAE Class "C" 2 or 4 Bolt Hydraulic Pump Flange Input

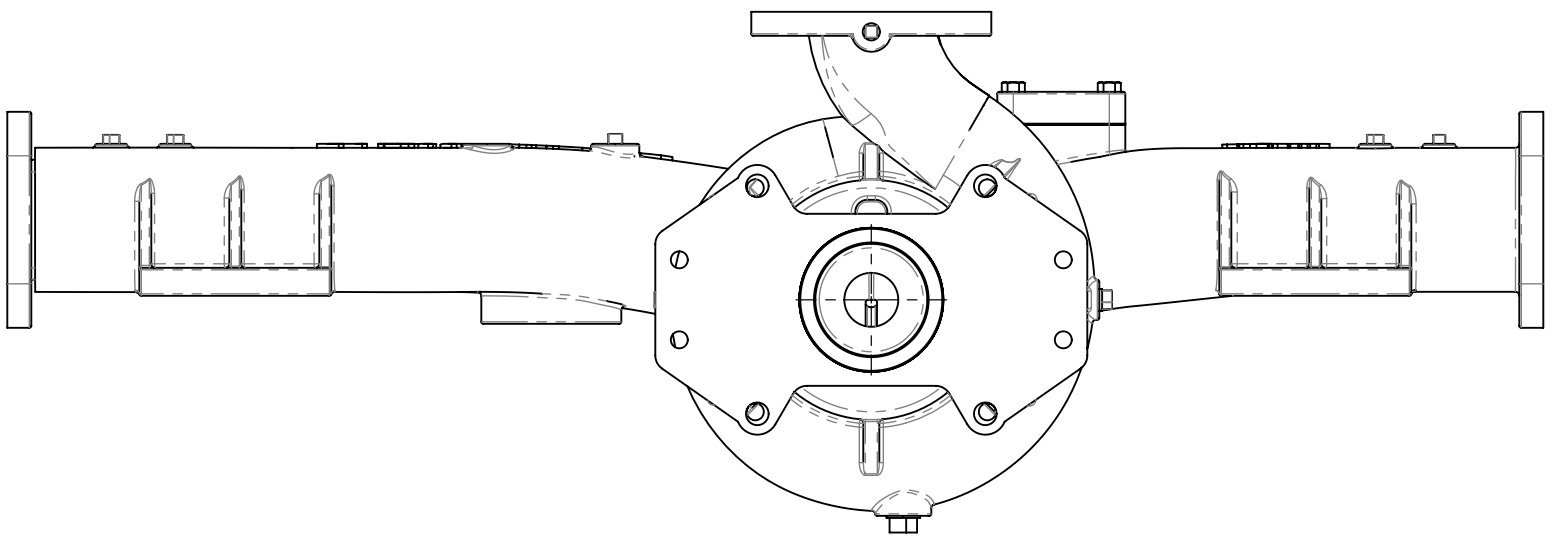
Model CGVG with K
 Clockwise input
 (CGVGK in vertical mounting position shown, See page 10 for mounting positions)



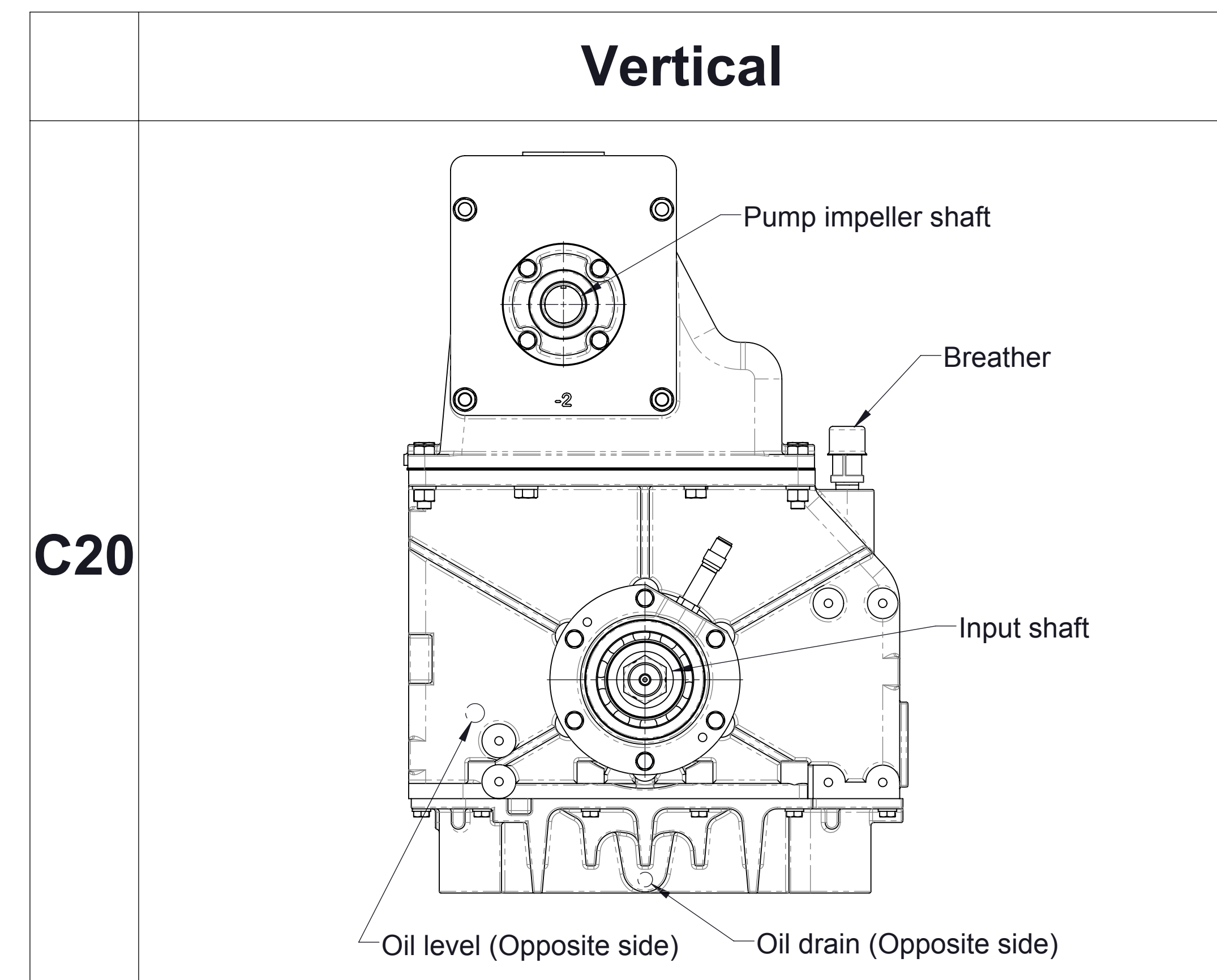
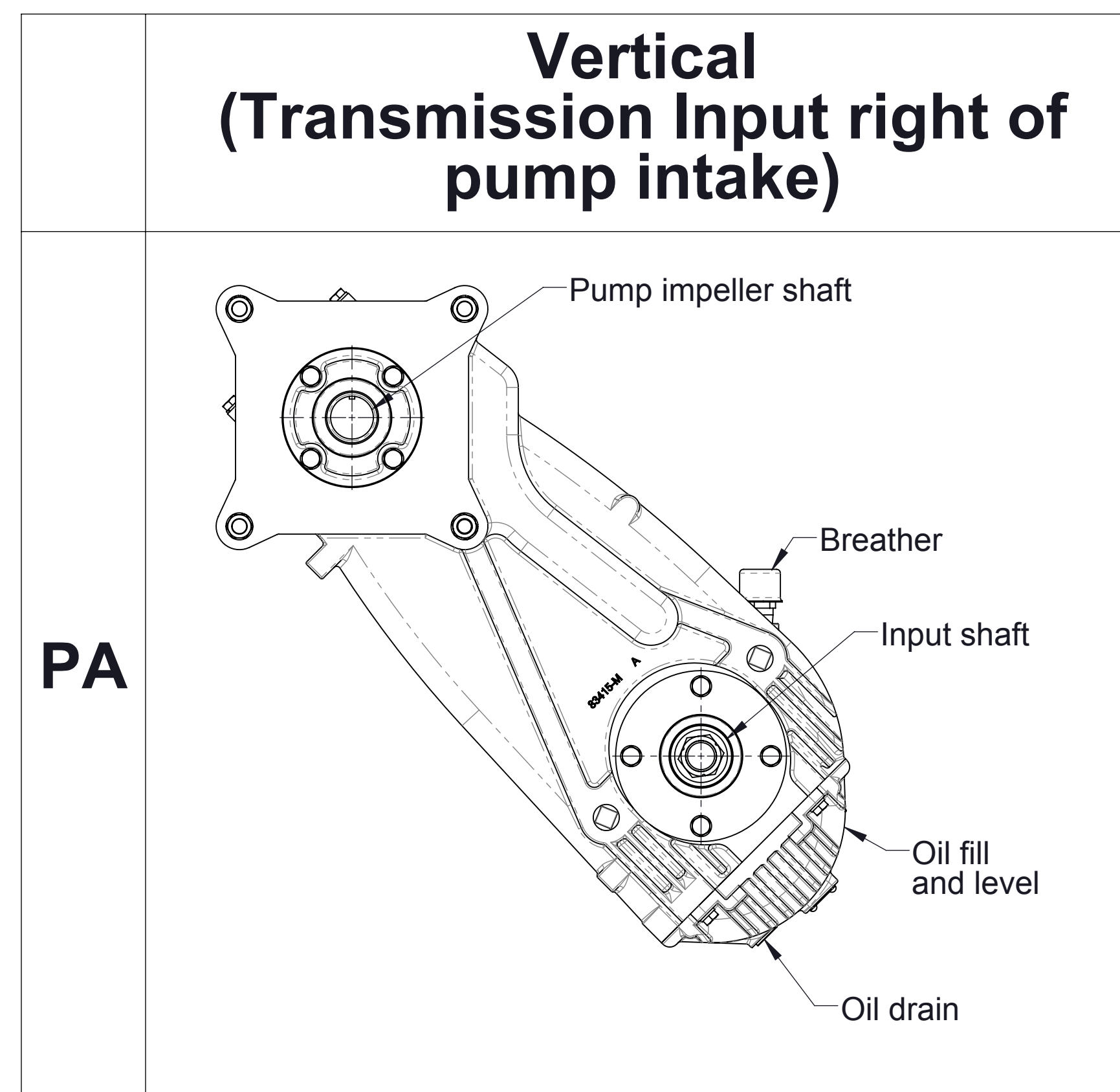
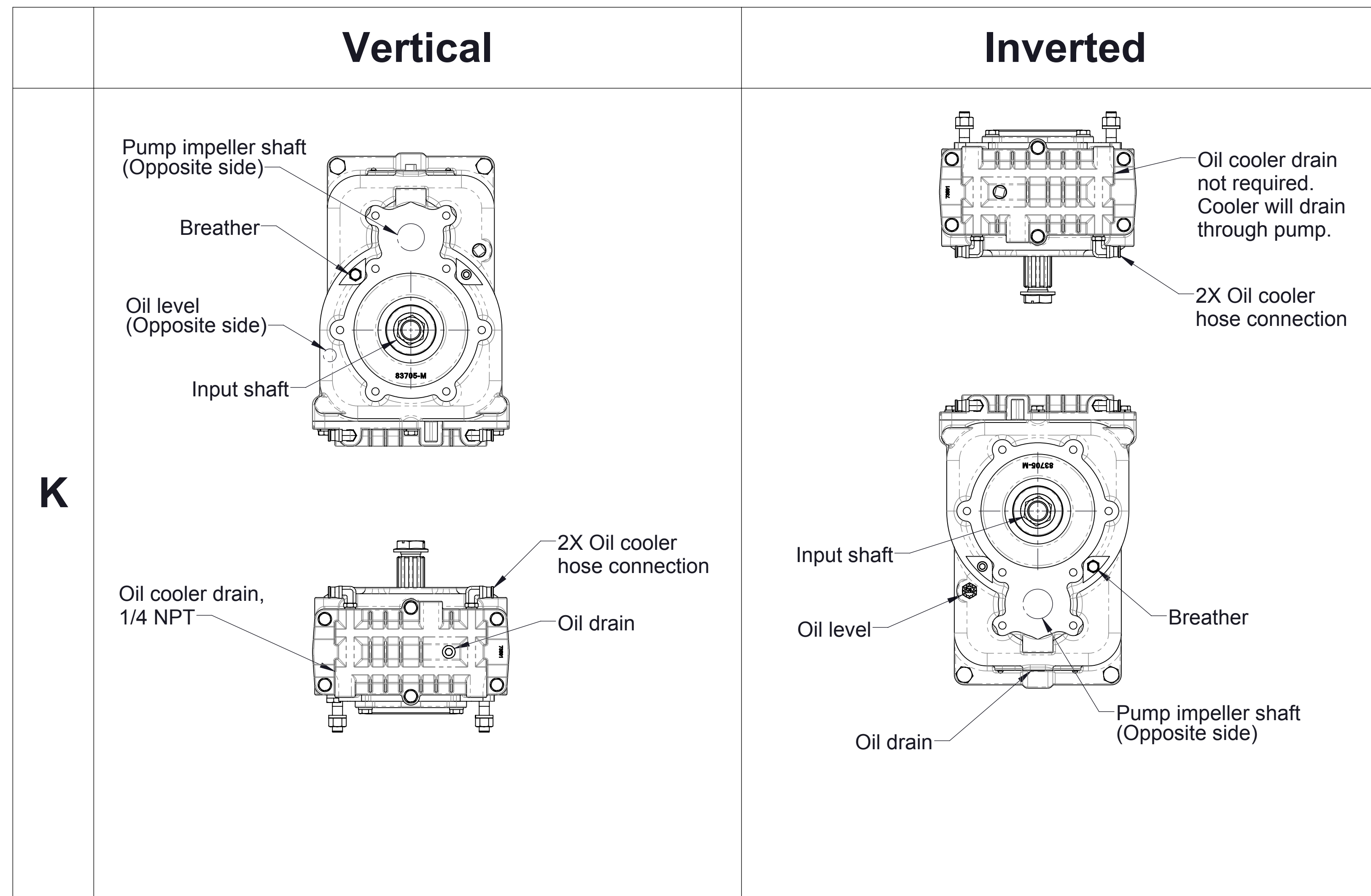
Drive Line		Ratio	Dim A	Dim B	Dim C	Dim D
Size	Spline					
1-1/2 in	1-1/2-10 SAE	1.70	11.288in 286.71mm	11.068in 281.13mm	6.236in 158.39mm	4.737in 120.32mm
		1.90	11.269in 286.24mm	11.049in 280.64mm	6.255in 158.88mm	4.755in 120.79mm
		2.10	11.239in 285.46mm	11.019in 279.88mm	6.285in 159.64mm	4.786in 121.56mm

Model CGVG with PA Clockwise input

Note: See drawing DPL82080 for additional details of PA transmission

Discharge Position		Available with:		
		Transmission Series		
		C20 Pump mounted on input shaft side	K	PA Vertical (Right)
Up Clockwise (CW) Input Rotation		Yes	Yes	Yes
Discharge cannot be rotated independently of the transmission				

Available pump discharge positions as viewed from transmission end of pump



**Available transmission mounting positions
as viewed from transmission input shaft**