



Document Number	Issue Date	Rev. Date
<b>DPL82917</b>	<b>07/12/06</b>	<b>11/23/11</b>

## Auto Tank Fill System 82916 Dimensional Drawings

### Index:

Component		See Page
Control Unit, Cables and Panel Components		2
Ball Valve with Electric Actuator	2-1/2 in. Full Flow	3, 4
	3-1/2 in. Standard	5, 6
Optional Fittings for Intake Nipple Dump Flange and 3-1/2 in. Standard Ball Valve		7
Typical Ball Valve Installations		8

### Ordering Information:

**To Order a complete system, specify the following:**

**Control Unit, Cables and Panel Components:**

**Part Number which indicates System Voltage:**

12 Volt, Part Number 82916-1A

24 Volt, Part Number 82916-1B

**Ball Valve with Electric Actuator:**

**Part Number which indicates Valve Size, Mounting and Figure No. (Operator Position):**

See page 3 for available 2-1/2 in. Full-Flow part numbers

See page 5 for available 3-1/2 in. Standard part numbers

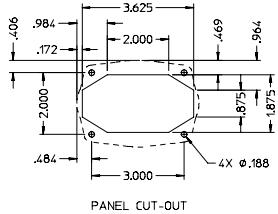
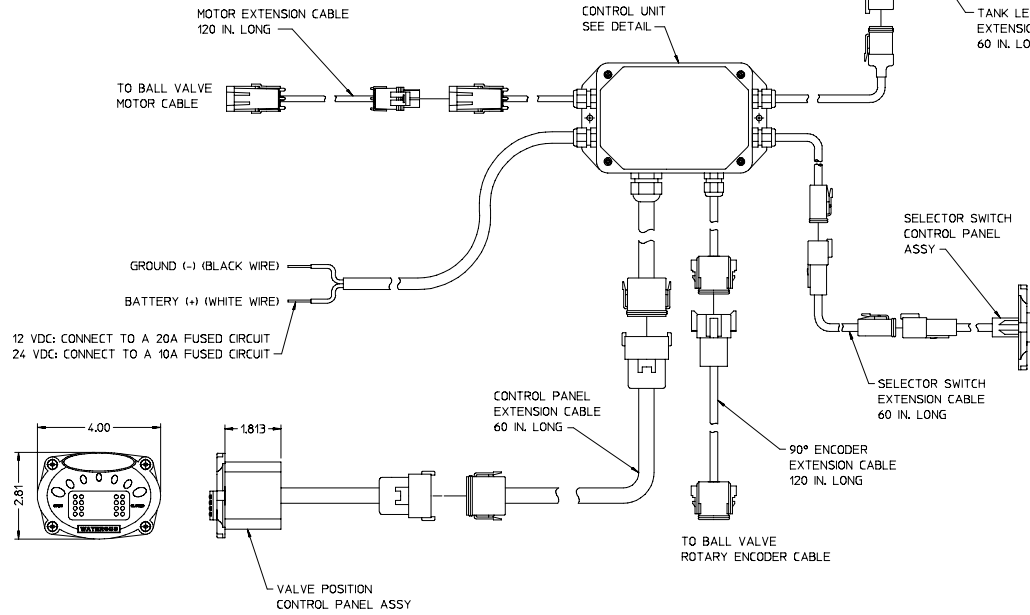
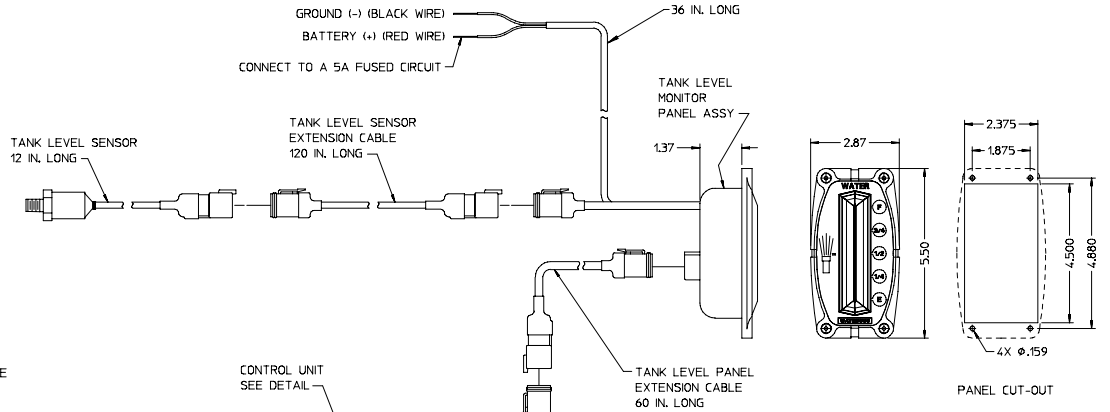
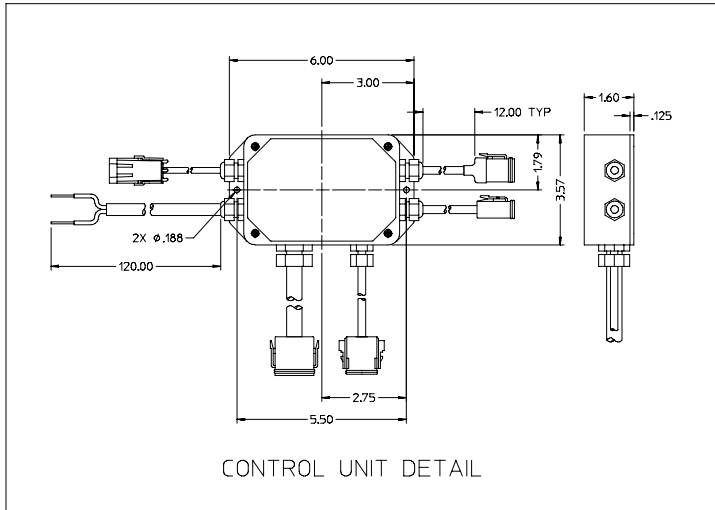
**Optional Fittings:**

**For installation of 2-1/2 in. Ball Valve on Intake Nipple Dump Flange:** *(Reference page 8)*

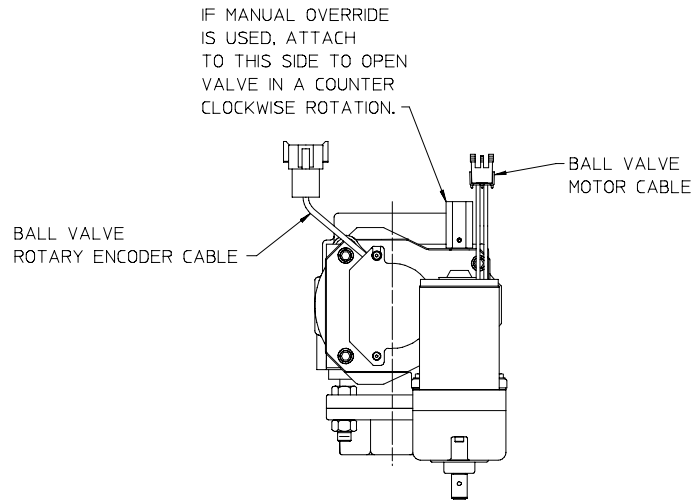
Specify part number, see page 7

**Tapped Flanges for In-Line mounting of 3-1/2 in. Standard Ball Valve:**

Specify part number, see page 7



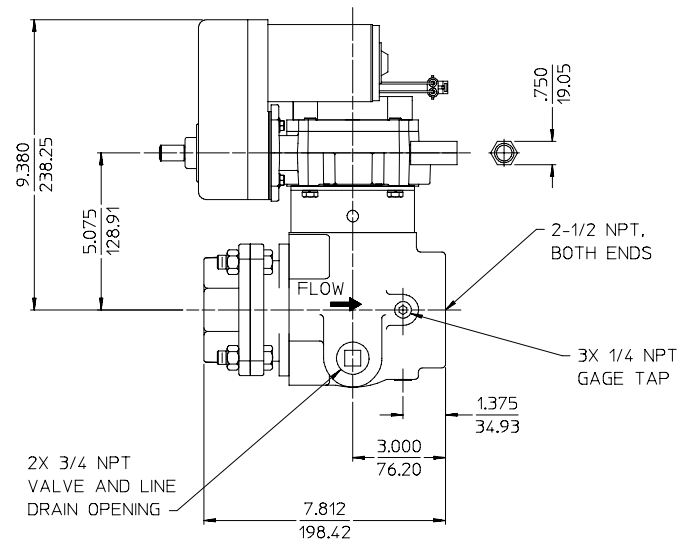
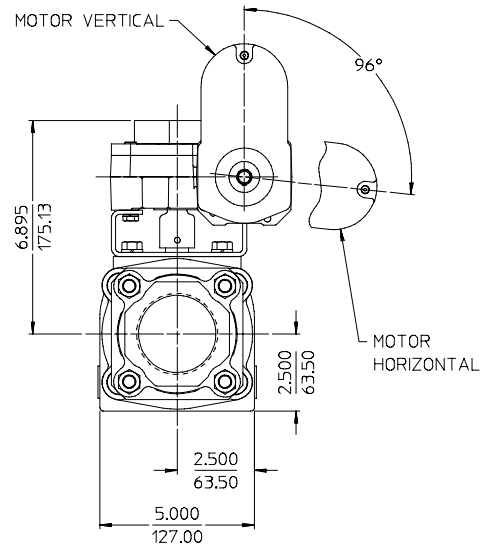
**CONTROL UNIT, CABLES AND PANEL COMPONENTS**



NOTE:  
WHEN ORDERING SPECIFY PART NUMBER BASED ON MOTOR MOUNTING, VOLTAGE AND FIGURE NUMBER:

MOUNTING	MOTOR		PART NO.
	VOLTAGE	FIG. NO.	
VERTICAL	12	1	82916-2A
		2	82916-2B
		3	82916-2C
	24	7	82916-2D
		1	82916-2E
		2	82916-2F
HORIZONTAL	12	3	82916-2G
		7	82916-2H
		4	82916-2J
		5	82916-2K
	24	6	82916-2L
		8	82916-2M
		4	82916-2N
		5	82916-2P
		6	82916-2R
		8	82916-2S

SEE PAGE 4 FOR FIGURE NUMBER DIAGRAMS

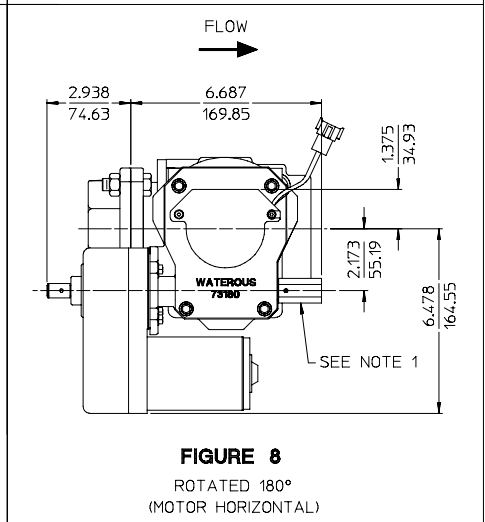
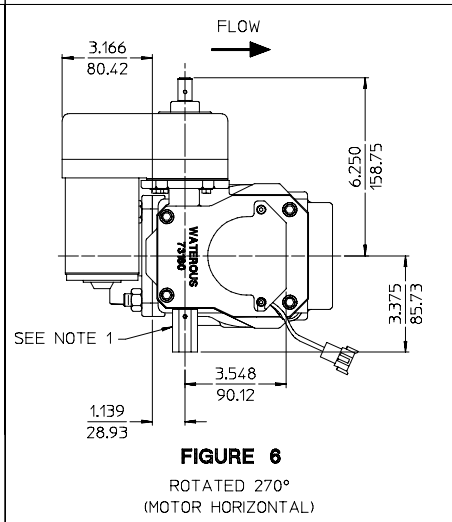
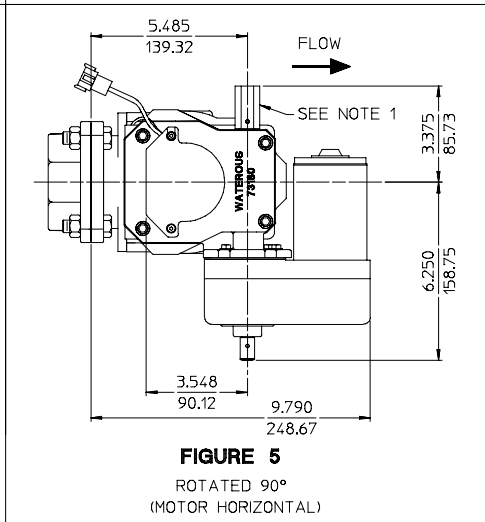
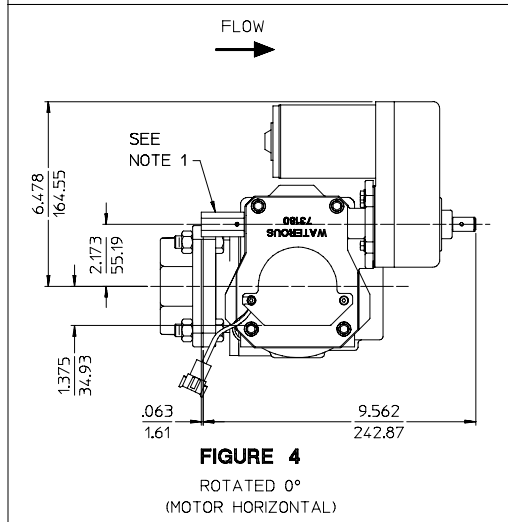
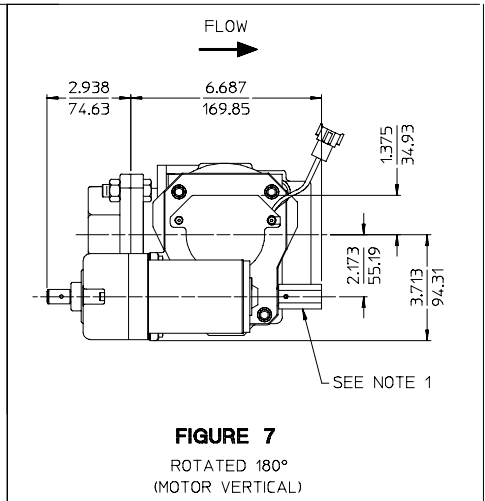
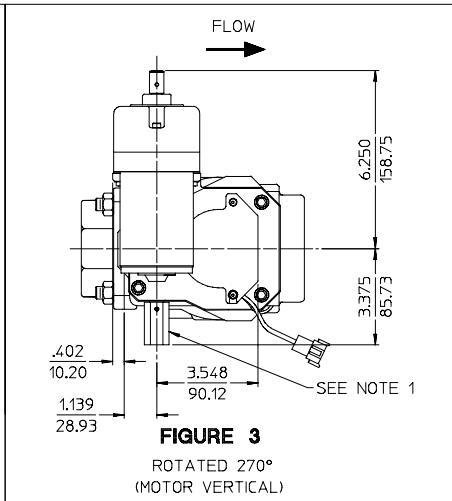
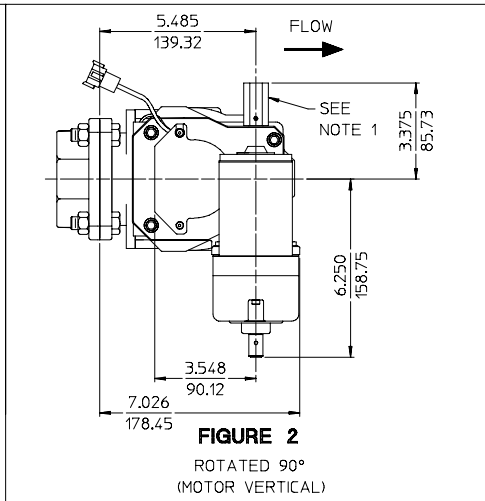
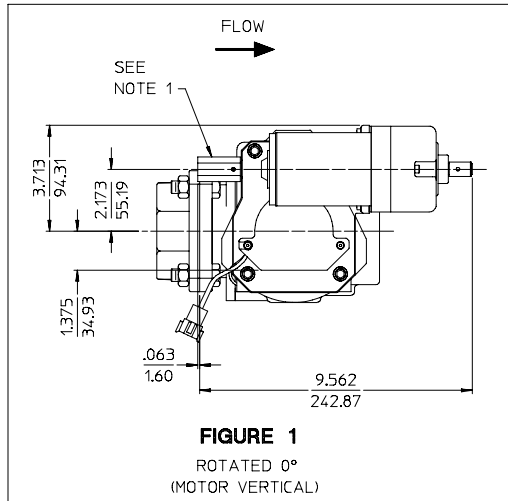


**2-1/2 FULL-FLOW BALL  
VALVE WITH ELECTRIC ROTARY  
ACTUATOR**

(FIGURE 7 SHOWN)  
(IN-LINE MOUNTING ONLY AVAILABLE)

ALL DIMENSIONS SHOWN  
AS INCH/MILLIMETER

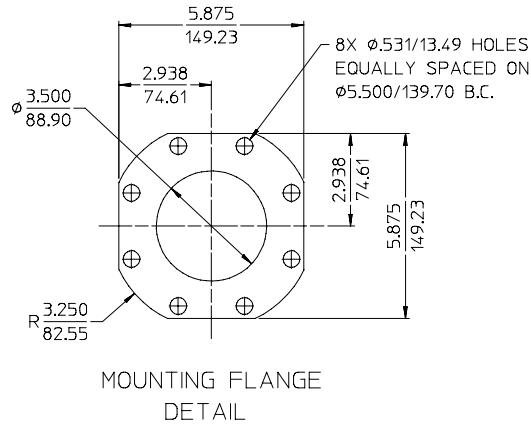
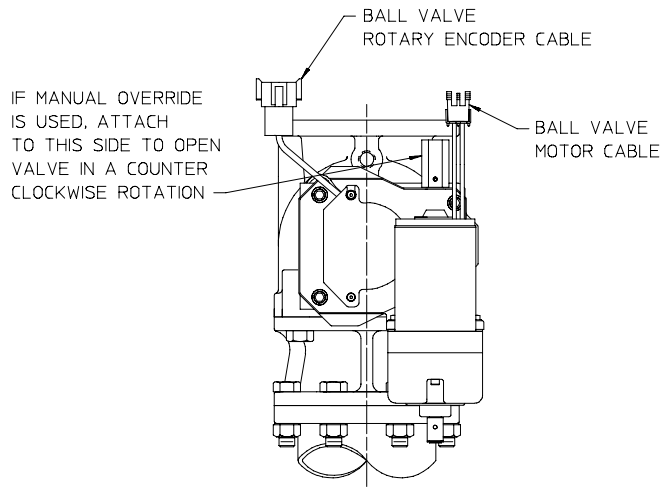
(  $\frac{\text{INCH}}{\text{MILLIMETER}}$  )



**2-1/2 FULL-FLOW ACTUATOR MOUNTING FIGURE NUMBERS**

NOTE:  
1. ADAPTER NUT SHOWN  
(USED FOR MANUAL OVERRIDE)  
WILL ADD .750 TO LENGTH OF SHAFT,  
OR IF NOT USED WILL DECREASE  
LENGTH BY .750.

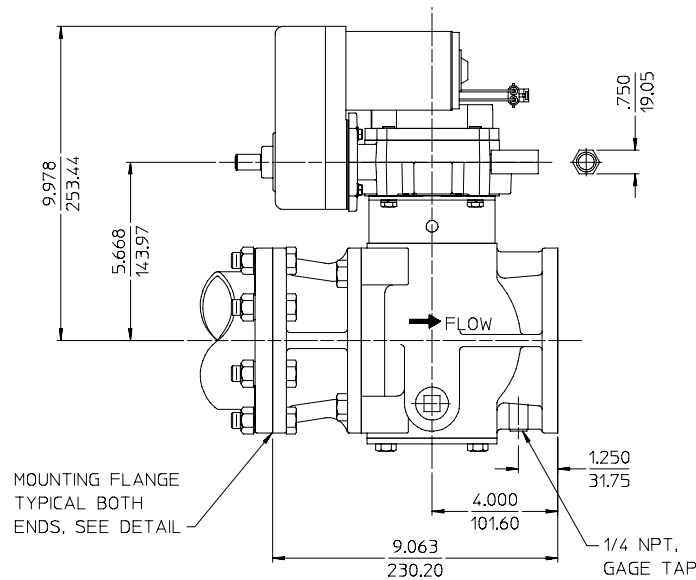
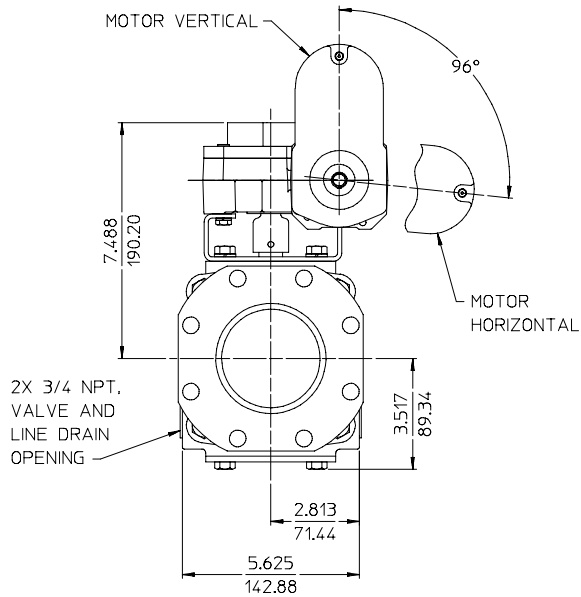
ALL DIMENSIONS SHOWN  
AS INCH/MILLIMETER  
( INCH  
MILLIMETER )



NOTE:  
WHEN ORDERING SPECIFY PART NUMBER BASED ON MOTOR MOUNTING, VOLTAGE AND FIGURE NUMBER:

MOUNTING	MOTOR		PART NO.
	VOLTAGE	FIG. NO.	
VERTICAL	12	1	82916-3A
		2	82916-3B
		3	82916-3C
	24	7	82916-3D
		1	82916-3E
		2	82916-3F
HORIZONTAL	12	3	82916-3G
		7	82916-3H
		4	82916-3J
		5	82916-3K
	24	6	82916-3L
		8	82916-3M
		4	82916-3N
		5	82916-3P
		6	82916-3R
		8	82916-3S

SEE PAGE 6 FOR FIGURE NUMBER DIAGRAMS



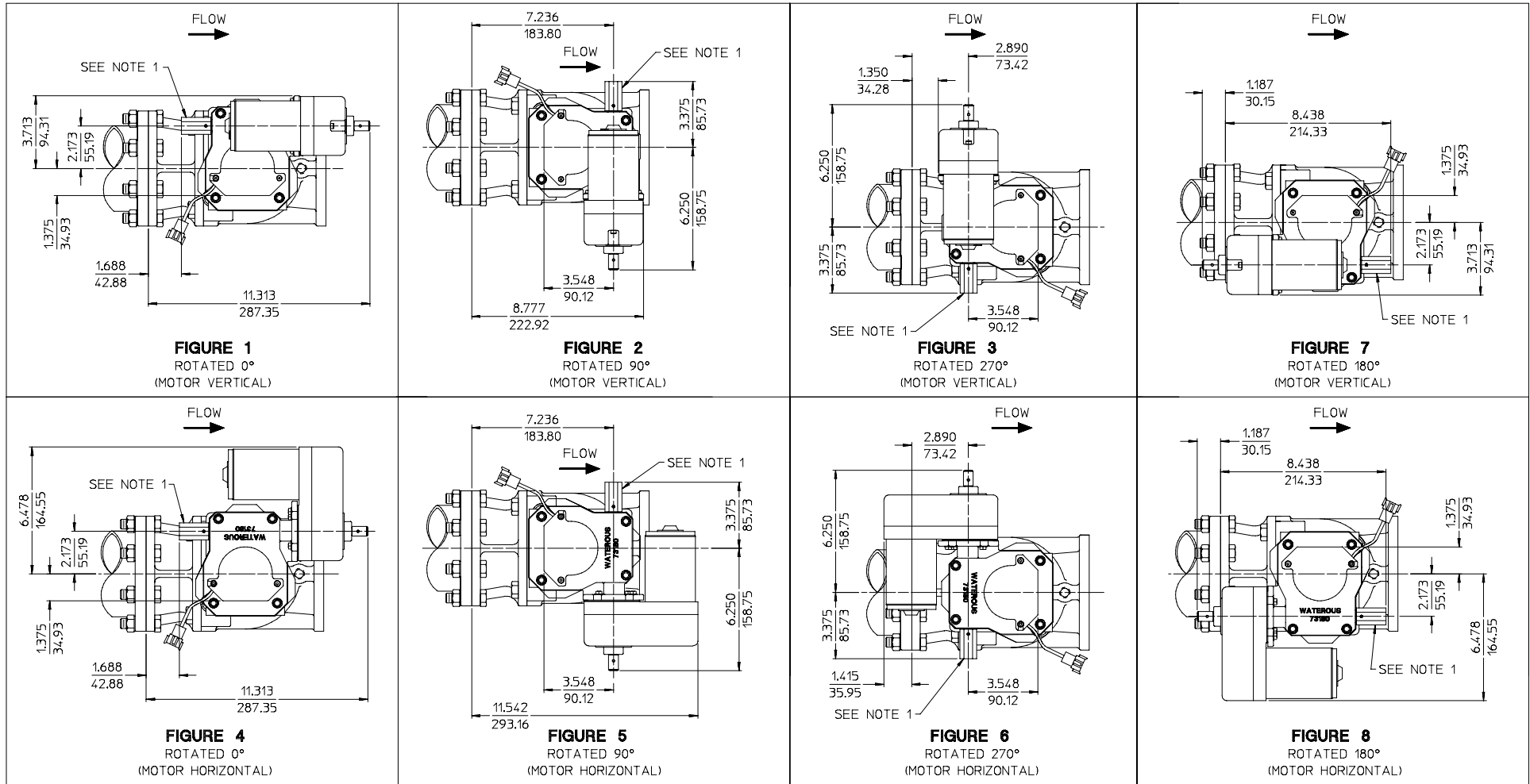
IF IN-LINE MOUNTING IS REQUIRED, ORDER TAPPED FLANGES FROM PAGE 7

ALL DIMENSIONS SHOWN AS INCH/MILLIMETER

(  $\frac{\text{INCH}}{\text{MILLIMETER}}$  )

**3-1/2 STANDARD BALL VALVE WITH ELECTRIC ROTARY ACTUATOR**

(FIGURE 7 SHOWN)  
(FLANGE MOUNTED SHOWN)



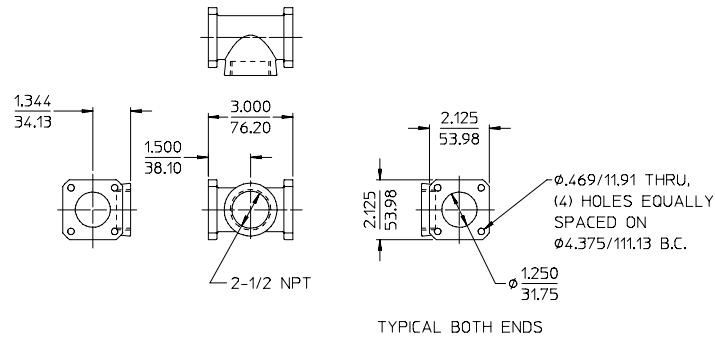
**3-1/2 STANDARD ACTUATOR MOUNTING FIGURE NUMBERS**

NOTE:  
1. ADAPTER NUT SHOWN (USED FOR MANUAL OVERRIDE)  
WILL ADD .750 TO LENGTH OF SHAFT, OR IF NOT USED WILL DECREASE  
LENGTH BY .750.

ALL DIMENSIONS SHOWN  
AS INCH/MILLIMETER  
( INCH / MILLIMETER )

**2-1/2 IN. 4-BOLT FITTINGS  
FOR INTAKE NIPPLE DUMP FLANGE**

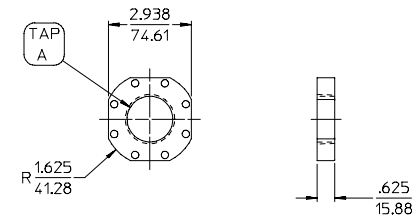
NOTE: ONE FITTING, GASKET OR O-RING AND MOUNTING  
HARDWARE IS INCLUDED WITH EACH PART NO.



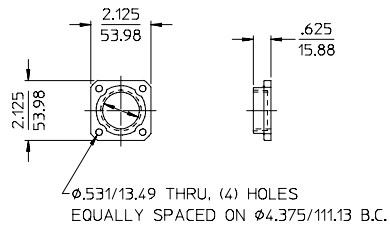
PART NO.	INCLUDES GASKET
82916-4E	51218

**3-1/2 IN. 8-BOLT FITTINGS  
FOR 3-1/2 IN. STANDARD BALL VALVE**

NOTE: TWO FLANGES AND MOUNTING HARDWARE  
ARE INCLUDED WITH EACH PART NO.  
(GASKETS ARE INCLUDED WITH THE VALVE)  
FLANGES ARE SHIPPED LOOSE FOR INSTALLATION BY THE OEM



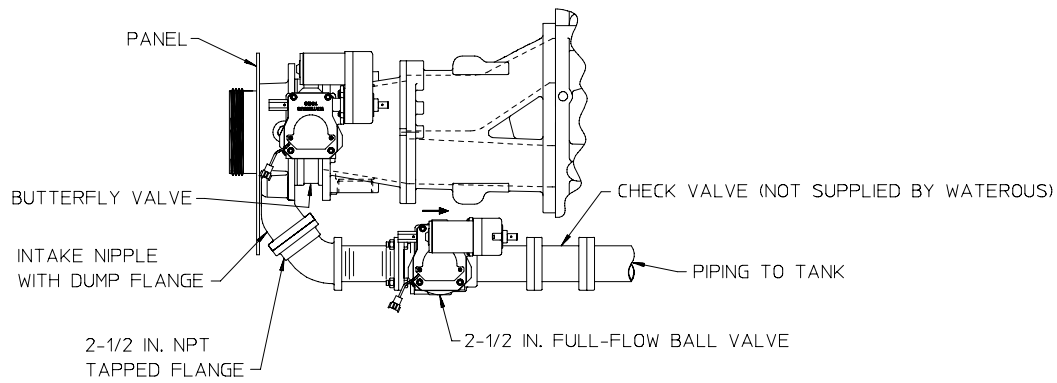
DESCRIPTION	PART NO.	TAP A
TAPPED FLANGE	82916-4A	2-1/2 NPT
	82916-4B	3 NPT
	82916-4C	3-1/2 NPT
	82916-4D	4 NPT



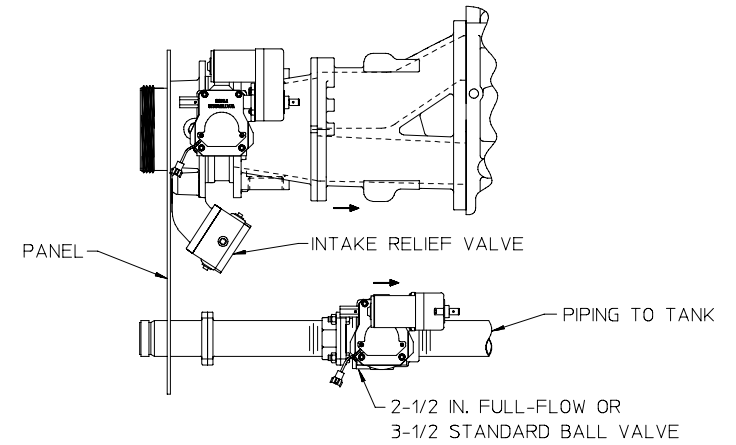
PART NO.	DESCRIPTION	INCLUDES O-RING
82916-4F	2.5 NPT TAPPED FLANGE	W 3756-4

ALL DIMENSIONS SHOWN  
AS INCH/MILLIMETER  
( INCH  
MILLIMETER )

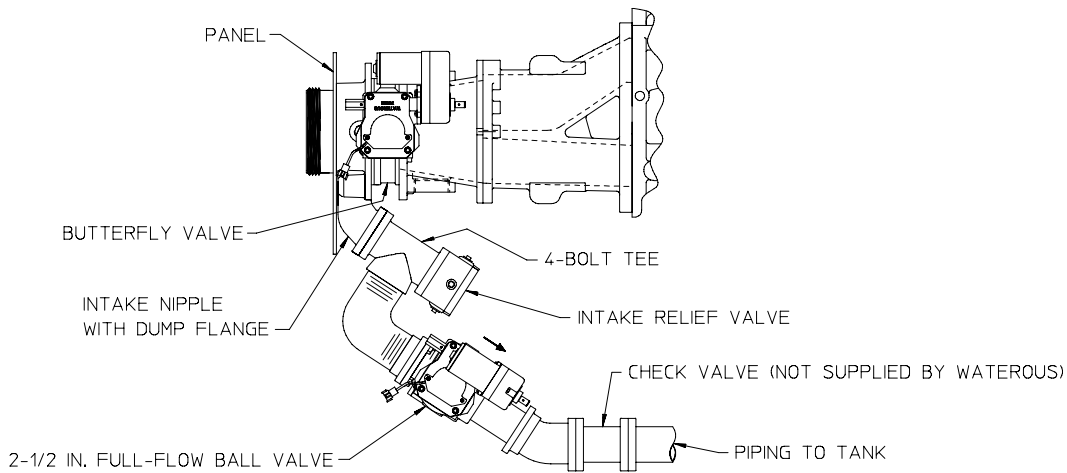
**OPTIONAL TAPPED FLANGES AND FITTINGS**



**2-1/2 IN. FULL-FLOW BALL VALVE MOUNTED ON INTAKE NIPPLE DUMP FLANGE, INTAKE RELIEF VALVE NOT USED**



**2-1/2 FULL-FLOW OR 3-1/2 STANDARD BALL VALVE MOUNTED IN A SEPARATE EXTERNAL FILL LINE**



**2-1/2 IN. FULL-FLOW BALL VALVE MOUNTED ON INTAKE NIPPLE DUMP FLANGE WITH INTAKE RELIEF VALVE**

**TYPICAL BALL VALVE INSTALLATIONS**