



Document Number	Issue Date	Rev. Date
DPL82946	01/24/07	2/7/22

Dimensional Drawings for PB18 Series Portable Pump

Pump Series	Instrument Panel	Pump Model	Intake	Discharge	Base	Mast Light	Exhaust Primer	Fuel Tank	Ass'y No.	See Page	
PB18	With (Standard)	PB18-2515B	2-1/2 in. NPT	Right Facing Ball Valve with 1-1/2 in. NH Adapter	Wrap Around (1)	Yes	Yes	Yes	82944-1	5	
						No	Yes	Yes	82944-2		
					Rail	N/A	Yes	Yes	82944-3	6	
							No	Yes	82944-19		
					No Base	N/A	No	No	82944-20		
							Yes	No	82944-21		
				No Base	N/A	Yes	Yes	82944-22	7		
						No	No	82944-23			
				No Base	N/A	Yes	Yes	82944-24			
						No	No	82944-25			
				2-1/2 in. BSP (Tapered)	Right Facing Ball Valve with 1-1/2 in. NPT (F) Adapter	Wrap Around (1)	Yes	Yes	Yes	82944-4	5
							No	Yes	Yes	82944-5	
			Rail			N/A	Yes	Yes	82944-6	6	
							No	Yes	82944-26		
			No Base			N/A	Yes	No	82944-27		
							No	No	82944-28		
			No Base		N/A	Yes	Yes	82944-29	7		
						No	No	82944-30			
			No Base		N/A	Yes	Yes	82944-31			
						No	No	82944-32			
			Right Facing Ball Valve with 1-1/2 in. BSP (Tapered) (F) Adapter		Wrap Around (1)	Yes	Yes	Yes	82944-64	5	
						No	Yes	Yes	82944-65		
				Rail	N/A	Yes	Yes	82944-66	6		
						No	No	82944-67			
No Base	N/A	Yes		Yes	82944-68						
		No		No	82944-69						
No Base	N/A	Yes	Yes	82944-70	7						
		No	No	82944-71							
No Base	N/A	Yes	Yes	82944-72							
		No	No	82944-73							

Note:

1. Wrap around base is not available for all situations. See ordering information on page 21.

Dimensional Drawings for PB18 Series Portable Pump

Pump Series	Instrument Panel	Pump Model	Intake	Discharge	Base	Mast Light	Exhaust Primer	Fuel Tank	Ass'y No.	See Page
PB18	With (Standard)	PB18-2515F	2-1/2 in. NPT	Right Facing 1-1/2 in. NPT (F) Adapter (No Ball Valve)	Wrap Around (1)	Yes	Yes	Yes	82944-7	8
						No	Yes	Yes	82944-8	
					Rail	N/A	Yes	Yes	82944-9	9
							No	No	82944-33	
							Yes	Yes	82944-34	
					No Base	N/A	No	No	82944-35	
							Yes	Yes	82944-6	10
			No	No	82944-37					
			Yes	Yes	82944-8					
			No	No	82944-39					
			2-1/2 in. BSP (Tapered)	Right Facing 1-1/2 in. BSP (Tapered) (F) Adapter (No Ball Valve)	Wrap Around (1)	Yes	Yes	Yes	82944-74	8
						No	Yes	Yes	82944-75	
					Rail	N/A	Yes	Yes	82944-76	9
							No	No	82944-80	
Yes	Yes	82944-81								
No Base	N/A	No			No	82944-82				
		Yes			Yes	82944-83	10			
No	No	82944-84								
Yes	Yes	82944-85								
No	No	82944-86								

Note:

1. Wrap around base is not available for all situations. See ordering information on page 21.

Dimensional Drawings for PB18 Series Portable Pump

Pump Series	Instrument Panel	Pump Model	Intake	Discharge	Base	Mast Light	Exhaust Primer	Fuel Tank	Ass'y No.	See Page
PB18	With (Standard)	PB18-3030C	3 in. NPT	Right Facing Elbow with 3 in. NPT and Check Valve (No Auxiliary Tap)	Wrap Around (1)	Yes	Yes	Yes	82944-10	11
						No	Yes	Yes	82944-11	
					Rail	N/A	Yes	Yes	82944-12	12
								No	82944-40	
							No	Yes	82944-41	
								No	82944-42	
					No Base	N/A	Yes	Yes	82944-43	13
								No	82944-44	
			No	Yes			82944-45			
				No			82944-46			
			3 in. BSP (Tapered)	Right Facing Elbow with 3 in. BSP (Tapered) and Check Valve (No Auxiliary Tap)	Wrap Around (1)	Yes	Yes	82944-77	11	
						No	Yes	82944-78		
					Rail	N/A	Yes	Yes	82944-79	12
								No	82944-87	
							No	Yes	82944-88	
								No	82944-89	
No Base	N/A	Yes			Yes	82944-90	13			
					No	82944-91				
		No	Yes	82944-92						
			No	82944-93						

Note:

1. Wrap around base is not available for all situations. See ordering information on page 21.

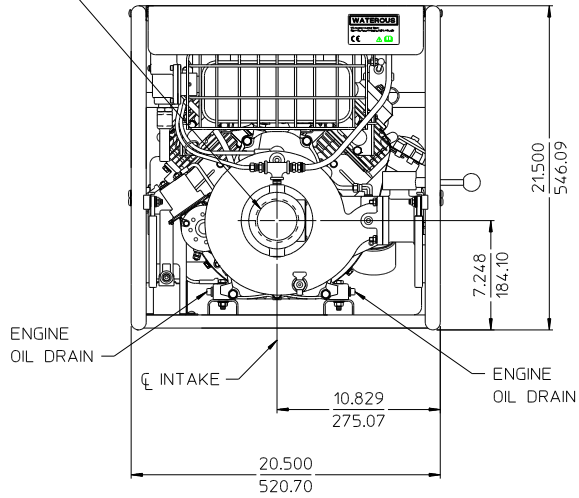
Dimensional Drawings for PB18 Series Portable Pump

Pump Series	Instrument Panel	Pump Model	Intake	Discharge	Base	Mast Light	Exhaust Primer	Fuel Tank	Ass'y No.	See Page		
PB18	With (Standard)	PB18-3030E	3 in. NPT	Front Facing Elbow with 3 in. NPT Tap (No Check Valve)	Wrap Around (1)	N/A	N/A	N/A	N/A	N/A		
					Rail	N/A	Yes	Yes	82944-15	14		
							No	No	82944-47			
					No Base	N/A	Yes	Yes	82944-48			
							No	No	82944-49			
					No Base	N/A	Yes	Yes	82944-50	15		
			No	No			82944-51					
			No	Yes	82944-52							
			No	No	82944-53							
			3 in. BSP (Tapered)	Front Facing Elbow with 3 in. BSP (Tapered) Tap (No Check Valve)	Wrap Around (1)	N/A	N/A	N/A	N/A	N/A	N/A	N/A
					Rail	N/A	Yes	Yes	82944-94	14		
							No	No	82944-95			
		No Base			N/A	Yes	Yes	82944-96				
						No	No	82944-97				
		No Base			N/A	Yes	Yes	82944-98	15			
			No	No		82944-99						
		No	Yes	82944-100								
		No	No	82944-101								
		PB18-4025B	4 in. British Round Thread	Front Facing Elbow with 2-1/2 BIC Valve	Wrap Around (1)	Yes	Yes	Yes	Yes	82944-16	16	
						No	Yes	Yes	Yes	82944-17		
					Rail	N/A	Yes	Yes	82944-18	17		
							No	No	82944-54			
					No Base	N/A	Yes	Yes	82944-55			
							No	No	82944-56			
No Base	N/A		Yes	Yes	82944-57	18						
			No	No	82944-58							
No	Yes		82944-59									
No	No		82944-60									
Fuel Tank and Instrument Panel Details for Remote Mounting (Rail Base or No Base)										19		
Ordering Information										20		

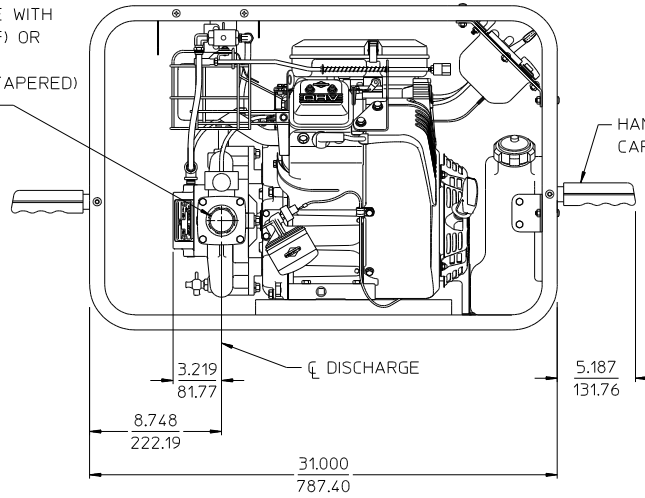
Note:

1. Wrap around base is not available for all situations. See ordering information on page 20.

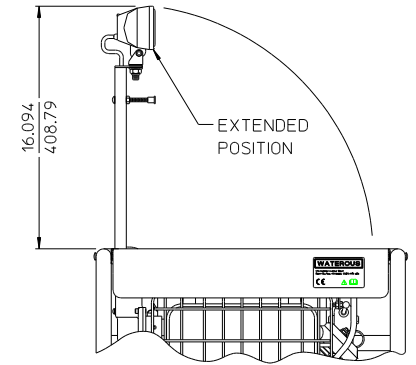
2-1/2 NPT OR
2-1/2 BSP (TAPERED)
INTAKE



BALL VALVE WITH
1-1/2 NPT (F) OR
1-1/2 NH OR
1-1/2 BSP (TAPERED)
DISCHARGE



HANDLES SHOWN IN
CARRYING POSITION



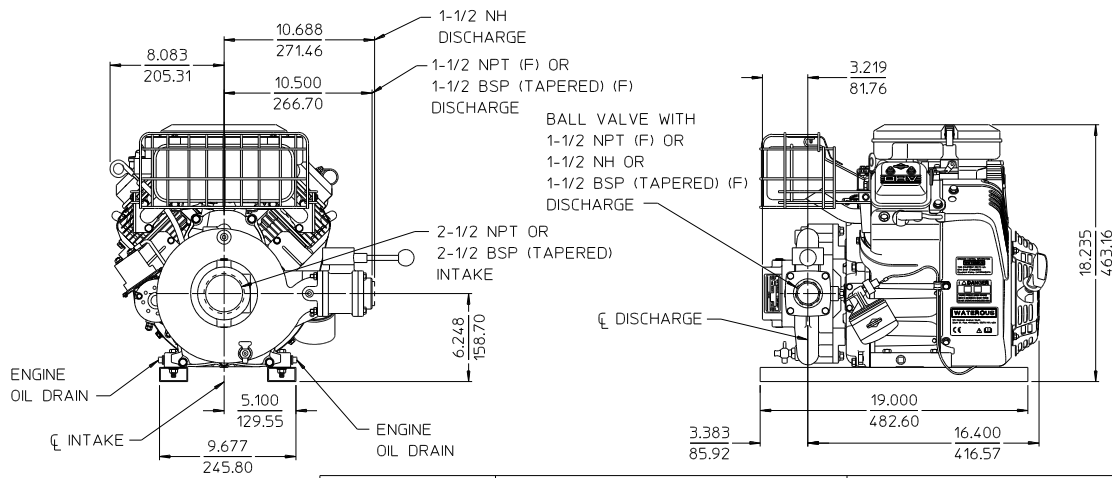
OPTIONAL MAST LIGHT

ALL DIMENSIONS SHOWN
AS INCH/MILLIMETER

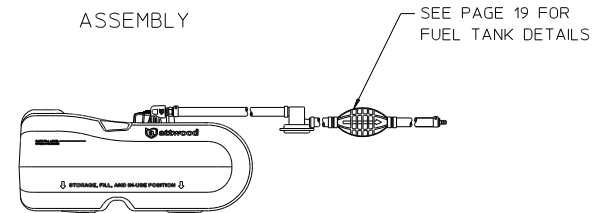
(INCH)
(MILLIMETER)

WRAP-AROUND BASE	1-1/2 IN. NH DISCHARGE		1-1/2 IN. NPT (F) DISCHARGE		1-1/2 IN. BSP (TAPERED) (F) DISCHARGE	
	MAST LIGHT		MAST LIGHT		MAST LIGHT	
	YES	NO	YES	NO	YES	NO
	82944-1	82944-2	82944-4	82944-5	82944-64	82944-65

MODEL PB18-2515B



INSTRUMENT PANEL ASSEMBLY

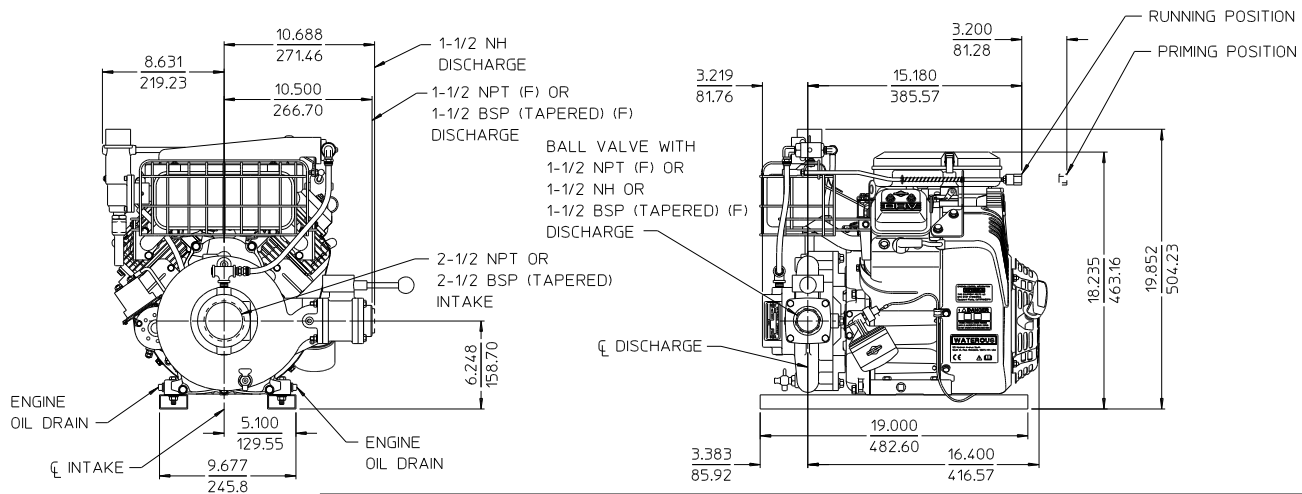


FUEL TANK ASSEMBLY

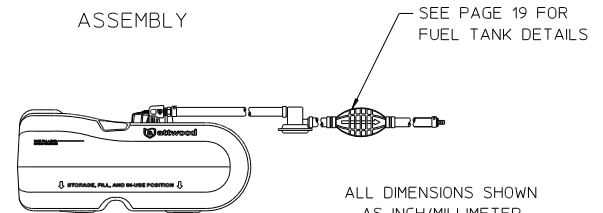
RAIL BASE WITHOUT EXHAUST PRIMER	1-1/2 IN. NH DISCHARGE		1-1/2 IN. NPT (F) DISCHARGE		1-1/2 IN. BSP (TAPERED) (F) DISCHARGE	
	FUEL TANK		FUEL TANK		FUEL TANK	
	YES	NO	YES	NO	YES	NO
	82944-20	82944-21	82944-27	82944-28	82944-68	82944-69

ALL DIMENSIONS SHOWN AS INCH/MILLIMETER
 (INCH / MILLIMETER)

MODEL PB18-2515B



INSTRUMENT PANEL ASSEMBLY

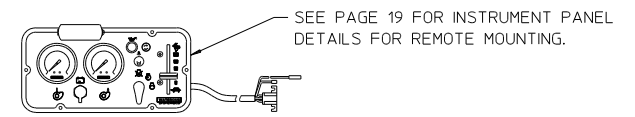
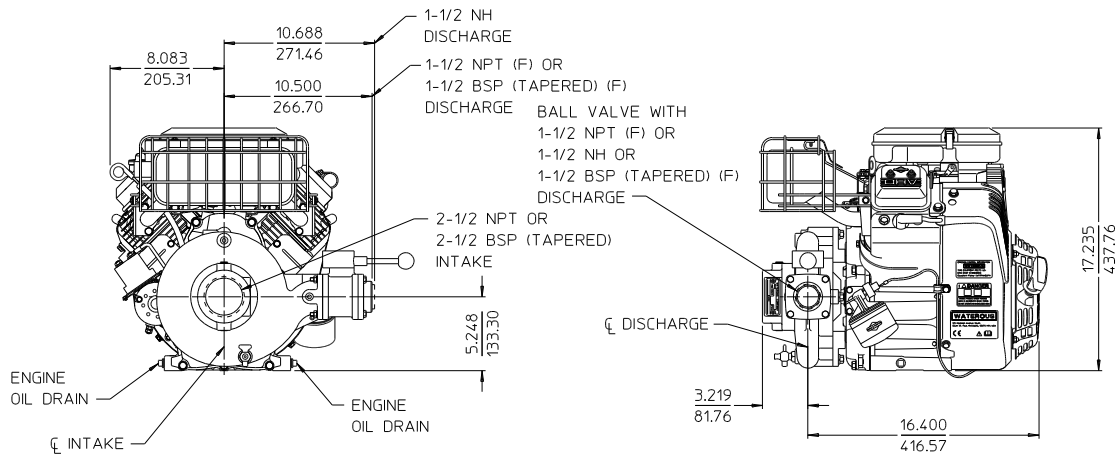


FUEL TANK ASSEMBLY

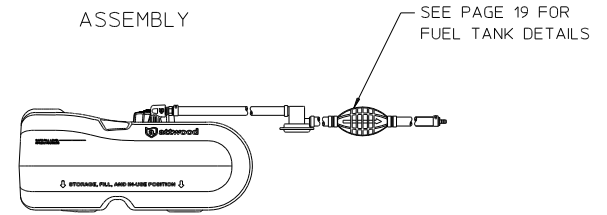
ALL DIMENSIONS SHOWN AS INCH/MILLIMETER
 (INCH / MILLIMETER)

RAIL BASE WITH EXHAUST PRIMER	1-1/2 IN. NH DISCHARGE		1-1/2 IN. NPT (F) DISCHARGE		1-1/2 IN. BSP (TAPERED) (F) DISCHARGE	
	FUEL TANK		FUEL TANK		FUEL TANK	
	YES	NO	YES	NO	YES	NO
	82944-3	82944-19	82944-6	82944-26	82944-66	82944-67

MODEL PB18-2515B



INSTRUMENT PANEL ASSEMBLY

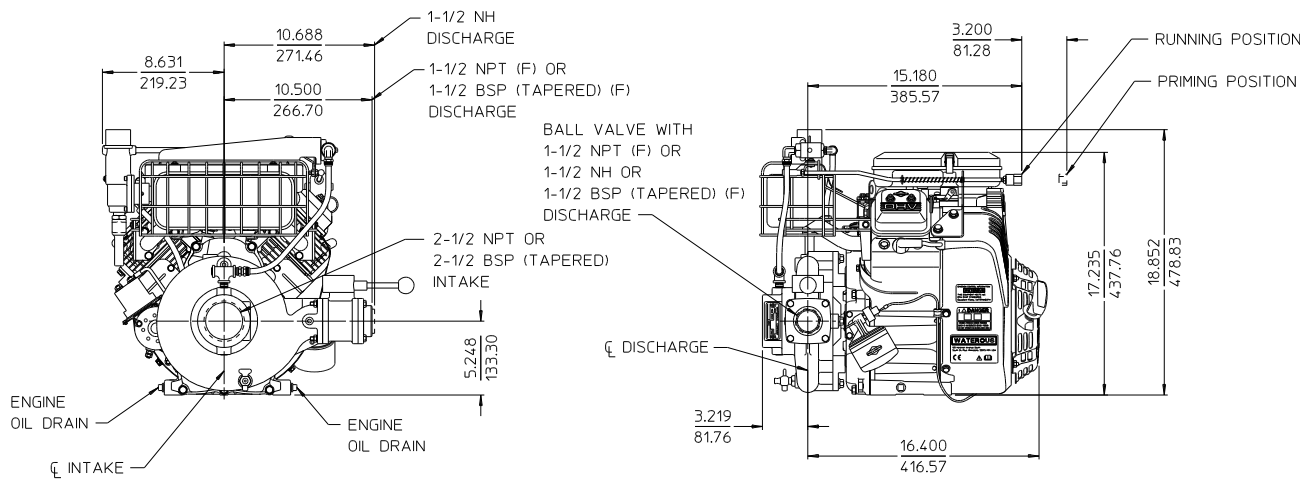


FUEL TANK ASSEMBLY

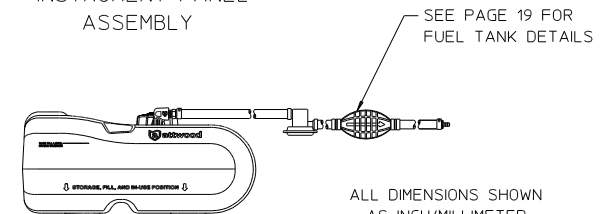
MODEL PB18-2515B

NO BASE WITHOUT EXHAUST PRIMER	1-1/2 IN. NH DISCHARGE		1-1/2 IN. NPT (F) DISCHARGE		1-1/2 IN. BSP (TAPERED) (F) DISCHARGE	
	FUEL TANK		FUEL TANK		FUEL TANK	
	YES	NO	YES	NO	YES	NO
	82944-24	82944-25	82944-31	82944-32	82944-72	82944-73

ALL DIMENSIONS SHOWN AS INCH/MILLIMETER
 (INCH / MILLIMETER)



INSTRUMENT PANEL ASSEMBLY



FUEL TANK ASSEMBLY

MODEL PB18-2515B

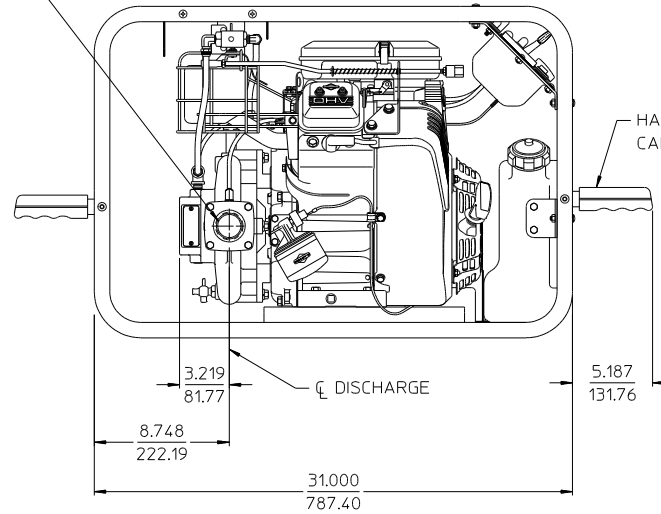
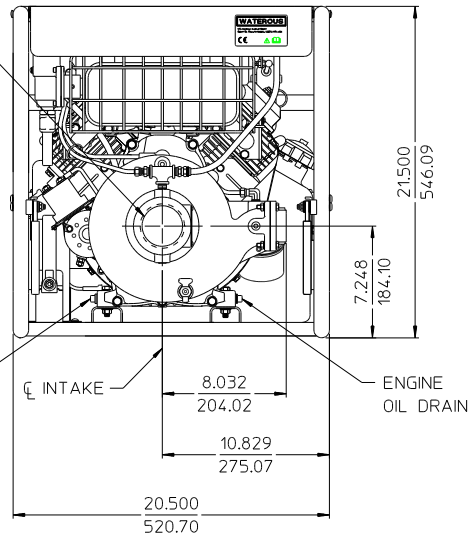
NO BASE WITH EXHAUST PRIMER	1-1/2 IN. NH DISCHARGE		1-1/2 IN. NPT (F) DISCHARGE		1-1/2 IN. BSP (TAPERED) (F) DISCHARGE	
	FUEL TANK		FUEL TANK		FUEL TANK	
	YES	NO	YES	NO	YES	NO
	82944-22	82944-23	82944-29	82944-30	82944-70	82944-71

ALL DIMENSIONS SHOWN AS INCH/MILLIMETER
 (INCH / MILLIMETER)

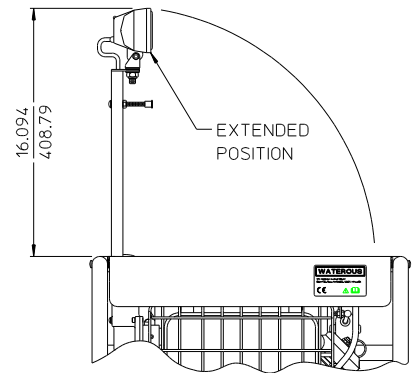
2-1/2 NPT OR
2-1/2 BSP (TAPERED)
INTAKE

1-1/2 NPT (F) OR
1-1/2 BSP (TAPERED) (F)
DISCHARGE

ENGINE
OIL DRAIN



HANDLES SHOWN IN
CARRYING POSITION



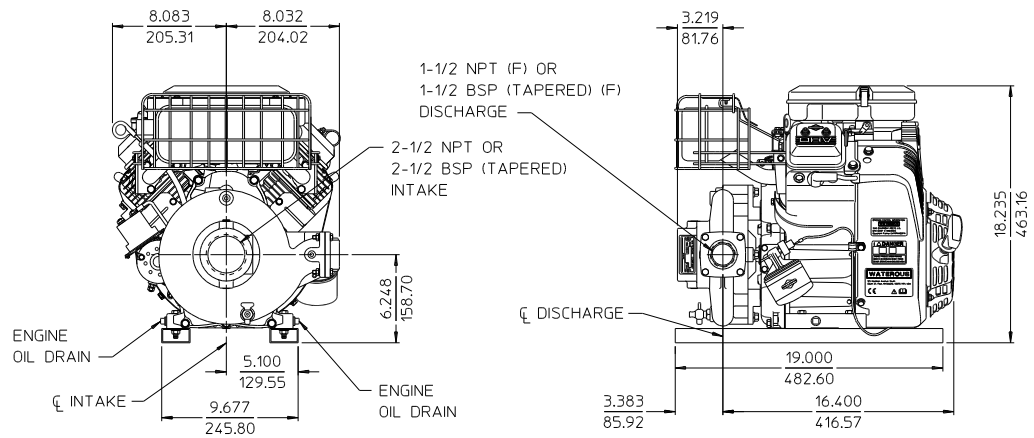
OPTIONAL MAST LIGHT

ALL DIMENSIONS SHOWN
AS INCH/MILLIMETER

($\frac{\text{INCH}}{\text{MILLIMETER}}$)

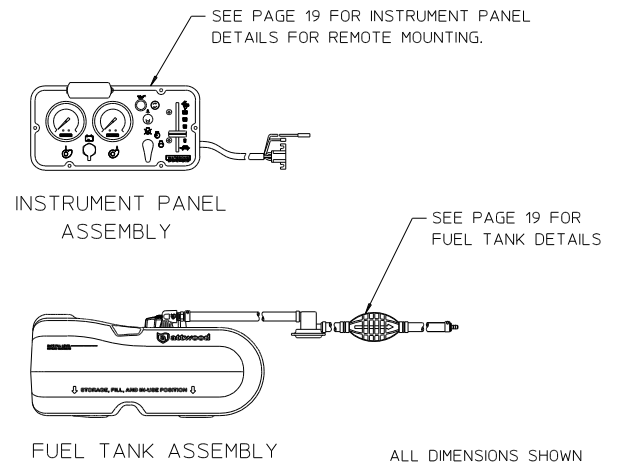
WRAP-AROUND BASE	1-1/2 IN. NPT (F) DISCHARGE		1-1/2 IN. BSP (TAPERED) (F) DISCHARGE	
	MAST LIGHT		MAST LIGHT	
	YES	NO	YES	NO
	82944-7	82944-8	82944-74	82944-75

MODEL PB18-2515F



MODEL PB18-2515F

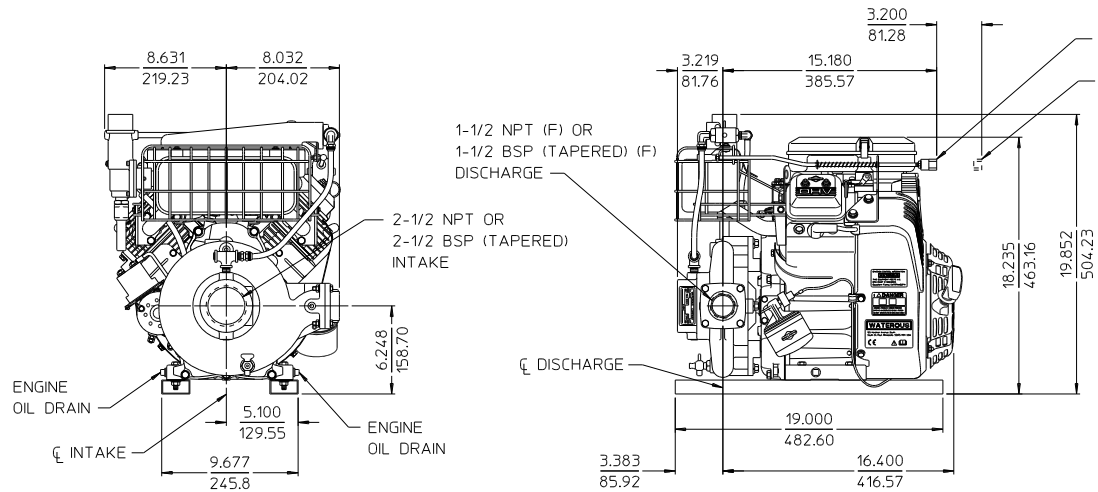
RAIL BASE WITHOUT EXHAUST PRIMER	1-1/2 IN. NPT (F) DISCHARGE		1-1/2 IN. BSP (TAPERED) (F) DISCHARGE	
	FUEL TANK		FUEL TANK	
	YES	NO	YES	NO
	82944-34	82944-35	82944-81	82944-82



FUEL TANK ASSEMBLY

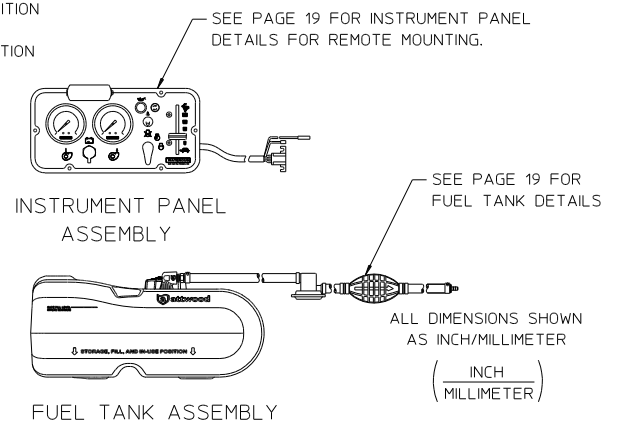
ALL DIMENSIONS SHOWN AS INCH/MILLIMETER

(INCH / MILLIMETER)



MODEL PB18-2515F

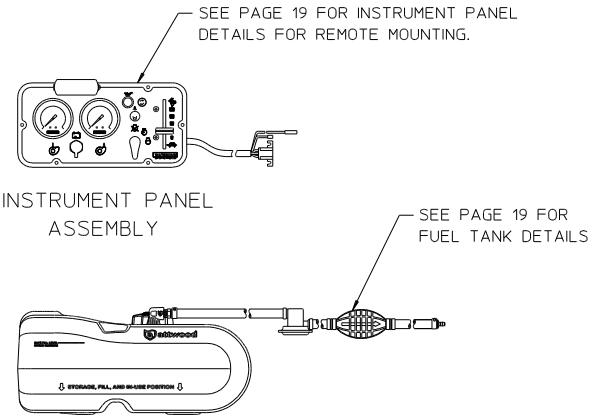
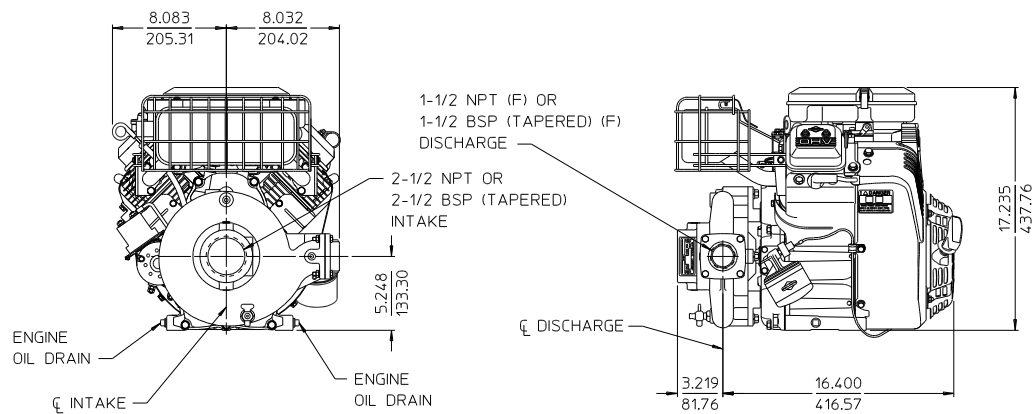
RAIL BASE WITH EXHAUST PRIMER	1-1/2 IN. NPT (F) DISCHARGE		1-1/2 IN. BSP (TAPERED) (F) DISCHARGE	
	FUEL TANK		FUEL TANK	
	YES	NO	YES	NO
	82944-9	82944-33	82944-76	82944-80



FUEL TANK ASSEMBLY

ALL DIMENSIONS SHOWN AS INCH/MILLIMETER

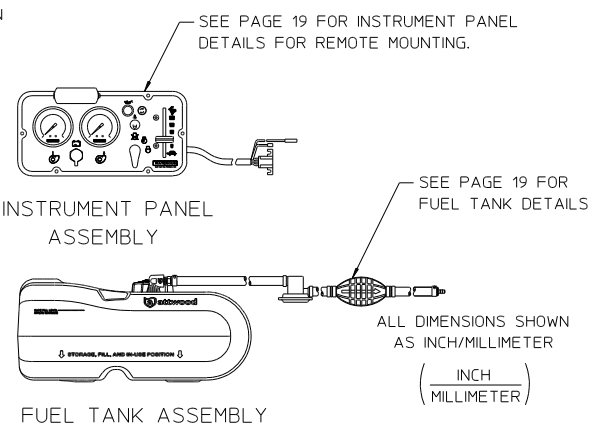
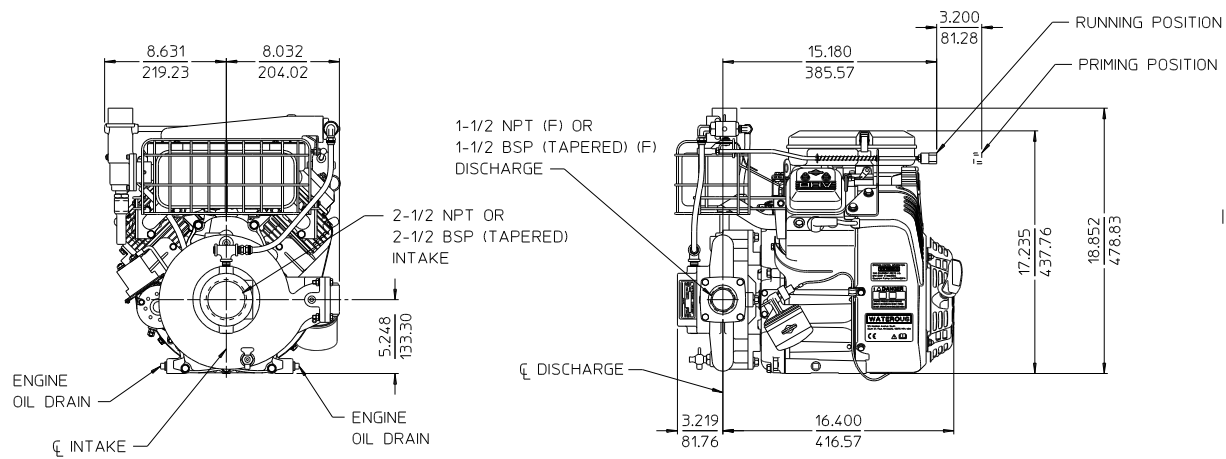
(INCH / MILLIMETER)



MODEL PB18-2515F

NO BASE WITHOUT EXHAUST PRIMER	1-1/2 IN. NPT (F) DISCHARGE		1-1/2 IN. BSP (TAPERED) (F) DISCHARGE	
	FUEL TANK		FUEL TANK	
	YES	NO	YES	NO
	82944-38	82944-39	82944-85	82944-86

ALL DIMENSIONS SHOWN AS INCH/MILLIMETER
 (INCH)
 (MILLIMETER)

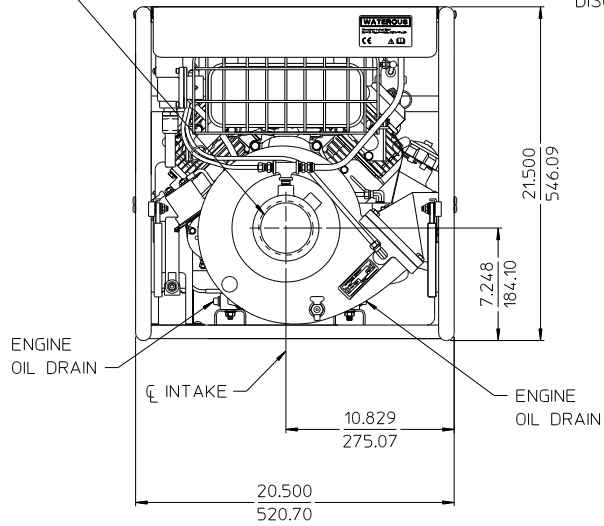


MODEL PB18-2515F

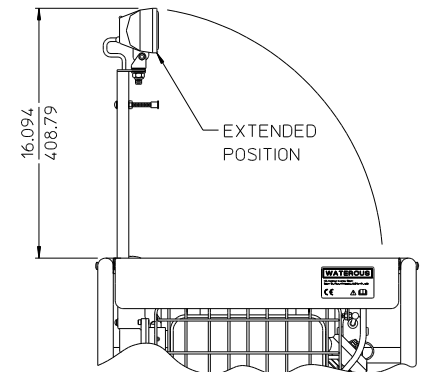
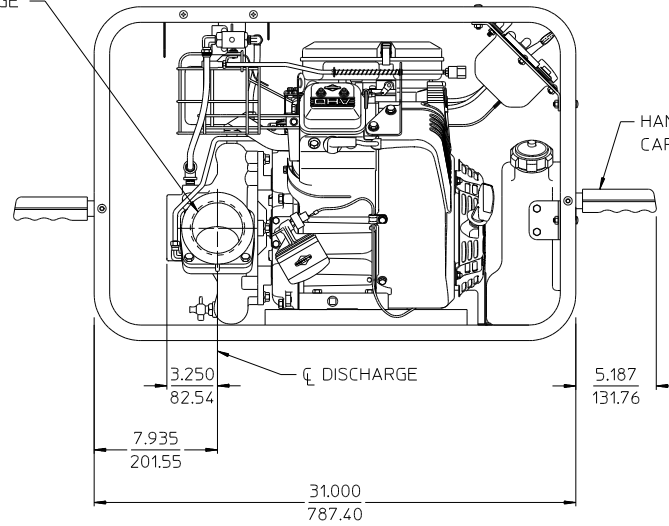
NO BASE WITH EXHAUST PRIMER	1-1/2 IN. NPT (F) DISCHARGE		1-1/2 IN. BSP (TAPERED) (F) DISCHARGE	
	FUEL TANK		FUEL TANK	
	YES	NO	YES	NO
	82944-36	82944-37	82944-83	82944-84

ALL DIMENSIONS SHOWN AS INCH/MILLIMETER
 (INCH)
 (MILLIMETER)

3 IN. NPT OR
3 IN. BSP (TAPERED)
INTAKE



3 IN. NPT OR
3 IN. BSP (TAPERED)
DISCHARGE



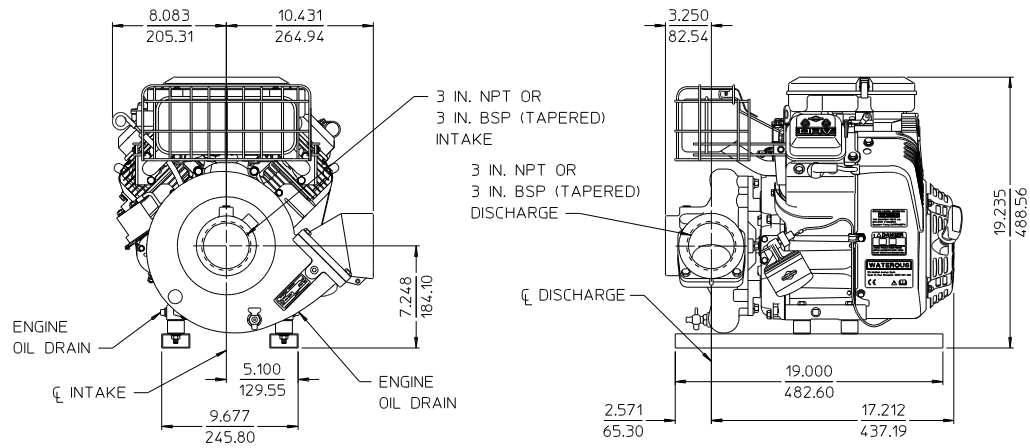
OPTIONAL MAST LIGHT

ALL DIMENSIONS SHOWN
AS INCH/MILLIMETER

($\frac{\text{INCH}}{\text{MILLIMETER}}$)

WRAP-AROUND BASE	3 IN. NPT DISCHARGE		3 IN. BSP (TAPERED) DISCHARGE	
	MAST LIGHT		MAST LIGHT	
	YES	NO	YES	NO
	82944-10	82944-11	82944-77	82944-78

MODEL PB18-3030C



MODEL PB18-3030C

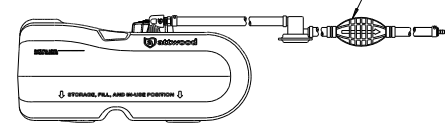
RAIL BASE WITHOUT EXHAUST PRIMER	3 IN. NPT (F) DISCHARGE		3 IN. BSP (TAPERED) (F) DISCHARGE	
	FUEL TANK		FUEL TANK	
	YES	NO	YES	NO
	82944-41	82944-42	82944-88	82944-89

SEE PAGE 19 FOR INSTRUMENT PANEL DETAILS FOR REMOTE MOUNTING.



INSTRUMENT PANEL ASSEMBLY

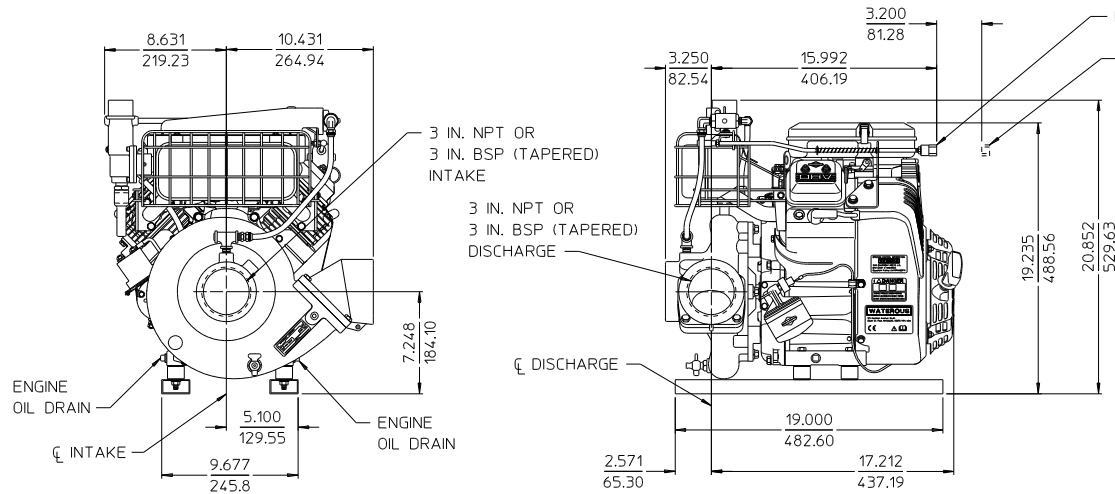
SEE PAGE 19 FOR FUEL TANK DETAILS



FUEL TANK ASSEMBLY

ALL DIMENSIONS SHOWN AS INCH/MILLIMETER

(INCH / MILLIMETER)



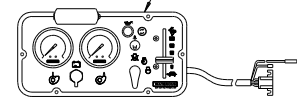
MODEL PB18-3030C

RAIL BASE WITH EXHAUST PRIMER	3 IN. NPT (F) DISCHARGE		3 IN. BSP (TAPERED) (F) DISCHARGE	
	FUEL TANK		FUEL TANK	
	YES	NO	YES	NO
	82944-12	82944-40	82944-79	82944-87

RUNNING POSITION

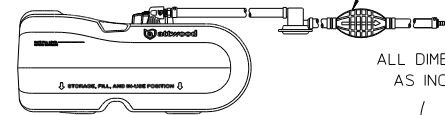
PRIMING POSITION

SEE PAGE 19 FOR INSTRUMENT PANEL DETAILS FOR REMOTE MOUNTING.



INSTRUMENT PANEL ASSEMBLY

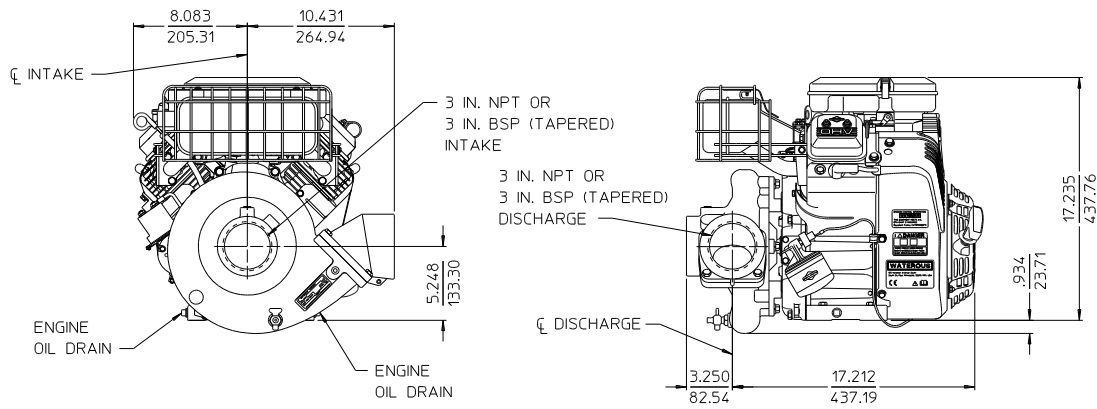
SEE PAGE 19 FOR FUEL TANK DETAILS



FUEL TANK ASSEMBLY

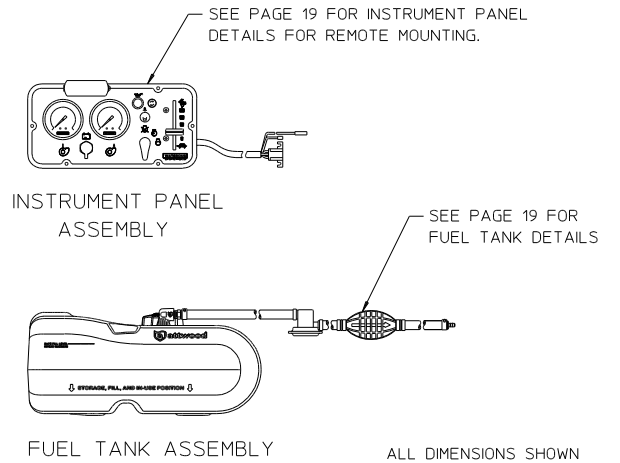
ALL DIMENSIONS SHOWN AS INCH/MILLIMETER

(INCH / MILLIMETER)



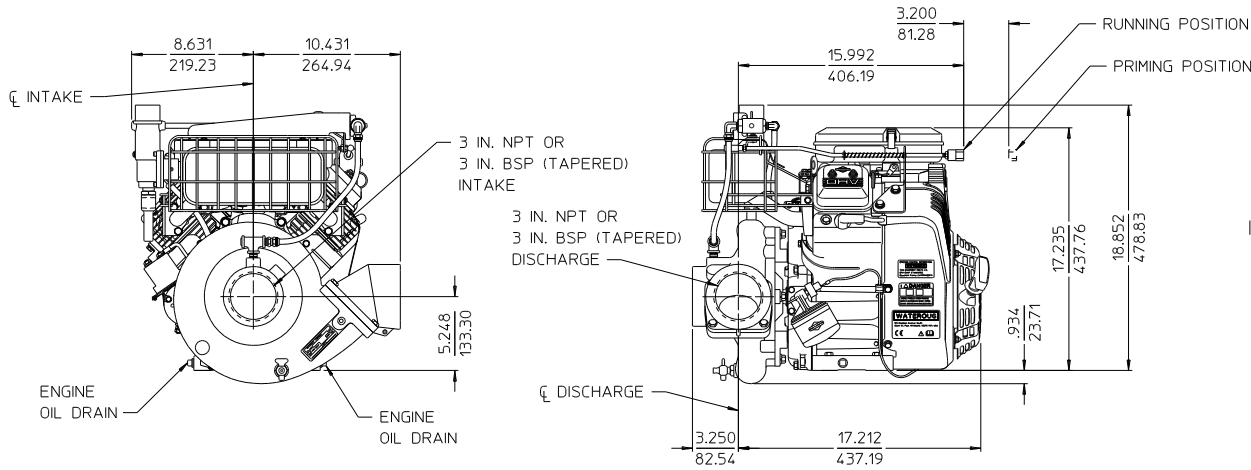
MODEL PB18-3030C

NO BASE WITHOUT EXHAUST PRIMER	3 IN. NPT (F) DISCHARGE		3 IN. BSP (TAPERED) (F) DISCHARGE	
	FUEL TANK		FUEL TANK	
	YES	NO	YES	NO
	82944-45	82944-46	82944-92	82944-93



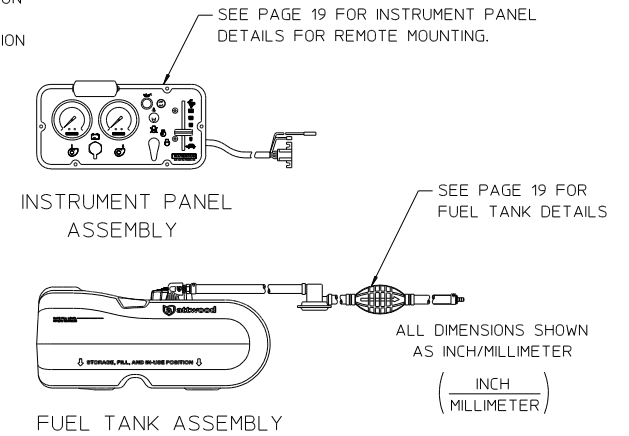
ALL DIMENSIONS SHOWN
AS INCH/MILLIMETER

(INCH)
(MILLIMETER)



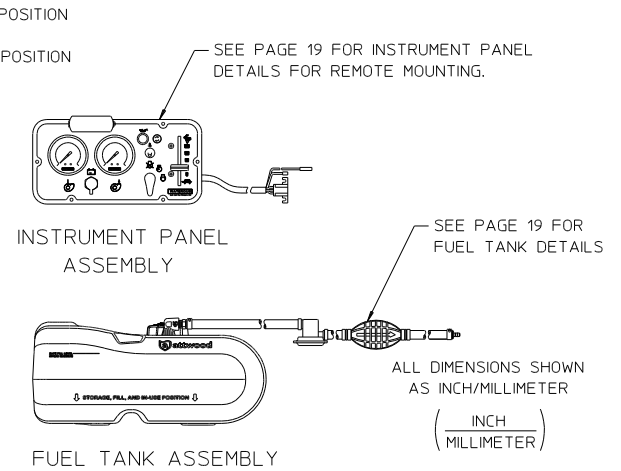
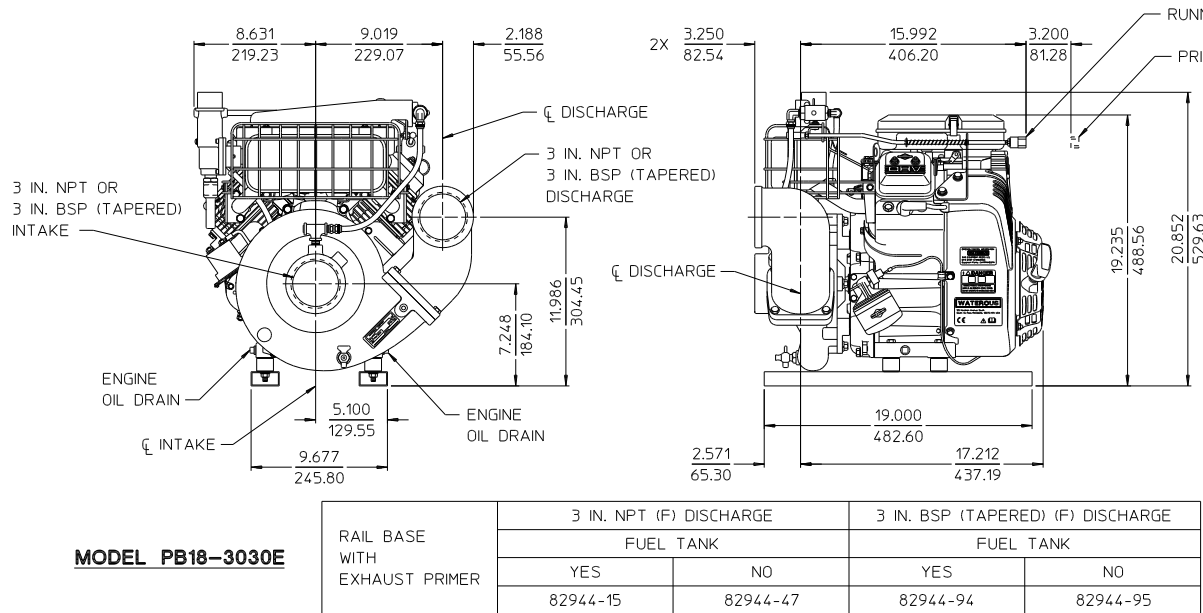
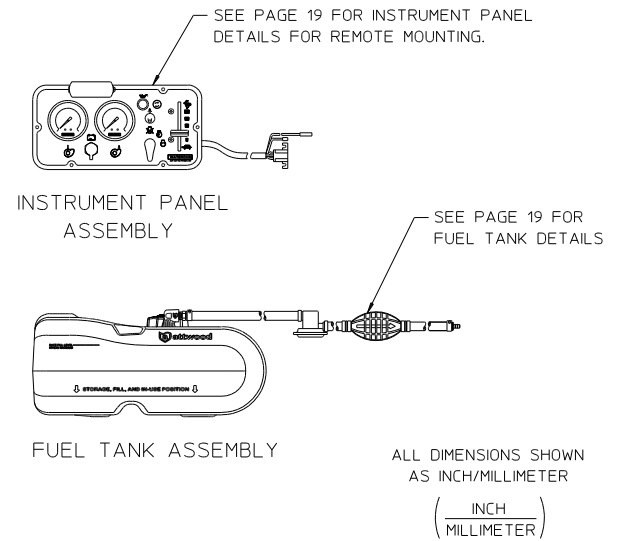
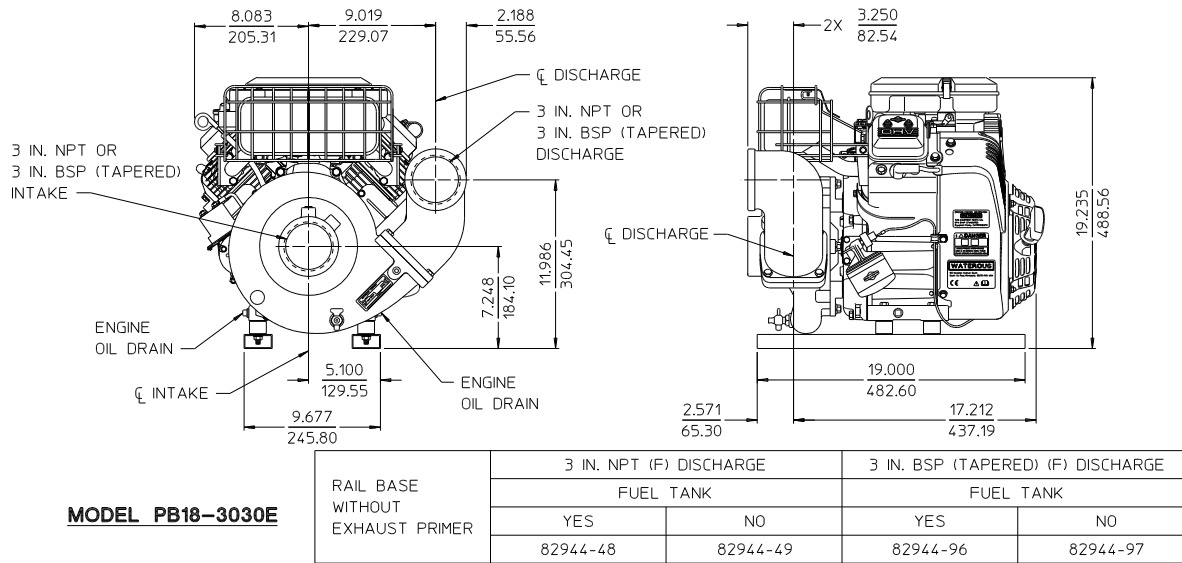
MODEL PB18-3030C

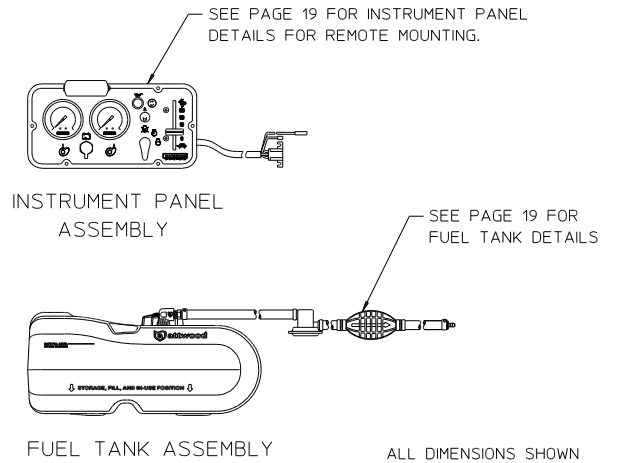
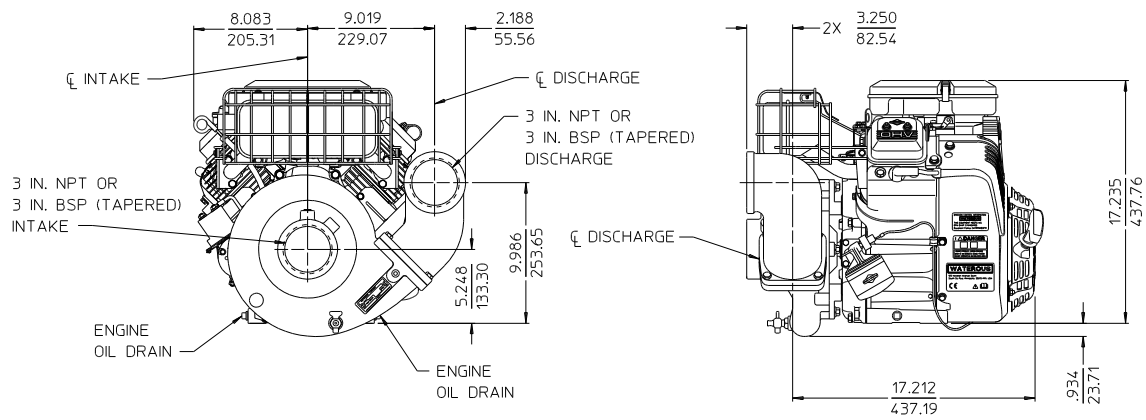
NO BASE WITH EXHAUST PRIMER	3 IN. NPT (F) DISCHARGE		3 IN. BSP (TAPERED) (F) DISCHARGE	
	FUEL TANK		FUEL TANK	
	YES	NO	YES	NO
	82944-43	82944-44	82944-90	82944-91



ALL DIMENSIONS SHOWN
AS INCH/MILLIMETER

(INCH)
(MILLIMETER)

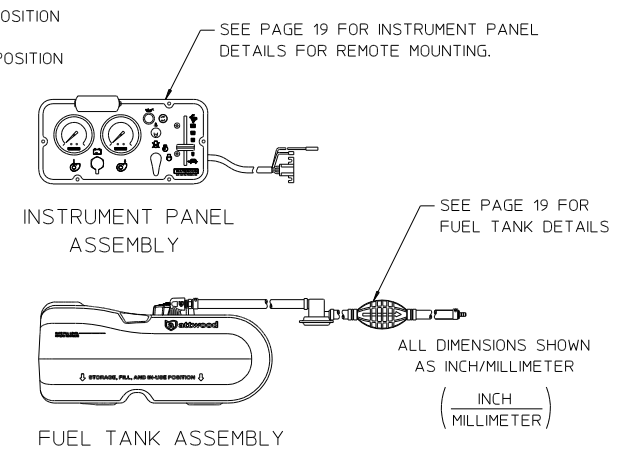
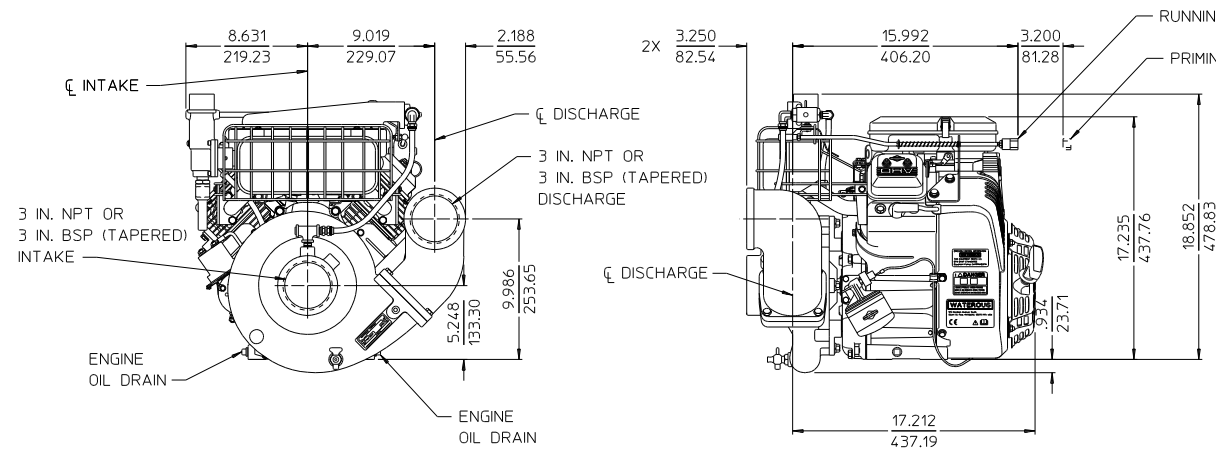




MODEL PB18-3030E

NO BASE WITHOUT EXHAUST PRIMER	3 IN. NPT (F) DISCHARGE		3 IN. BSP (TAPERED) (F) DISCHARGE	
	FUEL TANK		FUEL TANK	
	YES	NO	YES	NO
	82944-52	82944-53	82944-100	82944-101

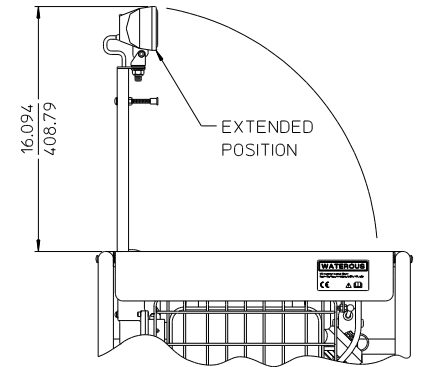
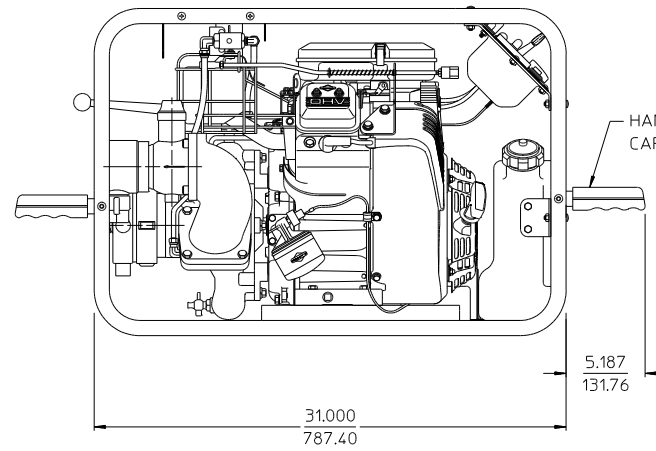
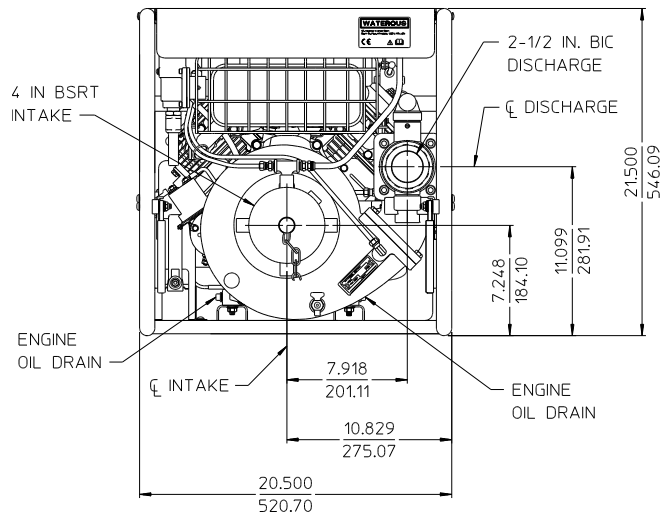
ALL DIMENSIONS SHOWN AS INCH/MILLIMETER
 (INCH)
 (MILLIMETER)



MODEL PB18-3030E

NO BASE WITH EXHAUST PRIMER	3 IN. NPT (F) DISCHARGE		3 IN. BSP (TAPERED) (F) DISCHARGE	
	FUEL TANK		FUEL TANK	
	YES	NO	YES	NO
	82944-50	82944-51	82944-98	82944-99

ALL DIMENSIONS SHOWN AS INCH/MILLIMETER
 (INCH)
 (MILLIMETER)



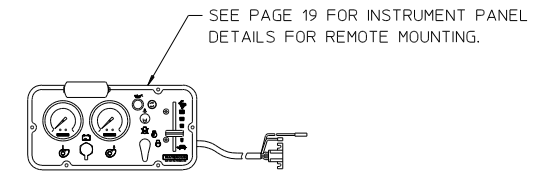
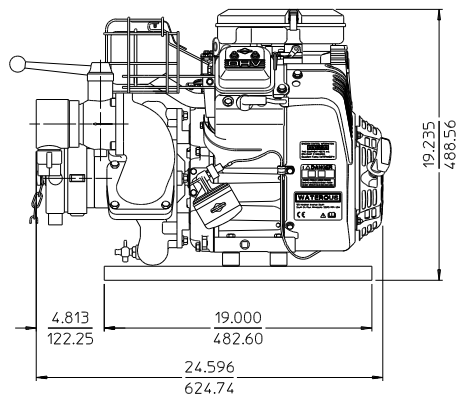
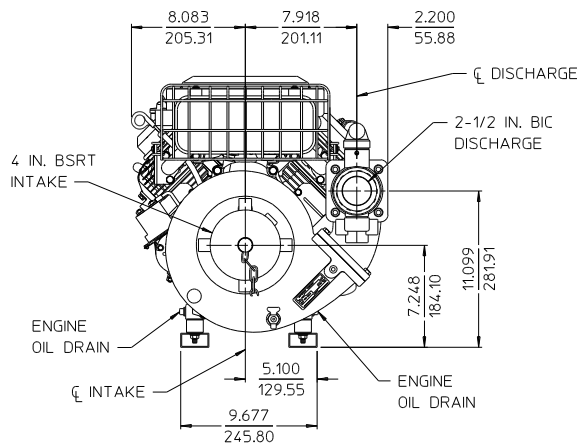
OPTIONAL MAST LIGHT

ALL DIMENSIONS SHOWN
AS INCH/MILLIMETER

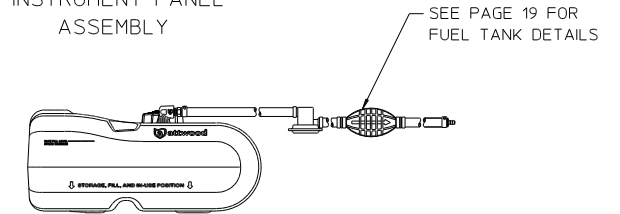
(INCH)
(MILLIMETER)

WRAP-AROUND BASE	MAST LIGHT	
	YES	NO
	82944-16	82944-17

MODEL PB18-4025B



INSTRUMENT PANEL ASSEMBLY

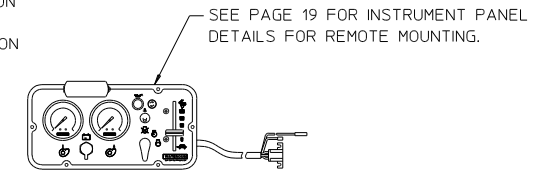
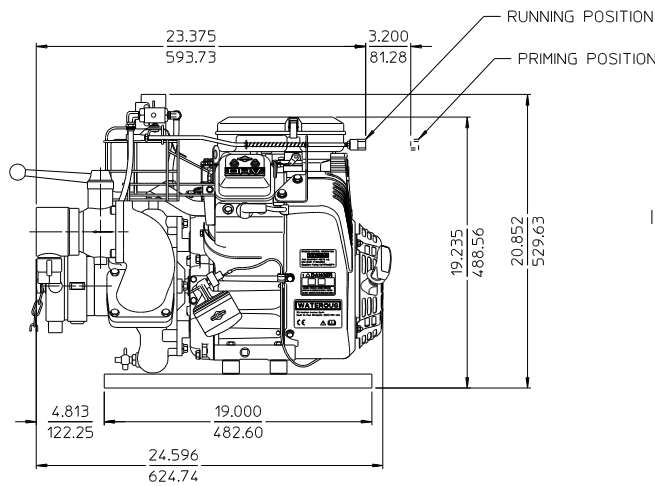
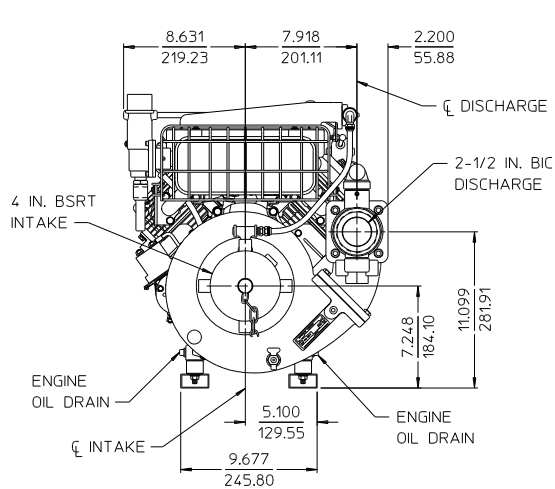


FUEL TANK ASSEMBLY

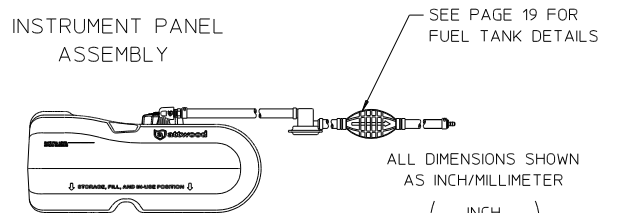
ALL DIMENSIONS SHOWN AS INCH/MILLIMETER
 (INCH / MILLIMETER)

MODEL PB18-4025B

RAIL BASE WITHOUT EXHAUST PRIMER	FUEL TANK	
	YES	NO
	82944-55	82944-56



INSTRUMENT PANEL ASSEMBLY

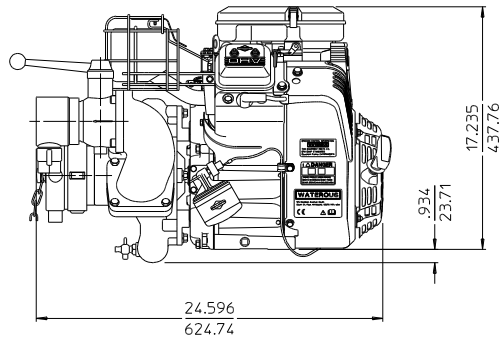
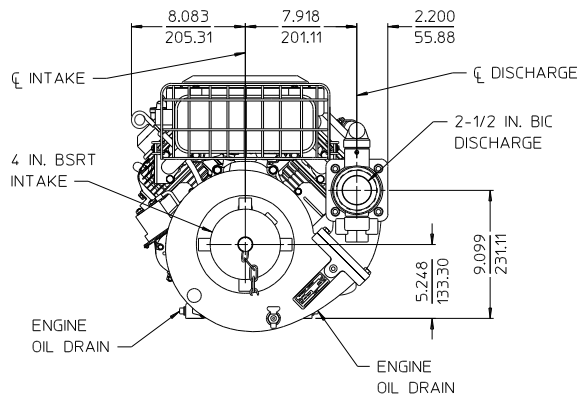


FUEL TANK ASSEMBLY

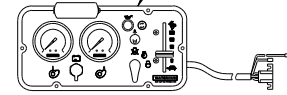
ALL DIMENSIONS SHOWN AS INCH/MILLIMETER
 (INCH / MILLIMETER)

MODEL PB18-4025B

RAIL BASE WITH EXHAUST PRIMER	FUEL TANK	
	YES	NO
	82944-18	82944-54

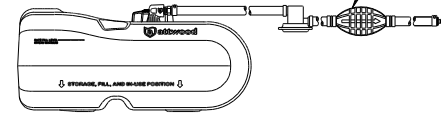


SEE PAGE 19 FOR INSTRUMENT PANEL
DETAILS FOR REMOTE MOUNTING.



INSTRUMENT PANEL
ASSEMBLY

SEE PAGE 19 FOR
FUEL TANK DETAILS



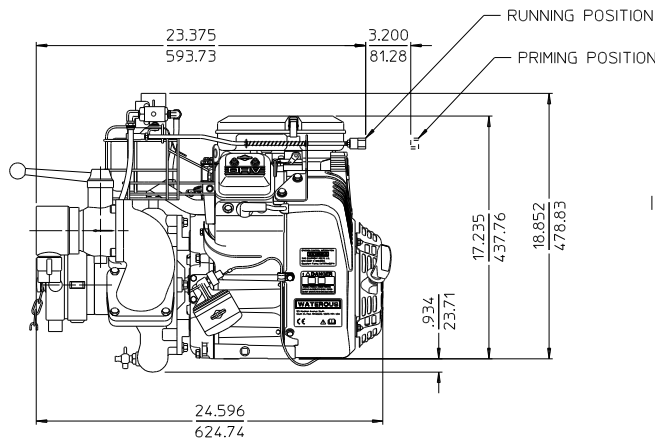
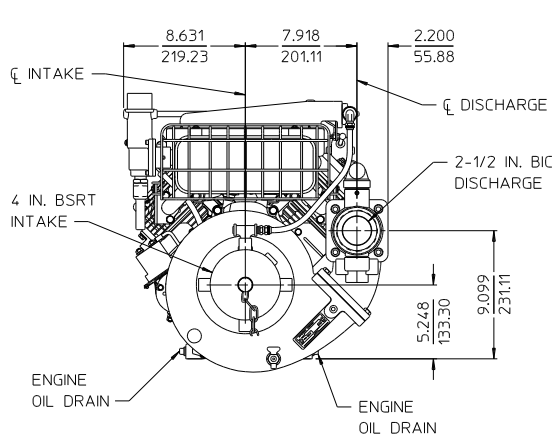
FUEL TANK ASSEMBLY

ALL DIMENSIONS SHOWN
AS INCH/MILLIMETER

(INCH
MILLIMETER)

MODEL PB18-4025B

NO BASE WITHOUT EXHAUST PRIMER	FUEL TANK	
	YES	NO
	82944-59	82944-60

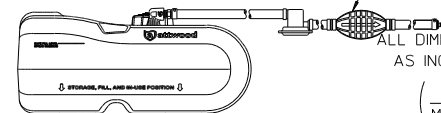


SEE PAGE 19 FOR INSTRUMENT PANEL
DETAILS FOR REMOTE MOUNTING.



INSTRUMENT PANEL
ASSEMBLY

SEE PAGE 19 FOR
FUEL TANK DETAILS



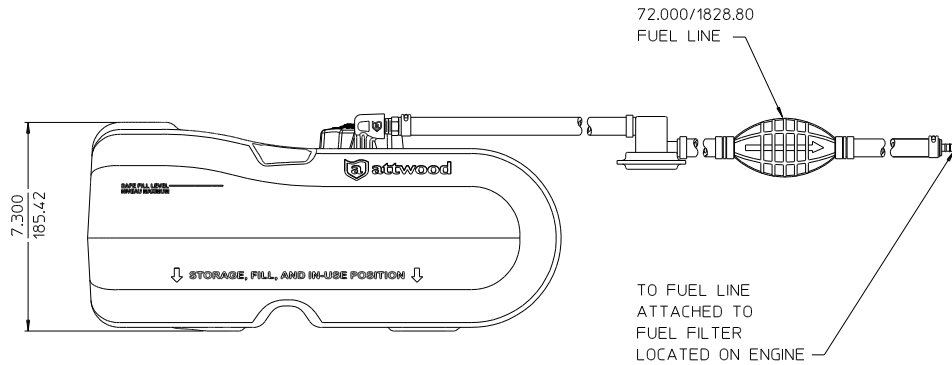
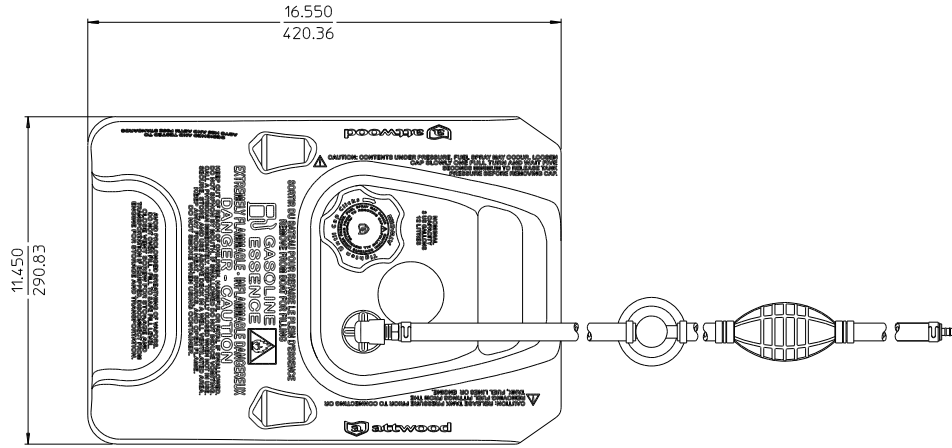
FUEL TANK ASSEMBLY

ALL DIMENSIONS SHOWN
AS INCH/MILLIMETER

(INCH
MILLIMETER)

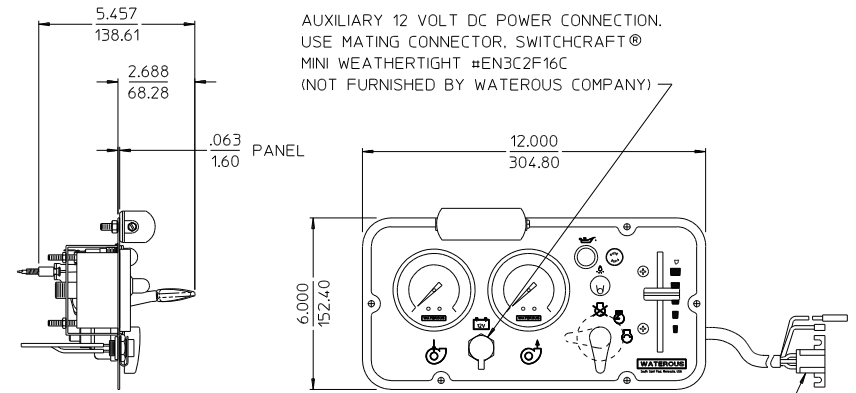
MODEL PB18-4025B

NO BASE WITH EXHAUST PRIMER	FUEL TANK	
	YES	NO
	82944-57	82944-58



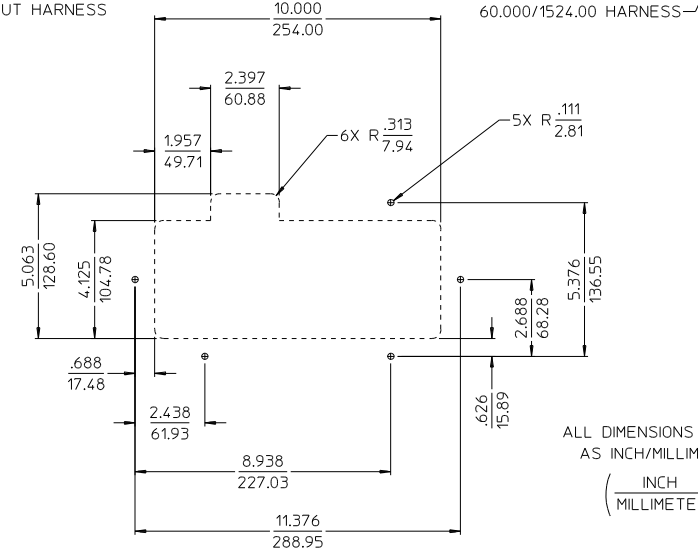
ALL DIMENSIONS SHOWN AS INCH/MILLIMETER
(INCH / MILLIMETER)

3 GALLON FUEL TANK DETAILS



AUXILIARY 12 VOLT DC POWER CONNECTION. USE MATING CONNECTOR, SWITCHCRAFT® MINI WEATHERTIGHT #EN3C2F16C (NOT FURNISHED BY WATEROUS COMPANY)

SIDE VIEW SHOWN WITHOUT HARNESS



ALL DIMENSIONS SHOWN AS INCH/MILLIMETER
(INCH / MILLIMETER)

CUTOUT FOR PANEL
INSTRUMENT PANEL DETAILS FOR REMOTE MOUNTING

ORDERING INFORMATION:
When ordering furnish the following information.

1. Pump Model

PB18-2515B
PB18-2515F
PB18-3030C
PB18-3030E
PB18-4025B

2. Assembly Number

Assy No's
82944-1 thru 82944-12
82944-15 thru 82944-60
82944-64 thru 82944-101

3. Type of Base

Available for Use in U.S.A. or Canada	Available for Use Outside U.S.A. or Canada
Rail	Rail
No Base	No Base
-	Wrap-Around

4. Mast Light

Wrap-Around Base	Rail or No Base
With or Without	Not Available

5. Exhaust Primer

Wrap-Around Base	Rail or No Base
With	With or Without

6. Fuel Tank

Rail or No Base (Tank Required if Pump is Used in the U.S.A. or Canada)	Wrap-Around Base
With separate 3 gallon (11 liter) tank with fuel guage	With integral 3 gallon (11 liter) tank with fuel gauge

7. Any optional thread adapters or caps.