



Document Number DPL82947	Issue Date 01/24/07	Rev. Date 2/7/22
------------------------------------	-------------------------------	----------------------------

Dimensional Drawings for PB18-G Series Portable Pump

Pump Series	Pump Model	Intake	Discharge	Instrument Panel	Base	Mast Light	Exhaust Primer	Fuel Tank	Ass'y No.		See Page
									NPT Intake & Discharge Taps	BSP (Straight Thread) Intake & Discharge Taps	
PB18-G	PB18-G2015B	2 in.	Right Facing Ball Valve with 1-1/2 in. (F) Adapter	With (Standard)	Wrap Around (1)	Yes	Yes	Yes	82945-1	-	3
						No	Yes	Yes	82945-2	-	
					Rail	N/A	Yes	Yes	82945-3	-	4
							No	No	82945-13	-	
							Yes	Yes	82945-14	-	
							No	No	82945-15	-	
				No Base	N/A	Yes	Yes	82945-16	-	5	
						No	No	82945-17	-		
						Yes	Yes	82945-18	-		
				With (European Style)	Wrap Around (1)	Yes	Yes	Yes	82945-7	82945-42	3
						No	Yes	Yes	82945-8	82945-43	
					Rail	N/A	Yes	Yes	82945-9	82945-44	4
							No	No	82945-20	82945-45	
							Yes	Yes	82945-21	82945-46	
							No	No	82945-22	82945-47	
					No Base	N/A	Yes	Yes	82945-23	82945-48	5
							No	No	82945-24	82945-49	
							Yes	Yes	82945-25	82945-50	
					No	No	No	82945-26	82945-51		

Note:
1. Wrap around base is not available for all situations. See ordering information on page 11.

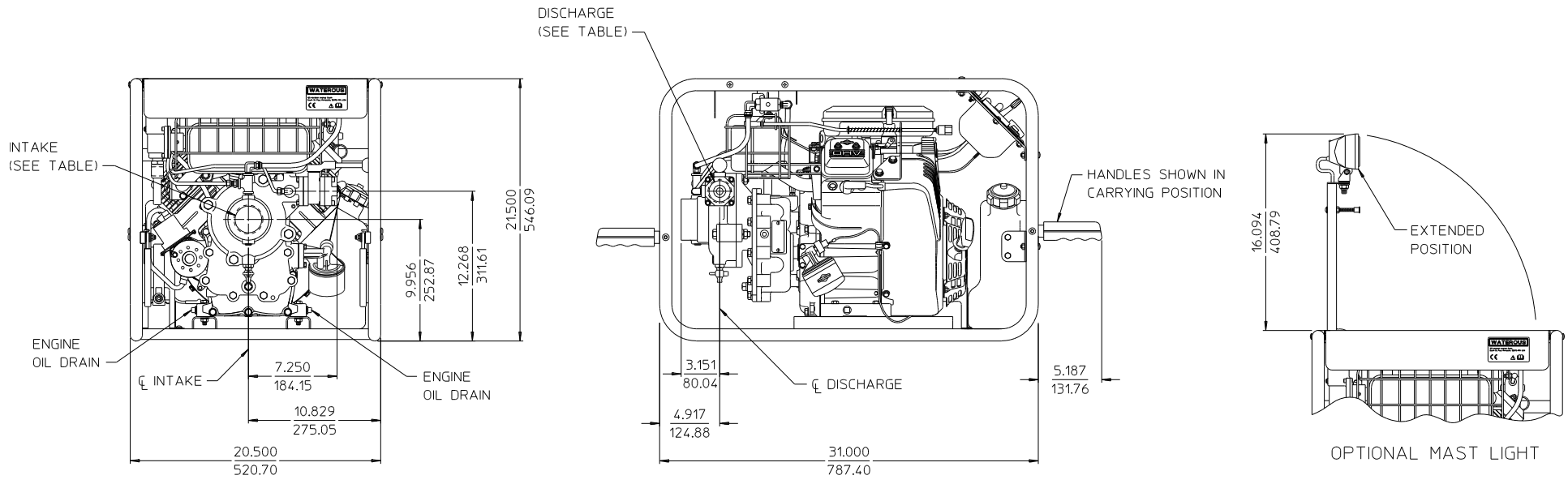
(Continued on Next Page)

Dimensional Drawings for PB18-G Series Portable Pump

Pump Series	Pump Model	Intake	Discharge	Instrument Panel	Base	Mast Light	Exhaust Primer	Fuel Tank	Ass'y No.		See Page	
									NPT Intake & Discharge Taps	BSP (Straight Thread) Intake & Discharge Taps		
PB18-G	PB18-G2015F	2 in.	Right Facing 1-1/2 in. (F) Adapter	With (Standard)	Wrap Around (1)	Yes	Yes	Yes	82945-4	-	6	
						No	Yes	Yes	82945-5	-		
					Rail	N/A	Yes	Yes	82945-6	-	7	
							No	Yes	82945-27	-		
							No	Yes	82945-28	-		
							No	Yes	82945-29	-		
				No Base	N/A	Yes	Yes	82945-30	-	8		
						No	Yes	82945-31	-			
						No	Yes	82945-32	-			
						No	Yes	82945-33	-			
				With (European Style)	Wrap Around (1)	Yes	Yes	Yes	82945-10	82945-52	6	
						No	Yes	Yes	82945-11	82945-53		
					Rail	N/A	Yes	Yes	Yes	82945-12	82945-54	7
							No	Yes	Yes	82945-34	82945-55	
							No	Yes	Yes	82945-35	82945-56	
							No	Yes	Yes	82945-36	82945-57	
					No Base	N/A	Yes	Yes	Yes	82945-37	82945-58	8
							No	Yes	Yes	82945-38	82945-59	
							Yes	Yes	Yes	82945-39	82945-60	
							No	Yes	Yes	82945-40	82945-61	
Fuel Tank and Instrument Panel Details for Remote Mounting (Rail Base or No Base)											9	
Ordering Information											10	

Note:

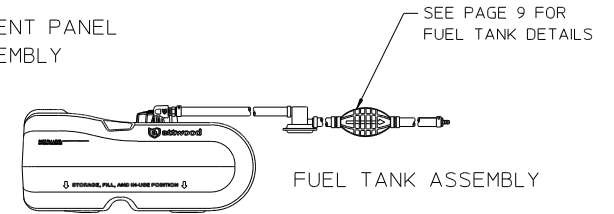
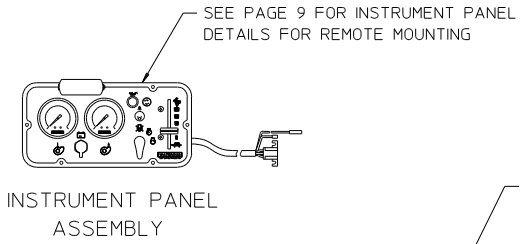
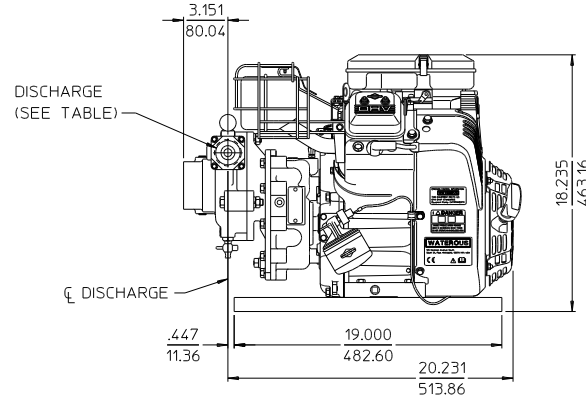
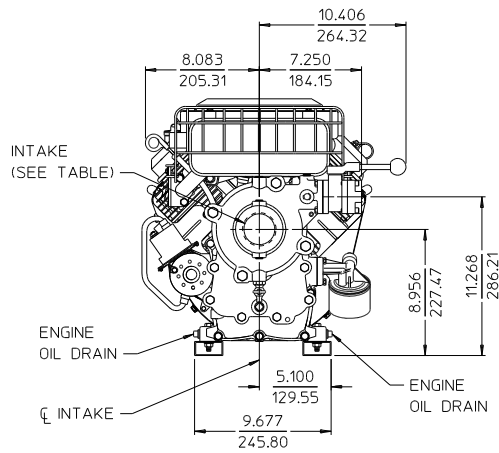
1. Wrap around base is not available for all situations. See ordering information on page 10.



ALL DIMENSIONS SHOWN AS INCH/MILLIMETER
 (INCH / MILLIMETER)

WRAP-AROUND BASE	TAP SIZES		STANDARD INSTRUMENT PANEL		EUROPEAN STYLE INSTRUMENT PANEL	
	INTAKE (F)	DISCHARGE (F)	MAST LIGHT		MAST LIGHT	
			YES	NO	YES	NO
	2 NPT	1-1/2 NPT	82945-1	82945-2	82945-7	82945-8
	2 BSP	1-1/2 BSP	N/A	N/A	82945-42	82945-43

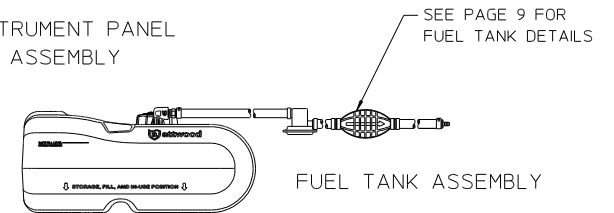
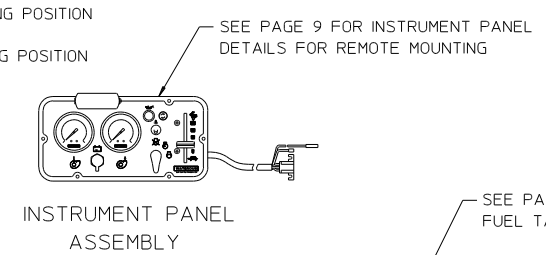
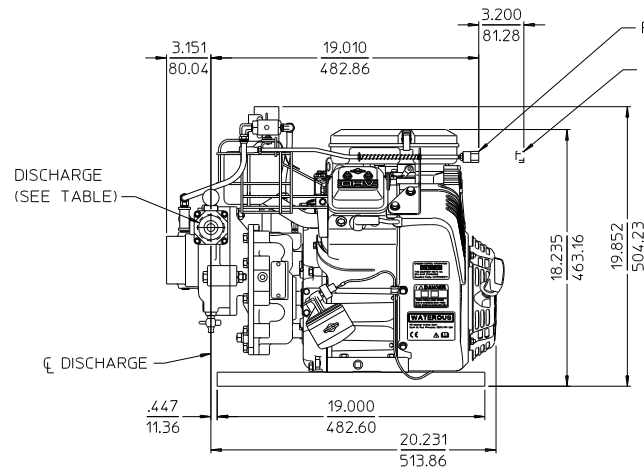
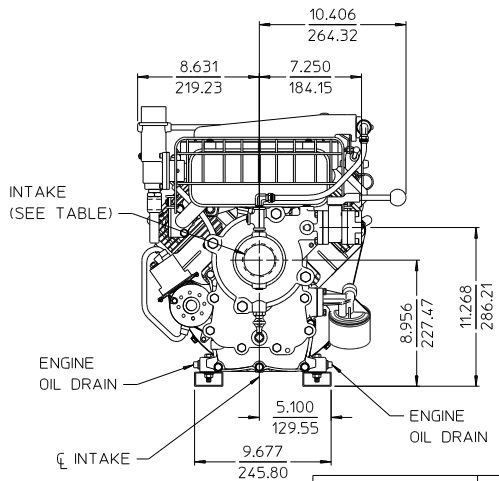
MODEL PB18-G2015B



MODEL PB18-G2015B

RAIL BASE WITHOUT EXHAUST PRIMER	TAP SIZES		STANDARD INSTRUMENT PANEL		EUROPEAN STYLE INSTRUMENT PANEL	
	INTAKE (F)	DISCHARGE (F)	FUEL TANK		FUEL TANK	
			YES	NO	YES	NO
2 NPT	1-1/2 NPT	82945-14	82945-15	82945-21	82945-22	
2 BSP	1-1/2 BSP	N/A	N/A	82945-46	82945-47	

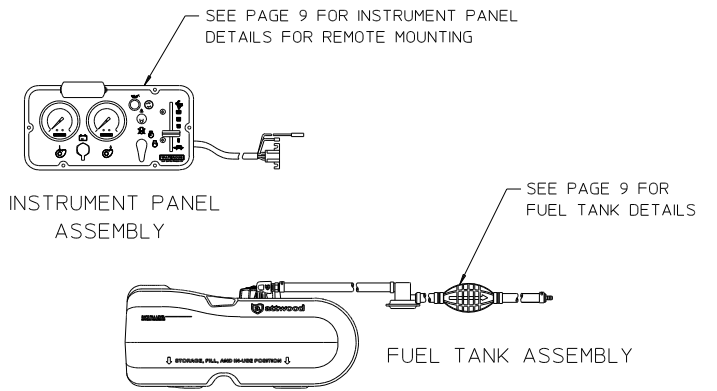
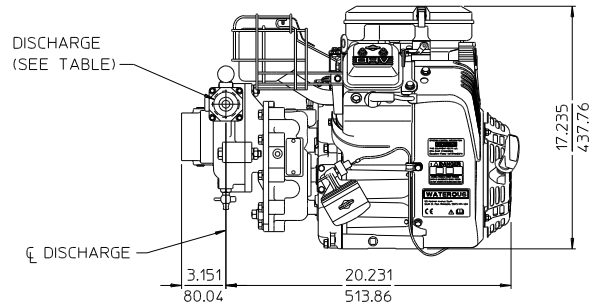
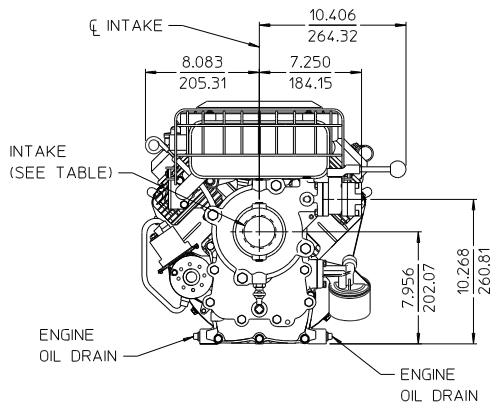
ALL DIMENSIONS SHOWN AS INCH/MILLIMETER
 (INCH)
 (MILLIMETER)



MODEL PB18-G2015B

RAIL BASE WITH EXHAUST PRIMER	TAP SIZES		STANDARD INSTRUMENT PANEL		EUROPEAN STYLE INSTRUMENT PANEL	
	INTAKE (F)	DISCHARGE (F)	FUEL TANK		FUEL TANK	
			YES	NO	YES	NO
2 NPT	1-1/2 NPT	82945-3	82945-13	82945-9	82945-20	
2 BSP	1-1/2 BSP	N/A	N/A	82945-44	82945-45	

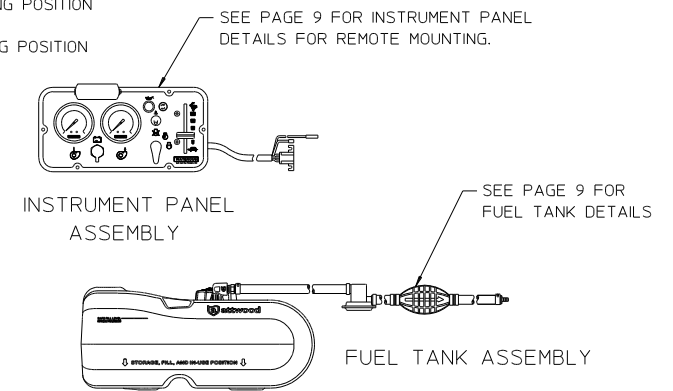
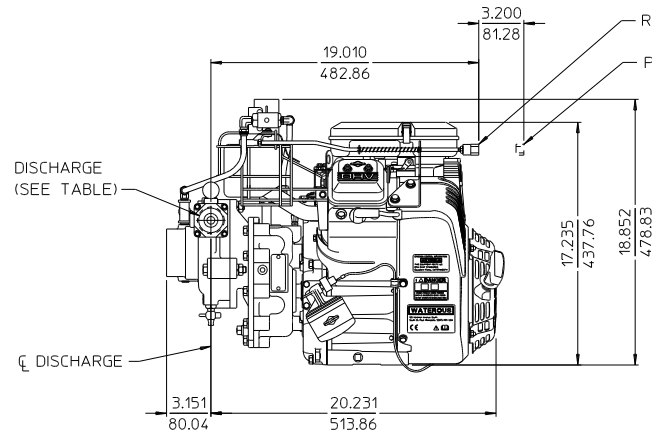
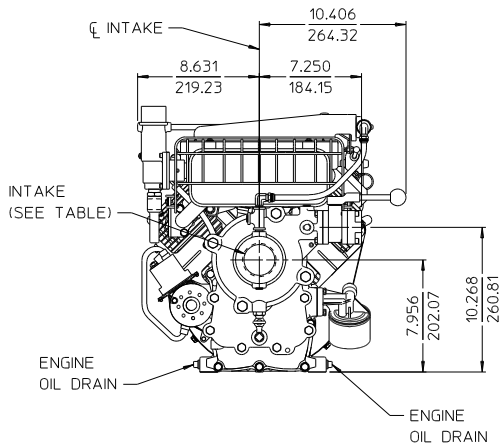
ALL DIMENSIONS SHOWN AS INCH/MILLIMETER
 (INCH)
 (MILLIMETER)



MODEL PB18-G2015B

NO BASE WITHOUT EXHAUST PRIMER	TAP SIZES		STANDARD INSTRUMENT PANEL		EUROPEAN STYLE INSTRUMENT PANEL	
	INTAKE (F)	DISCHARGE (F)	FUEL TANK		FUEL TANK	
			YES	NO	YES	NO
2 NPT	1-1/2 NPT	82945-18	82945-19	82945-25	82945-26	
2 BSP	1-1/2 BSP	N/A	N/A	82945-50	82945-51	

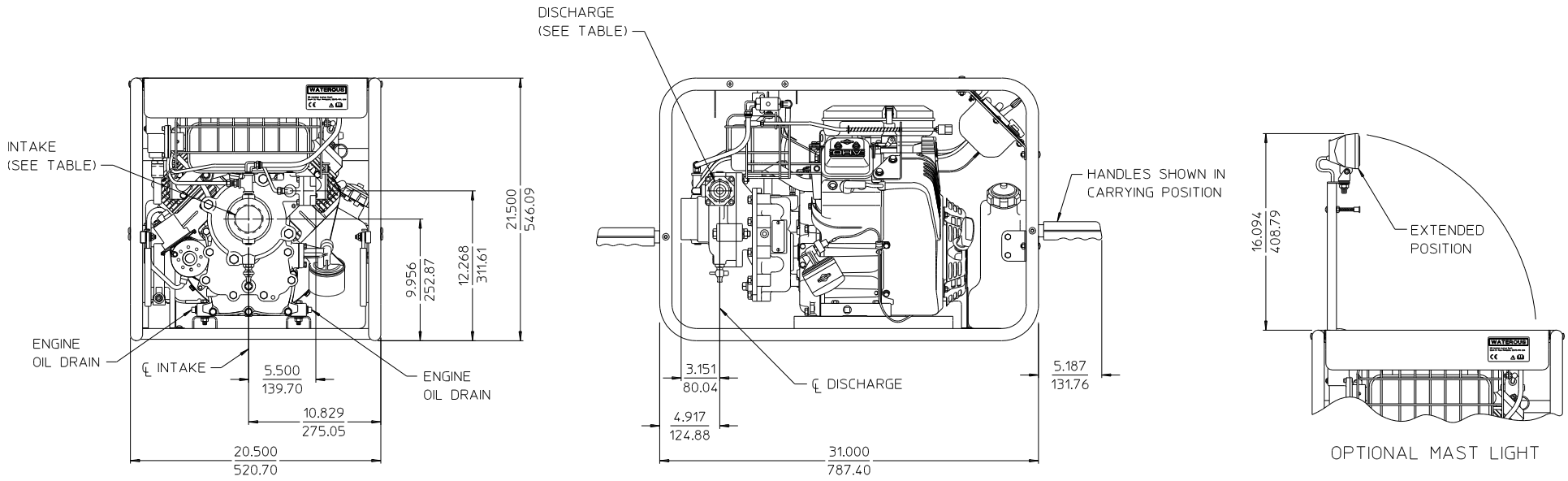
ALL DIMENSIONS SHOWN AS INCH/MILLIMETER
 (INCH / MILLIMETER)



MODEL PB18-G2015B

NO BASE WITH EXHAUST PRIMER	TAP SIZES		STANDARD INSTRUMENT PANEL		EUROPEAN STYLE INSTRUMENT PANEL	
	INTAKE (F)	DISCHARGE (F)	FUEL TANK		FUEL TANK	
			YES	NO	YES	NO
2 NPT	1-1/2 NPT	82945-16	82945-17	82945-23	82945-24	
2 BSP	1-1/2 BSP	N/A	N/A	82945-48	82945-49	

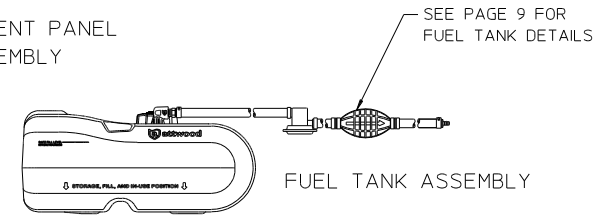
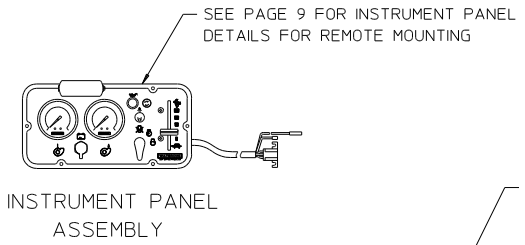
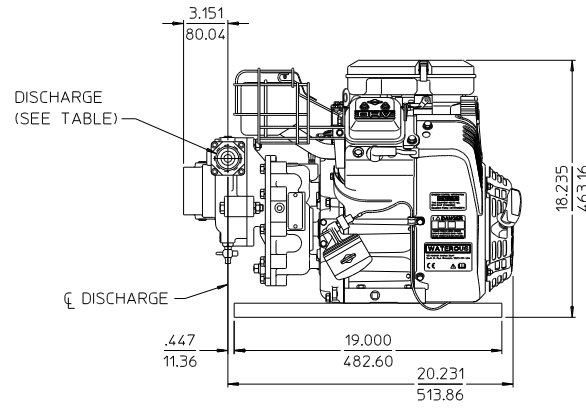
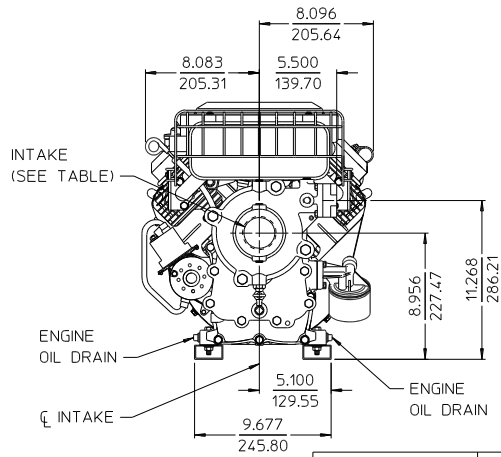
ALL DIMENSIONS SHOWN AS INCH/MILLIMETER
 (INCH / MILLIMETER)



ALL DIMENSIONS SHOWN
AS INCH/MILLIMETER
 $\left(\frac{\text{INCH}}{\text{MILLIMETER}} \right)$

WRAP-AROUND BASE	TAP SIZES		STANDARD INSTRUMENT PANEL		EUROPEAN STYLE INSTRUMENT PANEL	
	INTAKE (F)	DISCHARGE (F)	MAST LIGHT		MAST LIGHT	
			YES	NO	YES	NO
	2 NPT	1-1/2 NPT	82945-4	82945-5	82945-10	82945-11
	2 BSP	1-1/2 BSP	N/A	N/A	82945-52	82945-53

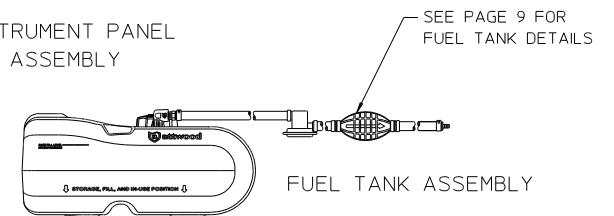
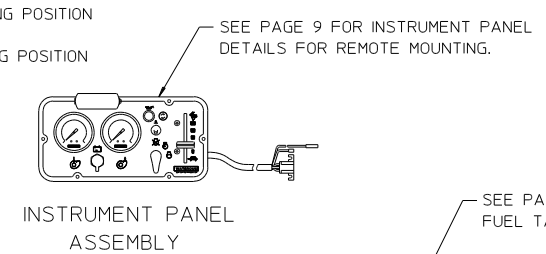
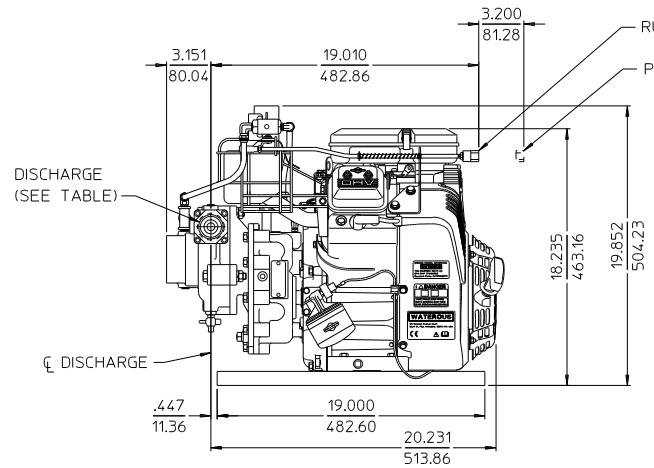
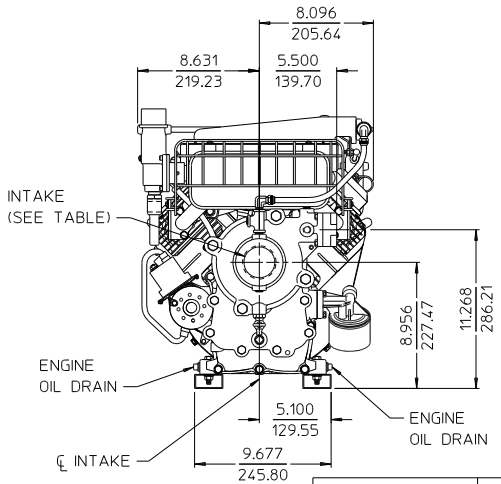
MODEL PB18-G2015F



MODEL PB18-G2015F

RAIL BASE WITHOUT EXHAUST PRIMER	TAP SIZES		STANDARD INSTRUMENT PANEL		EUROPEAN STYLE INSTRUMENT PANEL	
	INTAKE (F)	DISCHARGE (F)	FUEL TANK		FUEL TANK	
			YES	NO	YES	NO
2 NPT	1-1/2 NPT	82945-28	82945-29	82945-35	82945-36	
2 BSP	1-1/2 BSP	N/A	N/A	82945-56	82945-57	

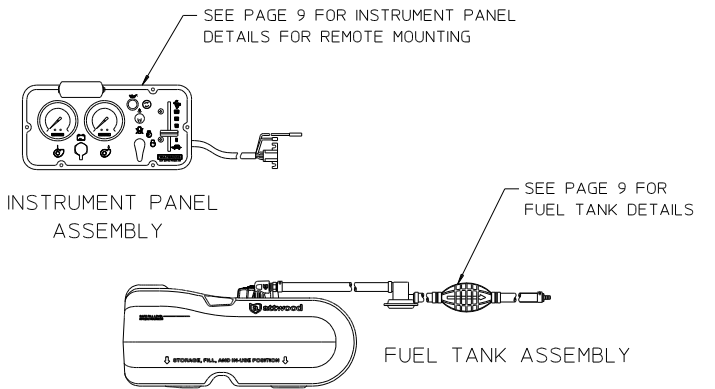
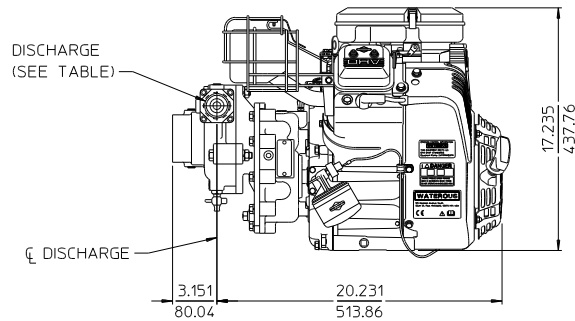
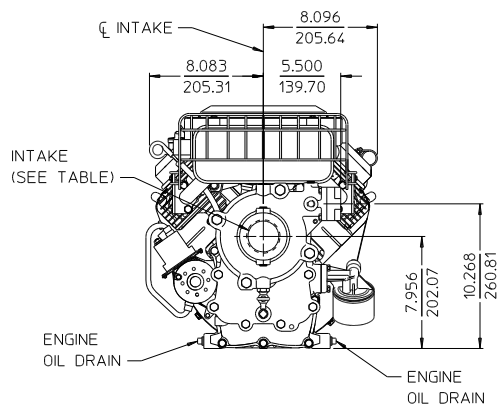
ALL DIMENSIONS SHOWN AS INCH/MILLIMETER
 (INCH)
 (MILLIMETER)



MODEL PB18-G2015F

RAIL BASE WITH EXHAUST PRIMER	TAP SIZES		STANDARD INSTRUMENT PANEL		EUROPEAN STYLE INSTRUMENT PANEL	
	INTAKE (F)	DISCHARGE (F)	FUEL TANK		FUEL TANK	
			YES	NO	YES	NO
2 NPT	1-1/2 NPT	82945-6	82945-27	82945-12	82945-34	
2 BSP	1-1/2 BSP	N/A	N/A	82945-54	82945-55	

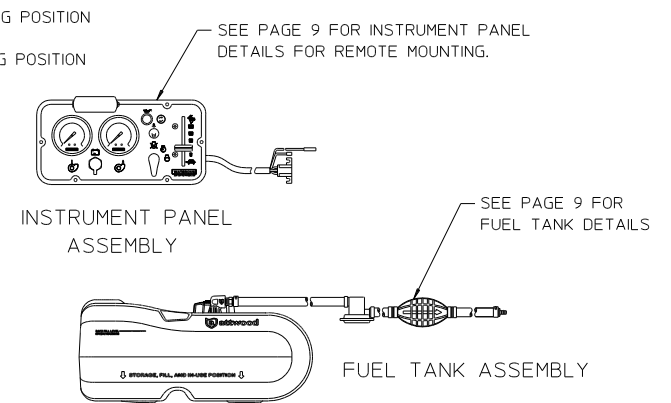
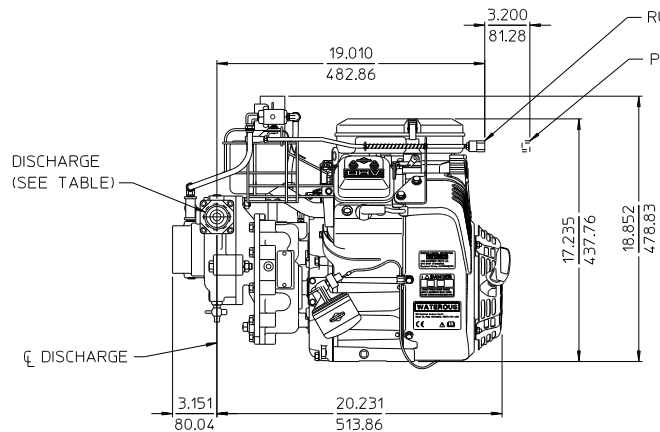
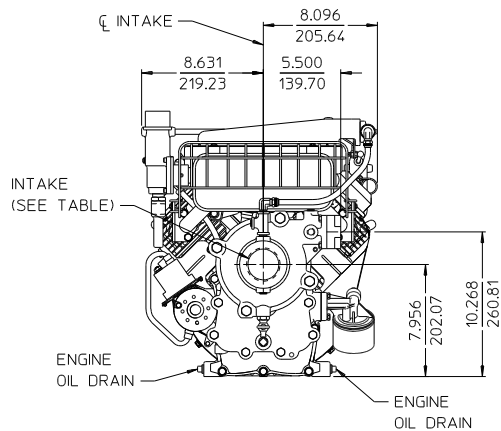
ALL DIMENSIONS SHOWN AS INCH/MILLIMETER
 (INCH)
 (MILLIMETER)



MODEL PB18-G2015F

NO BASE WITHOUT EXHAUST PRIMER	TAP SIZES		STANDARD INSTRUMENT PANEL		EUROPEAN STYLE INSTRUMENT PANEL	
	INTAKE (F)	DISCHARGE (F)	FUEL TANK		FUEL TANK	
			YES	NO	YES	NO
2 NPT	1-1/2 NPT	82945-32	82945-33	82945-39	82945-40	
2 BSP	1-1/2 BSP	N/A	N/A	82945-60	82945-61	

ALL DIMENSIONS SHOWN AS INCH/MILLIMETER
 (INCH / MILLIMETER)



MODEL PB18-G2015F

NO BASE WITH EXHAUST PRIMER	TAP SIZES		STANDARD INSTRUMENT PANEL		EUROPEAN STYLE INSTRUMENT PANEL	
	INTAKE (F)	DISCHARGE (F)	FUEL TANK		FUEL TANK	
			YES	NO	YES	NO
2 NPT	1-1/2 NPT	82945-30	82945-31	82945-37	82945-38	
2 BSP	1-1/2 BSP	N/A	N/A	82945-58	82945-59	

ALL DIMENSIONS SHOWN AS INCH/MILLIMETER
 (INCH / MILLIMETER)

ORDERING INFORMATION:
When ordering furnish the following information.

1. Pump Model

PB18-G2015B
PB18-G2015F

2. Assembly Number

Assy No's
82945-1 thru 82945-40

3. Type of Base

Available for Use in U.S.A. or Canada	Available for Use Outside U.S.A. or Canada
Rail	Rail
No Base	No Base
-	Wrap-Around

4. Mast Light

Wrap-Around Base	Rail or No Base
With or Without	Not Available

5. Instrument Panel Style

Standard	European
Intake Gauge More Common to North American Market	Intake Gauge More Common for European Market

6. Exhaust Primer

Wrap-Around Base	Rail or No Base
With	With or Without

7. Fuel Tank

Rail or No Base (Tank Required if Pump is Used in the U.S.A. or Canada)	Wrap-Around Base
With separate 3 gallon (11 liter) tank with fuel guage	With integral 3 gallon (11 liter) tank with fuel gauge

8. Any optional thread adapters or caps.