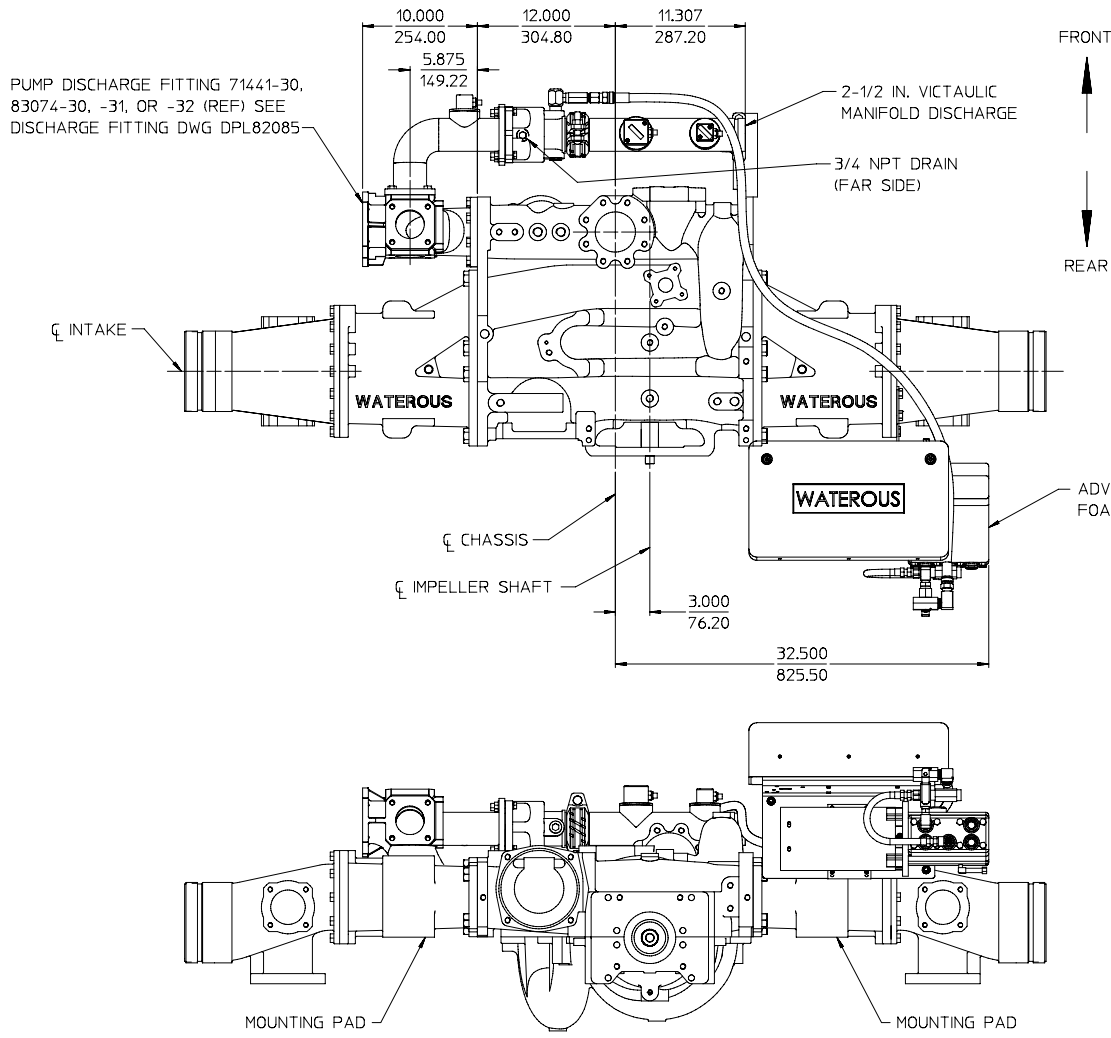




Document Number	Issue Date	Rev. Date
DPL 82978	11/13/07	12/08/11

Dimensional Drawings for Foam Manager System with Advantus® 3

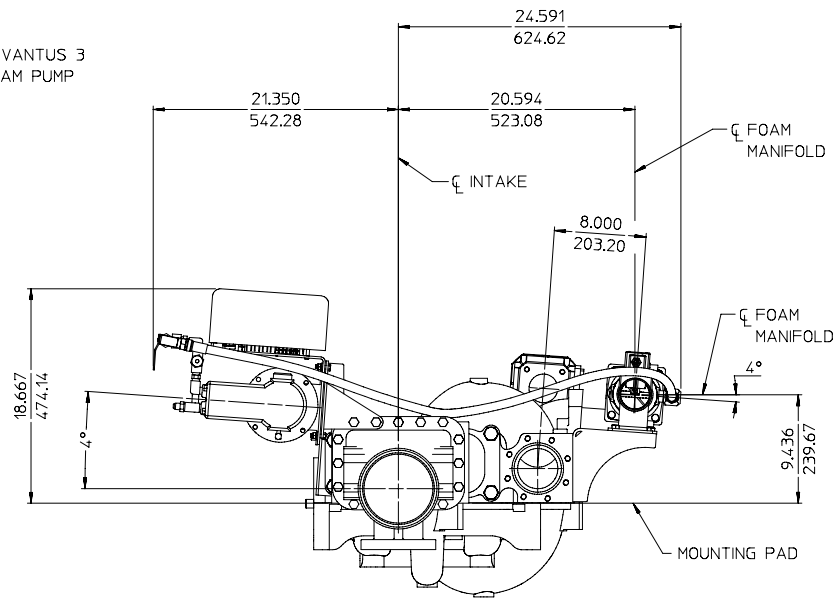
Configuration	Size	Manifold		Pump Discharge Fitting	See Page	Available on Pump Models
		Discharge Position	Mounting on Pump			
Complete System Mounted on Pump	2-1/2 in. Standard	Right Hand (Right Side of Pump)	On the Front	71441-30, 83074-30, 83074-31, 83074-32	2	CM, CMU, CS, CSU
				71600-8A	3	
				81388-7A	4	
			Over the Top	71441-30, 83074-30, 83074-31, 83074-32	5	
				71600-8A	6	
				81388-7A	7	
		Left Hand (Left Side of Pump)	On the Front	71441-30, 83074-30, 83074-31, 83074-32	8	
				71600-8A	9	
				81388-7A	10	
			Over the Top	71441-30, 83074-30, 83074-31, 83074-32	11	
				71600-8A	12	
				81388-7A	13	
		3 in. Optional	Right Hand (Right Side of Pump)	On the Front	82325-1	
	Left Hand (Left Side of Pump)		On the Front	82325-1	15	
	Items Shipped Loose					
Manifold Only Mounted on Pump. Foam Pump Separately Mounted	2-1/2 in. Standard	Right Hand (Right Side of Pump)	On the Front	71441-30, 83074-30, 83074-31, 83074-32	17	
				71600-8A	18	
				81388-7A	19	
			Over the Top	71441-30, 83074-30, 83074-31, 83074-32	20	
				71600-8A	21	
				81388-7A	22	
		On the Rear	83167-1A, -1B, -1C	23		
		On the Front	83167-1A, -1B, -1C	24		
		Left Hand (Left Side of Pump)	On the Front	71441-30, 83074-30, 83074-31, 83074-32	25	
				71600-8A	26	
				81388-7A	27	
			Over the Top	71441-30, 83074-30, 83074-31, 83074-32	28	
				71600-8A	29	
	81388-7A			30		
	3 in. Optional	Right Hand (Right Side of Pump)	On the Front	82325-1	31	
Left Hand (Left Side of Pump)		On the Front	82325-1	32		
Right Hand (Right Side of Pump)		On the Front	83167-1A, -1B, -1C	33		
Items Shipped Loose					34	
Optional Accessories					35	
Tank Level Switch Wiring					36	



- THE FOLLOWING ITEMS SHIPPED LOOSE:
1. INSTRUCTION PLATE. (SEE DETAIL A ON PAGE 16).
 2. OIT CONTROL MODULE (SEE DETAIL B ON PAGE 16).
 3. INLET LINE STRAINER WITH NIPPLE (SEE DETAIL C ON PAGE 16).
 4. MOLDED CABLE KIT.
 5. OPTIONAL ACCESSORIES (SEE PAGE 35).

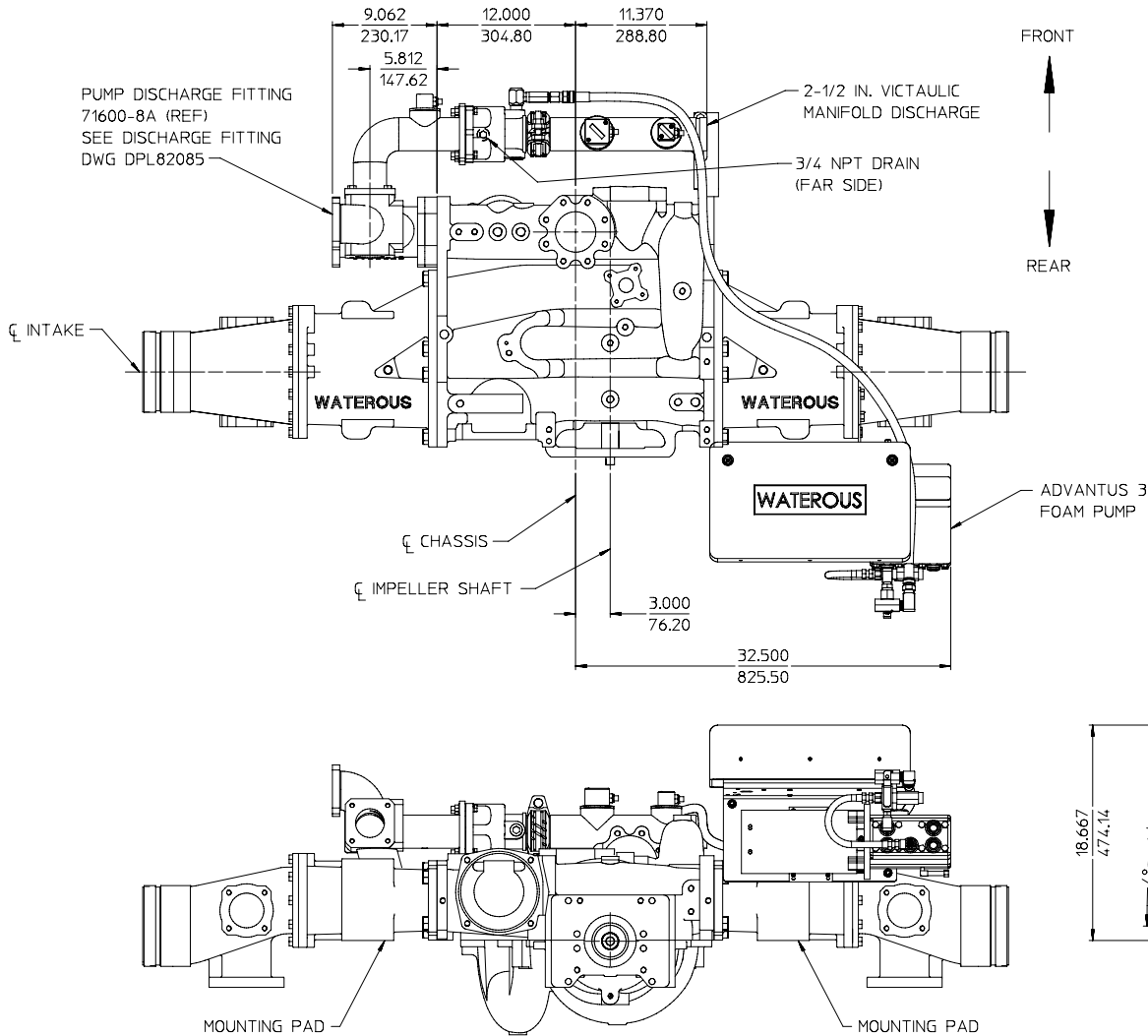
NOTE:
REAR INTAKE ADAPTER NOT AVAILABLE ON RIGHT SIDE.

ALL DIMENSIONS SHOWN
AS INCH/MILLIMETER
(INCH / MILLIMETER)



PUMP MOUNTED ADVANTUS 3 FOAM PUMP
2-1/2 IN. MANIFOLD, RIGHT HAND DISCHARGE ON THE FRONT OF PUMP
WITH 71441-30, 83074-30, 83074-31, OR 83074-32 PUMP DISCHARGE FITTING

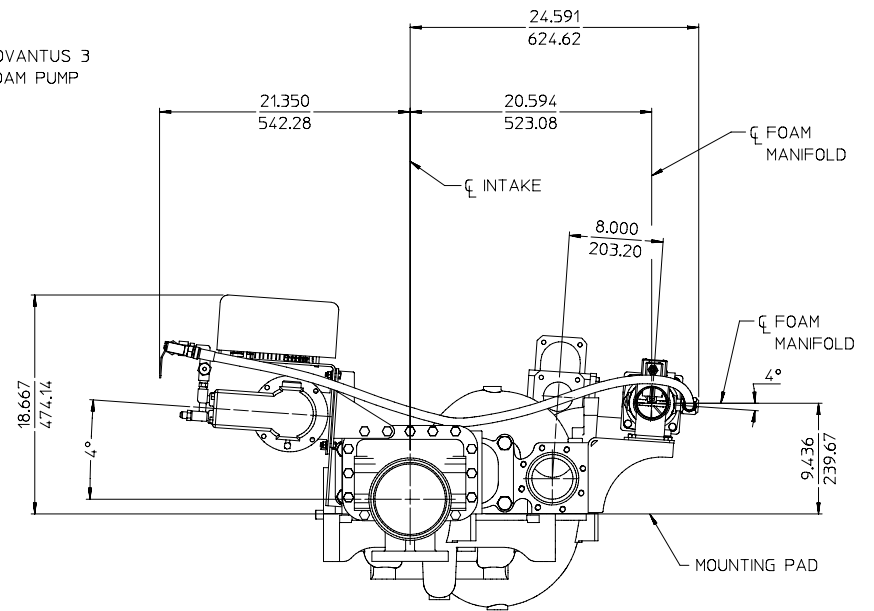
AVAILABLE ON IRON PUMPS WITH 4° ANGLE COMPENSATED BODIES ONLY



- THE FOLLOWING ITEMS SHIPPED LOOSE:
1. INSTRUCTION PLATE. (SEE DETAIL A ON PAGE 16).
 2. OIT CONTROL MODULE (SEE DETAIL B ON PAGE 16).
 3. INLET LINE STRAINER WITH NIPPLE (SEE DETAIL C ON PAGE 16).
 4. MOLDED CABLE KIT.
 5. OPTIONAL ACCESSORIES (SEE PAGE 35).

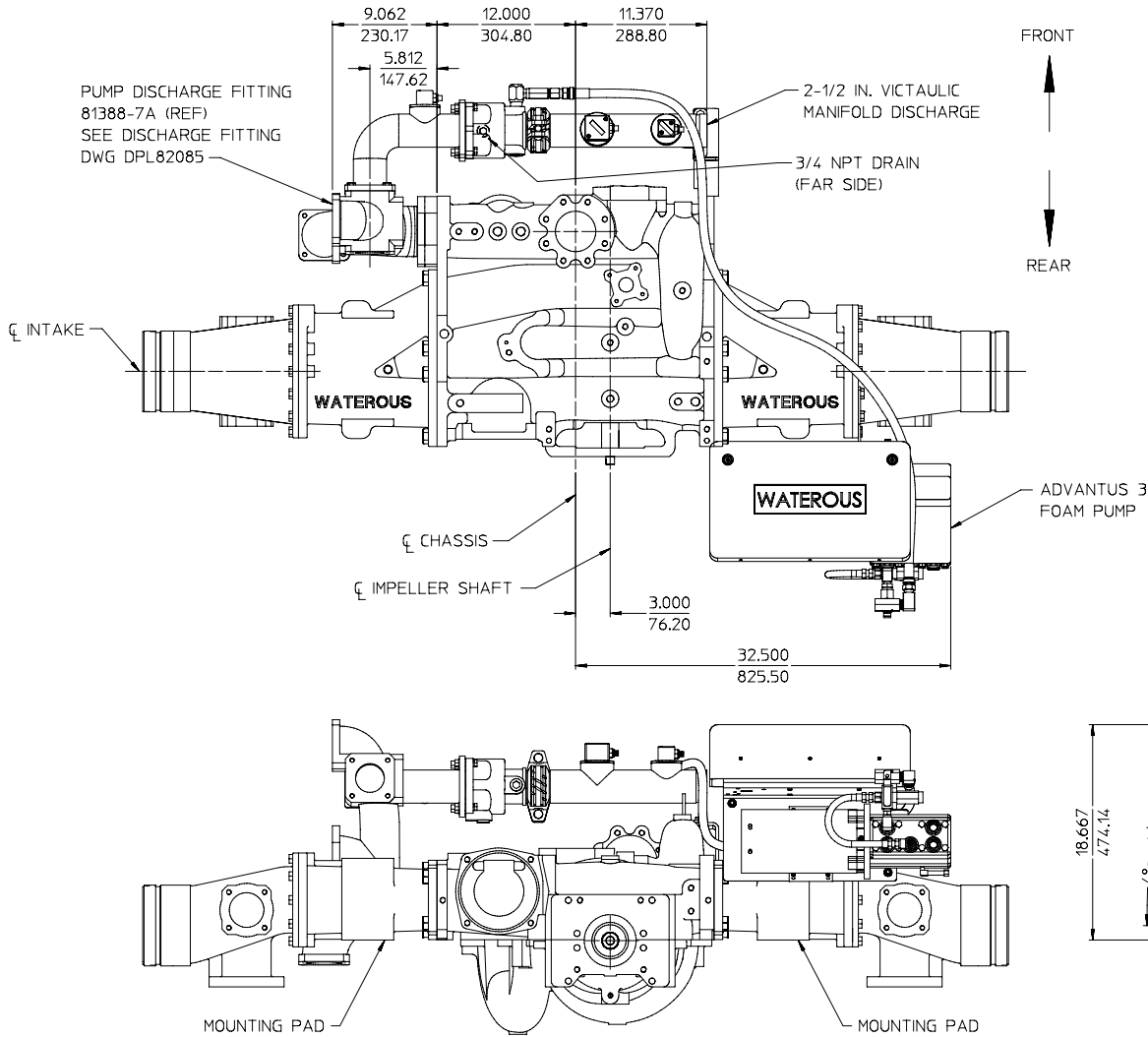
NOTE:
REAR INTAKE ADAPTER NOT AVAILABLE ON RIGHT SIDE.

ALL DIMENSIONS SHOWN
AS INCH/MILLIMETER
(INCH / MILLIMETER)



PUMP MOUNTED ADVANTUS 3 FOAM PUMP
2-1/2 IN. MANIFOLD, RIGHT HAND DISCHARGE ON THE FRONT OF PUMP
WITH 71600-8A PUMP DISCHARGE FITTING

AVAILABLE ON IRON PUMPS WITH 4° ANGLE COMPENSATED BODIES ONLY



THE FOLLOWING ITEMS SHIPPED LOOSE:

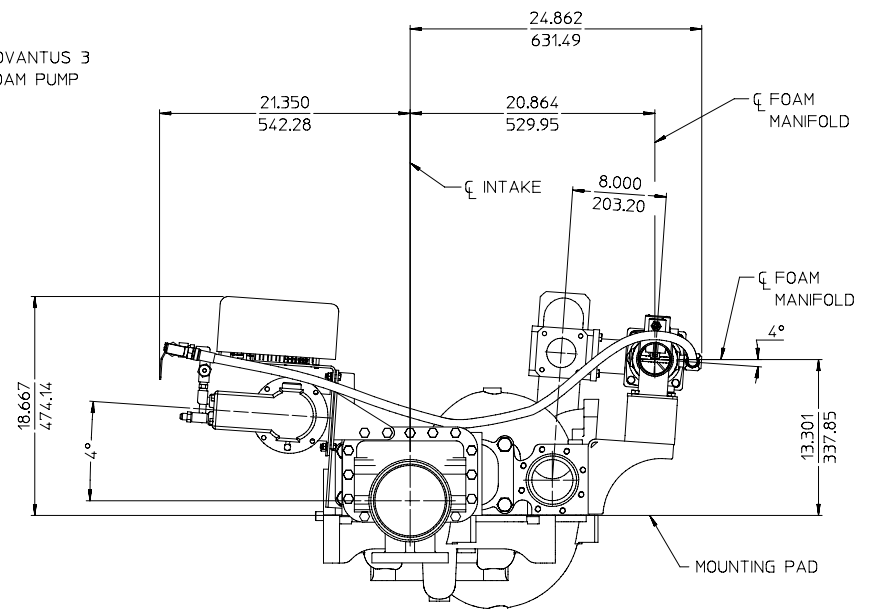
1. INSTRUCTION PLATE. (SEE DETAIL A ON PAGE 16).
2. OIT CONTROL MODULE (SEE DETAIL B ON PAGE 16).
3. INLET LINE STRAINER WITH NIPPLE (SEE DETAIL C ON PAGE 16).
4. MOLDED CABLE KIT.
5. OPTIONAL ACCESSORIES (SEE PAGE 35).

NOTE:

REAR INTAKE ADAPTER NOT AVAILABLE ON RIGHT SIDE.

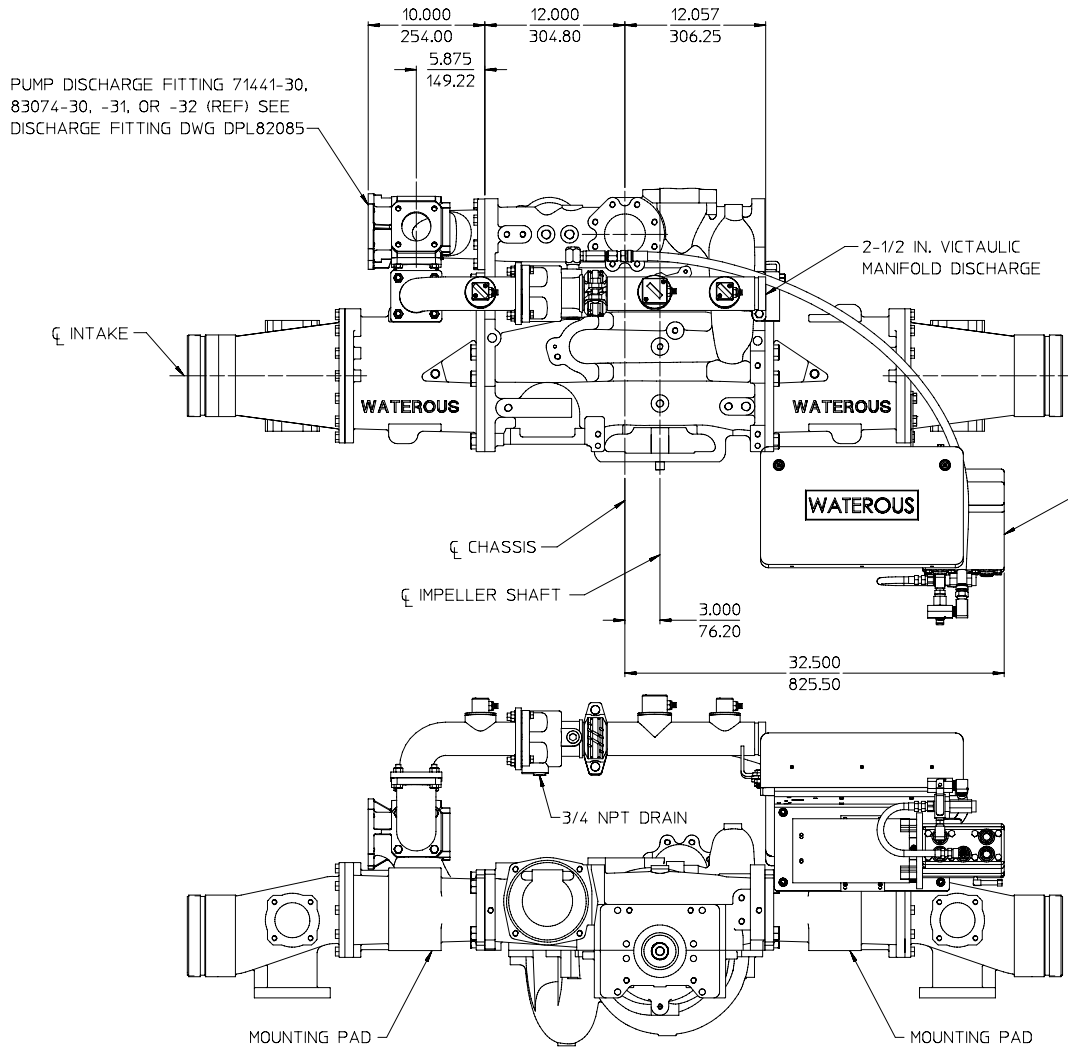
ALL DIMENSIONS SHOWN
 AS INCH/MILLIMETER

INCH
 MILLIMETER



PUMP MOUNTED ADVANTUS 3 FOAM PUMP
2-1/2 IN. MANIFOLD, RIGHT HAND DISCHARGE ON THE FRONT OF PUMP
WITH 81388-7A PUMP DISCHARGE FITTING

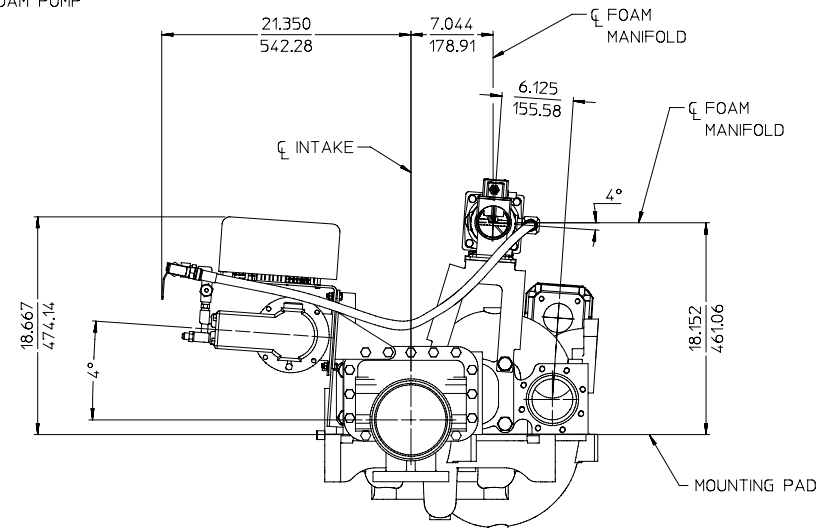
AVAILABLE ON IRON PUMPS WITH 4° ANGLE COMPENSATED BODIES ONLY



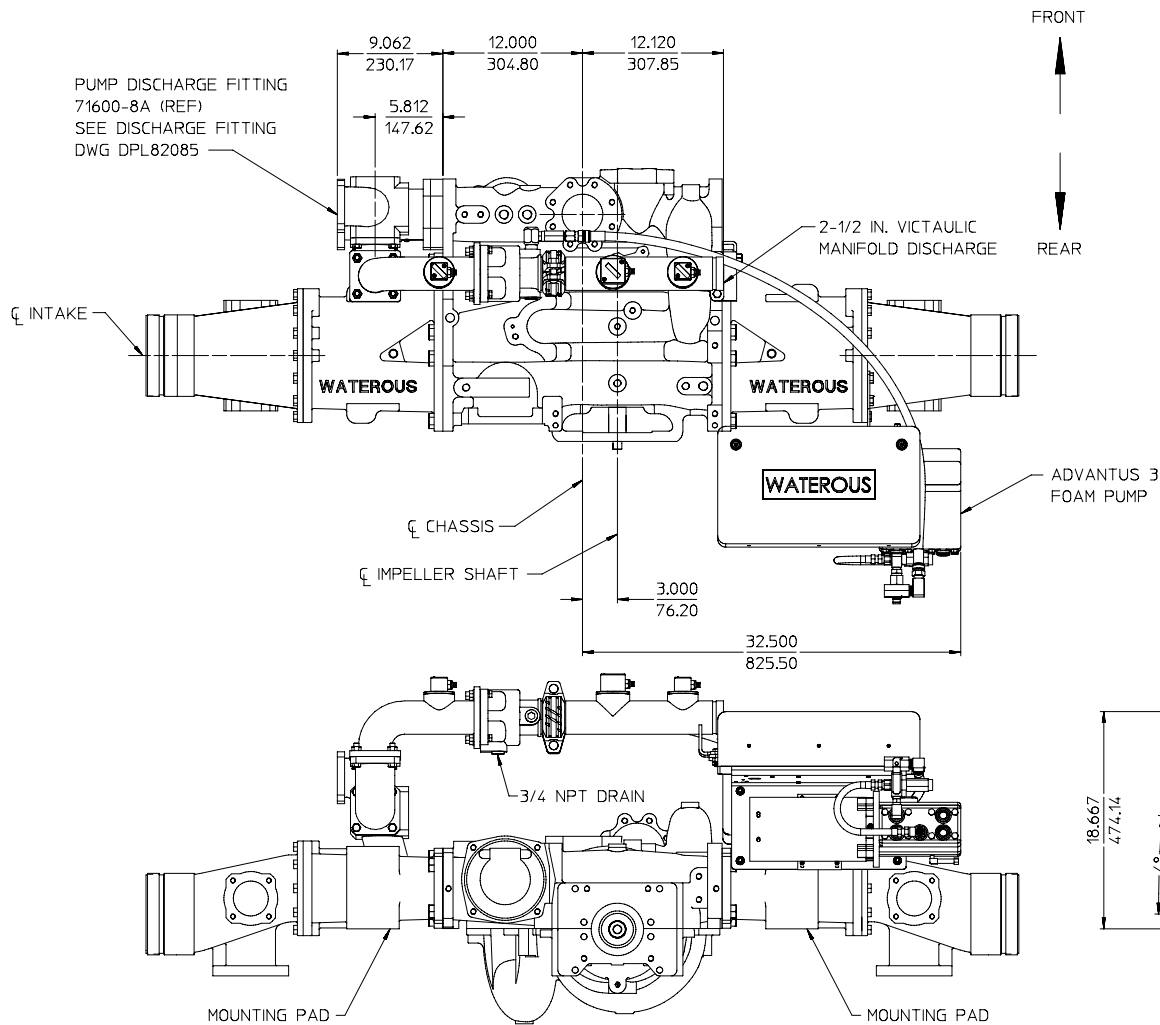
- THE FOLLOWING ITEMS SHIPPED LOOSE:
1. INSTRUCTION PLATE. (SEE DETAIL A ON PAGE 16).
 2. OIT CONTROL MODULE (SEE DETAIL B ON PAGE 16).
 3. INLET LINE STRAINER WITH NIPPLE (SEE DETAIL C ON PAGE 16).
 4. MOLDED CABLE KIT.
 5. OPTIONAL ACCESSORIES (SEE PAGE 35).

NOTE:
REAR INTAKE ADAPTER NOT AVAILABLE ON RIGHT SIDE.

ALL DIMENSIONS SHOWN
AS INCH/MILLIMETER
(INCH / MILLIMETER)



PUMP MOUNTED ADVANTUS 3 FOAM PUMP
2-1/2 IN. MANIFOLD, RIGHT HAND DISCHARGE OVER THE TOP OF PUMP
WITH 71441-30, 83074-30, 83074-31, OR 83074-32 PUMP DISCHARGE FITTING
 AVAILABLE ON IRON PUMPS WITH 4° ANGLE COMPENSATED BODIES ONLY

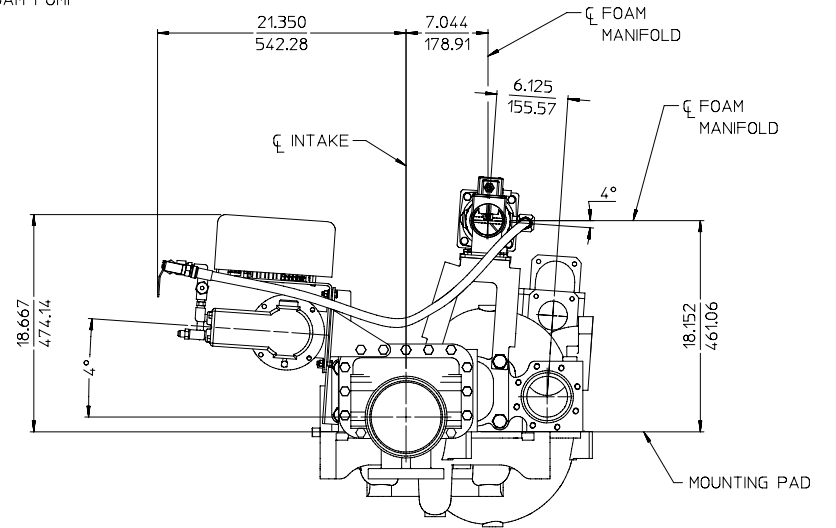


FRONT
 ↑
 ↓
 REAR

- THE FOLLOWING ITEMS SHIPPED LOOSE:
1. INSTRUCTION PLATE. (SEE DETAIL A ON PAGE 16).
 2. OIT CONTROL MODULE (SEE DETAIL B ON PAGE 16).
 3. INLET LINE STRAINER WITH NIPPLE (SEE DETAIL C ON PAGE 16).
 4. MOLDED CABLE KIT.
 5. OPTIONAL ACCESSORIES (SEE PAGE 35).

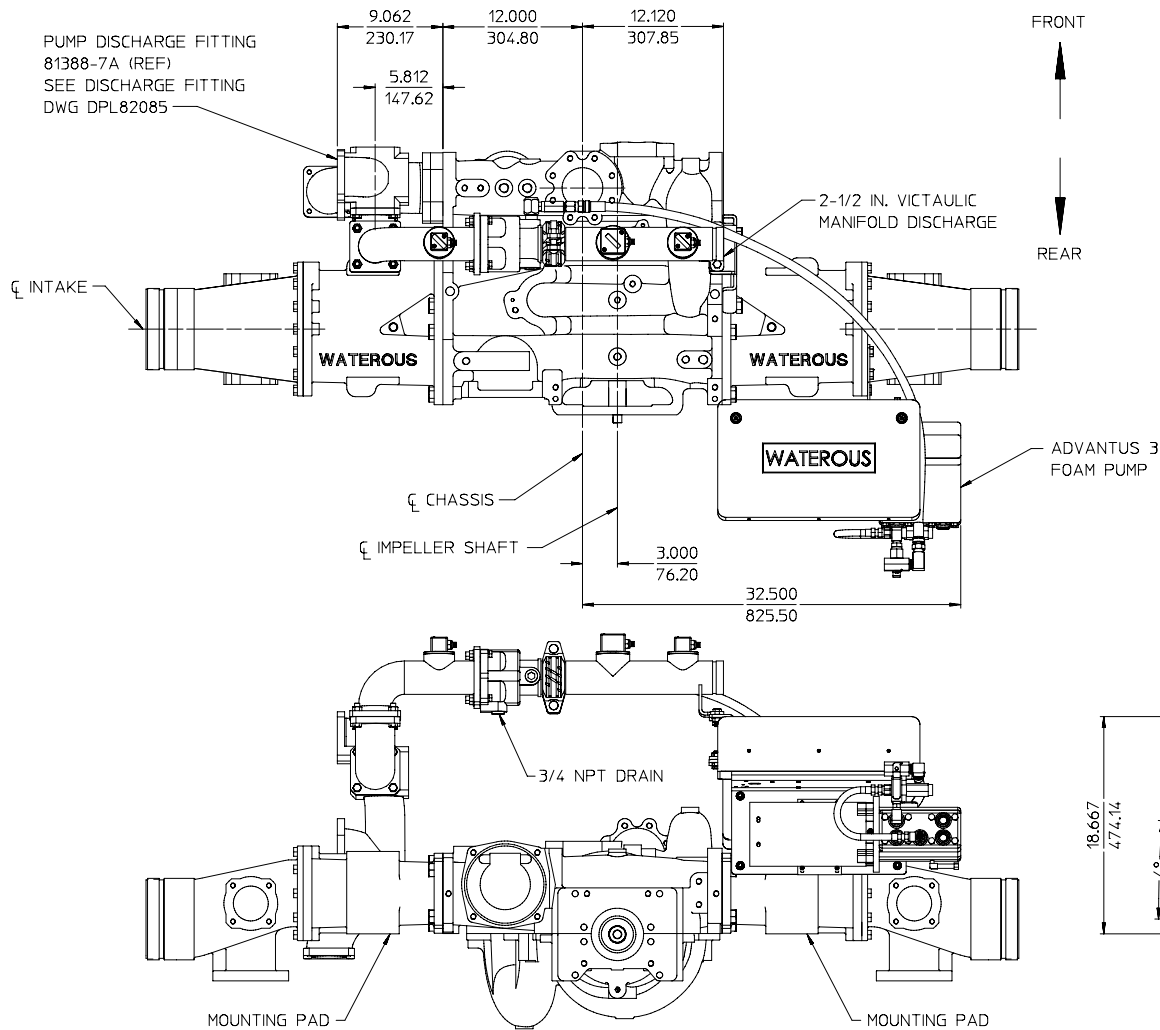
NOTE:
 REAR INTAKE ADAPTER NOT AVAILABLE ON RIGHT SIDE.

ALL DIMENSIONS SHOWN
 AS INCH/MILLIMETER
 INCH
 (MILLIMETER)



PUMP MOUNTED ADVANTUS 3 FOAM PUMP
2-1/2 IN. MANIFOLD, RIGHT HAND DISCHARGE OVER THE TOP OF PUMP
WITH 71600-8A PUMP DISCHARGE FITTING

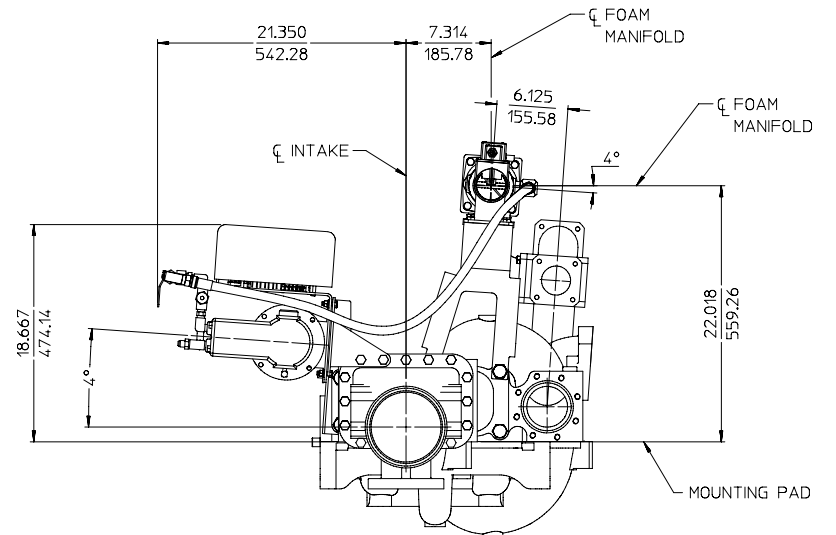
AVAILABLE ON IRON PUMPS WITH 4° ANGLE COMPENSATED BODIES ONLY



- THE FOLLOWING ITEMS SHIPPED LOOSE:
1. INSTRUCTION PLATE. (SEE DETAIL A ON PAGE 16).
 2. OIT CONTROL MODULE (SEE DETAIL B ON PAGE 16).
 3. INLET LINE STRAINER WITH NIPPLE (SEE DETAIL C ON PAGE 16).
 4. MOLDED CABLE KIT.
 5. OPTIONAL ACCESSORIES (SEE PAGE 35).

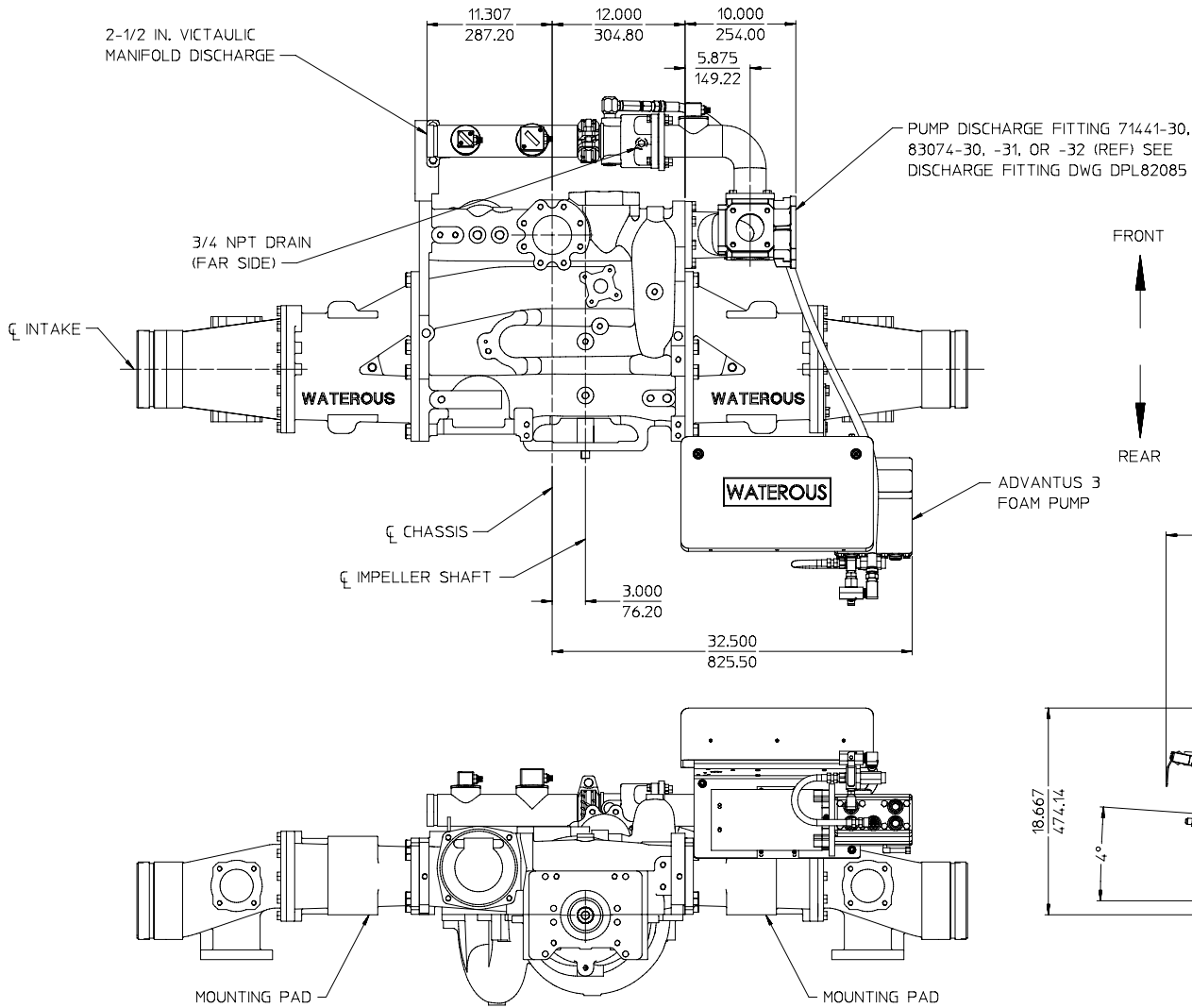
NOTE:
 REAR INTAKE ADAPTER NOT AVAILABLE ON RIGHT SIDE.

ALL DIMENSIONS SHOWN
 AS INCH/MILLIMETER
 INCH
 (MILLIMETER)



PUMP MOUNTED ADVANTUS 3 FOAM PUMP
2-1/2 IN. MANIFOLD, RIGHT HAND DISCHARGE OVER THE TOP OF PUMP
WITH 81388-7A PUMP DISCHARGE FITTING

AVAILABLE ON IRON PUMPS WITH 4° ANGLE COMPENSATED BODIES ONLY

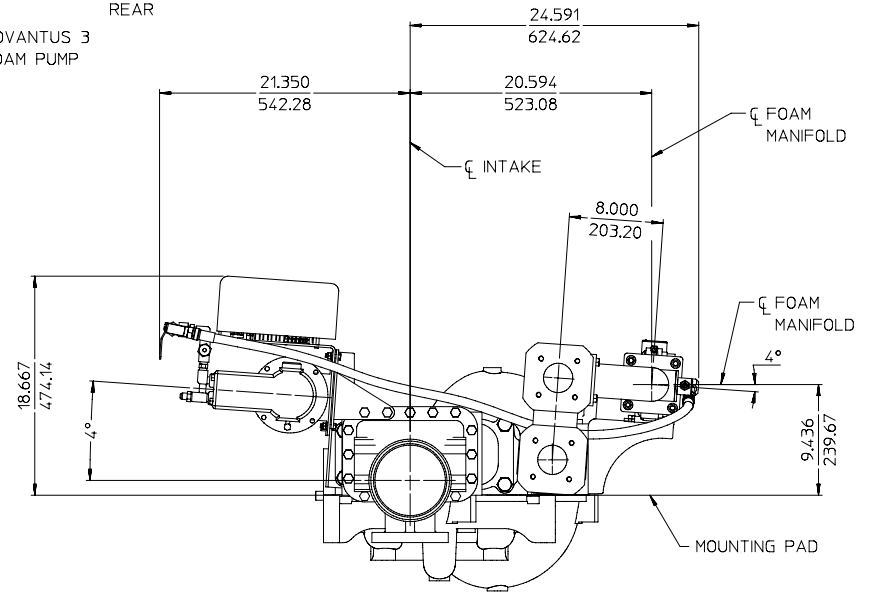


FRONT
 REAR

- THE FOLLOWING ITEMS SHIPPED LOOSE:
1. INSTRUCTION PLATE. (SEE DETAIL A ON PAGE 16).
 2. OIT CONTROL MODULE (SEE DETAIL B ON PAGE 16).
 3. INLET LINE STRAINER WITH NIPPLE (SEE DETAIL C ON PAGE 16).
 4. MOLDED CABLE KIT.
 5. OPTIONAL ACCESSORIES (SEE PAGE 35).

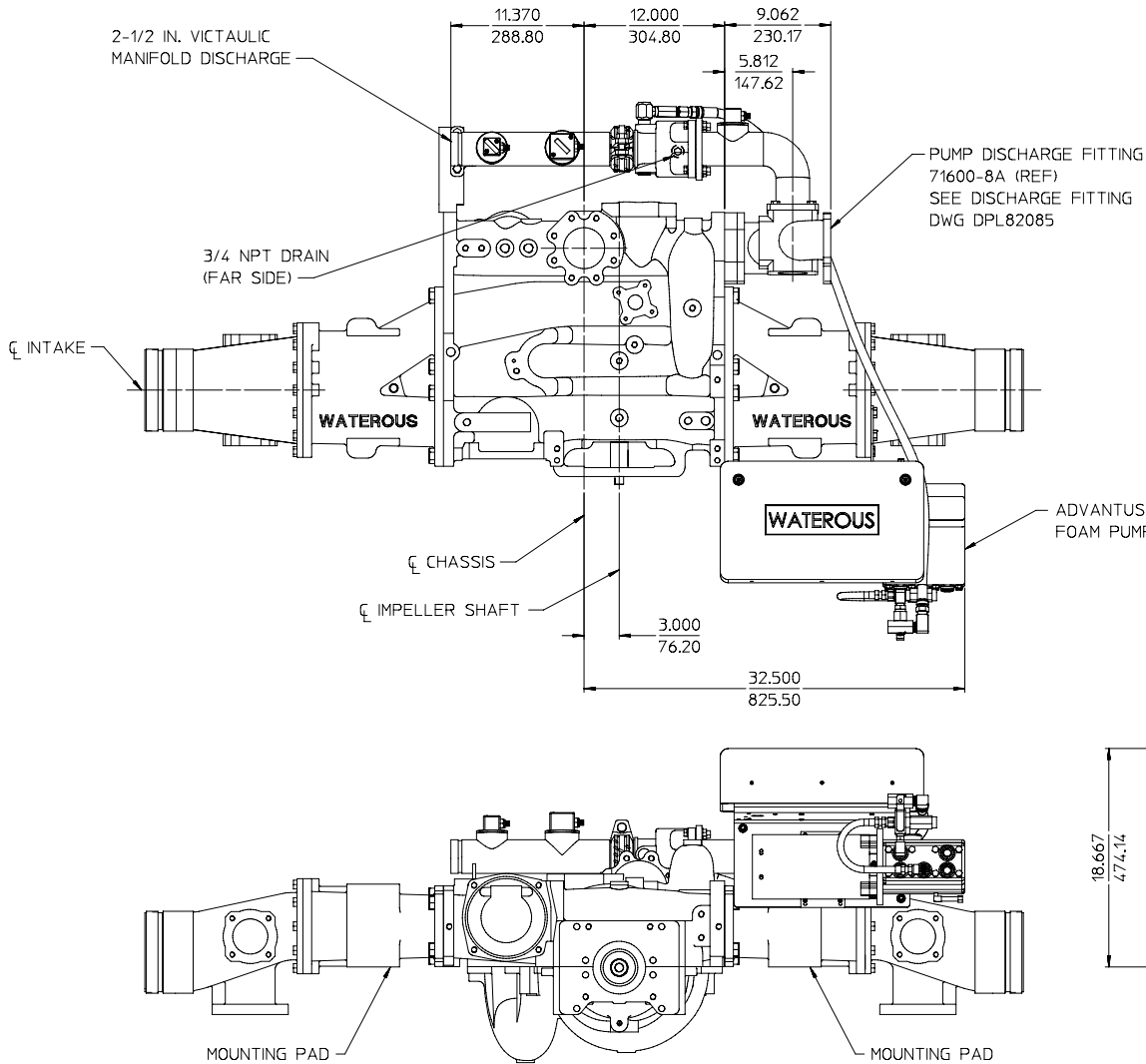
NOTE:
 REAR INTAKE ADAPTER NOT AVAILABLE ON RIGHT SIDE.

ALL DIMENSIONS SHOWN
 AS INCH/MILLIMETER
 (INCH / MILLIMETER)



PUMP MOUNTED ADVANTUS 3 FOAM PUMP
2-1/2 IN. MANIFOLD, LEFT HAND DISCHARGE ON THE FRONT OF PUMP
WITH 71441-30, 83074-30, 83074-31, OR 83074-32 PUMP DISCHARGE FITTING

AVAILABLE ON IRON PUMPS WITH 4° ANGLE COMPENSATED BODIES ONLY

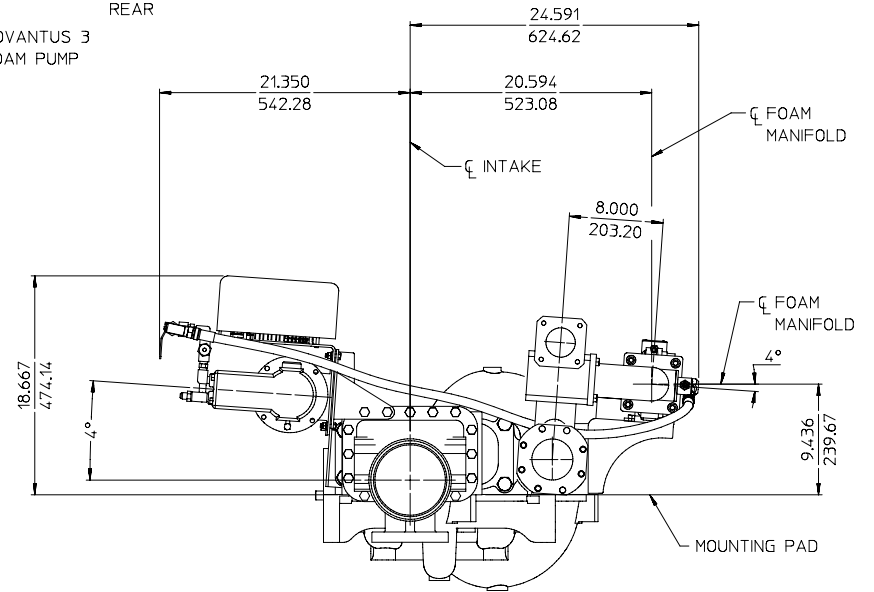


- THE FOLLOWING ITEMS SHIPPED LOOSE:
1. INSTRUCTION PLATE. (SEE DETAIL A ON PAGE 16).
 2. OIT CONTROL MODULE (SEE DETAIL B ON PAGE 16).
 3. INLET LINE STRAINER WITH NIPPLE (SEE DETAIL C ON PAGE 16).
 4. MOLDED CABLE KIT.
 5. OPTIONAL ACCESSORIES (SEE PAGE 35).

NOTE:
REAR INTAKE ADAPTER NOT AVAILABLE ON RIGHT SIDE.

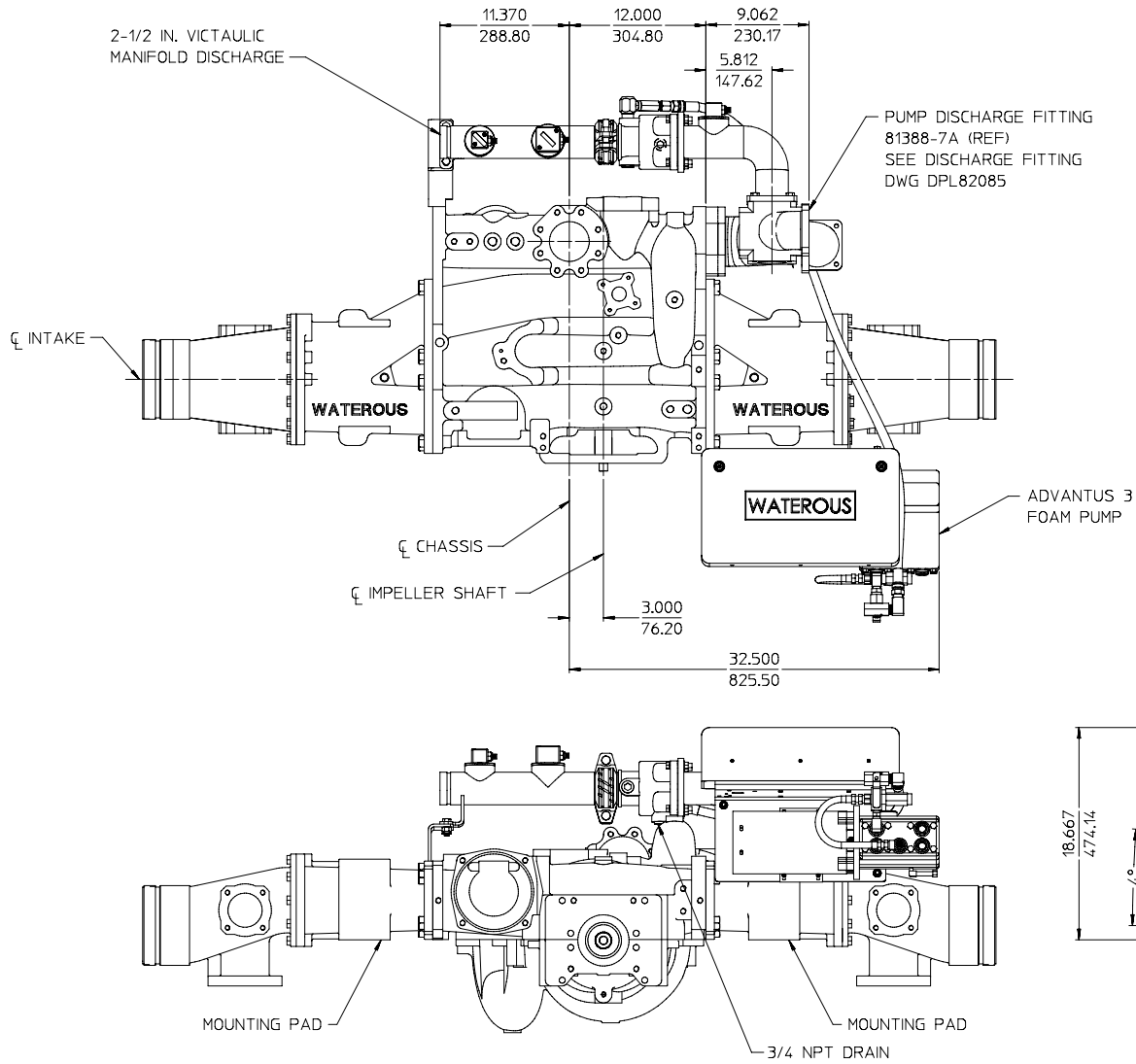
FRONT
↑
↓
REAR

ALL DIMENSIONS SHOWN
AS INCH/MILLIMETER
(INCH / MILLIMETER)



PUMP MOUNTED ADVANTUS 3 FOAM PUMP
2-1/2 IN. MANIFOLD, LEFT HAND DISCHARGE ON THE FRONT OF PUMP
WITH 71600-8A PUMP DISCHARGE FITTING

AVAILABLE ON IRON PUMPS WITH 4° ANGLE COMPENSATED BODIES ONLY



THE FOLLOWING ITEMS SHIPPED LOOSE:

1. INSTRUCTION PLATE. (SEE DETAIL A ON PAGE 16).
2. OIT CONTROL MODULE (SEE DETAIL B ON PAGE 16).
3. INLET LINE STRAINER WITH NIPPLE (SEE DETAIL C ON PAGE 16).
4. MOLDED CABLE KIT.
5. OPTIONAL ACCESSORIES (SEE PAGE 35).

NOTE:

REAR INTAKE ADAPTER NOT AVAILABLE ON RIGHT SIDE.

FRONT

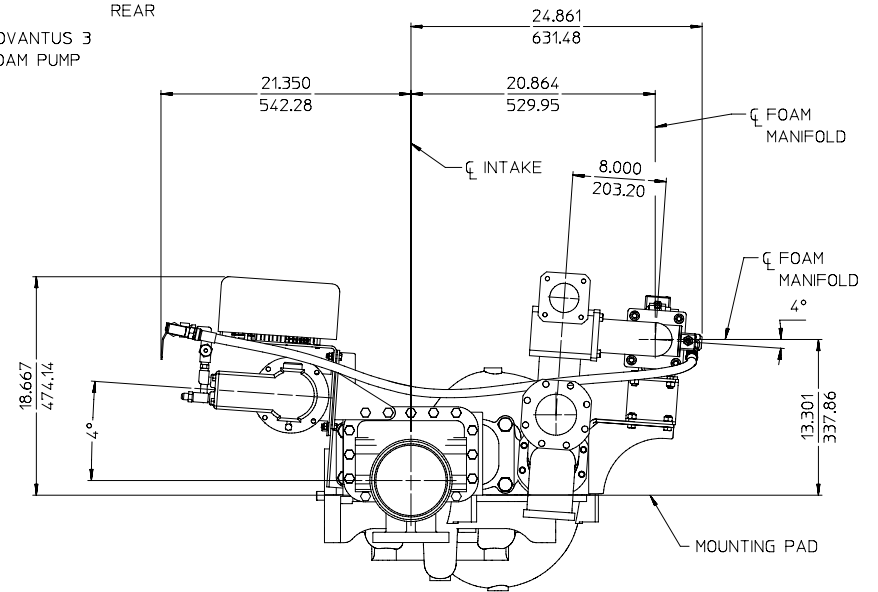


REAR



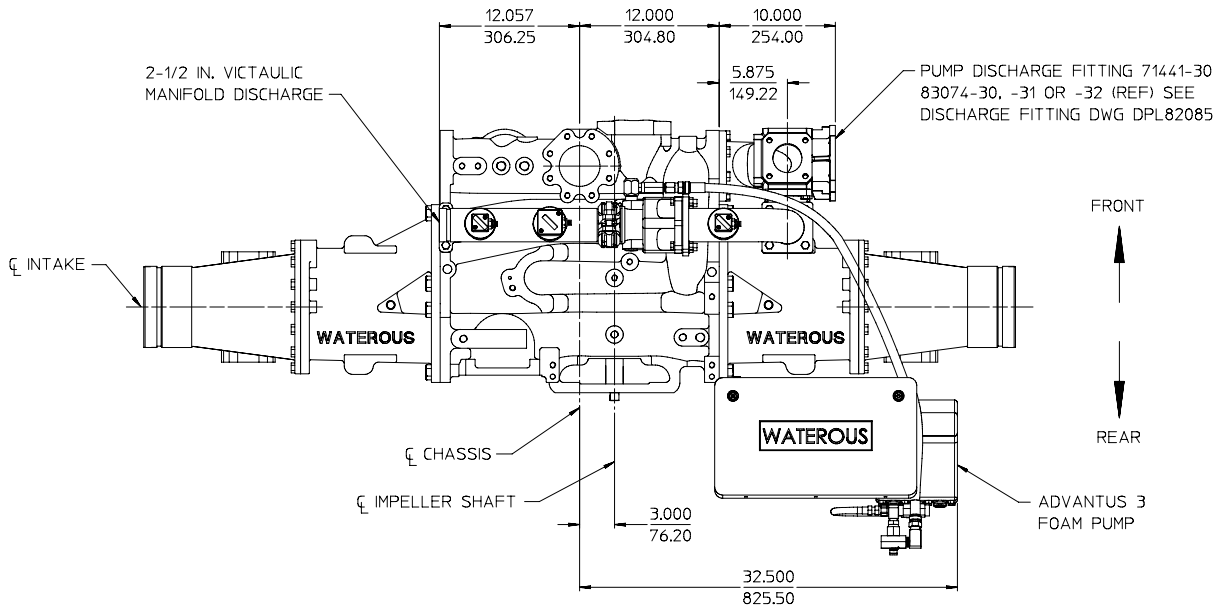
ALL DIMENSIONS SHOWN
AS INCH/MILLIMETER

(
INCH
MILLIMETER
)



PUMP MOUNTED ADVANTUS 3 FOAM PUMP
2-1/2 IN. MANIFOLD, LEFT HAND DISCHARGE ON THE FRONT OF PUMP
WITH 81388-7A PUMP DISCHARGE FITTING

AVAILABLE ON IRON PUMPS WITH 4° ANGLE COMPENSATED BODIES ONLY



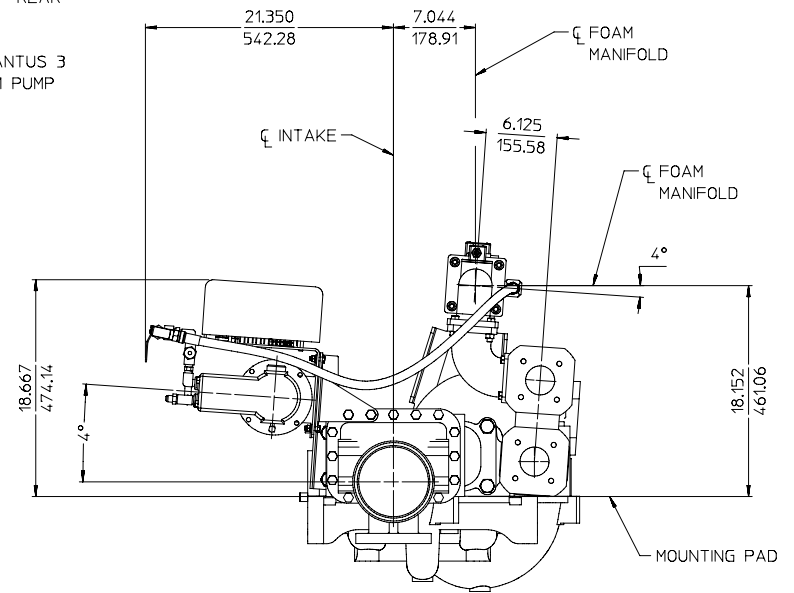
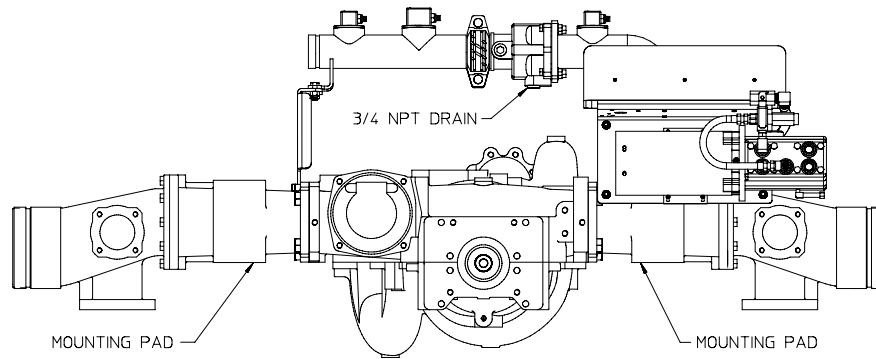
THE FOLLOWING ITEMS SHIPPED LOOSE:

1. INSTRUCTION PLATE. (SEE DETAIL A ON PAGE 16).
2. OIT CONTROL MODULE (SEE DETAIL B ON PAGE 16).
3. INLET LINE STRAINER WITH NIPPLE (SEE DETAIL C ON PAGE 16).
4. MOLDED CABLE KIT.
5. OPTIONAL ACCESSORIES (SEE PAGE 35).

NOTE:

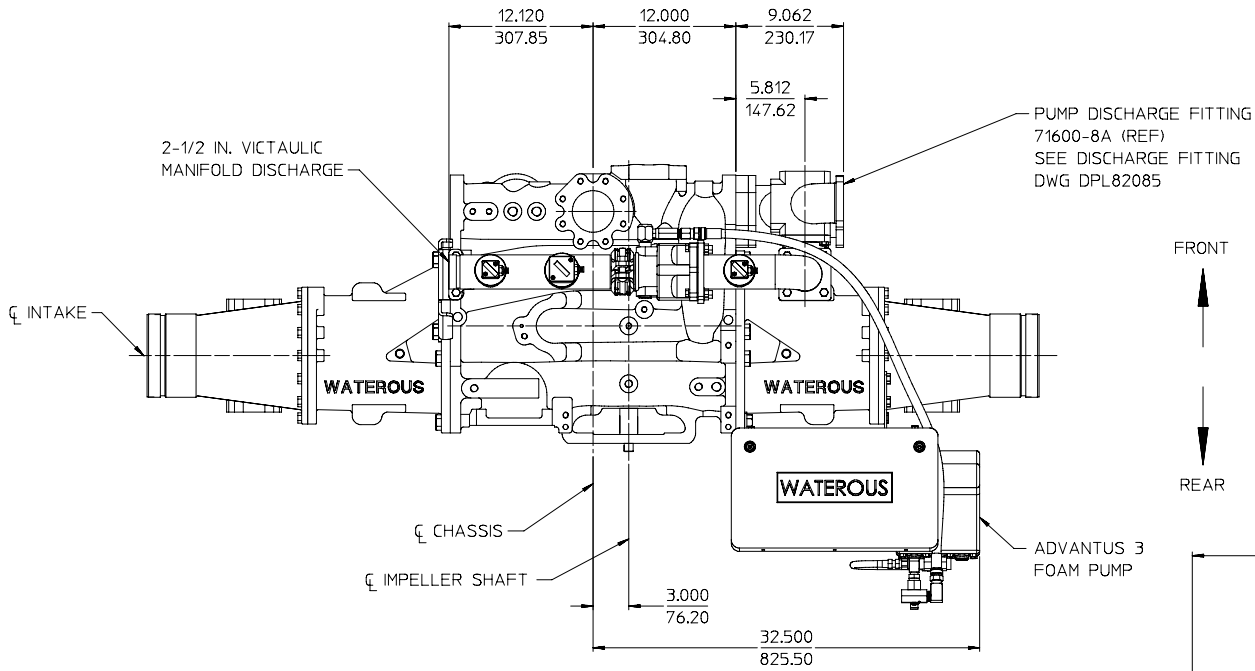
REAR INTAKE ADAPTER NOT AVAILABLE ON RIGHT SIDE.

ALL DIMENSIONS SHOWN
AS INCH/MILLIMETER
(
INCH
MILLIMETER)



PUMP MOUNTED ADVANTUS 3 FOAM PUMP
2-1/2 IN. MANIFOLD, LEFT HAND DISCHARGE OVER THE TOP OF PUMP
WITH 71441-30, 83074-30, 83074-31, OR 83074-32 PUMP DISCHARGE FITTING

AVAILABLE ON IRON PUMPS WITH 4° ANGLE COMPENSATED BODIES ONLY



- THE FOLLOWING ITEMS SHIPPED LOOSE:
1. INSTRUCTION PLATE. (SEE DETAIL A ON PAGE 16).
 2. OIT CONTROL MODULE (SEE DETAIL B ON PAGE 16).
 3. INLET LINE STRAINER WITH NIPPLE (SEE DETAIL C ON PAGE 16).
 4. MOLDED CABLE KIT.
 5. OPTIONAL ACCESSORIES (SEE PAGE 35).

NOTE:
REAR INTAKE ADAPTER NOT AVAILABLE ON RIGHT SIDE.

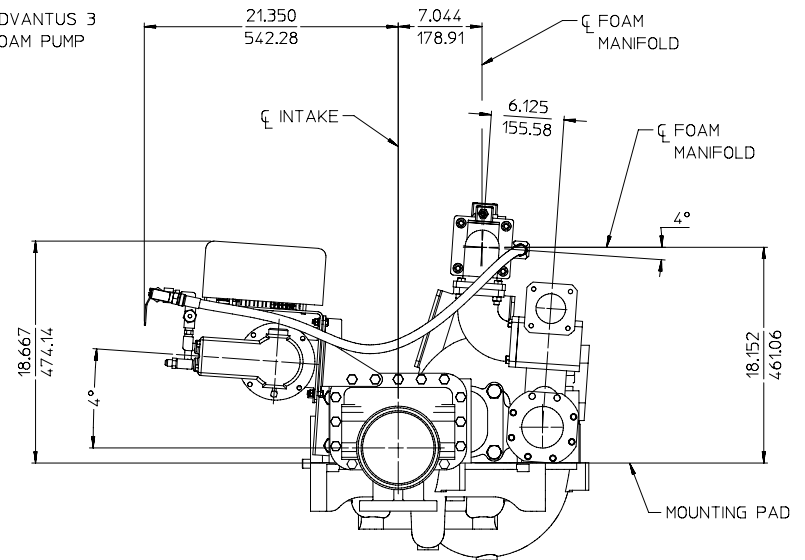
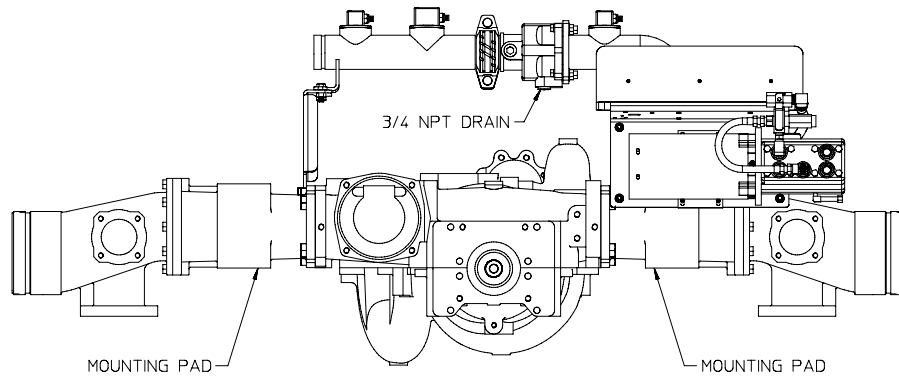
FRONT



REAR

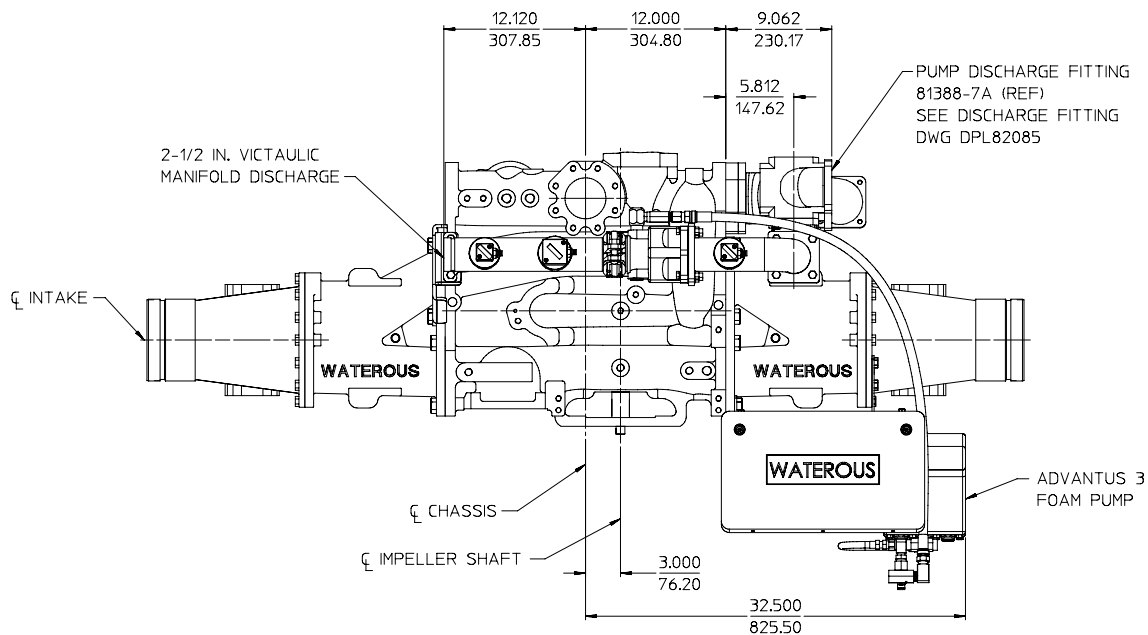


ALL DIMENSIONS SHOWN
AS INCH/MILLIMETER
($\frac{\text{INCH}}{\text{MILLIMETER}}$)



PUMP MOUNTED ADVANTUS 3 FOAM PUMP
2-1/2 IN. MANIFOLD, LEFT HAND DISCHARGE OVER THE TOP OF PUMP
WITH 71600-8A PUMP DISCHARGE FITTING

AVAILABLE ON IRON PUMPS WITH 4° ANGLE COMPENSATED BODIES ONLY

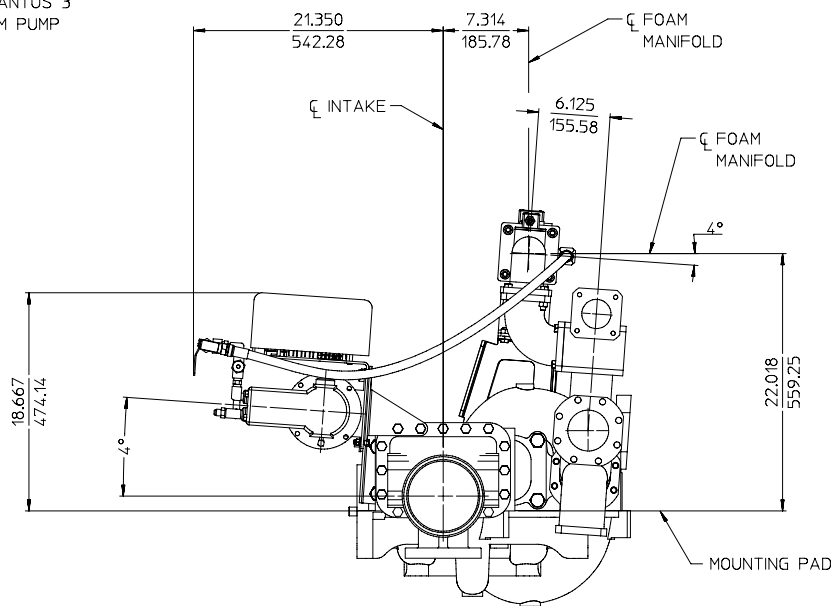
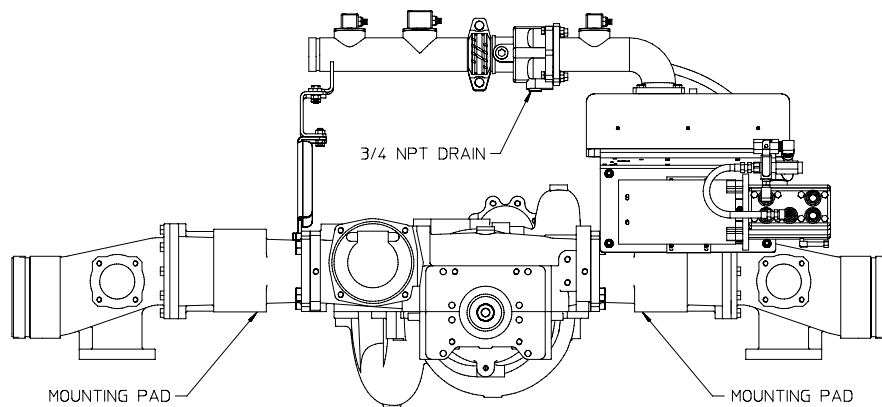


FRONT
↑
↓
REAR

- THE FOLLOWING ITEMS SHIPPED LOOSE:
1. INSTRUCTION PLATE. (SEE DETAIL A ON PAGE 16).
 2. OIT CONTROL MODULE (SEE DETAIL B ON PAGE 16).
 3. INLET LINE STRAINER WITH NIPPLE (SEE DETAIL C ON PAGE 16).
 4. MOLDED CABLE KIT.
 5. OPTIONAL ACCESSORIES (SEE PAGE 35).

NOTE:
REAR INTAKE ADAPTER NOT AVAILABLE ON RIGHT SIDE.

ALL DIMENSIONS SHOWN
AS INCH/MILLIMETER
($\frac{\text{INCH}}{\text{MILLIMETER}}$)



PUMP MOUNTED ADVANTUS 3 FOAM PUMP
2-1/2 IN. MANIFOLD, LEFT HAND DISCHARGE OVER THE TOP OF PUMP
WITH 81388-7A PUMP DISCHARGE FITTING

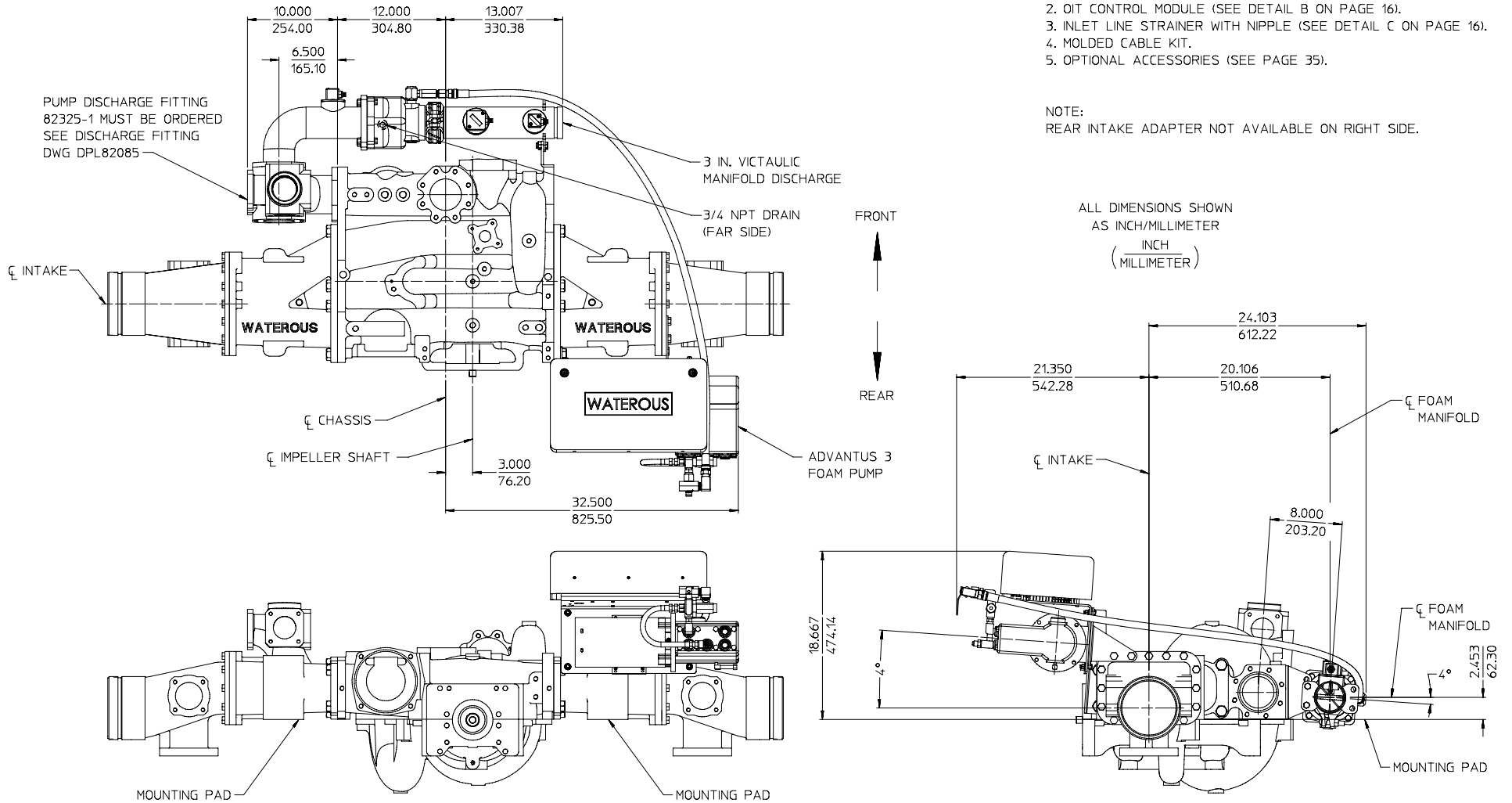
AVAILABLE ON IRON PUMPS WITH 4° ANGLE COMPENSATED BODIES ONLY

THE FOLLOWING ITEMS SHIPPED LOOSE:

1. INSTRUCTION PLATE. (SEE DETAIL A ON PAGE 16).
2. OIT CONTROL MODULE (SEE DETAIL B ON PAGE 16).
3. INLET LINE STRAINER WITH NIPPLE (SEE DETAIL C ON PAGE 16).
4. MOLDED CABLE KIT.
5. OPTIONAL ACCESSORIES (SEE PAGE 35).

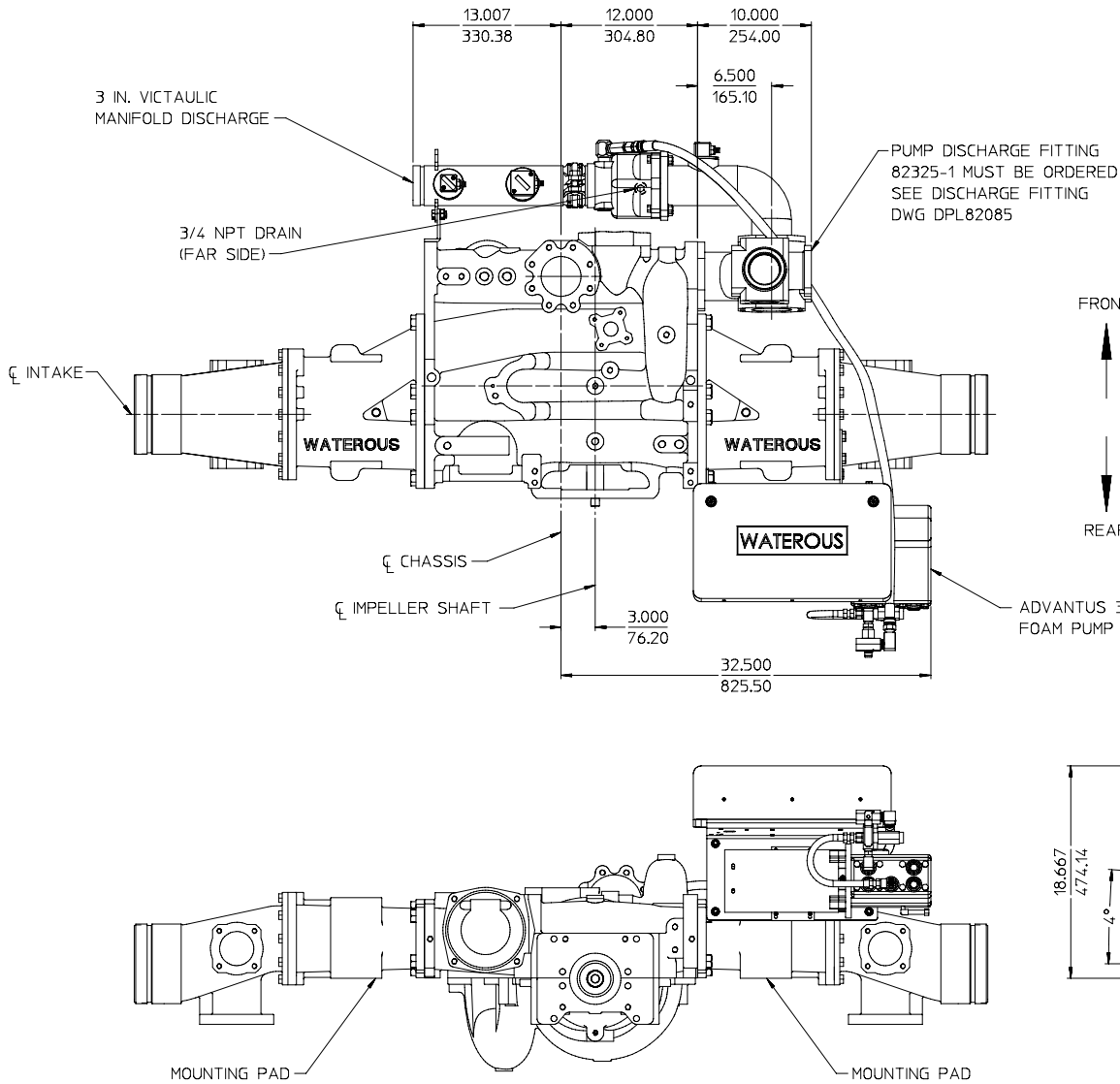
NOTE:

REAR INTAKE ADAPTER NOT AVAILABLE ON RIGHT SIDE.



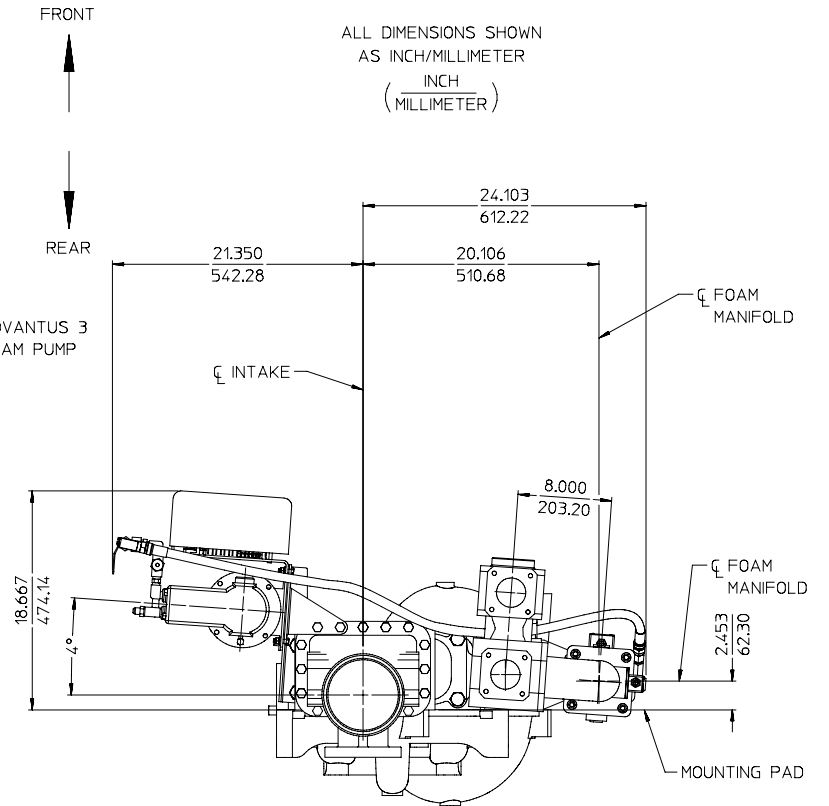
PUMP MOUNTED ADVANTUS 3 FOAM PUMP
3 IN. MANIFOLD, RIGHT HAND DISCHARGE ON THE FRONT OF PUMP
WITH 82325-1 PUMP DISCHARGE FITTING

AVAILABLE ON IRON PUMPS WITH 4° ANGLE COMPENSATED BODIES ONLY



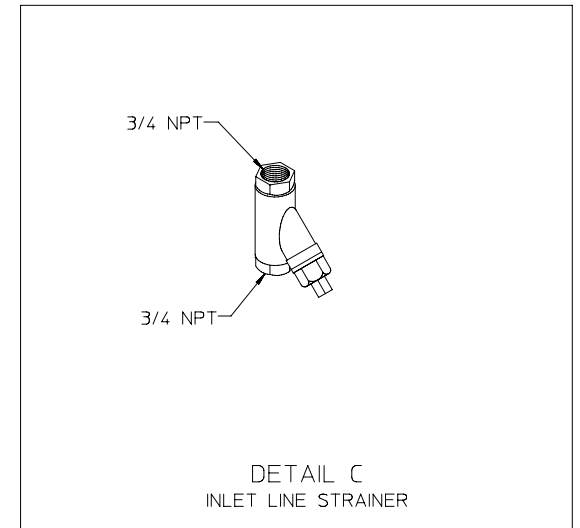
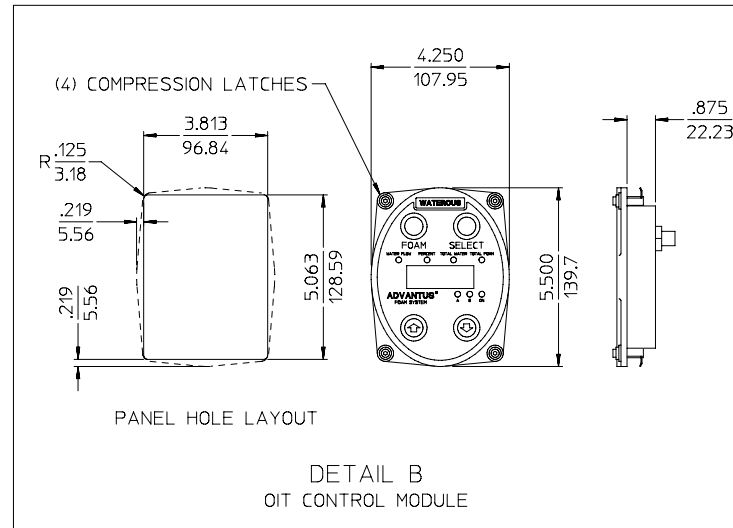
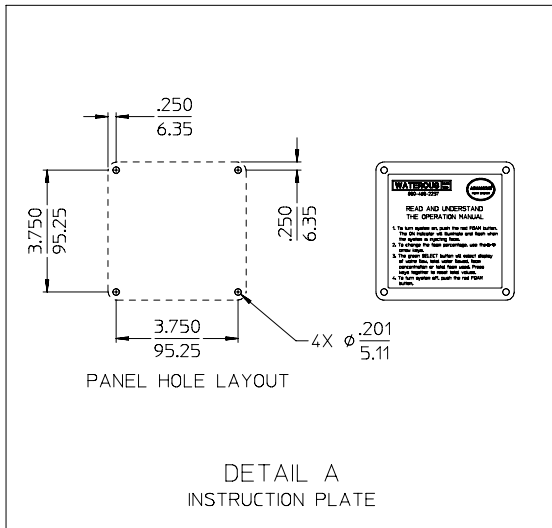
- THE FOLLOWING ITEMS SHIPPED LOOSE:
1. INSTRUCTION PLATE. (SEE DETAIL A ON PAGE 16).
 2. OIT CONTROL MODULE (SEE DETAIL B ON PAGE 16).
 3. INLET LINE STRAINER WITH NIPPLE (SEE DETAIL C ON PAGE 16).
 4. MOLDED CABLE KIT.
 5. OPTIONAL ACCESSORIES (SEE PAGE 35).

NOTE:
REAR INTAKE ADAPTER NOT AVAILABLE ON RIGHT SIDE.



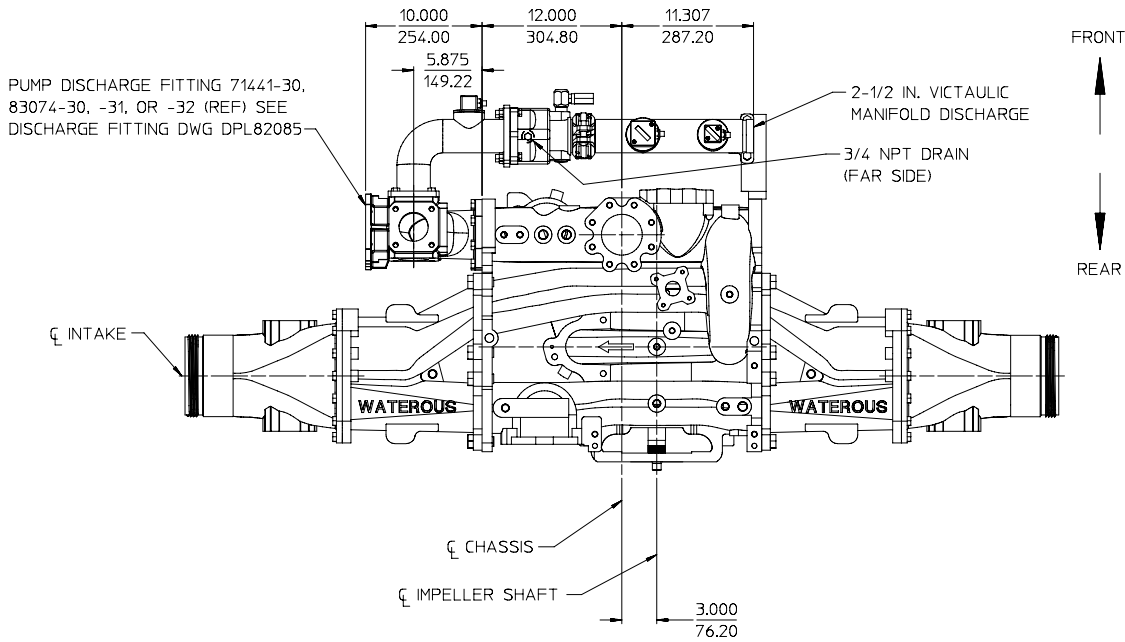
PUMP MOUNTED ADVANTUS 3 FOAM PUMP
3 IN. MANIFOLD, LEFT HAND DISCHARGE ON THE FRONT OF PUMP
WITH 82325-1 PUMP DISCHARGE FITTING

AVAILABLE ON IRON PUMPS WITH 4° ANGLE COMPENSATED BODIES ONLY



ITEMS SHIPPED LOOSE
FOR PUMPS WHERE ADVANTUS FOAM PUMP IS PUMP MOUNTED

ALL DIMENSIONS SHOWN
AS INCH/MILLIMETER
(INCH)
(MILLIMETER)



THE FOLLOWING ITEMS SHIPPED LOOSE:

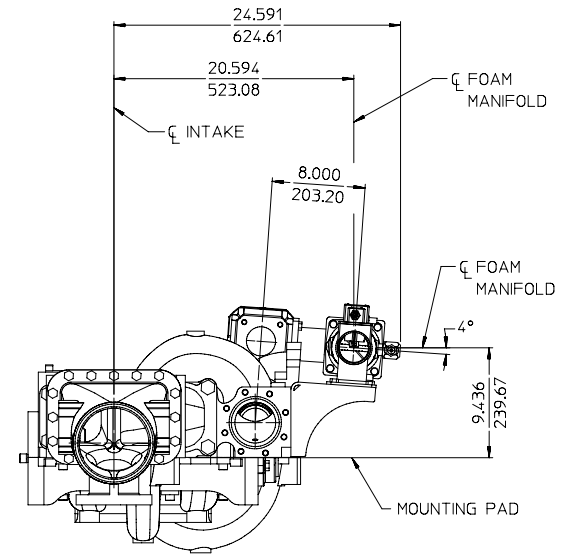
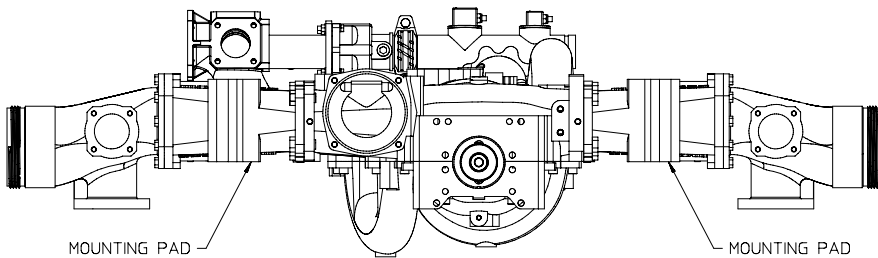
1. INSTRUCTION PLATE. (SEE DETAIL A ON PAGE 34).
2. OIT CONTROL MODULE (SEE DETAIL B ON PAGE 34).
3. INLET LINE STRAINER WITH NIPPLE (SEE DETAIL C ON PAGE 34).
4. ADVANTUS 3 FOAM PUMP (SEE DETAIL D ON PAGE 34)
5. FOAM INJECTION HOSE KIT (SEE DETAIL E ON PAGE 34)
6. MOLDED CABLE KIT.
7. OPTIONAL ACCESSORIES (SEE PAGE 35).

NOTE:

REAR INTAKE ADAPTER NOT AVAILABLE ON RIGHT SIDE.

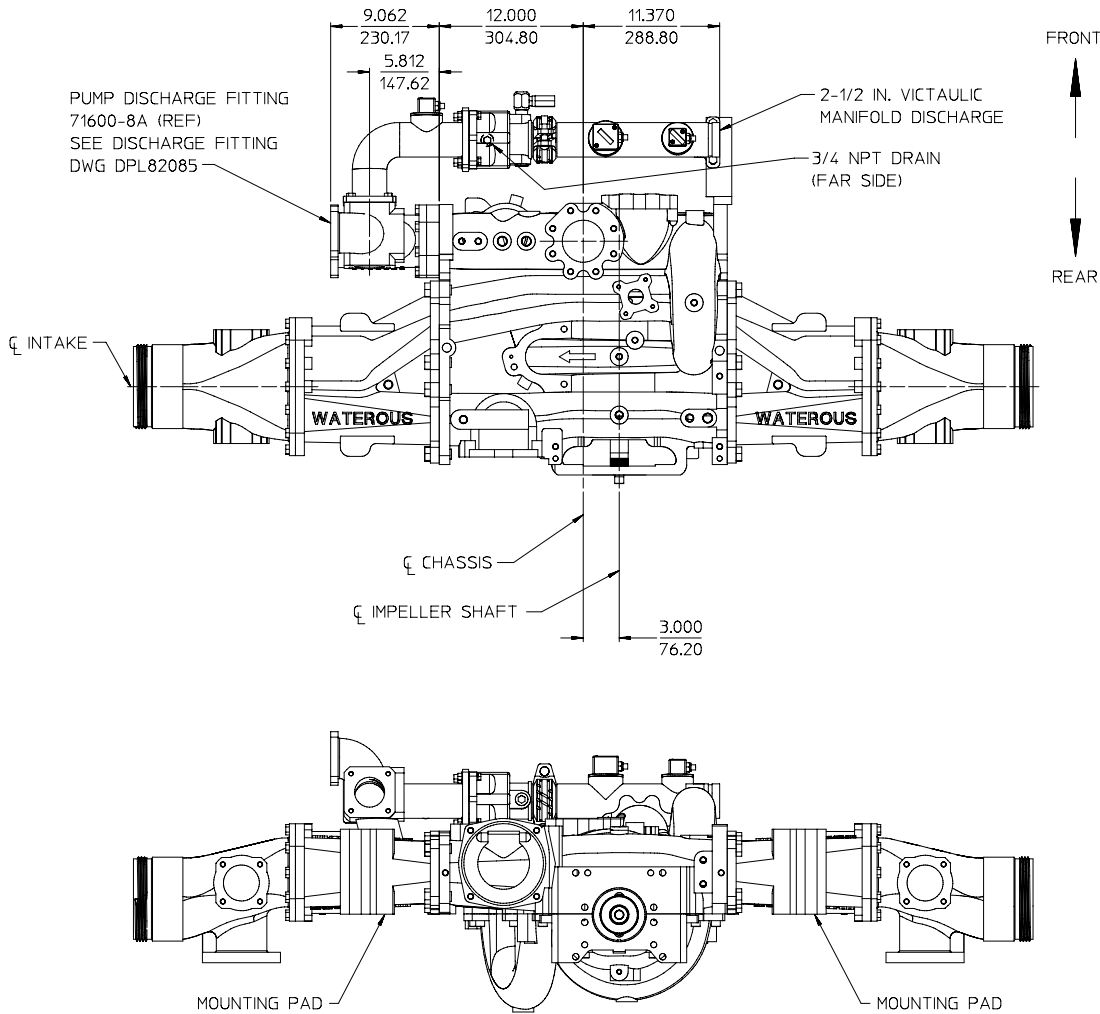
ALL DIMENSIONS SHOWN
AS INCH/MILLIMETER

($\frac{\text{INCH}}{\text{MILLIMETER}}$)



SEPARATELY MOUNTED ADVANTUS 3 FOAM PUMP
2-1/2 IN. MANIFOLD, RIGHT HAND DISCHARGE ON THE FRONT OF PUMP
WITH 71441-30, 83074-30, 83074-31, OR 83074-32 PUMP DISCHARGE FITTING

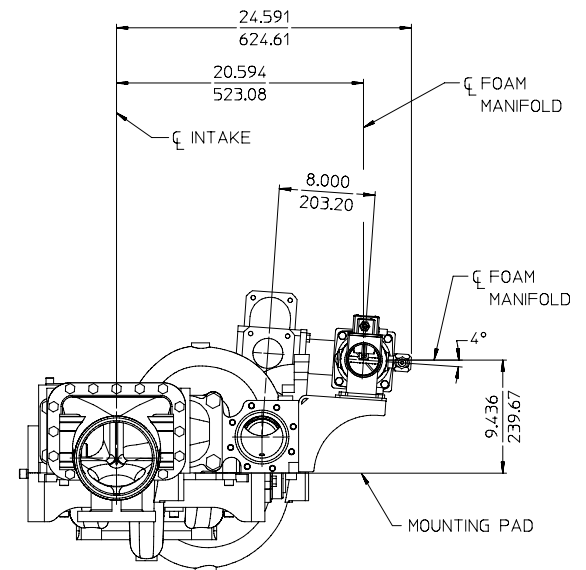
AVAILABLE ON IRON PUMPS WITH 4° ANGLE COMPENSATED BODIES ONLY



- THE FOLLOWING ITEMS SHIPPED LOOSE:
1. INSTRUCTION PLATE. (SEE DETAIL A ON PAGE 34).
 2. OIT CONTROL MODULE (SEE DETAIL B ON PAGE 34).
 3. INLET LINE STRAINER WITH NIPPLE (SEE DETAIL C ON PAGE 34).
 4. ADVANTUS 3 FOAM PUMP (SEE DETAIL D ON PAGE 34)
 5. FOAM INJECTION HOSE KIT (SEE DETAIL E ON PAGE 34)
 6. MOLDED CABLE KIT.
 7. OPTIONAL ACCESSORIES (SEE PAGE 35).

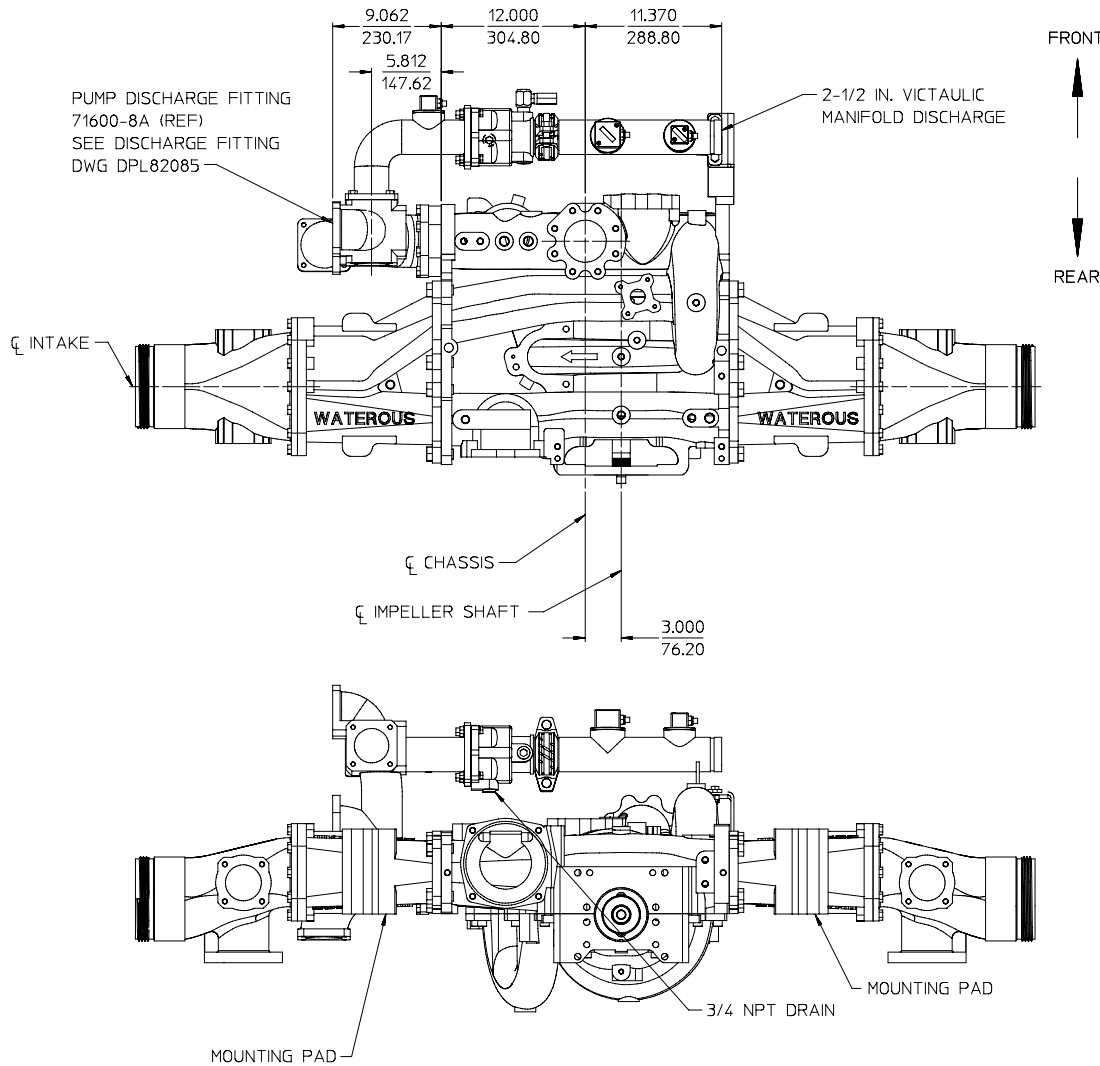
NOTE:
REAR INTAKE ADAPTER NOT AVAILABLE ON RIGHT SIDE.

ALL DIMENSIONS SHOWN
AS INCH/MILLIMETER
(INCH
MILLIMETER)



**SEPARATELY MOUNTED ADVANTUS 3 FOAM PUMP
2-1/2 IN. MANIFOLD, RIGHT HAND DISCHARGE ON THE FRONT OF PUMP
WITH 71600-8A PUMP DISCHARGE FITTING**

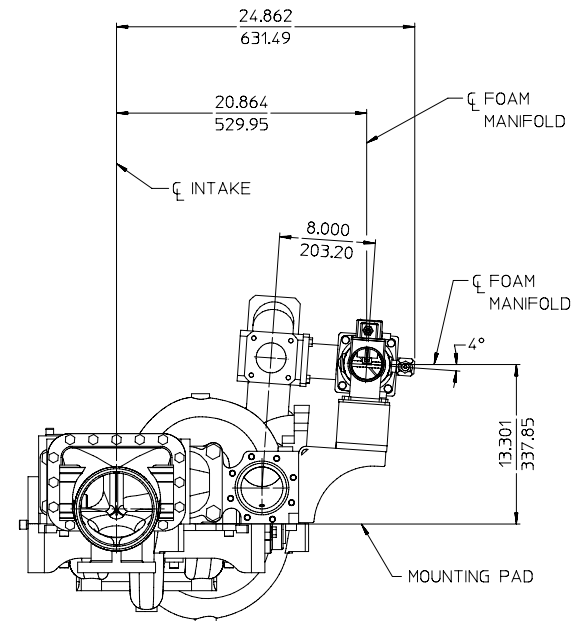
AVAILABLE ON IRON PUMPS WITH 4° ANGLE COMPENSATED BODIES ONLY



- THE FOLLOWING ITEMS SHIPPED LOOSE:
1. INSTRUCTION PLATE. (SEE DETAIL A ON PAGE 34).
 2. OIT CONTROL MODULE (SEE DETAIL B ON PAGE 34).
 3. INLET LINE STRAINER WITH NIPPLE (SEE DETAIL C ON PAGE 34).
 4. ADVANTUS 3 FOAM PUMP (SEE DETAIL D ON PAGE 34)
 5. FOAM INJECTION HOSE KIT (SEE DETAIL E ON PAGE 34)
 6. MOLDED CABLE KIT.
 7. OPTIONAL ACCESSORIES (SEE PAGE 35).

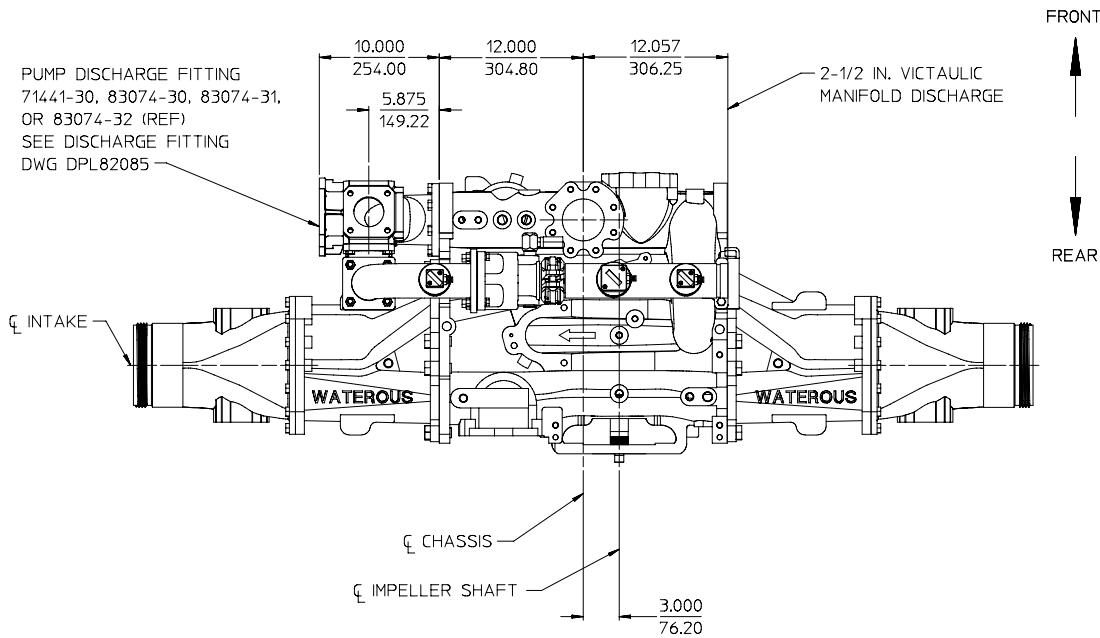
NOTE:
REAR INTAKE ADAPTER NOT AVAILABLE ON RIGHT SIDE.

ALL DIMENSIONS SHOWN
AS INCH/MILLIMETER
 $\left(\frac{\text{INCH}}{\text{MILLIMETER}} \right)$



**SEPARATELY MOUNTED ADVANTUS 3 FOAM PUMP
2-1/2 IN. MANIFOLD, RIGHT HAND DISCHARGE ON THE FRONT OF PUMP
WITH 81388-7A PUMP DISCHARGE FITTING**

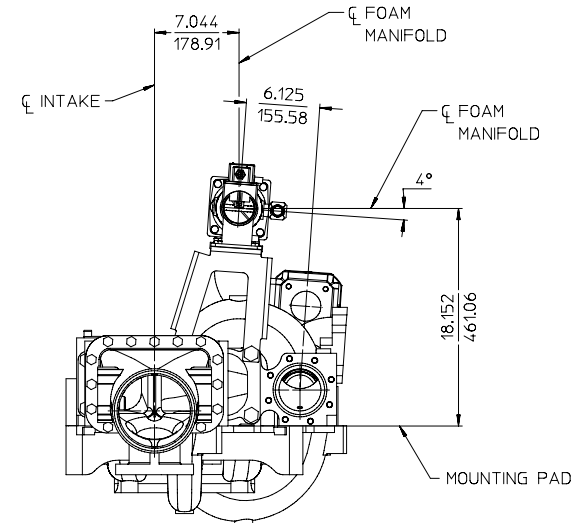
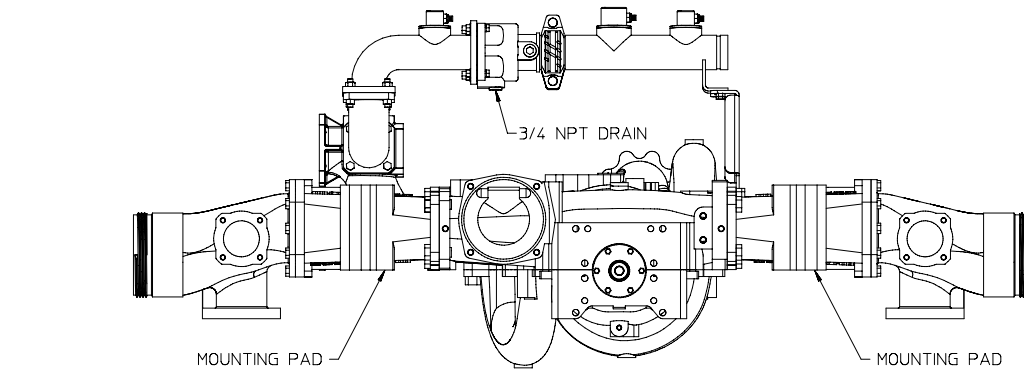
AVAILABLE ON IRON PUMPS WITH 4° ANGLE COMPENSATED BODIES ONLY



- THE FOLLOWING ITEMS SHIPPED LOOSE:
1. INSTRUCTION PLATE. (SEE DETAIL A ON PAGE 34).
 2. OIT CONTROL MODULE (SEE DETAIL B ON PAGE 34).
 3. INLET LINE STRAINER WITH NIPPLE (SEE DETAIL C ON PAGE 34).
 4. ADVANTUS 3 FOAM PUMP (SEE DETAIL D ON PAGE 34)
 5. FOAM INJECTION HOSE KIT (SEE DETAIL E ON PAGE 34)
 6. MOLDED CABLE KIT.
 7. OPTIONAL ACCESSORIES (SEE PAGE 35).

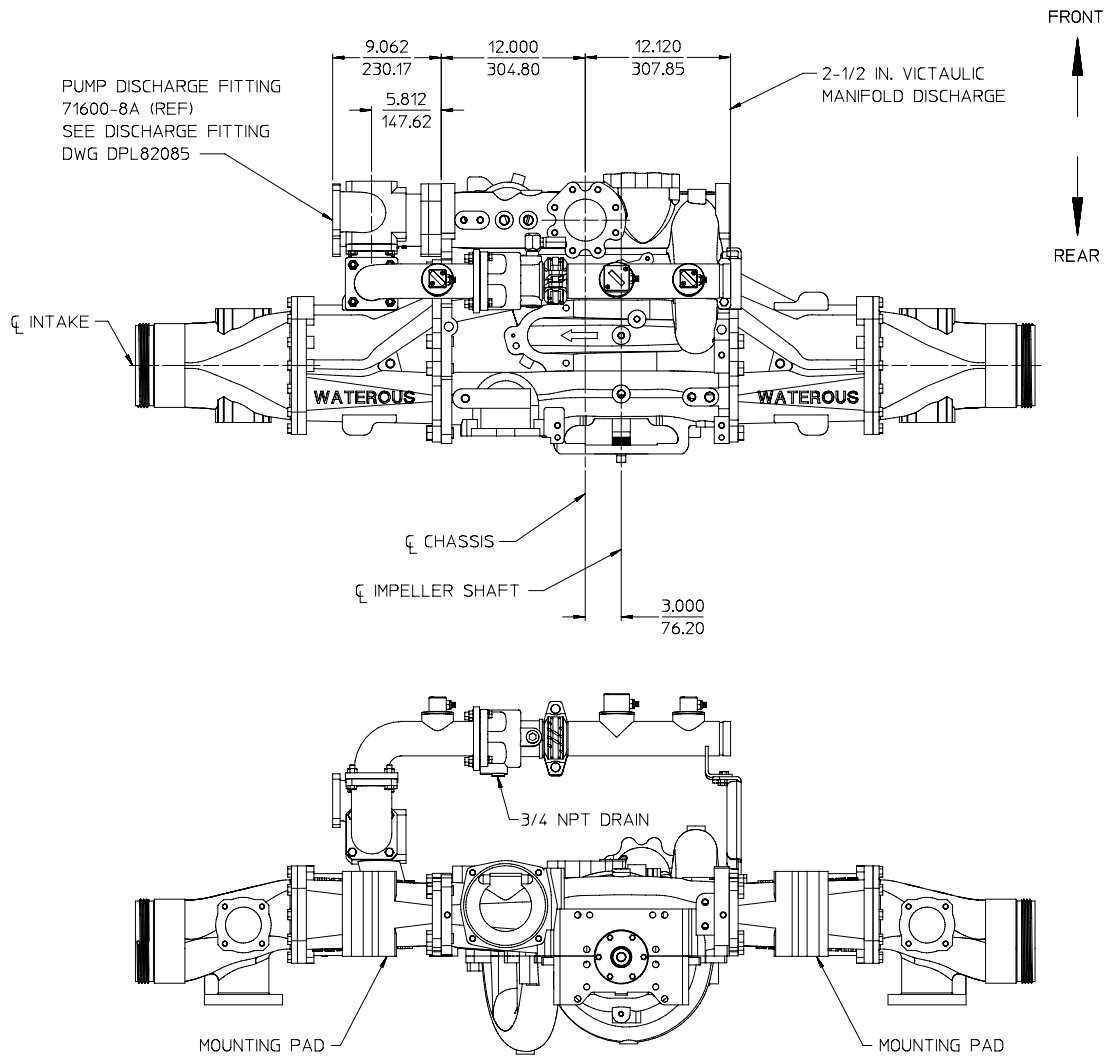
NOTE:
REAR INTAKE ADAPTER NOT AVAILABLE ON RIGHT SIDE.

ALL DIMENSIONS SHOWN
AS INCH/MILLIMETER
(INCH
MILLIMETER)



**SEPARATELY MOUNTED ADVANTUS 3 FOAM PUMP
2-1/2 IN. MANIFOLD, RIGHT HAND DISCHARGE OVER THE TOP OF PUMP
WITH 71441-30, 83074-30, 83074-31, OR 83074-32 PUMP DISCHARGE FITTING**

AVAILABLE ON IRON PUMPS WITH 4° ANGLE COMPENSATED BODIES ONLY



FRONT
↑
↓
REAR

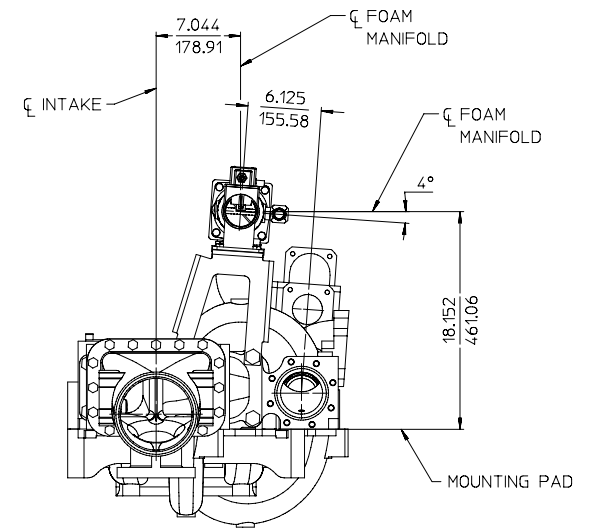
THE FOLLOWING ITEMS SHIPPED LOOSE:

1. INSTRUCTION PLATE. (SEE DETAIL A ON PAGE 34).
2. OIT CONTROL MODULE (SEE DETAIL B ON PAGE 34).
3. INLET LINE STRAINER WITH NIPPLE (SEE DETAIL C ON PAGE 34).
4. ADVANTUS 3 FOAM PUMP (SEE DETAIL D ON PAGE 34)
5. FOAM INJECTION HOSE KIT (SEE DETAIL E ON PAGE 34)
6. MOLDED CABLE KIT.
7. OPTIONAL ACCESSORIES (SEE PAGE 35).

NOTE:

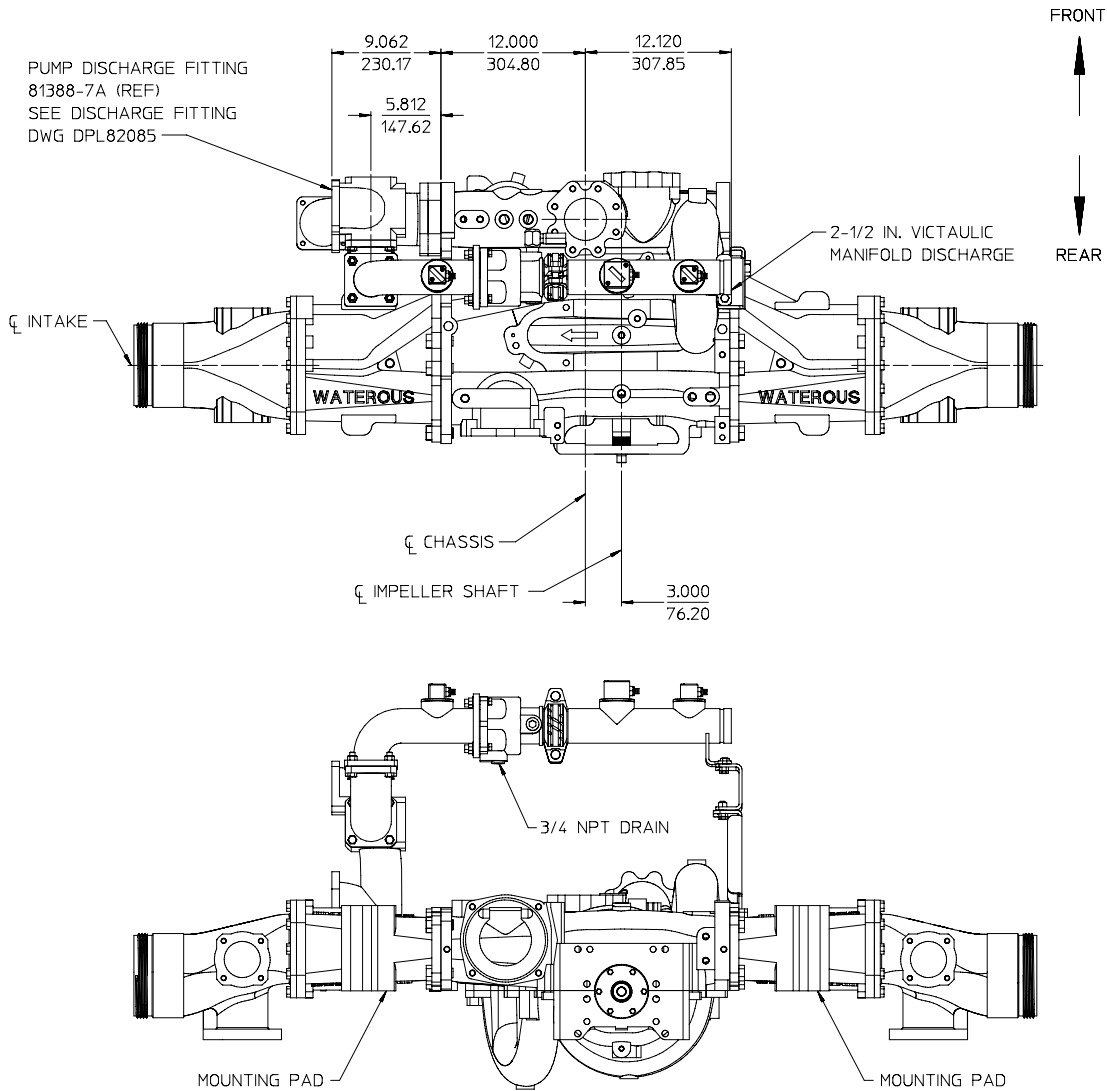
REAR INTAKE ADAPTER NOT AVAILABLE ON RIGHT SIDE.

ALL DIMENSIONS SHOWN
AS INCH/MILLIMETER
(INCH
MILLIMETER)



SEPARATELY MOUNTED ADVANTUS 3 FOAM PUMP
2-1/2 IN. MANIFOLD, RIGHT HAND DISCHARGE OVER THE TOP OF PUMP
WITH 71600-8A PUMP DISCHARGE FITTING

AVAILABLE ON IRON PUMPS WITH 4° ANGLE COMPENSATED BODIES ONLY



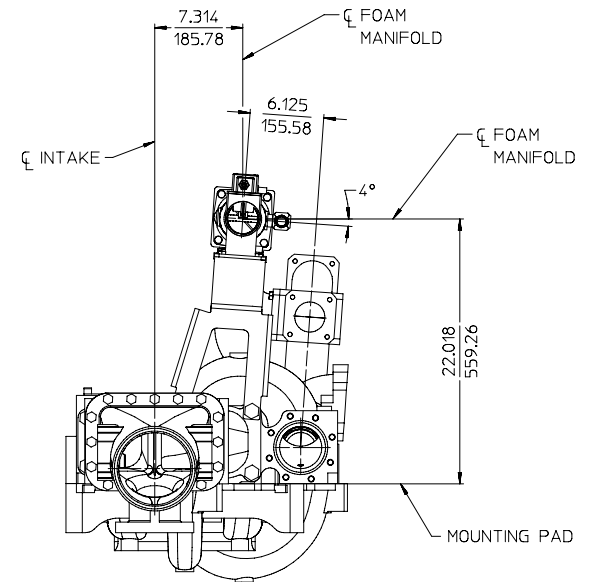
THE FOLLOWING ITEMS SHIPPED LOOSE:

1. INSTRUCTION PLATE. (SEE DETAIL A ON PAGE 34).
2. OIT CONTROL MODULE (SEE DETAIL B ON PAGE 34).
3. INLET LINE STRAINER WITH NIPPLE (SEE DETAIL C ON PAGE 34).
4. ADVANTUS 3 FOAM PUMP (SEE DETAIL D ON PAGE 34)
5. FOAM INJECTION HOSE KIT (SEE DETAIL E ON PAGE 34)
6. MOLDED CABLE KIT.
7. OPTIONAL ACCESSORIES (SEE PAGE 35).

NOTE:

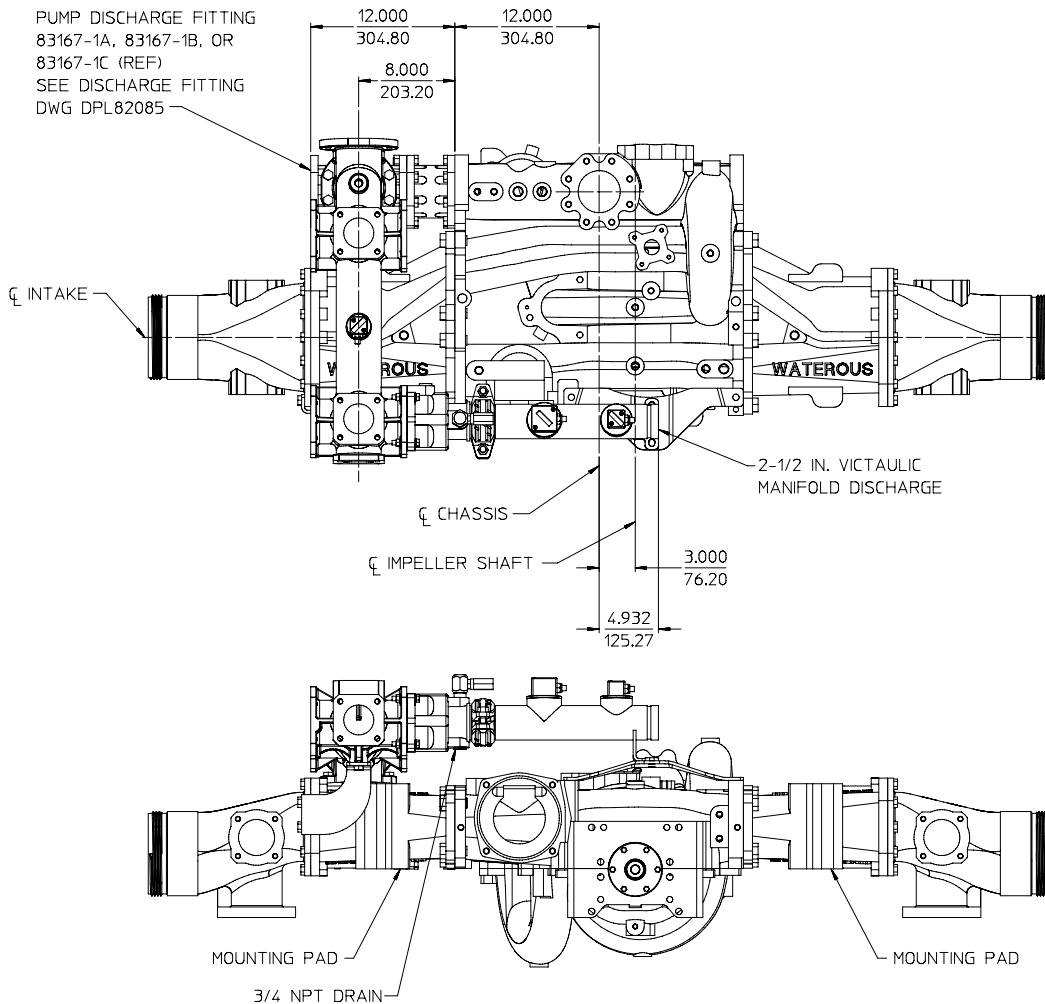
REAR INTAKE ADAPTER NOT AVAILABLE ON RIGHT SIDE.

ALL DIMENSIONS SHOWN
AS INCH/MILLIMETER
(INCH
MILLIMETER)



SEPARATELY MOUNTED ADVANTUS 3 FOAM PUMP
2-1/2 IN. MANIFOLD, RIGHT HAND DISCHARGE OVER THE TOP OF PUMP
WITH 81388-7A PUMP DISCHARGE FITTING

AVAILABLE ON IRON PUMPS WITH 4° ANGLE COMPENSATED BODIES ONLY



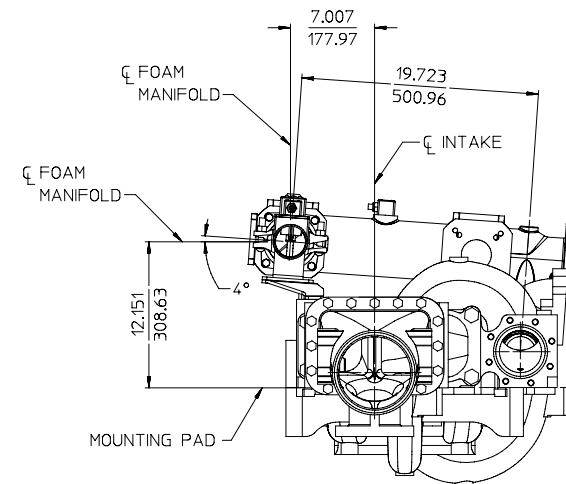
THE FOLLOWING ITEMS SHIPPED LOOSE:

1. INSTRUCTION PLATE. (SEE DETAIL A ON PAGE 34).
2. OIT CONTROL MODULE (SEE DETAIL B ON PAGE 34).
3. INLET LINE STRAINER WITH NIPPLE (SEE DETAIL C ON PAGE 34).
4. ADVANTUS 3 FOAM PUMP (SEE DETAIL D ON PAGE 34)
5. FOAM INJECTION HOSE KIT (SEE DETAIL E ON PAGE 34)
6. MOLDED CABLE KIT.
7. OPTIONAL ACCESSORIES (SEE PAGE 35).

NOTE:

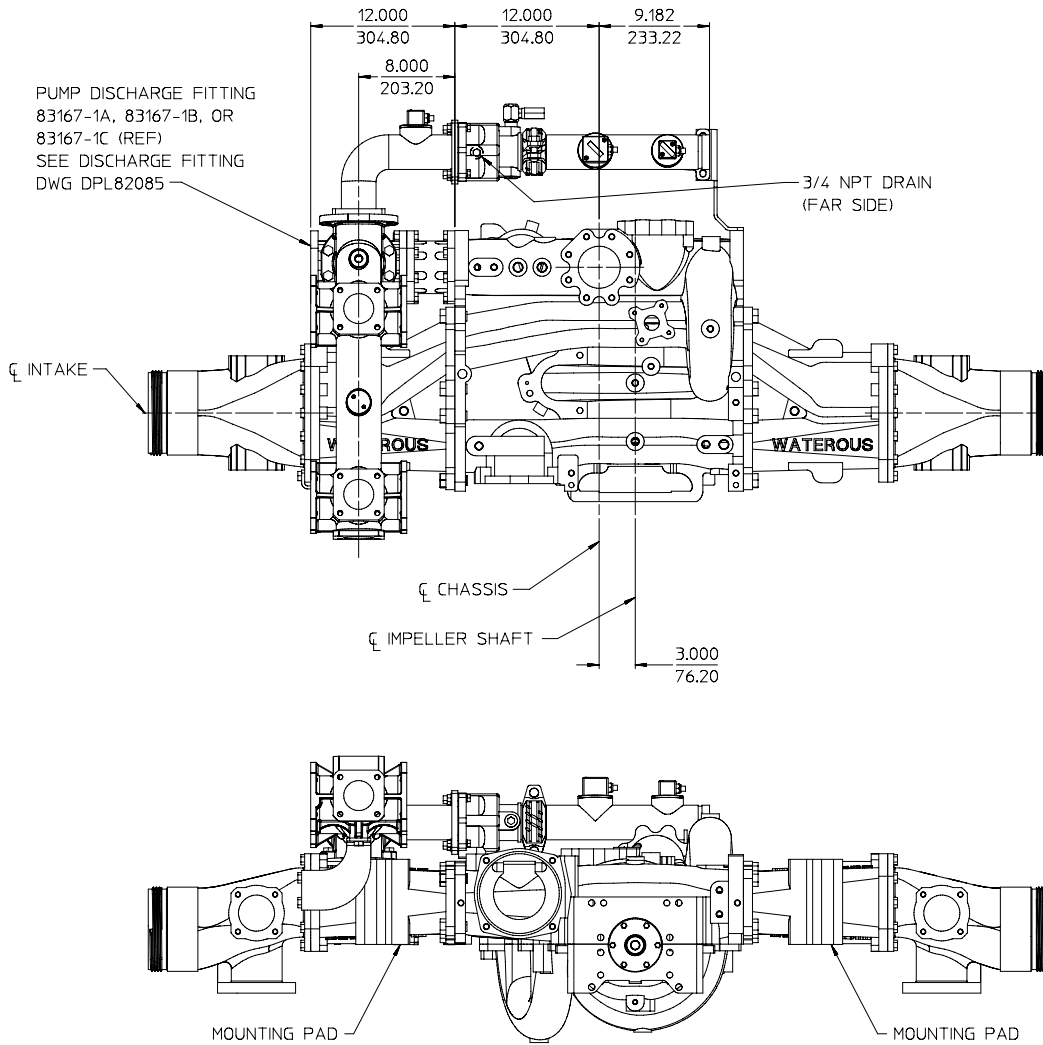
REAR INTAKE ADAPTER NOT AVAILABLE ON RIGHT SIDE.

ALL DIMENSIONS SHOWN
AS INCH/MILLIMETER
(INCH
MILLIMETER)



**SEPARATELY MOUNTED ADVANTUS 3 FOAM PUMP
2-1/2 IN. MANIFOLD, RIGHT HAND DISCHARGE ON THE REAR OF PUMP
WITH 83167-1A, 83167-1B, OR 83167-1C PUMP DISCHARGE MANIFOLD**

AVAILABLE ON IRON PUMPS WITH 4° ANGLE COMPENSATED BODIES ONLY



THE FOLLOWING ITEMS SHIPPED LOOSE:

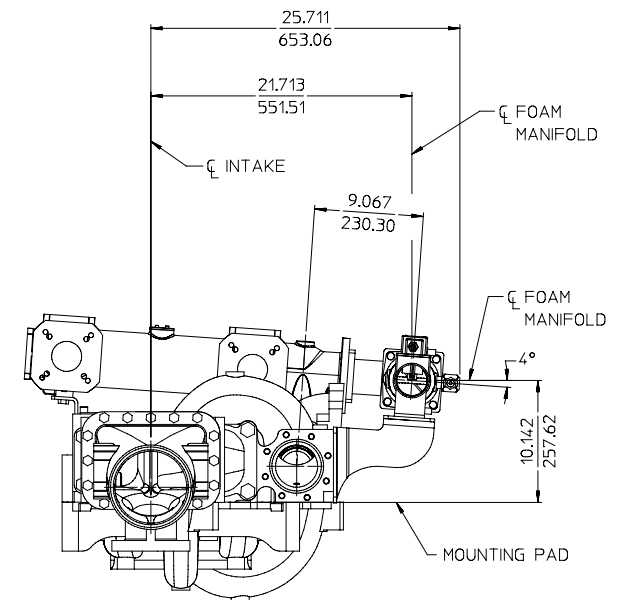
1. INSTRUCTION PLATE. (SEE DETAIL A ON PAGE 34).
2. OIT CONTROL MODULE (SEE DETAIL B ON PAGE 34).
3. INLET LINE STRAINER WITH NIPPLE (SEE DETAIL C ON PAGE 34).
4. ADVANTUS 3 FOAM PUMP (SEE DETAIL D ON PAGE 34)
5. FOAM INJECTION HOSE KIT (SEE DETAIL E ON PAGE 34)
6. MOLDED CABLE KIT.
7. OPTIONAL ACCESSORIES (SEE PAGE 35).

NOTE:

REAR INTAKE ADAPTER NOT AVAILABLE ON RIGHT SIDE.

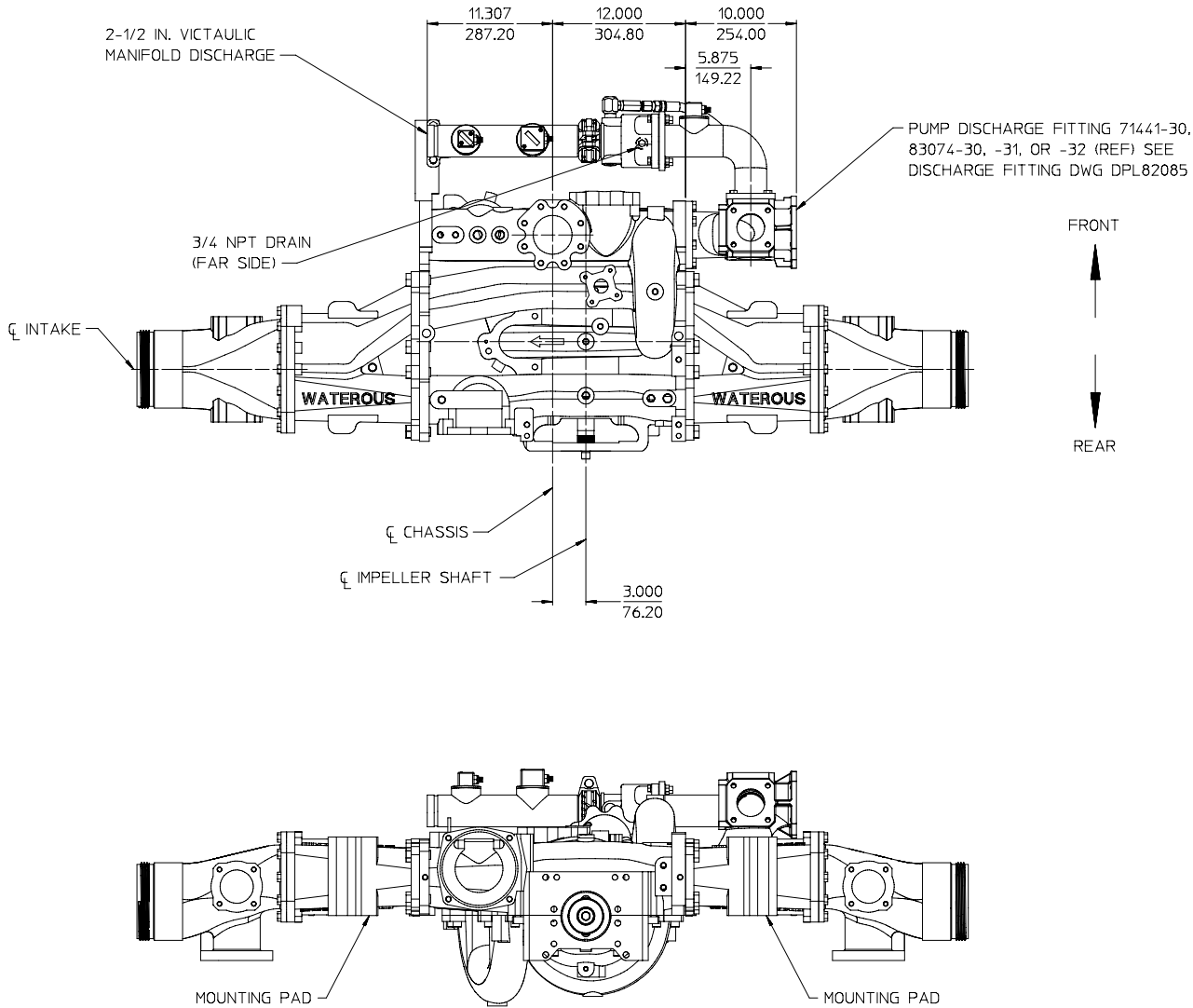
ALL DIMENSIONS SHOWN
AS INCH/MILLIMETER

(
INCH
MILLIMETER)



SEPARATELY MOUNTED ADVANTUS 3 FOAM PUMP
2-1/2 IN. MANIFOLD, RIGHT HAND DISCHARGE ON THE FRONT OF PUMP
WITH 83167-1A, 83167-1B, OR 83167-1C PUMP DISCHARGE MANIFOLD

AVAILABLE ON IRON PUMPS WITH 4° ANGLE COMPENSATED BODIES ONLY



THE FOLLOWING ITEMS SHIPPED LOOSE:

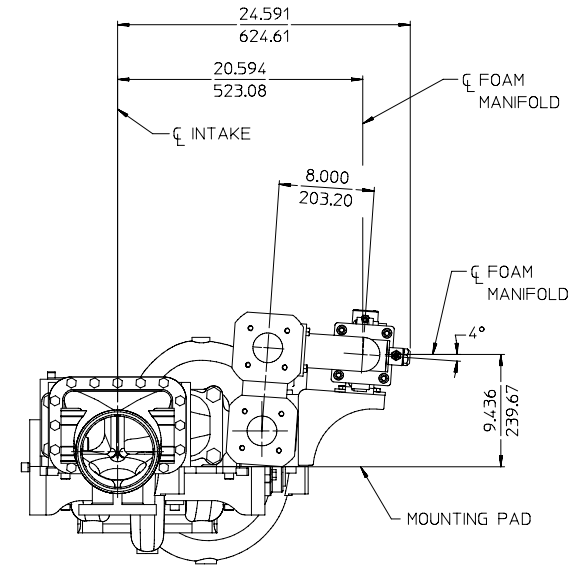
1. INSTRUCTION PLATE. (SEE DETAIL A ON PAGE 34).
2. OIT CONTROL MODULE (SEE DETAIL B ON PAGE 34).
3. INLET LINE STRAINER WITH NIPPLE (SEE DETAIL C ON PAGE 34).
4. ADVANTUS 3 FOAM PUMP (SEE DETAIL D ON PAGE 34)
5. FOAM INJECTION HOSE KIT (SEE DETAIL E ON PAGE 34)
6. MOLDED CABLE KIT.
7. OPTIONAL ACCESSORIES (SEE PAGE 35).

NOTE:

REAR INTAKE ADAPTER NOT AVAILABLE ON RIGHT SIDE.

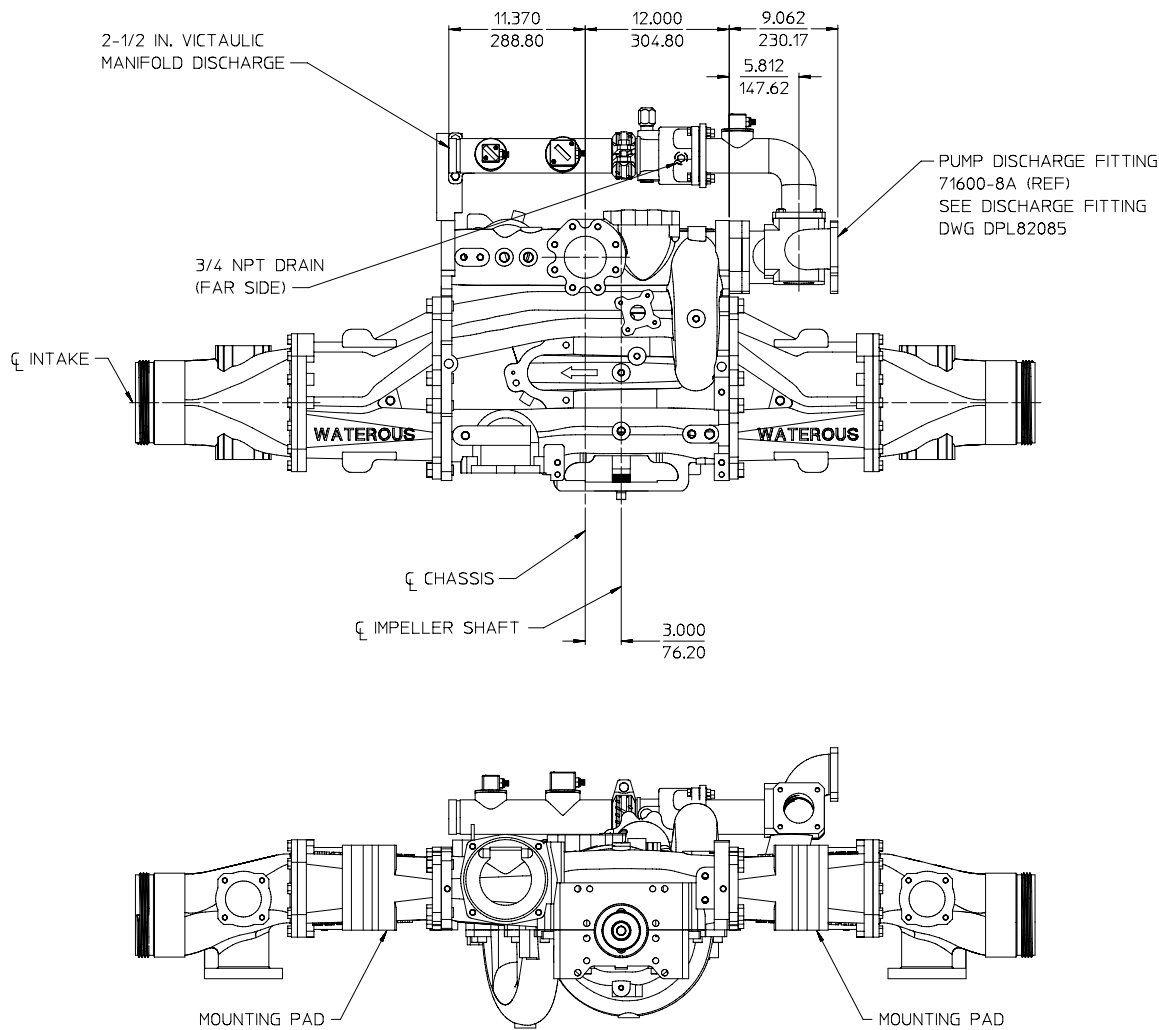
ALL DIMENSIONS SHOWN
AS INCH/MILLIMETER

($\frac{\text{INCH}}{\text{MILLIMETER}}$)



SEPARATELY MOUNTED ADVANTUS 3 FOAM PUMP
2-1/2 IN. MANIFOLD, LEFT HAND DISCHARGE ON THE FRONT OF PUMP
WITH 71441-30, 83074-30, 83074-31, OR 83074-32 PUMP DISCHARGE FITTING

AVAILABLE ON IRON PUMPS WITH 4° ANGLE COMPENSATED BODIES ONLY

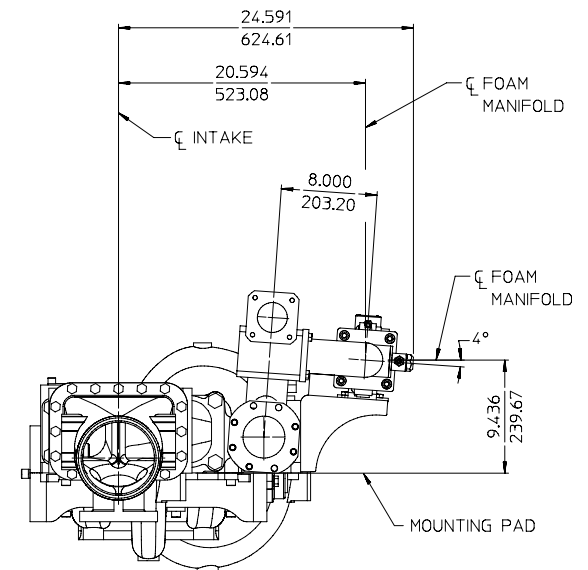


- THE FOLLOWING ITEMS SHIPPED LOOSE:
1. INSTRUCTION PLATE. (SEE DETAIL A ON PAGE 34).
 2. OIT CONTROL MODULE (SEE DETAIL B ON PAGE 34).
 3. INLET LINE STRAINER WITH NIPPLE (SEE DETAIL C ON PAGE 34).
 4. ADVANTUS 3 FOAM PUMP (SEE DETAIL D ON PAGE 34)
 5. FOAM INJECTION HOSE KIT (SEE DETAIL E ON PAGE 34)
 6. MOLDED CABLE KIT.
 7. OPTIONAL ACCESSORIES (SEE PAGE 35).

NOTE:
REAR INTAKE ADAPTER NOT AVAILABLE ON RIGHT SIDE.

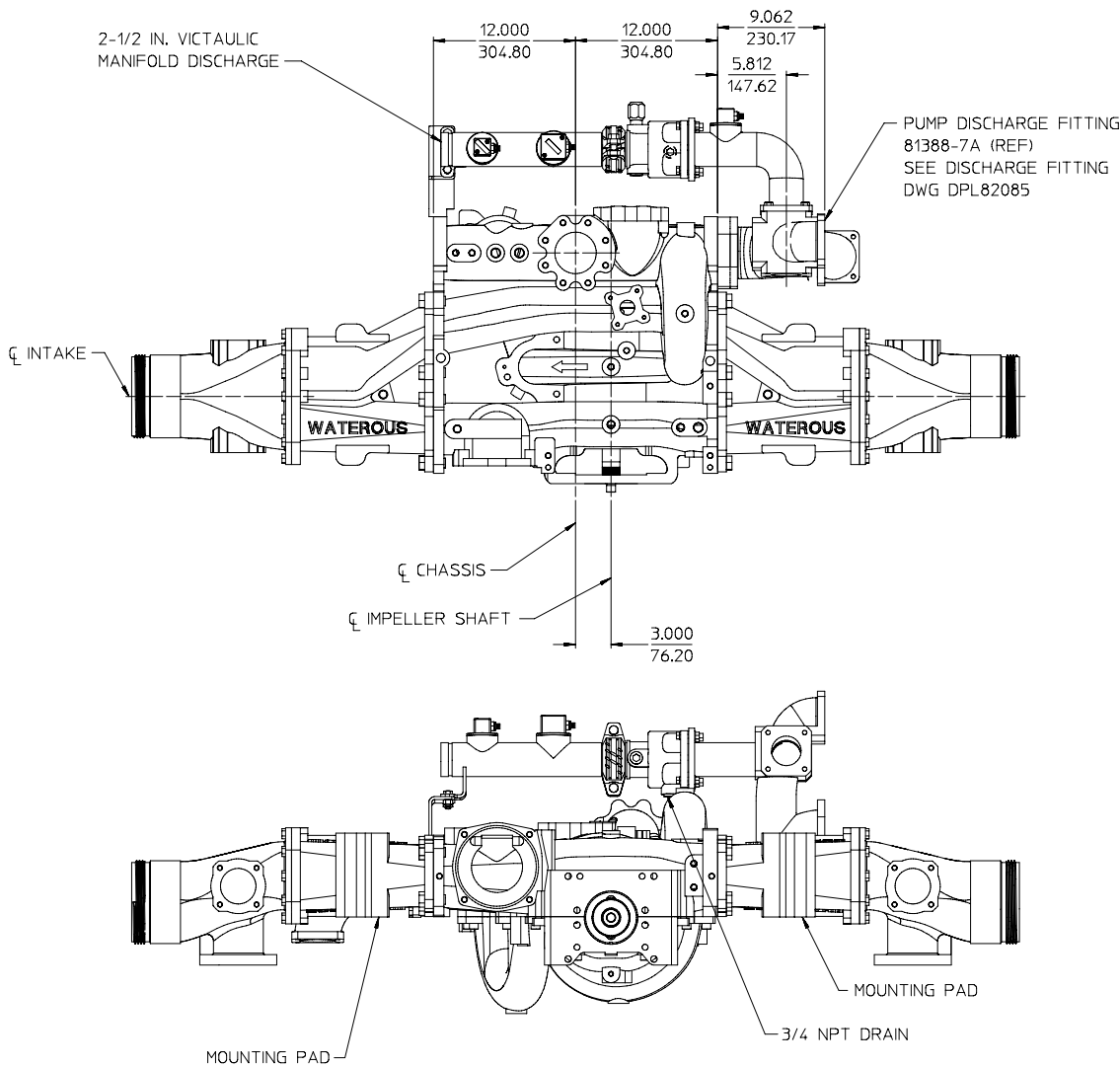
ALL DIMENSIONS SHOWN
AS INCH/MILLIMETER
(INCH
MILLIMETER)

FRONT
↑
↓
REAR



**SEPARATELY MOUNTED ADVANTUS 3 FOAM PUMP
2-1/2 IN. MANIFOLD, LEFT HAND DISCHARGE ON THE FRONT OF PUMP
WITH 71600-8A PUMP DISCHARGE FITTING**

AVAILABLE ON IRON PUMPS WITH 4° ANGLE COMPENSATED BODIES ONLY

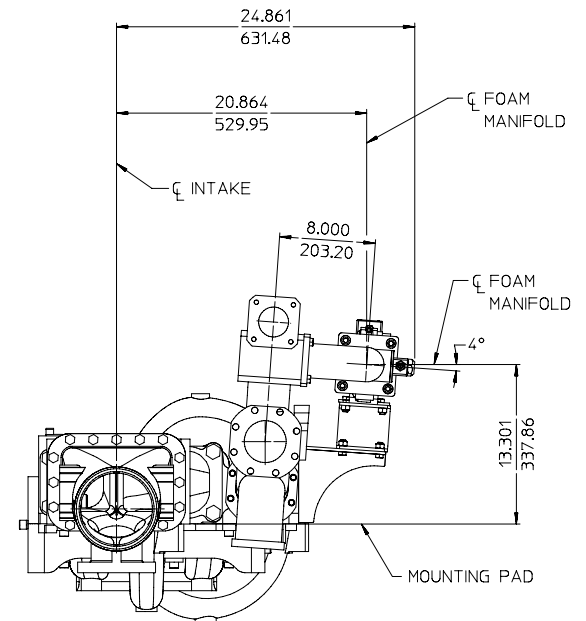


- THE FOLLOWING ITEMS SHIPPED LOOSE:
1. INSTRUCTION PLATE. (SEE DETAIL A ON PAGE 34).
 2. OIT CONTROL MODULE (SEE DETAIL B ON PAGE 34).
 3. INLET LINE STRAINER WITH NIPPLE (SEE DETAIL C ON PAGE 34).
 4. ADVANTUS 3 FOAM PUMP (SEE DETAIL D ON PAGE 34)
 5. FOAM INJECTION HOSE KIT (SEE DETAIL E ON PAGE 34)
 6. MOLDED CABLE KIT.
 7. OPTIONAL ACCESSORIES (SEE PAGE 35).

NOTE:
REAR INTAKE ADAPTER NOT AVAILABLE ON RIGHT SIDE.

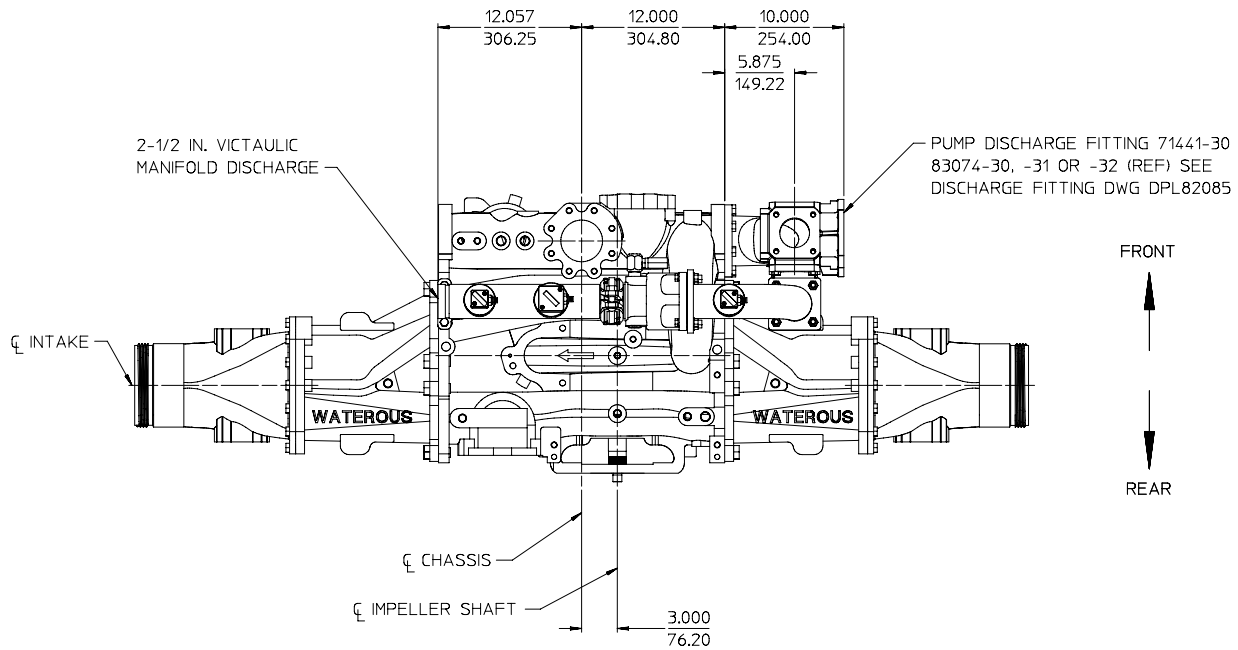
ALL DIMENSIONS SHOWN
AS INCH/MILLIMETER
(INCH / MILLIMETER)

FRONT
↑
↓
REAR



**SEPARATELY MOUNTED ADVANTUS 3 FOAM PUMP
2-1/2 IN. MANIFOLD, LEFT HAND DISCHARGE ON THE FRONT OF PUMP
WITH 81388-7A PUMP DISCHARGE FITTING**

AVAILABLE ON IRON PUMPS WITH 4° ANGLE COMPENSATED BODIES ONLY



THE FOLLOWING ITEMS SHIPPED LOOSE:

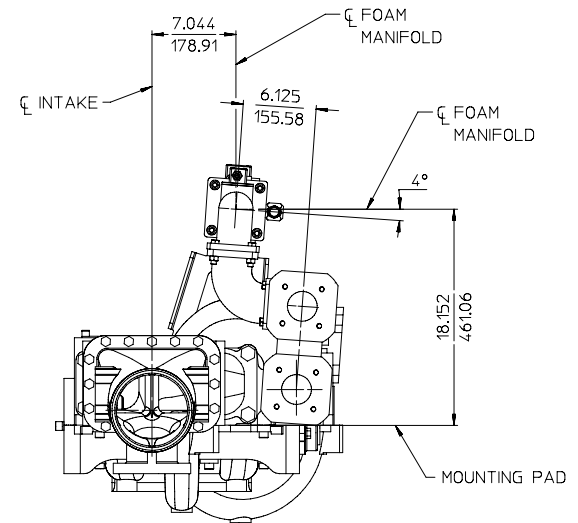
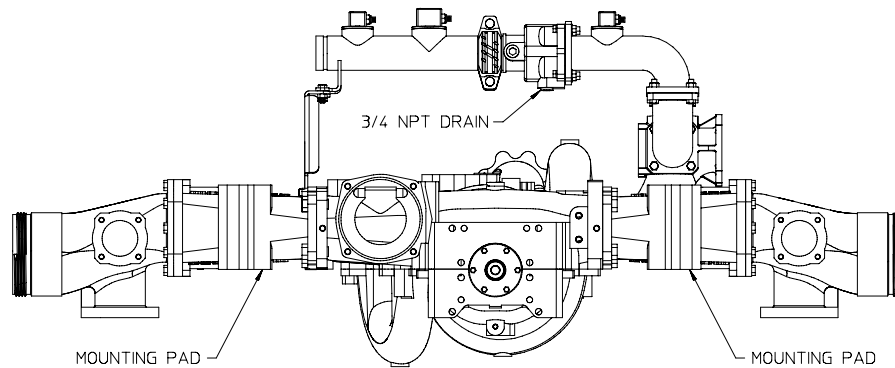
1. INSTRUCTION PLATE. (SEE DETAIL A ON PAGE 34).
2. OIT CONTROL MODULE (SEE DETAIL B ON PAGE 34).
3. INLET LINE STRAINER WITH NIPPLE (SEE DETAIL C ON PAGE 34).
4. ADVANTUS 3 FOAM PUMP (SEE DETAIL D ON PAGE 34)
5. FOAM INJECTION HOSE KIT (SEE DETAIL E ON PAGE 34)
6. MOLDED CABLE KIT.
7. OPTIONAL ACCESSORIES (SEE PAGE 35).

NOTE:

REAR INTAKE ADAPTER NOT AVAILABLE ON RIGHT SIDE.

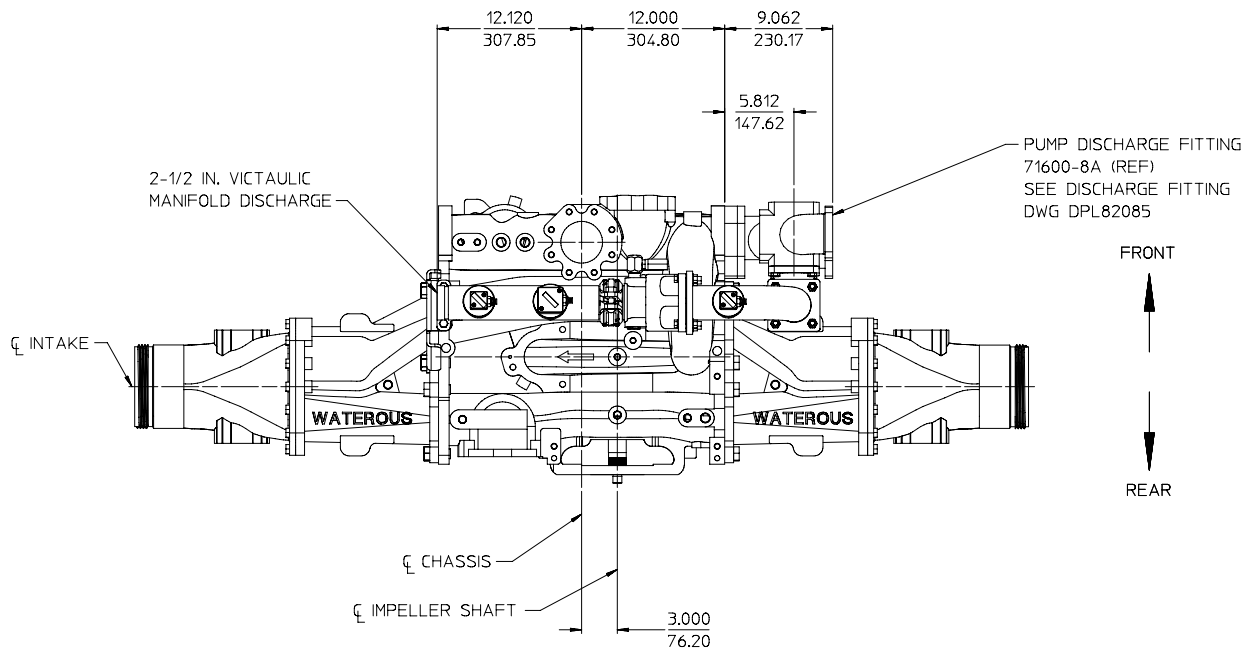
ALL DIMENSIONS SHOWN
AS INCH/MILLIMETER

(
INCH
MILLIMETER)



**SEPARATELY MOUNTED ADVANTUS 3 FOAM PUMP
2-1/2 IN. MANIFOLD, LEFT HAND DISCHARGE OVER THE TOP OF PUMP
WITH 71441-30, 83074-30, 83074-31, OR 83074-32 PUMP DISCHARGE FITTING**

AVAILABLE ON IRON PUMPS WITH 4° ANGLE COMPENSATED BODIES ONLY



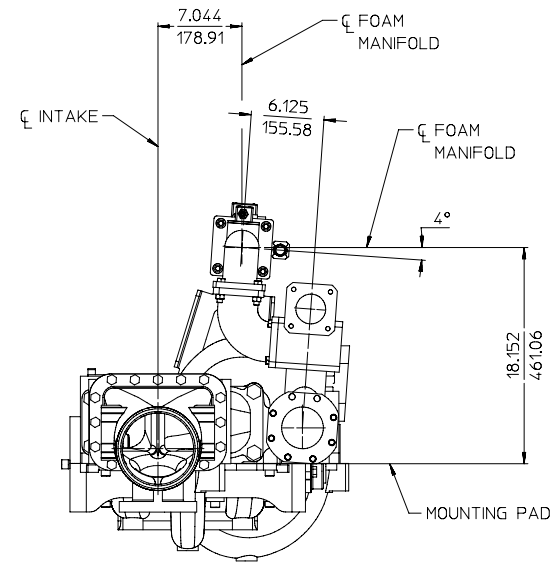
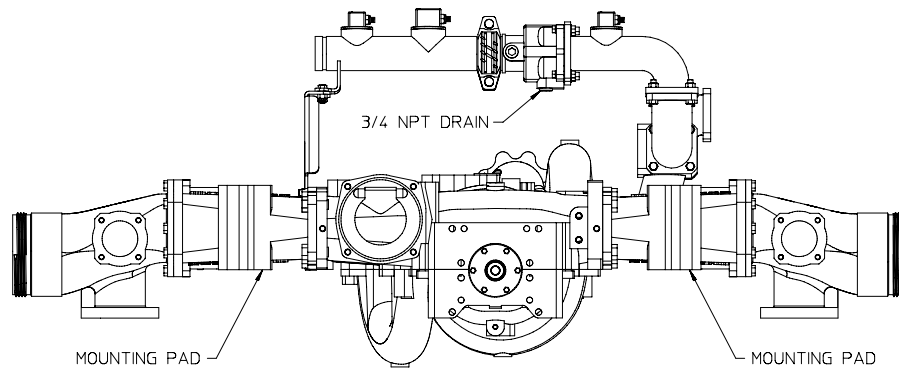
THE FOLLOWING ITEMS SHIPPED LOOSE:

1. INSTRUCTION PLATE. (SEE DETAIL A ON PAGE 34).
2. OIT CONTROL MODULE (SEE DETAIL B ON PAGE 34).
3. INLET LINE STRAINER WITH NIPPLE (SEE DETAIL C ON PAGE 34).
4. ADVANTUS 3 FOAM PUMP (SEE DETAIL D ON PAGE 34)
5. FOAM INJECTION HOSE KIT (SEE DETAIL E ON PAGE 34)
6. MOLDED CABLE KIT.
7. OPTIONAL ACCESSORIES (SEE PAGE 35).

NOTE:

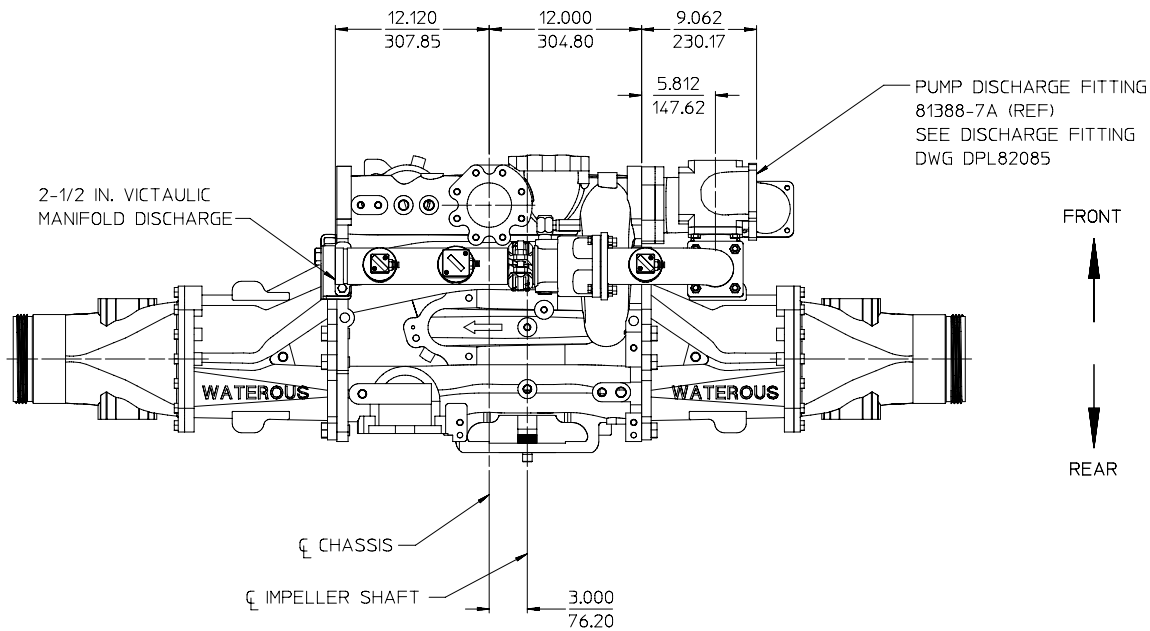
REAR INTAKE ADAPTER NOT AVAILABLE ON RIGHT SIDE.

ALL DIMENSIONS SHOWN
AS INCH/MILLIMETER
INCH
(MILLIMETER)



SEPARATELY MOUNTED ADVANTUS 3 FOAM PUMP
2-1/2 IN. MANIFOLD, LEFT HAND DISCHARGE OVER THE TOP OF PUMP
WITH 71600-8A PUMP DISCHARGE FITTING

AVAILABLE ON IRON PUMPS WITH 4° ANGLE COMPENSATED BODIES ONLY



THE FOLLOWING ITEMS SHIPPED LOOSE:

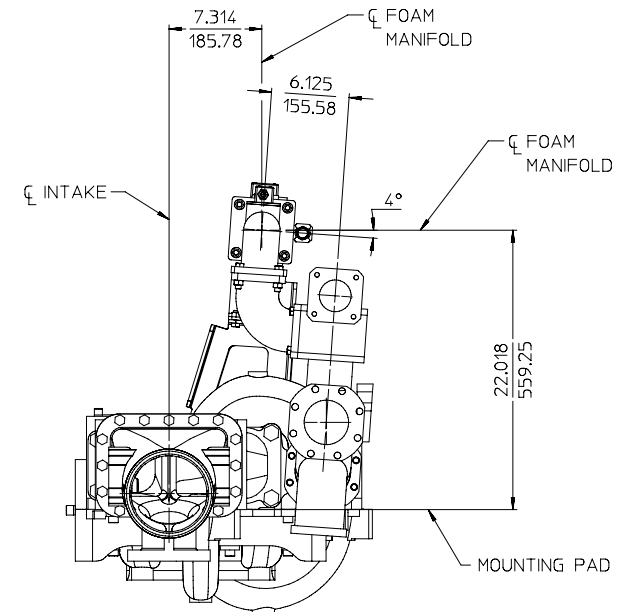
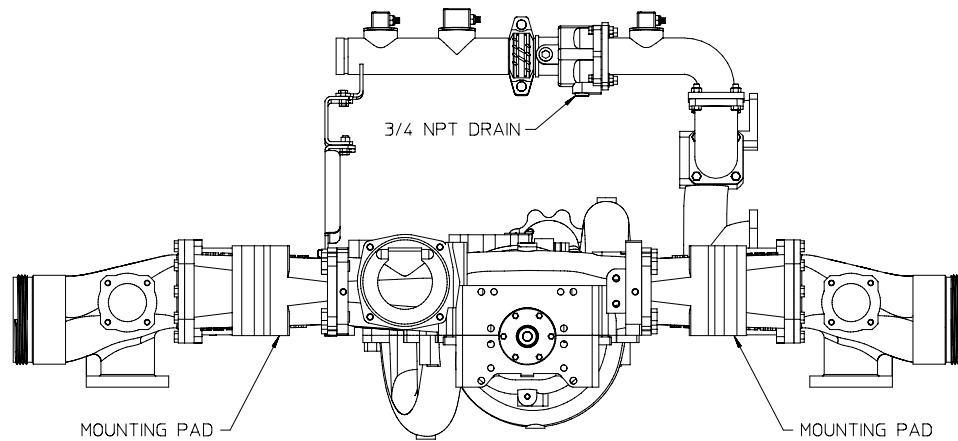
1. INSTRUCTION PLATE. (SEE DETAIL A ON PAGE 34).
2. OIT CONTROL MODULE (SEE DETAIL B ON PAGE 34).
3. INLET LINE STRAINER WITH NIPPLE (SEE DETAIL C ON PAGE 34).
4. ADVANTUS 3 FOAM PUMP (SEE DETAIL D ON PAGE 34)
5. FOAM INJECTION HOSE KIT (SEE DETAIL E ON PAGE 34)
6. MOLDED CABLE KIT.
7. OPTIONAL ACCESSORIES (SEE PAGE 35).

NOTE:

REAR INTAKE ADAPTER NOT AVAILABLE ON RIGHT SIDE.

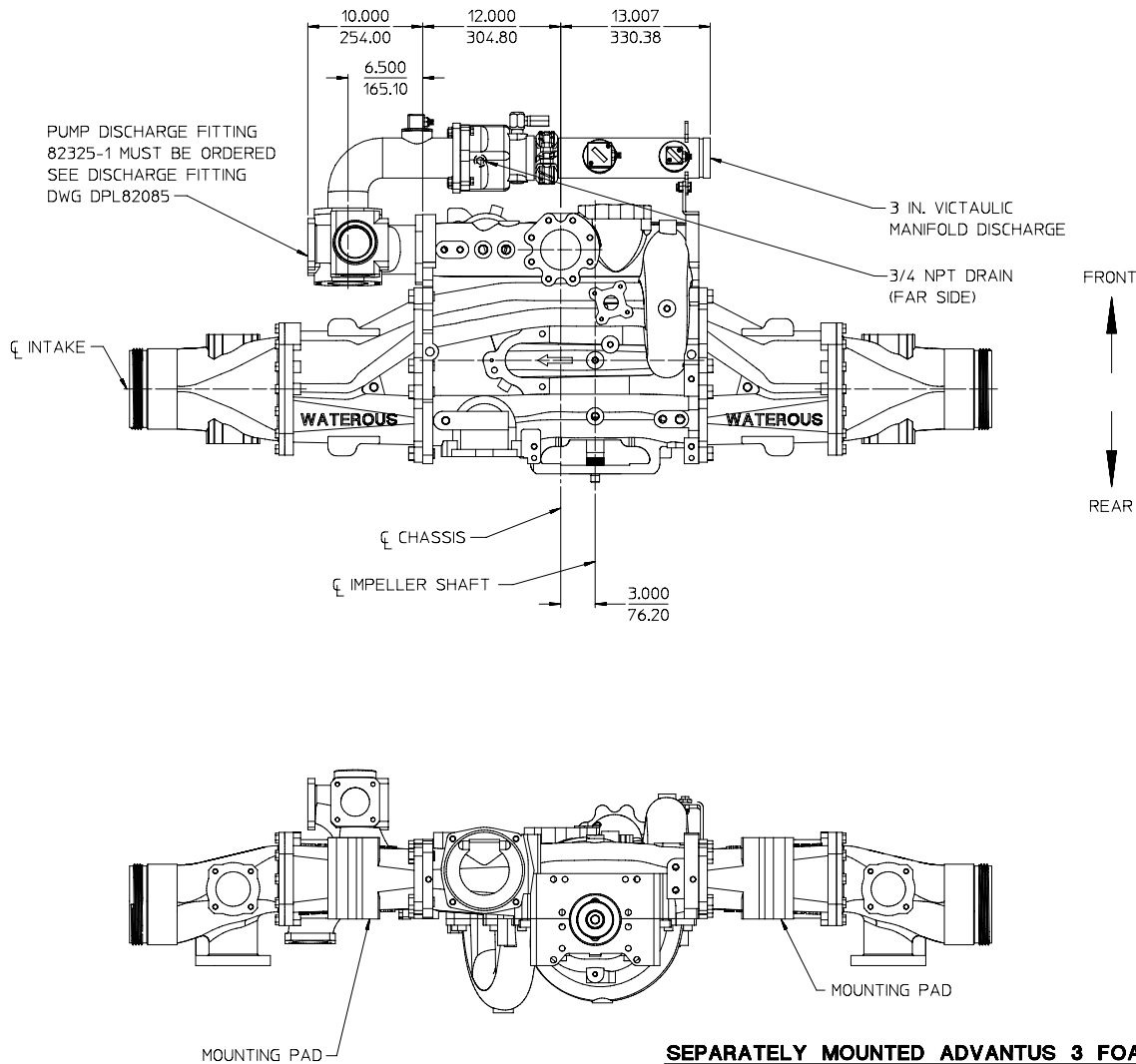
ALL DIMENSIONS SHOWN
AS INCH/MILLIMETER

(
INCH
MILLIMETER)



SEPARATELY MOUNTED ADVANTUS 3 FOAM PUMP
2-1/2 IN. MANIFOLD, LEFT HAND DISCHARGE OVER THE TOP OF PUMP
WITH 81388-7A PUMP DISCHARGE FITTING

AVAILABLE ON IRON PUMPS WITH 4° ANGLE COMPENSATED BODIES ONLY



THE FOLLOWING ITEMS SHIPPED LOOSE:

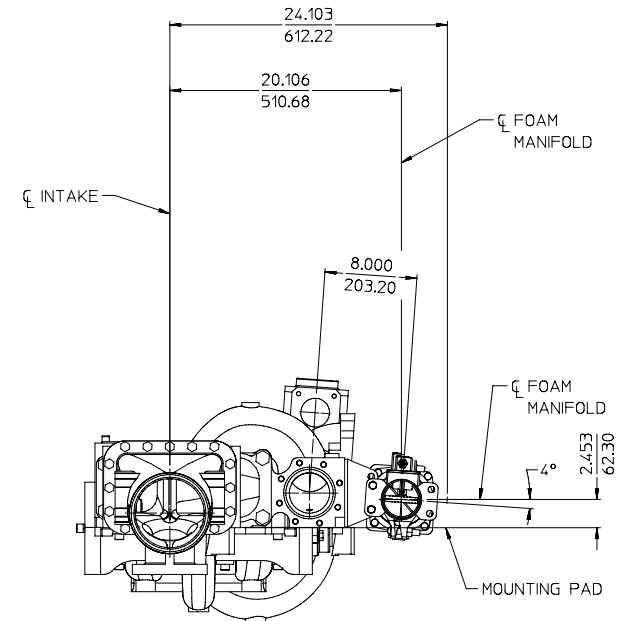
1. INSTRUCTION PLATE. (SEE DETAIL A ON PAGE 34).
2. OIT CONTROL MODULE (SEE DETAIL B ON PAGE 34).
3. INLET LINE STRAINER WITH NIPPLE (SEE DETAIL C ON PAGE 34).
4. ADVANTUS 3 FOAM PUMP (SEE DETAIL D ON PAGE 34)
5. FOAM INJECTION HOSE KIT (SEE DETAIL E ON PAGE 34)
6. MOLDED CABLE KIT.
7. OPTIONAL ACCESSORIES (SEE PAGE 35).

NOTE:

REAR INTAKE ADAPTER NOT AVAILABLE ON RIGHT SIDE.

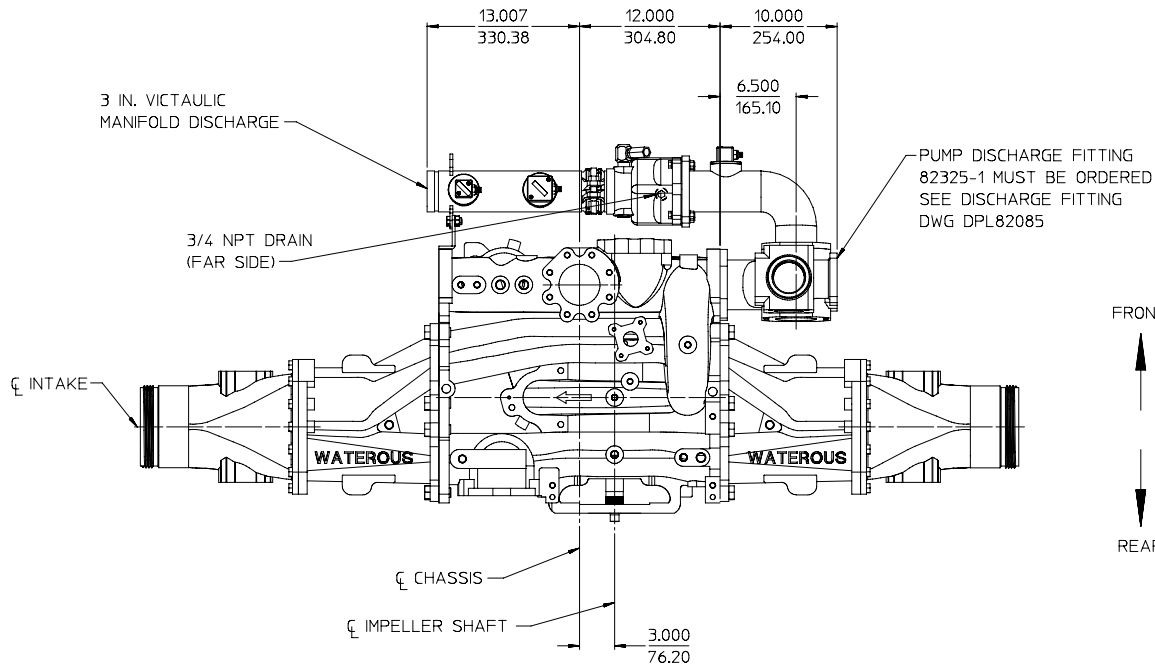
ALL DIMENSIONS SHOWN
AS INCH/MILLIMETER

($\frac{\text{INCH}}{\text{MILLIMETER}}$)



**SEPARATELY MOUNTED ADVANTUS 3 FOAM PUMP
3 IN. MANIFOLD, RIGHT HAND DISCHARGE ON THE FRONT OF PUMP
WITH 82325-1 PUMP DISCHARGE FITTING**

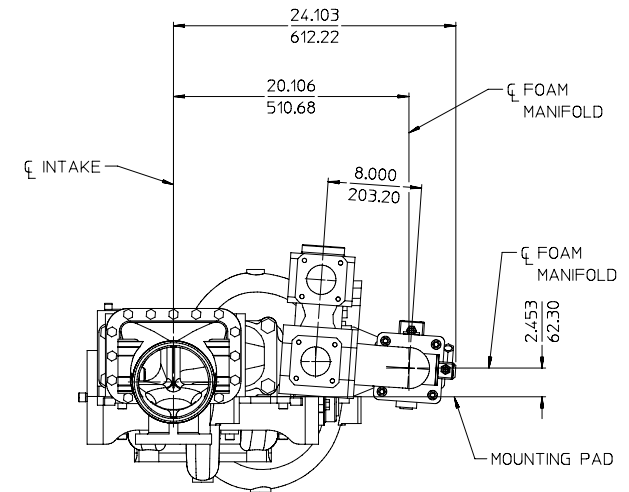
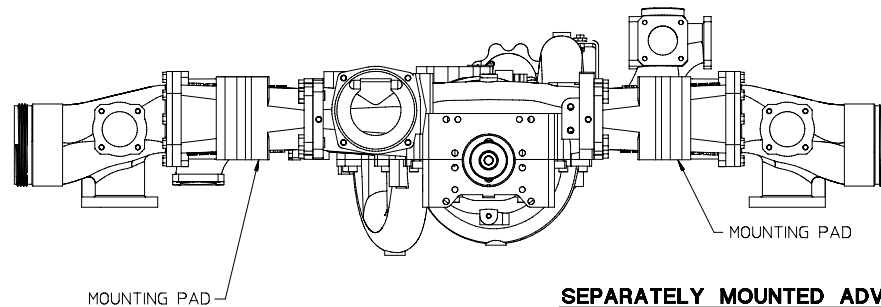
AVAILABLE ON IRON PUMPS WITH 4° ANGLE COMPENSATED BODIES ONLY



- THE FOLLOWING ITEMS SHIPPED LOOSE:
1. INSTRUCTION PLATE. (SEE DETAIL A ON PAGE 34).
 2. OIT CONTROL MODULE (SEE DETAIL B ON PAGE 34).
 3. INLET LINE STRAINER WITH NIPPLE (SEE DETAIL C ON PAGE 34).
 4. ADVANTUS 3 FOAM PUMP (SEE DETAIL D ON PAGE 34)
 5. FOAM INJECTION HOSE KIT (SEE DETAIL E ON PAGE 34)
 6. MOLDED CABLE KIT.
 7. OPTIONAL ACCESSORIES (SEE PAGE 35).

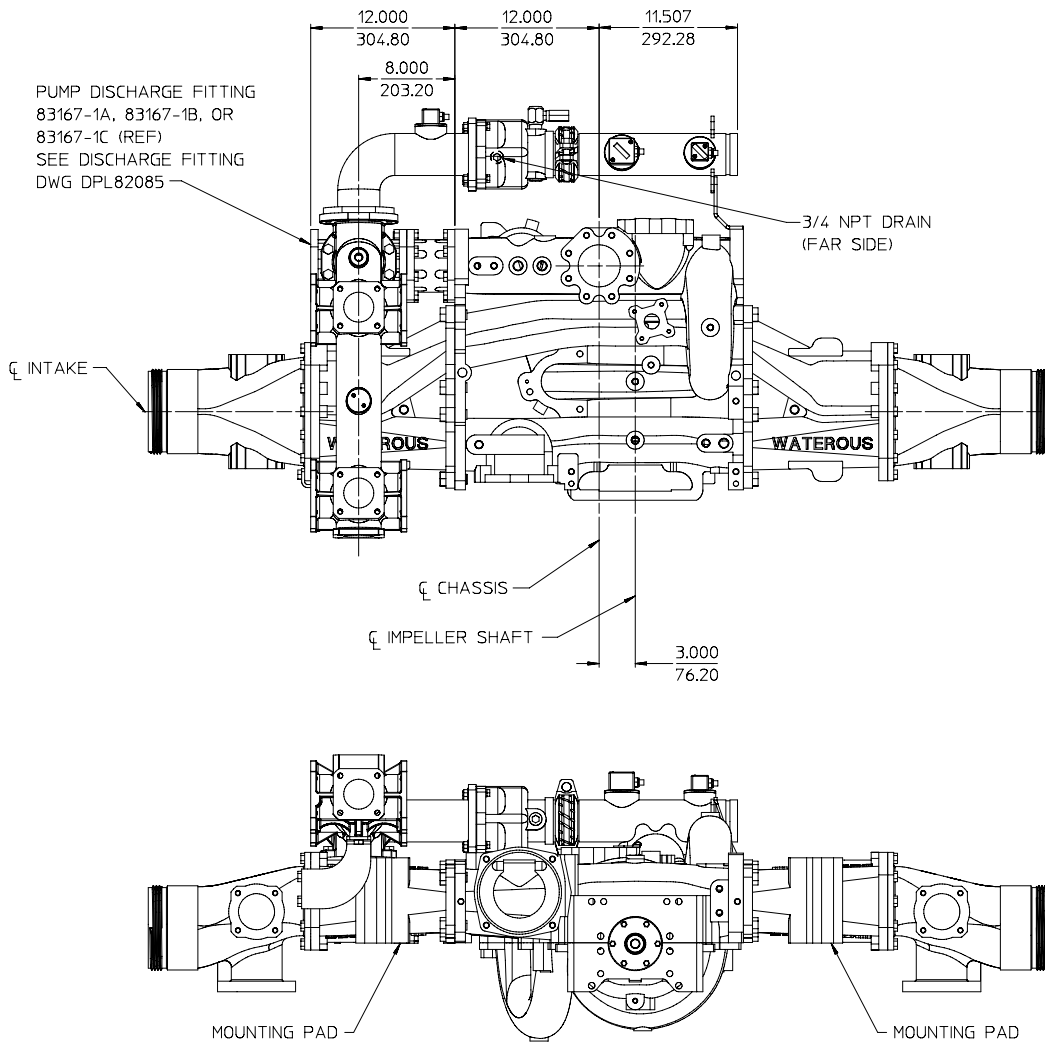
NOTE:
REAR INTAKE ADAPTER NOT AVAILABLE ON RIGHT SIDE.

ALL DIMENSIONS SHOWN
AS INCH/MILLIMETER
INCH
(MILLIMETER)



**SEPARATELY MOUNTED ADVANTUS 3 FOAM PUMP
3 IN. MANIFOLD, LEFT HAND DISCHARGE ON THE FRONT OF PUMP
WITH 82325-1 PUMP DISCHARGE FITTING**

AVAILABLE ON IRON PUMPS WITH 4° ANGLE COMPENSATED BODIES ONLY

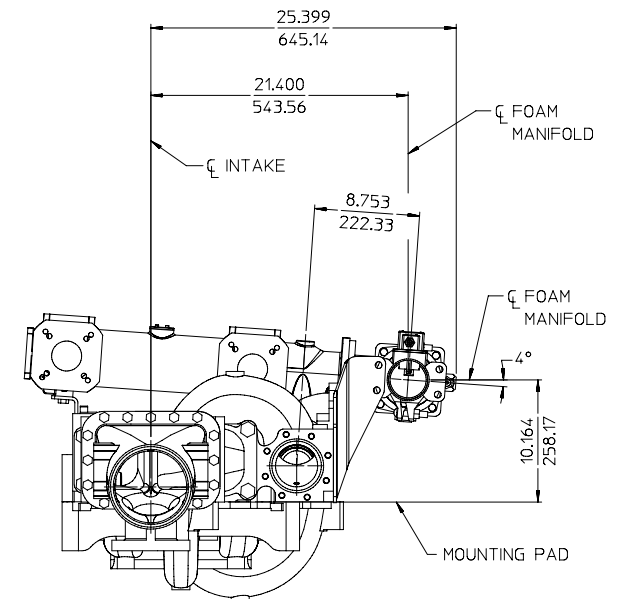


THE FOLLOWING ITEMS SHIPPED LOOSE:

1. INSTRUCTION PLATE. (SEE DETAIL A ON PAGE 34).
2. OIT CONTROL MODULE (SEE DETAIL B ON PAGE 34).
3. INLET LINE STRAINER WITH NIPPLE (SEE DETAIL C ON PAGE 34).
4. ADVANTUS 3 FOAM PUMP (SEE DETAIL D ON PAGE 34)
5. FOAM INJECTION HOSE KIT (SEE DETAIL E ON PAGE 34)
6. MOLDED CABLE KIT.
7. OPTIONAL ACCESSORIES (SEE PAGE 35).

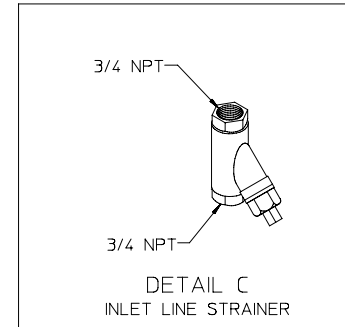
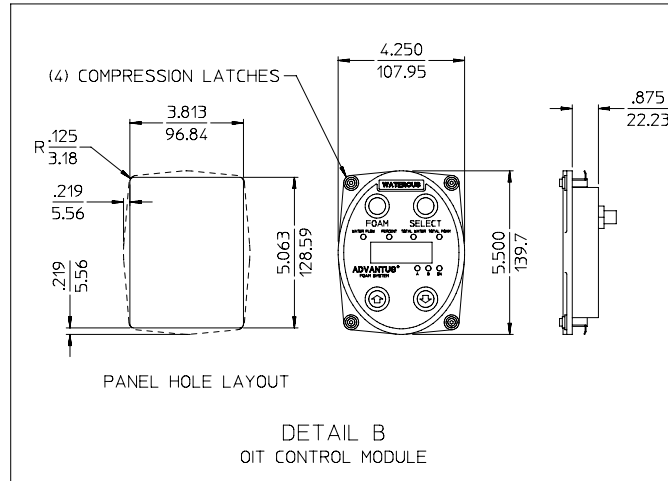
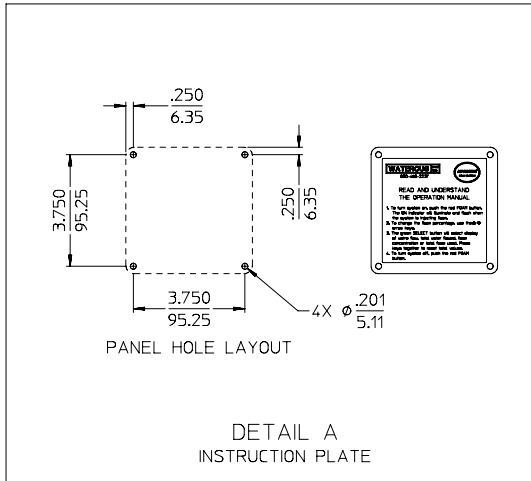
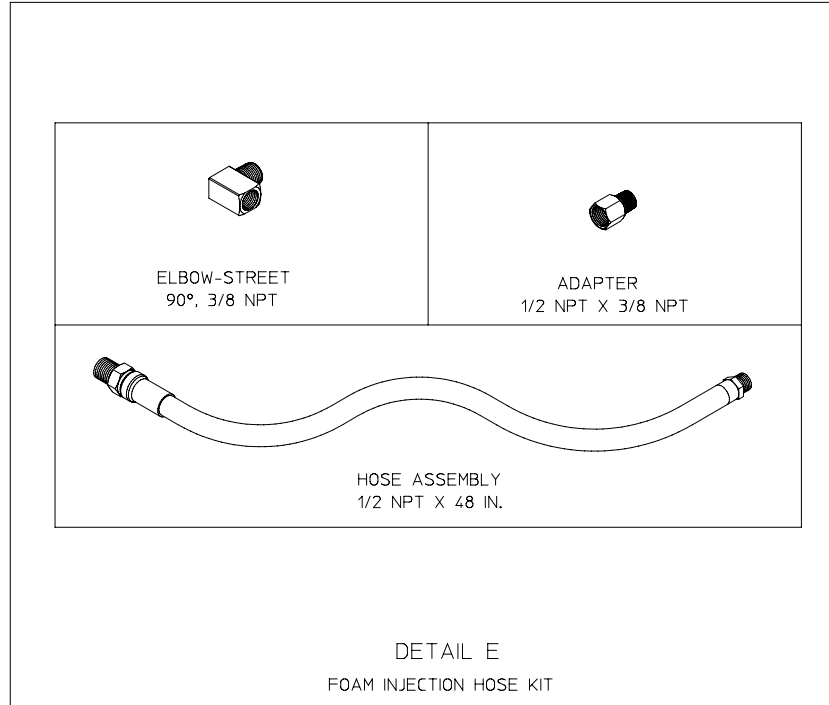
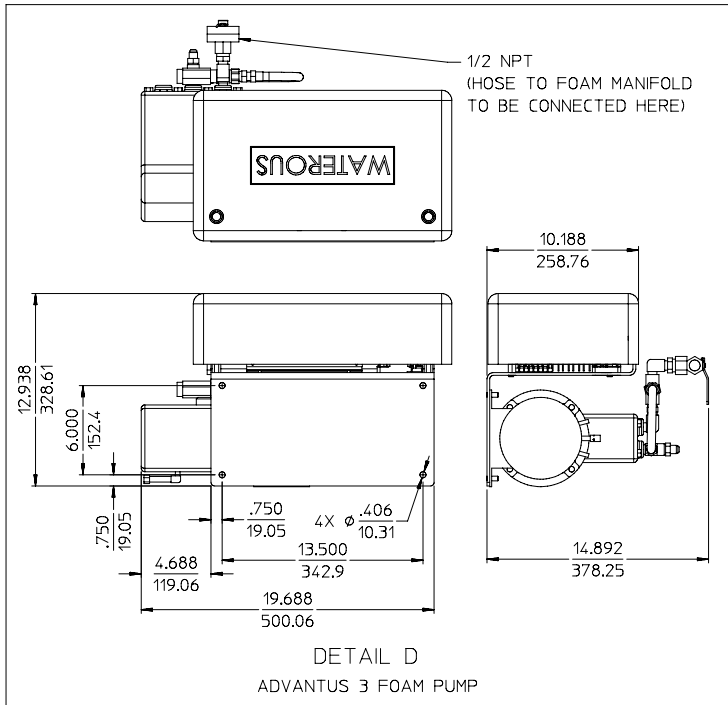
NOTE:
REAR INTAKE ADAPTER NOT AVAILABLE ON RIGHT SIDE.

ALL DIMENSIONS SHOWN
AS INCH/MILLIMETER
(INCH
MILLIMETER)



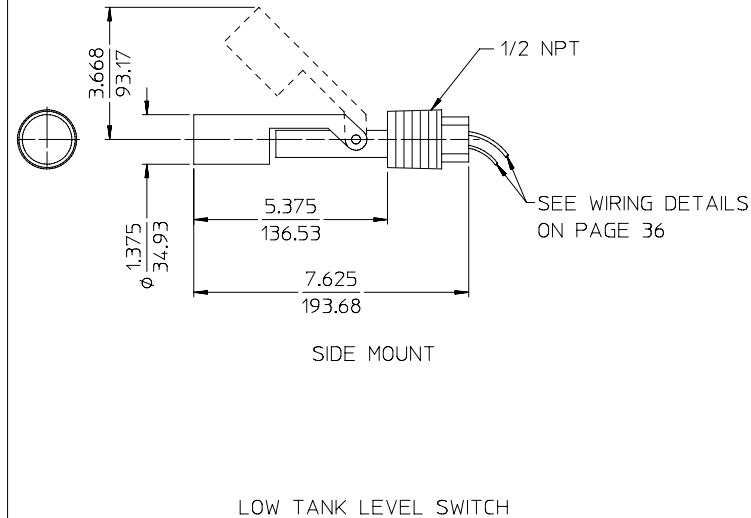
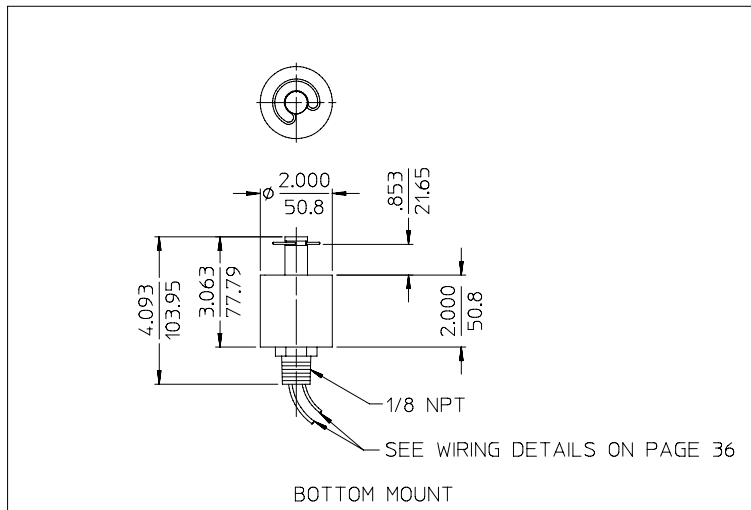
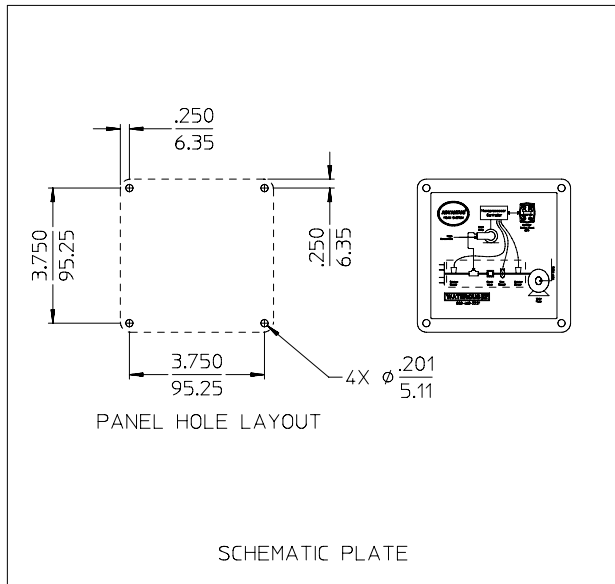
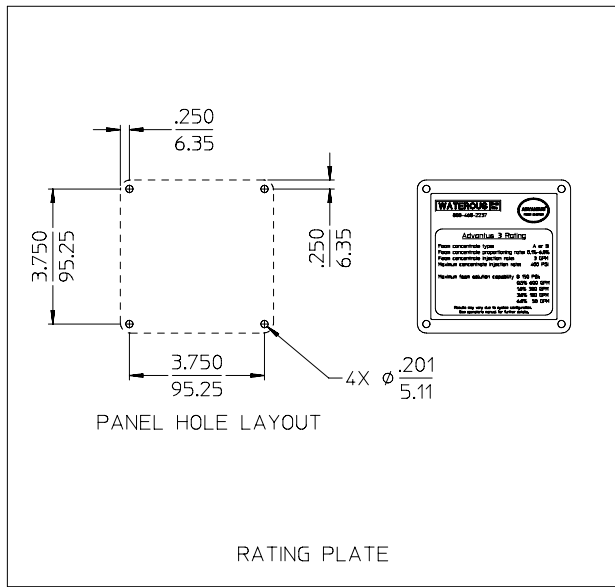
**SEPARATELY MOUNTED ADVANTUS 3 FOAM PUMP
3 IN. MANIFOLD, RIGHT HAND DISCHARGE ON THE FRONT OF PUMP
WITH 83167-1A, 83167-1B, OR 83167-1C PUMP DISCHARGE MANIFOLD**

AVAILABLE ON IRON PUMPS WITH 4° ANGLE COMPENSATED BODIES ONLY



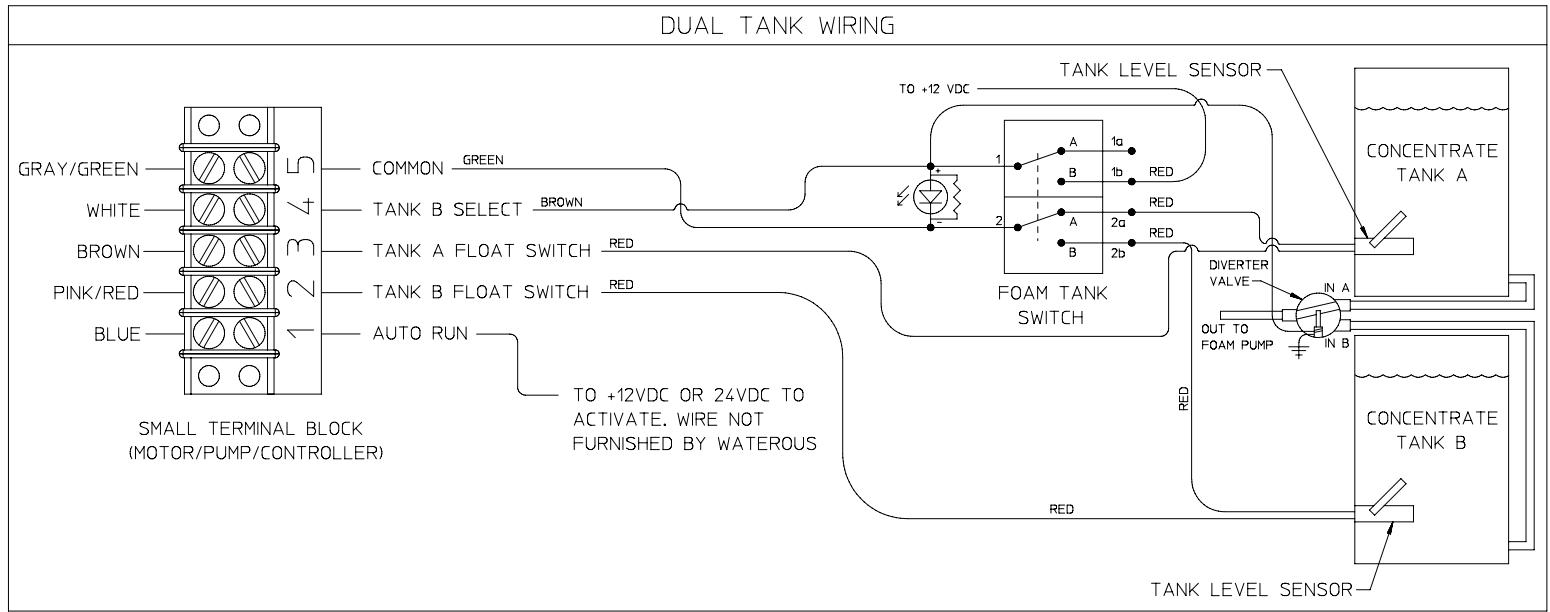
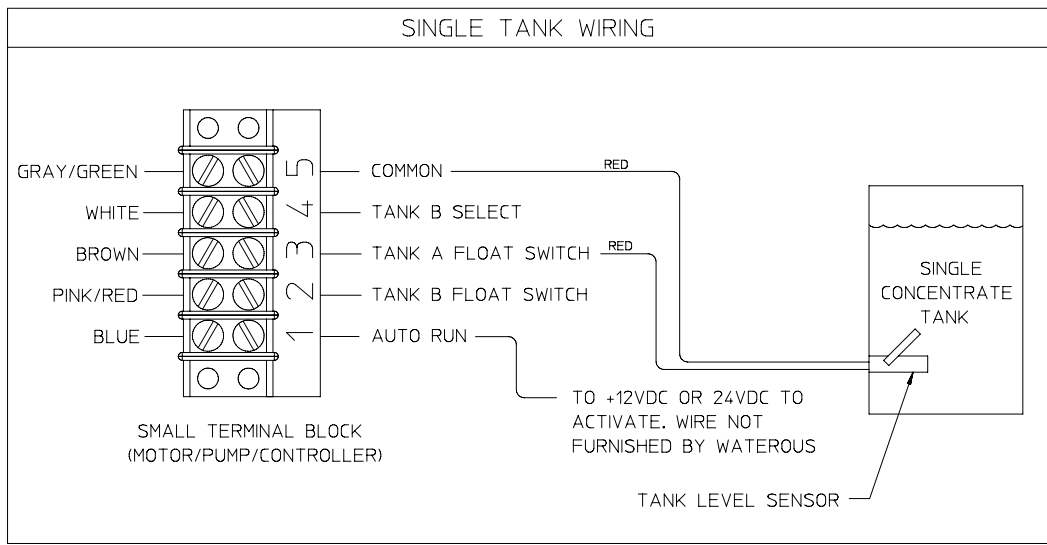
ALL DIMENSIONS SHOWN
AS INCH/MILLIMETER
($\frac{\text{INCH}}{\text{MILLIMETER}}$)

ITEMS SHIPPED LOOSE
FOR PUMPS WHERE ADVANTUS FOAM PUMP IS SEPARATELY MOUNTED



OPTIONAL ACCESSORIES

ALL DIMENSIONS SHOWN
AS INCH/MILLIMETER
($\frac{\text{INCH}}{\text{MILLIMETER}}$)



TANK LEVEL SWITCH WIRING