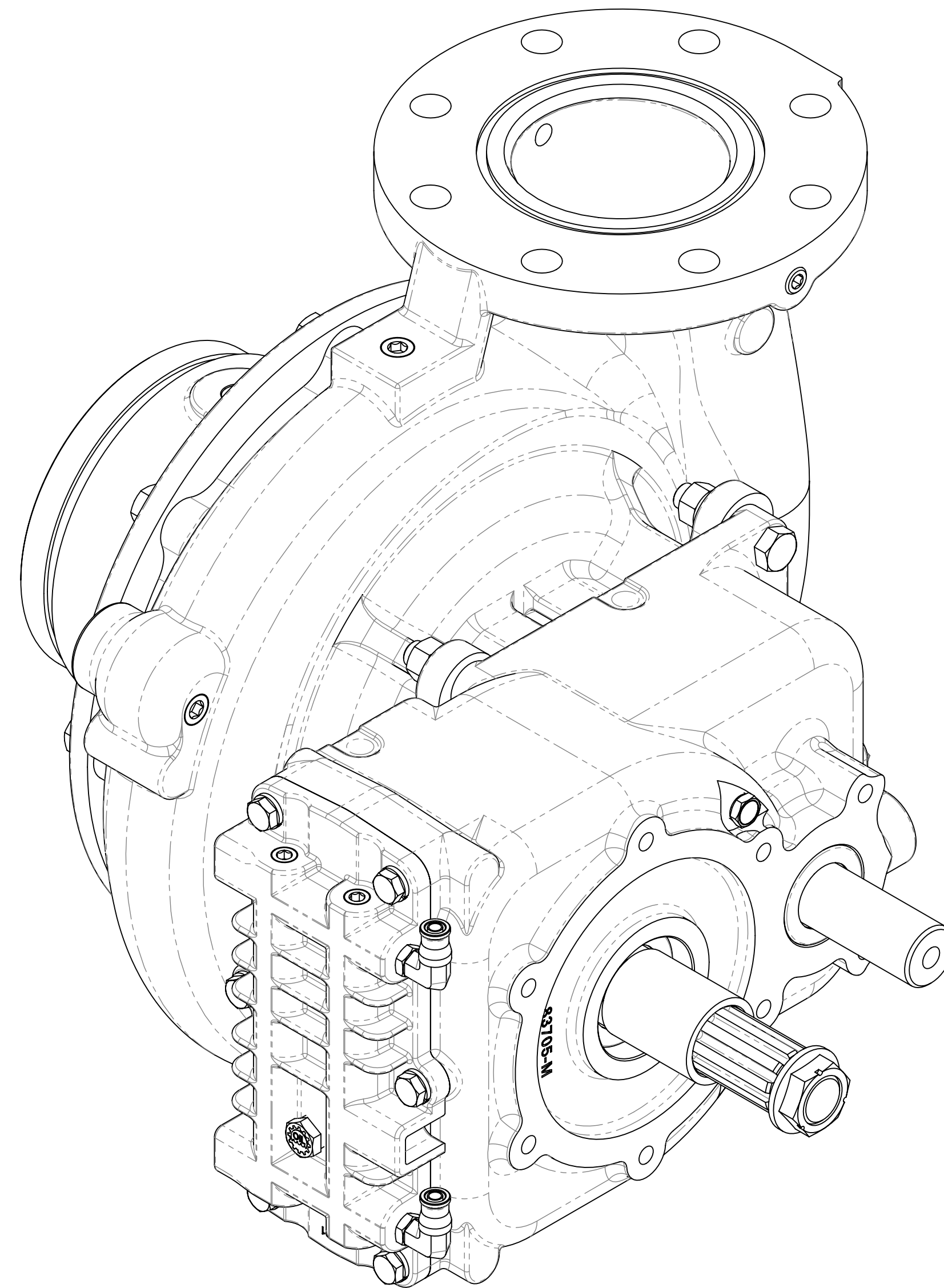


CXVK Fire Pump with Extended Driven Shaft Dimensional Drawings

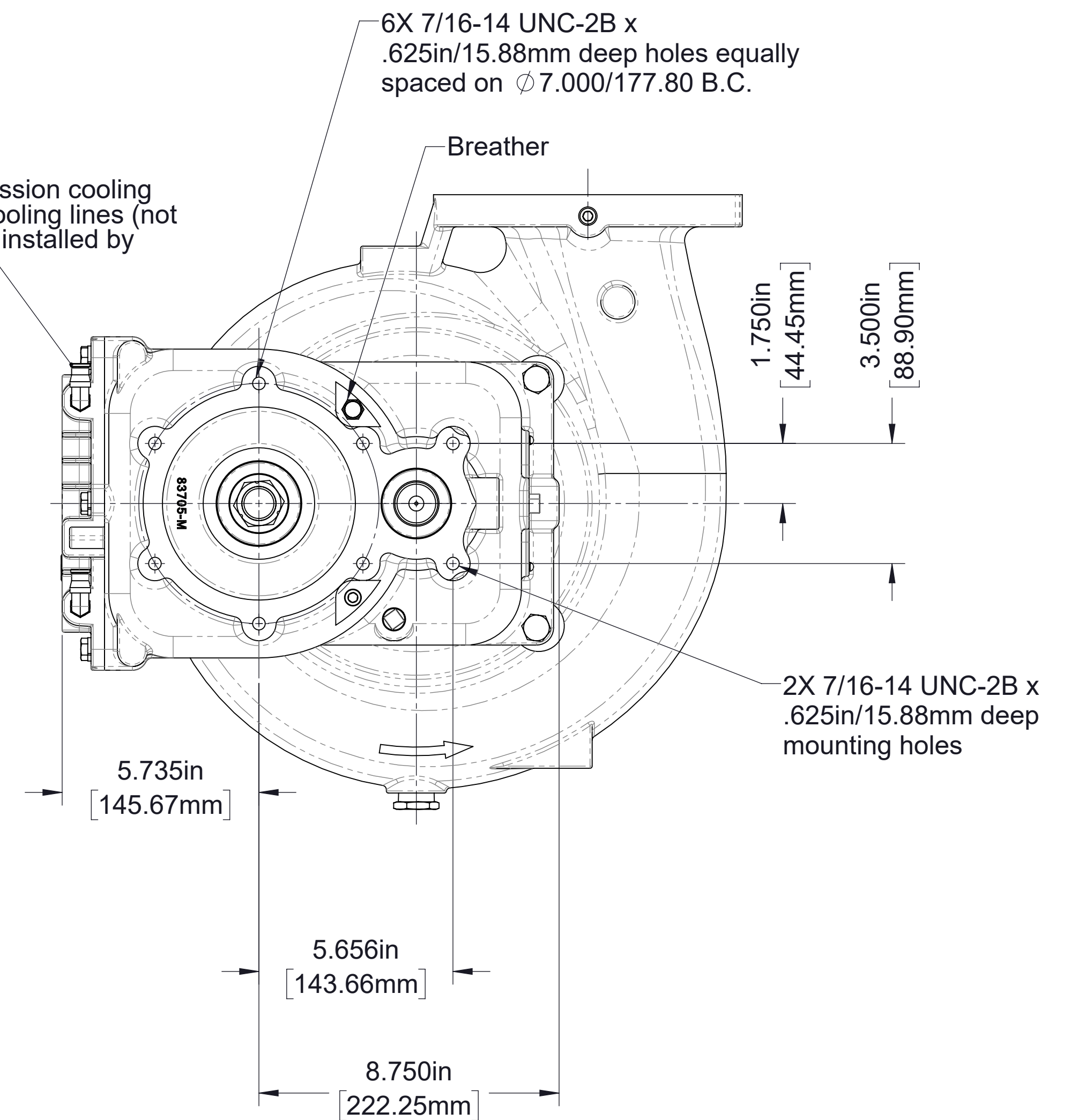
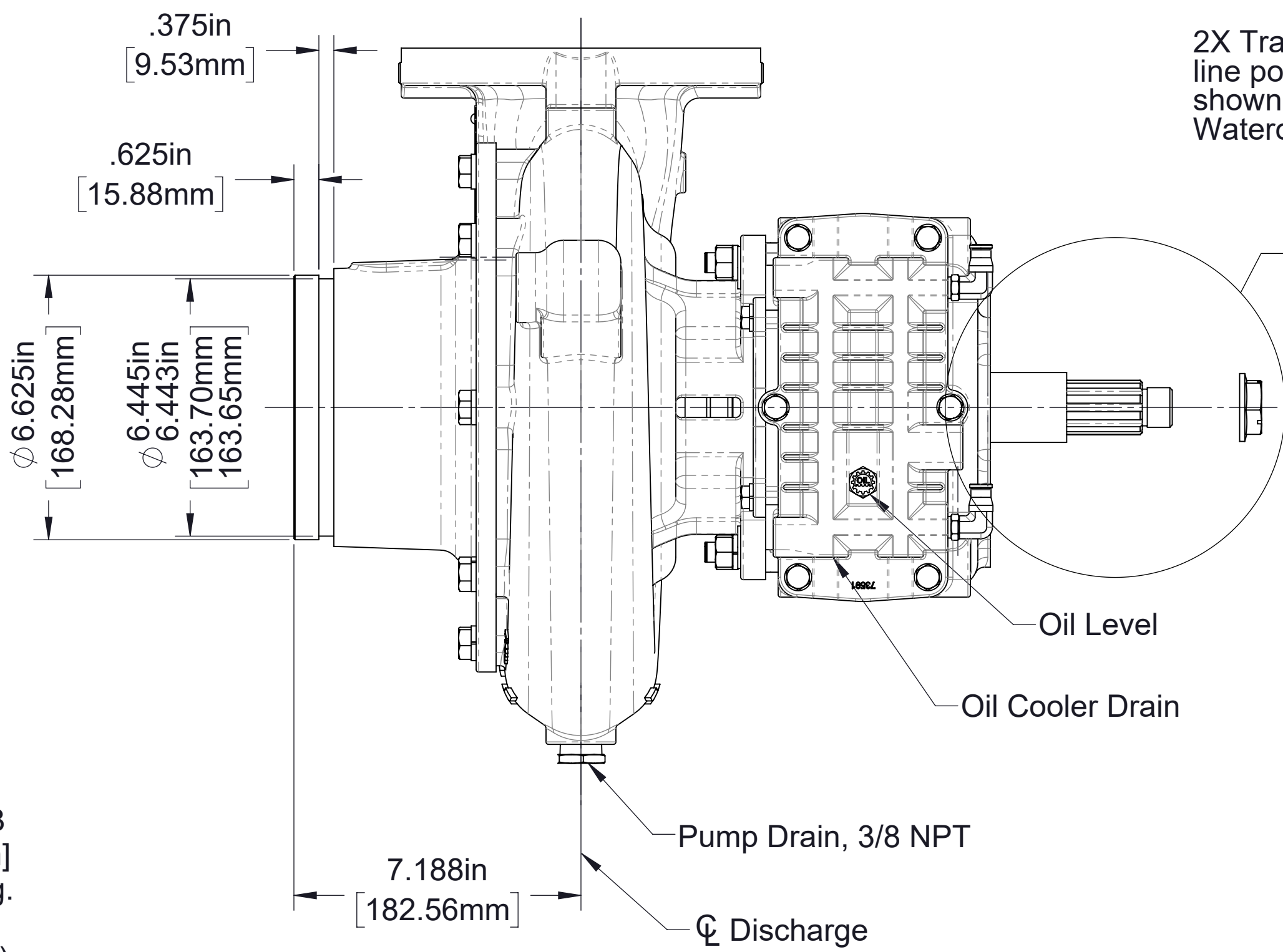
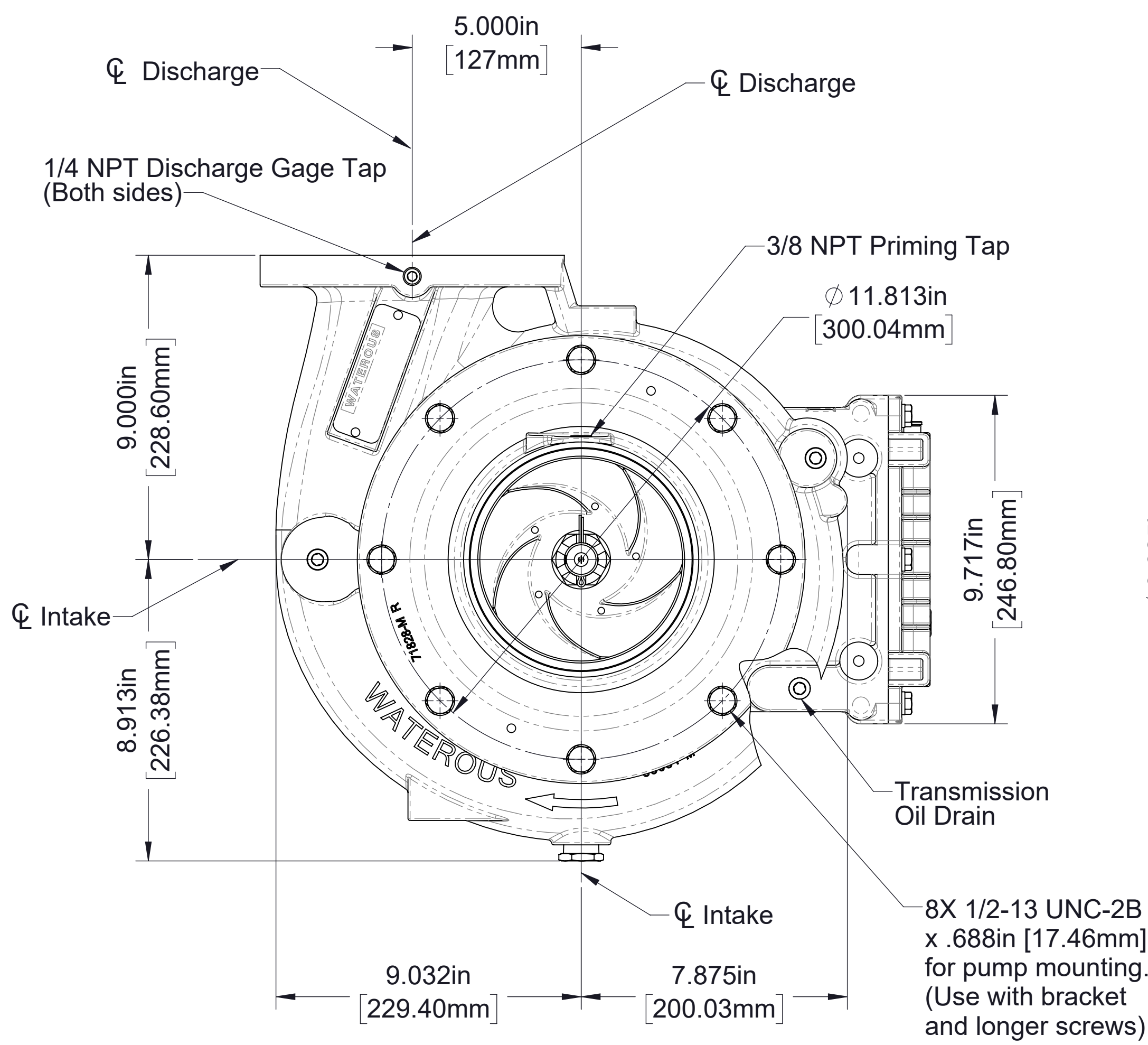
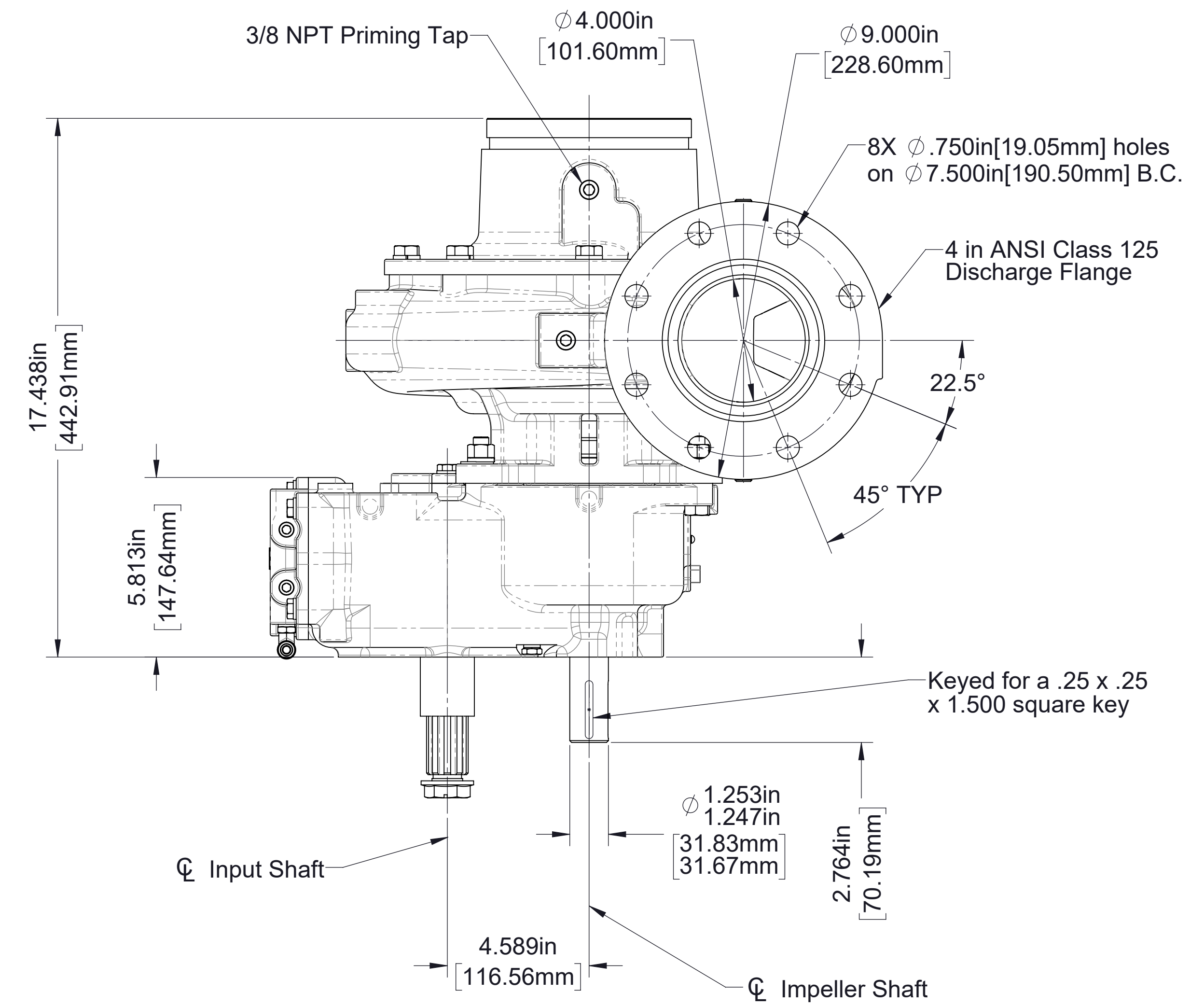
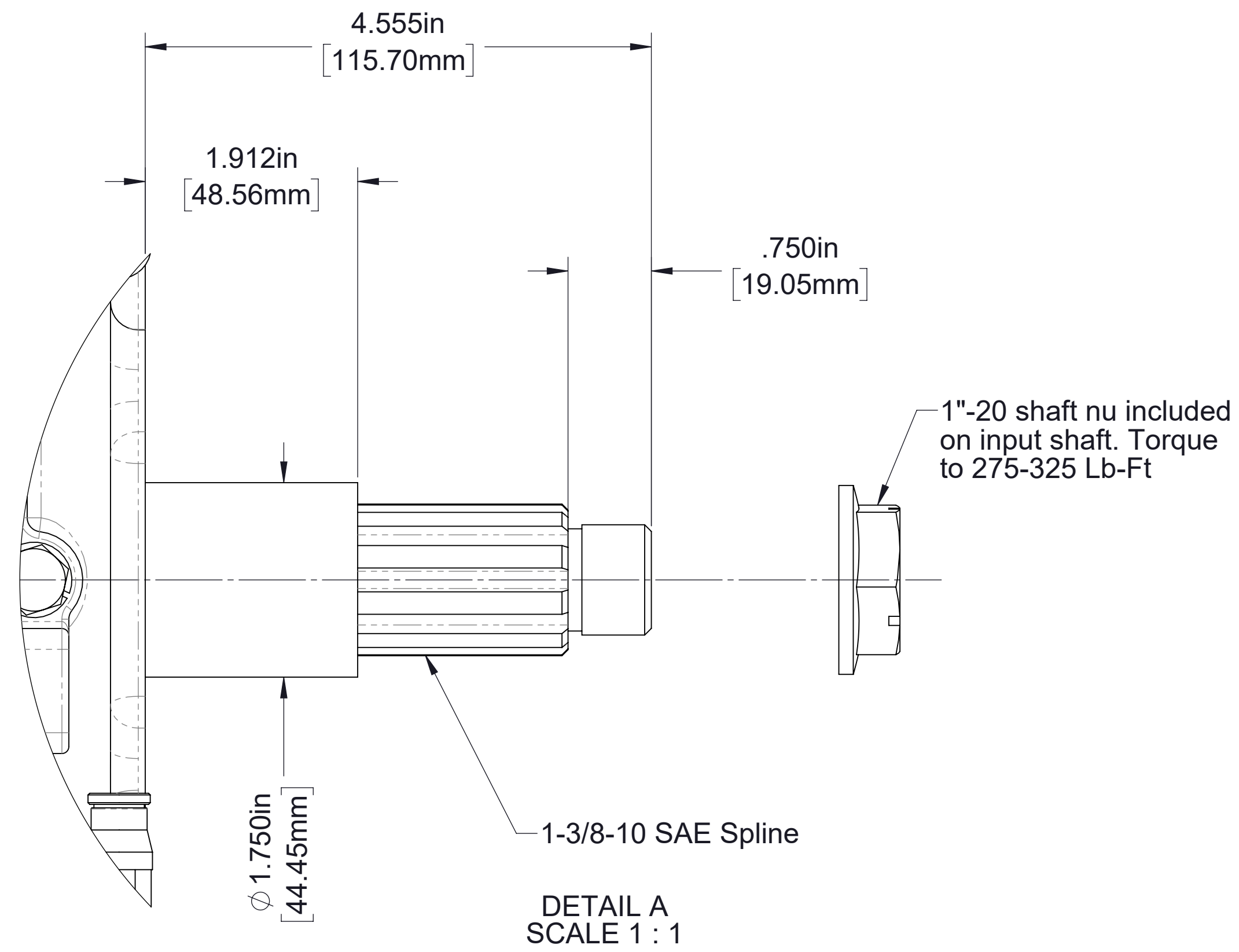
Pump Model	Transmission	Input Rotation (1)	Impeller Rotation (2)	Discharge Position	Transmission Position	Input Shaft	See Page
CXVK	K series, Two Gear Increaser Witout Clutch, PTO Drive	CW	CW	Up	Left (Horizontal)	1-3/8-10 SAE Spline	2

Notes:

1. Input rotation is viewed looing directly at the transmission input shaft.
2. Impeller rotation is viewed looking directly at the intake fitting (impeller eye)



Note: Pump must be installed in accordance with Waterous Installation Instructions.



CXVK with Extended Driven Shaft Dimensions

Available configured as follows:
 Input rotation: CW
 Discharge: Up
 Transmission: Left